



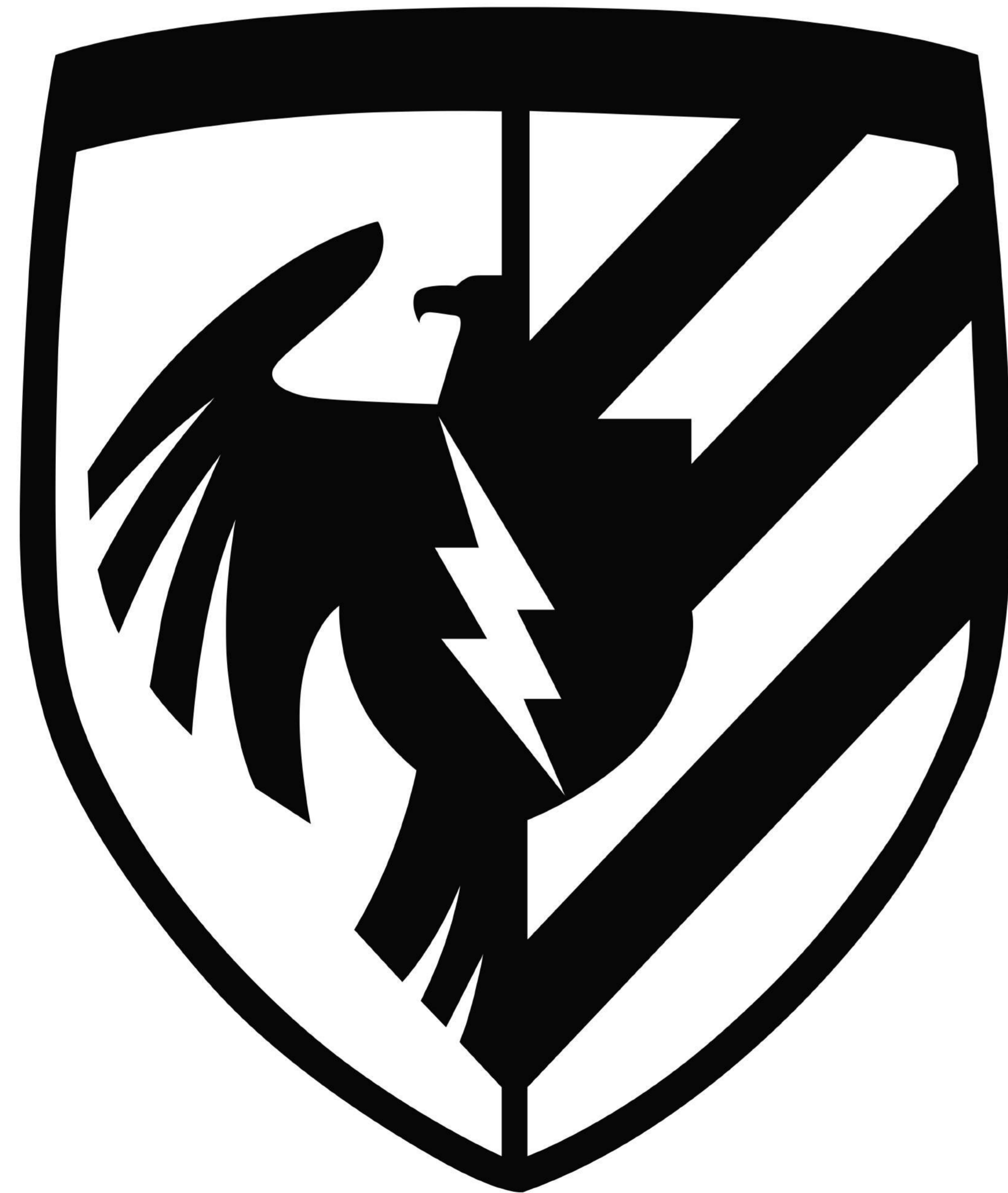
HICON



Instruction

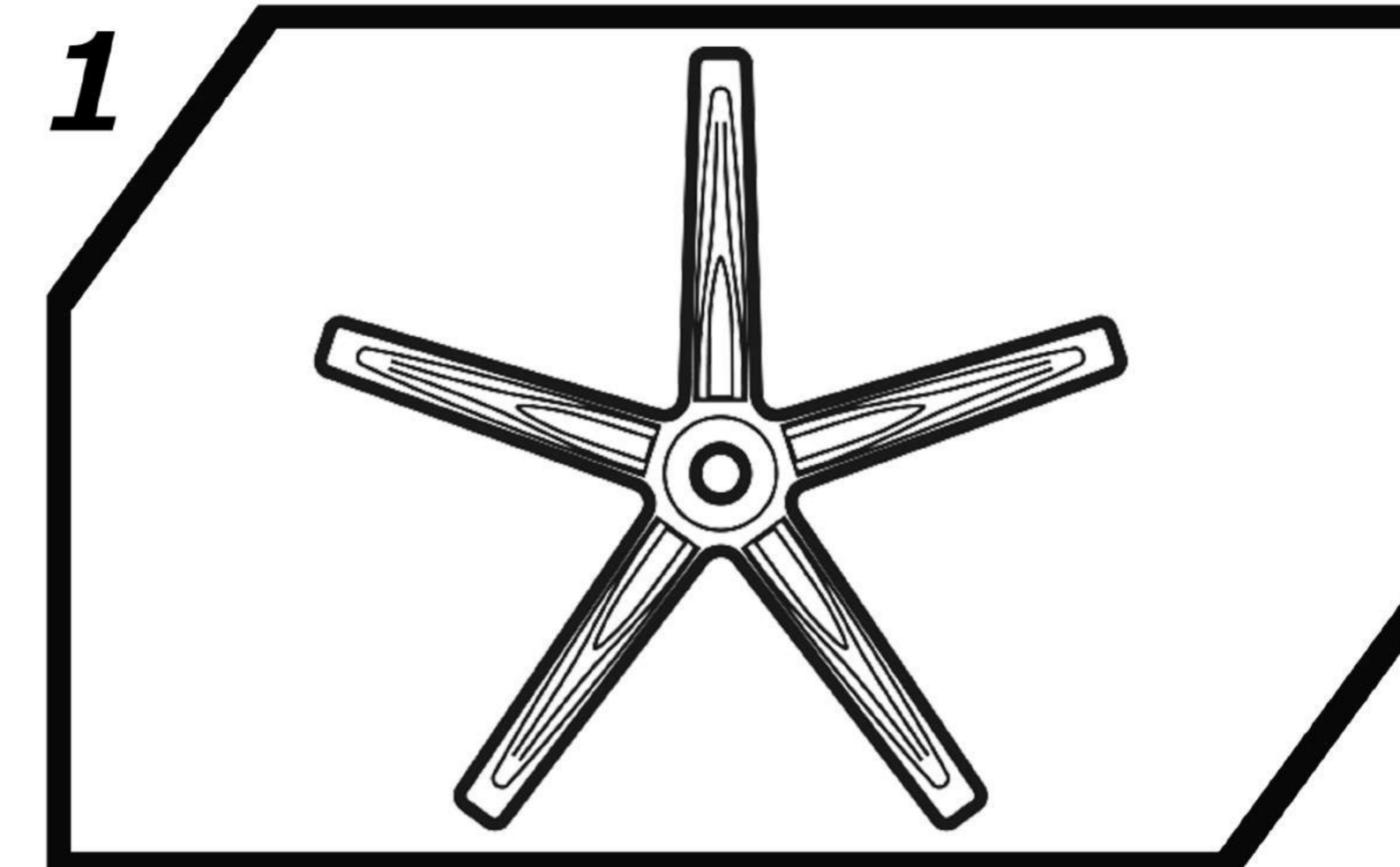
Before Assembly

- This manual explains matters that you should be aware of before using the product to prevent harm to you and others and damage to property. Please be sure to observe it for safe use.
- Please read this manual carefully before use and use it correctly and safely.
- The contents of this manual and precautions for use describe precautions for preventing misuse and accidents. Please keep it carefully and read it when necessary.
- When renting or transferring the product to a third party, be sure to attach this manual and fully explain how to handle it.

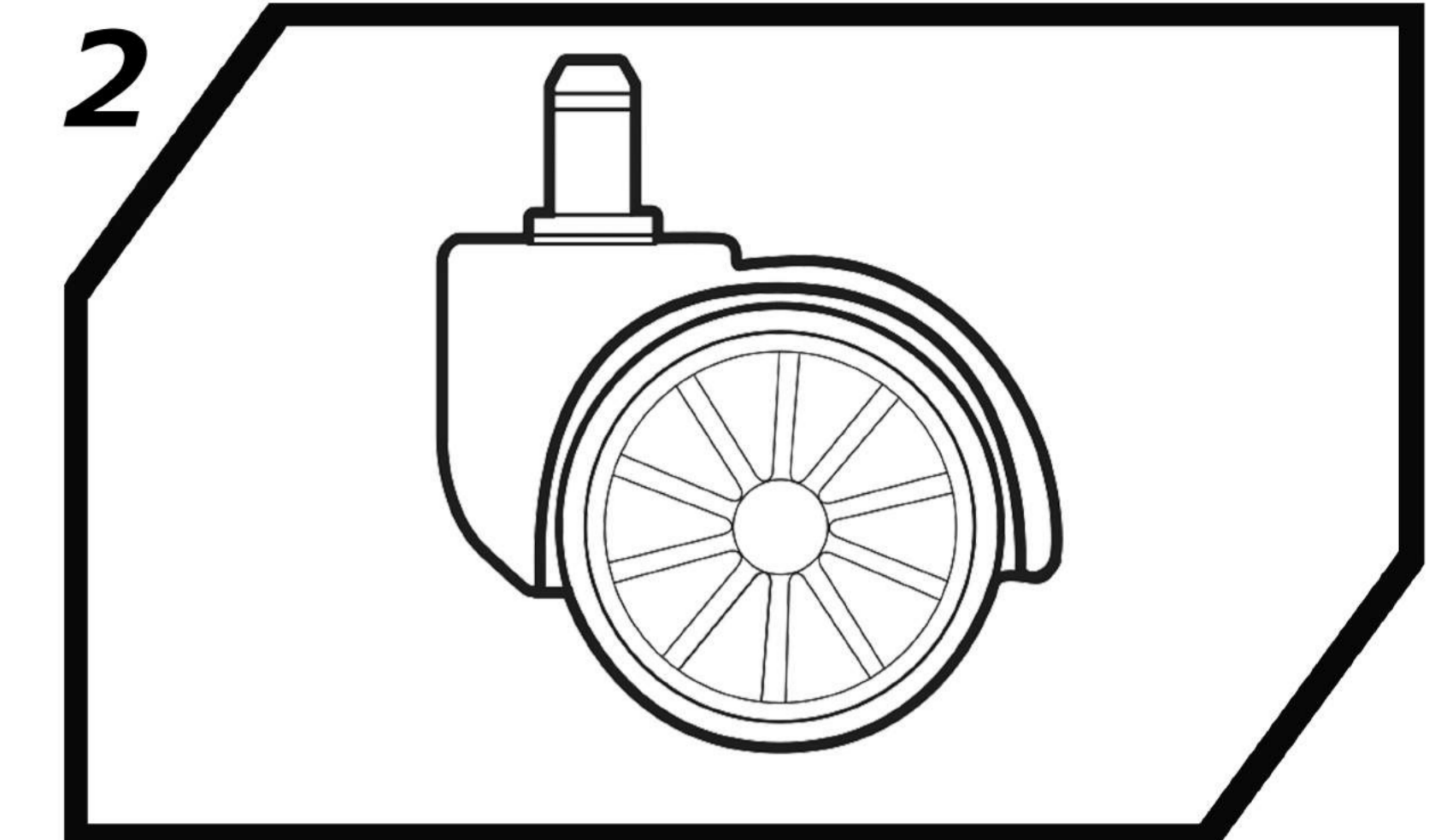


I. Parts Checking

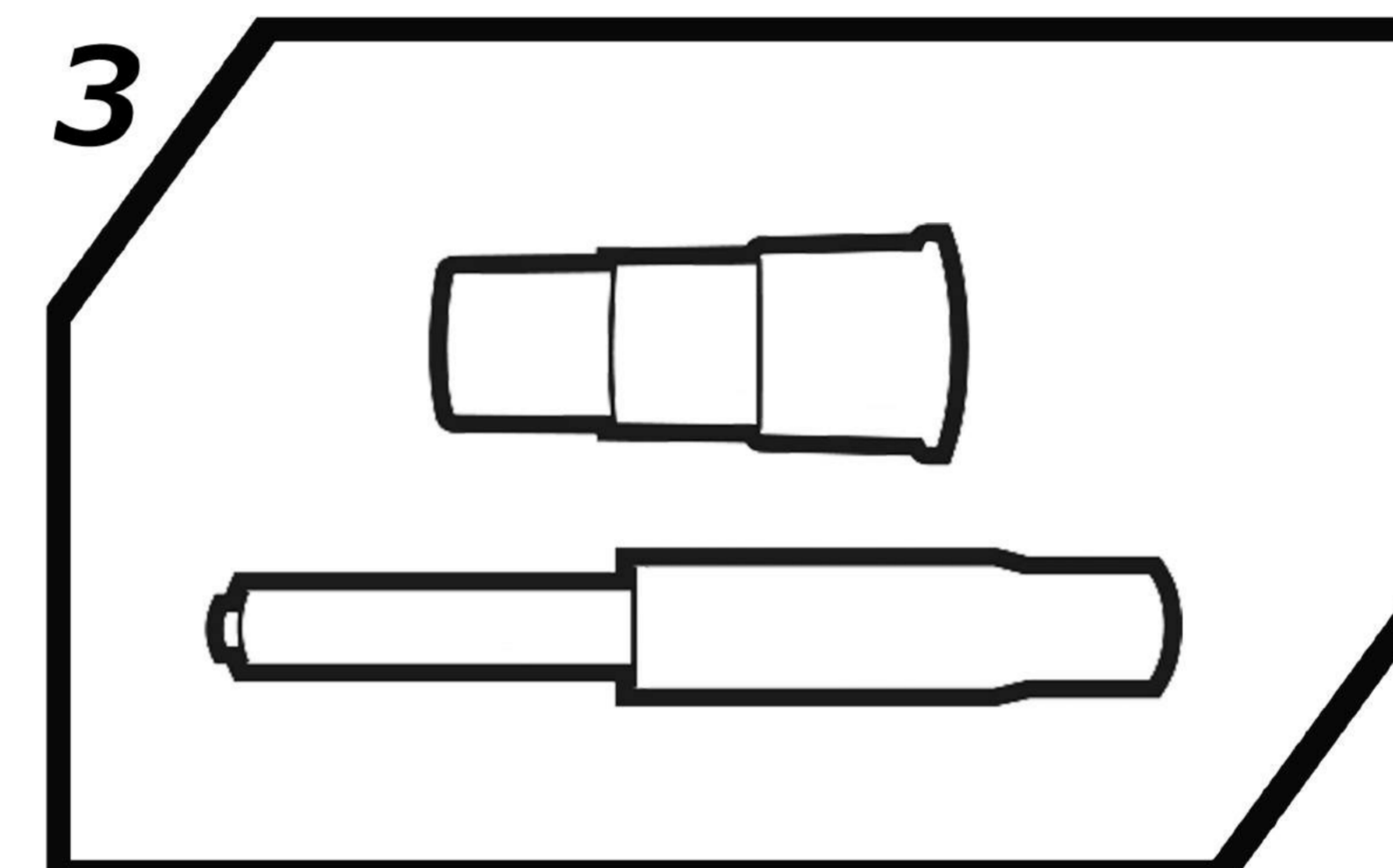
*Actual products may vary from image



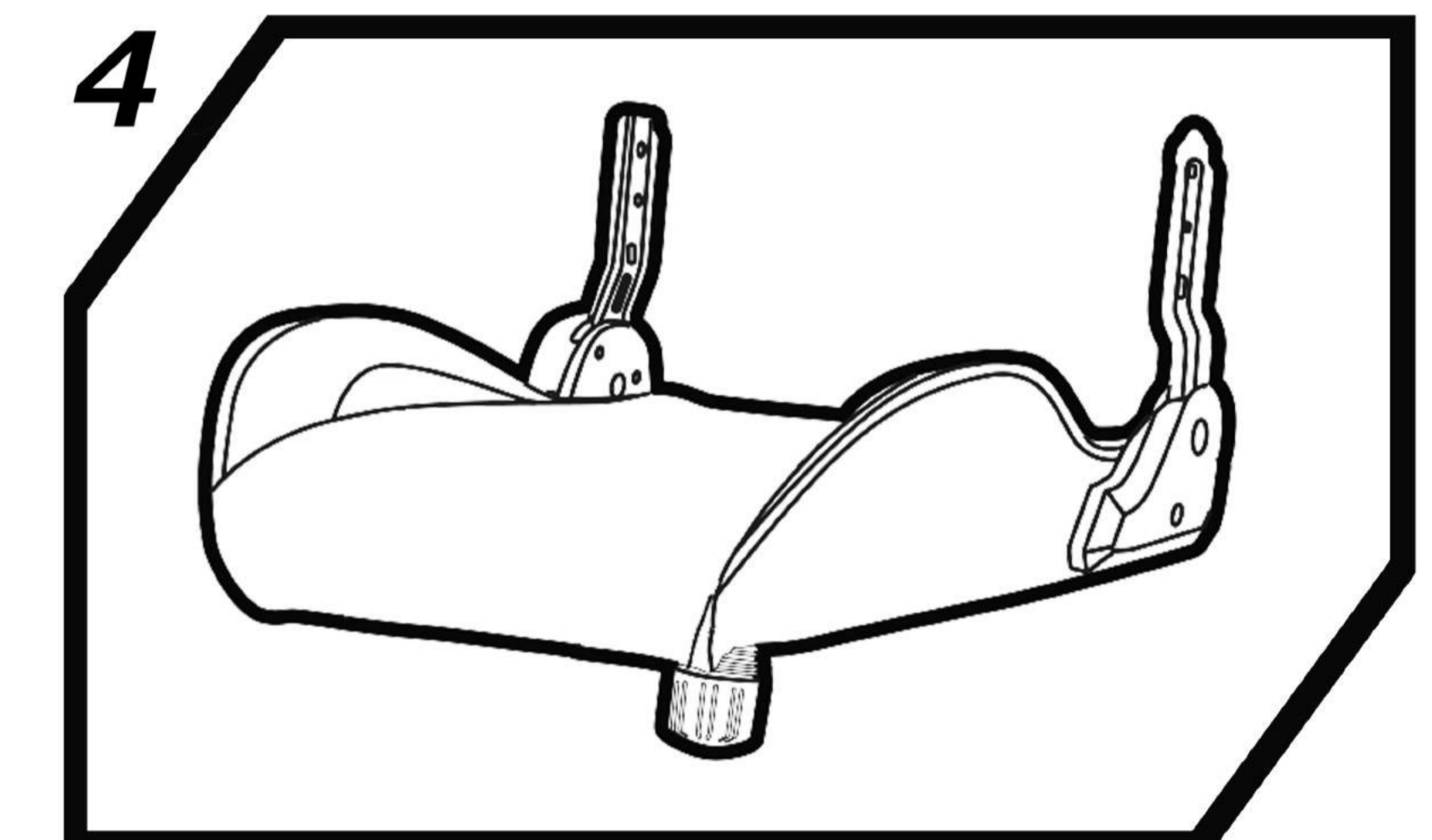
Base 1pcs



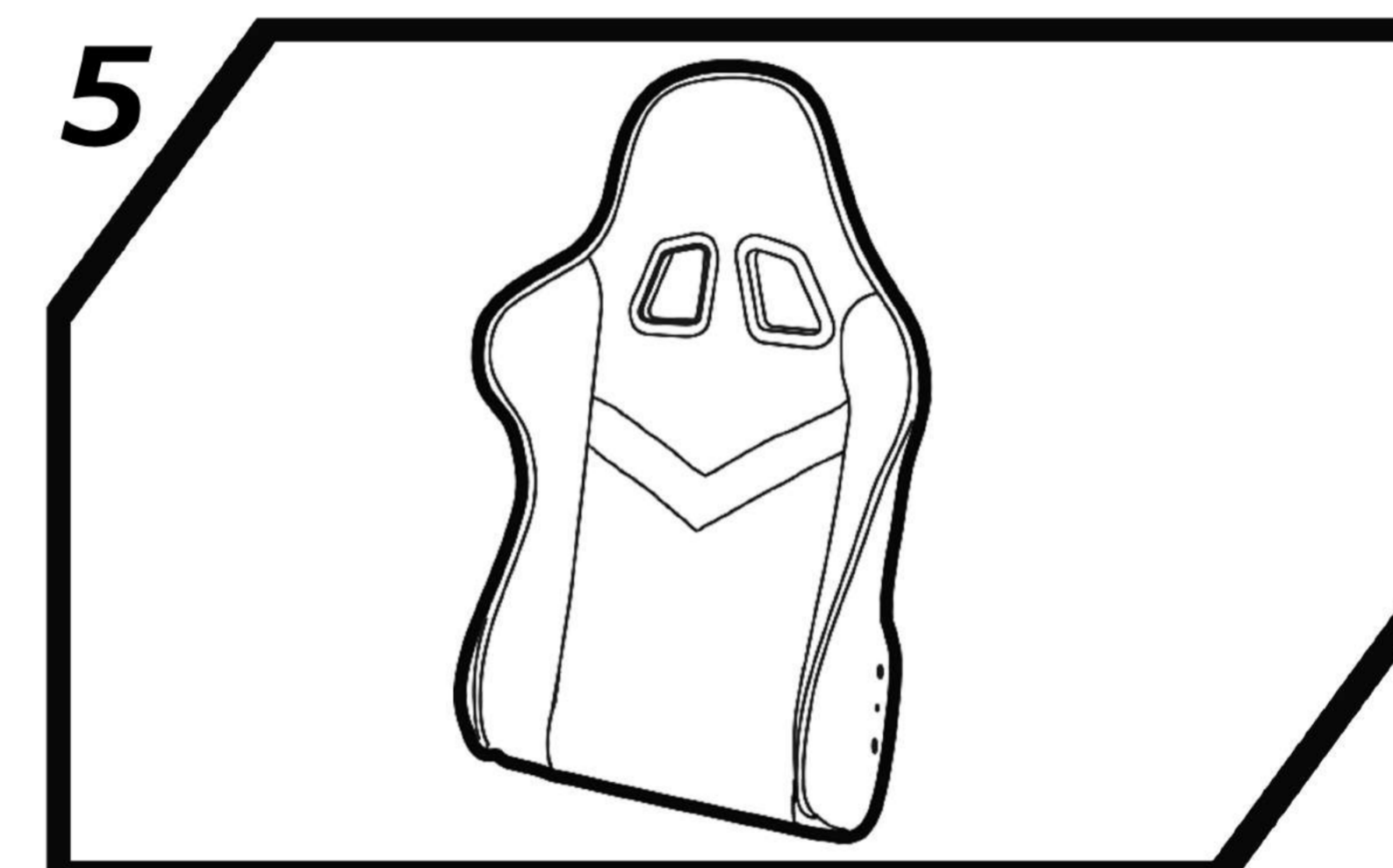
Wheel 5pcs



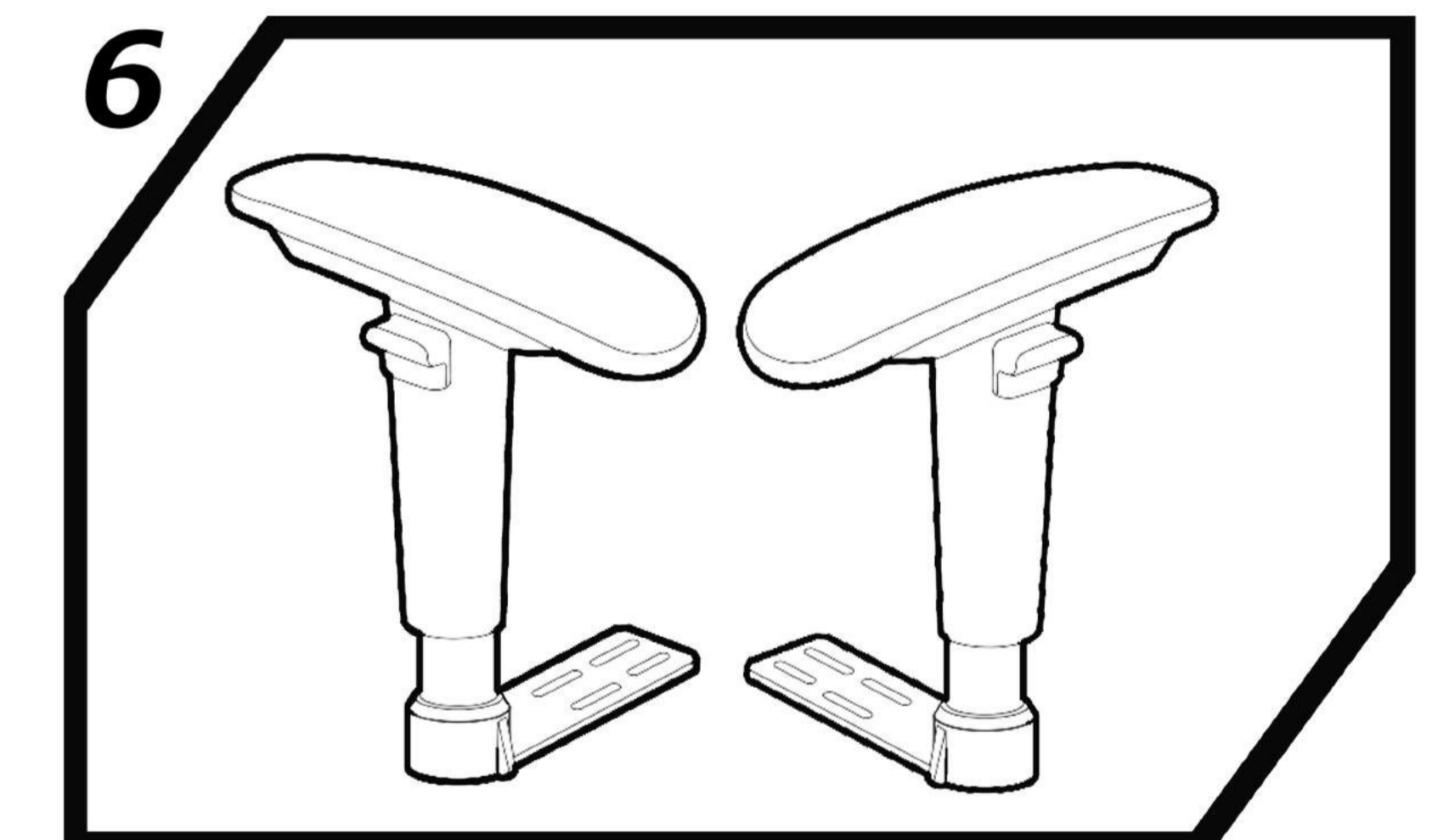
Gas lift/cover 1pcs



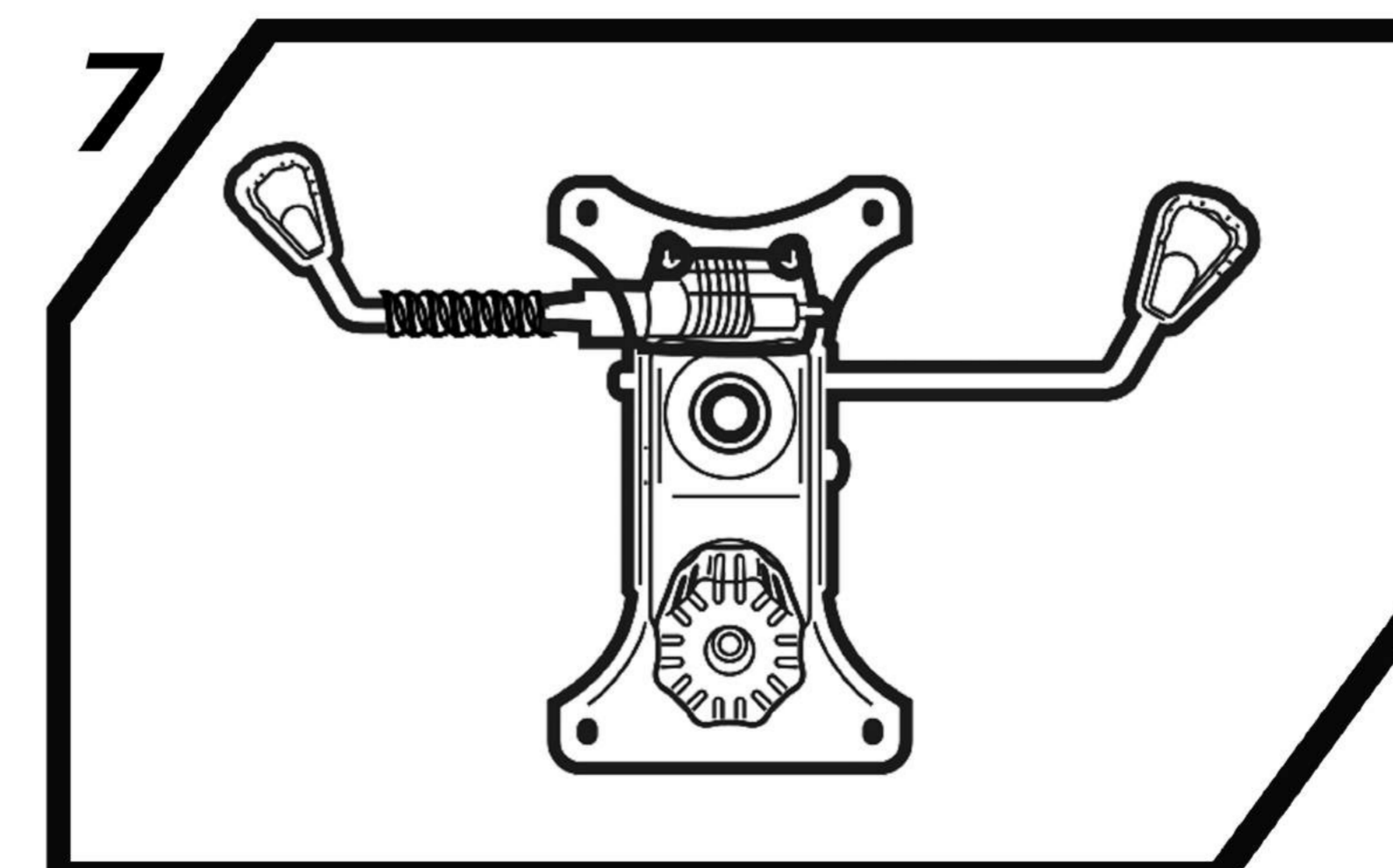
Seat cushion 1pcs



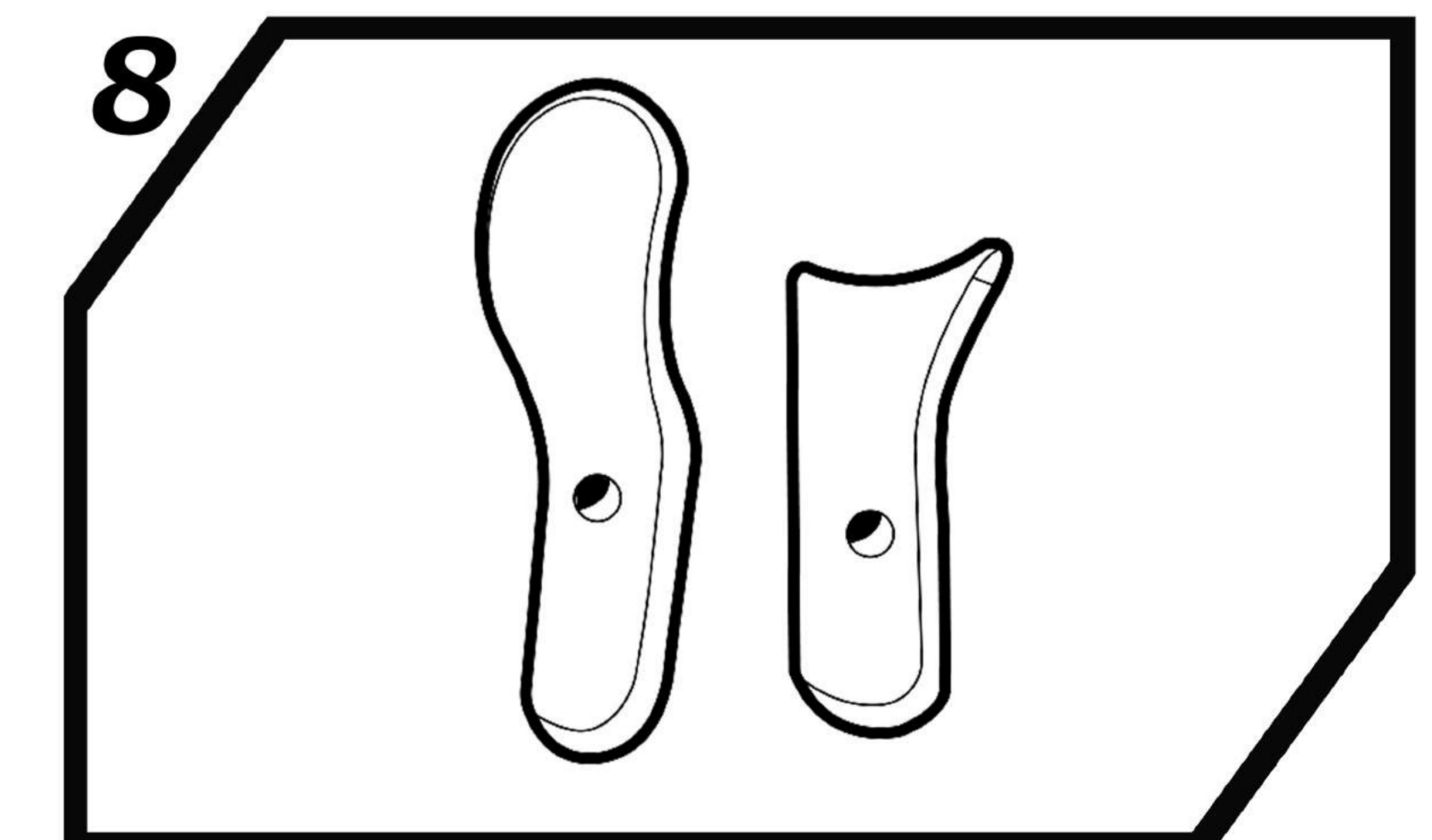
Backrest 1pcs



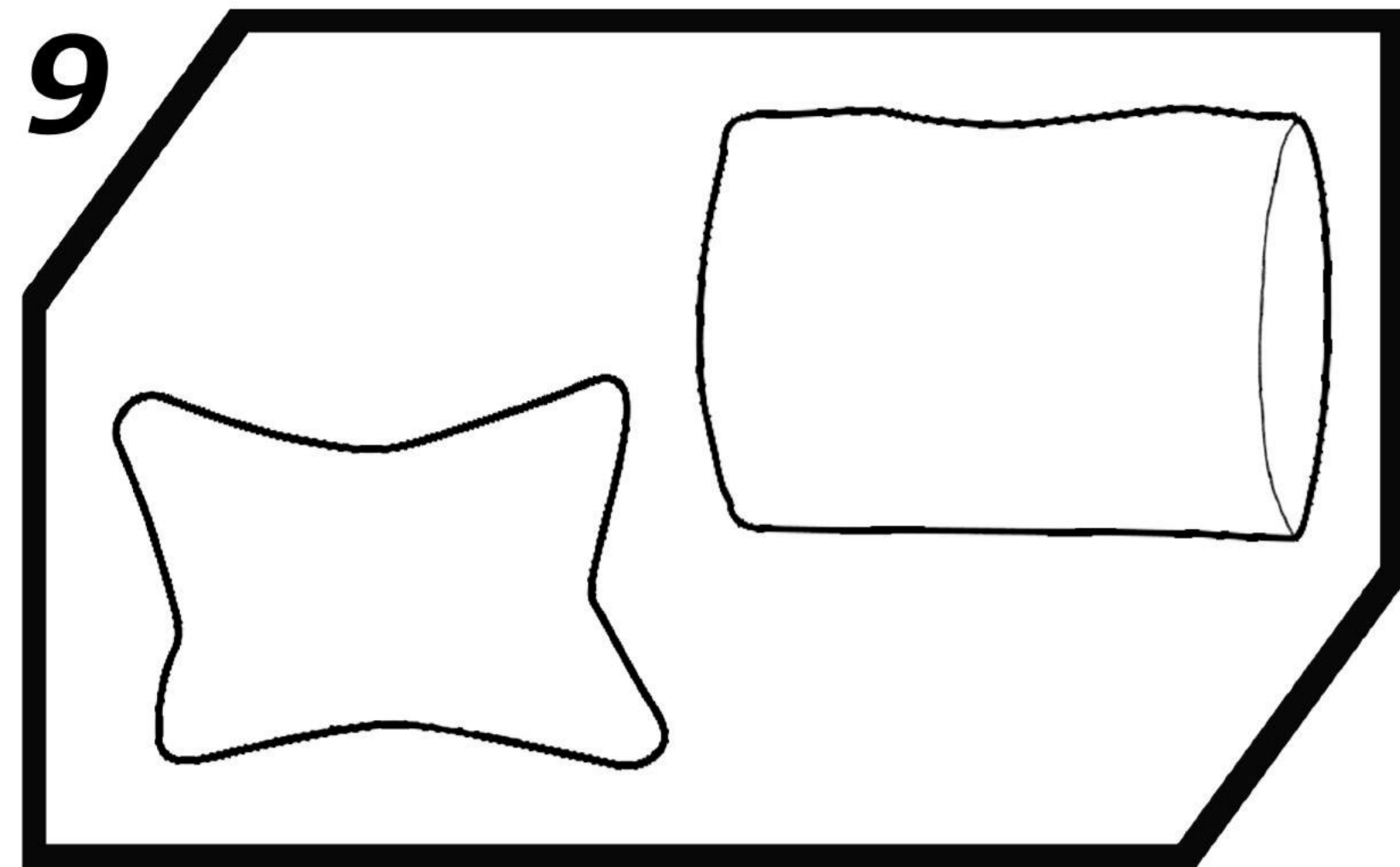
Armrest 2pcs



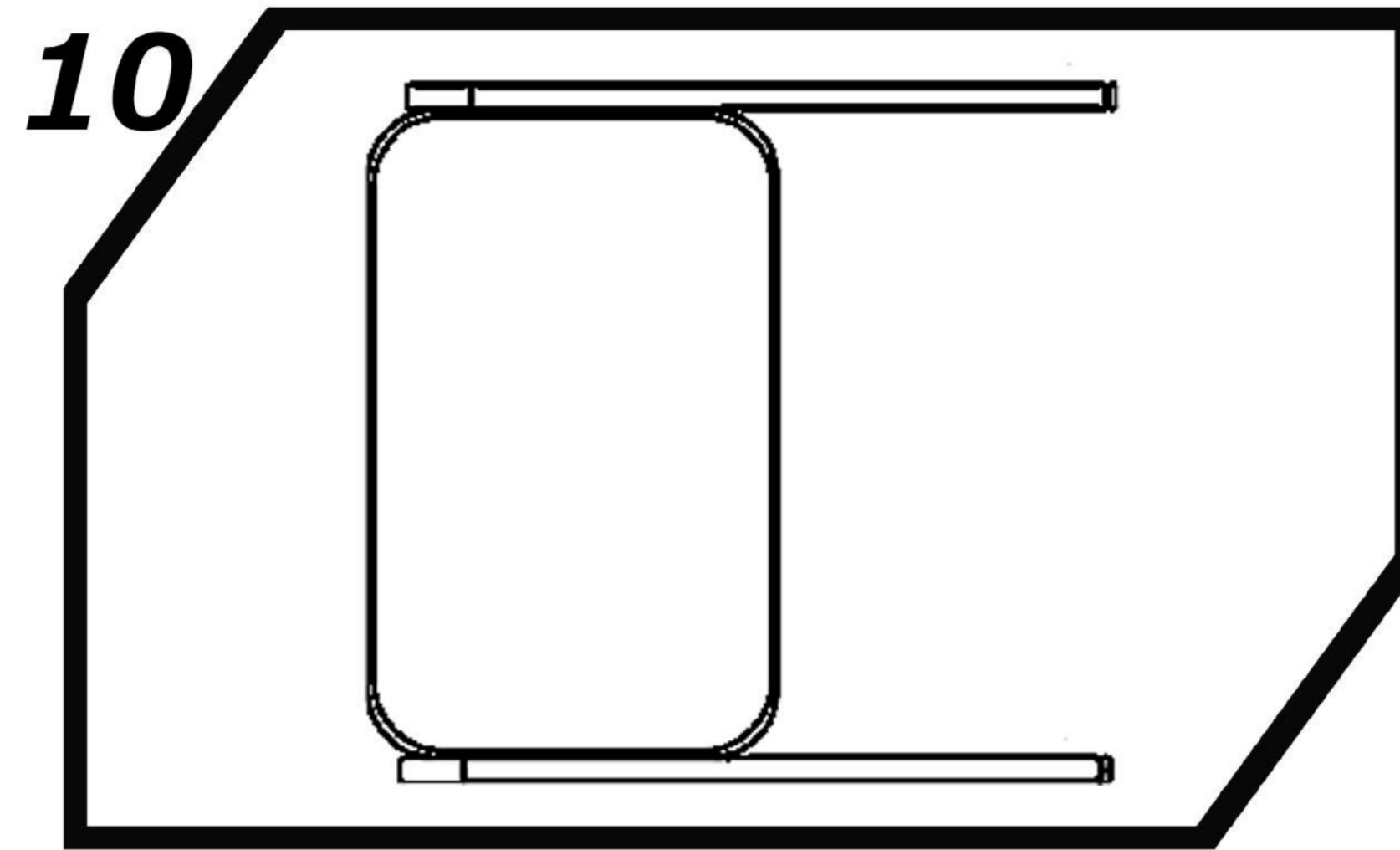
Tilt mechanism 1pcs



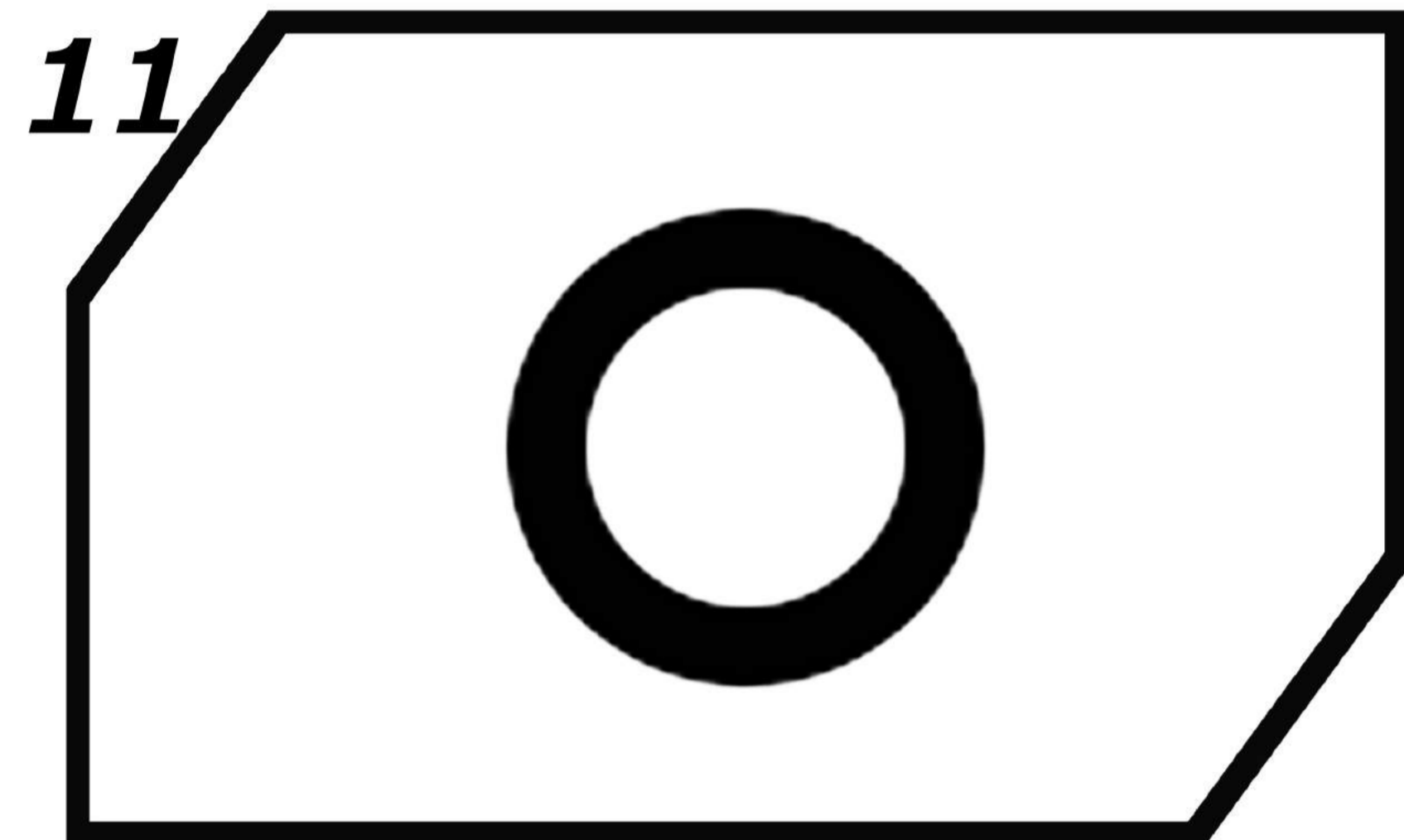
Side cover 2pairs



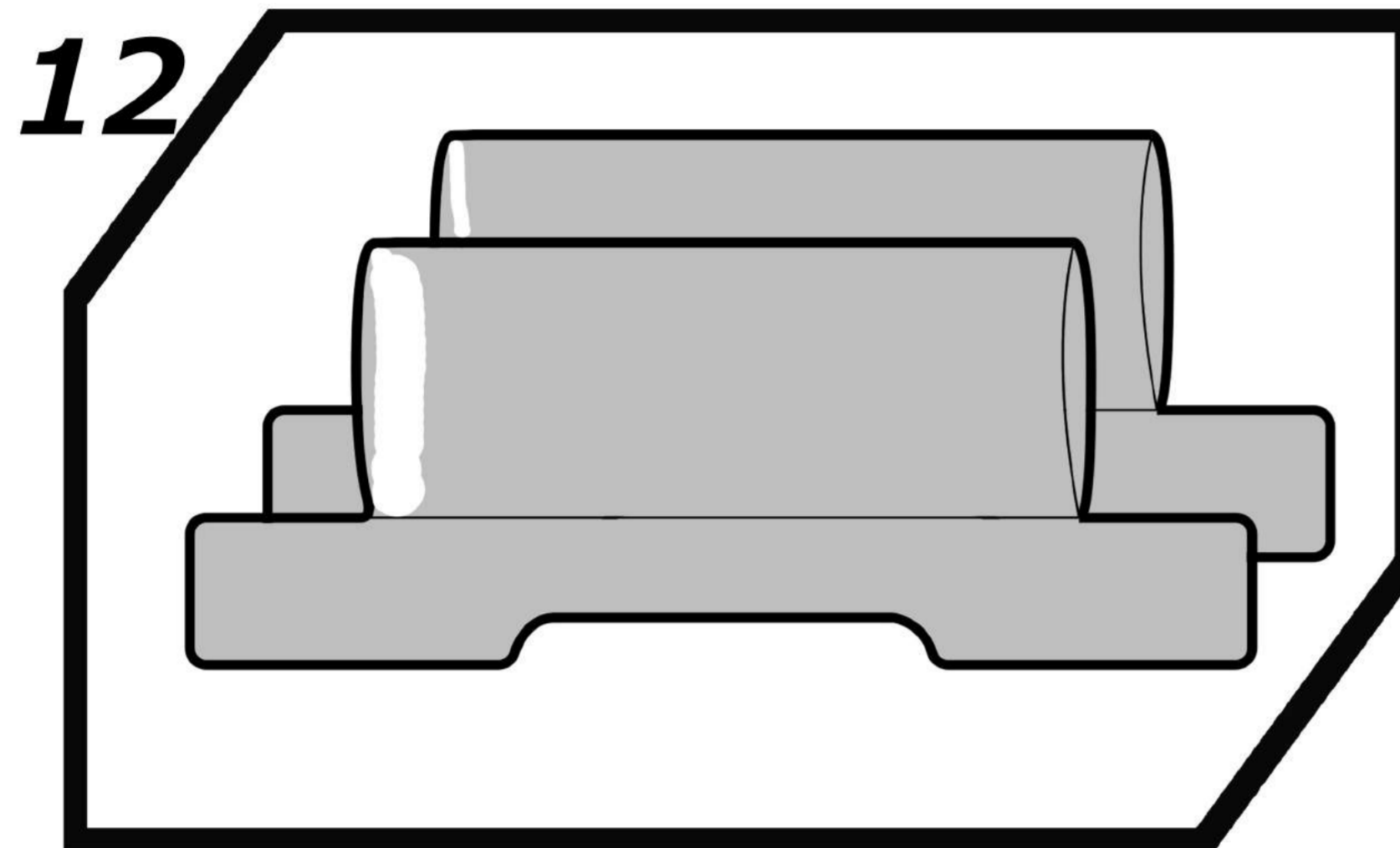
9
Head/lumbar pillow



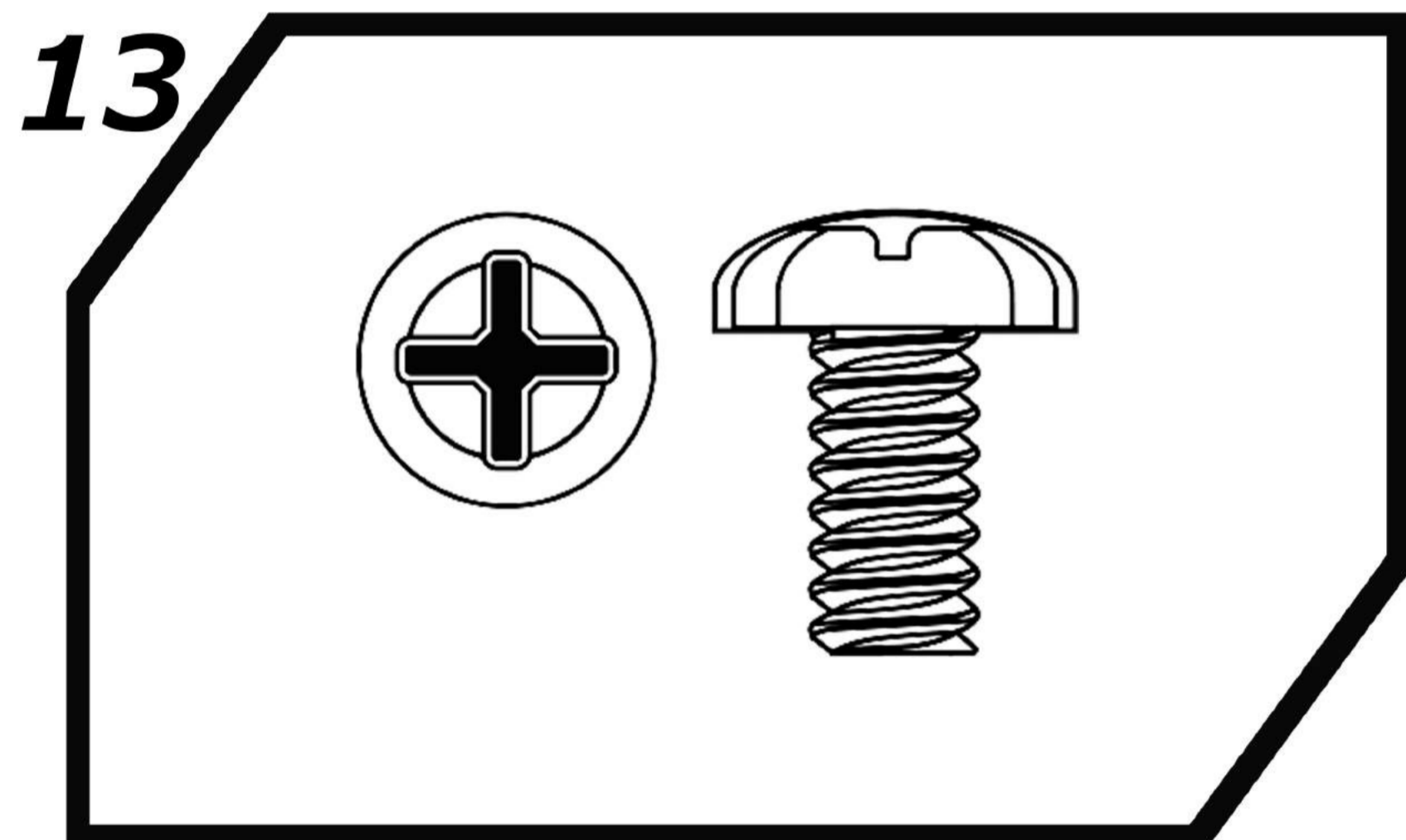
10
Footrest 1pcs



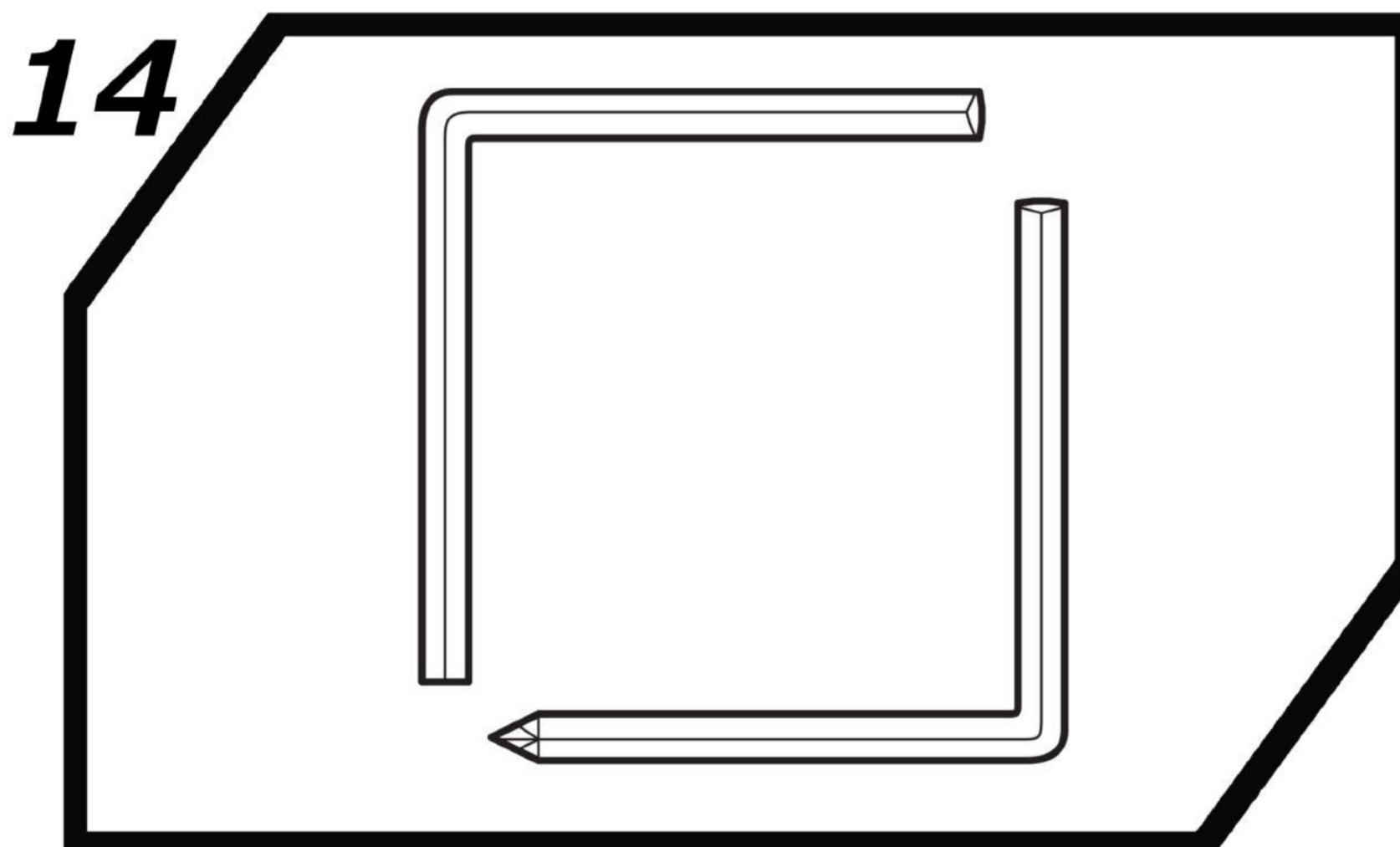
11
Rubber ring 3pcs※



12
Mounting 2pcs


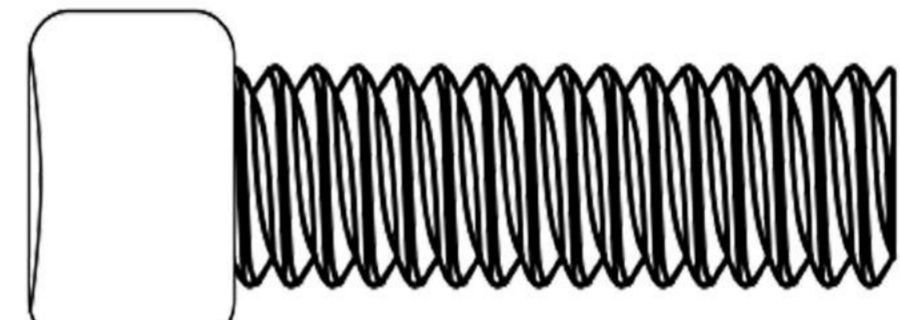

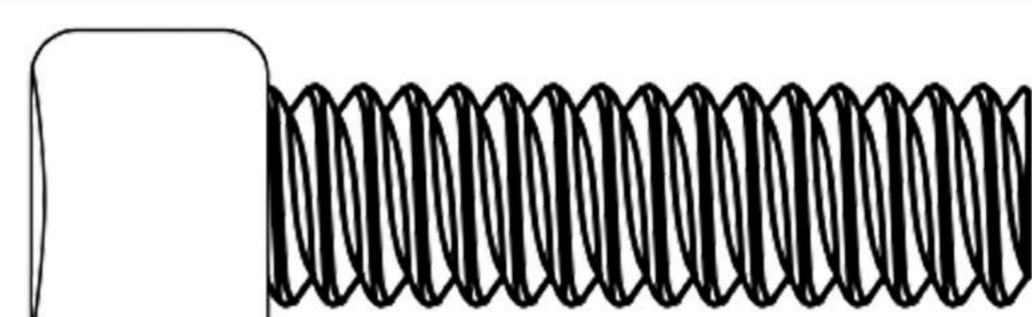
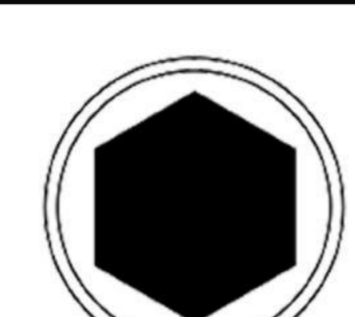



13
Side cover screw
3pcs※



14
Allen key 2pcs

※To prevent loss during transportation a spare one is prepared.

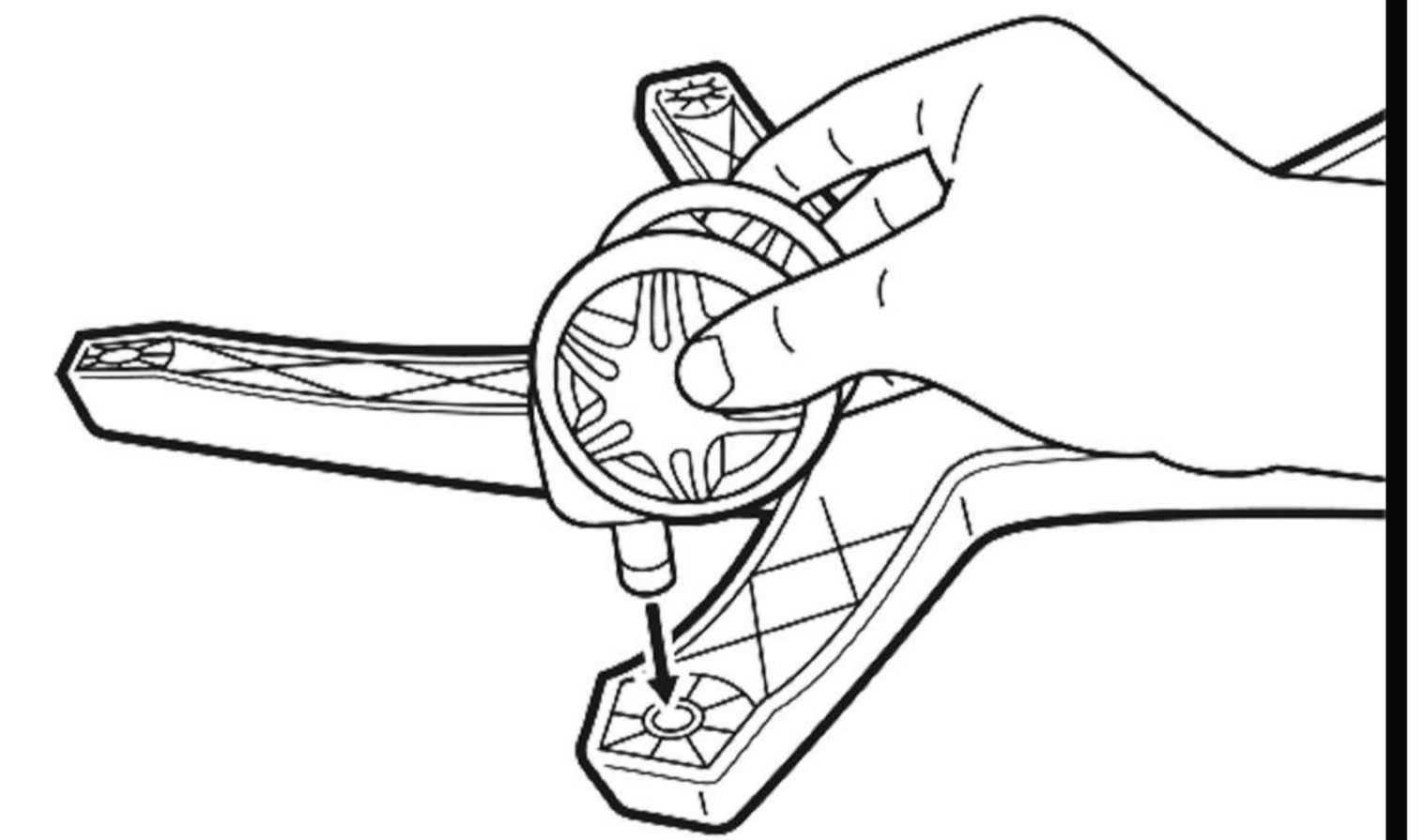
	Screw shape	SIZE	
15	 	M8X20 [With washer]	4
16	 	M8X25	12
17	 	M6X30	4
※To prevent loss during transportation, screws are already installed in advance.			

2.Assembly

1.Wheels

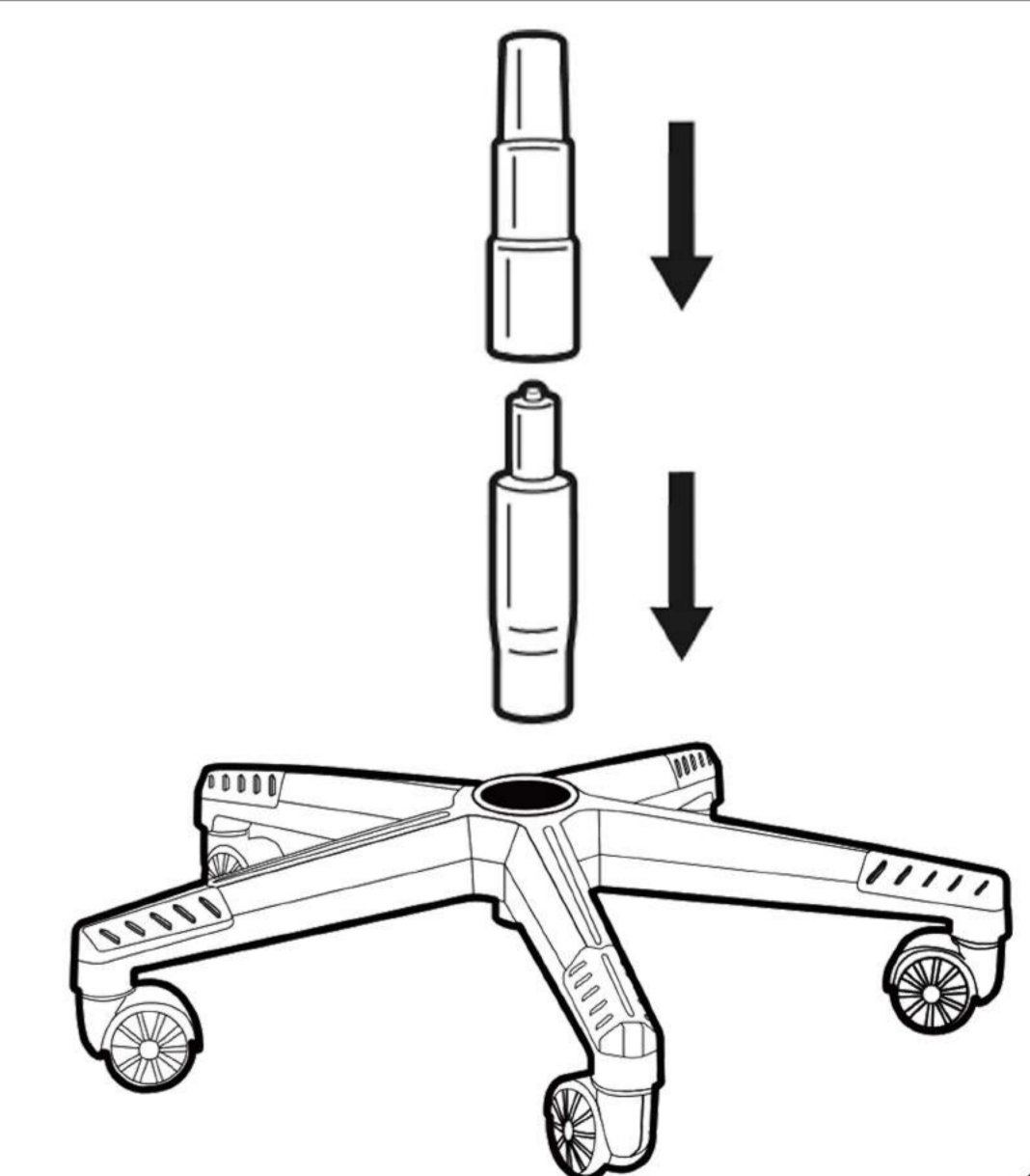
•Turn the base over and insert the caster firmly.

※The wheels are a little hard to insert to prevent it from coming off.



2.Base and gas lift

•Insert the gas cylinder and cover into the base as shown.

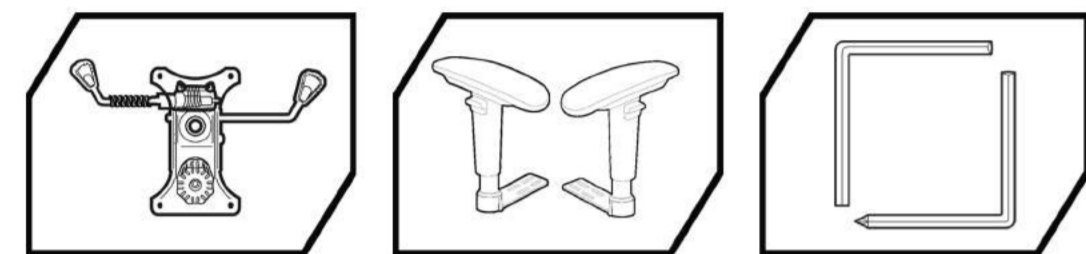
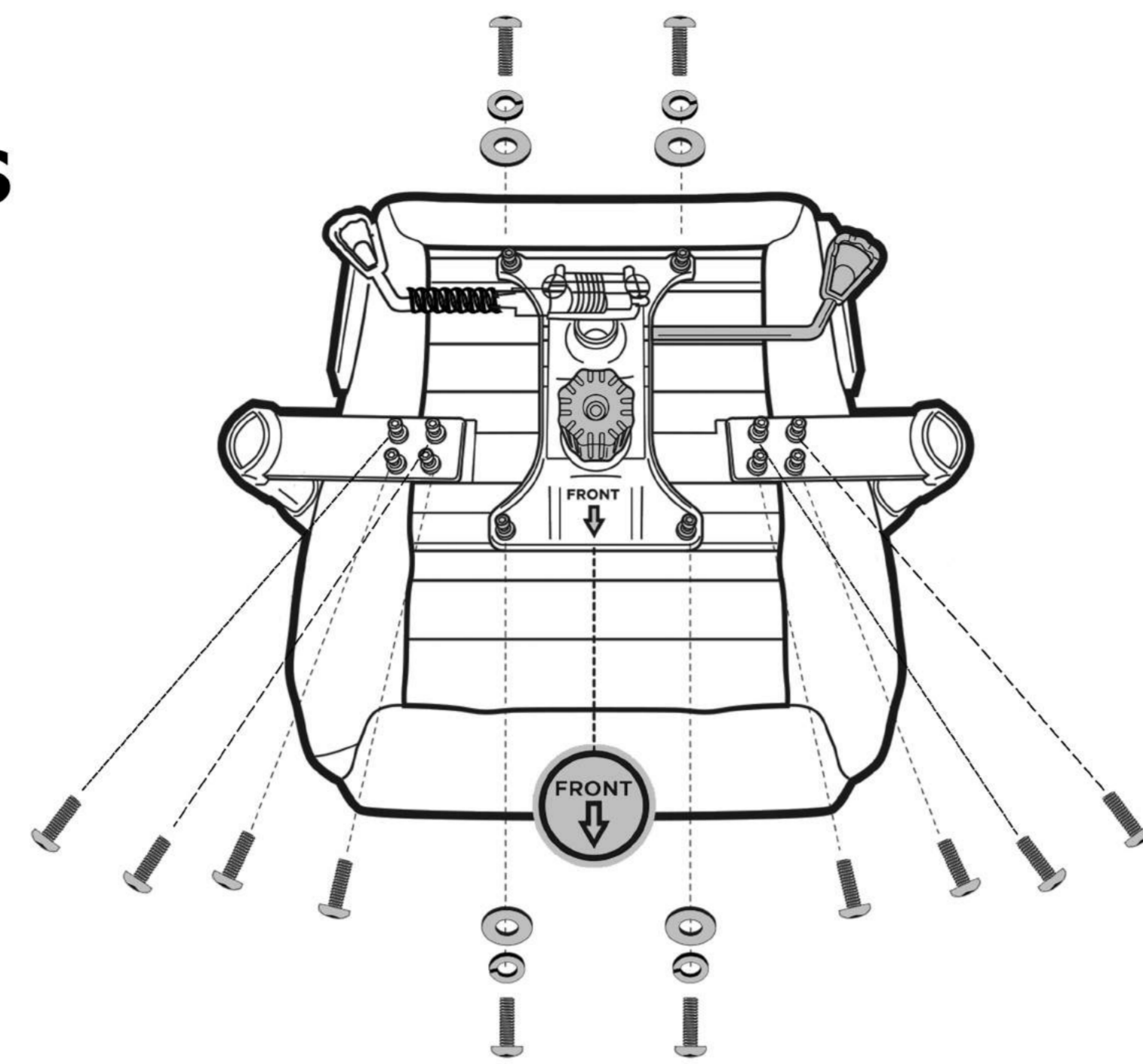


3. Tilt mechanism and armrests

Place the seat upside down on a stable surface, remove the pre-installed screws, attach the mechanism and armrests, and then tighten the screws to their original positions.

※Pay attention to the front and back of the tilt mechanism base.

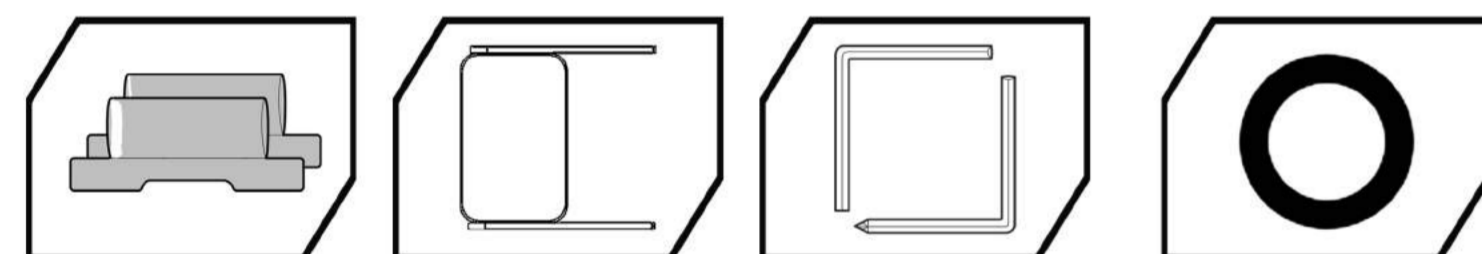
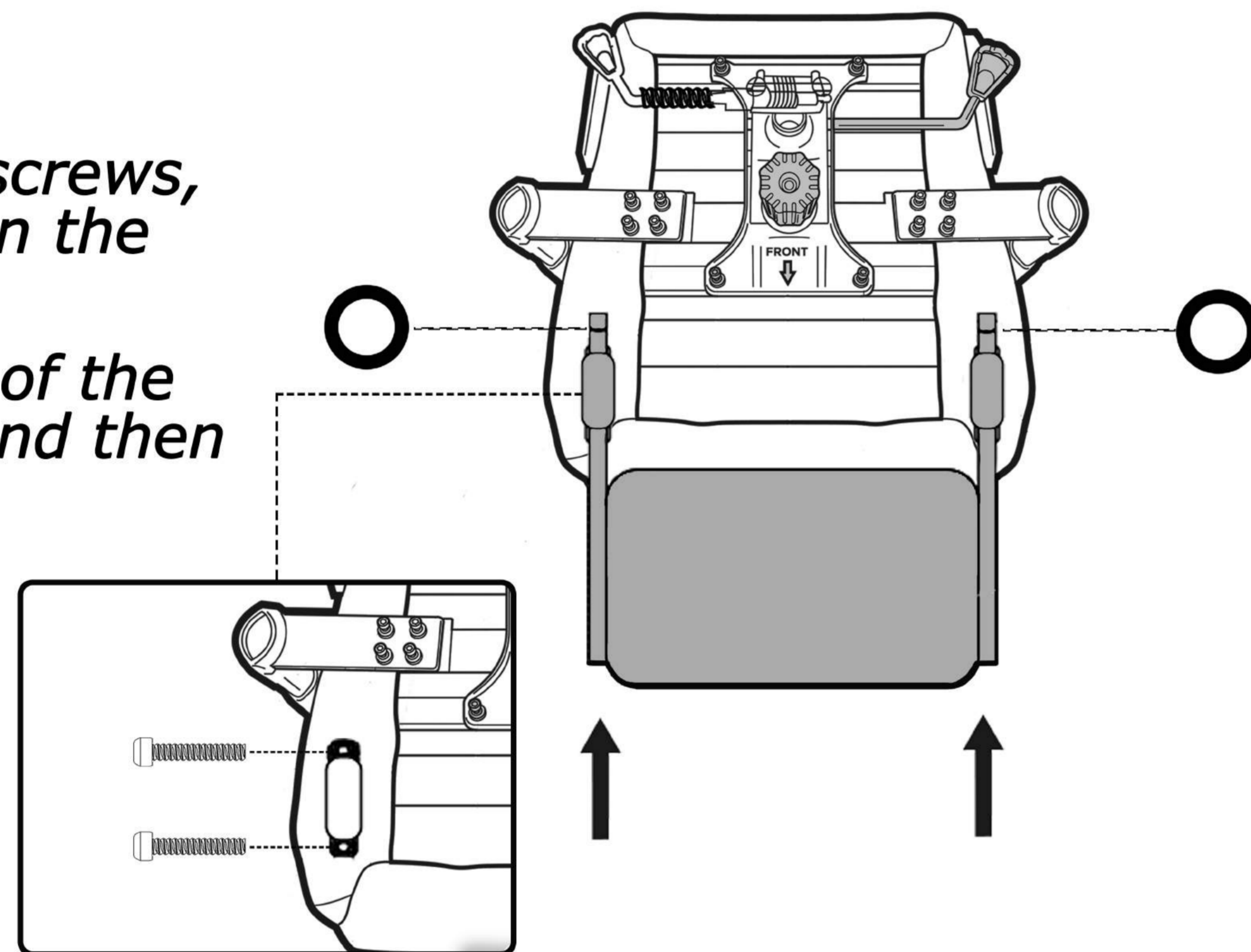
※Please note that there is left / right discrimination in the armrest



4. Footrest

Remove the pre-installed screws, install the rails, and tighten the screws in place.

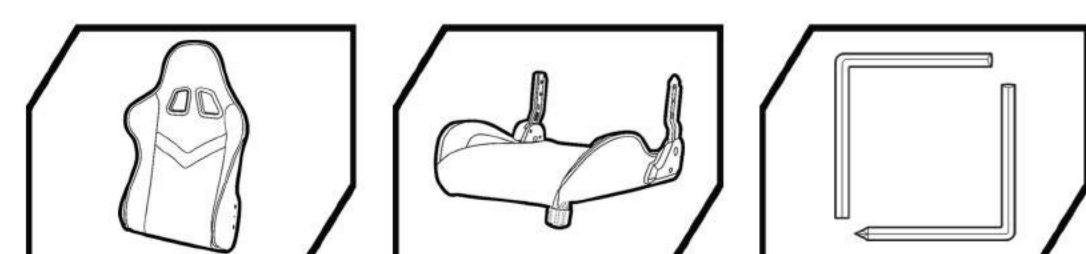
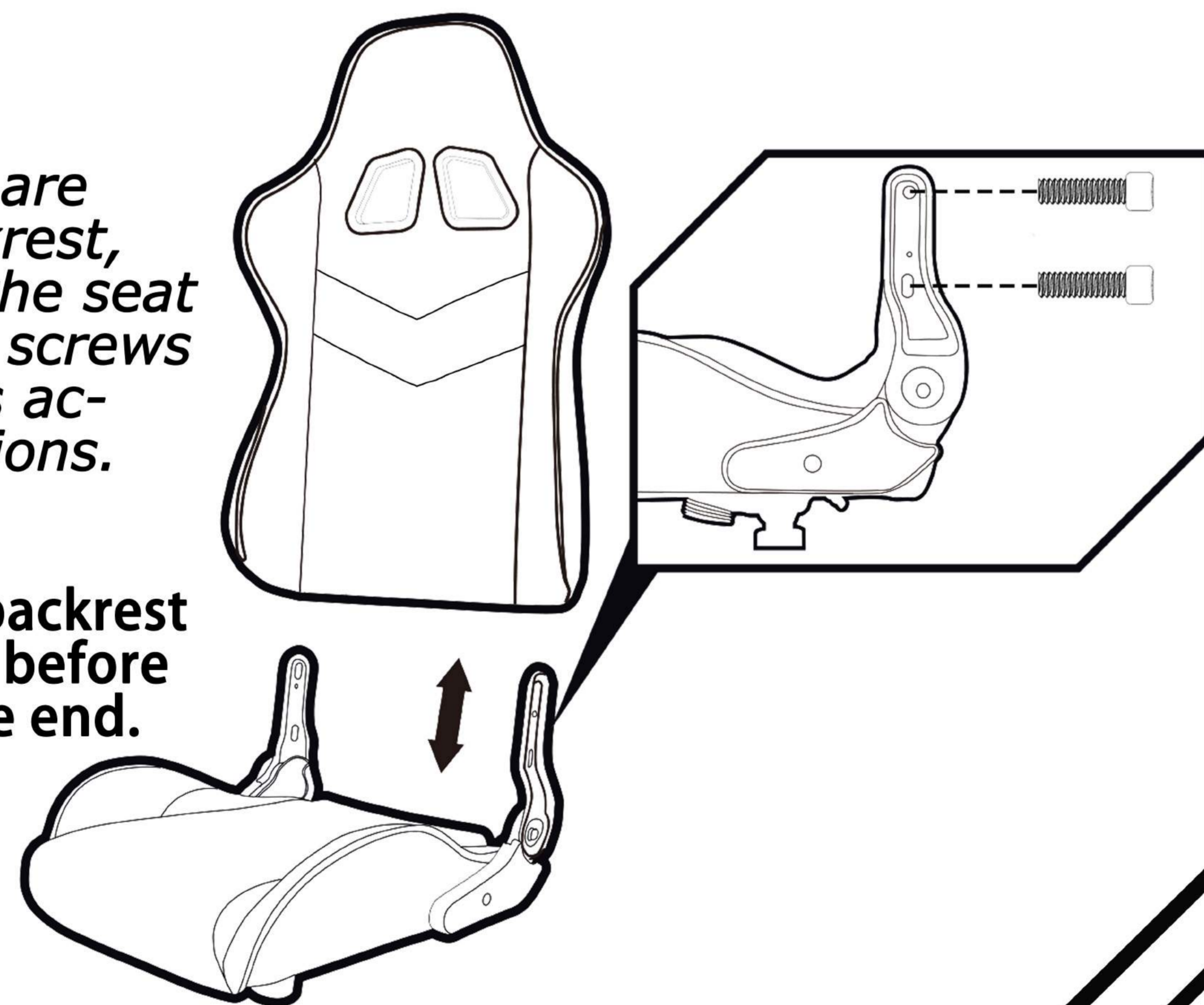
After attaching both sides of the track, insert the footrest and then attach the rubber ring.



5. Backrest

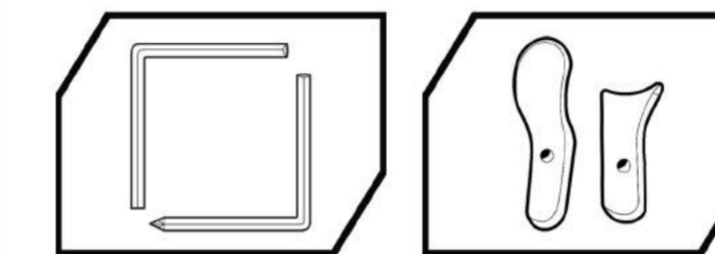
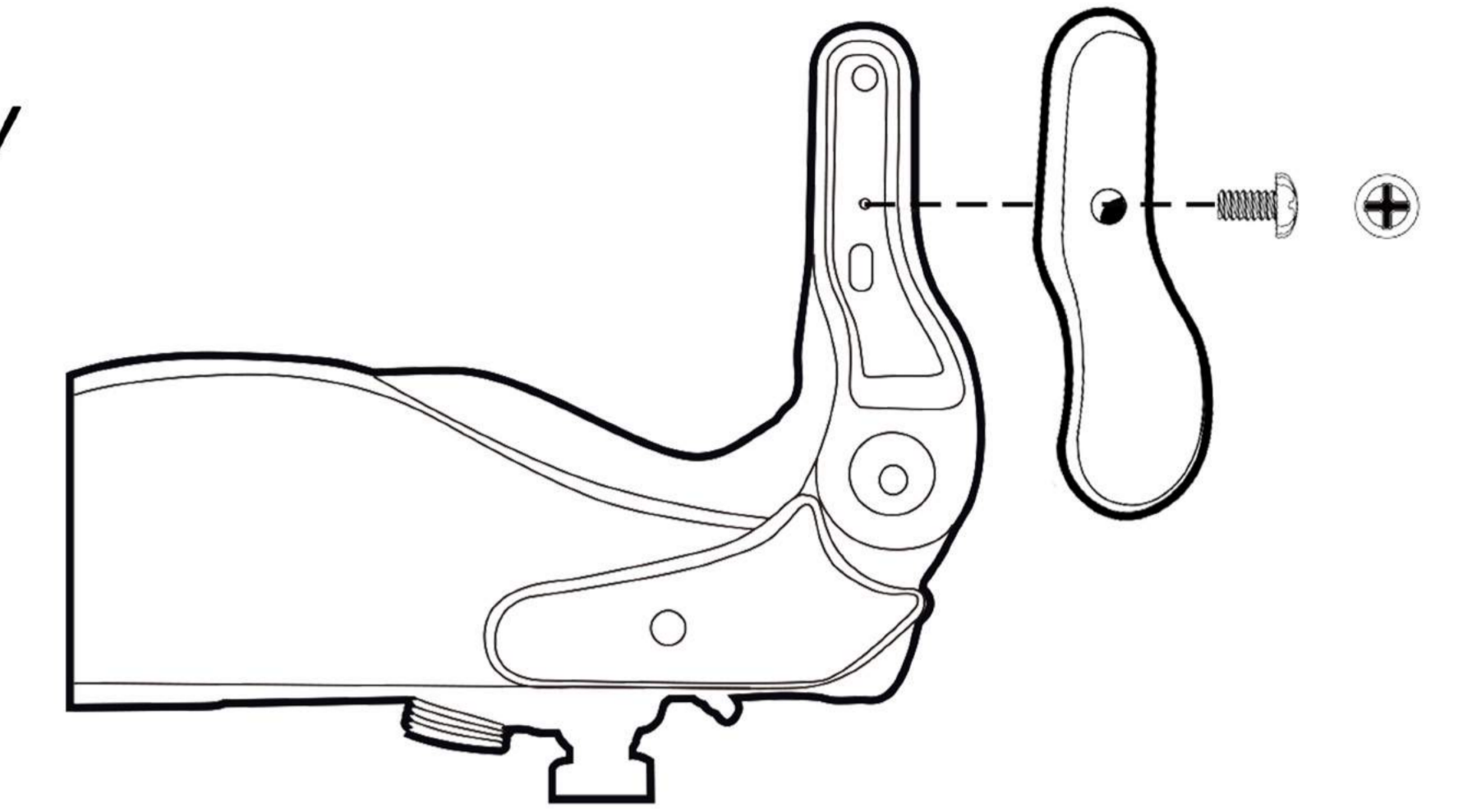
Remove the screws that are pre-installed on the backrest, insert the backrest into the seat cushion, and tighten the screws to their original positions according to the hole positions.

※Adjust the angle of the backrest and make sure it is correct before tightening the screw to the end.



6. Sidecover

After ensuring that the backrest is in the correct position, use the No.13 screws to screw the cover onto both sides of the chair.

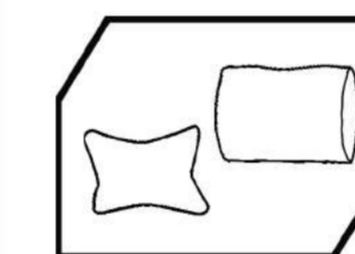
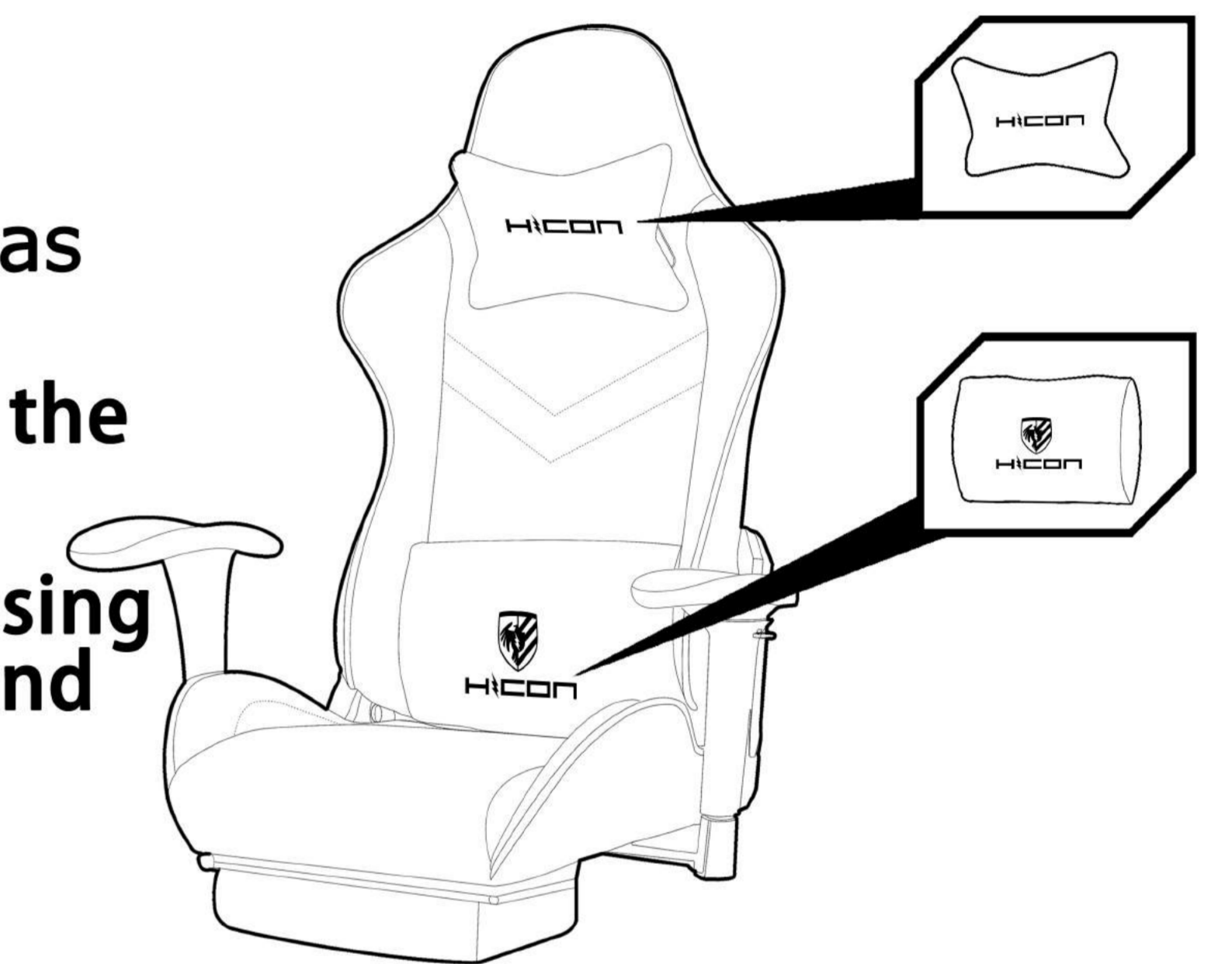


7. Head and lumbar pillow

Fasten the headrest and waist pillow as shown.

※The headrest strap is secured through the hole in the backrest.

※The waist pillow belt is secured by passing through the gap between the backrest and seat cushion



8. Finish

Assemble the chair body and base as shown.

9. Functions

Know how to use the following QR code.

⚠ Please note that incorrect use may damage the product.

