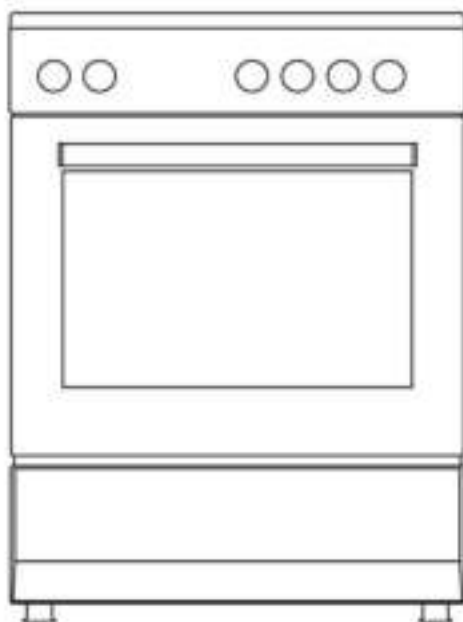




EVCK6031

Fornuis – Cooker

Ofen – Four



Gebruiksaanwijzing



User Manual



Gebrauchsanleitung



Mode dé Emploi

Dear User,

Our objective is to make this product provide you with the best output which is manufactured in our modern facilities in a careful working environment, in compliance with total quality concept.

Therefore, we suggest you to read the user manual carefully before using the product and, keep it permanently at your disposal.

Note: This user manual is prepared for more than one model. Some of the features specified in the Manual may not be available in your appliance.

All our appliances are only for domestic use, not for commercial use.

Items marked with (*) are optional.


“Conforms with the WEEE Regulations.”

Contents

Important warnings.....	4
Methods for protecting ceramic glass cooking surface.....	13
Electrical connection.....	14
Introduction of the appliance.....	15
Accessories.....	16
Technical features of your oven.....	17
Installation of your oven.....	18
Chain lashing illustration.....	20
Control panel.....	20
Using oven section.....	21
Using the grill.....	22
Using the chicken roasting.....	22
Using cooker section.....	23
Program types.....	25
Cooking time table.....	26
Maintenance and cleaning.....	27
Installation of the oven door.....	28
Cleaning and maintenance of the Oven's front door glass.....	29
Changing the oven lamp.....	29
Catalytic walls.....	30
Rack positions.....	30
Using the grill deflector sheet.....	31
Troubleshooting.....	32
Handling rules.....	34
Recommendations for energy saving.....	34
Environmentally-friendly disposal.....	35
Package information.....	35

IMPORTANT WARNINGS

1. Installation and repair should always be performed by **“AUTHORIZED SERVICE”**. Manufacturer shall not be held responsible for operations performed by unauthorized persons.
2. Please read this operating instructions carefully. Only by this way you can use the appliance safely and in a correct manner.
3. The oven should be used according to operating instructions.
4. Keep children below the age of 8 and pets away when operating.
5. **WARNING: The accessible parts may be hot while using the grill. Keep away from children.**
6. **WARNING: Fire hazard; do not store the materials on the cooking surface.**
7. **WARNING: The appliance and its accessible parts are hot during operation.**
8. Setting conditions of this device are specified on the label. (Or on the data plate)
9. The accessible parts may be hot when the grill is used. Small children should be kept away.
10. **WARNING: This appliance is intended for cooking. It should not be used for other purposes like heating a room.**
11. To clean the appliance, do not use steam cleaners.



12. Ensure that the oven door is completely closed after putting food inside the oven.

13. NEVER try to put out the fire with water. Only shut down the device circuit and then cover the flame with a cover or a fire blanket.

14. Children under 8 years of age should be kept away, if they cannot be monitored continuously.

15. Touching the heating elements should be avoided.

16. CAUTION: Cooking process shall be supervised. Cooking process shall always be supervised.

17. This device can be used by children over 8 years of age, people with physical, hearing or mental challenges or people with lack of experience or knowledge; as long as control is ensured or information is provided regarding the dangers.


18. This device has been designed for household use only.

19. Children must not play with the appliance. Cleaning or user maintenance of the appliance shall not be performed by children unless they are older than 8 years and supervised by adults.

20. Keep the appliance and its power cord away from children less than 8 years old.

21. Put curtains, tulle, paper or any flammable (ignitable) material away from the appliance before starting to use the appliance. Do not put ignitable or flammable materials on or in the appliance.

- 22.** Keep the ventilation channels open.
- 23.** The appliance is not suitable for use with an external timer or a separate remote control system.
- 24.** Do not heat closed cans and glass jars. The pressure may lead jars to explode.
- 25.** Oven handle is not a towel drier. Do not hang towels, etc. on the oven handle.
- 26.** Do not place the oven trays, plates or aluminium foils directly on the oven base. The accumulated heat may damage the base of the oven.
- 27.** While placing food to or removing food from the oven, etc., always use heat resistant oven gloves.
- 28.** Do not use the product in states like medicated and/or under influence of alcohol which may affect your ability of judgement.
- 29.** Be careful when using alcohol in your foods. Alcohol will evaporate at high temperatures and may catch fire to cause a fire if it comes in contact with hot surfaces.
- 30.** After each use, check if the unit is turned off.
- 31.** If the appliance is faulty or has a visible damage, do not operate the appliance.
- 32.** Do not use the appliance with its front door glass removed or broken.
- 33.** Place the baking paper together with the food into a pre-heated oven by putting it inside a cooker or on an oven accessory (tray, wire grill etc.).



34. Do not put objects that children may reach on the appliance.

35. It is important to place the wire grill and tray properly on the wire racks and/or correctly place the tray on the rack. Place the grill or tray between two rails and make sure it is balanced before putting food on it.

36. Against the risk of touching the oven heater elements, remove excess parts of the baking paper that hang over from the accessory or container.

37. Never use it at higher oven temperatures than the maximum usage temperature indicated on your baking paper. Do not place the baking paper on the base of the oven.


38. When the door is open, do not place any heavy object on the door or allow children to sit on it. You may cause the oven to overturn or the door hinges to be damaged.

39. The packaging materials are dangerous for children. Keep packaging materials away from the reach of children.

40. Do not use abrasive cleaners or sharp metal scrapers to clean the glass as the scratches that may occur on the surface of the door glass may cause the glass to break.

41. Do not hit glass surfaces of vitro-ceramic cookers with a hard metal, resistance can get damaged. It may cause an electric shock.

- 42.** User should not handle the oven by himself.
- 43.** Food can spill when foot of oven is dismantled or gets broken, be careful. It may cause personal injuries.
- 44.** During usage, the internal and external surfaces of the oven get hot. As you open the oven door, step back to avoid the hot vapour coming out from the interior. There is risk of burning.
- 45.** Upper cover of the oven can be closed for a reason, than cookware can trip over. Step back to avoid the hot food coming on you. There is risk of burning.
- 46.** Do not place heavy objects when oven door is open, risk of toppling.
- 47.** User should not dislocate the resistance during cleaning. It may cause an electric shock.
- 48.** Do not place metal utensils such as knife, fork, spoon on the surface of the appliance, since they will get hot.
- 49.** Do not remove ignition switches from the appliance. Otherwise, live electric cables can be accessed. It may cause an electric shock.
- 50.** Oven supply can be disconnected during any construction work at home. After completing the work, re-connecting the oven shall be done by authorized service.
- 51.** Do not place metal utensils such as knife, fork, spoon on the surface of the appliance, since they will get hot.



52To prevent overheating, the appliance should not be installed behind of a decorative cover.

53. Turn off the appliance before removing the safeguards. After cleaning, install the safeguards according to instructions.

54. Cable fixing point shall be protected.

55. Please don't cook the food directly on the tray / grid. Please put the food into or on appropriate tools before putting them in the oven.

56. CAUTION: If the glass of the stove is broken, turn off any heating element immediately and disconnect the appliance from power source, do not touch the surface of the appliance and do not use the appliance.

Electrical Safety

1. Have an authorized electrician set grounding equipment. Our company shall not be responsible for the damages that shall be incurred due to using the product without grounding according to local regulations.

2. The circuit breaker switches of the oven shall be placed so that end user can reach them when the oven is installed.

3. The power supply cord shall not contact the hot parts of the appliance.

4. If the power supply cord is damaged, this cord shall be replaced by the manufacturer or its service agent or an equally qualified personnel to prevent a hazardous situation.


5. Never wash the product by spraying or pouring water on it! There is a risk of electrocution.

6. WARNING: To avoid electric shock, ensure that the device circuit is open before changing the lamp.

7. WARNING: Cut off all supply circuit connections before accessing the terminals.

8. WARNING: If the surface is cracked, turn off the appliance to avoid risk of electric shock.

9. Do not use cut or damaged cords or extension cords other than the original cord.



10. The rear surface of the oven also heats up when the oven is operated. Electrical connections shall not touch the rear surface, otherwise the connections may be damaged.

11. Do not tighten the connecting cables to the oven door and do not run them over hot surfaces. If the cord melts, this may cause the oven to short circuit and even a fire.

12. If the power supply cable is damaged, it must be replaced by its manufacturer or authorized technical service or any other personnel qualified at the same level, in order to avoid any dangerous situation.

13. Do not use steam cleaners for cleaning the appliance, otherwise electric shock may occur.

14. An omnipolar switch capable to disconnect power supply is required for installation. Disconnection from power supply shall be provided with a switch or an integrated fuse installed on fixed power supply according to building code.

15. Appliance is equipped with a **type “Y”** cord cable.

16. Fixed connections shall be connected to a power supply enabling omnipolar disconnection. For appliances with over voltage category below III, disconnection device shall be connected to fixed power supply according to wiring code.

Intended Use

- 1.** This product has been designed for domestic use. Commercial use is not permitted.
- 2.** This appliance may only be used for cooking purposes. It shall not be used for other purposes like heating a room.
- 3.** This appliance shall not be used to heat plates under the grill, drying clothes or towels by hanging them on the handle or for heating purposes.
- 4.** The manufacturer assumes no responsibility for any damage due to misuse or mishandling.
- 5.** Oven part of the unit may be used for thawing, roasting, frying and grilling food.
- 6.** Operational life of the product you have purchased is 10 years. This is the period for which the spare parts required for the operation of this product as defined is provided by the manufacturer.

Methods for Protecting Ceramic Glass Cooking Surface

Ceramic glass surface is unbreakable and scratch resistant to a certain degree. However, to avoid any damage, please do the following:

1. Never pour cold water on hot cookers.
2. Do not stand on a ceramic glass plate.
3. Sudden pressure, for example, the effect of a falling salt shaker may be critical. So, do not place such objects on a place above the hobs.
4. After each use, make sure that the base of the cooking pot and surfaces of cooking zones are clean and dry.
5. Do not peel vegetables on the hob surfaces. Sand grains falling from the vegetables may scratch the ceramic glass plate.
6. Do not lay flammable materials such as cardboard or plastic on the oven. Objects such as tin, zinc, or aluminium (as well as aluminium foils or empty coffee pots) may melt on hot cooking surfaces and thus cause damage.
7. Take care not to let sugary foods or fruit juices contact the hot cooking zones. The ceramic glass surface may be stained by these.

Electrical Connection

1. Your oven requires 40 Amp fuse for mono phase or 3x16 Amp fuse for 3 phase supply according to electrical power for cooker section has 4 ceramic heater and oven section has electric models. Installation by a qualified electrician is mandatory.

2. Your oven is adjusted in compliance with 220-240V / 380-415V AC,50/60Hz. electric supply. If the mains are different from this specified value, contact your authorized service.

3. Electrical connection of the oven should only be made to connections / sockets with an earth system installed in compliance with local regulations. If there are no connections/sockets with an earth system in place where the oven will be installed, immediately contact a qualified electrician to install. The manufacturer is not responsible for damages that will arise because of the appliance not be connected to an earth system.

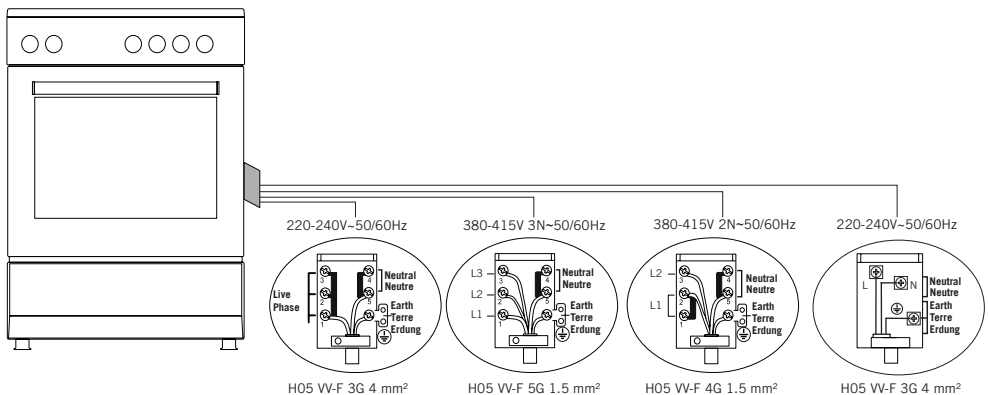
4. If your supply cable gets damaged, it should be replaced by an authorized service agent or qualified electrician in order to avoid danger or electric shock.

5. Electrical cable should not touch the hot parts of the appliance.

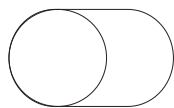
6. Operate your oven in dry atmosphere.

7. When placing your oven to its location, ensure that it is at the counter level. Bring it to the counter level by adjusting the feet if necessary.

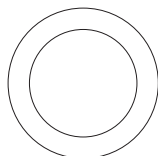
Electrical Connection Scheme



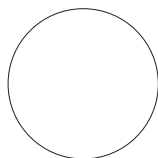
INTRODUCTION OF THE APPLIANCE



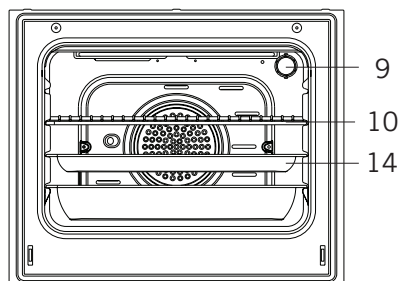
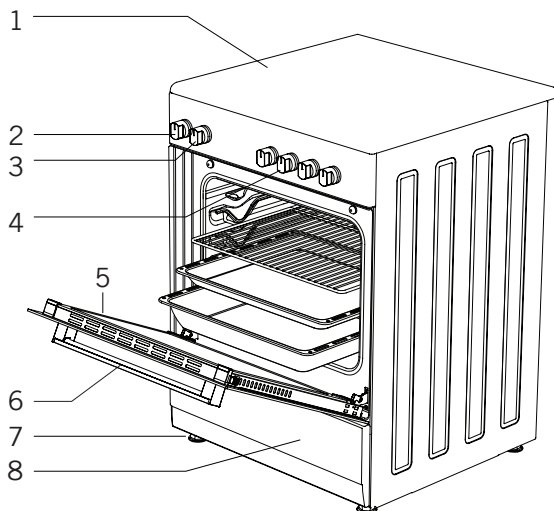
11



12



13



1. Glass top plate
2. Thermostat knob
3. Command knob for oven
4. Regulators for vitroceramic hobs
5. Oven door
6. Handle
7. Plastic leg
8. Lower cabinet door

9. Lamp
10. Wired grid
11. Ceramic heater (140 mm / 250 mm)*
12. Ceramic heater (120 mm / 180 mm)*
13. Ceramic heater (140 mm or 180 mm)
14. Baking Tray

Accessories



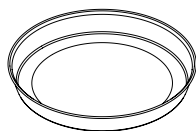
Deep tray *

Used for pastry, big roasts, watery foods. It can also be used as oil collecting container if you roast directly on grill with cake, frozen foods and meat dishes.



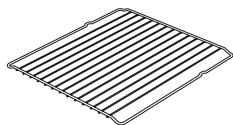
Tray

Used for pastry (cookie, biscuit etc.), frozen foods.



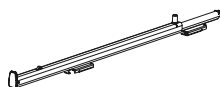
Circular tray *

Used for pastry frozen foods.



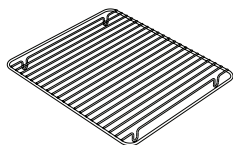
Wire grid

Used for roasting or placing foods to be baked, roasted and frozen into desired rack.



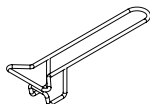
Telescopic rail *

Trays and wire racks can be removed and installed easily thanks to telescopic rails.



In tray wire grid *

Foods to stick while cooking such as steak are placed on in tray grill. Thus contact of food with tray and sticking are prevented.



Tray handle *

It is used to hold hot trays.

Technical features of your oven

Specifications	50x55	50x60	60x60
Outer width	500 mm	500 mm	600 mm
Outer depth	565 mm	630 mm	630 mm
Outer height	855 mm	855 mm	855 mm
Lamp power	15-25 W		
Bottom heating element	1000 W	1000 W	1200 W
Top heating element	800 W	800 W	1000 W
Turbo heating element	-----	1800 W	-----
Grill heating element	1500 W	1500 W	2000 W
Supply voltage	220-240V AC/380-415V AC 50/60 Hz		
Hot plate 145 mm *	1000 W		
Hot plate 180 mm *	1500 W		
Hot plate rapid 145 mm *	1500 W		
Hot plate rapid 180 mm *	2000 W		
Ceramic heater 140 mm *	1200 W		
Ceramic heater 180 mm *	1700 W / 1800 W		
Ceramic heater 140 mm / 250 mm *	1800 W		
Ceramic heater 120 mm / 180 mm *	1700 W		

WARNING: For the modification to be done by authorized service, this table should be considered. Manufacturer may not be held responsible for any problems rising because of any faulty modification.

WARNING: In order to increase the product quality, the technical specifications may be changed without prior notice.

WARNING: The values provided with the appliance or its accompanying documents are laboratory readings in accordance with the respective standards. These values may differ depending on the use and ambient conditions.

INSTALLATION OF YOUR OVEN

Check if the electrical installation is proper to bring the appliance in operating condition. If electricity installation is not suitable, call an electrician and plumber to arrange the utilities as necessary. Manufacturer shall not be held responsible for damages caused by operations performed by unauthorized persons.

WARNING: It is customer's responsibility to prepare the location the product shall be placed on and also to have the electrical installation prepared.

WARNING: The rules in local standards about electrical installations shall be followed during product installation.

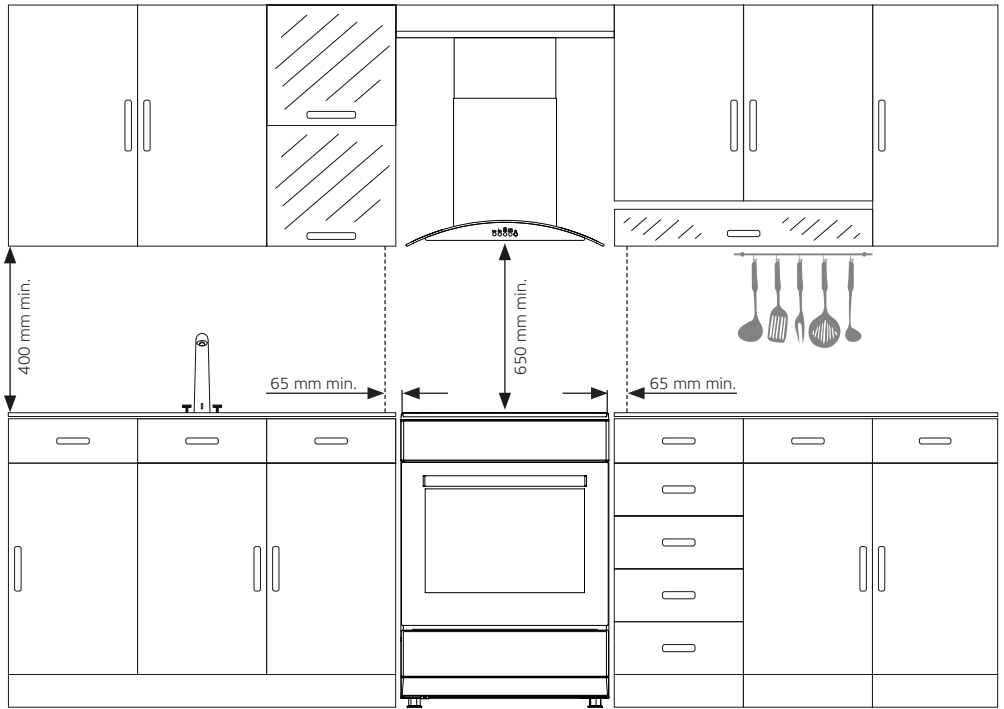
WARNING: Check for any damage on the appliance before installing it. Do not have the product installed if it is damaged. Damaged products cause a risk for your safety.

Right Place for Installation and Important Warnings

Appliance feet should not stay on soft surfaces such as carpets. The kitchen floor shall be durable to carry the unit weight and any other kitchenware that may be used on the oven.

Appliance should be used with a clearance of minimum 400 mm over the upper hob surfaces, and 65 mm from side surfaces inside a kitchen furniture.

The appliance is suitable for use on both side walls, without any support, or without being installed in a cabinet. If a hood or aspirator will be installed above the cooker, follow the instructions of the manufacturer for height of mounting. (min. 650 mm)

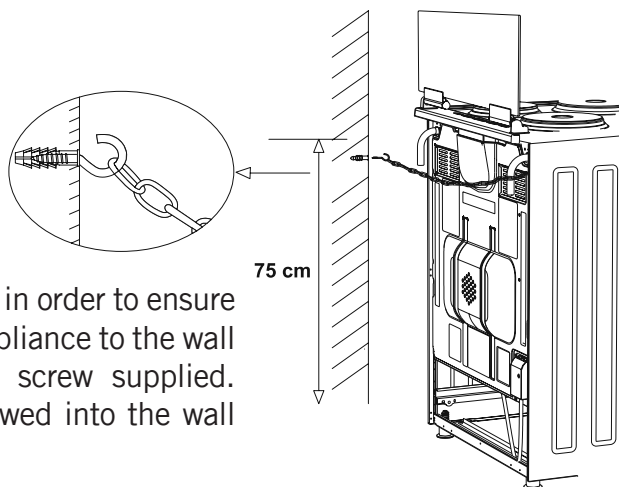


WARNING: The kitchen furniture near the appliance must be heat resistant.

WARNING: Do not install the appliance beside refrigerators or coolers. Heat radiated by the appliance increases the energy consumption of cooling devices.

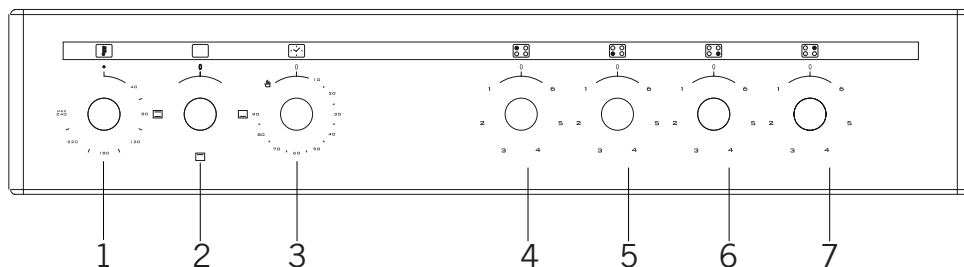
WARNING: Do not use the door and/or handle to carry or move the appliance.

Chain lashing illustration



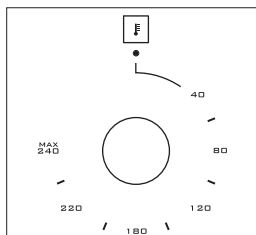
Before using the appliance, in order to ensure safe use, be sure to fix the appliance to the wall using the chain and hooked screw supplied. Ensure that the hook is screwed into the wall securely.

CONTROL PANEL

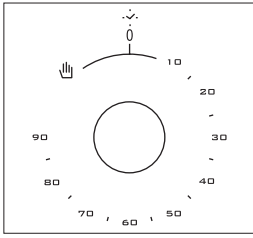


1. Thermostat
2. Function selection button
3. Mechanical timer *
4. Rear left electrical heater
5. Front left electrical heater
6. Front right electrical heater
7. Rear right electrical heater

WARNING: The control panel above is only for illustration purposes. Consider the control panel on your device.



Thermostat: Used for determining the cooking temperature of the dish to be cooked in the oven. After placing the food inside the oven, turn the switch to adjust desired temperature setting between 40-240 °C. For cooking temperatures of different food, see cooking table.



Mechanical timer*: Used for determining the period for cooking in the oven. When adjusted time is expired, power to heaters is turned off and an audible warnig signal is emitted. Mechanical timer can be adjusted to desired period between 0-90 minutes. For cooking periods, see cooking tables.

USING OVEN SECTION

Using Oven Heating Elements

1. When your oven is operated first time, an odor will be spread out which will be sourced from using the heating elements. In order to get rid of this, operate it at 240 °C for 45-60 minutes while it is empty.
2. Oven control knob should be positioned to desired value; otherwise oven does not operate.
3. Kinds of meals, cooking times and thermostat positions are given in cooking table. The values given in the cooking table are characteristic values and were obtained as a result of the tests performed in our laboratory. You can find different flavors suitable for your taste depending on your cooking and using habits.
4. You can make chicken revolving in your oven by means of the accessories.
5. Cooking times: The results may change according to the area voltage and material having different quality, amount and temperatures.
6. During the time when cooking is being performed in the oven, the lid of the oven should not be opened frequently. Otherwise circulation of the heat may be imbalanced and the results may change.

Using The Grill

1. When you place the grill on the top rack, the food on the grill shall not touch the grill.
2. You can preheat for 5 minutes while grilling. If necessary, you may turn the food upside down.
3. Food shall be in the center of the grill to provide maximum air flow through the oven.

To turn on the grill;

1. Place the function button over the grill symbol.
2. Then, set it to the desired grill temperature.

To turn the grill off;

Set the function button to the off position.

WARNING: Keep the oven door closed while grilling.

Using The Chicken Roasting *

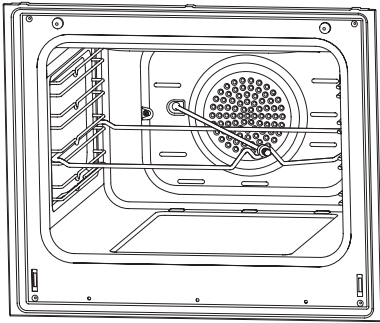


Figure 1

Place the spit on the frame. Slide turn spit frame into the oven at the desired level. Locate a dripping pan through the bottom in order to collect the fat. Add some water in dripping pan for easy cleaning. Do not forget to remove plastic part from spit. After grilling, screw the plastic handle to the skewer and take out the food from oven.

Using Cooker Section

Using And Description Of Hob Section For Vitroceramic

	Level 1	Level 2	Level 3	Level 4	Level 5	Level 6	Level 7	Level 8	Level 9	Max.
140 mm Commutator	130 W	206 W	350 W	500 W	850 W	1200 W	---	---	---	---
180 mm Commutator	180 W	470 W	790 W	850 W	1230 W	1700 W	---	---	---	---
180 mm Regulator*	1800 W	1800 W	1800 W	1800 W	1800 W	1800 W	1800 W	1800 W	1800 W	---
140/250 mm*	1000 W	1000 W	1000 W	1000 W	1000 W	1000 W	1000 W	1000 W	1000 W	1800 W
120/180 mm Dual Hilight*	700 W	700 W	700 W	700 W	700 W	700 W	700 W	700 W	700 W	1700 W

1. You operate the hob with the ring switches on the control panel of oven. This switch regulates the energy in order to reach desired temperature set by you.

2. In order to have a good cooking result from the hob, the pans bottom should be as thick and flat as possible.

3. Bottom of pans and cooking zones should be the same size. If possible, always place lids on the pans. Always place cookware on the cooking zone before it is switched on. Switch cooking zones off before the end of the cooking time, to take advantage of residual heat.

4. Turn the knob to clockwise for starting to operate. Temperature set up by the knob position on the line gradually increasing up to max. (Single zone)

5. For dual cooking zone the first ring operating like single zone; second ring starts to operate after extra turning by some more force to clock wise on the “max” region end of the ring sign. When you turn to counter clock wise, the first ring will operate as maximum range and the second ring’s power will reduce up to you desire temperature.

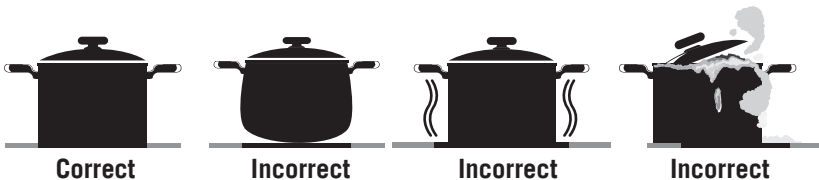
Using Hot Plates

	Level 1	Level 2	Level 3	Level 4	Level 5	Level 6
80 mm	200 W	250 W	450 W	---	---	---
145 mm	250 W	750 W	1000 W	---	---	---
180 mm	500 W	750 W	1500 W	---	---	---
145 mm rapid	500 W	1000 W	1500 W	---	---	---
180 mm rapid	850 W	1150 W	2000 W	---	---	---
145 mm	95 W	155 W	250 W	400 W	750 W	1000 W
180 mm	115 W	175 W	250 W	600 W	850 W	1500 W
145 mm rapid	135 W	165 W	250 W	500 W	750 W	1500 W
180 mm rapid	175 W	220 W	300 W	850 W	1150 W	2000 W
220 mm	220 W	350 W	560 W	910 W	1460 W	2000 W

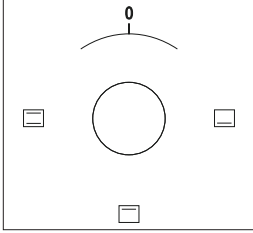
1. Electric hotplates have standard of 6 temperature levels. (as describe herein above)

2. When using first time, operate your electric hotplate in position 6 for 5 minutes. This will make the agent on your hotplate which is sensitive to heat get hardened by burning.

3. Use flat bottomed saucepans which fully contact with the heat as much as you can, so that you can use the energy more productively.



PROGRAM TYPES



Function Button: Used for determining the heaters to be used for cooking the dish to be cooked in the oven. Heater program types in this button and their functions are described below. All heater types and program types consisting of these heaters may not be available at all models.

	Turnspit		Fan
	Top + Bottom heating element		Turbo heating + Fan
	Lamp		Bottom + Top heating elements + Fan
	Bottom heating element + Fan		Grill heating element + Fan
	Grill heating element		Grill burner / Grill heating element
	Grill heating element + Lamp		Top heating element
	Electrical timer		Oven burner / Bottom heating element

WARNING: All heater types and program types consisting of these heaters may not be available at all models.

COOKING TIME TABLE

WARNING: Oven must be preheated for 10 minutes before placing the food in it.

Foods	Cooking Function	Temperature (°C)	Rack Position	Cooking Duration (min.)
Cake (Tray / Mold)	Static / Static+fan	170-180	2	35-45
Small cakes	Static / Turbo+fan	170-180	2	25-30
Patty	Static / Static+fan	180-200	2	35-45
Pastry	Static	180-190	2	25-30
Cookie	Static	170-180	3	20-25
Apple pie	Static / Turbo+fan	180-190	2	50-70
Sponge cake	Static	200/150 *	2	20-25
Pizza	Static+fan	180-200	3	20-30
Lasagna	Static	180-200	2	25-40
Meringue	Static	100	2	60
Chicken	Static+fan / Turbo+fan	180-190	2	45-50
Grilled chicken **	Grill	200-220	4	25-30
Grilled fish **	Grill+fan	200-220	4	25-30
Sirloin steak **	Grill+fan	Max.	4	15-20
Grilled meat balls **	Grill	Max.	4	20-25

* Without pre-heating. Half of the cooking should be 200 °C and then second half should be 150 °C.

** During the half of cooking, meal should be turned around.

MAINTENANCE AND CLEANING

1. While oven is operating or shortly after it starts operating, it is extremely hot. You must avoid touching from heating elements.
2. Never clean the interior part, panel, lid, trays and all other parts of the oven by the tools like hard brush, cleaning mesh or knife. Do not use abrasive, scratching agents and detergents.
3. After cleaning the interior parts of the oven with a soapy cloth, rinse it and then dry thoroughly with a soft cloth.
4. Clean the glass surfaces with special glass cleaning agents.
5. Do not clean your oven with steam cleaners.
6. Before opening the upper lid of the oven, clean spilled liquid off the lid. Also, before closing the lid, ensure that the cooker table is cooled enough.
7. Never use inflammable agents like acid, thinner and gasoline when cleaning your oven.
8. Do not wash any part of your oven in dishwasher.
9. In order to clean the front glass lid of the oven; remove the fixing screws fixing the handle by means of a screwdriver and remove the oven door. Than clean and rinse it thoroughly. After drying, place the oven glass properly and re-install the handle.

Installation Of The Oven Door

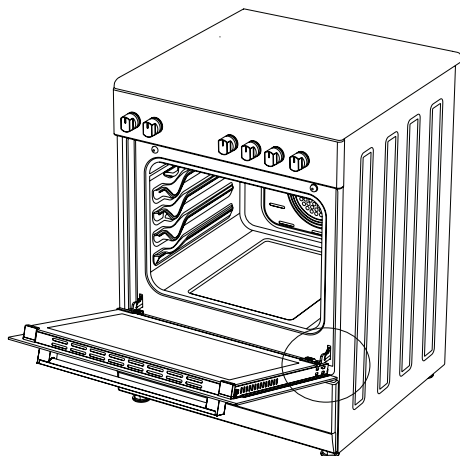


Figure 2

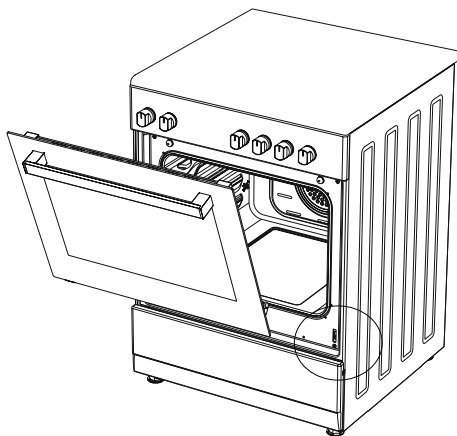


Figure 3

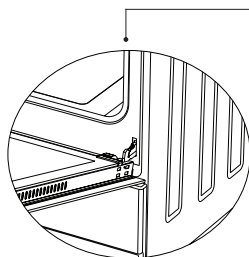


Figure 2.1

Completely open the oven door by pulling it towards you. Afterwards, perform the unlocking process by pulling the hinge lock upwards with the help of a screw driver as shown in **figure 2.1**.

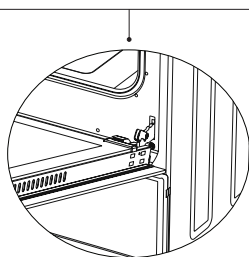


Figure 2.2

Bring the hinge lock to the widest angle as shown in **figure 2.2**. Bring both hinges connecting the oven door to the oven to the same position.

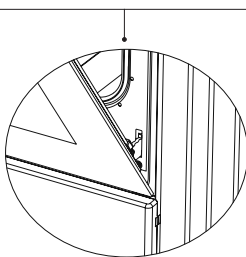


Figure 3.1

Afterwards, close the oven door as to lean on the hinge lock as shown in **figure 3.1**.

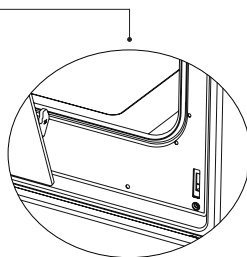


Figure 3.2

To remove the oven door, pull it upwards by holding it with both hands when close to the closed position as shown in **figure 3.2**.

In order to re-place the oven door, perform the abovementioned steps in reverse.

Cleaning And Maintenance Of The Oven's Front Door Glass

Remove the profile by pressing the plastic latches on both left and right sides as shown in figure 4 and pulling the profile towards yourself as shown in figure 5. Then remove the inner-glass as shown in figure 6. If required, middle glass can be removed in the same way. After cleaning and maintenance are done, remount the glasses and the profile in reverse order. Make sure the profile is properly seated in its place.

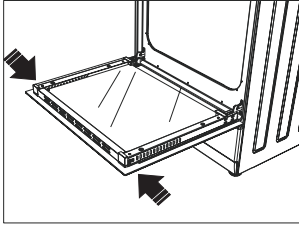


Figure 4

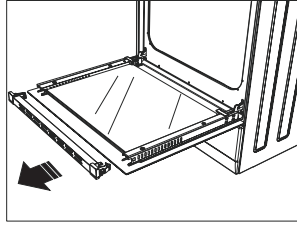


Figure 5

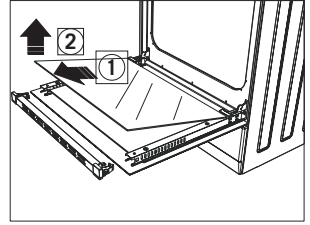


Figure 6

Catalytic Walls *

Catalytic walls are located on the left and the right side of cavity under the guides. Catalytic walls banish the bad smell and obtain the best performance from the cooker. Catalytic walls also absorb oil residue and clean your oven while it's operating.

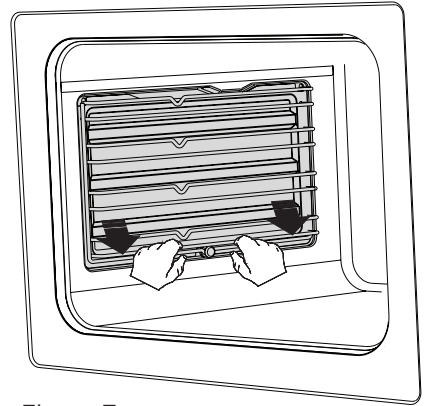
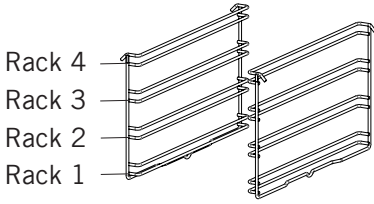


Figure 7

Removing the catalytic walls

In order to remove the catalytic walls; the guides must be pulled out. As soon as the guides are pulled out, the catalytic walls will be released automatically. The catalytic walls must be changed after 2-3 years.

Rack Positions



It is important to place the wire grill into the oven properly. Do not allow wire rack to touch rear wall of the oven. Rack positions are shown in the next figure. You may place a deep tray or a standard tray in the lower and upper wire racks.

Installing and removing wire racks

To remove wire racks, press the clips shown with arrows in the figure, first remove the lower, and then the upper side from installation location. To install wire racks; reverse the procedure for removing wire rack.

Changing The Oven Lamp

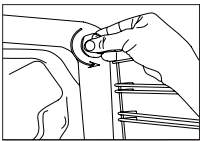
WARNING: To avoid electric shock, ensure that the appliance circuit is open before changing the lamp. (having circuit open means power is off) First disconnect the power of appliance and ensure that appliance is cold.

Remove the glass protection by turning as indicated in the figure on the left side. If you have difficulty in turning, then using plastic gloves will help you in turning.

Then remove the lamp by turning, install the new lamp with same specifications.

Reinstall glass protection, plug the power cable of appliance into electrical socket and complete replacement. Now you can use your oven.

Type G9 Lamp



220-240 V, AC
15-25 W

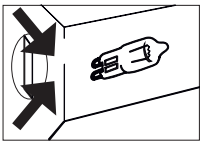
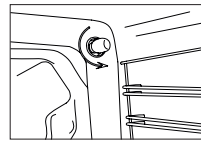


Figure 8

Type E14 Lamp



220-240 V, AC
15 W

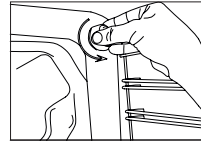


Figure 9

Using The Grill Deflector Sheet *

Not applicable for this model

1. A safety panel is designed to protect control panel and the buttons when the oven is in grill mode. (figure 10)

2. Please use this safety panel in order to avoid the heat to damage control panel and the buttons when the oven is grill mode.

WARNING: Accessible parts may be hot when the grill in use. Young children should be kept away.

3. Place the safety panel under control panel by opening the oven front cover glass. (figure 11)

4. And then secure the safety panel in between oven and front cover by gently closing the cover. (figure 12)

5. It is important for cooking to keep the cover open in specified distance when cooking in grill mode.

6. Safety panel will provide an ideal cooking circumstance while protecting control panel and buttons.

WARNING: If the cooker has the “closed grill functioned” option with thermostat, you can keep the oven door closed during operation; in this case the grill deflector sheet will be unnecessary.

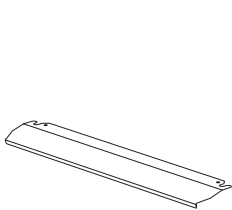


Figure 10

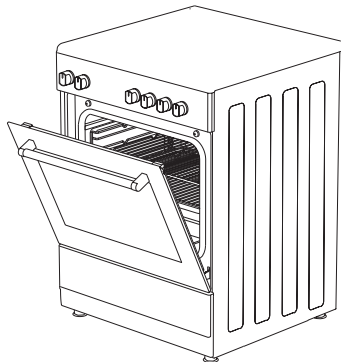


Figure 11

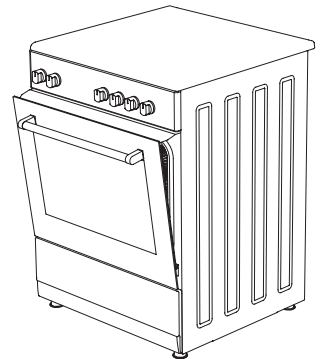


Figure 12

TROUBLESHOOTING

You may solve the problems you may encounter with your product by checking the following points before calling the technical service.

Check Points

In case you experience a problem about the oven, first check the table below and try out the suggestions.

Problem	Possible Cause	What to Do
Oven does not operate.	Power supply not available.	Check for power supply.
Turns off during cooking.	Too long continuous operation.	Let the oven cool down after long cooking cycles.
Oven door is not opening properly.	Food residues jammed between the door and internal cavity.	Clean the oven well and try to re-open the door.
Electric shock when touching the oven.	No proper grounding.	Make sure power supply is grounded properly.
	Ungrounded wall socket is used.	
Water dripping.	Water or steam may generate under certain conditions depending on the food being cooked. This is not a fault of the appliance.	Let the oven cool down and then wipe dry with a dishcloth.
Steam coming out from a crack on oven door.		
Water remaining inside the oven.		
Smoke coming out during operation.	When operating the oven for the first time	Smoke comes out from the heaters. This is not a fault. After 2-3 cycles, there will be no more smoke.
	Food on heater.	Let the oven to cool down and clean food residues from the heater.

Problem	Possible Cause	What to Do
When operating the oven burnt or plastic odour coming out.	Plastic or other not heat resistant accessories are being used inside the oven.	At high temperatures, use suitable glassware accessories.
Oven does not heat.	Oven door is open.	Close the door and restart.
	Oven controls not correctly adjusted.	Read the section regarding operation of the oven and reset the oven.
	Fuse tripped or circuit breaker turned off.	Replace the fuse or reset the circuit breaker. If this is repeating frequently, call an electrician.
Oven does not cook well.	Oven door is opened frequently during cooking.	Do not open oven door frequently, if the food you are cooking does not require turning. If you open the door frequently internal temperature drops and therefore cooking result will be influenced.
Internal light is dim or does not operate.	Foreign object covering the lamp during cooking.	Clean internal surface of the oven and check again.
	Lamp might be failed.	Replace with a lamp with same specifications.

HANDLING RULES

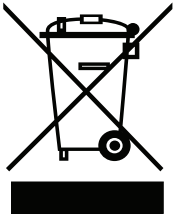
1. Do not use the door and/or handle to carry or move the appliance.
2. Carry out the movement and transportation in the original packaging.
3. Pay maximum attention to the appliance while loading/unloading and handling.
4. Make sure that the packaging is securely closed during handling and transportation.
5. Protect from external factors (such as humidity, water, etc.) that may damage the packaging.
6. Be careful not to damage the appliance due to bumps, crashes, drops, etc. while handling and transporting and not to break or deform it during operation.

RECOMMENDATIONS FOR ENERGY SAVING

Following details will help you use your product ecologically and economically.

1. Use dark coloured and enamel containers that conduct the heat better in the oven.
2. As you cook your food, if the recipe or the user manual indicates that pre-heating is required, pre-heat the oven.
3. Do not open the oven door frequently while cooking.
4. Try not to cook multiple dishes simultaneously in the oven. You may cook at the same time by placing two cookers on the wire rack.
5. Cook multiple dishes successively. The oven will not lose heat.
6. Turn off the oven a few minutes before the expiration time of cooking. In this case, do not open the oven door.
7. Defrost the frozen food before cooking.

ENVIRONMENTALLY-FRIENDLY DISPOSAL



Dispose of packaging in an environmentally-friendly manner.

This appliance is labelled in accordance with European Directive 2012/19/EU concerning used electrical and electronic appliances (waste electrical and electronic equipment - WEEE). The guideline determines the framework for the return and recycling of used appliances as applicable throughout to the EU.

PACKAGE INFORMATION

Packaging materials of the product are manufactured from recyclable materials in accordance with our National Environment Regulations. Do not dispose of the packaging materials together with the domestic or other wastes. Take them to the packaging material collection points designated by the local authorities.

Chers utilisateurs,

Fabriqué dans nos installations modernes et un environnement de travail soigné, et en conformité avec le concept de qualité absolue, cet appareil a été conçu dans l'optique de vous offrir un meilleur rendement.

Par conséquent, nous vous suggérons de lire attentivement ce manuel avant d'utiliser l'appareil et, de le garder en permanence à votre disposition.

Remarque : Ce manuel d'utilisation est élaboré pour plusieurs modèles à la fois. Par ailleurs, certaines fonctionnalités mentionnées dans ce manuel pourraient ne pas être disponibles sur votre appareil.

Tous nos appareils sont destinés à un usage domestique et non à un usage commercial.

Les produits marqués d'un (*) sont optionnels.

« **Conforme à la directive DEEE.** »

Table des matières

Avertissements importants.....	38
Méthodes de protection de la surface de cuisson en vitrocéramique.....	48
Connexion électrique.....	49
Présentation de l'appareil.....	50
Accessoires.....	51
Caractéristiques techniques de votre four.....	52
Installation de votre four.....	53
Illustration d'arrimage de chaîne.....	55
Panneau de commande.....	55
Utilisation de la section de four.....	56
Utilisation du grill.....	57
Utilisation de la rôtissoire pour poulet.....	57
Utilisation de la table de cuisson.....	58
Types de programmes.....	60
Tableau de cuisson.....	61
Maintenance et nettoyage.....	62
Assemblage de la porte du four.....	63
Nettoyage et maintenance de la vitre avant du four.....	64
Parois catalytiques.....	64
Positions de la grille.....	65
Remplacement de l'ampoule du four.....	65
Utilisation de la feuille de déflecteur de grill.....	66
Dépannage.....	67
Règles de manutention.....	69
Recommandations pour économiser l'énergie.....	69
Mise au rebut respectueuse de l'environnement.....	70
Informations relatives à l'emballage.....	70

AVERTISSEMENTS IMPORTANTS

1. L'installation et la réparation doivent toujours être effectuées par un « **SERVICE AUTORISÉ** ». Le fabricant ne peut être tenu responsable des opérations effectuées par des personnes non autorisées.

2. Veuillez lire attentivement ce mode d'emploi. Ainsi, seulement de cette manière vous pouvez utiliser l'appareil en toute sécurité et de façon correcte.

3. Le four doit être utilisé conformément aux instructions d'utilisation.

4. Veuillez vous assurer que les enfants de moins de 8 ans et les animaux domestiques soient à l'écart lors de l'utilisation.

5. **AVERTISSEMENT: Les parties accessibles peuvent être chaudes lors de l'utilisation du grill. Tenez-le hors de la portée des enfants.**

6. **AVERTISSEMENT: Risque d'incendie ; Ne stockez pas les matériaux sur la surface de cuisson.**

7. **AVERTISSEMENT: L'appareil et ses parties accessibles sont chauds lors de l'utilisation.**

8. Les conditions de réglage de cet appareil sont spécifiées sur l'étiquette. (ou sur la plaque signalétique)

9. Les pièces accessibles peuvent être chaudes lorsque le grill est en cours d'utilisation. Les enfants doivent être tenus à l'écart.

10. AVERTISSEMENT: Cet appareil est destiné à la cuisson. Il ne devrait pas être utilisé à d'autres fins comme le chauffage d'une pièce.

11. Pour nettoyer l'appareil, n'utilisez pas de nettoyeurs à vapeur.

12. Veuillez vous assurer que la porte du four soit complètement fermée après avoir mis de la nourriture dans le four.

13. N'essayez JAMAIS d'éteindre le feu avec de l'eau. Arrêtez le circuit de l'appareil et couvrez la flamme avec un couvercle ou une couverture anti-feu.

14. Les enfants de moins de 8 ans doivent être tenus à l'écart, s'ils ne peuvent pas être surveillés en permanence.

15. Il faut éviter de toucher les éléments chauffants.

16. ATTENTION ! Le processus de cuisson doit être supervisé. Le processus de cuisson doit toujours être supervisé.

17. Cet appareil peut être utilisé par des enfants de plus de 8 ans, des personnes ayant des problèmes physiques, auditifs ou mentaux ou des personnes ayant un manque d'expérience ou de connaissances; tant que le contrôle est assuré ou que des informations sont fournies sur les dangers.

18. Cet appareil a été conçu pour un usage domestique uniquement.

19. Ne laissez pas les enfants jouer avec l'appareil. Le nettoyage ou l'entretien de l'appareil ne doit pas être effectué par des enfants à moins qu'ils aient plus de 8 ans et qu'ils soient supervisés par des adultes.

20. Maintenez l'appareil et son cordon d'alimentation à l'écart des enfants de moins de 8 ans.

21. Veuillez vous assurer que les rideaux, les tulles, le papier ou tout autre matériau inflammable soient tenus à l'écart de l'appareil avant de commencer à utiliser l'appareil. Ne mettez pas de matériaux inflammables sur ou dans l'appareil.

22. Gardez les canaux de ventilation ouverts.

23. L'appareil n'est pas conçu pour être utilisé au moyen d'une minuterie externe ou d'une télécommande séparée.

24. Ne chauffez pas les boîtes fermées et les bocaux en verre. La pression peut faire exploser les bocaux.

25. La poignée du four n'est pas un sèche-serviettes. Veuillez ne pas accrocher les serviettes, etc. sur la poignée du four.

26. Veuillez ne placez pas les plateaux du four, les assiettes ou les feuilles d'aluminium directement sur la base du four. La chaleur accumulée peut endommager la base du four.

27. Lorsque vous placez des aliments ou enlevez des aliments du four, etc., veuillez toujours utiliser des gants de cuisine résistants à la chaleur.

28. N'utilisez pas le produit dans des états tels que médicamenteux et / ou sous influence d'alcool qui peuvent affecter votre capacité de jugement.

29. Soyez prudent lorsque vous utilisez de l'alcool dans vos aliments. L'alcool s'évapore à haute température et peut prendre feu pour provoquer un incendie s'il entre en contact avec des surfaces chaudes.

30. Après chaque utilisation, vérifiez si l'appareil est hors tension.

31. Si l'appareil est défectueux ou a un dommage visible, ne faites pas fonctionner l'appareil.

32. N'utilisez pas l'appareil lorsque la vitre de la porte avant est retirée ou brisée.

33. Placez le papier sulfurisé avec les aliments dans un four préchauffé en les plaçant dans une cuisinière ou sur un accessoire du four (plateau, gril, etc.).

34. Ne placez pas d'objets que les enfants peuvent atteindre sur l'appareil.

35. Il est important de placer correctement le grillage et le plateau sur les grilles et / ou de placer correctement le plateau sur le rail. Placez le gril ou le plateau entre deux rails et assurez-vous qu'il est équilibré avant de mettre de la nourriture dessus.

36. Au risque que ceux-ci entrent en contact avec les éléments chauffants du four, enlevez les parties excédentaires du papier sulfurisé qui sont suspendues à l'accessoire ou au contenant.

37. Ne l'utilisez jamais à des températures de four supérieures à la température d'utilisation maximale indiquée sur votre papier sulfurisé. Ne placez pas le papier sulfurisé sur la base du four.

38. Lorsque la porte est ouverte, ne placez aucun objet lourd sur la porte et ne laissez pas les enfants s'y asseoir. Cela peut provoquer le renversement du four ou endommager les charnières de la porte.

39. Les matériaux d'emballage sont dangereux pour les enfants. Gardez les matériaux d'emballage hors de la portée des enfants.

40. N'utilisez pas de nettoyeurs abrasifs ou de grattoirs en métal tranchants pour nettoyer la vitre, car les égratignures qui pourraient se produire sur la surface de la vitre de la porte peuvent la casser.

41. Ne frappez pas les surfaces en verre des cuisinières vitro-céramiques avec un métal dur, car cela peut endommager la résistance. Cela pourrait causer une électrocution.

42. L'utilisateur ne doit pas manipuler le four seul.

43. L'utilisateur doit être prudent lors du nettoyage des brûleurs à gaz. Cela peut causer des blessures personnelles.

44. De la nourriture peut être renversée lorsque le pied du four est démonté ou se casse, soyez prudent. Cela peut causer des blessures personnelles.

45. Lors de l'utilisation, les surfaces internes et externes du four deviennent chaudes. Lorsque vous ouvrez la porte du four, reculez pour éviter la vapeur chaude qui s'échappe de l'intérieur. Il y a un risque de brûlure.

46. Le couvercle supérieur du four peut être fermé pour une raison. Reculez pour éviter que la nourriture chaude ne vous tombe dessus. Il y a un risque de brûlure.

47. Ne placez pas d'objets lourds lorsque la porte du four est ouverte, car il y a un risque de basculement.

48. L'utilisateur ne doit pas disloquer la résistance lors du nettoyage. Cela pourrait causer une électrocution.

49. Ne retirez pas les interrupteurs d'allumage de l'appareil. Sinon, des câbles électriques sous tension sont accessibles. Cela pourrait causer une électrocution.

50. L'alimentation du four peut être déconnectée lors de travaux de construction à la maison. Lorsque les travaux sont terminés, la re-connexion du four doit être effectuée par un technicien agréé.

51. Ne placez pas d'ustensiles en métal tels qu'un couteau, une fourchette ou une cuillère sur la surface de l'appareil, car ils deviendront chauds.

52. Pour éviter toute surchauffe, l'appareil ne doit pas être installé derrière un couvercle décoratif.

53. Éteignez l'appareil avant de retirer les protections. Après le nettoyage, installez les protections conformément aux instructions.

- 54.** Le point de fixation du câble doit être protégé.
- 55.** Veuillez ne pas faire cuire les aliments directement sur le plateau/la grille. Veuillez mettre la nourriture dans ou sur les plats appropriés avant de les mettre dans le four.
- 56. ATTENTION: Si la vitre du four est cassée, éteignez immédiatement tout élément chauffant et débranchez l'appareil de la source d'alimentation, ne touchez pas la surface de l'appareil et n'utilisez pas l'appareil.**

Sécurité électrique

1. Demandez à un électricien agréé de régler l'équipement de mise à la terre. Notre société ne sera pas responsable des dommages qui seraient encourus en raison de l'utilisation du produit sans mise à la terre conformément à la réglementation locale.

2. Les interrupteurs du disjoncteur du four doivent être placés de telle sorte que l'utilisateur final puisse les atteindre lorsque le four est installé.

3. Le cordon d'alimentation ne doit pas entrer en contact avec les parties chaudes de l'appareil.

4. Si le cordon d'alimentation est endommagé, faites-le remplacer par le fabricant, son agent de service ou par un personnel à compétence égale, afin d'éviter toute situation dangereuse.

5. Ne lavez jamais le produit en le pulvérisant ou en versant de l'eau dessus ! Il y a un risque d'électrocution.

6. AVERTISSEMENT: Pour éviter les chocs électriques, assurez-vous que le circuit de l'appareil soit ouvert avant de changer la lampe.

7. AVERTISSEMENT: Coupez toutes les connexions du circuit d'alimentation avant d'accéder aux bornes.

8. AVERTISSEMENT: Si la surface est fissurée, éteignez l'appareil pour éviter tout risque de choc électrique.

9. N'utilisez pas de cordons coupés ou endommagés ou de rallonges autres que le cordon d'origine.

10. La surface arrière du four chauffe également lorsque le four est utilisé. Les connexions électriques ne doivent pas toucher la surface arrière, sinon les connexions pourraient être endommagées.

11. Ne serrez pas les câbles de raccordement à la porte du four et ne les passez pas sur des surfaces chaudes. Si le cordon fond, cela pourrait provoquer un court-circuit et même un incendie.

12. Si le câble d'alimentation est endommagé, faites-le remplacer par son fabricant, par un service technique agréé ou par un personnel qualifié de même niveau afin d'éviter toute situation dangereuse.

13. N'utilisez pas de nettoyeur à vapeur pour nettoyer l'appareil, sinon un choc électrique pourrait se produire.

14. Un interrupteur omnipolaire capable de déconnecter l'alimentation est nécessaire pour l'installation. Le débranchement de l'alimentation doit être fourni avec un interrupteur ou un fusible intégré installé sur une source d'alimentation fixe conformément au code du bâtiment.

15. L'appareil est équipé d'un câble de **type «Y»**.

16. Les connexions fixes doivent être connectées à une alimentation permettant une déconnexion omnipolaire. Pour les appareils avec une catégorie de surtension inférieure à III, le dispositif de déconnexion doit être raccordé à une alimentation fixe conformément au code de câblage.

Utilisation prévue

1. Ce produit est conçu pour un usage domestique. L'utilisation commerciale de l'appareil n'est pas autorisée.

2. Cet appareil doit être utilisé uniquement pour la cuisine. Il ne devrait pas être utilisé à d'autres fins tel que le chauffage d'une pièce.

3. Cet appareil ne doit pas être utilisé pour chauffer des assiettes sous le gril, ou pour sécher des vêtements ou des serviettes en les accrochant sur la poignée ou à des fins de chauffage.

4. Le fabricant ne sera pas tenu responsable de tout dommage résultant d'une mauvaise utilisation ou manipulation.

5. La partie du four de l'appareil peut être utilisée pour décongeler, rôtir, frire et griller les aliments.

6. La durée de vie opérationnelle de l'appareil que vous avez acheté est de 10 ans. Il s'agit de la période pendant laquelle les pièces détachées nécessaires au fonctionnement de cet appareil tel que défini sont fournies par le fabricant.

Méthodes de protection de la surface de cuisson en vitrocéramique

La surface en vitrocéramique est incassable et résiste aux rayures dans une certaine mesure. Cependant, pour éviter tout dommage, veuillez procéder comme suit:

1. Ne jamais verser de l'eau froide sur les cuiseurs chauds.
2. Ne vous tenez pas sur une plaque de vitrocéramique
3. Une pression soudaine, par exemple, l'effet d'une chute de salière peut être critique. Donc, ne placez pas de tels objets sur un endroit au-dessus des plaques de cuisson.
4. Après chaque utilisation, assurez-vous que la base de la marmite et les surfaces des zones de cuisson sont propres et sèches.
5. N'épluchez pas les légumes sur les surfaces de la table de cuisson. Les grains de sable qui tombent des légumes peuvent rayer la plaque de verre en céramique.
6. Ne posez pas de matériaux inflammables tels que du carton ou du plastique sur le four. Des objets tels que l'étain, le zinc ou l'aluminium (ainsi que des feuilles d'aluminium ou des cafetières vides) peuvent fondre sur les surfaces de cuisson chaudes et causer des dommages.
7. Veillez à ne pas laisser les aliments sucrés ou les jus de fruits entrer en contact avec les zones de cuisson chaudes. La surface en vitrocéramique peut être tachée par ceux-ci.

Connexion Electrique

1. Votre four fonctionne avec des fusibles de 40 ampères selon la puissance du four. Si nécessaire, une installation par un électricien qualifié est recommandée.

2. Votre four est réglé en conformité avec une alimentation électrique de 220-240V / 380-415V AC, 50/60 Hz. Si le courant est différent de cette valeur spécifiée, contactez votre centre de service autorisé.

3. Le four doit être relié à la terre et il faut que la connexion soit installée en conformité avec les réglementations. S'il n'y a pas de prise adéquate avec la terre là où le four sera installé, contactez immédiatement un électricien qualifié. Le fabricant ne sera jamais responsable des dommages dus au fait que l'appareil est connecté à des prises sans la terre. Si l'extrémité du câble de connexion électrique est ouverte, selon le type d'appareil, installez un interrupteur de secteur approprié sur le réseau par lequel toutes les extrémités peuvent être déconnectées en cas de connexion / déconnexion du /au réseau.

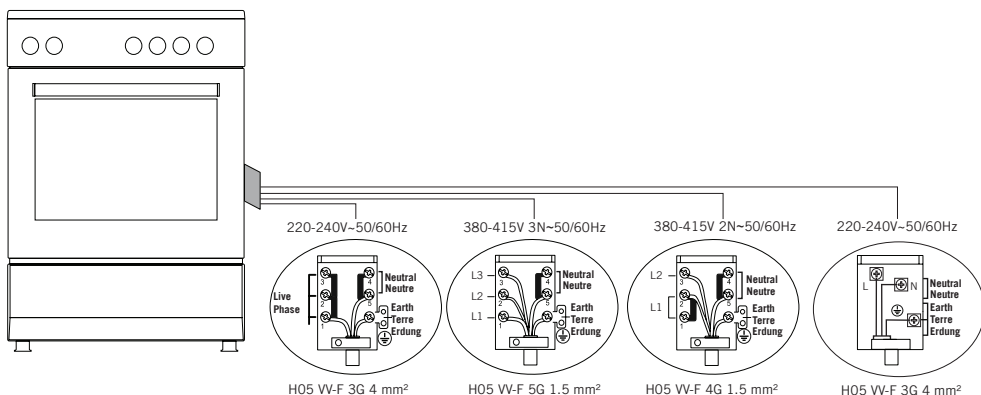
4. Si le cordon d'alimentation est endommagé il doit être remplacé par le fabricant, un réparateur agréé ou toute personne qualifiée, afin d'éviter tout danger.

5. Le câble électrique ne doit pas être en contact avec les pièces chaudes de l'appareil.

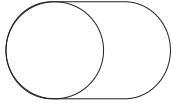
6. Veuillez utiliser votre four dans une atmosphère sèche.

7. Au moment de positionner votre four dans son emplacement, il doit être au niveau du plan de travail. Ramenez-le à ce niveau à l'aide des pieds si nécessaire.

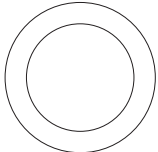
Connexion électrique schéma



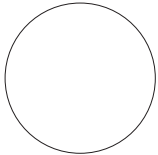
PRESENTATION DE L'APPAREIL



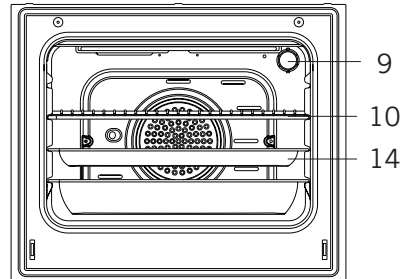
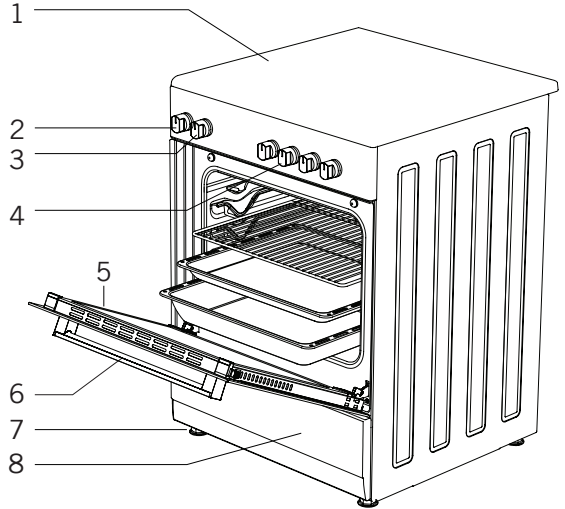
11



12



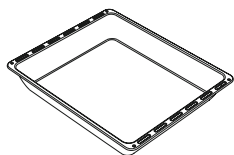
13



1. Plateau en verre
2. Bouton de thermostat
3. Bouton de commande pour four
4. Régulateurs pour plaques vitrocéramiques
5. Porte du four
6. Poignée
7. Jambe en plastique
8. Porte de l'armoire inférieure

9. Ampoule
10. Grill
11. Réchauffeur en céramique (140 mm / 250 mm)*
12. Réchauffeur en céramique (120 mm / 180 mm)*
13. Réchauffeur en céramique (140 mm ou 180 mm)
14. Plateau

Accessoires



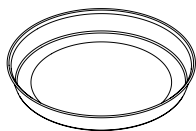
Bac de déversement *

Utilisé pour les pâtisseries, les aliments frits et les recettes de ragoût. En cas de friture directe sur le gril pour les gâteaux, les aliments congelés et les plats de viande, le plateau de récupération d'huile peut être utilisé.



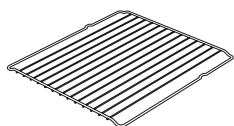
Plateau

Utilisé pour les pâtisseries (cookies, biscuits, etc.) et les aliments congelés.



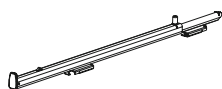
Plateau round *

Utilisée pour les farinages et produits congelés.



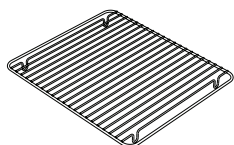
Grille métallique

Utilisée pour frire et/ou placer les aliments à cuire, frits et congelés sur la grille désirée.



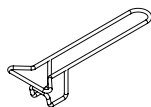
Rail télescopique *

A l'aide de rails télescopiques, les plateaux et/ou les grilles métalliques peuvent être facilement montés et démontés.



Dans le grillage *

Les aliments qui peuvent attacher lors de la cuisson, tels que les steaks, sont placés sur la grille du plateau. Ainsi, le contact et le collage de la nourriture sont évités.



Poignée du plateau *

Il est utilisé pour tenir des plateaux chauds.

Caracteristiques Techniques De Votre Four

Spécifications	50x55	50x60	60x60
Largeur extérieure	500 mm	500 mm	600 mm
Profondeur extérieure	565 mm	630 mm	630 mm
Hauteur extérieure	855 mm	855 mm	855 mm
Puissance de la lampe	15-25 W		
Élément chauffant inférieur	1000 W	1000 W	1200 W
Élément chauffant supérieur	800 W	800 W	1000 W
Élément de chauffage turbo	-----	1800 W	-----
Élément de chauffage de la grille	1500 W	1500 W	2000 W
Tension d'alimentation	220-240V AC/380-415V AC 50/60 Hz		
Plaque chauffante 145 mm *	1000 W		
Plaque chauffante 180 mm *	1500 W		
Plaque chauffante rapide 145 mm *	1500 W		
Plaque chauffante rapide 180 mm *	2000 W		
Réchauffeur en céramique 140 mm *	1200 W		
Réchauffeur en céramique 180 mm *	1700 W / 1800 W		
Réchauffeur en céramique 140 mm / 250 mm *	1800 W		
Réchauffeur en céramique 120 mm / 180 mm *	1700 W		

AVERTISSEMENT: Pour que la modification soit effectuée par un service autorisé, ce tableau doit être pris en compte. Le fabricant ne peut être tenu responsable des problèmes qui pourraient survenir à cause d'une modification défectueuse.

AVERTISSEMENT: Afin d'améliorer la qualité du produit, les spécifications techniques peuvent être modifiées sans préavis.

AVERTISSEMENT: Les valeurs fournies avec l'appareil ou les documents qui l'accompagnent sont des valeurs de laboratoire conformes aux normes respectives. Ces valeurs peuvent varier en fonction de l'utilisation et des conditions ambiantes.

INSTALLATION DE VOTRE FOUR

Vérifiez si l'installation électrique est appropriée pour mettre l'appareil en état de fonctionnement. Si l'installation électrique ne convient pas, appelez un électricien et un plombier pour les organiser au besoin. Le fabricant ne peut être tenu responsable des dommages causés par des opérations effectuées par des personnes non autorisées.

AVERTISSEMENT: Il est de la responsabilité du client de préparer l'emplacement où l'appareil doit être placé et d'avoir également une source d'électricité préparée.

AVERTISSEMENT: Les règles dans les normes locales concernant les installations électriques doivent être respectées lors de l'installation de l'appareil.

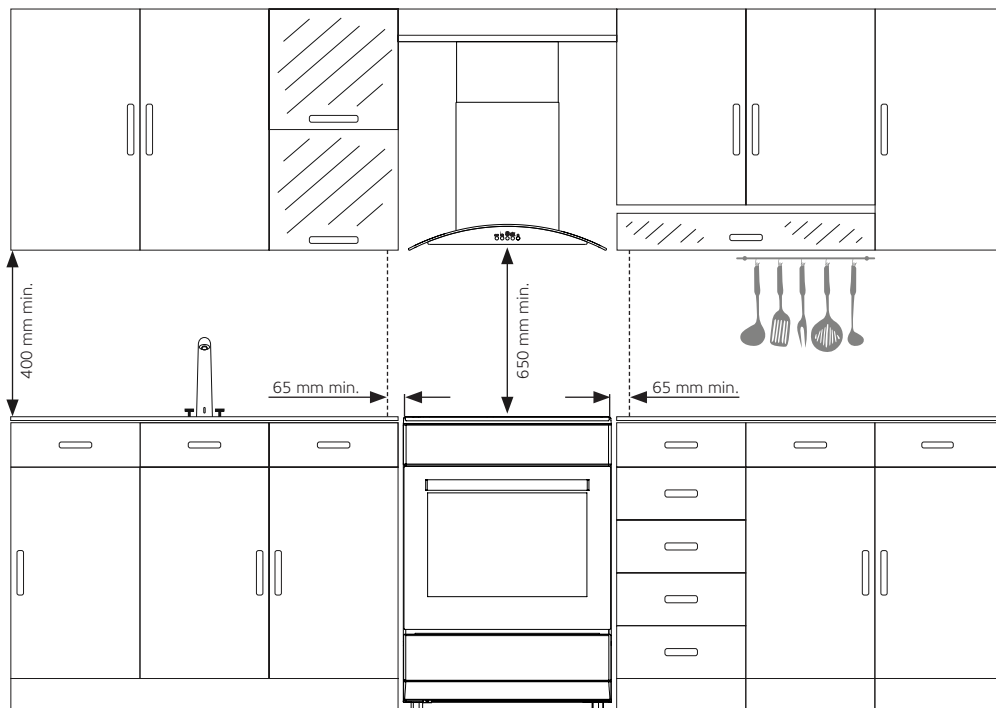
AVERTISSEMENT: Vérifiez s'il y a des dommages sur l'appareil avant de l'installer. N'installez pas l'appareil s'il est endommagé. Les appareils endommagés présentent un danger pour votre sécurité.

Endroit approprié pour l'installation et avertissements importants

Les pieds de l'appareil ne doivent pas rester sur des surfaces molles telles que les tapis. Le plancher de la cuisine doit être durable pour supporter le poids de l'unité et tous les autres ustensiles de cuisine pouvant être utilisés sur le four.

L'appareil doit être utilisé avec un dégagement d'au moins 400 mm sur les surfaces de cuisson supérieures et de 65 mm sur les surfaces latérales à l'intérieur des meubles de cuisine.

L'appareil peut être utilisé sur les deux parois latérales, sans aucun support, ou sans être installé dans une armoire. Si une hotte ou un aspirateur doit être installé au-dessus de la cuisinière, suivez les instructions du fabricant pour la hauteur de montage. (min. 650 mm)

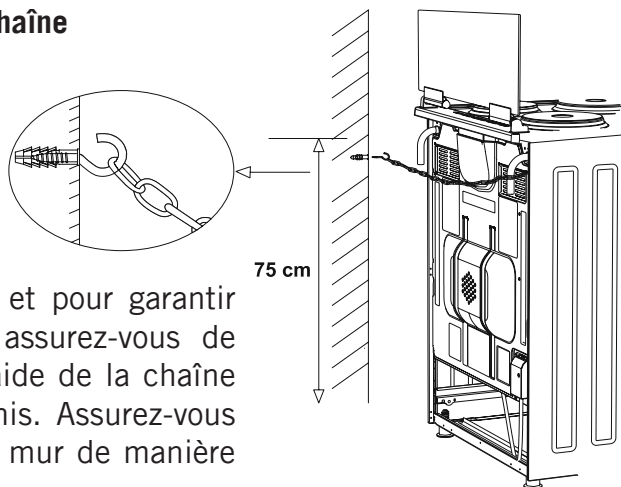


AVERTISSEMENT: Les meubles de cuisine près de l'appareil doivent être résistants à la chaleur.

AVERTISSEMENT: N'installez pas l'appareil à proximité de réfrigérateurs ou de congélateurs. La chaleur émise par l'appareil augmente la consommation d'énergie des dispositifs de refroidissement.

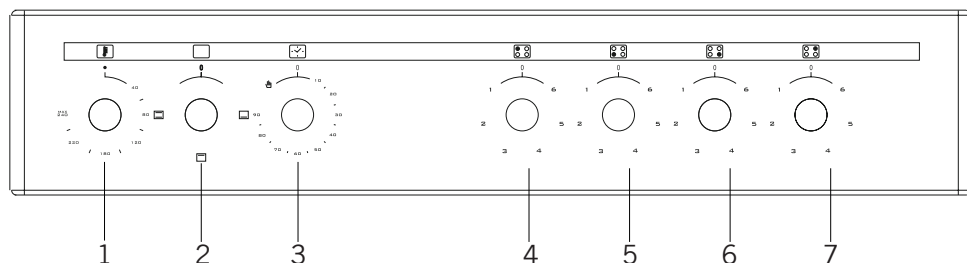
AVERTISSEMENT: N'utilisez pas la porte et / ou la poignée pour transporter ou déplacer l'appareil.

Illustration D'arrimage De Chaîne



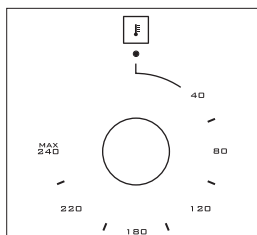
Avant d'utiliser l'appareil et pour garantir une utilisation sécurisée, assurez-vous de fixer l'appareil au mur à l'aide de la chaîne et de la vis à crochet fournis. Assurez-vous que le crochet est vissé au mur de manière sécurisée.

PANNEAU DE COMMANDE

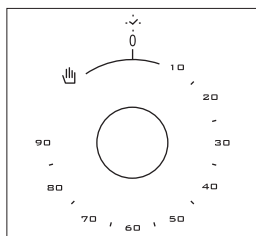


1. Thermostat
2. Bouton de sélection de fonctions
3. Minuterie mécanique *
4. Feu électrique arrière gauche
5. Feu électrique avant gauche
6. Feu électrique avant droit
7. Feu électrique arrière droit

AVERTISSEMENT : Le panneau de contrôle ci-dessus est uniquement à des fins d'illustration. Examinez le panneau de commande de votre appareil.



Thermostat: Utilisé pour déterminer la température de cuisson du plat à cuire au four. Après avoir placé la nourriture à l'intérieur du four, tournez le bouton pour ajuster le réglage de température souhaité entre 40-240 °C. Pour la température de cuisson de différents aliments, consultez le tableau de cuisson.



Minuterie mécanique Utilisée pour déterminer la période pour la cuisson au four. Lorsque la durée réglée est expirée, l'alimentation des feux est coupée et un signal d'avertissement sonore est émis. La minuterie mécanique peut être ajustée à la période souhaitée entre 0 et 90 minutes. Pour les périodes de cuisson, consultez les tableaux de cuisson.

UTILISATION DE LA SECTION DE FOUR

Utilisation Des Éléments Chauffants Du Four

1. Lorsque vous utilisez votre four pour la première fois, une odeur se dégage pendant l'utilisation des éléments chauffants. Pour éliminer ces odeurs, faites-le fonctionner à 240 °C pendant 45 à 60 minutes lorsqu'il est vide.

2. Positionnez le bouton de commande du four sur la valeur souhaitée, autrement le four ne fonctionne pas.

3. Les types de repas, les temps de cuisson et les positions du thermostat sont présentés dans le tableau de cuisson. Les valeurs indiquées dans le tableau de cuisson sont des valeurs caractéristiques. Elles ont été obtenues grâce aux tests réalisés dans notre laboratoire. Vous pouvez trouver des arômes différents à votre goût en fonction de votre façon de cuisiner et de vos habitudes.

4. Vous pouvez faire cuire un poulet dans votre four avec le tournebroche en utilisant les accessoires appropriés.

5. Temps de cuisson: Les résultats peuvent varier en fonction de la tension, de la qualité, de la quantité et des températures.

6. Évitez d'ouvrir fréquemment la porte du four lorsqu'une cuisson est en cours. Autrement, la chaleur pourrait être distribuée de façon inappropriée et les résultats attendus peuvent changer.

Utilisation Du Grill

1. Lorsque vous placez le grill sur le panier supérieur, les aliments sur le grill ne doivent pas toucher le grill.
2. Vous pouvez préchauffer pendant 5 minutes tout en grillant. Si nécessaire, vous pouvez retourner la nourriture à l'envers.
3. Les aliments doivent être au centre du grill pour assurer un débit d'air maximal à travers le four.

Pour allumer le grill:

1. Placez le bouton de fonction sur le symbole du grill.
2. Ensuite, réglez-le à la température désirée du grill.

Pour éteindre le grill

Réglez le bouton de fonction sur la position d'arrêt.

AVERTISSEMENT: Gardez la porte du four fermée pendant la cuisson.
(grill électrique)

AVERTISSEMENT: Gardez la porte du four ouverte pendant la cuisson.
(grill à gaz)

Utilisation De La Rôtissoire Pour Poulet *

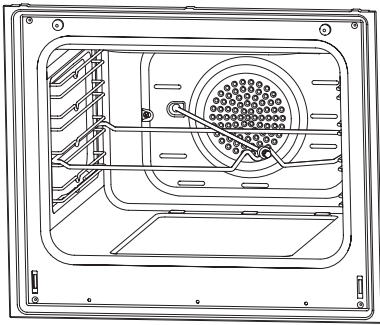


Figure 1

Placez la broche à rôtir sur le cadre. Faites glisser le cadre de la broche à rôtir dans le four au niveau souhaité. Installez le récipient de récupération à travers la partie inférieure pour la récupération des aliments. Ajoutez de l'eau dans le récipient de récupération pour un nettoyage facile. N'oubliez pas de retirer le plastique de la broche à rôtir. Après la cuisson, vissez la poignée plastique sur la brochette et retirez les aliments du four.

Utilisation De La Table De Cuisson

Utilisation et description de la plaque de cuisson

	Niveau 1	Niveau 2	Niveau 3	Niveau 4	Niveau 5	Niveau 6	Niveau 7	Niveau 8	Niveau 9	Max.
140 mm Commutateur	130 W	206 W	350 W	500 W	850 W	1200 W	---	---	---	---
180 mm Commutateur	180 W	470 W	790 W	850 W	1230 W	1700 W	---	---	---	---
180 mm Régulateur	1800 W	1800 W	1800 W	1800 W	1800 W	1800 W	1800 W	1800 W	1800 W	---
140/250 mm	1000 W	1000 W	1000 W	1000 W	1000 W	1000 W	1000 W	1000 W	1000 W	1800 W
120/180 mm Double	700 W	700 W	700 W	700 W	700 W	700 W	700 W	700 W	700 W	1700 W

1. Allumez la plaque de cuisson à l'aide des boutons présents sur le panneau de configuration. Vous pouvez régler la puissance en fonction de la température désirée.

2. Afin d'avoir une cuisson réussite, le fond de la casserole doit être épaisse et droite si possible.

3. La dimension de la casserole doit être identique à celle de la zone de cuisson. Eteindre la zone de cuisson avant la fin de la cuisson afin de gagner de la chaleur restante.

4. Pour allumer tourner le bouton dans le sens des aiguilles d'une montre. La température est limitée avec l'indicateur se trouvant sur le bouton.

5. Pour une double cuisson, le premier cercle sert de zone unique, le second cercle s'allumera après avoir positionner le bouton sur "max". Quand vous tournerez le bouton, le premier cercle s'allumera au maximum et la puissance du second diminuera jusqu'à obtenir le température souhaitée. Sur la position « 0 » tout toutes les zones s'éteindront

Utilisation Des Plaques Chauffantes

	Niveau 1	Niveau 2	Niveau 3	Niveau 4	Niveau 5	Niveau 6
80 mm	200 W	250 W	450 W	---	---	---
145 mm	250 W	750 W	1000 W	---	---	---
180 mm	500 W	750 W	1500 W	---	---	---
145 mm rapide	500 W	1000 W	1500 W	---	---	---
180 mm rapide	850 W	1150 W	2000 W	---	---	---
145 mm	95 W	155 W	250 W	400 W	750 W	1000 W
180 mm	115 W	175 W	250 W	600 W	850 W	1500 W
145 mm rapide	135 W	165 W	250 W	500 W	750 W	1500 W
180 mm rapide	175 W	220 W	300 W	850 W	1150 W	2000 W
220 mm	220 W	350 W	560 W	910 W	1460 W	2000 W

1. Les plaques chauffantes électriques possèdent en général 6 niveaux de température. (comme décrit ci-dessus)

2. Lors de la première utilisation, faites fonctionner votre plaque chauffante électrique sur la position 6 pendant 5 minutes. De cette façon, l'agent sensible à la chaleur de votre plaque va durcir sous l'effet de la combustion.

3. Servez-vous autant que possible des casseroles à fond plat qui entrent pleinement en contact avec la chaleur, car elles garantissent une utilisation plus productive de l'énergie.



Correct



Incorrect

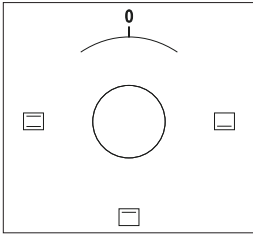


Incorrect



Incorrect

TYPES DE PROGRAMMES



Boutons de fonction : Utilisé pour déterminer les feux devant être utilisés pour le plat à cuire au four. Les types de programmes de chauffage de ce bouton et leurs fonctions sont décrits ci-dessous. Tous les types de chauffage et les types de programme composés de ces appareils de chauffage peuvent ne pas être disponibles sur tous les modèles.

	Tourne broche		Ventilateur
	Élément chauffant supérieur et inférieur éléments		Élément chauffant turbo et ventilateur
	Lampe		Élément chauffant inférieur et supérieur et ventilateur
	Élément chauffant inférieur et ventilateur		Gril et ventilateur
	Grill et tournebroche		Gril
	Grille et lampe		Élément chauffant supérieur
	Minuterie électrique		Élément chauffant inférieur

AVERTISSEMENT : Tous les types de chauffage et les types de programme composés de ces appareils de chauffage peuvent ne pas être disponibles sur tous les modèles.

TABLEAU DE CUISSON

AVERTISSEMENT: Le four doit être préchauffé pendant 10 minutes avant d'y placer des aliments.

Plats	Fonction de Cuisson	Temperature (°C)	Position de La Grille	Temps de Cuisson (min.)
Gâteau	Statique / Statique+Ventilateur	170-180	2	35-45
Petits gâteaux	Statique / Turbo+Ventilateur	170-180	2	25-30
Petit pâté	Statique / Statique+Ventilateur	180-200	2	35-45
Pâtisserie	Statique	180-190	2	25-30
Cookies	Statique	170-180	3	20-25
Tarte aux pommes	Statique / Turbo+Ventilateur	180-190	2	50-70
Gateau éponge	Statique	200/150 *	2	20-25
Pizza	Statique+Ventilateur	180-200	3	20-30
Lasagne	Statique	180-200	2	25-40
Meringue	Statique	100	2	60
Poulet	Statique+Ventilateur / Turbo+Venti.	180-190	2	45-50
Poulet grillé **	Gril	200-220	4	25-30
Poisson grillé **	Gril+Ventilateur	200-220	4	25-30
Contrefilet **	Gril+Ventilateur	Max.	4	15-20
Boulette de viande **	Gril	Max.	4	20-25

* Sans préchauffage. La moitié de la cuisson doit se faire à une température de 200 °C et la deuxième moitié à 150 °C.

** Pendant la moitié de la cuisson, retournez la viande.

MAINTENANCE ET NETTOYAGE

1. Pendant que le four marche ou peu après, il est extrêmement chaud. Il vous faut éviter de toucher les éléments chauffants.
2. Ne nettoyez jamais la partie intérieure, le panneau, le couvercle, les tiroirs et toutes les autres pièces du four avec des outils comme une brosse dure, une éponge métallique ou un couteau. N'utilisez pas de produits abrasifs, qui rayent et des détergents.
3. Après avoir nettoyé les parties intérieures du four avec un chiffon savonneux, rincez et séchez complètement avec un chiffon sec.
4. Nettoyez les surfaces en verre avec des nettoyants spéciaux pour verre.
5. Ne nettoyez pas votre four avec des nettoyeurs à vapeur.
6. Avant d'ouvrir le couvercle supérieur du four, nettoyez le liquide se trouvant sur le couvercle. De plus, avant de le fermer, assurez-vous que la plaque de cuisson est suffisamment refroidie.
7. N'utilisez jamais de produits inflammables comme un acide, un solvant et de l'essence lorsque vous nettoyez votre four.
8. Ne lavez pas d'élément de votre four dans votre lave-vaisselle.
9. Pour nettoyer la porte frontale en verre du four, enlevez les vis de fixation de la poignée avec un tournevis et enlevez la porte du four. Puis nettoyez et rincez complètement. Après séchage, remplacez la porte correctement et réinstallez la poignée.

Assemblage De La Porte Du Four

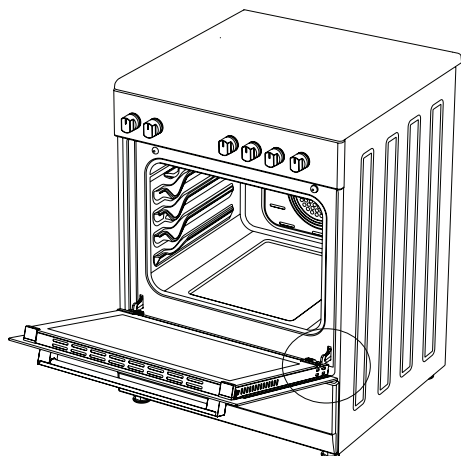


Figure 2

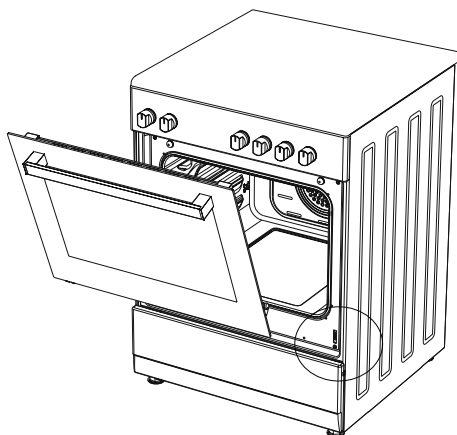


Figure 3

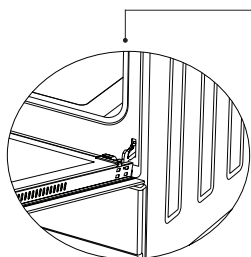


Figure 2.1

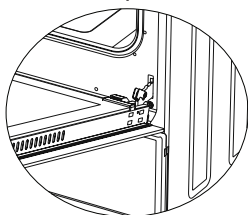


Figure 2.2

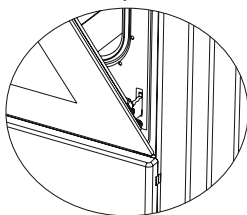


Figure 3.1

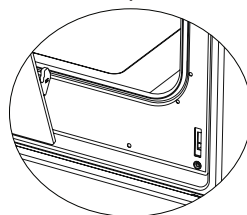


Figure 3.2

Ouvrir complètement la porte du four en la tirant vers vous. Puis, comme indiqué sur le **figure 2.1**, réaliser l'opération de déverrouillage en tirant vers le haut le verrou de la charnière à l'aide d'un tournevis.

Positionnez le verrou de la charnière au degré d'angle le plus grand comme sur le **figure 2.2**. Positionner de la même façon les deux charnières qui attachent la porte du four au four.

Puis fermer la porte du four que vous avez ouvert en le posant sur le verrou de la charnière jusqu'à qu'elle soit en position, comme sur le **figure 3.1**.

Pour retirer la porte du four, lorsque vous êtes au niveau proche de la position fermée, tenir la porte avec les deux mains et tirer vers le haut comme indiqué sur le **figure 3.2**.

Pour remettre la porte du four à sa place, effectuer les mêmes opérations dans le sens inverse.

Nettoyage Et Entretien De La Vitre De La Porte Avant Du Four

Retirez le profilé en appuyant sur les loquets en plastique des côtés gauche et droit, comme illustré à la figure 4, et tirez-le vers vous, comme illustré à la figure 5. Puis, retirez la vitre intérieure, comme illustré à la figure 6. Au besoin, procédez de la même manière pour le retrait de la vitre du milieu. Une fois le nettoyage et l'entretien achevés, remplacez les vitres et le profilé dans l'ordre inverse. Assurez-vous que le profilé est placé comme il convient.

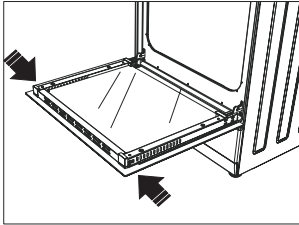


Figure 4

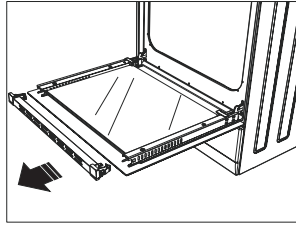


Figure 5

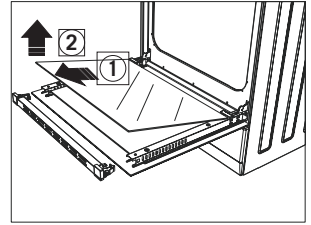


Figure 6

Parois Catalytiques *

Les parois catalytiques se trouvent à gauche et à droite de la cavité située sous les guides. Les parois catalytiques expulsent la mauvaise odeur et permettent d'obtenir une meilleure performance de la cuisinière. Elles absorbent également les résidus d'huile et nettoient votre four lorsqu'il est en marche.

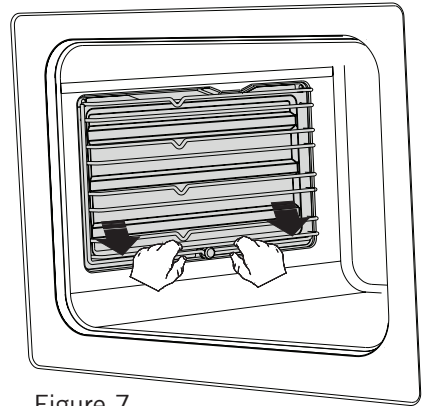
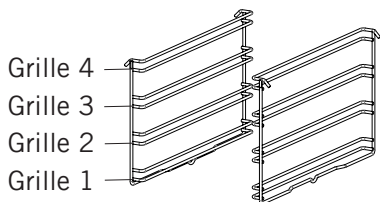


Figure 7

Retrait des parois catalytiques

Pour retirer les parois catalytiques, vous devez retirer les guides. Une fois les guides démontés, les parois catalytiques seront dégagées automatiquement. Vous devez changer les parois catalytiques après 2 ou 3 ans.

Positions De La Grille



Il est important de placer correctement la grille dans le four. Ne laissez pas la grille toucher la paroi arrière du four. Les positions de la grille sont indiquées dans la figure suivante. Vous pouvez placer un plateau profond ou un plateau standard sur les grilles inférieures et supérieures.

Installation et retrait des supports de câbles

Pour retirer les grilles, appuyez sur les clips indiqués par les flèches sur la figure, enlevez en premier lieu le bas et le côté supérieur de l'emplacement d'installation. Pour installer une grille ; effectuez l'inverse de la procédure de retrait d'une grille.

Remplacement De L'ampoule Du Four

AVERTISSEMENT: Pour éviter un choc électrique, assurez-vous que le circuit de l'appareil soit ouvert avant de changer la lampe. (tenir le circuit d'alimentation ouvert signifie que l'alimentation est coupée)

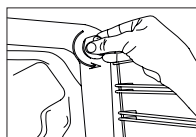
Coupez l'alimentation de l'appareil dans un premier temps et veillez à ce que l'appareil soit froid.

Retirez la protection en verre en la faisant tourner vers le côté gauche tel qu'indiqué sur la figure. Utilisez des gants en plastique pour vous aider si vous avez des difficultés à la faire tourner.

Ensuite, retirez l'ampoule en la faisant tourner, montez la nouvelle ampoule en suivant les mêmes instructions.

Réinstallez la protection en verre, branchez le câble d'alimentation de l'appareil dans la prise électrique et complétez l'opération de remplacement. Vous pouvez désormais utiliser votre four.

Type de lampe G9



220-240 V, AC
15-25 W

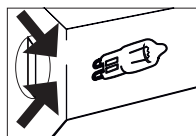


Figure 8

Type de lampe E14



220-240 V, AC
15 W



Figure 9

Utilisation De La Feuille De Délecteur De Grill * Pas nécessaire pour ce modèle

1. Un panneau de sécurité est conçu pour protéger le panneau de commande et les boutons lorsque le four est en mode grill. (figure 10)

2. Veuillez utiliser ce panneau de sécurité afin d'éviter que la chaleur n'endommage le panneau de commande et les boutons lorsque le four est en mode grill.

AVERTISSEMENT: Les pièces accessibles peuvent être chaudes lorsque le grill est utilisé. Tenez les jeunes enfants éloignés de l'appareil.

3. Placez le panneau de sécurité sous le panneau de commande en ouvrant la vitre avant du four. (figure 11)

4. Ensuite, fixez le panneau de sécurité entre le four et le couvercle avant en fermant doucement le couvercle. (figure 12)

5. Il est important pour la cuisson de garder le couvercle ouvert à la distance spécifiée lors de la cuisson en mode grill.

6. Le panneau de sécurité fournira une circonstance de cuisson idéale tout en protégeant le panneau de contrôle et les boutons.

AVERTISSEMENT: Si la cuisinière possède l'option "gril fermé" avec thermostat, vous pouvez garder la porte du four fermée pendant le fonctionnement; dans ce cas, la feuille de déflecteur du grill sera inutile.

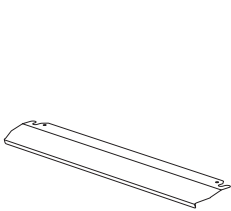


Figure 10

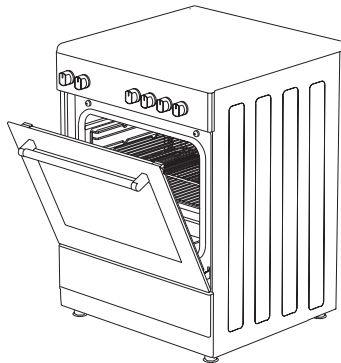


Figure 11

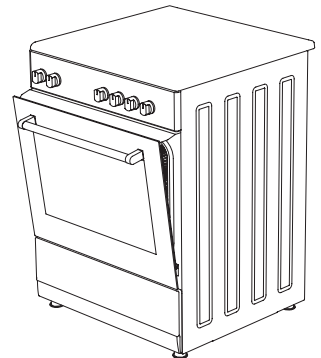


Figure 12

DÉPANNAGE

Vous pouvez résoudre les problèmes que vous pouvez rencontrer avec votre appareil en vérifiant les points suivants avant d'appeler le service technique.

Point de Contrôle

Si vous rencontrez un problème avec le four, vérifiez en premier lieu le tableau ci-dessous et essayez les suggestions.

Problème	Causes probables	Action
Le four ne fonctionne pas.	L'alimentation électrique n'est pas disponible	Vérifiez l'alimentation électrique.
S'éteint pendant la cuisson.	Fonctionnement continu trop long	Laissez le four refroidir après de longs cycles de cuisson.
La porte du four ne s'ouvre pas correctement.	Résidus d'aliments coincés entre la porte et la cavité interne.	Nettoyer à fond le four et essayez De ré-ouvrir la porte.
Un choc électrique lors du contact avec le four.	Pas de mise à la terre appropriée.	Assurez-vous que l'alimentation électrique est correctement mise à la terre.
	Une prise murale non mise à la terre est utilisée.	
De l'eau qui goutte.	L'eau ou la vapeur peuvent se produire dans certaines conditions selon l'aliment en cours de cuisson. Ce n'est pas une faute de l'appareil.	Laissez le four refroidir et essuyez avec un torchon.
Vapeur s'échappant d'une fissure sur la porte du four.		
L'eau reste à l'intérieur du four.		
Fumée sortant pendant l'utilisation.	Lorsque vous utilisez le four pour la première fois.	La fumée sort des éléments chauffants. Ce n'est pas une faute. Après 2 ou 3 cycles, il n'y aura plus de fumée.
	Nourriture sur les éléments chauffants	Laissez le four refroidir et nettoyez les résidus d'aliments

Problème	Causes probables	Action
Lorsque vous faites fonctionner le four, une odeur de plastique brûlé ou sort.	Des accessoires en plastique ou autres résistants à la chaleur sont utilisés à l'intérieur du four.	À des températures élevées, utilisez des accessoires en verre appropriés.
Le four ne chauffe pas.	La porte du four est ouverte.	Fermez la porte et redémarrez.
	Les commandes du four ne sont pas correctement réglées.	Lisez la section concernant le fonctionnement du four et réinitialisez le four.
	Fusible déclenché ou disjoncteur éteint.	Remplacez le fusible ou réinitialisez le disjoncteur. Si cela se répète fréquemment, appelez un électricien.
Le four ne cuit pas bien.	La porte du four est fréquemment ouverte pendant la cuisson.	N'ouvrez pas la porte du four fréquemment si les aliments que vous cuisinez ne nécessitent pas d'être retournés. Si vous ouvrez fréquemment la porte, la température interne chute et le résultat de la cuisson est influencé.
La lumière interne est faible ou ne fonctionne pas.	Objet étranger recouvrant la lampe pendant la cuisson.	Nettoyez la surface interne du four et vérifiez à nouveau.
	La lampe a peut-être tombé.	Remplacez-la avec une lampe avec les mêmes spécifications.

RÈGLES DE MANUTENTION

1. N'utilisez pas la porte et / ou la poignée pour transporter ou déplacer l'appareil.
2. Effectuez la manutention et le transport dans l'emballage d'origine.
3. Portez une attention maximale à l'appareil lors du chargement / déchargement et la manipulation.
4. Assurez-vous que l'emballage est bien fermé pendant la manutention et le transport.
5. Protégez contre les facteurs externes (tels que l'humidité, l'eau, etc.) qui pourraient endommager l'emballage.
6. Veillez à ne pas endommager l'appareil en raison d'accidents, chocs, chutes, etc. lors de la manutention et du transport et veillez à ne pas briser ou déformer l'appareil au cours de son utilisation.

RECOMMANDATIONS POUR ÉCONOMISER L'ÉNERGIE

Les détails suivants vous aideront à utiliser votre produit de manière écologique et économique.

1. Utilisez des contenants de couleur foncée et en émail qui conduisent mieux la chaleur dans le four.
2. Lorsque vous cuisinez vos aliments, si la recette ou le manuel d'utilisation indique qu'un préchauffage est requis, préchauffez le four.
3. N'ouvrez pas fréquemment la porte du four lors de la cuisson.
4. Essayez de ne pas faire cuire plusieurs plats en même temps dans le four. Vous pouvez faire cuire en même temps en plaçant deux cuisinières sur le grill.
5. Faites cuire plusieurs plats successivement. Le four ne perdra pas de chaleur.
6. Éteignez le four quelques minutes avant l'expiration du temps de cuisson. Dans ce cas, n'ouvrez pas la porte du four.
7. Décongelez les aliments congelés avant de les cuire.

MISE AU REBUT RESPECTUEUSE DE L'ENVIRONNEMENT



Procédez à la mise au rebut de l'emballage de manière écologique.

Le présent appareil est étiqueté conformément à la Directive 2012/19/UE du parlement européen relative aux appareils électriques et électroniques usagés (déchets d'équipements électriques et électroniques - DEEE). La directive ci-dessus détermine le cadre de retour et de recyclage des appareils usagés tels qu'appliqué au sein de l'UE.

INFORMATIONS RELATIVES À L'EMBALLAGE

Les matériaux d'emballage de cet appareil sont fabriqués à partir de matériaux recyclables, conformément à nos réglementations nationales en matière d'environnement. Ne jetez pas les matériaux d'emballage avec les ordures ménagères habituelles ou autres déchets. Transportez-les plutôt vers les points de collecte de matériaux d'emballage désignés par les autorités locales.

Beste gebruiker,

Onze doelstelling is ervoor te zorgen dat dit product u optimale prestaties biedt. Het werd vervaardigd in onze moderne faciliteiten in een nauwgezette werkomgeving, conform met ons totaal kwaliteitsconcept.

Om die reden raden we aan de gebruikshandleiding zorgvuldig te lezen voor u het product in gebruik neemt en deze voortdurend bij de hand te houden.

Opmerking: Deze gebruikshandleiding werd voorbereid voor meer dan één model. Sommige functies vermeld in de handleiding zijn mogelijk niet beschikbaar op uw apparaat.

Al onze producten dienen uitsluitend voor huishoudelijk gebruik, niet voor commerciële doeleinden.

Items gemarkeerd met (*) zijn optioneel.

"Conform met de WEEE-voorschriften."

Inhoud

Belangrijke waarschuwingen.....	73
Methoden om de keramisch glazen kookplaat te beschermen.....	83
Elektrische aansluiting.....	84
Inleiding van het apparaat.....	85
Accessoires.....	86
Technische specificaties van uw oven.....	87
Installatie van uw oven.....	88
Spanketting illustratie.....	90
Bedieningspanelen.....	90
Het gebruik van de ovensectie.....	91
Het gebruik van de grill.....	92
Het gebruik van de kip roosterfunctie.....	92
Het gebruik van het fornuis.....	93
Programmatypes.....	95
Kook tijd tabel.....	96
Onderhoud en reiniging.....	97
Montage van fornuisdeur.....	98
Reiniging en onderhoud van het glas aan de Voorzijde van de oven.....	99
Katalytische wanden.....	99
Rekstanden.....	100
Ovenlamp vervangen.....	100
Het gebruik van het vlammschild van de grill.....	101
Probleemoplossen.....	102
Regels bij de hantering.....	104
Aanbevelingen voor energiebesparing.....	104
Milieuvriendelijke verwijdering.....	105
Verpakkingsinformatie.....	105

BELANGRIJKE WAARSCHUWINGEN

1. Installatie en reparaties moeten altijd worden uitgevoerd door een **“GEAUTORISEERDE DIENST”**. De fabrikant kan niet aansprakelijk worden gesteld voor bewerkingen uitgevoerd door niet-geautoriseerde personen.

2. Lees deze gebruiksaanwijzingen aandachtig. Dit is de enige wijze dat u het apparaat veilig en correct kunt gebruiken.

3. De oven moet worden gebruikt in overeenstemming met de gebruiksaanwijzingen.

4. Houd kinderen die jonger zijn dan 8 jaar oud en huisdieren uit de buurt tijdens de werking.

5. **WAARSCHUWING: De toegankelijke onderdelen kunnen heet zijn wanneer de grill wordt gebruikt. Buiten de buurt van kinderen houden.**

6. **WAARSCHUWING: Brandgevaar; laat geen voorwerp staan op de kookplaat.**

7. **WAARSCHUWING: Het apparaat en de toegankelijke onderdelen warmen op tijdens het gebruik.**

8. De instelling van dit apparaat staan vermeld op het etiket. (of op het naamplaatje)

9. De toegankelijke onderdelen kunnen heet worden wanneer de grill in gebruik is. Kleine kinderen moeten uit de buurt gehouden worden.

10. **WAARSCHUWING: Dit apparaat is enkel bedoeld om te koken. Het mag niet worden gebruikt voor andere doeleinden zoals het opwarmen van een ruimte.**

11. Gebruik geen stoomreinigers om het apparaat te reinigen.

12. Zorg ervoor dat de ovensluiting volledig gesloten is nadat u voedsel in de oven hebt geplaatst.

13. Probeer NOOIT een brand te blussen met water. Schakel enkel het apparaat uit en dek de vlam af met een deksel of een branddeken.

14. Kinderen jonger dan 8 jaar moeten uit de buurt worden gehouden of onder permanent toezicht staan.

15. Raak de verwarmingselementen niet aan.

16. OPGELET: Kookbereidingen moeten onder toezicht gebeuren. Kookbereidingen moeten altijd onder toezicht gebeuren.

17. Dit apparaat kan worden gebruikt door kinderen ouder dan 8 jaar, personen met fysieke, gehoor- of mentale gebreken of door personen met een gebrek aan ervaring of kennis op voorwaarde dat ze onder toezicht staan en dat zijn informatie hebben gekregen in verband met de gevaren.

18. Dit apparaat is enkel ontworpen voor huishoudelijk gebruik.

19. Kinderen mogen niet spelen met het apparaat. Reinigen of onderhoud door de gebruiker mag niet worden uitgevoerd door kinderen tenzij ze ouder zijn dan 8 jaar en onder toezicht staan.

20. Houd het apparaat en het netsnoer buiten het bereik van kinderen jonger dan 8 jaar.

21. Houd gordijnen, tule, papier of ander brandbaar (ontvlambaar) materiaal uit de buurt van het apparaat voor u het apparaat in gebruik neemt. Plaats geen ontvlambaar of brandbaar materiaal op of in het apparaat.

22. Houd de ventilatieopeningen open.

23. Het apparaat is niet ontworpen voor gebruik met een externe timer of afzonderlijk afstandsbediening systeem.

24. U mag geen gesloten blikjes of glazen potten opwarmen. De druk kan ze doen ontploffen.

25. Het handvat van de oven mag niet worden gebruikt om handdoeken te drogen. Hang geen handdoeken, etc. op het handvat van de oven.

26. Plaats geen ovenschotels, platen of aluminium folie rechtstreeks op de bodem van de oven. De verzamelde warmte kan schade veroorzaken aan de bodem van de oven.

27. Wanneer u voedsel in de oven plaatst of verwijdert, etc. moet u altijd warmtebestendige oven handschoenen gebruiken.

28. Gebruik het product niet wanneer u medicatie gebruikt en/of onder de invloed bent van alcohol want dit kan uw beoordelingsvermogen beïnvloeden.

29. Ga voorzichtig te werk met alcohol in uw bereidingen. Alcohol verdampt aan hoge temperaturen en kan in brand schieten en zo een brand veroorzaken als het in contact komt met hete oppervlakken.

30. Na elk gebruik moet u controleren of de eenheid uitgeschakeld is.

31. Als het apparaat defect is of zichtbare schade vertoont mag u het apparaat niet gebruiken.

32. Gebruik het apparaat niet als de glazen voordeur verwijderd of gebarsten is.

33. Plaats het bakpapier samen met de gerechten in een voorverwarmde oven door ze in een koker of een oven accessoire te plaatsen (lade, ovenrooster, etc.).

34. Plaats geen voorwerpen op het apparaat binnen handbereik van kinderen.

35. Het is belangrijk het ovenrooster en plaat correct op het rooster te plaatsen en/of de plaat correct op het rek te plaatsen. Plaats de grill of plaat tussen twee rails en zorg ervoor dat ze correct gebalanceerd zijn voor u er gerechten op plaatst.

36. Om te voorkomen dat u de verwarmingselementen van de oven zou aanraken, moet u de overtollige delen bakpapier die overhangen uit het accessoire of de container verwijderen.

37. Gebruik het nooit aan een hogere temperatuur dan de maximale gebruikstemperatuur aangegeven op het bakpapier. Plaats het bakpapier niet op de bodem van de oven.

38. Als de deur open is, mag u geen zware voorwerpen op de deur plaatsen en kinderen mogen er nooit op gaan zitten. U kunt de oven doen omkantelen of de scharnieren beschadigen.

39. Het verpakkingsmateriaal is gevaarlijk voor kinderen. Houd het verpakkingsmateriaal uit de buurt van kinderen.

40. Gebruik geen schurende reinigingsmiddelen of scherpe metalen schrapers om de glazen plaat te reinigen want krassen op het oppervlak kunnen het glas doen breken.

41. Sla nooit op de glazen oppervlakken van vitro-keramische platen met een hard metaal want dit kan de weerstand beschadigen. Dit kan elektrische schokken veroorzaken.

42. De gebruiker mag de oven nooit zelf hanteren.

43. De gebruiker moet de gasbranders voorzichtig reinigen. Dit kan persoonlijke letsels veroorzaken.

44. Etenswaaren kunnen morsen wanneer de voet van de oven ontmanteld wordt of iets stuk raakt, wees voorzichtig. Dit kan persoonlijke letsels veroorzaken.

45. Tijdens het gebruik worden de interne en externe oppervlakken van de oven heel warm. Wanneer u de ovendeur opent, moet u een stap terugnemen om de hete damp te vermijden die vrijkomt uit de oven. Er bestaat een gevaar op brandwonden.

46. Het bovenste deksel van de oven kan worden gesloten en het kookgerei kan omkantelen. Neem een sta terug om te vermijden dat de hete etenswaaren u zouden verbranden. Er bestaat een gevaar op brandwonden.

47. Plaats geen zware voorwerpen in de oven als deze geopend is. De oven zou kunnen omkantelen.

48. De gebruiker mag de weerstand niet losmaken tijdens de reiniging. Dit kan elektrische schokken veroorzaken.

49. Verwijder de ontstekingschakelaars niet van het apparaat. Zo niet kan men in aanraking komen met elektrische kabels die onder stroom staan. Dit kan elektrische schokken veroorzaken.

50. De netwerkvoeding van de oven kan worden ontkoppeld tijdens constructiewerken bij u thuis. Aan het einde van de werken moet de oven opnieuw worden aangesloten door een geautoriseerde dienst.

51. Plaats geen metalen kookgerei zoals messen, vorken of lepels op de kookplaat want ze kunnen heel warm worden.

52. Om oververhitting te vermijden, mag het apparaat niet worden geïnstalleerd achter een decoratieve afscherming.

53. Schakel het apparaat uit voor u de veiligheidsmechanismen verwijdert. Na het reinigen moet u de veiligheidsmechanismen installeren conform de instructies.

54. Het bevestigingspunt van de kabel moet worden beschermd.

55. U mag geen etenswaren rechtstreeks op de plaat/het rooster bereiden. Plaats de etenswaren in of op gepaste containers voor u ze in de oven plaatst.

56. OPGELET: “Als het glas boven de kookplaat gebroken is, moet u het verwarmingselement uitschakelen en het apparaat loskoppelen van de voeding, raak het apparaat niet aan en gebruik het niet.”

Elektrische veiligheid

1. Laat de aarding installeren door een geautoriseerde elektricien. Ons bedrijf kan niet aansprakelijk worden gesteld voor de schade die wordt opgelopen omwille van het gebruik van het product zonder aarding in overeenstemming met de lokale regelgeving.

2. De stroomonderbrekers die de oven uitschakelen, moeten worden geïnstalleerd zodat de eindgebruiker ze kan bereiken na de installatie van de oven.

3. Het netsnoer mag niet in contact komen met hete onderdelen van het apparaat.

4. Als het netsnoer beschadigd is, moet het worden vervangen door de fabrikant of zijn service agent of gelijkaardig personeel om gevaarlijke situaties te vermijden.

5. U mag het product nooit wassen door er water op te verstuiven of te gieten! Er bestaat een risico van elektrische schokken.

6. WAARSCHUWING: Om elektrische schokken te vermijden, moet u ervoor zorgen dat het elektrische circuit van het apparaat geopend is voor u de lamp vervangt.

7. WAARSCHUWING: Ontkoppel alle aansluitingen op het elektrisch net voor u de klemmen aanraakt.

8. WAARSCHUWING: Als het oppervlak gebarsten is, moet u het apparaat uitschakelen om het risico op elektrische schokken te voorkomen.

9. Gebruik geen gerafeld of beschadigd netsnoer of een ander verlengsnoer dan het oorspronkelijke netsnoer.

10. De achterwand van de oven warmt ook op wanneer de oven wordt gebruikt. Elektrische aansluitingen mogen niet in aanraking komen met de achterwand want dit kan de aansluitingen beschadigen.

11. U mag de aansluitkabels niet aanspannen op de ovendeur en u mag ze niet over warme oppervlakken leiden. Als het snoer smelt, kan dit kortsluitingen of zelfs brand veroorzaken in de oven.

12. Als het netsnoer beschadigd is, moet het worden vervangen door de fabrikant of de geautoriseerde technische dienst of ander gekwalificeerd personeel op hetzelfde niveau om gevaarlijke situaties te vermijden.

13. Gebruik geen stoomreinigers om het apparaat te reinigen want dit kan resulteren in elektrische schokken.

14. Een multipolaire schakelaar die kan worden gebruikt om de voeding uit te schakelen is noodzakelijk voor deze installatie. De netvoeding moet kunnen worden ontkoppeld met een schakelaar of een ingebouwde zekering geïnstalleerd op de vaste voeding conform de bouwvoorschriften.



15 Het apparaat is uitgerust met een **type "Y"** netsnoer.

16. Vaste verbindingen worden aangesloten met een netsnoer voor een multipolaire ontkoppeling. Voor apparaten met overspanning categorie van minder dan III moet het ontkoppelingsmechanisme worden aangesloten op de vaste netvoeding conform het aansluitschema.

Beoogd gebruik

- 1.** Dit product is ontworpen voor huishoudelijk gebruik. Commercieel gebruik van het apparaat is niet toegelaten.
- 2.** Dit apparaat mag enkel worden gebruikt om etenswaren te bereiden. Het mag niet worden gebruikt voor andere doeleinden zoals het opwarmen van een ruimte.
- 3.** Dit apparaat mag niet worden gebruikt om platen onder de grill op te warmen, kleding of handdoeken te drogen op het handvat of voor verwarmingsdoeleinden.
- 4.** De fabrikant aanvaardt geen verantwoordelijkheid voor eventuele schade als het gevolg van misbruik of een incorrecte hantering.
- 5.** Het oven gedeelte van de eenheid kan worden gebruikt om etenswaren te dooien, te roosteren, te bakken en te grillen.
- 6.** De levensduur van het product dat u gekocht hebt is 10 jaar. Dit is de periode waarvoor de reserveonderdelen worden geleverd door de fabrikant die vereist zijn voor de werking van dit product zoals gedefinieerd.

Methoden Om De Keramisch Glazen Kookplaat Te Beschermen

De keramisch glas oppervlak is in zekere mate onbreekbaar en krasbestendig. Hoewel, vermijd schade en ga als volgt te werk:

1. Giet nooit koud water op warme kookplaten.
2. Ga nooit staan op de glazen plaat.
3. Plotse druk, bijvoorbeeld, het effect van een vallend zoutvat kan kritiek zijn. Plaats dus geen dergelijke voorwerpen boven de kookplaat.
4. Na elk gebruik moet u ervoor zorgen dat de bodem van de pan en de kookplaat schoon en droog zijn.
5. Schil geen groenten op de kookplaat. Zandkorrels van groenten kunnen de keramisch glazen plaat beschadigen.
6. Plaats geen brandbaar materiaal zoals karton of plastic op de oven. Voorwerpen zoals tin, zink of aluminium (net als aluminiumfolie of lege koffiepotten) kunnen smelten op de hete kookplaten en zo schade veroorzaken.
7. Zorg ervoor dat geen suikerhoudende etenswaren of fruitsappen in contact kunnen komen met de kookplaten. De keramisch glazen plaat kan hierdoor vlekken oplopen.

Elektrische Aansluiting

1. Uw oven vereist een zekering van 40 Ampère in overeenstemming met het vermogen van het apparaat. Indien noodzakelijk wordt de installatie aanbevolen door een gekwalificeerde elektricien.

2. Uw oven is aangepast in overeenstemming met een 220-240V AC/380-415V AC 50/60Hz. elektrische voeding. Als het elektrisch net verschilt van deze gespecificeerde waarde moet u contact opnemen met een geautoriseerde dienst.

3. De elektrische aansluiting van de oven mag enkel worden uitgevoerd via de contacten met aarding geïnstalleerd conform de regelgeving. Als er geen correcte aansluiting met aarding aanwezig is in de ruimte waar de oven wordt geplaatst, moet u onmiddellijk contact opnemen met een gekwalificeerde elektricien. De fabrikant kan nooit aansprakelijk worden gesteld voor de schade die wordt veroorzaakt als de contacten die verbonden zijn met het apparaat niet geaard zijn. Als de uiteinden van het elektrische netsnoer open zijn, naargelang het type apparaat, moet u een correcte schakelaar installeren op het elektrisch net waardoor alle uiteinden kunnen worden ontkoppeld in het geval de koppeling / ontkoppeling van / met het elektrisch net.

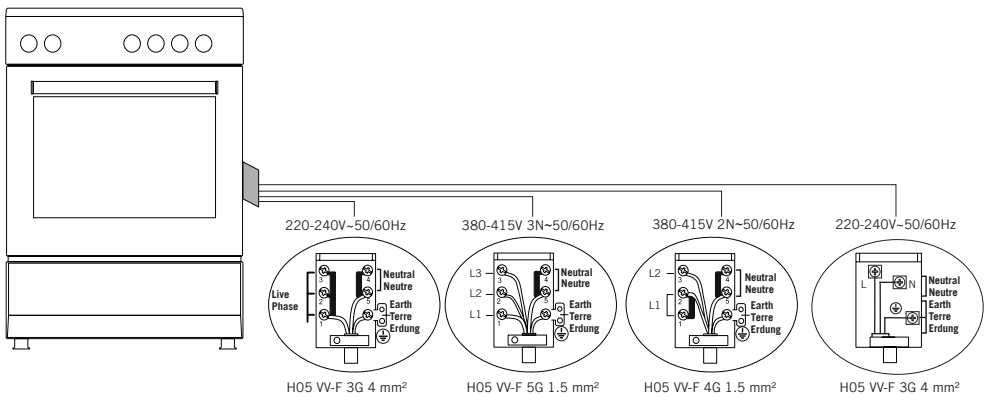
4. Als u elektrische toevoerkabel defect is, moet hij onmiddellijk worden vervangen door een geautoriseerde dienst of gekwalificeerde elektriciens om risico's te voorkomen.

5. Het netsnoer mag niet in aanraking komen met de hete onderdelen van het apparaat.

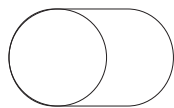
6. U moet de oven bedienen in een droge ruimte.

7. Wanneer u de oven installeert, moet u ervoor zorgen dat hij even hoog als het werkoppervlak komt. U kunt de hoogte aanpassen met de voeten.

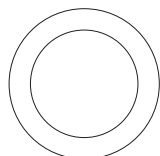
Elektrisch schema



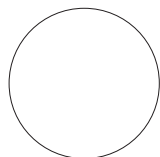
INLEIDING VAN HET APPARAAT



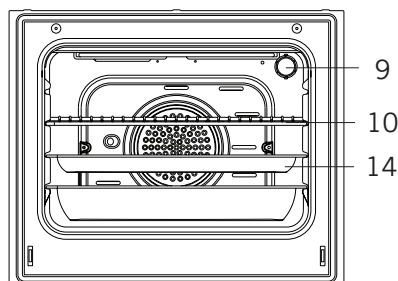
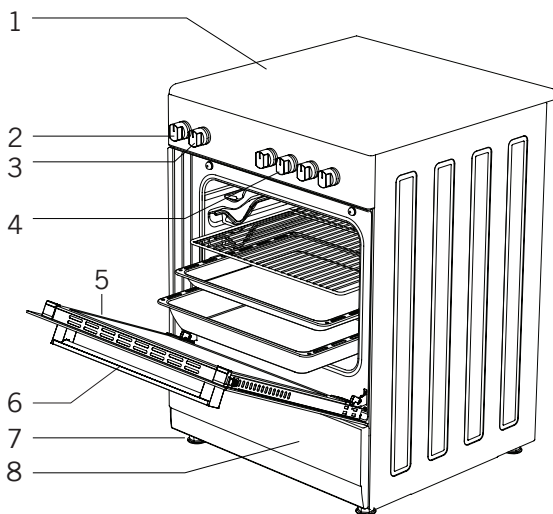
11



12



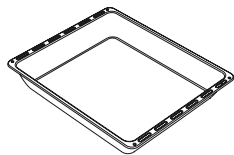
13



1. Glazen bovenplaat
2. Thermostaatknop
3. Standenschakelaar
4. Bediening vitrokeramische kookplaten
5. Ovendeur
6. Handgreep
7. Plastic voet
8. Plint

9. Lamp
10. Grillrooster
11. Keramische kookplaat (140 mm / 250 mm)*
12. Keramische kookplaat (120 mm / 180 mm)*
13. Keramische kookplaat (140 mm of 180 mm)*
14. Bakplaat

Accessoires



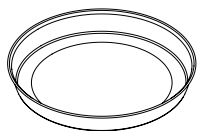
Diepe bakplaat *

Voor gebak, grote stukken vlees en vochtige gerechten. Deze kan ook worden gebruikt als opvangbak voor vet als u cake, bevroren gerechten en vleesgerechten rechtstreeks op de grill bakt.



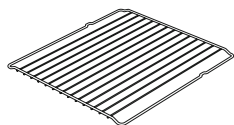
Bakplaat

Voor gebak (koekjes, broodjes enz.), bevroren gerechten.



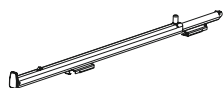
Ronde bakplaat *

Voor gebak bevroren gerechten.



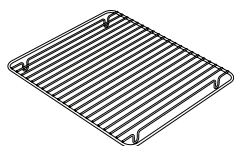
Grillrooster

Voor roosteren of het plaatsen van (bevroren) gerechten die moeten worden gebakken, geroosterd op het gewenste rek.



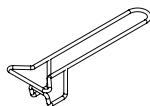
Uittrekbare rail *

Bakplaten en draadrekken kunnen dankzij de uittrekbare rails eenvoudig worden verwijderd en geplaatst.



Draadgrill in bakplaat *

Voedsel dat tijdens de bereiding vasthecht, zoals biefstuk, wordt op de draadgrill in de bakplaat geplaatst. Zo wordt voorkomen dat het voedsel aan de bakplaat vasthecht.



Schotel handvat *

Het wordt gebruikt om hete schotels te dragen.

Technische Specificaties Van Uw Oven

Specificaties	50x55	50x60	60x60
Externe breedte	500 mm	500 mm	600 mm
Externe diepte	565 mm	630 mm	630 mm
Externe hoogte	855 mm	855 mm	855 mm
Lampvermogen	15-25 W		
Onderste verwarmingselement	1000 W	1000 W	1200 W
Bovenste verwarmingselement	800 W	800 W	1000 W
Turbo verwarmingselement	-----	1800 W	---
Grill verwarmingselement	1500 W	1500 W	2000 W
Toevoerspanning	220-240V AC/380-415V AC 50/60 Hz		
Kookplaat 145 mm *	1000 W		
Kookplaat 180 mm *	1500 W		
Snelle kookplaat 145 mm *	1500 W		
Snelle kookplaat 180 mm *	2000 W		
Keramische kookplaat 140 mm *	1200 W		
Keramische kookplaat 180 mm *	1700 W / 1800 W		
Keramische kookplaat 140 mm / 250 mm *	1800 W		
Keramische kookplaat 120 mm / 180 mm *	1700 W		

WAARSCHUWING: Om de wijziging te laten uitvoeren door een geautoriseerde dienst moet deze tabel dient men rekening te houden met deze tabel. De fabrikant kan niet aansprakelijk worden gesteld voor eventuele problemen die het resultaat zijn van een incorrecte wijziging.

WAARSCHUWING: Om de kwaliteit van het product te verbeteren, kunnen de technische specificaties worden gewijzigd zonder kennisgeving vooraf.

WAARSCHUWING: De waarden vermeld op het apparaat of de begeleidende documenten zijn metingen in het laboratorium in overeenstemming met de respectieve normen. Deze waarden kunnen verschillen naargelang het gebruik en de omstandigheden van de omgeving.

INSTALLATIE VAN UW OVEN

Controleer of de elektrische installatie geschikt is voor de correcte werking van het apparaat. Zo niet moet u een elektricien en loodgieter aanspreken om de voorzieningen correct uit te voeren. De fabrikant kan niet aansprakelijk worden gesteld voor de eventuele schade die wordt veroorzaakt door bewerkingen uitgevoerd door niet-geautoriseerde personen.

WAARSCHUWING: De klant is verantwoordelijk voor de voorbereiding van de locatie waar het product zal worden geïnstalleerd en ook voor de voorbereiding van de elektrische installatie.

WAARSCHUWING: De regels in de lokale normen over elektrische installaties moeten worden gevolgd tijdens de installatie van het product.

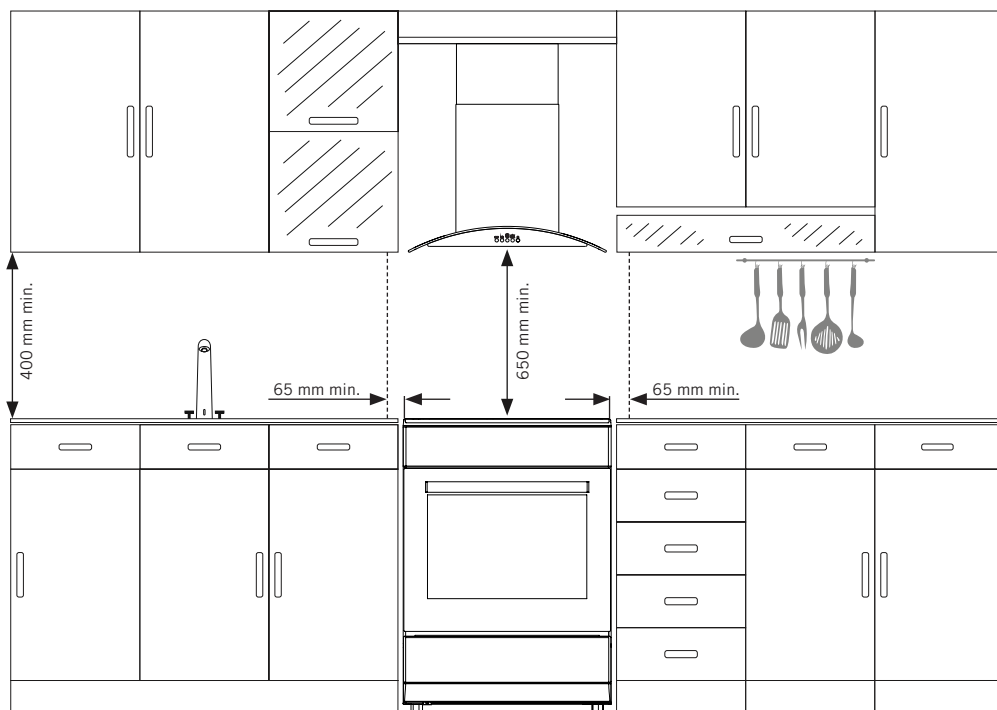
WAARSCHUWING: Controleer op schade op het apparaat voor u het installeert. Laat het apparaat niet installeren als het beschadigd is. Beschadigde producten kunnen risico's inhouden.

De correcte plaats voor de installatie en belangrijke waarschuwingen

De voeten van het apparaat mogen niet op zachte oppervlakken zoals tapijten worden geplaatst. De keukenvloer moet het gewicht van het apparaat en alle keukengereedschap kunnen dragen dat in de oven kan worden gebruikt.

Het apparaat moet worden gebruikt met een tussenruimte van minimum 400 mm boven de bovenste brander oppervlakken en 65 mm van de zijkanten in het keukenmeubel.

Het apparaat is geschikt voor gebruik op beide zijwanden, zonder steun, of zonder dat het in een kast moet worden geïnstalleerd. Als een afzuigkap boven het fornuis wordt geïnstalleerd, volgt u de instructies van de fabrikant voor de montagehoogte. (min. 650 mm)

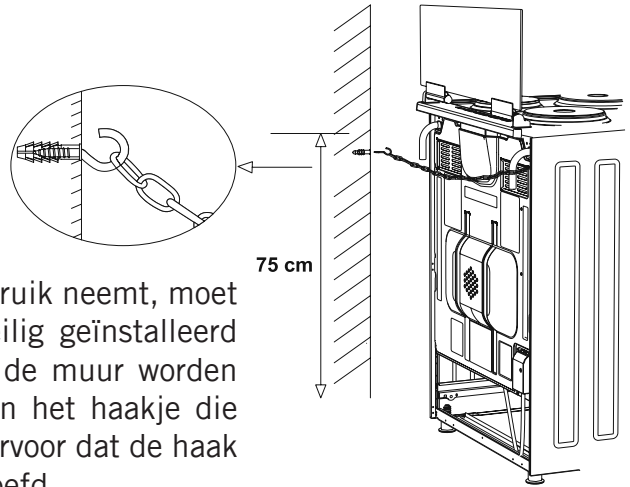


WAARSCHUWING: De keukenmeubels naast het apparaat moeten hittebestendig zijn.

WAARSCHUWING: Installeer het apparaat niet naast een koelkast of koelers. De warmte die het apparaat uitstraalt verhoogt het energieverbruik van de koelapparatuur.

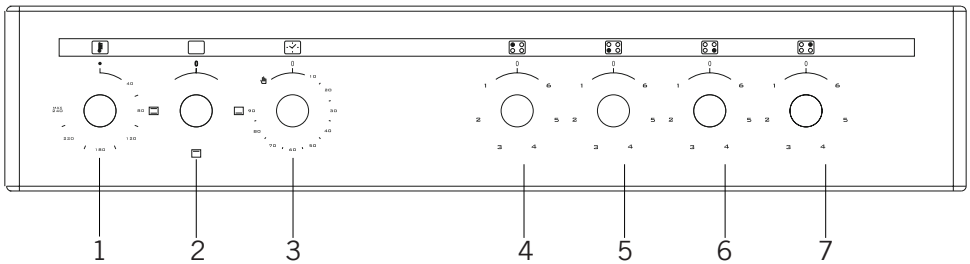
WAARSCHUWING: Gebruik de deur en/of het handvat niet om het apparaat te verplaatsen of te dragen.

Spanketting Illustratie



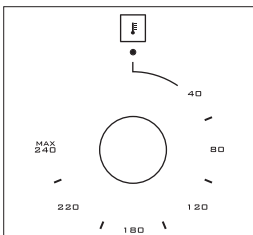
Voor u het apparaat in gebruik neemt, moet u ervoor zorgen dat het veilig geïnstalleerd is. Het apparaat moet aan de muur worden bevestigd met de ketting en het haakje die worden meegeleverd. Zorg ervoor dat de haak stevig in de muur is geschroefd.

BEDIENINGSPANELEN

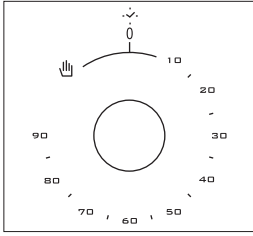


- | | |
|---|--|
| 1. Thermostaat | 5. Elektrische verwarming links vooraan |
| 2. Functie selectieknop | 6. Elektrische verwarming rechts vooraan |
| 3. Mechanische timer * | 7. Elektrische verwarming rechts achteraan |
| 4. Elektrische verwarming links achteraan | |

WAARSCHUWING: Het bovenstaande bedieningspaneel dient enkel ter illustratie. Raadpleeg het bedieningspaneel van uw apparaat.



Thermostaat Gebruikt om de bereidings temperaturen te bepalen van de schotel die wordt bereid in de oven. Nadat u etenswaren in de oven hebt geplaatst, schakelt u de schakelaar op de gewenste temperatuur tussen 40-240 °C. Raadpleeg de bereidingstabel voor de bereidingstemperaturen van de uiteenlopende gerechten.



Mechanische timer*: Gebruikt om de tijdsduur te bepalen van de bereiding in de oven. Als de ingestelde tijdsduur verstreken is, worden de branders uitgeschakeld en er weerklinkt een geluidssignaal. De mechanische timer kan worden ingesteld op de correcte periode tussen 0-90 minuten. Raadpleeg de bereidingstabellen voor de bereidingsduur.

HET GEBRUIK VAN DE OVENSECTIE

Het Gebruik Van De Verwarmingselementen Van De Oven

1. Wanneer u uw oven de eerste maal in gebruik neemt, zult u een bepaalde geur waarnemen veroorzaakt door de verwarmingselementen. Om deze geur te verwijderen, moet u de oven gedurende 45-60 minuten laten werken aan 240 °C zonder dat u iets in de oven plaatst.

2. De oven bedieningsknop moet op de gewenste waarde worden geschakeld; zo niet zal de oven niet werken.

3. De soorten maaltijden, bereidingstijden en thermostaatstanden staan vermeld in de bereidingstabel. De waarden vermeld in de bereidingstabel zijn kenmerkende waarden en ze werden verkregen als resultaat van tests uitgevoerd in ons laboratorium. U kunt er uiteenlopende smaken vinden voor uw smaak naargelang uw bereidings- en gebruiksgewoonten.

4. U kunt een kip braden aan het spit in uw oven met de accessoires.

5. Bereidingstijden: De resultaten kunnen variëren in overeenstemming met de spanning in de regio en het materiaal van uiteenlopende kwaliteit, bedragen en temperaturen.

6. Wanneer de etenswaren in de oven zitten, mag u de deur van de oven niet regelmatig openen. Dit kan namelijk de warmtecirculatie verstoren en de resultaten kunnen variëren.

Het Gebruik Van De Grill

1. Wanneer u de grill op het bovenste rek plaatst, mogen de etenswaren op de grill niet in aanraking komen met de grill.

2. U kunt 5 minuten voorverwarmen wanneer u wilt grillen. Indien noodzakelijk kunt u de etenswaren omdraaien.

3. De etenswaren moeten in het midden van de grill worden geplaatst om een optimale luchtstroom mogelijk te maken in de oven.

De oven inschakelen

1. Schakel de functieknop naar het grill symbool.

2. Schakel hem daarna op de gewenste grill-temperatuur.

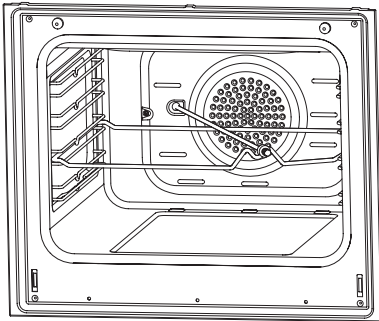
De grill uitschakelen

Schakel de functieknop op de uit-positie.

WAARSCHUWING: Houd de ovendeur gesloten tijdens het grillen. (elektrische grill)

WAARSCHUWING: Houd de ovendeur geopend tijdens het grillen. (gas grill)

Het Gebruik Van De Kip Roosterfunctie *



Figuur 1

Plaats het draaispit op het frame. Schuif het draaispit met frame in de oven op het gewenste niveau. Zet een lekbak op de bodem om de sappen op te vangen. Doe wat water in de lekbak om deze later gemakkelijker te kunnen reinigen. Vergeet niet het kunststoffen deel van het spit te verwijderen. Schroef het kunststoffen handvat na het roosteren aan het spit en neem het voedsel uit de oven.

Het Gebruik Van Het Fornuis

Gebruik uw vitro platen

	Niveau 1	Niveau 2	Niveau 3	Niveau 4	Niveau 5	Niveau 6	Niveau 7	Niveau 8	Niveau 9	Max.
140 mm Commutator	130 W	206 W	350 W	500 W	850 W	1200 W	---	---	---	---
180 mm Commutator	180 W	470 W	790 W	850 W	1230 W	1700 W	---	---	---	---
180 mm Regelaar*	1800 W	1800 W	1800 W	1800 W	1800 W	1800 W	1800 W	1800 W	1800 W	---
140/250 mm*	1000 W	1000 W	1000 W	1000 W	1000 W	1000 W	1000 W	1000 W	1000 W	1800 W
120/180 mm* Dubbel	700 W	700 W	700 W	700 W	700 W	700 W	700 W	700 W	700 W	1700 W

1. U kunt de vitrokeramische zones via de knoppen op het bedieningspaneel aanzetten. Deze knoppen regelen de energie. Om tijdens het koken op uw kookplaten de beste resultaten te behalen is het beter dat de onderkant van uw pannen recht en dik zijn.

2. De onderkant van de kookpan en het kook gebied moeten dezelfde afmetingen hebben. Als het mogelijk is moet u altijd het deksel van de kookpannen dicht houden. Plaatst eerst altijd de kookpan op de kookplaat en zet daarna pas uw fornuis aan. Als het fornuis uitzet voordat de kooktijd gedaan is kunt u de resterende hitte nog gebruiken.

3. Om het fornuis aan te zetten draai de knop met de klok mee. De temperatuur zal volgens de stand van de knop veranderen, hoe meer de knop met de klok meedraait hoe hoger de temperatuur.

4. Voor tweedelig kookzone*: de eerste cirkel zet het eerste gebied aan, de tweede cirkel kan aangezet worden wanneer u de knop naast de eerste cirkel teken met de klok meedraait op z'n hoogste stand zet.

5. Wanneer u de knop tegen de klok in draait, zal de eerste cirkel op z'n hoogst functioneren en de kracht van de tweede cirkel zal tot uw gewenste temperatuur dalen. Op '0' stand zullen alle cirkels uitgaan.

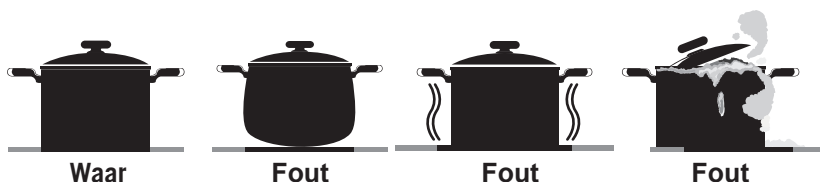
Het Gebruik Van De Kookplaten

	Niveau 1	Niveau 2	Niveau 3	Niveau 4	Niveau 5	Niveau 6
80 mm	200 W	250 W	450 W	---	---	---
145 mm	250 W	750 W	1000 W	---	---	---
180 mm	500 W	750 W	1500 W	---	---	---
145 mm snel	500 W	1000 W	1500 W	---	---	---
180 mm snel	850 W	1150 W	2000 W	---	---	---
145 mm	95 W	155 W	250 W	400 W	750 W	1000 W
180 mm	115 W	175 W	250 W	600 W	850 W	1500 W
145 mm snel	135 W	165 W	250 W	500 W	750 W	1500 W
180 mm snel	175 W	220 W	300 W	850 W	1150 W	2000 W
220 mm	220 W	350 W	560 W	910 W	1460 W	2000 W

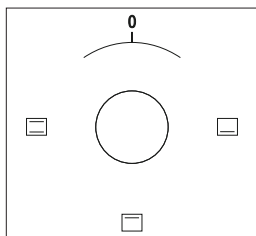
1. Elektrische kookplaten hebben standaard 6 temperaturniveaus. (zoals hierboven beschreven)

2. Bij het eerste gebruik moet u uw elektrische kookplaat gebruiken in positie 6 gedurende 5 minuten. Zo wordt het middel op uw kookplaat dat gevoelig is voor warmte gehard door de verwarming.

3. Gebruik pannen met een platte bodem die zo veel mogelijk in contact staan met de warmte zodat u de energie productiever kunt toepassen.



PROGRAMMATYPES



Functieknop: Gebruikt om de branders te bepalen die worden gebruikt om de schotels te bereiden in de oven. De verwarming programmatypes in deze knop en hun functies worden hieronder weergegeven. Alle verwarmingstypes en programmatypes met deze verwarmingselementen zijn mogelijk niet beschikbaar in alle modellen.

	Spit		Ventilator
	Bovenste + Onderste verwarmingselement		Turbo verwarmingselement + Ventilator
	Lamp		Hetelucht
	Onderste verwarmingselement + Ventilator		Grill verwarmingselement + Ventilator
	Grill verwarmingselement		Grill brander / Grill verwarmingselement
	Grill verwarmingselement + Lamp		Bovenste verwarmingselement
	Elektrische timer		Ovenbrander / Onderste verwarmingselement

WAARSCHUWING: De verwarmingsstanden verschillen per model.

KOOK TIJD TABEL

WAARSCHUWING: De oven moet voordat u er voedsel inzet 10 minuten voorverwarmen.

Maaltijd	Kookfunctie	Temperatuur (°C)	Rek Positie	Kook Tijd (Min.)
Cake	Statisch / Statisch+Ventilator	170-180	2	35-45
Kleine cakes	Statisch / Turbo+Ventilator	170-180	2	25-30
Pasteitje	Statisch / Statisch+Ventilator	180-200	2	35-45
Gebakje	Statisch	180-190	2	25-30
Koekjes	Statisch	170-180	3	20-25
Appeltaart	Statisch / Turbo+Ventilator	180-190	2	50-70
Biscuitgebak	Statisch	200/150 *	2	20-25
Pizza	Statisch+Ventilator	180-200	3	20-30
Lasagne	Statisch	180-200	2	25-40
Meringue	Statisch	100	2	60
Kip	Statisch+Ventilator / Turbo+Venti.	180-190	2	45-50
Gegrilde kip **	Grill	200-220	4	25-30
Gegrilde vis **	Grill+Ventilator	200-220	4	25-30
Entrecote **	Grill+Ventilator	Max.	4	15-20
Gehaktbal **	Grill	Max.	4	20-25

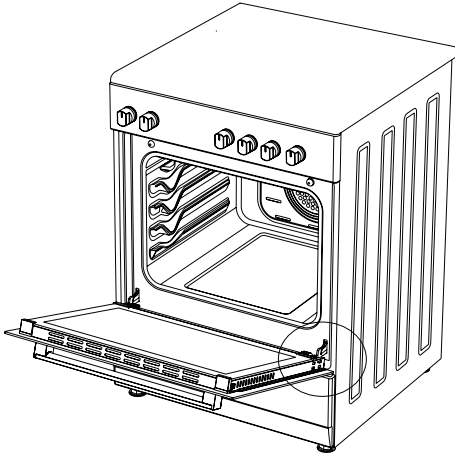
* Zonder voorverwarmen. De bereiding moet gedurende de helft van de tijd aan 200 °C worden gebakken en de tweede helft aan 150 °C.

** Het vlees moet tijdens de eerste helft van de bereiding worden omgedraaid.

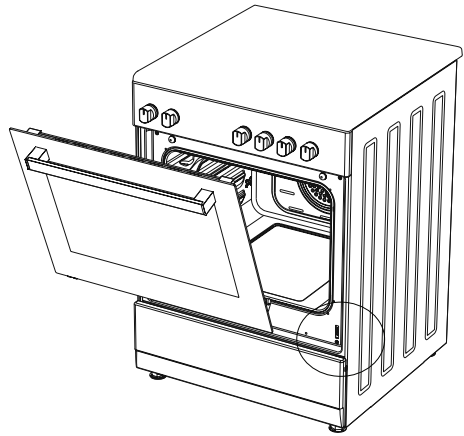
ONDERHOUD EN REINIGING

1. De oven is heet als deze aan staat of kort nadat deze is uitgezet. Voorkom dat u de hete onderdelen aanraakt.
2. Maak de binnenkant van de oven, de klep, handvat, laden of andere delen van de oven nooit schoon met scherp gereedschap.
3. Reinig de binnenzijde van de oven met een natte doek met evt. een mild schoonmaakmiddel, maak daarna de oven droog met een zachte doek.
4. Reinig het ovenglas met een schoonmaakmiddel speciaal voor glas.
5. De oven niet reinigen met een stoomreiniger.
6. Verwijder voordat u het bovendeksel van de oven opent eerst eventueel geknoeiide vloeistof van het deksel. Controleer voordat u het deksel naar beneden doet of het gasfornuis genoeg is afgekoeld.
7. Gebruik nooit brandbare middelen zoals zuren, thinner of gasbenzine om de oven mee schoon te maken.
8. U mag geen onderdelen van de oven met de vaatwasser schoonmaken.
9. Om het glas aan de voorkant van de oven te kunnen schoonmaken, verwijdert u met een schroevendraaier de bevestigingsschroeven die de hendel vasthouden om zo de ovendeur te kunnen verwijderen. Spoel en reinig grondig. Nadat u klaar bent met schoonmaken zet u de onderdelen opnieuw vast.

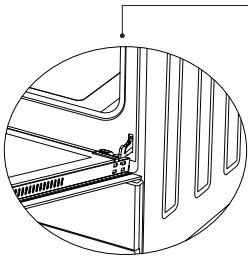
Demontage van de oven deur



Figuur 2

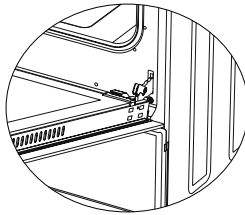


Figuur 3



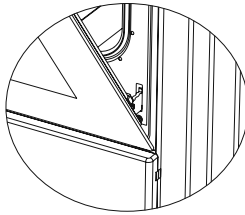
Figuur 2.1

Trek de oven deur naar u toe en open deze volledig. Plaats daarna de scharnier vergrendeling naar boven met behulp van de schroevendraaier, zie **Figuur 2.1.**,



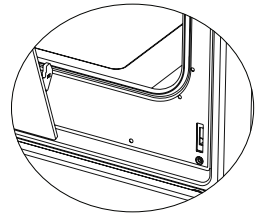
Figuur 2.2

Duw de vergrendeling zover mogelijk naar voren, zie **Figuur 2.2.** Doe dit ook met het 2e scharnier.



Figuur 3.1

Doe de oven deur weer gedeeltelijk dicht zoals aangegeven op **Figuur 3.1.**



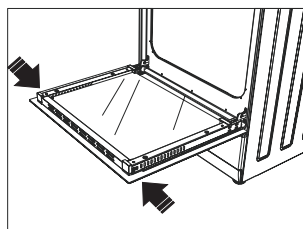
Figuur 3.2

Trek de deur met 2 handen voorzichtig iets omhoog en vervolgens naar voren om deze te verwijderen, zoals weergegeven in **Figuur 3.2.**

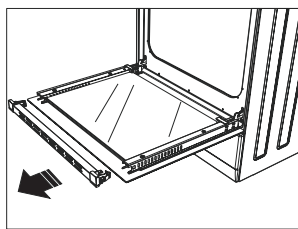
Om de oven deur weer terug te plaatsen doet u bovenstaande in de omgekeerde volgorde.

Reinigen En Onderhoud Van Het Deurglas Aan De Voorkant Van De Oven

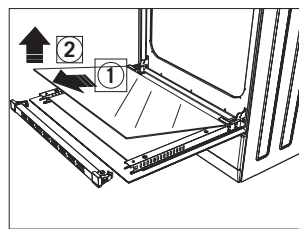
Verwijder het profiel door op de plastic grendels aan de linker en rechter kant te drukken zoals getoond in figuur 4 en trek het profiel naar u toe zoals getoond in figuur 5. Verwijder dan het binnenste glas zoals getoond in figuur 6, houdt hierbij de buitenruit goed vast. Indien nodig kan het middelste glas op dezelfde manier worden verwijderd. Als u klaar bent met het reinigen en het onderhoud, zet de glasplaat(en) en het profiel dan weer vast in de omgekeerde volgorde. Zorg ervoor dat het profiel correct op zijn plaats zit.



Figuur 4



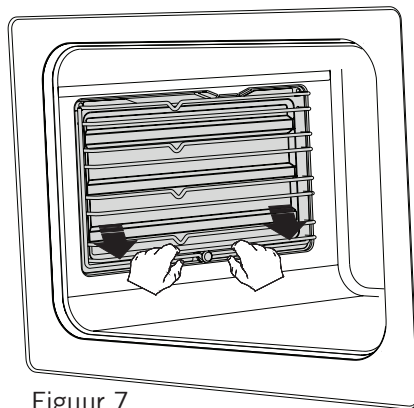
Figuur 5



Figuur 6

Katalytische Wandén *

De katalytische wanden bevinden zich aan de linker en rechterkant van de ruimte onder de geleiders. Katalytische wanden laten onaangename geuren verdwijnen en zorgen voor de beste resultaten met het fornuis. Katalytische wanden kunnen ook olieresten absorberen en reinigen uw oven tijdens de werking.

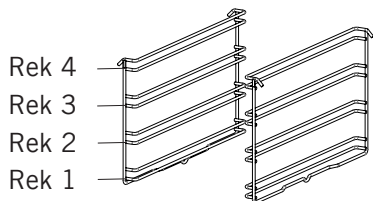


Figuur 7

Verwijderen van de katalytische wanden

Om de katalytische wanden te verwijderen, moeten de geleiders worden uitgetrokken. Zodra de geleiders uitgetrokken zijn, komen de katalytische wanden automatisch vrij. De katalytische wanden moeten na 2-3 jaar worden vervangen.

Rekstanden



U moet het rooster correct in de oven plaatsen. Het rek mag niet in contact komen met de achterzijde van de oven. De rekstanden worden weergegeven in de volgende afbeelding. U kunt een diepe schotel of een standaard schotel in het onderste en het bovenste rek plaatsen.

Roosters installeren en verwijderen

Om roosters te verwijderen, drukt u op de klemmen weergegeven met pijlen in de afbeelding, verwijder eerste de onderkant en daarna de bovenkant uit de installatielocatie. Om de roosters te installeren, kunt u de omgekeerde procedure volgen van het verwijderen van het rooster.

Ovenlamp Vervangen

WAARSCHUWING: Zorg om een elektrische schok te voorkomen dat voordat u de lamp vervangt, het circuit van het apparaat open is. (een open circuit betekent dat de stroom uit is)

Zorg ervoor dat het apparaat eerst van de stroom wordt onderbroken en dat het is afgekoeld.

Verwijder de glazen beschermkap door deze zoals aangegeven in de afbeelding naar links te draaien. Als draaien moeilijk gaat, gebruik dan plastic handschoenen bij het draaien.

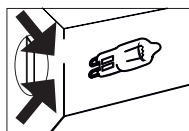
Draai dan de lamp eruit, en installeer de nieuwe lamp met dezelfde specificaties.

Zet de glazen beschermkap terug, steek de stekker van het apparaat in het stopcontact en de vervanging is voltooid. Nu kunt u uw oven gaan gebruiken.

Type G9 Lamp



220-240 V, AC
15-25 W



Figuur 8

Type E14 Lamp



220-240 V, AC
15 W



Figuur 9

Het gebruik van het hitteschild*

Niet nodig voor dit model

1. Een veiligheidspaneel is ontworpen om het bedieningspaneel te beschermen en de knoppen wanneer de oven in de grillmodus staat. (figuur 10)

2. Gebruik dit veiligheidspaneel om te vermijden dat de hitte het bedieningspaneel en de knoppen kan beschadigen wanneer de oven in grillmodus staat.

WAARSCHUWING: De toegankelijke onderdelen kunnen heet worden wanneer de grill in gebruik is. Jonge kinderen moeten uit de buurt gehouden worden.

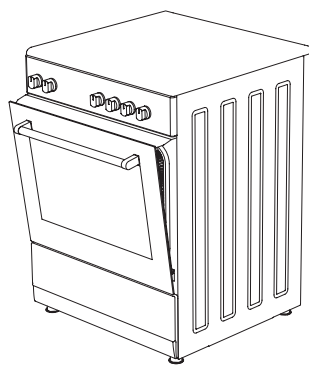
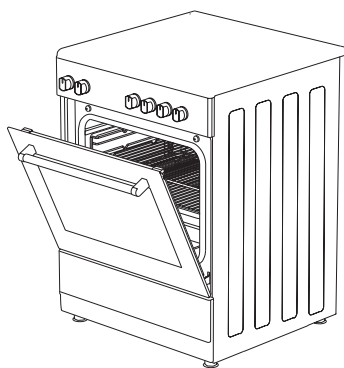
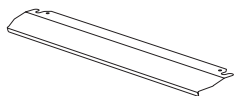
3. Plaats het veiligheidspaneel onder het bedieningspaneel door het glazen voorpaneel van de oven te openen. (figuur 11)

4. En bevestig daarna het veiligheidspaneel tussen de oven en het voorpaneel door de afscherming zacht te sluiten. (figuur 12)

5. Het is belangrijk voor de bereidingen het deksel open te houden op een gespecificeerde afstand tijdens bereidingen in de grillmodus.

6. Het veiligheidspaneel biedt een ideale situatie om gerechten te bereiden en het beschermt het bedieningspaneel en de knoppen.

WAARSCHUWING: Als het fornuis voorzien is van de optie “**gesloten grill werkt**” met thermostaat kunt u de ovendeur gesloten houden tijdens de bewerking; in dat geval is het vlammschild niet noodzakelijk.



Figuur 10

Figuur 11

Figuur 12

PROBLEEMOPLOSSEN

U kunt de problemen die u ondervindt met uw product oplossen door de volgende punten te controleren voor u contact opneemt met de technische dienst.

Controlepunten

Als er een probleem optreedt met de oven moet u eerst de onderstaande tabel raadplegen en de suggesties proberen.

Probleem	Mogelijke oorzaak	Wat kunt u doen
Oven werkt niet.	De voeding is niet aangesloten.	Controleer de voeding.
Schakelt uit tijdens de bereiding.	Te langdurige bewerking.	Laat de oven afkoelen na lange bereidingscycli.
De ovendeur opent niet correct.	Etensresten geblokkeerd tussen de deur en de interne holte.	Reinig de oven grondig en probeer de oven opnieuw te openen.
Elektrische schok bij aanraking van de oven.	Geen correcte aarding.	Zorg ervoor dat de voeding verbonden correct geaard is.
	Er werd een stopcontact zonder aarding gebruikt.	
Waterdruppels.	Er kan water of stoom worden gegenereerd onder bepaalde omstandigheden afhankelijk van de etenswaren die worden bereid. Dit is geen fout van het apparaat.	Laat de oven afkoelen en wrijf daarna schoon met een doek.
Er komt stoom uit een barst in de ovendeur.		
Er blijft water achter in de oven.		
Er komt rook uit de oven tijdens de werking.	Wanneer de oven de eerste maal wordt gebruikt.	Er komt rook uit de verwarmings-elementen. Dit is geen storing. Na 2-3 cycli zal er geen rook meer vrijkomen.
	Etenswaren op het verwarmings-element.	Laat de oven afkoelen en reinig etensresten uit het verwarmings-element.

Probleem	Mogelijke oorzaak	Wat kunt u doen
Wanneer de oven ingeschakeld is, komt een verbrande of plastic geur vrij.	Er worden plastic of andere niet warmtebestendige accessoires gebruikt in de oven.	Bij hoge temperaturen moet u geschilte glazen accessoires gebruiken.
De stoom oven warmt niet op.	De oven deur is open.	Sluit de deur en start opnieuw.
	De ovenbediening is niet correct aangepast.	Lees het hoofdstuk met betrekking tot de werking van de oven en reset de oven.
	Zekering geactiveerd of stroomonderbreker uitgeschakeld.	Vervang de zekering of reset de stroomonderbreker. Als dit herhaaldelijk gebeurt, moet u een elektricien inroepen.
De oven bereidt de etenswaren niet goed.	Oven deur wordt regelmatig geopend tijdens de bereiding.	U mag de deur niet te vaak openen als de etenswaren niet moeten worden omgedraaid tijdens de bereiding. Als u de deur vaak opent, zal de interne temperatuur zakken en dit heeft een invloed op het resultaat van de bereiding.
Interne lamp is zwak of werkt niet.	Vreemde objecten bedekken de lamp tijdens de bereiding.	Reinig het interne oppervlak van de oven en controleer opnieuw.
	De lamp kan defect zijn.	Vervang met een lamp van dezelfde specificaties.

REGELS BIJ DE HANTERING

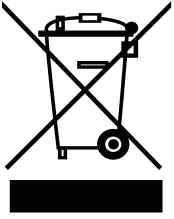
1. Gebruik de deur en/of het handvat niet om het apparaat te verplaatsen of te dragen.
2. Verplaats en transporteer het apparaat in de originele verpakking.
3. Let bijzonder op het apparaat tijdens het laden/leegmaken en de hantering.
4. Zorg ervoor dat de verpakking veilig afgesloten is tijdens de hantering en het transport.
5. Bescherm het apparaat tegen externe factoren (zoals vocht, water, etc.) die de verpakking kunnen beschadigen.
6. Zorg ervoor het apparaat niet te beschadigen door botsingen, valpartijen, etc. tijdens het hanteren en transport en breek of vervorm het niet tijdens de bediening.

AANBEVELINGEN VOOR ENERGIEBESPARING

Deze details helpen u uw product ecologisch en economisch te gebruiken.

1. Gebruik donker gekleurde en email containers die warmte beter geleiden in de oven.
2. Als het recept of de handleiding aangeeft dat een voorverwarming vereist is, moet u de oven voorverwarmen.
3. Open de ovendeur niet te vaak tijdens de bereiding.
4. Probeer nooit meerdere schotels gelijktijdig te bereiden in de oven. U kunt gelijktijdige bereidingen uitvoeren door twee bereidingen op het rooster te plaatsen.
5. U moet meerdere schotels na elkaar bereiden. De oven zal zo geen warmte verliezen.
6. Schakel de oven uit een aantal minuten voor het einde van de bereiding. In dit geval mag u de ovendeur niet openen.
7. Ontdooi diepgevroren etenswaren voor de bereiding.

MILIEUVRIENDELIJKE VERWIJDERING



Weggoien van verpakking op een milieuvriendelijke wijze.

Dit apparaat is aangeduid overeenkomstig de Europese richtlijn 2012/19/EU betreft gebruikte elektrische en elektronische apparaten (afval elektrische en elektronische apparaten - WEEE). De richtlijn bepaalt het schema voor het terugbrengen en recyclen van gebruikte apparaten zoals die door heel de EU geldt.

VERPAKKINGSINFORMATIE

De verpakkingsmaterialen van het product worden gemaakt van recyclebare materialen in overeenstemming met onze Nationale Milieuvoorschriften. Voer het verpakkingsmateriaal niet af met huishoudelijk of ander afval. Breng deze naar de inzamelingspunten voor verpakkingsmateriaal zoals aangegeven door de plaatselijke autoriteiten.

Sehr geehrter verbraucher;

Unser ziel ist es gemäß dem gesamtqualitätssinnes ihnen ein erfolgreiches produkt zu gewährleisten, dass in einer anspruchsvollen atmosphäre und in modernen werken produziert wird.

Daher empfehlen wir ihnen vor der nutzung des produktes die gebrauchsanleitung sorgfältig zu lesen und aufzubewahren, damit sie diese bei bedarf wieder verwenden können.

Bemerkung: Diese gebrauchsanleitung wurde für mehrere ausführungen vorbereitet. Einige der in der anleitung aufgeführten eigenschaften können mit den eigenschaften ihres gerätes nicht übereinstimmen.

Warnung: Alle unsere geräte sind für den privaten gebrauch gedacht, nicht für eine kommerzielle verwendung.

Produkte, die mit (*) markiert sind, sind optional.

“Erfüllt die WEEE-Bestimmungen”

Inhalte

Wichtige sicherheitshinweise.....	108
Methoden zum schutz der glaskeramik kochfläche.....	119
Elektrik anschluss.....	120
Gerätebeschreibung.....	121
Zubehör.....	122
Technische daten.....	123
Installation ihres backofens.....	124
Kettenzurrung-abbildung.....	126
Steuertafel.....	126
Verwendung des backofenanschnitts.....	127
Verwendung des grills.....	128
Hühnchen-bratfunktion verwenden.....	128
Verwendung des kochfeldabschnitts.....	129
Programmtypen.....	131
Kochzeit-tabelle.....	132
Wartung und reinigung.....	133
Backofentürmontage.....	134
Reinigung und wartung der ofenglastür.....	135
Katalytische wände.....	135
Regalposition.....	136
Auswechseln der backofenlampe.....	136
Verwendung des grillabweiserblechs.....	137
Fehlerbehebung.....	138
Handhabungsregeln.....	140
Empfehlungen zur energiesparung.....	140
Umweltgerechte entsorgung.....	141
Verpackungsinformationen.....	141

WICHTIGE SICHERHEITSHINWEISE

1. Installation und Reparatur sollten immer von einem „**AUTORISIERTEN SERVICE**“ durchgeführt werden. Der Hersteller haftet nicht für Operationen, die von unbefugten Personen durchgeführt werden.

2. Bitte lesen Sie diese Bedienungsanleitung sorgfältig durch. Nur so können Sie das Gerät sicher und korrekt benutzen.

3. Der Backofen sollte gemäß der Bedienungsanleitung benutzt werden.

4. Halten Sie Kinder unter 8 Jahren und Haustiere bei der Arbeit fern.

5. **WARNUNG: Die zugänglichen Teile können bei Verwendung des Grills heiß sein. Von Kindern fernhalten.**

6. **WARNUNG: Brandgefahr; lagern Sie die Materialien nicht auf der Kochfläche.**

7. **WARNUNG: Das Gerät und seine zugänglichen Teile werden bei der Verwendung heiß.**

8. Die Einstellungsbedingungen für dieses Gerät sind auf dem Etikett angegeben. (oder auf dem Typenschild)

9. Während der Verwendung können die zugänglichen Teile heiß sein. Kleinkinder sind von dem Gerät fernzuhalten.

10. **WARNUNG: Dieses Gerät ist zum Kochen bestimmt. Es darf keinesfalls für andere Zwecke, wie z. B. die Beheizung des Raums, verwendet werden.**

11. Verwenden Sie zum Reinigen des Geräts keine Dampfreiniger.

12. Stellen Sie sicher, dass die Backofentür vollständig geschlossen ist, nachdem Sie Lebensmittel in den Backofen gegeben haben.

13. Versuchen Sie NIEMALS das Feuer mit Wasser zu löschen. Schalten Sie nur den Geräteschaltkreis aus und decken Sie die Flamme dann mit einem Deckel oder einer Löschdecke ab.

14. Kinder unter 8 Jahren sollten ferngehalten werden, wenn sie nicht kontinuierlich überwacht werden können.

15. Das Berühren der Heizelemente sollte vermieden werden.

16. VORSICHT: Der Kochvorgang muss überwacht werden. Der Kochvorgang muss immer überwacht werden.

17. Dieses Gerät kann von Kindern über 8 Jahren, Menschen mit körperlichen, Hör- oder mentalen Problemen oder Menschen mit mangelnder Erfahrung oder Wissen verwendet werden; solange die Kontrolle gewährleistet ist oder Informationen über die Gefahren zur Verfügung gestellt werden.

18. Dieses Gerät ist ausschließlich zum Einsatz im Haushalt vorgesehen.

19. Kinder dürfen nicht mit dem Gerät spielen. Reinigung und Wartung dürfen nicht von Kindern durchgeführt werden, es sei denn, sie sind älter als 8 Jahre und werden von Erwachsenen beaufsichtigt.

20. Halten Sie das Gerät und den Netzkabel fern vom Zugang von Kindern unter 8 Jahren.

21 Legen Sie Vorhänge, Tüll, Papier oder brennbares (zündfähiges) Material vom Gerät weg, bevor Sie das Gerät benutzen. Stellen Sie keine brennbaren Materialien auf bzw. in die das Gerät.

22. Halten Sie die Belüftungskanäle offen.

23. Das Gerät ist nicht für die Verwendung mit einem externen Timer oder einem separaten Fernbedienungssystem geeignet.

24. Geschlossen Dosen und Gläser nicht erhitzen. Der Druck kann dazu führen, dass Gläser explodieren.

25. Der Backofengriff ist kein Handtuchrockner. Hängen Sie keine Handtücher o.ä. auf den Backofengriff.

26. Stellen Sie die Backbleche, Platten oder Aluminiumfolien nicht direkt auf den Backofenboden. Die angesammelte Hitze kann den Backofenboden beschädigen.

27. Verwenden Sie hitzebeständige Backofenhandschuhe, wenn Sie Speisen in den Backofen legen oder aus dem Backofen nehmen.

28. Verwenden Sie das Produkt nicht in medizinischen und/oder unter Einfluss von Alkohol, der Ihre Urteilsfähigkeit beeinträchtigen könnten.

29. Seien Sie vorsichtig, wenn Sie Alkohol in Ihrem Essen verwenden. Alkohol verdampft bei hohen Temperaturen und kann Feuer fangen, wenn es mit heißen Oberflächen in Berührung kommt.

30. Überprüfen Sie nach jedem Gebrauch, ob das Gerät ausgeschaltet ist.

31. Wenn das Gerät defekt ist oder sichtbare Schäden aufweist, betreiben Sie das Gerät nicht.

32. Verwenden Sie das Gerät nicht, wenn das Vordertürglas entfernt oder gebrochen ist.

33. Legen Sie das Backpapier zusammen mit dem Essen in einen vorgeheizten Backofen, indem Sie es in einen Herd oder auf ein Backofenzubehör (Tablett, Grillrost usw.) stellen.

34. Stellen Sie keine Gegenstände auf das Gerät, die Kinder erreichen könnten.

35. Es ist wichtig, das Drahtgitter und das Tablett richtig auf den Drahtgestellen zu platzieren und/oder das Tablett richtig auf dem Gestell zu platzieren. Stellen Sie den Grill oder das Tablett zwischen zwei Schienen und stellen Sie sicher, dass es ausgewogen ist, bevor Sie Lebensmittel darauf legen.

36. Gegen das Risiko, die Backofenheizelemente zu berühren, entfernen Sie überschüssige Teile des Backpapiers, die vom Zubehör oder Behälter hängen.

37. Verwenden Sie das Gerät niemals bei höheren Backofentemperaturen als auf dem Backpapier angegeben. Stellen Sie das Backpapier nicht auf den Backofenboden.

38. Wenn die Tür offen ist, stellen Sie keine schweren Gegenstände auf die Tür oder lassen Sie keine Kinder darauf sitzen. Sie könnten den Backofen umkippen oder die Türscharniere beschädigen.

39. Die Verpackungsmaterialien stellen eine Gefahr für Kinder dar. Verpackungsmaterial von Kindern fernhalten.

40. Verwenden Sie keine Scheuermittel oder scharfe Metallschaber, um das Glas zu reinigen, da Kratzer auf der Oberfläche des Türglases zum Bruch des Glases führen können.

41. Glasflächen von Glaskeramikkochern dürfen nicht mit Hartmetall angegriffen werden, da der Widerstand beschädigt werden kann. Dies kann zu einem elektrischen Schlag führen.

42. Der Benutzer sollte den Backofen nicht alleine bedienen.

43. Bei der Reinigung von Gasbrennern ist Vorsicht geboten. Dies kann zu Verletzungen führen.

44. Lebensmittel können verschüttet werden, wenn der Fuß des Ofens demontiert oder zerbrochen wird, seien Sie vorsichtig. Dies kann zu Verletzungen führen.

45. Die obere Abdeckung des Backofens kann aus einem Grund geschlossen werden, sodass das Kochgeschirr runterfällt. Treten Sie zurück, um zu vermeiden, dass das warme Essen auf Sie zukommt. Es besteht Verbrennungsgefahr.

46. Der Benutzer sollte den Widerstand während der Reinigung nicht verschieben. Dies kann zu einem elektrischen Schlag führen.

474. Zündschalter nicht aus dem Gerät ziehen. Ansonsten sind stromführende Kabel zugänglich. Dies kann zu einem elektrischen Schlag führen.

48. Die Backofenzufuhr kann bei allen Bauarbeiten zu Hause unterbrochen werden. Nach Abschluss der Arbeiten muss der Backofen wieder von einem autorisierten Service angeschlossen werden.

49. Legen Sie keine Metallgegenstände wie Messer, Gabeln, Löffel oder Deckel auf die Oberfläche des Kochfeldes, da sie sehr heiß werden können.

50. Um Überhitzung zu vermeiden, sollte das Gerät nicht hinter einer dekorativen Abdeckung installiert werden.

51. Schalten Sie das Gerät aus, bevor Sie die Schutzvorrichtungen entfernen. Nach der Reinigung die Schutzvorrichtungen gemäß den Anweisungen installieren.

52. Kabelbefestigungspunkt muss geschützt sein.

53. WARNUNG: Backofen- und Grillbrenner nicht gleichzeitig benutzen.

54. Bitte kochen Sie das Essen nicht direkt auf dem Tablett / Gitter. Bitte legen Sie das Essen in oder auf geeignetes Werkzeug, bevor Sie es in den Ofen legen.

55. Heiße Oberfläche vor dem Schließen der Abdeckung abkühlen lassen.

56. HINWEIS: Wenn das Glas des Ofens zerbrochen ist, schalten Sie jedes Heizelement sofort aus und trennen Sie das Gerät von der Stromquelle, berühren Sie nicht die Oberfläche des Geräts und benutzen Sie das Gerät nicht.

Elektrische Sicherheit

1. Lassen Sie eine geerdete Ausrüstung von einem autorisierten Elektriker installieren. Unsere Firma ist nicht verantwortlich für die Schäden, die entstehen, wenn das Produkt ohne Erdung gemäß den örtlichen Vorschriften verwendet wird.

2. Die Schutzschalter des Backofens müssen so angebracht werden, dass der Endbenutzer sie bei der Installation des Backofens erreichen kann.

3. Das Netzkabel darf die heißen Teile des Geräts nicht berühren.

4. Wenn das Netzkabel beschädigt ist, muss dieses Kabel vom Hersteller oder seinem Kundendienst oder einem ähnlich qualifizierten Personal ausgetauscht werden, um eine gefährliche Situation zu vermeiden.

5. Waschen Sie das Gerät niemals, indem Sie es mit Wasser bespritzen oder Wasser darauf gießen! Es besteht Stromschlaggefahr.

6. WARNUNG: Stellen Sie vor dem Lampenwechsel sicher, dass der Stromkreis des Geräts offen ist, um Stromschläge zu vermeiden.

7. WARNUNG: Trennen Sie alle Versorgungskreisverbindungen, bevor Sie auf die Klemmen zugreifen.

8. WARNUNG: Wenn die Oberfläche gerissen ist, schalten Sie das Gerät aus, um die Gefahr eines Stromschlags zu vermeiden.

9. Verwenden Sie keine anderen beschädigten Kabel oder Verlängerungskabel außer das Originalkabel.


10. Die Rückseite des Backofens erwärmt sich ebenfalls, wenn der Backofen betrieben wird. Elektrische Anschlüsse dürfen die Rückseite nicht berühren, da sonst die Anschlüsse beschädigt werden können.

11. Ziehen Sie die Anschlusskabel zur Backofentür nicht fest und führen Sie sie nicht über heiße Oberflächen. Wenn das Kabel schmilzt, kann dies zu einem Kurzschluss im Backofen und sogar zu einem Brand führen.

12. Sollte das Netzkabel beschädigt sein, muss es entweder durch den Hersteller oder den zuständigen Kundendienst bzw. eine ausreichend qualifizierte Fachwerkstatt ausgetauscht werden, um Gefahrensituationen zu vermeiden.

13. Verwenden Sie zur Reinigung des Geräts keine Dampfreiniger, da dies zu Stromschlägen führen kann.

14. Ein omnipolarer Schalter, der die Stromversorgung unterbrechen kann, ist für die Installation erforderlich. Die Trennung von der Stromversorgung muss mit einem Schalter oder einer integrierten Sicherung versehen sein, die gemäß der Bauvorschriften an der festen Stromversorgung installiert ist.



15. Das Gerät ist mit einem **Y-Kabel** ausgestattet.

16. Feste Verbindungen müssen an eine Stromversorgung angeschlossen werden, die eine allpolige Trennung ermöglicht. Bei Geräten mit einer Überspannungskategorie unter III muss die Trennvorrichtung gemäß dem Verdrahtungscode an die feste Stromversorgung angeschlossen werden.

Verwendungszweck

1. Dieses Produkt ist für den Heimgebrauch bestimmt. Die kommerzielle Nutzung des Gerätes ist nicht gestattet.
2. Dieses Gerät darf nur zum Kochen verwendet werden. Es darf keinesfalls für andere Zwecke, wie z. B. die Beheizung des Raums, verwendet werden.
3. Dieses Gerät darf nicht zum Erhitzen von Platten unter dem Grill, zum Trocknen von Kleidung oder Handtüchern durch Aufhängen am Griff oder zu Heizzwecken verwendet werden.
4. Der Hersteller übernimmt keine Verantwortung für Schäden aufgrund von Fehlgebrauch oder falscher Handhabung.
5. Der Backofenteil des Geräts kann zum Auftauen, Rösten, Braten und Grillen von Speisen verwendet werden.
6. Die Lebensdauer des von Ihnen erworbenen Produkts beträgt 10 Jahre. Dies ist der Zeitraum, für den die für den Betrieb dieses Produkts erforderlichen Ersatzteile vom Hersteller zur Verfügung gestellt werden.

Methoden zum Schutz der Glaskeramik-Kochfläche

Keramikglasoberfläche ist unzerbrechlich und bis zu einem gewissen Grad kratzfest. Um Schaden zu vermeiden, gehen Sie bitte wie folgt vor:

1. Gießen Sie niemals kaltes Wasser auf heiße Glaskeramikplatten.

2. Do not stand on a ceramic glass plate.

3. Plötzlicher Druck, beispielsweise der Effekt eines fallenden Salzstreuers, kann kritisch sein. Stellen Sie solche Gegenstände daher nicht über den Kochfeldern auf.

4. Stellen Sie nach jedem Gebrauch sicher, dass der Boden des Kochtopfs und die Oberflächen der Kochzonen sauber und trocken sind.

5. Schälen Sie kein Gemüse auf den Oberflächen des Kochfeldes. Sandkörner, die vom Gemüse fallen, können die Keramikglasplatte zerkratzen.

6. Legen Sie keine brennbaren Materialien wie Karton oder Plastik auf den Ofen. Gegenstände wie Zinn, Zink oder Aluminium (sowie Aluminiumfolien oder leere Kaffeekannen) können auf heißen Kochflächen schmelzen und so Schäden verursachen.

7. Achten Sie darauf, dass keine zuckerhaltigen Lebensmittel oder Fruchtsäfte die heißen Kochzonen berühren. Die Keramikglasoberfläche kann dadurch gefärbt werden.

Elektrischer Anschluss

1. Ihr Backofen benötigt 40 Ampere Sicherungen entsprechend der Leistung des Geräts. Falls erforderlich, wird die Installation durch einen qualifizierten Elektriker empfohlen.

2. Ihr Backofen ist in Übereinstimmung mit 220-240V AC / 380-415V AC 50 / 60Hz eingestellt. Wenn das Netz von diesem angegebenen Wert abweicht, wenden Sie sich an Ihren autorisierten Kundendienst.

3. Der elektrische Anschluss des Backofens darf nur an den vorschriftsmäßig installierten Steckdosen mit Erdungssystem erfolgen. Wenn an der Stelle, an der der Backofen aufgestellt werden soll, keine geeignete Steckdose mit Erdungssystem vorhanden ist, wenden Sie sich sofort an einen qualifizierten Elektriker. Der Hersteller haftet niemals für die Schäden, die durch die an das Gerät ohne Erdungssystem angeschlossenen Steckdosen entstehen. Wenn die Enden des elektrischen Anschlusskabels offen sind, muss je nach Gerätetyp ein geeigneter Schalter im Stromnetz installiert werden, mit dem alle Enden beim Anschließen / Trennen vom / vom Stromnetz getrennt werden können.

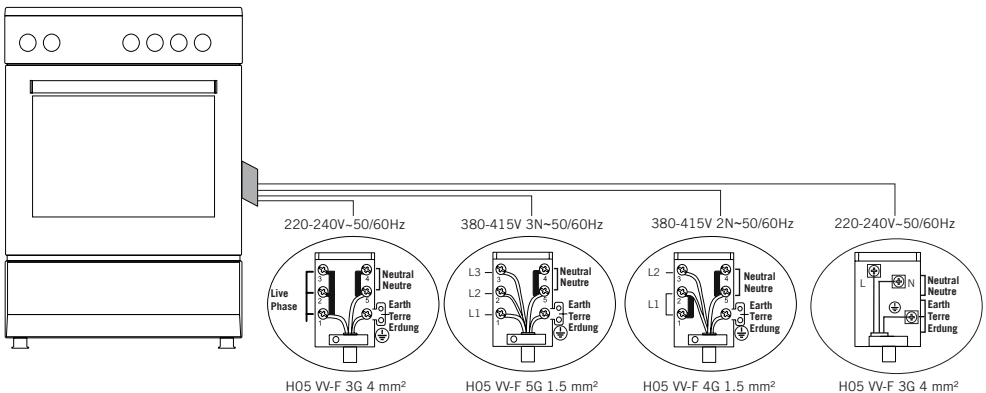
4. Wenn Ihr Stromversorgungskabel defekt wird, sollte es auf jeden Fall von einem autorisierten Kundendienst oder qualifizierten Elektriker ausgetauscht werden, um Gefahren zu vermeiden.

5. Das elektrische Kabel darf die heißen Teile des Geräts nicht berühren.

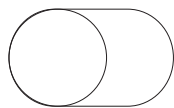
6. Bitte betreiben Sie Ihren Backofen in trockener Atmosphäre.

7. Wenn Sie Ihren Backofen an seinem Standort platzieren, stellen Sie sicher, dass es sich auf der Ebene der Arbeitsplatte befindet. Bringen Sie es auf die gleiche Höhe, indem Sie die Füße gegebenenfalls einstellen.

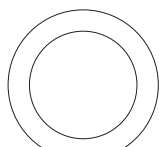
Elektrische anschlüsse



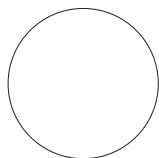
GERÄTEBESCHREIBUNG



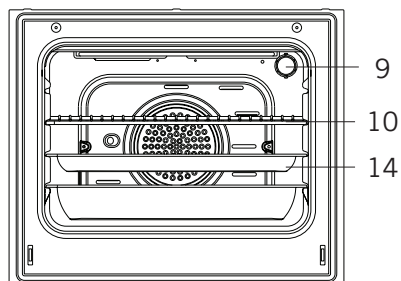
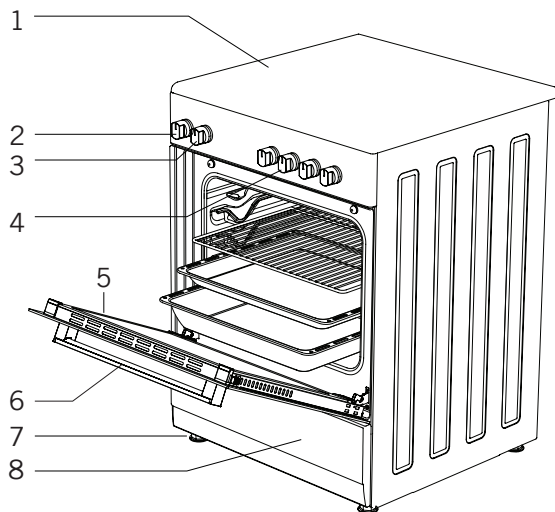
11



12



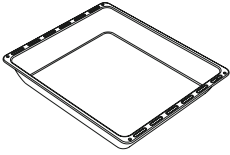
13



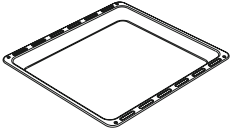
1. Obere Glasplatte
2. Thermostatschalter
3. Steuerschalter für das Ofen
4. Regler für Glaskeramikkochfelder
5. Ofentür
6. Griff
7. Kunststofffuß
8. Untere Schranktür

9. Lampe
10. Grill
11. Keramische Heizung (140 mm / 250 mm)*
12. Keramische Heizung (120 mm / 180 mm)*
13. Keramische Heizung (140 mm oder 180 mm)
14. Tablett

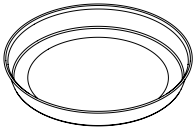
Zubehör

**Tiefes Tablett ***

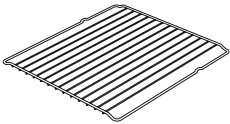
Für Feingebäck, große Braten, wässrige Lebensmittel. Kann auch als Sammelbehälter verwendet werden, wenn Sie Kuchen, gefrorene Lebensmittel oder Fischgerichte direkt auf dem Rost zubereiten.

**Tablett / Glas tablett**

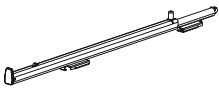
Für Feingebäck (kekse, biskuit usw.) gefrorene Lebensmittel.

**Rundes tablett ***

Für Feingebäck gefrorene Lebensmittel.

**Grillrost**

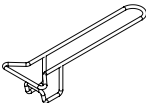
Zum Braten oder Erwärmen (gefrorener) Lebensmittel im gewünschten Einschub.

**Teleskopschiene ***

Bleche und Grillroste können dank der Teleskopschienen mühelos entfernt und installiert werden.

**Bratenrost ***

Das Bratenrost empfiehlt sich bei Lebensmitteln, die bei der Zubereitung anhaften, wie z. B. Steaks. Dadurch berühren die Lebensmittel nicht das darunter befindliche Blech und haften nicht an.

**Tablettgriff ***

Es wird verwendet, um heiße Tablett zu halten.

Technische Daten

Spezifikationen	50x55	50x60	60x60
Äußere breite	500 mm	500 mm	600 mm
Äußere tiefe	565 mm	630 mm	630 mm
Äußere höhe	855 mm	855 mm	855 mm
Lampenleistung	15-25 W		
Bodenheizelement	1000 W	1000 W	1200 W
Oberes heizelement	800 W	800 W	1000 W
Turbo-heizelement	-----	1800 W	2200 W
Grillheizelement	1500 W	1500 W	2000 W
Versorgungsspannung	220-240V AC/380-415V AC 50/60 Hz		
Heiße platte 145 mm *	1000 W		
Heiße platte 180 mm *	1500 W		
Heizplatte schnell 145 mm *	1500 W		
Heizplatte schnell 180 mm *	2000 W		
Keramische heizung 140 mm *	1200 W		
Keramische heizung 180 mm *	1700 W / 1800 W		
Keramische heizung 140 mm / 250 mm *	1800 W		
Keramische heizung 120 mm / 180 mm *	1700 W		

WARNUNG: Für die Änderung, die von autorisierten Service durchgeführt werden sollte, sollte diese Tabelle berücksichtigt werden. Der Hersteller haftet nicht für Probleme, die aufgrund von fehlerhaften Änderungen auftreten.

WARNUNG: Um die Produktqualität zu erhöhen, können die technischen Daten ohne vorherige Ankündigung geändert werden.

WARNUNG: Die mit dem Gerät oder seinen Begleitdokumenten gelieferten Werte sind Laborwerte, die den jeweiligen Normen entsprechen. Diese Werte können je nach Einsatz und Umgebungsbedingungen abweichen.

INSTALLATION IHRES BACKOFENS

Überprüfen Sie, ob die elektrische Installation geeignet ist, um das Gerät in den Betriebszustand zu bringen. Wenn die Strominstallation nicht geeignet ist, wenden Sie sich an einen Elektriker und einen Installateur, um die Versorgung nach Bedarf zu organisieren. Der Hersteller haftet nicht für Schäden, die durch Eingriffe von Unbefugten verursacht werden.

WARNUNG: Es liegt in der Verantwortung des Kunden, den Ort, an dem das Produkt platziert werden soll, vorzubereiten und die elektrische Installation vorzubereiten.

WARNUNG: Die Vorschriften in lokalen Normen für elektrische Installationen müssen während der Produktinstallation befolgt werden.

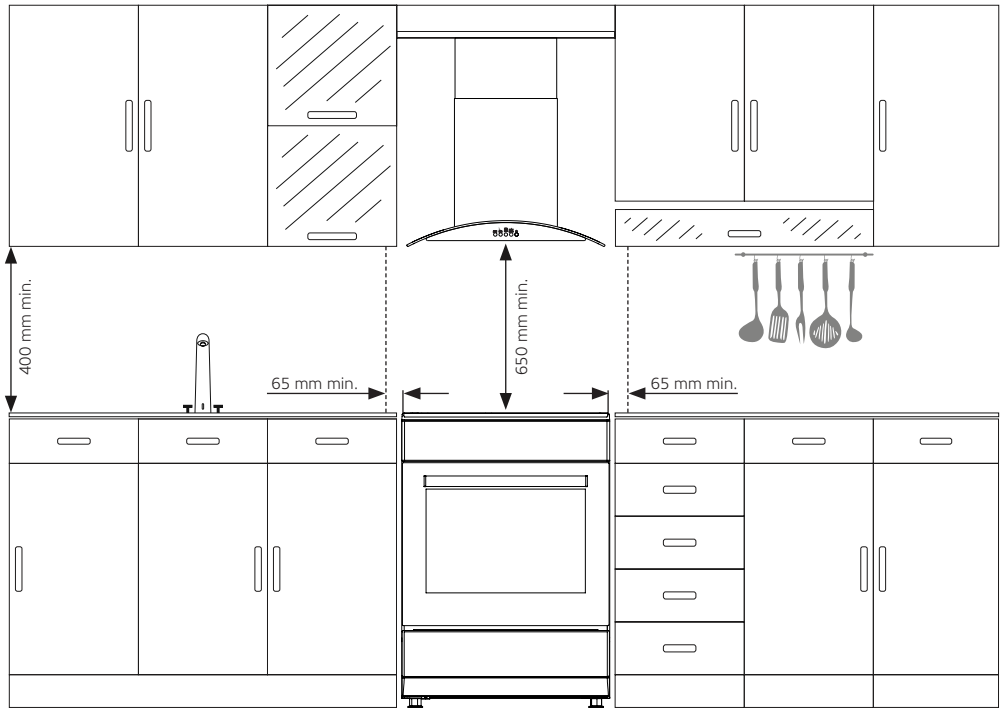
WARNUNG: Überprüfen Sie das Gerät vor der Installation auf Beschädigungen. Lassen Sie das Produkt nicht installieren, wenn es beschädigt ist. Beschädigte Produkte gefährden Ihre Sicherheit.

Der richtige Ort für die Installation und wichtige Warnungen

Gerätefüße sollten nicht auf weichen Oberflächen wie Teppichen stehen. Der Küchenboden muss belastbar sein, um das Gewicht des Geräts tragen zu können, sowie alle anderen Küchenutensilien, die im Backofen verwendet werden können.

Das Gerät sollte mit einem Abstand von mindestens 400 mm über den oberen Flächen des Kochfeldes und 65 mm von den Seitenflächen eines Küchenmöbels entfernt verwendet werden.

Das Gerät ist für den Einsatz an beiden Seitenwänden, ohne Unterstützung oder ohne Einbau in einen Schrank geeignet. Wenn eine Abzugshaube oder ein Aspirator über dem Herd installiert wird, befolgen Sie die Anweisungen des Herstellers für die Montagehöhe. (min. 650 mm)

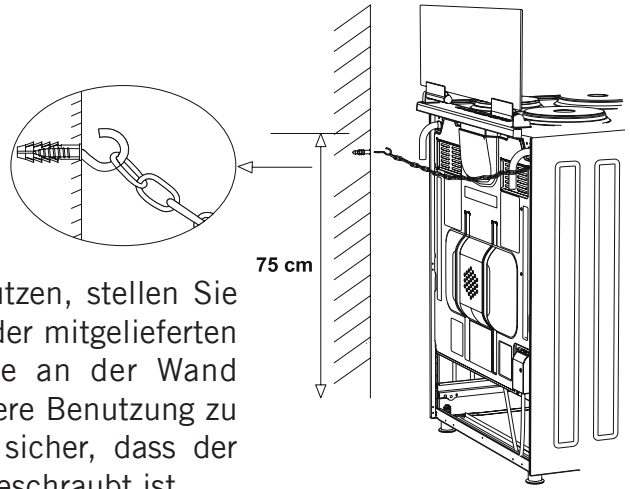


WARNUNG: Die Küchenmöbel in der Nähe des Gerätes müssen hitzebeständig sein.

WARNUNG: Installieren Sie das Gerät nicht neben Kühlschränken oder Kühlern. Die vom Gerät abgestrahlte Wärme erhöht den Energieverbrauch von Kühlgeräten.

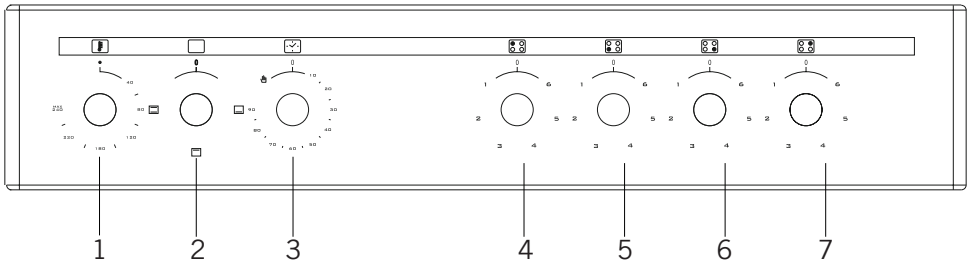
WARNUNG: Verwenden Sie die Tür und/oder den Griff nicht, um das Gerät zu tragen oder zu bewegen.

Kettenzurrung-Abbildung



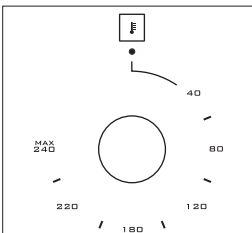
Bevor Sie das Gerät benutzen, stellen Sie sicher, dass das Gerät mit der mitgelieferten Kette und Hakenschraube an der Wand befestigt ist, um eine sichere Benutzung zu gewährleisten. Stellen Sie sicher, dass der Haken sicher in die Wand geschraubt ist.

STEUERTAFEL

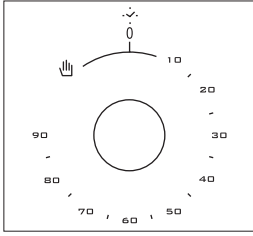


- | | |
|------------------------------------|-------------------------------------|
| 1 Thermostat | 5 Elektrischer Heizer vorne links |
| 2 Funktionswahltaste | 6 Elektrischer Heizer vorne rechts |
| 3 Mechanischer timer * | 7 Elektrischer Heizer hinten rechts |
| 4 Elektrischer Heizer hinten links | |

WARNUNG: Die obige Steuertafel dient nur zu Illustrationszwecken. Berücksichtigen Sie das Bedienfeld auf Ihrem Gerät.



Thermostat: Wird zur Bestimmung der Kochtemperatur der im Backofen zu garenden Speise verwendet. Nachdem Sie das Gargut in den Backofen gelegt haben, drehen Sie den Schalter, um die gewünschte Temperatur zwischen 40-240°C. einzustellen. Für Kochtemperaturen von verschiedenen Lebensmitteln, siehe Kochtabelle.



Mechanischer Timer*: Wird zur Bestimmung der Garzeit im Backofen verwendet. Wenn die eingestellte Zeit abgelaufen ist, wird die Stromversorgung der Heizer abgeschaltet und ein akustisches Warnsignal ausgegeben. Der mechanische Timer kann auf den gewünschten Zeitraum zwischen 0 und 90 Minuten eingestellt werden. Für Kochzeiten siehe Kochtabelle.

VERWENDUNG DES BACKOFENANSCHNITTS

Verwendung Von Backofenheizelementen

1. Wenn Ihr Ofen zum ersten Mal betrieben wird, wird ein Geruch ausgebreitet, der aus der Verwendung der Heizelemente stammt. Um dies zu vermeiden, betreiben Sie es bei 240 ° C für 45-60 Minuten, während es leer ist.
2. Der Backofenkontrollknopf sollte auf den gewünschten Wert eingestellt sein; Andernfalls funktioniert der Backofen nicht.
3. Die Arten der Mahlzeiten, die Kochzeiten und die Positionen des Thermostats sind in der Kochtabelle angegeben. Die in der Kochtabelle angegebenen Werte sind charakteristische Werte und wurden als Ergebnis der in unserem Labor durchgeführten Tests erhalten. Abhängig von Ihren Koch- und Essgewohnheiten finden Sie verschiedene Geschmacksrichtungen, die Ihrem Geschmack entsprechen.
4. Sie können das Hähnchen mit Hilfe des Zubehörs in Ihrem Backofen drehen lassen.
5. Kochzeiten: Die Ergebnisse können sich entsprechend der Flächen- spannung und des Materials mit unterschiedlicher Qualität, Menge und Temperatur ändern.
6. Während der Garzeit im Backofen sollte der Deckel des Ofens nicht häufig geöffnet werden. Andernfalls kann die Zirkulation der Wärme unausgeglichen sein und die Ergebnisse können sich ändern.

Verwendung Des Grills

1. Wenn Sie den Grill auf das obere Regal stellen, darf das Grillgut den Grill nicht berühren.
2. Sie können beim Grillen 5 Minuten lang vorheizen. Wenn nötig, können Sie das Essen auf den Kopf stellen.
3. Die Lebensmittel müssen in der Mitte des Grills sein, um einen maximalen Luftstrom durch den Backofen zu gewährleisten.

Um den Grill einzuschalten;

1. Platzieren Sie den Funktionsschalter über dem Grillsymbol.
2. Stellen Sie dann die gewünschte Grilltemperatur ein.

Um den Grill auszuschalten;

Stellen Sie die Funktionstaste auf die Position „Aus“.

WARNUNG: Halten Sie die Backofentür beim Grillen geschlossen. (elektrischer Grill)

WARNUNG: Halten Sie die Backofentür beim Grillen offen. (Gasgrill)

Hühnchen-Bratfunktion Verwenden *

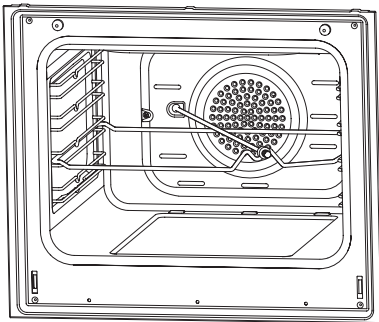


Abb. 1

Platzieren sie den spieß am rahmen. Schieben sie den drehspießrahmen auf der gewünschten höhe in den ofen. Platzieren sie die tropfschale zum aufsammeln von fett durch den boden. Geben sie zur einfacheren reinigung etwas wasser in die tropfschale. Vergessen sie nicht, den kunststoffteil vom spieß zu entfernen. Schrauben sie den kunststoffgriff nach dem grillen auf den spieß und nehme sie das gericht aus dem ofen.

Verwendung Des Kochfeldabschnitts

Gebrauch des glaskeramik kochfeldes

	Höhe 1	Höhe 2	Höhe 3	Höhe 4	Höhe 5	Höhe 6	Höhe 7	Höhe 8	Höhe 9	Max.
140 mm Kommutator	130 W	206 W	350 W	500 W	850 W	1200 W	---	---	---	---
180 mm Kommutator	180 W	470 W	790 W	850 W	1230 W	1700 W	---	---	---	---
180 mm Regler	1800 W	1800 W	1800 W	1800 W	1800 W	1800 W	1800 W	1800 W	1800 W	---
140/250 mm	1000 W	1000 W	1000 W	1000 W	1000 W	1000 W	1000 W	1000 W	1000 W	1800 W
120/180 mm Dual Hilight	700 W	700 W	700 W	700 W	700 W	700 W	700 W	700 W	700 W	1700 W

1. Mit den entsprechenden Bedienschaltern auf der Bedienblende können Sie die einzelnen Kochzonen einschalten. Achten Sie auf die zugeordneten Kochzonen. Die gewünschte Temperatur kann über den Thermostat- Regler stufenlos eingestellt werden. Mit dem Drehen der Schalter im Uhrzeigersinn kann die Temperatur bis zur max. Temperatur bei den einfachen Kochzonen eingestellt werden.

2. Für gute Koch- und Bratergebnisse empfehlen wir den Gebrauch von geeignetem Geschirr für Glaskeramik-Kochfelder. Die Größe des Kochgeschirrs sollte den Kochzonen angepasst sein.

3. Zur Energieeinsparung empfehlen wir Ihnen den Gebrauch von Deckeln für Töpfe und Pfannen.

4. Stellen Sie Ihr Geschirr auf die Kochzonen bevor Sie diese einschalten. Nutzen Sie die Restwärme der Heizungen und schalten Sie die Kochzonen vor Ende des Koch- und Backvorgangs ab.

5. Die Funktion der kleinen, runden Kocheinheiten sind wie die einfachen Kochzonen bis zur "max." Position zu bedienen. Durch Weiterdrehen des Schalters im Uhrzeigersinn wird über ein Schaltpunkt die zusätzliche Heizzone eingeschaltet. Mit dem Bedienschalter kann jetzt die Temperatur der Einheit eingestellt werden. Die Funktion wird beim Zurückdrehen auf die „0“- Position wieder gelöscht.

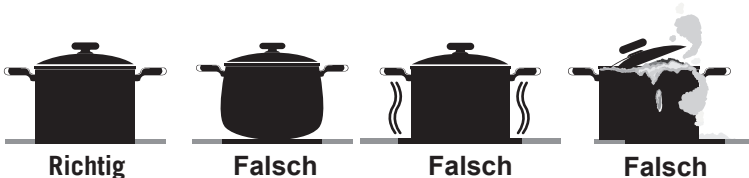
Verwendung Der Heißen Platten

	Niveau 1	Niveau 2	Niveau 3	Niveau	Niveau 5	Niveau 6
80 mm	200 W	250 W	450 W	---	---	---
145 mm	250 W	750 W	1000 W	---	---	---
180 mm	500 W	750 W	1500 W	---	---	---
145 mm schnell	500 W	1000 W	1500 W	---	---	---
180 mm schnell	850 W	1150 W	2000 W	---	---	---
145 mm	95 W	155 W	250 W	400 W	750 W	1000 W
180 mm	115 W	175 W	250 W	600 W	850 W	1500 W
145 mm schnell	135 W	165 W	250 W	500 W	750 W	1500 W
180 mm schnell	175 W	220 W	300 W	850 W	1150 W	2000 W
220 mm	220 W	350 W	560 W	910 W	1460 W	2000 W

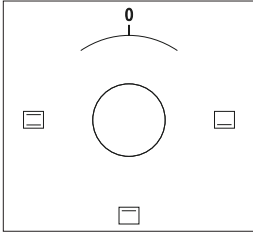
1. Elektrokochplatten haben standardmäßig 6 Temperaturstufen. (wie oben beschrieben)

2. Wenn Sie das Gerät zum ersten Mal benutzen, betreiben Sie Ihre elektrische Kochplatte 5 Minuten lang in Position 6. Dadurch wird das wärmeempfindliche Agent auf Ihrer Heizplatte durch Verbrennen gehärtet.

3. Verwenden Sie Kochtöpfe mit flachem Boden, die vollständig mit der Hitze in Kontakt kommen, so dass Sie die Energie produktiver nutzen können.



PROGRAMMTYPEN



Funktionstasten: Wird zur Bestimmung der Heizerverwendet, die zum Garen der im Ofen zu garenden Speise verwendet werden. Die Heizprogrammtypen in dieser Taste und ihre Funktionen werden im Folgenden beschrieben. Alle Heizungsarten und Programmarten, die aus diesen Heizungen bestehen, sind möglicherweise nicht bei allen Modellen verfügbar.

	Drehspieß		Lüfter
	Heizelement Oben + Unten		Heizelement Turbo + Lüfter
	Leuchte		Heizelement Oben + Unten + Lüfter
	Heizelement Unten + Lüfter		Grillheizelement + Lüfter
	Grillheizelement		Grillheizelement
	Grillheizelement + Leuchte		Heizelement oben
	Elektro timer		Heizelement unten

WARNUNG: Alle Heizungsarten und Programmarten, die aus diesen Heizungen bestehen, sind möglicherweise nicht bei allen Modellen verfügbar.

KOCHZEIT-TABELLE

WARNUNG: Der Ofen muss 10 Minuten vorgeheizt werden, bevor Sie Lebensmittel hineingeben.

Lebensmittel	Zubereitung Funktion	Zubereitungs Temperatur (°C)	Einschub	Zubereitungs Zeit (Min.)
Kuchen	Statik / Statik + Ventilator	170-180	2	35-45
Kleine kuchen	Statik / Turbo + Ventilator	170-180	2	25-30
Patty	Statik / Statik + Ventilator	180-200	2	35-45
Pastry	Statik	180-190	2	25-30
Plätzchen	Statik	170-180	3	20-25
Apfelkuchen	Statik / Turbo + Ventilator	180-190	2	50-70
Biskuitkuchen	Statik	200/150 *	2	20-25
Pizza	Statik + Ventilator	180-200	3	20-30
Lasagne	Statik	180-200	2	25-40
Baiser	Statik	100	2	60
Huhn	Statik + Ventilator / Turbo + Venti.	180-190	2	45-50
Gegrilltes hühnchen **	Grill	200-220	4	25-30
Fisch vom grill **	Grill + Ventilator	200-220	4	25-30
Lendensteak **	Grill + Ventilator	Max.	4	15-20
Gegrilltes fleisch balls **	Grill	Max.	4	20-25

* Ohne Vorheizung. Die Hälfte des Kochens sollte 200 °C betragen und die zweite Hälfte sollte 150 °C betragen.

** Während der Hälfte des Kochens sollte die Mahlzeit umgedreht werden.

WARTUNG UND REINIGUNG

1. Während der Backofen in Betrieb ist oder kurz nachdem er in Betrieb ist, ist es extrem heiß. Sie müssen das Berühren von Heizelementen vermeiden.

2. Reinigen Sie das Innenteil, die Verkleidung, den Deckel, die Tablett und alle anderen Teile des Backofens niemals mit Werkzeugen wie harten Pinseln, Reinigungsgittern oder Messern. Verwenden Sie keine scheuernden, kratzenden Mittel und Reinigungsmittel.

3. Nach dem Reinigen der Innenteile des Backofens mit einem Seifenlappen, spülen Sie es aus und trocknen Sie es anschließend gründlich mit einem weichen Tuch ab.

4. Reinigen Sie die Glasflächen mit speziellen Glasreinigungsmitteln.

5. Reinigen Sie Ihren Backofen nicht mit Dampfreinigern.

6. Bevor Sie den oberen Deckel des Backofens öffnen, reinigen Sie die verschüttete Flüssigkeit vom Deckel. Stellen Sie vor dem Schließen des Deckels sicher, dass der Herdtisch ausreichend gekühlt ist.

7. Verwenden Sie niemals brennbare Substanzen wie Säure, Verdünner und Benzin, wenn Sie Ihren Backofen reinigen.

8. Waschen Sie keinen Teil Ihres Backofens in der Spülmaschine.

9. Um den vorderen Glasdeckel des Backofens zu reinigen; Entfernen Sie die Befestigungsschrauben, die den Griff mit einem Schraubendreher fixieren und entfernen Sie die Backofentür. Dann reinigen und gründlich abspülen. Nach dem Trocknen das Backofenglas richtig platzieren und den Griff wieder anbringen.

Backofentürmontage

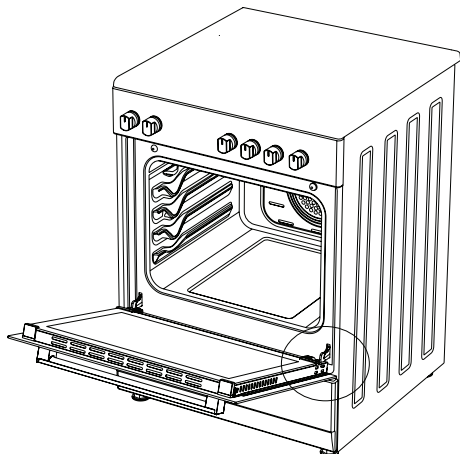


Abb. 2

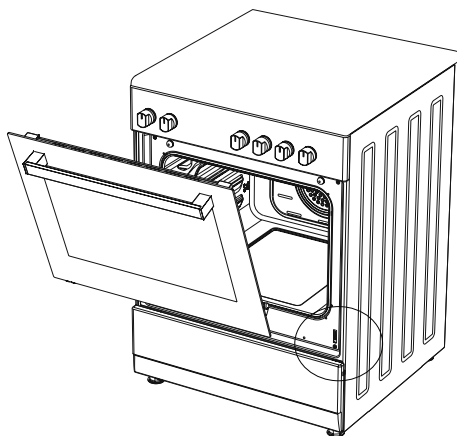


Abb. 3

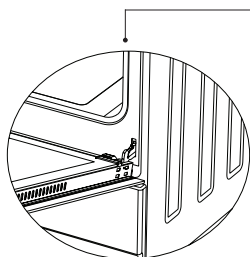


Abb. 2.1

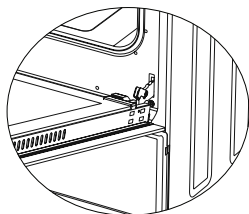


Abb. 2.2

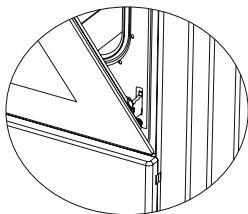


Abb. 3.1

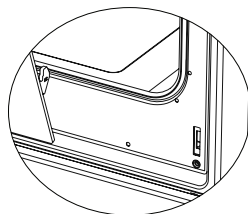


Abb. 3.2

Öffnen Sie die Backofentür bis zum Anschlag, indem Sie sie zu sich ziehen. Schieben Sie den Scharnierriegel wie auf **abb. 2.1** mithilfe des Schraubendrehers nach oben.

Bringen Sie den Scharnierriegel wie auf **abb. 2.2** in den größtmöglichen Winkel. Bringen Sie beide Scharniere, die die Backofentür mit dem Backofen verbinden, in die gleiche Position.

Schließen Sie die Backofentür anschließend wie auf **abb. 3.1**, bis sie den Scharnierriegel berührt.

Um die Tür auszuhängen, schließen Sie die Tür fast bis zum Anschlag, fassen Sie die Tür mit beiden Händen an und ziehen Sie sie wie auf **abb. 3.2** nach oben.

Um die Backofentür wieder einzusetzen, führen Sie die oben genannten Schritte in umgekehrter Reihenfolge durch.

Reinigung Und Wartung Der Ofenglastür

Entfernen sie das profil, indem sie die kunststoffriegel auf der linken und rechten seite wie in abbildung 4 dargestellt eindrücken und das profil, wie in abbildung 5 zu sich ziehen. Entfernen sie die innere glasscheibe wie in abbildung 6 dargestellt. Falls erforderlich kann die mittlere glasscheibe auf die gleiche weise entfernt werden. Nach der reinigung und wartung montieren sie bitte glasscheiben und profil in umgekehrter reihenfolge wieder ein. Stellen sie sicher, dass das profil richtig fest sitzt.

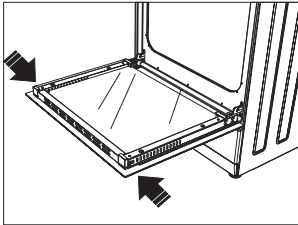


Abb.4

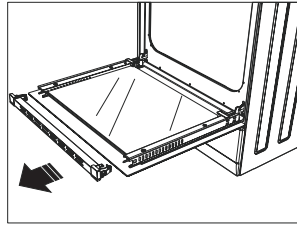


Abb.5

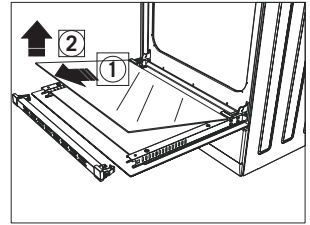


Abb.6

Katalytische Wände *

Die katalytischen wände befinden sich an der linken und rechten seite des garraums unter den schienen. Die katalytischen wände beseitigen unangenehme gerüche und sorgen für optimale leistung des gerätes. Außerdem absorbieren die katalytischen wände ölreste und reinigen ihren ofen im betrieb.

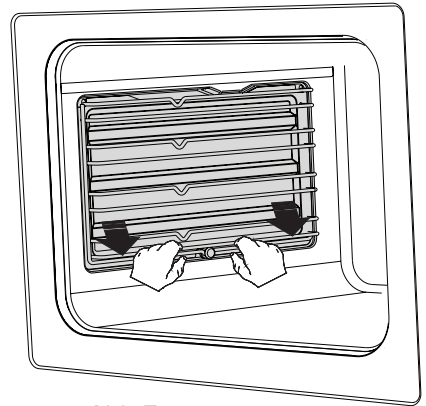
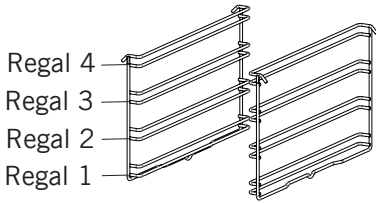


Abb.7

Die katalytischen Wände entfernen

Zum entfernen der katalytischen wände müssen die schienen herausgezogen werden. Sobald sie die schienen herausgezogen haben, werden die katalytischen wände automatisch gelöst. Die katalytischen wände müssen alle 2 bis 3 jahre ausgewechselt werden.

Regalposition



Es ist wichtig, den Drahtgrill richtig in den Backofen zu stellen. Vermeiden Sie, dass das Gitter die Rückwand des Backofens berührt. Regalpositionen sind in der nächsten Abbildung dargestellt. Sie können ein tiefes Fach oder ein Standardfach in die unteren und oberen Gitterregale legen.

Drahtgitter installieren und entfernen

Um die Drahtgitter zu entfernen, drücken Sie auf die in der Abbildung gezeigten Pfeile, entfernen Sie zuerst die untere und dann die obere Seite vom Installationsort. Um Drahtgitter zu installieren; Führen Sie den Vorgang zum Entfernen des Drahtgitters um.

Auswechseln Der Backofenlampe

WARNUNG: Vergewissern sie sich vor dem auswechseln der lampe, dass der stromkreis des gerätes offen ist, damit sie keinen stromschlag bekommen. (Ein offener stromkreis bedeutet, dass der strom abgeschaltet ist.)

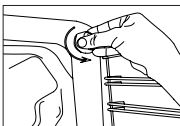
Stellen sie zuerst den strom des gerätes ab und vergewissern sie sich, dass das gerät erkaltet ist.

Entfernen sie die glasabdeckung, indem sie sie, wie auf dem bild zu sehen, herausdrehen. Wenn sich die abdeckung nur schwer drehen lässt, nehmen sie plastikhandschuhe zu hilfe.

Drehen sie die lampe heraus und setzen sie Eine neue lampe mit den gleichen eigenschaften ein.

Setzen sie die glasabdeckung wieder ein und stecken sie den stecker des gerätes in die steckdose. Jetzt können sie ihren backofen wieder benutzen.

Typ G9 Lampe



220-240 V, AC
15-25 W

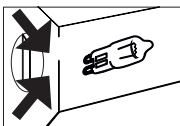


Abb. 8

Typ E14 Lampe



220-240 V, AC
15 W



Abb. 9

Verwendung des Grillabweiserblechs * Für dieses Modell nicht erforderlich

1. Eine Sicherheitsabdeckung schützt das Bedienfeld und die Tasten, wenn sich der Backofen im Grillmodus befindet. (abbildung 10)

2. Eine Sicherheitsabdeckung schützt das Bedienfeld und die Tasten, wenn sich der Backofen im Grillmodus befindet.

WARNUNG: Während der Verwendung des Grills können die zugänglichen Teile heiß sein. Kleinkinder sind fernzuhalten.

3. Stellen Sie die Sicherheitsabdeckung unter das Bedienfeld, indem Sie das Glas der Frontabdeckung öffnen. (abbildung 11)

4. Sichern Sie danach die Sicherheitsabdeckung zwischen Backofen und vorderer Abdeckung, indem Sie die Abdeckung vorsichtig schließen. (abbildung 12)

5. Beim Kochen im Grillmodus ist es wichtig, dass die Abdeckung in einem bestimmten Abstand geöffnet bleibt.

6. Die Sicherheitsabdeckung bietet ideale Kochbedingungen und schützt das Bedienfeld und die Tasten.

WARNUNG: Wenn der Herd die Option „**Geschlossener Grill funktioniert**“ mit Thermostat hat, können Sie die Backofentür während des Betriebs geschlossen halten; In diesem Fall wird das Grillabweiserblech nicht benötigt.

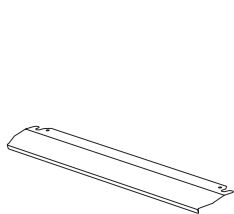


Abb. 10

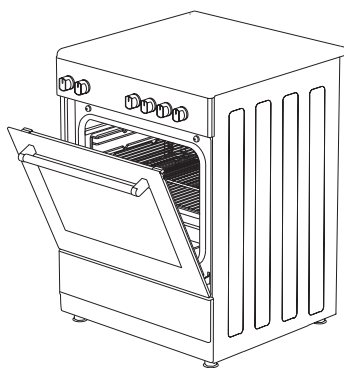


Abb. 11

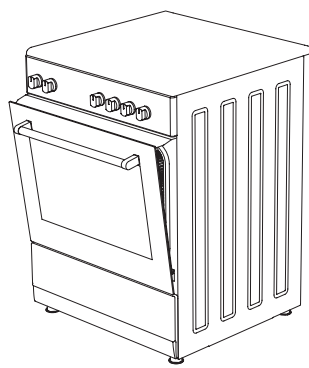


Abb. 12

FEHLERBEHEBUNG

Sie können die Probleme, die bei Ihrem Produkt auftreten können, beheben, indem Sie die folgenden Punkte überprüfen, bevor Sie den technischen Service anrufen.

Prüfpunkte

Wenn Sie ein Problem mit dem Backfen haben, prüfen Sie zuerst die Tabelle unten und probieren Sie die Vorschläge aus.

Problem	Mögliche ursache	Was ist zu tun
Backofen funktioniert nicht.	Stromversorgung nicht verfügbar.	Auf Stromversorgung prüfen.
Schaltet während des Kochens aus.	Zu langer Dauerbetrieb.	Lassen Sie den Backofen nach langen Garzyklen abkühlen.
Backofentür öffnet nicht richtig.	Essensreste klemmen zwischen der Tür und der inneren Höhle.	Den Backofen gut reinigen und versuchen, die Tür wieder zu öffnen.
Stromschlag beim Berühren des Backofens.	Keine ordnungsgemäße Erdung.	Stellen Sie sicher, dass die Stromversorgung ordnungsgemäß geerdet ist.
	Es wird eine nicht geerdete Steckdose verwendet.	
Wasser tropft.	Je nach Art des Garguts können unter bestimmten Bedingungen Wasser oder Dampf entstehen. Dies ist kein Fehler des Geräts.	Lassen Sie den Backofen abkühlen und trocknen Sie ihn mit einem Geschirrtuch ab.
Aus einem Spalt an der Backofentür kommt Dampf heraus.		
Wasser bleibt im Backofen.		
Während des Betriebs tritt Rauch aus.	Wenn Sie den Backofen zum ersten Mal benutzen	Rauch kommt aus den Heizern. Dies ist kein Fehler. Nach 2-3 Zyklen wird es keinen Rauch mehr geben.
	Essen auf dem Heizer.	Lassen Sie den Backofen abkühlen und reinigen Sie Speisereste von dem Heizer.

Problem	Mögliche ursache	Was ist zu tun
Bei Betrieb des Backofens Brand- oder Kunststoffgeruch aus.	Im Backofen werden Kunststoff oder andere nicht hitzebeständige Zubehörteile verwendet.	Verwenden Sie bei hohen Temperaturen geeignetes Zubehör für Glaswaren.
Ofen erhitzt sich nicht.	Backofentür ist offen.	Schließen Sie die Tür und starten Sie ihn erneut.
	Backofensteuerungen nicht richtig eingestellt.	Lesen Sie den Abschnitt über den Betrieb des Backofens und setzen Sie den Backofen zurück.
	Sicherung ausgelöst oder Schutzschalter ausgeschaltet.	Ersetzen Sie die Sicherung oder setzen Sie den Leistungsschalter zurück. Wenn sich dies häufig wiederholt, wenden Sie sich an einen Elektriker.
Backofen kocht nicht gut.	Die Ofentür wird während des Kochens häufig geöffnet.	Öffnen Sie die Backofentür nicht häufig. Wenn das Gargut nicht gedreht werden muss. Wenn Sie die Tür öfters öffnen, sinkt die Innentemperatur und das Kochergebnis wird beeinflusst.
Das interne Licht ist schwach oder funktioniert nicht.	Fremder Gegenstand bedeckt die Lampe während des Kochens.	Reinigen Sie die Innenfläche des Backofens und überprüfen Sie erneut.
	Die Lampe ist möglicherweise defekt.	Ersetzen Sie durch eine Lampe mit den gleichen Spezifikationen.

HANDHABUNGSREGELN

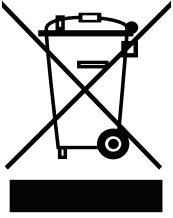
1. Verwenden Sie die Tür und/oder den Griff nicht, um das Gerät zu tragen oder zu bewegen.
2. Führen Sie das Tragen und den Transport in der Originalverpackung durch.
3. Achten Sie während des Ladens/Entladens und der Handhabung auf das Gerät.
4. Stellen Sie sicher, dass die Verpackung während der Handhabung und des Transports sicher verschlossen ist.
5. Vor äußeren Einflüssen (wie Feuchtigkeit, Wasser usw.) schützen, die die Verpackung beschädigen können.
6. Achten Sie darauf, dass das Gerät während der Handhabung und des Transports nicht durch Stöße, Stürze usw. und während des Betriebs nicht beschädigt wird.

EMPFEHLUNGEN ZUR ENERGIESPARUNG

Die folgenden Angaben helfen Ihnen, Ihr Produkt ökologisch und ökonomisch zu nutzen.

1. Verwenden Sie dunkle Gefäße und Emailbehälter, die die Hitze im Backofen besser leiten.
2. Wenn Sie in der Rezeptur oder in der Bedienungsanleitung angeben, dass ein Vorheizen erforderlich ist, heizen Sie den Backofen vor.
3. Öffnen Sie die Ofentür während des Kochens nicht häufig.
4. Versuchen Sie nicht mehrere Gerichte gleichzeitig im Backofen zu garen. Sie können gleichzeitig kochen, indem Sie zwei Kocher auf das Drahtgitter platzieren.
5. Mehrere Gerichte nacheinander kochen. Der Backofen wird keine Wärme verlieren.
6. Schalten Sie den Backofen einige Minuten vor Ablauf der Garzeit aus. Öffnen Sie in diesem Fall die Backofen tür nicht.
7. Gefriergut vor dem Garen auftauen.

UMWELTGERECHTE ENTSORGUNG



Bitte entsorgen sie verpackungen auf umweltfreundliche weise.

Dieses Gerät ist gemäß der Europäischen Richtlinie 2012/19/EU in Bezug auf gebrauchte elektrische und elektronische Geräte (Elektro-und Elektronik-Altgeräte -WEEE) gekennzeichnet. Die Richtlinie bestimmt den Gesetzesrahmen für die Rücknahme und Wiederverwertung von Altgeräten in der EU.

VERPACKUNGSINFORMATIONEN

Die verpackungsmaterialien des gerätes wurden gemäß nationalen umweltschutzbestimmungen aus recyclingfähigen materialien Hergestellt. Entsorgen sie verpackungsmaterialien nicht über den Haus- oder anderen müll. Bringen sie sie zu den von örtlichen behörden zugewiesenen sammelstellen für verpackungsmaterialien.