



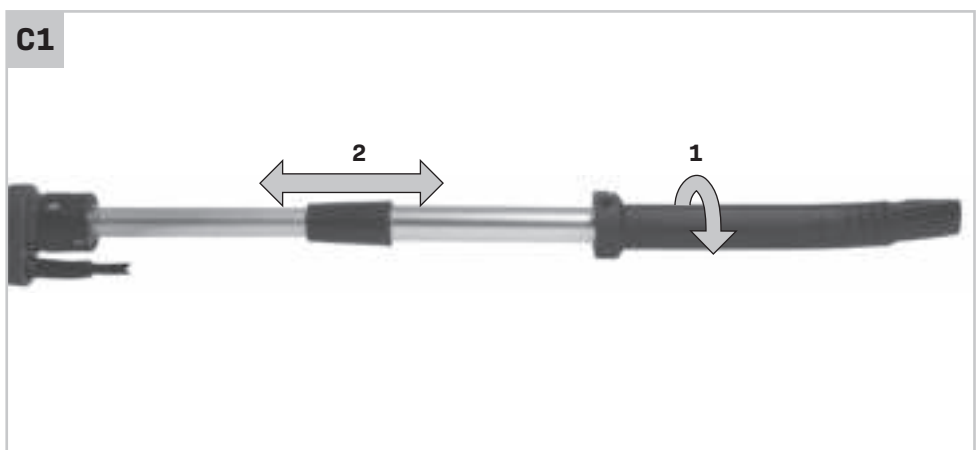
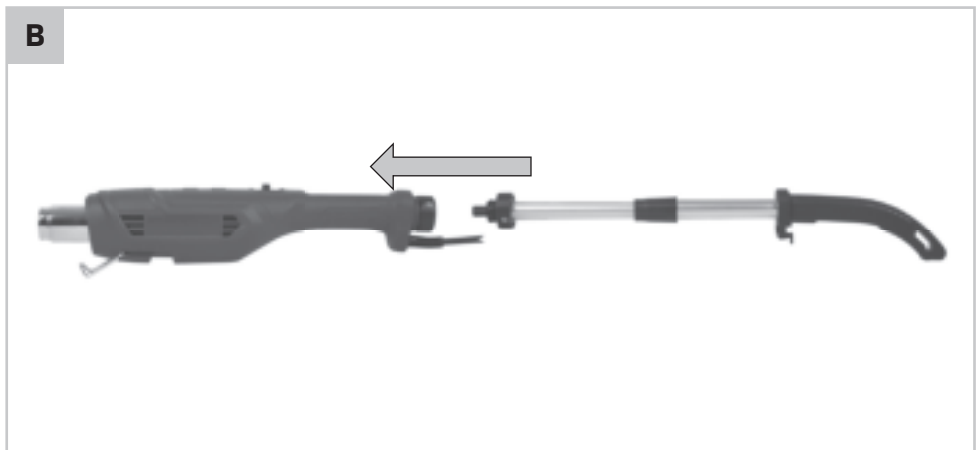
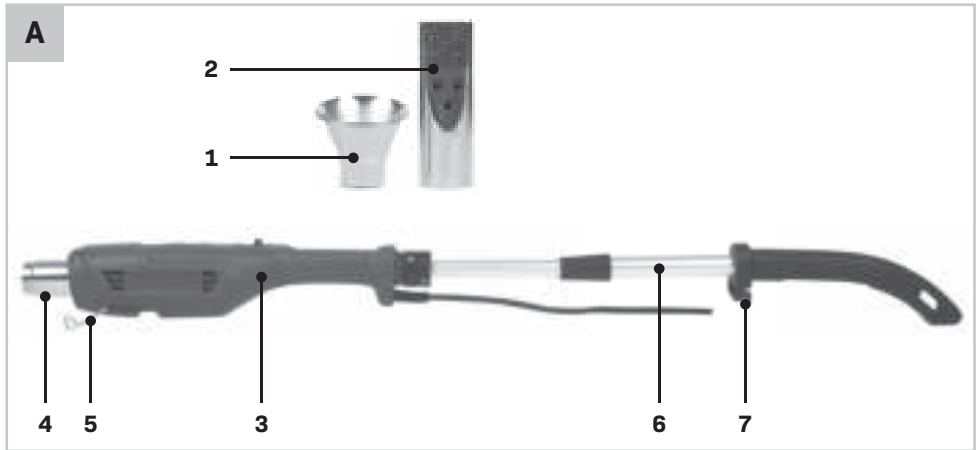
**VONROC®**

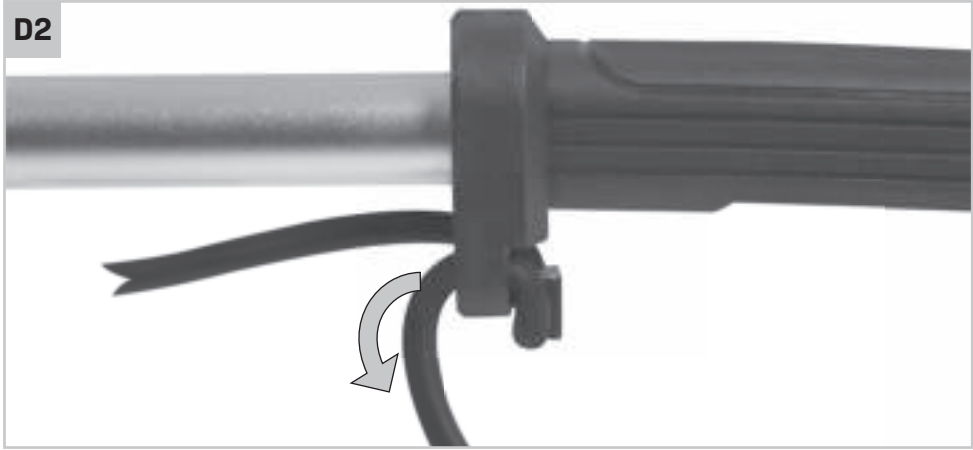
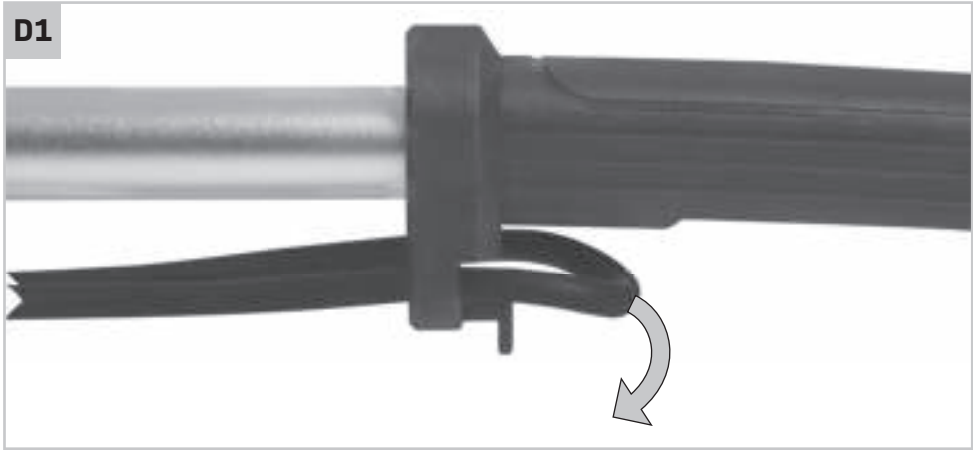
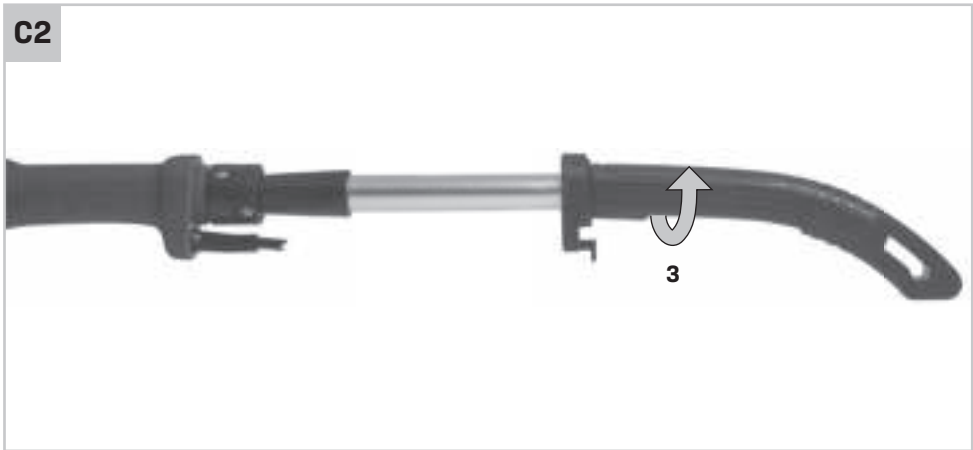
BUILD YOUR FUTURE

## WEED BURNER WB503AC

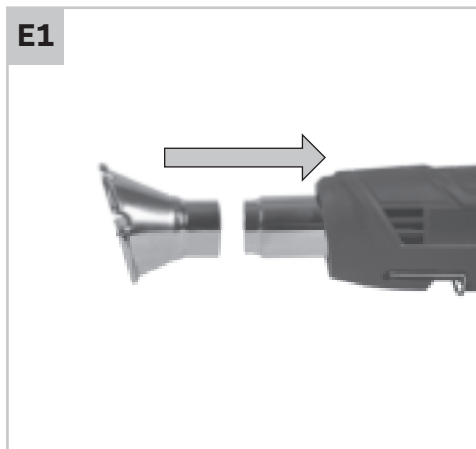


<b>EN</b>	Original Instructions	05
<b>DE</b>	Übersetzung Der Originalbetriebsanleitung	10
<b>NL</b>	Vertaling van de oorspronkelijke gebruiksaanwijzing	16
<b>FR</b>	Traduction de la notice originale	23
<b>ES</b>	Traducción del manual original	29
<b>IT</b>	Traduzione delle istruzioni originali	35
<b>SV</b>	Översättning av bruksanvisning i original	41
<b>DA</b>	Oversættelse af den originale brugsanvisning	46
<b>PL</b>	Tłumaczenie instrukcji oryginalnej	52
<b>RO</b>	Traducere a instrucțiunilor originale	58

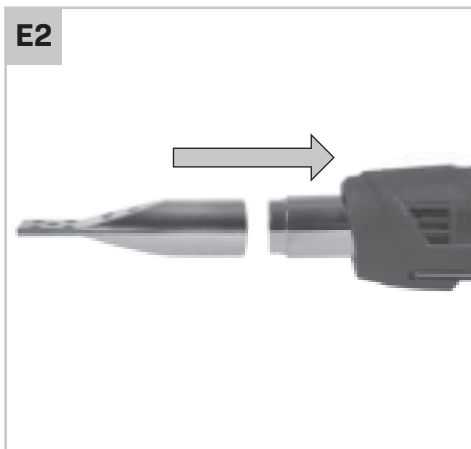




**E1**



**E2**



**F**



**G**



## 1. SAFETY INSTRUCTIONS

Read the enclosed safety warnings, the additional safety warnings and the instructions. Failure to follow the safety warnings and the instructions may result in electric shock, fire and/or serious injury. Save the safety warnings and the instructions for future reference.

The following symbols are used in the user manual or on the product:



*Read the user manual.*



*Denotes risk of personal injury, loss of life or damage to the tool in case of nonobservance of the instructions in this manual.*



*Indicates electrical shock hazard.*



*Do not expose to rain*



*Fire hazard*



*Remove plug from mains immediately if the cable is damaged or cut*



*Caution! Hot surface. Risk of burns due to hot surfaces. Do not touch!*



*Class II machine - Double insulation - You don't need any earthed plug.*

## GENERAL POWER TOOL SAFETY WARNINGS



**WARNING! Read all safety warnings and all instructions.** Failure to follow the warnings and instructions may result in electric shock, fire and/or serious injury.

**Save all warnings and instructions for future reference.**

The term "power tool" in the warnings refers to your mains-operated (corded) power tool or battery-operated (cordless) power tool.

### 1) Work area safety

- Keep the work area clean and well lit.** Cluttered or dark areas invite accidents.
- Do not operate power tools in explosive atmos-**

**pheres, such as in the presence of flammable liquids, gases or dust.** Power tools create sparks which may ignite the dust or fumes.

- Keep children and bystanders away while operating a power tool.** Distractions can cause you to lose control.
- This appliance can be used by children aged from 8 years and above and persons with reduced physical, sensory or mental capabilities or lack of experience and knowledge if they have been given supervision or instruction concerning use of the appliance in a safe way and understand the hazards involved.** Children shall not play with the appliance. Cleaning and user maintenance shall not be made by children without supervision.

### 2) Electrical safety

- Power tool plugs must match the outlet. Never modify the plug in any way. Do not use any adapter plugs with earthed (grounded) power tools.** Unmodified plugs and matching outlets will reduce risk of electric shock.
- Avoid body contact with earthed or grounded surfaces, such as pipes, radiators, ranges and refrigerators.** There is an increased risk of electric shock if your body is earthed or grounded.
- Do not expose power tools to rain or wet conditions.** Water entering a power tool will increase the risk of electric shock.
- Do not abuse the cord. Never use the cord for carrying, pulling or unplugging the power tool. Keep cord away from heat, oil, sharp edges or moving parts.** Damaged or entangled cords increase the risk of electric shock.
- When operating a power tool outdoors, use an extension cord suitable for outdoor use.** Use of a cord suitable for outdoor use reduces the risk of electric shock.
- If operating a power tool in a damp location is unavoidable, use a residual current device (RCD) protected supply.** Use of an RCD reduces the risk of electric shock.

### 3) Personal safety

- Stay alert, watch what you are doing and use common sense when operating a power tool. Do not use a power tool while you are tired or under the influence of drugs, alcohol or medication.** A moment of inattention while operating power tools may result in serious personal injury.

- b) **Use personal protective equipment. Always wear eye protection.** Protective equipment such as dust mask, non-skid safety shoes, hard hat, or hearing protection used for appropriate conditions will reduce personal injuries.
- c) **Prevent unintentional starting. Ensure the switch is in the off-position before connecting to power source and/or battery pack, picking up or carrying the tool.** Carrying power tools with your finger on the switch or energising power tools that have the switch on invites accidents.
- d) **Remove any adjusting key or wrench before turning the power tool on.** A wrench or a key left attached to a rotating part of the power tool may result in personal injury.
- e) **Do not overreach. Keep proper footing and balance at all times.** This enables better control of the power tool in unexpected situations.
- f) **Dress properly. Do not wear loose clothing or jewellery. Keep your hair, clothing and gloves away from moving parts.** Loose clothes, jewellery or long hair can be caught in moving parts.
- g) **If devices are provided for the connection of dust extraction and collection facilities, ensure these are connected and properly used.** Use of dust collection can reduce dust related hazards.
- h) **Do not let familiarity gained from frequent use of tools allow you to become complacent and ignore tool safety principles.** A careless action can cause severe injury within a fraction of a second.
- 4) Power tool use and care**
- a) **Do not force the power tool. Use the correct power tool for your application.** The correct power tool will do the job better and safer at the rate for which it was designed.
- b) **Do not use the power tool if the switch does not turn it on and off.** Any power tool that cannot be controlled with the switch is dangerous and must be repaired.
- c) **Disconnect the plug from the power source and/or the battery pack from the power tool before making any adjustments, changing accessories, or storing power tools.** Such preventive safety measures reduce the risk of starting the power tool accidentally.
- d) **Store idle power tools out of the reach of children and do not allow persons unfamiliar with the power tool or these instructions to operate the power tool.** Power tools are dangerous in the hands of untrained users.
- e) **Maintain power tools. Check for misalignment or binding of moving parts, breakage of parts and any other condition that may affect the power tool's operation. If damaged, have the power tool repaired before use.** Many accidents are caused by poorly maintained power tools.
- f) **Keep cutting tools sharp and clean.** Properly maintained cutting tools with sharp cutting edges are less likely to bind and are easier to control.
- g) **Use the power tool, accessories and tool bits etc. in accordance with these instructions, taking into account the working conditions and the work to be performed.** Use of the power tool for operations different from those intended could result in a hazardous situation.
- h) **Keep handles and grasping surfaces dry, clean and free from oil and grease.** Slippery handles and grasping surfaces do not allow for safe handling and control of the tool in unexpected situations.
- 5) Service**
- a) **Have your power tool serviced by a qualified repair person using only identical replacement parts.** This will ensure that the safety of the power tool is maintained.

## ADDITIONAL SAFETY WARNINGS FOR WEED BURNER



**Before using the appliance check the following:**

- *Make sure the rated voltage of the weed burner corresponds with your local mains voltage.*
- *Make sure the mains lead and the mains plug are in a good state: strong, without ravel or damages.*
- Prevent damage to the heating element. Do not lock or block the flow of air from mouth piece.
- Do not leave the appliance unattended when switched on.
- Do not use the appliance for drying hair.
- Do not direct the flow of hot air at persons or animals.
- Do not use the appliance above water or in spaces where easy inflammable liquids are used.
- The appliance is suitable for outdoor use only.
- Ensure the appliance is properly positioned.
- Unplug the appliance before removal from the fire.

- Allow the appliance to cool down before storage.
- Do not allow the hot parts of the appliance to touch the mains lead or other flammable material.



Do not use the appliance during rain or under moist circumstances.



**The metal mouth piece gets hot during use.**

Be careful and do not touch the metal mouthpiece while the appliance is in use. Be aware that the mouth piece will remain hot for some time even after the appliance has been switched off.



**This appliance operates at a temperature of 600°C without visible signs of this temperature (there are no visible flames).**

Be aware of the risk of fire or burns and watch out for the hot air stream from the mouth piece! This air stream can cause burns or start fires if the appliance is not handled properly.



**Always keep a safe distance from evergreens, pine needles and all conifers.**

Pine needles pose a fire hazard as they are highly flammable and easily ignited by the hot air stream from the weed burner.

**When operating the appliance**

- Check if the power switch is in the off-position marked '0' before connecting the appliance to the mains voltage.
- Always keep the mains lead away from the mouthpiece of the weed burner.
- Keep children and animals away from the appliance while it is in use, or while it has not yet fully cooled down from previous use.

**Immediately switch off the appliance when:**

- The plug and/or cable are defective or damaged.
- The switch is defective.
- You notice a smell or see smoke caused by scorched insulation from the the appliance.

**Electrical safety**

When using electric machines always observe the safety regulations applicable in your location to reduce the risk of fire, electric shock and personal injury. Read the following safety instructions and also any other enclosed safety instructions.



**Check the rating plate on the appliance.**

Ensure that the power supply corresponds to the rated voltage and frequency of the appliance.



**Class II appliance.** The appliance is double insulated, you do not need to use any earthed plugs.



If the supply cord is damaged, it must be replaced by the manufacturer, its service agent or similarly qualified persons in order to avoid a hazard.

**2. MACHINE INFORMATION**

**Intended use**

This weed burner is intended for eliminating unwanted weeds on hard, non-flammable surfaces such as patios, driveways and paths by means of hot air.

Using the included secondary nozzle attachment this appliance may also be used as a barbecue/ charcoal lighter.

**TECHNICAL SPECIFICATIONS**

<b>Model No.</b>	<b>WB503AC</b>
Voltage	230 V~
Frequency	50 Hz
Power input	2000 W
Weight	1.2 kg
<b>Switch position I</b>	
Air flow	500 l/min
Air temperature	50 °C
<b>Switch position II</b>	
Air flow	500 l/min
Air temperature	600 °C

## DESCRIPTION

The numbers in the text refer to the diagram on page 2-4.

### Fig. A

1. Weed burner nozzle
2. Barbecue lighter nozzle
3. Weed burner
4. Hot air outlet
5. Folding stand
6. Telescopic handle
7. Cable retainer

## 3. OPERATION

### Intended use:

- Eliminating weeds from hard, non-flammable surfaces such as patios, driveways and paths.
- Lighting a barbecue or fire pit.

### Assembly (Fig. B, C1, C2)

- Insert the telescopic handle (6) into the main body. Observe the arrows for the correct orientation of the handle (fig. B).
- The length of the telescopic handle may be adjusted.
- Rotate the handle counter-clockwise to release it and adjust the telescopic handle to the desired length (fig. C1).
- Fixate the handle position by rotating the handle clockwise (fig. C2).
- Loop the mains lead through the cable retainer (7) on the handle.

### Operation - Eliminating weeds (Fig. E1, F)

- Check if the mains switch is in position "0" before connecting the appliance to the power outlet.
- Install the weed burning nozzle (1) and check to ensure the nozzle is not blocked before switching the appliance on (fig. E1).

Ensure the mouth piece of the weed burner has cooled down before changing the nozzle. The metal nozzle and mouth piece will remain hot for some time even after the machine has been switched off.

- Keep the mains lead always away from the hot air stream and the mouth piece.
- Put the mains switch in the high-temperature position 'II' to start the appliance.

- Allow the appliance about 45 seconds to reach operating temperature.
- To eliminate weeds, hold the weed burner nozzle over the weed and slowly rotate around the weed for about 5 seconds (fig. F).
- The cell structure of the weed will be destroyed during these 5 seconds.
- After heating, the weed will die and it may be left to naturally degrade over the next days.

It is unnecessary to completely burn the weeds to a crisp. Trying to do so anyway will take notably longer than the recommended 5 seconds of heating. Extended heating may leave visible scorch marks on pavement and will needlessly slow the progress of your work.

Do not use this appliance on dry grass or other flammable surfaces. Do not use during periods of drought, or in otherwise adverse weather conditions.

### Operation - Barbecue / charcoal lighting (Fig. E2, G)

- Check if the mains switch is in position "0" before connecting the appliance to the power outlet.
- Install the barbecue lighter nozzle (2) and check to ensure the nozzle is not blocked before switching the appliance on (fig. E2).

Ensure the mouth piece of the weed burner has cooled down before changing the nozzle. The metal nozzle and mouth piece will remain hot for some time even after the machine has been switched off.

- Keep the mains lead always away from the hot air stream and the mouth piece.
- Place the nozzle underneath the coal or wood that is to be lit. Make sure that the appliance is firmly positioned (fig. G).
- Put the mains switch in the high-temperature position 'II' to start the appliance.
- Allow the appliance about 45 seconds to reach operating temperature.
- Observe the operation and do not leave the appliance unattended.
- Remove the appliance from underneath the coals or wood once the coals or wood start to glow.
- Keep blowing hot air into the glowing coal or wood from a distance of 5-10cm until it is burning properly.



**After use**

- Put the mains switch in the low-temperature position 'I' to cool down the appliance.
- Allow the appliance to run in this mode for at least 1 minute.
- Put the mains switch in position 'O' to switch off the appliance.
- Be aware that the appliance has not yet fully cooled down at this point.

Allow the appliance sufficient time to cool down after use. The appliance will remain hot for some time after the machine has been fully switched off. Ensure the appliance has completely cooled down before storing it.

**4. MAINTENANCE**

Always disconnect the appliance from mains power and make sure it has cooled down completely before carrying out any inspection or cleaning. .

- Never use water or other liquids to clean the electrical parts of the weed burner.
- Never use easy inflammable liquids for cleaning the weed burner, especially for the mouthpiece.
- The exterior of the weed burner may be cleaned with a damp cloth.
- Regular maintenance of your weed burner prevents unnecessary problems. Keep the ventilation slots of the appliance clean and clear of debris to prevent overheating.

**Troubleshooting**

In case your weed burner does not function correctly, please see below for some of the possible causes and their respective solutions:

- The motor is overheating.
- The ventilation slots of the weed burner are clogged up.



*Unplug the appliance from mains power and clear the ventilation slots of dirt and debris.*

- The weed burner does not start when it is switched on.
- Interruption in the electrical circuit.



*Check the mains lead and the mains plug.*

- The switch is defective.



*Unplug the appliance from mains power, because there is a possible fire hazard.*



*Have the weed burner serviced by your local dealer.*

- The motor does not work, but the weed burner does heat up.
- Interruption in the electrical circuit.



*Immediately switch off the appliance and unplug it from mains power. because there is a fire hazard!*



*Have the weed burner serviced by your local dealer.*

**ENVIRONMENT**

*Faulty and/or discarded electrical or electronic apparatus have to be collected at the appropriate recycling locations.*

**Only for EC countries**

Do not dispose of power tools into domestic waste. According to the European Guideline 2012/19/EU for Waste Electrical and Electronic Equipment and its implementation into national right, power tools that are no longer usable must be collected separately and disposed of in an environmentally friendly way.

**WARRANTY**

VONROC products are developed to the highest quality standards and are guaranteed free of defects in both materials and workmanship for the period lawfully stipulated starting from the date of original purchase. Should the product develop any failure during this period due to defective material and/or workmanship then contact VONROC directly.

The following circumstances are excluded from this guarantee:

- Repairs and/or alterations have been made or attempted to the machine by unauthorized service centers;
- Normal wear and tear;
- The tool has been abused, misused or improperly maintained;
- Non-original spare parts have been used.

This constitutes the sole warranty made by company either expressed or implied. There are no other warranties expressed or implied which extend beyond the face hereof, herein, including the implied warranties of merchantability and fitness for a particular purpose. In no event shall VONROC be liable for any incidental or consequential damages. The dealers remedies shall be limited to repair or replacement of nonconforming units or parts.

**The product and the user manual are subject to change. Specifications can be changed without further notice**

## 1. SICHERHEITSANWEISUNGEN

Lesen Sie die beiliegenden Sicherheitsanweisungen, die zusätzlichen Sicherheitsanweisungen sowie diese Bedienungsanleitung sorgfältig durch. Bei Nichtbeachten der Sicherheitsanweisungen und der Bedienungsanleitung kann es zu einem Stromschlag, einem Brand und/oder schweren Verletzungen kommen. Bewahren Sie die Sicherheitsanweisungen und die Bedienungsanleitung zur künftigen Bezugnahme sicher auf.

Folgende Symbole werden im Benutzerhandbuch oder auf dem Produkt verwendet:



*Benutzerhandbuch/Bedienungsanleitung lesen.*



*Bedeutet, dass bei Nichtbeachtung der Anweisungen in dieser Anleitung Verletzungen, Tod oder Beschädigung des Werkzeugs die Folge sein können.*



*Bedeutet, dass die Gefahr eines Stromschlags besteht.*



*Nicht Regen aussetzen.*



*Brandgefahr.*



*Ziehen Sie sofort den Stecker aus der Steckdose, falls das Kabel beschädigt oder durchgeschnitten wurde.*



*Vorsicht! Heiße Oberfläche. Verbrennungsgefahr durch heiße Oberflächen. Nicht berühren!*



*Werkzeug/Gerat der Schutzklasse II - Schutzisoliert - kein Schutzkontaktanschluss erforderlich.*

## ALLGEMEINE SICHERHEITSHINWEISE



**WARNUNG! Lesen Sie alle Sicherheitshinweise, Anweisungen, Bebilderungen und technischen Daten, mit denen dieses Elektrowerkzeug versehen ist.** Versäumnisse bei der Einhaltung der nachfolgenden Anweisungen können elektrischen Schlag, Brand und/oder schwere Verletzungen verursachen.

### **Bewahren Sie alle Sicherheitshinweise und Anweisungen für die Zukunft auf**

Der in den Sicherheitshinweisen verwendete Begriff „Elektrowerkzeug“ bezieht sich auf netzbetriebene Elektrowerkzeuge (mit Netzleitung) oder auf akkubetriebene Elektrowerkzeuge (ohne Netzleitung).

#### **1) Arbeitsplatzsicherheit**

- a) **Halten Sie Ihren Arbeitsbereich sauber und gut beleuchtet.** *Unordnung oder unbeleuchtete Arbeitsbereiche können zu Unfällen führen.*
- b) **Arbeiten Sie mit dem Elektrowerkzeug nicht in explosionsgefährdeter Umgebung, in der sich brennbare Flüssigkeiten, Gase oder Stäube befinden.** *Elektrowerkzeuge erzeugen Funken, die den Staub oder die Dämpfe entzünden können.*
- c) **Halten Sie Kinder und andere Personen während der Benutzung des Elektrowerkzeugs fern.** *Bei Ablenkung können Sie die Kontrolle über das Elektrowerkzeug verlieren.*
- d) **Dieses Gerät kann von Kindern ab 8 Jahren und darüber sowie von Personen mit verringerten physischen, sensorischen oder mentalen Fähigkeiten oder Mangel an Erfahrung und Wissen benutzt werden, wenn sie beaufsichtigt oder bezüglich des sicheren Gebrauchs des Gerätes unterwiesen wurden und die daraus resultierenden Gefahren verstehen.** *Kinder dürfen nicht mit dem Gerät spielen. Reinigung und Benutzerwartung dürfen nicht von Kindern ohne Beaufsichtigung durchgeführt werden.*

#### **2) Elektrische Sicherheit**

- a) **Der Anschlussstecker des Elektrowerkzeugs muss in die Steckdose passen. Der Stecker darf in keiner Weise verändert werden. Verwenden Sie keine Adapterstecker gemeinsam mit schutzgeerdeten Elektrowerkzeugen.** *Unveränderte Stecker und passende Steckdosen verringern das Risiko eines elektrischen Schlags.*
- b) **Vermeiden Sie Körperkontakt mit geerdeten Oberflächen wie von Rohren, Heizungen, Herden und Kühlschränken.** *Es besteht ein erhöhtes Risiko durch elektrischen Schlag, wenn Ihr Körper geerdet ist.*
- c) **Halten Sie Elektrowerkzeuge von Regen oder Nässe fern.** *Das Eindringen von Wasser in ein Elektrowerkzeug erhöht das Risiko eines elektrischen Schlages.*

- d) **Zweckentfremden Sie die Anschlussleitung nicht, um das Elektrowerkzeug zu tragen, aufzuhängen oder um den Stecker aus der Steckdose zu ziehen. Halten Sie die Anschlussleitung fern von Hitze, Öl, scharfen Kanten oder sich bewegenden Teilen.** *Beschädigte oder verwickelte Anschlussleitungen erhöhen das Risiko eines elektrischen Schlages.*
- e) **Wenn Sie mit einem Elektrowerkzeug im Freien arbeiten, verwenden Sie nur Verlängerungsleitungen, die auch für den Außenbereich geeignet sind.** *Die Anwendung einer für den Außenbereich geeigneten Verlängerungsleitung verringert das Risiko eines elektrischen Schlages.*
- f) **Wenn der Betrieb des Elektrowerkzeugs in feuchter Umgebung nicht vermeidbar ist, verwenden Sie einen Fehlerstromschutzschalter.** *Der Einsatz eines Fehlerstromschutzschalters vermindert das Risiko eines elektrischen Schlages.*

#### **3) Sicherheit von Personen**

- a) **Seien Sie aufmerksam, achten Sie darauf, was Sie tun, und gehen Sie mit Vernunft an die Arbeit mit einem Elektrowerkzeug. Benutzen Sie kein Elektrowerkzeug, wenn Sie müde sind oder unter dem Einfluss von Drogen, Alkohol oder Medikamenten stehen.** *Ein Moment der Unachtsamkeit beim Gebrauch des Elektrowerkzeugs kann zu ernsthaften Verletzungen führen.*
- b) **Tragen Sie persönliche Schutzausrüstung und immer eine Schutzbrille.** *Das Tragen persönlicher Schutzausrüstung, wie Staubmaske, rutschfeste Sicherheitsschuhe, Schutzhelm oder Gehörschutz, je nach Art und Einsatz des Elektrowerkzeugs, verringert das Risiko von Verletzungen.*
- c) **Vermeiden Sie eine unbeabsichtigte Inbetriebnahme. Vergewissern Sie sich, dass das Elektrowerkzeug ausgeschaltet ist, bevor Sie es an die Stromversorgung und/oder den Akku anschließen, es aufnehmen oder tragen.** *Wenn Sie beim Tragen des Elektrowerkzeugs den Finger am Schalter haben oder das Elektrowerkzeug eingeschaltet an die Stromversorgung anschließen, kann dies zu Unfällen führen.*
- d) **Entfernen Sie Einstellwerkzeuge oder Schraubenschlüssel, bevor Sie das Elektrowerkzeug einschalten. Ein Werkzeug oder Schlüssel, der sich in einem drehenden Teil des Elektrowerkzeugs befindet, kann zu Verletzungen führen.**

- e) **Vermeiden Sie eine abnormale Körperhaltung. Sorgen Sie für einen sicheren Stand und halten Sie jederzeit das Gleichgewicht.** Dadurch können Sie das Elektrowerkzeug in unerwarteten Situationen besser kontrollieren.
- f) **Tragen Sie geeignete Kleidung. Tragen Sie keine weite Kleidung oder Schmuck. Halten Sie Haare und Kleidung fern von sich bewegenden Teilen.** Lockere Kleidung, Schmuck oder lange Haare können von sich bewegenden Teilen erfasst werden.
- g) **Wenn Staubabsaug- und -auffangeinrichtungen montiert werden können, sind diese anzuschließen und richtig zu verwenden.** Verwendung einer Staubabsaugung kann Gefährdungen durch Staub verringern.
- h) **Wiegen Sie sich nicht in falscher Sicherheit und setzen Sie sich nicht über die Sicherheitsregeln für Elektrowerkzeuge hinweg, auch wenn Sie nach vielfachem Gebrauch mit dem Elektrowerkzeug vertraut sind.** Achtloses Handeln kann binnen Sekundenbruchteilen zu schweren Verletzungen führen.
- 4) Verwendung und Behandlung des Elektrowerkzeugs**
- a) **Überlasten Sie das Elektrowerkzeug nicht. Verwenden Sie für Ihre Arbeit das dafür bestimmte Elektrowerkzeug.** Mit dem passenden Elektrowerkzeug arbeiten Sie besser und sicherer im angegebenen Leistungsbereich.
- b) **Benutzen Sie kein Elektrowerkzeug, dessen Schalter defekt ist.** Ein Elektrowerkzeug, das sich nicht mehr ein- oder ausschalten lässt, ist gefährlich und muss repariert werden.
- c) **Ziehen Sie den Stecker aus der Steckdose und/oder entfernen Sie einen abnehmbaren Akku, bevor Sie Geräteeinstellungen vornehmen, Einsatzwerkzeugteile wechseln oder das Elektrowerkzeug weglegen.** Diese Vorsichtsmaßnahme verhindert den unbeabsichtigten Start des Elektrowerkzeugs.
- d) **Bewahren Sie unbenutzte Elektrowerkzeuge außerhalb der Reichweite von Kindern auf. Lassen Sie keine Personen das Elektrowerkzeug benutzen, die mit diesem nicht vertraut sind oder diese Anweisungen nicht gelesen haben.** Elektrowerkzeuge sind gefährlich, wenn sie von unerfahrenen Personen benutzt werden.
- e) **Pflegen Sie Elektrowerkzeuge und Einsatzwerkzeug mit Sorgfalt. Kontrollieren Sie, ob bewegliche Teile einwandfrei funktionieren und nicht klemmen, ob Teile gebrochen oder so beschädigt sind, dass die Funktion des Elektrowerkzeugs beeinträchtigt ist. Lassen Sie beschädigte Teile vor dem Einsatz des Elektrowerkzeugs reparieren.** Viele Unfälle haben ihre Ursache in schlecht gewarteten Elektrowerkzeugen.
- f) **Halten Sie Schneidwerkzeuge scharf und sauber.** Sorgfältig gepflegte Schneidwerkzeuge mit scharfen Schneidkanten verklemmen sich weniger und sind leichter zu führen.
- g) **Verwenden Sie Elektrowerkzeug, Zubehör, Einsatzwerkzeuge usw. entsprechend diesen Anweisungen. Berücksichtigen Sie dabei die Arbeitsbedingungen und die auszuführende Tätigkeit.** Der Gebrauch von Elektrowerkzeugen für andere als die vorgesehenen Anwendungen kann zu gefährlichen Situationen führen.
- h) **Halten Sie Griffe und Griffflächen trocken, sauber und frei von Öl und Fett.** Rutschige Griffe und Griffflächen erlauben keine sichere Bedienung und Kontrolle des Elektrowerkzeugs in unvorhergesehenen Situationen.
- 5) Service**
- a) **Lassen Sie Ihr Elektrowerkzeug nur von qualifiziertem Fachpersonal und nur mit Original-Ersatzteilen reparieren.** Damit wird sichergestellt, dass die Sicherheit des Elektrowerkzeugs erhalten bleibt.

## ZUSÄTZLICHE SICHERHEITSHINWEISE FÜR UNKRAUTBRENNER



### Überprüfen Sie vor Gebrauch des Geräts Folgendes:

- Stellen Sie sicher, dass die Nennspannung des Unkrautbrenners mit der lokalen Netzspannung übereinstimmt.
- Stellen Sie sicher, dass das Stromkabel und dessen Stecker in einem ordnungsgemäßen Zustand sind: robust, ohne Knoten im Kabel und ohne Beschädigungen.
- Schäden am Heizelement vermeiden. Nicht den Luftstrom aus dem Mundstück verschließen oder blockieren.
- Gerät nicht unbeaufsichtigt lassen, wenn es eingeschaltet ist.

- Gerät nicht zum Trocknen von Haaren verwenden.
- Heißluftstrom nicht auf Personen oder Tiere richten.
- Gerät nicht über Wasser oder in Räumen benutzen, in denen leicht entzündliche Flüssigkeiten verwendet werden.
- Das Gerät ist ausschließlich für den Gebrauch im Freien geeignet.
- Stellen Sie sicher, dass das Gerät richtig aufgestellt ist.
- Ziehen Sie den Netzstecker, bevor Sie das Gerät aus dem Feuer nehmen.
- Lassen Sie das Gerät vor der Aufbewahrung immer abkühlen.
- Lassen Sie die heißen Teile des Geräts nicht mit dem Netzkabel oder anderen brennbaren Materialien in Berührung kommen



*Gerät nicht bei Regen oder unter feuchten Bedingungen verwenden.*



**Das Metallmundstück wird beim Gebrauch heiß.** Stets mit Vorsicht vorgehen und das Metallmundstück nicht berühren, während das Gerät in Gebrauch ist. Beachten Sie, dass das Mundstück auch nach dem Ausschalten des Geräts noch einige Zeit heiß bleibt.



**Dieses Gerät arbeitet mit einer Temperatur von 600 °C, ohne dass diese Temperatur sichtbar ist (keine sichtbaren Flammen).**

Beachten Sie die Brand- und Verbrennungsgefahr und achten Sie auf den heißen Luftstrom aus dem Mundstück! Dieser Luftstrom kann bei unsachgemäßer Handhabung des Geräts Verbrennungen verursachen oder Brände auslösen.



**Halten Sie immer einen Sicherheitsabstand zu immergrünen Bäumen, Tannennadeln und allen Nadelbaumarten.** Tannennadeln stellen eine Brandgefahr dar, da sie leicht entflammbar sind und sich durch den heißen Luftstrom des Unkrautbrenners schnell entzünden.

#### Während des Betriebs des Geräts

- Prüfen Sie, ob der Netzschalter in der mit "0" gekennzeichneten ausgeschalteten Position

- steht, bevor Sie das Gerät an die Stromversorgung anschließen.
- Halten Sie das Netzkabel immer vom Mundstück des Unkrautbrenners fern.
- Halten Sie Kinder und Tiere von dem Gerät fern, wenn es in Betrieb ist oder wenn es noch nicht vollständig abgekühlt ist.

#### Schalten Sie das Gerät in folgenden Fällen sofort aus:

- Der Stecker und/oder das Kabel sind defekt oder beschädigt.
- Der Schalter ist defekt.
- Sie bemerken einen Geruch oder sehen Rauch, der durch verbrannte Isolierung des Geräts verursacht wird.

#### Sicherheit bei Elektrizität

Beachten Sie bei der Arbeit mit elektrischen Werkzeugen/Geräten stets die in Ihrem Land geltenden Sicherheitsvorschriften, um Personenschäden, Stromschläge und Brände zu vermeiden. Lesen Sie die folgenden Sicherheitshinweise sowie die beiliegenden Sicherheitshinweise sorgfältig durch.



#### Beachten Sie das Typenschild des Geräts.

Achten Sie darauf, dass die Stromversorgung der Nennspannung und -frequenz des Geräts entspricht.



**Gerät der Klasse II.** Das Gerät ist doppelt isoliert, daher müssen keine geerdeten Stecker verwendet werden.



Wenn das Netzkabel beschädigt ist, muss es vom Hersteller, seinem Kundendienst oder einer ähnlich qualifizierten Person ausgetauscht werden, um eine Gefährdung zu vermeiden.

## 2. ANGABEN ZUM WERKZEUG

#### Verwendungszweck

Dieser Unkrautbrenner ist für die Beseitigung von unerwünschtem Unkraut auf harten, nicht brennbaren Oberflächen wie Terrassen, Einfahrten und Wegen mittels Heißluft bestimmt. Mit dem mitgelieferten zweiten Düsenaufsatz kann dieses Gerät auch als Grill-/Kohleanzünder genutzt werden.

**TECHNISCHE DATEN**

<b>Modellnummer</b>	<b>WB503AC</b>
Spannung	230 V~
Frequenz	50 Hz
Leistungsaufnahme	2000W
Gewicht	1.2kg
<b>Schalterposition I</b>	
Luftstrom	500 l/min
Lufttemperatur	50°C
<b>Schalterposition II</b>	
Luftstrom	500 l/min
Lufttemperatur	600°C

**BESCHREIBUNG**

Die Ziffern im nachstehenden Text verweisen auf die Abbildungen auf Seite 2-4.

**Abb. A**

1. Unkrautbrennerdüse
2. Grillanzünderdüse
3. Unkrautbrenner
4. Heißluftauslass
5. Faltbarer Ständer
6. Teleskopstiel
7. Kabelhalter

**3. MONTAGE****Verwendungszweck**

- Beseitigung von Unkraut auf harten, nicht entflammbaren Oberflächen wie Terrassen, Einfahrten und Wegen.
- Anzünden von Grills oder Feuerstellen.

**Montage (Abb. B, C1, C2)**

- Stecken Sie den Teleskopstiel (6) in das Hauptgehäuse. Beachten Sie die Pfeile für die richtige Ausrichtung des Stiels (Abb. B).
- Die Länge des Teleskopstiels ist verstellbar.
- Drehen Sie den Teleskopstiel gegen den Uhrzeigersinn, um ihn zu lösen und auf die gewünschte Länge einzustellen (Abb. C1).
- Fixieren Sie die Stielposition durch Drehen des Stiels im Uhrzeigersinn (Abb. C2).

- Führen Sie das Netzkabel durch den Kabelhalter (7) am Griff.

**Betrieb - Beseitigung von Unkraut (Abb. E1, F)**

- Prüfen Sie, ob der Netzschalter in der mit "0" gekennzeichneten Position steht, bevor Sie das Gerät an die Steckdose anschließen.
- Setzen Sie die Unkrautbrennerdüse (1) ein und vergewissern Sie sich vor dem Einschalten des Geräts, dass die Düse nicht verstopft ist (Abb. E1).

Stellen Sie sicher, dass das Mundstück des Unkrautbrenners abgekühlt ist, bevor Sie die Düse austauschen. Metalldüse und Mundstück bleiben auch nach dem Ausschalten des Geräts noch einige Zeit heiß.

- Halten Sie das Netzkabel immer vom heißen Luftstrom und dem Mundstück fern.
- Stellen Sie den Netzschalter auf die Hochtemperaturposition 'II', um das Gerät zu starten.
- Lassen Sie das Gerät etwa 45 Sekunden laufen, um auf Betriebstemperatur zu kommen.
- Zum Beseitigen von Unkraut halten Sie die Düse des Unkrautbrenners über das Unkraut und schwenken sie langsam etwa 5 Sekunden lang um das Unkraut herum (Abb. F).
- Die Zellstruktur des Unkrauts wird in diesen 5 Sekunden zerstört.
- Nach dem Erhitzen stirbt das Unkraut ab und zersetzt sich in den nächsten Tagen auf natürliche Weise.

Es ist nicht notwendig, das Unkraut vollständig zu verbrennen. Der Versuch, dies trotzdem zu tun, dauert deutlich länger als die empfohlene Erhitzungsdauer von 5 Sekunden. Eine längere Erhitzung kann zudem sichtbare Brandspuren auf dem Bodenbelag hinterlassen und den Arbeitsfortschritt unnötig verlangsamen.

Verwenden Sie das Gerät keinesfalls auf trockenem Gras oder anderen brennbaren Oberflächen. Verwenden Sie es nicht in Dürreperioden oder bei ungünstigen Wetterbedingungen.

**Betrieb - Anzünden von Grill / Holzkohle (Abb. E2, G)**

- Prüfen Sie, ob der Netzschalter in der mit "0" gekennzeichneten Position steht, bevor Sie das Gerät an die Steckdose anschließen.

- Setzen Sie die Grillanzünderdüse (2) ein und vergewissern Sie sich vor dem Einschalten des Geräts, dass die Düse nicht verstopft ist (Abb. E2).

Stellen Sie sicher, dass das Mundstück des Unkrautbrenners abgekühlt ist, bevor Sie die Düse austauschen. Metalldüse und Mundstück bleiben auch nach dem Ausschalten des Geräts noch einige Zeit heiß.

- Halten Sie das Netzkabel immer vom heißen Luftstrom und dem Mundstück fern.
- Halten Sie die Düse unter die zu entzündende Kohle oder das Holz. Vergewissern Sie sich, dass das Gerät fest positioniert ist (Abb. G).
- Stellen Sie den Netzschalter auf die Hochtemperaturposition 'II', um das Gerät zu starten.
- Lassen Sie das Gerät etwa 45 Sekunden laufen, um auf Betriebstemperatur zu kommen.
- Lassen Sie das Gerät während des gesamten Betriebs nicht unbeaufsichtigt.
- Entfernen Sie das Gerät aus den Kohlen oder dem Holz, sobald die Kohlen oder das Holz anfangen zu glühen.
- Blasen Sie aus einem Abstand von 5-10 cm immer wieder heiße Luft in die glühende Kohle oder das Holz, bis sie oder es richtig brennt.

#### Nach der Verwendung

- Stellen Sie den Netzschalter in die Niedrigtemperaturstellung 'I', um das Gerät abzukühlen.
- Lassen Sie das Gerät mindestens 1 Minuten in diesem Modus laufen.
- Stellen Sie den Netzschalter auf Position '0', um das Gerät auszuschalten.
- Beachten Sie, dass das Gerät zu diesem Zeitpunkt noch nicht vollständig abgekühlt ist.

Lassen Sie das Gerät nach Gebrauch ausreichend lange abkühlen. Das Gerät bleibt nach dem vollständigen Ausschalten noch einige Zeit heiß. Stellen Sie sicher, dass das Gerät vollständig abgekühlt ist, bevor Sie es aufbewahren.

## 4. WARTUNG

Trennen Sie das Gerät immer vom Stromnetz und vergewissern Sie sich, dass es vollständig abgekühlt ist, bevor Sie Inspektions- oder Reinigungsarbeiten durchführen.

- Verwenden Sie niemals Wasser oder andere Flüssigkeiten, um die elektrischen Teile des Unkrautbrenners zu reinigen.
- Verwenden Sie zum Reinigen des Unkrautbrenners niemals leicht entzündliche Flüssigkeiten, insbesondere nicht für das Mundstück.
- Das Äußere des Unkrautbrenners kann mit einem feuchten Tuch gereinigt werden.
- Regelmäßige Wartung und Pflege des Unkrautbrenners verhindert unnötige Probleme. Halten Sie die Lüftungsschlitze des Geräts sauber und frei von Verschmutzungen, um eine Überhitzung zu verhindern.

#### Fehlerbehebung

Sollte Ihr Unkrautbrenner nicht richtig funktionieren, finden Sie nachfolgend einige mögliche Ursachen und entsprechende Lösungen:

- Der Motor ist überhitzt.
- Die Lüftungsschlitze des Unkrautbrenners sind verstopft.



*Ziehen Sie den Netzstecker des Geräts und befreien Sie die Lüftungsschlitze von Schmutz und Verschmutzungen*

- Der Unkrautbrenner startet nicht, wenn er eingeschaltet wird.
- Unterbrechung im Stromkreis.



*Überprüfen Sie Netzkabel und Netzstecker.*

- Der Schalter ist defekt.



*Trennen Sie das Gerät vom Stromnetz, denn es besteht Brandgefahr!*



*Lassen Sie den Unkrautbrenner von Ihrem Händler vor Ort warten.*

- Der Motor funktioniert nicht, aber der Unkrautbrenner erhitzt sich.
- Unterbrechung im Stromkreis.



*Schalten Sie das Gerät sofort aus und ziehen Sie den Netzstecker, denn es besteht Brandgefahr!*



*Lassen Sie den Unkrautbrenner von Ihrem Händler vor Ort warten.*



## UMWELTSCHUTZ



*Schadhafte und/oder zu entsorgende elektrische oder elektronische Werkzeuge und Geräte müssen an den dafür vorgesehenen Recycling-Stellen abgegeben werden.*

### Nur für EG-Länder

Entsorgen Sie Elektrowerkzeuge nicht über den Hausmüll. Entsprechend der EU-Richtlinie 2012/19/EG über Elektro- und Elektronik-Altgeräte sowie der Umsetzung in nationales Recht müssen Elektrowerkzeuge, die nicht mehr im Gebrauch sind, getrennt gesammelt und umweltschonend entsorgt werden.

## GARANTIE

VONROC-Produkte werden nach den höchsten Qualitätsstandards entwickelt und sind für den gesetzlich festgelegten Zeitraum, ausgehend von dem ursprünglichen Kaufdatum, garantiert frei von Fehlern in Material und Ausführung. Sollte das Produkt in diesem Zeitraum aufgrund von Material- und/oder Verarbeitungsmängeln Fehler aufweisen, wenden Sie sich bitte direkt an VONROC Kundendienst.

Folgende Umstände sind von der Garantie ausgeschlossen:

- Reparaturen und oder Änderungen an der Maschine, die durch nicht-autorisierte Servicestellen vorgenommen oder versucht wurden.
- Normale Abnutzung und Verschleiß.
- Das Werkzeug wurde übermäßig beansprucht, missbräuchlich verwendet oder falsch gewartet.
- Es wurden keine Original-Ersatzteile verwendet.

Dies stellt die einzige Gewährleistung des Unternehmens dar, sowohl ausdrücklich als auch implizit. Es gibt keine anderen ausdrücklichen oder stillschweigenden Garantien, die über das hier Genannte hinausgehen, einschließlich der stillschweigenden Garantien der Marktgängigkeit oder Eignung für einen bestimmten Zweck. In keinem Fall ist VONROC haftbar für Neben- oder Folgeschäden. Die Rechtsmittel des Händlers beschränken sich auf Reparatur oder Ersatz fehlerhafter Einheiten oder Teile.

**Am Produkt und am Benutzerhandbuch können Änderungen vorgenommen werden. Die technischen Daten können sich ohne Vorankündigung ändern.**

## 1. VEILIGHEIDSVOORSCHRIFTEN

Lees de bijgesloten veiligheidswaarschuwingen, de aanvullende veiligheidswaarschuwingen en de instructies. Het niet opvolgen van de veiligheidswaarschuwingen kan elektrische schokken, brand en/of ernstig letsel tot gevolg hebben. Bewaar de veiligheidswaarschuwingen en instructies als naslagwerk voor later.

De volgende symbolen worden gebruikt in de gebruikershandleiding of op het product:



*Lees de gebruikershandleiding.*



*Duidt op het risico van lichamelijk letsel, overlijden en/of beschadiging van het gereedschap, als de instructies in deze gebruiksaanwijzing niet in acht worden genomen.*



*Duidt op het gevaar van een elektrische schok.*



*Stel de machine niet bloot aan regen.*



*Brandgevaar.*



*De stekker direct uit het stopcontact nemen als de kabel werd beschadigd of doorgesneden.*



*Voorzichtig! Warm oppervlak. Gevaar voor brandwonden veroorzaakt door warme oppervlakken. Niet aanraken!*



*Klasse II apparaat - Dubbel geïsoleerd - Een geaarde stekker is niet noodzakelijk.*

## ALGEMENE VEILIGHEIDSVOORSCHRIFTEN

**WAARSCHUWING! Lees alle veiligheidswaarschuwingen en alle instructies. Het niet opvolgen van onderstaande instructies kan leiden tot een elektrische schok, brand en/of ernstig persoonlijk letsel.**

### Bewaar deze instructies

De term "elektrisch gereedschap" in onderstaande waarschuwingen heeft betrekking op zowel apparatuur met een vaste elektriciteitskabel als op apparatuur met een accu (draadloze apparatuur).



## 1) Werkgebied

- a) **Zorg voor een opgeruimde en goed verlichte werkomgeving.** *Rommelige en donkere werkomgevingen leiden tot ongelukken.*
- b) **Gebruik elektrisch gereedschap nooit in een omgeving waar explosiegevaar bestaat, zoals in de nabijheid van ontvlambare vloeistoffen, gassen, dampen of andere stoffen.** *Elektrische gereedschappen kunnen vonken veroorzaken, die deze stoffen tot ontbranding kunnen brengen.*
- c) **Wanneer u elektrisch gereedschap gebruikt, houd dan kinderen en omstanders op afstand.** *Wanneer u wordt afgeleid, kunt u de controle over het gereedschap verliezen.*
- d) **Dit apparaat mag worden gebruikt door kinderen vanaf 8 jaar en door personen met verminderde lichamelijke, zintuiglijke of geestelijke vermogens, of met een gebrek aan ervaring en kennis, mits zij onder toezicht staan of geïnstrueerd zijn betreffende het veilig gebruik van het apparaat en zich bewust zijn van de ermee verbonden risico's.** *Kinderen mogen niet met het apparaat spelen. Reiniging en gebruiker-sonderhoud mogen niet door kinderen zonder toezicht worden uitgevoerd.*

## 2) Elektrische veiligheid

- a) **Stekkers van elektrische gereedschappen moeten probleemloos passen op het stopcontact. Breng nooit wijzigingen aan in of aan de stekker. Gebruik geen adapters voor geaarde elektrische gereedschappen.** *Standaardstekkers en passende stopcontacten verkleinen de kans op een elektrische schok.*
- b) **Voorkom lichamen contact met geaarde oppervlakken van bijvoorbeeld pijpen, leidingen, radiatoren, fornuizen en koelkasten.** *Wanneer uw lichaam geaard is, wordt de kans op een elektrische schok groter.*
- c) **Stel elektrische gereedschappen nooit bloot aan regen of vocht.** *Wanneer er water binnendringt in een elektrisch gereedschap, wordt de kans op een elektrische schok groter.*
- d) **Gebruik het snoer niet om het elektrisch gereedschap te dragen, te verplaatsen of de stekker uit het stopcontact te trekken. Bescherm het snoer tegen olie, warmte, scherpe randen en bewegende delen.** *Beschadigde of vastzittende snoeren vergroten de kans op een elektrische schok.*

- e) **Wanneer u elektrische gereedschappen buiten gebruikt, gebruik dan een verlengkabel die geschikt is voor buitengebruik.** *Door een kabel te gebruiken die geschikt is voor buitengebruik, wordt de kans op een elektrische schok kleiner.*
- f) **Gebruik een aardlekbeveiliging (RCD) als niet te voorkomen is dat een power tool moet worden gebruikt in een vochtige omgeving.** *Gebruik van een RCD vermindert het risico van elektrische schokken.*

## 3) Persoonlijke veiligheid

- a) **Blijf altijd alert, kijk goed wat u doet en gebruik uw gezonde verstand wanneer u een elektrisch gereedschap gebruikt. Gebruik geen elektrische gereedschappen wanneer u moe bent, of drugs, alcohol of medicijnen hebt gebruikt.** *Eén moment van onachtzaamheid bij het gebruik van elektrische gereedschappen kan ernstige verwondingen tot gevolg hebben.*
- b) **Gebruik persoonlijke beschermingsmiddelen. Draag altijd een veiligheidsbril. Een gepast gebruik van veiligheidsvoorzieningen, zoals een stof masker, speciale werkschoenen met antislipzolen, een veiligheidshelm en gehoorbescherming verkleinen de kans op persoonlijk letsel.**
- c) **Voorkom dat het gereedschap per ongeluk wordt gestart. Zorg dat de schakelaar op de UITpositie staat, voordat u de stekker in het stopcontact steekt.** *Draag elektrisch gereedschap nooit met uw vinger op de schakelaar en steek ook nooit de stekker van ingeschakelde elektrische gereedschappen in het stopcontact: dit leidt tot ongelukken.*
- d) **Verwijder alle instel- en andere sleutels uit het elektrisch gereedschap voordat u hem inschakelt. Instel- en andere sleutels aan een ronddraaiend onderdeel van het elektrisch gereedschap kunnen tot verwondingen leiden.**
- e) **Zorg dat u nooit uw evenwicht kunt verliezen; houd altijd twee voeten stevig op de vloer.** *Hierdoor kunt u het elektrisch gereedschap in onverwachte situaties beter onder controle houden.*
- f) **Zorg dat u geschikte kleding draagt. Draag geen loshangende kleding of sieraden. Houd uw haar, kleding en handschoenen uit de buurt van bewegende delen.** *Loshangende kleding, sieraden en lang haar kunnen vast komen te zitten in bewegende delen.*

- g) **Wanneer er voorzieningen zijn voor de aansluiting van stofafzuiginstallaties, zorg dan dat ze op de juiste wijze worden aangesloten en gebruikt.** *Gebruik van deze voorzieningen vermindert de gevaren die door stof worden veroorzaakt.*
- h) **Denk niet dat doordat u gereedschap vaak gebruikt, u wel weet hoe het allemaal werkt en dat u de veiligheidsbeginselen voor het gebruik van het gereedschap wel kunt negeren.** *Een onbezonnen actie kan in een fractie van een seconde ernstig letsel tot gevolg hebben.*
- 4) Gebruik en onderhoud van elektrisch gereedschap**
- a) **Oefen geen overmatige kracht uit op elektrisch gereedschap. Gebruik het juiste gereedschap voor uw specifieke toepassing.** *Met het juiste elektrische gereedschap voert u de taak beter en veiliger uit wanneer dit op de snelheid gebeurt waarvoor het apparaat is ontworpen.*
- b) **Gebruik nooit elektrisch gereedschap waarvan de AAN/UITschakelaar niet werkt.** *Ieder elektrisch gereedschap dat niet kan worden in en uitgeschakeld met de schakelaar is gevaarlijk en moet worden gerepareerd.*
- c) **Trek de stekker uit het stopcontact voordat u wijzigingen aanbrengt aan elektrische gereedschappen, accessoires verwisselt of het elektrisch gereedschap opbergt.** *Wanneer u zich aan deze preventieve veiligheidsmaatregelen houdt, beperkt u het risico dat het gereedschap per ongeluk wordt gestart.*
- d) **Berg elektrisch gereedschap dat niet in gebruik is op buiten bereik van kinderen en laat personen die niet bekend zijn met het gereedschap of deze instructies het apparaat niet gebruiken.** *Elektrisch gereedschap is gevaarlijk in de handen van ongeoeffende gebruikers.*
- e) **Zorg voor een goed onderhoud van elektrisch gereedschap. Controleer of bewegende delen op de juiste wijze zijn vastgezet. Controleer ook of er geen onderdelen defect zijn of dat er andere omstandigheden zijn die van invloed kunnen zijn op de werking van het gereedschap. Laat het gereedschap bij beschadigingen repareren vóór gebruik.** *Veel ongelukken worden veroorzaakt door slecht onderhoud van het gereedschap.*
- f) **Zorg dat snij en zaagwerktuigen scherp en schoon blijven.** *Goed onderhouden snij en zaag-*

*werktuigen met scherpe randen zullen minder snel vastlopen en zijn eenvoudiger onder controle te houden.*

- g) **Gebruik alle elektrische gereedschappen, accessoires, bitjes etc., zoals aangegeven in deze instructies en op de wijze waarvoor het gereedschap is ontworpen. Houd daarbij rekening met de werkomstandigheden en de uit te voeren taak.** *Gebruik van elektrisch gereedschap voor handelingen die afwijken van de taken waarvoor het apparaat is ontworpen kunnen leiden tot gevaarlijke situaties.*
- h) **Houd handgrepen en greepoppervlakken droog, schoon en vrij van olie en vet.** *Gladde handgrepen en greepoppervlakken maken veilig werken en controle over het gereedschap in onverwachte situaties onmogelijk.*

## 5) Service

- a) **Laat uw gereedschap onderhouden door een gekwalificeerde onderhoudstechnicus die alleen gebruikmaakt van identieke vervangingsonderdelen.** *Dit zorgt ervoor dat de veiligheid van de power tool intact blijft.*

## ADDITIONELE VEILIGHEIDSWAARSCHUWINGEN VOOR DE ONKRUIDBRANDER



**Controleer het volgende voordat u het apparaat gaat gebruiken:**

- *Controleer of de nominale spanning van de onkruidbrander overeenkomt met de lokale nominale spanning in uw omgeving.*
- *Controleer of de voedingskabel en de netstekker in een goede status verkeren: stevig en zonder rafels of beschadigingen.*
- *Voorkom schade aan het verwarmingselement. De luchtstroom afkomstig uit het mondstuk niet blokkeren of afsluiten.*
- *Laat het apparaat nooit onbeheerd achter wanneer het is ingeschakeld.*
- *Gebruik het apparaat niet als haardroger.*
- *De warme luchtstroom nooit op mensen of dieren richten.*
- *Het apparaat niet boven het water gebruiken of in ruimtes waar licht ontvlambare vloeistoffen worden gebruikt.*

- Het gereedschap is uitsluitend bedoeld voor gebruik buitenshuis.
- Zorg ervoor dat het apparaat goed is gepositioneerd.
- Neem de stekker uit het stopcontact voordat het apparaat uit het vuur wordt genomen.
- Laat het apparaat afkoelen, voordat het wordt opgeborgen.
- Zorg ervoor dat warme delen van het apparaat niet in contact komen met de voedingskabel of ander ontvlambaar materiaal.



*Gebruik het apparaat niet tijdens de regen of in vochtige omstandigheden.*



**Het metalen mondstuk wordt heet tijdens het gebruik.** Wees voorzichtig en raak tijdens het gebruik het metalen mondstuk niet aan. Wees alert dat het metalen mondstuk ook nog een tijdje warm zal blijven, zelfs nadat het apparaat werd uitgeschakeld.



**Dit apparaat werkt op een temperatuur van 600 °C, zonder zichtbare tekenen van de temperatuur (er zijn geen vlammen zichtbaar).** Wees alert op het risico van brandwonden en blijf alert op de hete luchtstroom die uit het mondstuk komt! De luchtstroom kan brandwonden veroorzaken of branden initiëren als het apparaat niet op de juiste manier wordt gebruikt.



**Houd altijd een veilige afstand van groenblijvende planten en struiken, dennenbomen en alle coniferen.** Dennenbomen vertegenwoordigen een brandgevaar omdat zij licht ontvlambaar zijn en gemakkelijk ontbranden als gevolg van de hete luchtstroom van de onkruidbrander.

### Gebruik van het apparaat

- Voordat het apparaat aan de stroomvoorziening wordt aangesloten, moet worden gecontroleerd of de aan/uit-schakelaar in de uit-stand, met de markering '0' staat ingesteld.
- Te allen tijde de voedingskabel uit de buurt van het mondstuk van de onkruidbrander houden.
- Houd kinderen en dieren uit de buurt van het apparaat als het wordt gebruikt, of als het nog niet volledig is afgekoeld nadat het werd

gebruikt.

### Schakel het apparaat direct uit wanneer:

- De stekker en/of de kabel defect is of een beschadiging heeft.
- De aan/uit-schakelaar defect is.
- U een geur waarneemt of ziet dat rook ontstaat als gevolg van verschroeide isolatie van het apparaat.

### Elektrische veiligheid

Neem bij het gebruik van elektrische machines altijd de plaatselijk geldende veiligheidsvoorschriften in acht in verband met brandgevaar, gevaar voor elektrische schokken en lichamelijk letsel. Lees behalve onderstaande instructies ook de veiligheidsvoorschriften in het apart bijgevoegde veiligheidskatern door.



### Controleer het typeplaatje op het apparaat.

Zorg ervoor dat de voedingsspanning correspondeert met het nominale vermogen en de frequentie van het apparaat.



**Klasse II apparaat.** Het apparaat is dubbel geïsoleerd, u hoeft dus geen geaarde stekkers te gebruiken.



Als het netsnoer beschadigd is moet het worden vervangen door de fabrikant, diens servicemedewerkers of andere gekwalificeerde personen om risico's te voorkomen.

## 2. TECHNISCHE INFORMATIE

### Bedoeld gebruik

Deze onkruidbrander is bedoeld voor het verwijderen van ongewenst onkruid op harde, niet-ontvlambare oppervlakken, zoals patio's, opritten en paden door middel van hete lucht.

Als het meegeleverde opzetstuk bij dit apparaat wordt gebruikt, kan het ook worden gebruikt als een aansteker voor de barbecue/houtskool.

**TECHNISCHE SPECIFICATIES**

<b>Model Nr.</b>	<b>WB503AC</b>
Voltage	230 V~
Frequentie	50 Hz
Opgenomen vermogen	2000W
Gewicht	1.2kg
<b>Stand van de schakelaar I</b>	
Luchtstroom	500 l/min
Luchttemperatuur	50°C
<b>Stand van de schakelaar I</b>	
Luchtstroom	500 l/min
Luchttemperatuur	600°C

**BESCHRIJVING**

De nummers in de tekst verwijzen naar de illustraties op pagina 2-4.

**Afb. A**

1. Mondstuk voor het branden van onkruid
2. Mondstuk als aansteker voor de barbecue
3. Onkruidbrander
4. Uitgang hete lucht
5. Uitklapbare steun
6. Telescopische handgreep
7. Kabelhouder

**3. ASSEMBLAGE****Bedoeld gebruik**

- Het verwijderen van onkruid van harde, niet-ontvlambare oppervlakken, zoals patio's opritten en paden.
- Het aansteken van een barbecue of vuurkorf.

**Montage (Afb. B, C1, C2)**

- Steek de telescopische handgreep (6) in de behuizing. Volg de pijlen voor de juiste oriëntatie van de handgreep (Afb. B).
- De lengte van de telescopische handgreep kan worden aangepast.
- Draai de handgreep naar links om het vrij te geven en pas de telescopische handgreep aan de gewenste lengte aan (Afb. C1).
- Fixeer de ingestelde positie van de handgreep door de handgreep naar rechts te draaien (Afb. C2).

- Lus de voedingskabel door de kabelhouder (7) op de handgreep.

**Bediening - Verwijderen van onkruid (Afb. E1, F)**

- Voordat het apparaat aan de stroomvoorziening wordt aangesloten, moet worden gecontroleerd of de hoofdschakelaar in de stand '0' staat ingesteld.
- Plaats het mondstuk van de onkruidbrander (1) en controleer voordat het apparaat wordt ingeschakeld, of het mondstuk niet is geblokkeerd (Afb. E1).

Zorg ervoor dat het mondstuk van de onkruidbrander is afgekoeld voordat een ander mondstuk wordt aangebracht. Het metalen mondstuk zal nog een tijdje warm zal blijven, zelfs nadat het apparaat werd uitgeschakeld.

- Houd de voedingskabel te allen tijde uit de buurt van de warme/hete luchtstroom en het mondstuk.
- Stel de hoofdschakelaar in de stand 'II' voor een hoge temperatuur in, om het apparaat te starten.
- Geef het apparaat ongeveer 45 seconden de tijd om de gewenste temperatuur te bereiken.
- Om onkruid te verwijderen, dient de onkruidbrander boven het onkruid gehouden te worden en gedurende ca. 5 seconden rond het onkruid gedraaid te worden (Afb. F).
- De celstructuur van het onkruid zal gedurende deze 5 seconden vernietigd worden.
- Na het verhitten, zal het onkruid afsterven en het kan worden achtergelaten zodat het gedurende de volgende dagen op een natuurlijke manier zal worden afgebroken.

Het is niet nodig om het onkruid volledig te verbranden totdat het zwart en hard is. Als dat toch wordt geprobeerd, zal het aanzienlijk langer duren dan de aanbevolen 5 seconden voor het verhitten/verwarmen. Het langer verhitten/verwarmen kan mogelijk schroeiplekken op de bestrating achterlaten en zal de voortgang van uw werkzaamheden nodeloos vertragen.

Gebruik dit apparaat niet op droog gras of andere ontvlambare oppervlakken. Gebruik het niet tijdens periodes van droogte of in andere ongunstige weersomstandigheden.

### Bediening - Aansteken van de barbecue/houtskool (Afb. E2, G)

- Voordat het apparaat aan de stroomvoorziening wordt aangesloten, moet worden gecontroleerd of de hoofdschakelaar in de stand '0' staat ingesteld.
- Plaats het mondstuk van de aansteker van de barbecue (2) en controleer voordat het apparaat wordt ingeschakeld, of het mondstuk niet is geblokkeerd (Afb. E2).

Zorg ervoor dat het mondstuk van de onkruidbrander is afgekoeld voordat een ander mondstuk wordt aangebracht. Het metalen mondstuk zal nog een tijdje warm zal blijven, zelfs nadat het apparaat werd uitgeschakeld.

- Houd de voedingskabel te allen tijde uit de buurt van de warme/hete luchtstroom en het mondstuk.
- Houd het mondstuk onder de houtskool of het hout dat moet worden aanstoken. Zorg ervoor dat het apparaat stevig is gepositioneerd (Afb. G).
- Stel de hoofdschakelaar in de stand 'II' voor een hoge temperatuur in, om het apparaat te starten.
- Geef het apparaat ongeveer 45 seconden de tijd om de gewenste temperatuur te bereiken.
- Bekijk de werking en laat het apparaat niet onbeheerd achter.
- Verwijder het apparaat vanuit de positie onder de houtskool of het hout zodra het begint te gloeien.
- Blijf vanaf een afstand van 5 tot 10 cm warme lucht in de gloeiende houtskool of het gloeiende hout blazen, totdat het goed brandt.

### Na gebruik

- Stel de hoofdschakelaar in de stand 'I' voor een lage temperatuur in, om het apparaat af te laten koelen.
- Laat het apparaat gedurende ten minste 1 minuut in deze modus functioneren.
- Stel de hoofdschakelaar in de stand '0' in om het apparaat uit te schakelen.
- Wees alert dat het apparaat op dit punt nog niet volledig is afgekoeld.

Gun het apparaat voldoende tijd om na het gebruik af te koelen. Het apparaat zal nog een tijdje warm zal blijven, zelfs nadat het volledig werd uitge-

schakeld. Zorg ervoor dat het apparaat volledig is afgekoeld voordat het wordt opgeborgen.

## 4. ONDERHOUD

Neem de stekker van het apparaat te allen tijde uit de stroomvoorziening en zorg ervoor dat het volledig is afgekoeld voordat enige vorm van inspectie of reiniging wordt uitgevoerd.

- Gebruik nooit water of andere vloeistoffen om de elektrische delen van de onkruidbrander te reinigen.
- Gebruik nooit ontvlambare vloeistoffen om de onkruidbrander te reinigen, met name niet op het mondstuk.
- De buitenkant van de onkruidbrander mag met een vochtige doek worden gereinigd.
- Regelmatig onderhoud van uw onkruidbrander voorkomt onnodige problemen. Houd de ventilatiesleuven van het apparaat schoon en vrij van verontreinigen, zodat oververhitting wordt voorkomen.

### Oplossen van problemen

Als uw onkruidbrander niet goed functioneert, lees dan onderstaand wat de mogelijke oorzaken en de bijbehorende oplossingen kunnen zijn:

- De motor is oververhit
- De ventilatiesleuven van de onkruidbrander zijn verstopt



*Neem de stekker van het apparaat uit het stopcontact en reinig de ventilatiesleuven van vuil en verontreinigingen*

- De onkruidbrander start niet als het apparaat wordt ingeschakeld
- Onderbreking in het elektrische circuit



*Controleer de voedingskabel en de netstekker*

- De aan/uit-schakelaar is defect



*Ontkoppel het apparaat van de netvoeding, omdat er mogelijk een risico is op brandgevaar.*



*Laat de onkruidbrander onderhouden/repareren door uw plaatselijke dealer*

- De motor werkt niet, maar de onkruidbrander wordt wel warm/heet
- Onderbreking in het elektrische circuit



*Schakel het apparaat direct uit en neem de stekker uit de stroomvoorziening, omdat er een risico bestaat op brandgevaar!*



*Laat de onkruidbrander onderhouden/ repareren door uw plaatselijke dealer*

verder gaan dan deze garantie, inclusief impliciete garanties van verkoopbaarheid en geschiktheid voor bepaalde doeleinden. In geen enkel geval kan VONROC aansprakelijk worden gesteld voor incidentele schade of gevolgschade. Reparaties van dealers zijn gelimiteerd tot de reparatie of vervanging van defecte producten of onderdelen.

**Het product en de gebruikershandleiding zijn onderhevig aan wijzigingen. Specificaties kunnen zonder opgaa van redenen worden gewijzigd.**

## MILIEU



*Defecte en/of afgedankte elektrische of elektronische gereedschappen dienen ter verwerking te worden aangeboden aan een daarvoor verantwoordelijke instantie.*

### Uitsluitend voor EG-landen

Werp elektrisch gereedschap niet weg bij het huisvuil. Conform de Europese Richtlijn 2012/19/EG voor Afgedankte Elektrische en Elektronische Apparatuur en de implementatie ervan in nationaal recht moet niet langer te gebruiken elektrisch gereedschap gescheiden worden verzameld en op een milieuvriendelijke wijze worden verwerkt.

## GARANTIE

VONROC producten zijn ontworpen volgens de hoogste kwaliteitsstandaarden en gegarandeerd vrij van defecten, zowel materieel als fabrieksfouten, tijdens de wettelijk vastgestelde garantieperiode vanaf de eerste aankoopdatum. Mocht het product tijdens deze periode gebreken vertonen veroorzaakt door defecte materialen en/of fabrieksfouten, neem dan rechtstreeks contact op met VONROC.

De volgende situaties vallen niet onder de garantie:

- Er zijn reparaties of aanpassingen aan de machine uitgevoerd, of er is een poging daartoe ondernomen, door een niet geautoriseerd servicecentrum.
- Normale slijtage.
- De machine is misbruikt, verkeerd gebruikt of slecht onderhouden.
- Er zijn niet-originele reserveonderdelen gebruikt. Dit vormt de enige garantie opgesteld door het bedrijf zowel expliciet als impliciet. Er bestaan geen andere garanties expliciet of impliciet welke

## 1. CONSIGNES DE SÉCURITÉ

En plus des avertissements de sécurité suivants, veuillez également lire les avertissements de sécurité additionnels ainsi que les instructions. Le non-respect des avertissements de sécurité et des instructions peut entraîner une décharge électrique, un incendie et/ou des blessures graves. Veuillez conserver les avertissements de sécurité et les instructions pour consultation ultérieure.

Les symboles suivants sont utilisés dans le manuel d'utilisation ou apposés sur le produit:



Lisez le manuel d'utilisation.



Indique un risque de blessure, de décès ou de détérioration de l'outil en cas de non-respect des consignes de ce manuel.



Indique un risque de décharge électrique.



N'exposez pas la machine à la pluie.



Risque d'incendie.



Débranchez immédiatement la prise de courant si le câble est endommagé ou sectionné.



Attention ! Surface chaude. Risque de brûlure par les surfaces chaudes. Ne touchez pas !



Machine de classe II - Double isolation - Vous n'avez pas besoin de prise avec mise à la terre.

## CONSIGNES GÉNÉRALES DE SÉCURITÉ



### AVERTISSEMENT!

**Veuillez lire l'intégralité des avertissements de sécurité et des instructions.**

Le non-respect de toutes les instructions indiquées cidessous peut entraîner un risque de choc électrique, d'incendie et/ou de blessures graves.

### Conservez ces instructions

Le terme "appareil électrique" mentionné dans tous les avertissements cidessous se rapporte à un appareil électrique qui se branche au réseau électrique (grâce à un câble d'alimentation) ou à un appareil électrique (sans fil) fonctionnant grâce à une batterie.

#### 1) Espace de travail

- a) **Veillez toujours à garder votre espace de travail propre et bien éclairé.** Les espaces mal rangés et sombres peuvent être la cause d'accidents.
- b) **N'utilisez pas les appareils électriques dans des environnements susceptibles d'explosion, par exemple en présence de liquides inflammables, de gaz ou de particules.** Les appareils électriques provoquent des étincelles qui peuvent enflammer les particules des émanations.
- c) **Veillez à garder éloignés les enfants et les personnes se trouvant dans votre voisinage, lors de l'utilisation d'un appareil électrique.** Les distractions peuvent vous faire perdre le contrôle de l'appareil.
- d) **Cet appareil peut être utilisé par des enfants âgés de 8 ans et plus et par des personnes aux capacités physiques, sensorielles ou mentales réduites, ou qui manquent d'expérience et de connaissance, à condition qu'ils soient supervisés ou qu'ils aient été formés sur la façon sûre d'utiliser l'appareil et qu'ils comprennent les risques encourus.** Les enfants ne doivent pas jouer avec l'appareil. Le nettoyage et les opérations de maintenance à réaliser par l'utilisateur ne doivent pas être exécutés par des enfants sans surveillance.

#### 2) Mesures de sécurité électriques

- a) **Les prises des appareils électriques doivent être raccordées à la prise murale correspondante. Ne modifiez jamais la prise de l'appareil, de quelque façon que ce soit. N'utilisez pas d'adaptateurs qui mettent les appareils électriques à la terre (mise à la masse).** Des prises non modifiées et branchées à la prise murale correspondante réduiront les risques de choc électrique.
- b) **Évitez le contact direct avec les surfaces mises à la terre ou mises à la masse comme les canalisations, les radiateurs, les cuisinières et les réfrigérateurs.** En effet, le risque de choc électrique s'accroît si votre corps est mis à la terre ou à la masse.



- c) **N'utilisez pas d'outils électriques dans des environnements pluvieux ou humides.** *Si de l'eau s'introduit dans un appareil électrique, le risque de choc électrique augmentera.*
- d) **N'utilisez pas le câble de manière abusive. N'utilisez jamais le câble pour transporter, tirer ou débrancher l'appareil électrique. Veillez à garder le câble éloigné des sources de chaleur, des huiles, des rebords coupants ou des pièces actionnées.** *Les câbles endommagés ou entremêlés augmentent le risque de choc électrique.*
- e) **Lorsque un appareil est utilisé à l'extérieur, utilisez uniquement un câble prolongateur prévu à cet effet.** *L'utilisation d'un câble à usage extérieur réduit le risque de choc électrique.*
- f) **Si vous êtes contraint d'utiliser un outil électrique dans un environnement humide, utilisez une alimentation protégée par un dispositif à courant résiduel (RCD).** *L'utilisation d'un RCD réduit le risque de décharge électrique.*
- 3) Sécurité personnelle**
- a) **Restez vigilant, gardez un œil sur ce que vous faites et utilisez votre sens commun lors de l'utilisation d'un appareil électrique. N'utilisez pas un appareil électrique si vous êtes fatigué ou si vous êtes sous l'influence de drogues, d'alcool ou si vous prenez des médicaments.** *Un moment d'inattention lors de l'utilisation des appareils électriques peut entraîner des blessures graves.*
- b) **Utilisez un équipement de protection personnelle. Protégez-vous toujours les yeux.** *Les équipements de protection, tels qu'un masque à poussière, des chaussures antidérapantes, des protections auditives ou un casque de sécurité, utilisés dans de bonnes conditions, réduiront le risque de blessures.*
- c) **Prévenez tout démarrage involontaire. Assurez-vous que l'interrupteur est sur la position "arrêt avant de brancher l'appareil.** *En effet, le transport des appareils électriques en gardant vos doigts sur l'interrupteur, ou le branchement de ces appareils en ayant l'interrupteur sur "marche accidents.*
- d) **Retirez les clés de réglage ou les clés de vis de réglage avant d'allumer l'appareil électrique.** *Une clé de vis de réglage ou une clé, laissée sur une pièce en mouvement de l'appareil électrique, peut entraîner des lésions corporelles.*
- e) **Ne pas se précipiter. Gardez toujours vos pieds à plat et gardez votre équilibre.** *Ceci permet de mieux contrôler l'appareil électrique dans des situations imprévues.*
- f) **Habillez-vous convenablement. Ne portez pas de vêtements lâches ou de bijoux. Gardez vos cheveux, vêtements et gants éloignés des pièces actionnées.** *En effet, ces derniers peuvent être pris dans les pièces en action.*
- g) **Si les appareils sont fournis pour la connexion des équipements d'évacuation et de récupération de la poussière, assurez-vous que ces derniers soient correctement connectés et utilisés.** *L'utilisation de ces appareils peut réduire les risques liés à la poussière.*
- h) **Ne pensez pas être familiarisé avec l'outil après l'avoir utilisé à de nombreuses reprises, au point de ne plus rester vigilant et d'en oublier les consignes de sécurité.** *Toute action imprudente peut engendrer de graves blessures en une fraction de seconde.*
- 4) Utilisation et entretien d'un appareil électrique**
- a) **Ne forcez pas l'appareil électrique. Utilisez l'appareil électrique adéquat pour votre application.** *Un appareil électrique correctement choisi assurera un meilleur travail et un travail sans danger, au rythme auquel il a été conçu.*
- b) **N'utilisez pas l'appareil électrique si l'interrupteur marche/arrêt ne fonctionne pas.** *Un appareil électrique qui ne peut pas être commandé par l'interrupteur de contrôle est dangereux et doit être réparé.*
- c) **Débranchez la prise du bloc d'alimentation avant d'effectuer des réglages, de changer des accessoires, ou de ranger les appareils électriques.** *Ces mesures de sécurité préventives réduiront le risque de démarrage involontaire de l'appareil électrique.*
- d) **Rangez les appareils électriques arrêtés hors de la portée des enfants et ne laissez aucune personne, non familiarisée avec l'outil ou ces instructions, utiliser l'appareil électrique.** *Les appareils électriques sont dangereux entre les mains d'utilisateurs non formés.*
- e) **Entretenez les appareils électriques. Vérifiez tout défaut d'alignement et l'enchaînement des pièces actionnées, la rupture de ces dernières, et les autres conditions qui peuvent affecter le fonctionnement des appareils électriques.** **En cas de dommages, faites réparer l'appareil**



**électrique avant de le réutiliser.** Nombreux sont les accidents provoqués par des appareils électriques mal entretenus.

- f) **Veillez à garder les outils coupants aiguisés et propres.** Des outils coupants correctement entretenus avec des lames aiguisées sont moins susceptibles de se bloquer et sont plus faciles à contrôler.
- g) **Utilisez l'appareil électrique, les accessoires et les embouts, etc., conformément à ces instructions et de la manière prévue pour le type spécifique de l'appareil électrique, en prenant en compte les conditions de travail et le travail à effectuer.** L'utilisation de l'appareil électrique dans des applications différentes de celles prévues peut entraîner des situations dangereuses.
- h) **Gardez les poignées et les surfaces de préhension sèches, propres et exemptes d'huile et de graisse.** Des poignées et des surfaces de préhension glissantes ne permettent pas de manipuler et de contrôler l'outil correctement en cas de situations inattendues.
- 5) **Maintenance**
- a) **L'entretien de votre outil électrique doit être confié à un réparateur qualifié qui utilise uniquement des pièces de rechange identiques aux pièces d'origine.** Cela permet d'assurer la sécurité de l'outil électrique.

## CONSIGNES DE SÉCURITÉ SUPPLÉMENTAIRES PROPRES AUX DÉSHERBEURS THERMIQUES



**Avant d'utiliser l'appareil, contrôlez ce qui suit :**

- Veillez à ce que la tension nominale du désherbeur thermique corresponde bien à la tension de votre réseau électrique domestique.
- Veillez à ce que le câble et la prise électriques soient en bon état : intacts, non-emmêlés et sans trace de dommage.

- Veillez à ne pas endommager l'élément chauffant. Ne bloquez pas la circulation de l'air de la bouche de sortie d'air.
- Ne laissez pas l'appareil sans surveillance lorsqu'il est en marche.

- Ne vous servez pas de l'appareil comme d'un sèche-cheveux.
- Ne dirigez le flux d'air chaud vers aucune personne et aucun animal.
- N'utilisez pas l'appareil au-dessus de l'eau ou en présence de liquides facilement inflammables.
- L'appareil est exclusivement destiné à un usage à l'extérieur.
- Veillez à ce que l'appareil soit correctement positionné.
- Débranchez l'appareil avant le retrait du feu.
- Laissez refroidir l'appareil avant de le ranger.
- Ne laissez pas les pièces chaudes de l'appareil entrer en contact avec le cordon électrique ou des matières inflammables.



*N'utilisez pas l'appareil sous la pluie ou en cas de forte humidité.*



**La buse d'air métallique devient extrêmement chaude pendant l'utilisation.** Restez prudent et ne touchez pas la buse métallique quand l'appareil est en marche. Gardez à l'esprit que la buse métallique reste chaude longtemps une fois l'appareil éteint.



**Cet appareil produit de la chaleur à une température de 600°C sans réel signe de flamme).** Ayez toujours à l'esprit le risque d'incendie et de brûlure et prenez garde au flux d'air chaud sortant de la buse ! Le flux d'air peut provoquer de graves brûlures et occasionner des incendies si l'appareil n'est pas utilisé correctement.



**Restez toujours à bonne distance des arbres à feuilles persistantes, des épinettes de pins et de tous les conifères.** Les épinettes de pins représente un risque d'incendie car ils sont très inflammables et ils peuvent facilement s'embraser à cause du flux d'air chaud du désherbeur thermique.

### Pour utiliser l'appareil

- Contrôlez que l'interrupteur est sur la position "0" avant de brancher l'appareil au secteur.
- Veillez à toujours garder le câble électrique loin de la buse du désherbeur thermique.

- Veillez à garder les enfants et les animaux loin de l'appareil en marche et tant qu'il n'a pas complètement refroidi après son utilisation.

#### Éteignez immédiatement l'appareil si :

- La prise et/ou le câble sont défectueux ou endommagés.
- L'interrupteur est défectueux.
- Vous sentez une odeur ou si voyez de la fumée dues à l'isolation de l'appareil qui aurait brûlé.

#### Sécurité électrique

Lorsque vous utilisez des machines électriques, veuillez toujours observer les consignes de sécurité locales en vigueur afin de réduire les risques d'incendie, de décharge électrique et de blessure. En plus des instructions ci-dessous, lisez entièrement les consignes de sécurité fournies avec le produit.



**Consultez la plaque signalétique de l'appareil.** *Contrôlez que l'alimentation électrique correspond bien à la tension et à la fréquence nominales de l'appareil.*



**Appareil de classe II.** *L'appareil intègre une double isolation. Il n'a pas besoin d'être relié à la terre.*



*Si le cordon d'alimentation est endommagé, il doit être remplacé par le fabricant ou l'un de ses prestataires de service ou par une personne de même qualification, afin d'éviter tout risque.*

## 2. INFORMATIONS RELATIVES A LA MACHINE

#### Utilisation prévue

Ce désherbeur thermique est destiné à supprimer les mauvaises herbes grâce à de l'air chaud, sur les surfaces dures et non inflammables, comme les patios, les allées et les chemins.

En utilisant la deuxième buse fournie, cet appareil peut également servir à allumer les barbecues.

## SPÉCIFICATIONS TECHNIQUES

<b>N° de modèle</b>	<b>WB503AC</b>
Tension	230 V~
Fréquence	50 Hz
Entrée d'alimentation	2000W
Poids	1.2kg
<b>Position de l'interrupteur I</b>	
Débit d'air	500 l/min
Température de l'air	50°C
<b>Position de l'interrupteur I</b>	
Débit d'air	500 l/min
Température de l'air	600°C

## DESCRIPTION

Les numéros dans le texte se rapportent aux schémas des pages 2-4.

#### Fig. A

1. Buse désherbeur thermique
2. Allume-barbecue
3. Désherbeur thermique
4. Sortie d'air chaud
5. Support repliable
6. Manche télescopique
7. Support de câble

## 3. MONTAGE

#### Utilisation prévue

- Élimination des mauvaises herbes des surfaces dures, non-inflammables comme les patios, les allées et les chemins.
- Allumage des barbecues.

#### Assemblage (Fig. B, C1, C2)

- Insérez le manche télescopique (6) dans le corps principal. Regardez les flèches pour savoir dans quel sens installer le manche (Fig. B).
- La longueur du manche télescopique est réglable.
- Tournez le manche dans le sens inverse des aiguilles d'une montre pour le desserrer avant de régler le manche à la longueur voulue (Fig. C1).
- Refixez le manche en position en le tournant dans le sens des aiguilles d'une montre (Fig. C2).
- Enroulez le câble électrique sur le support de

câble (7) sur le manche.

#### Utilisation - Supprimer les mauvaises herbes (Fig. E1, F)

- Contrôlez que l'interrupteur est sur la position "0" avant de brancher l'appareil au secteur.
- Installez la buse du désherbeur thermique (1) et contrôlez que la buse n'est pas bouchée avant de mettre l'appareil en marche (Fig. E1).

Contrôlez que la buse du désherbeur thermique a bien refroidi avant de changer de buse. La buse métallique et la bouche restent chaudes longtemps une fois l'appareil éteint.

- Gardez le câble électrique loin du flux d'air chaud et de la buse.
- Positionnez l'interrupteur sur la température la plus chaude, position "II" pour allumer l'appareil.
- Laissez chauffer l'appareil environ 45 secondes pour atteindre la température de service.
- Pour supprimer les mauvaises herbes, tenez le désherbeur au-dessus des herbes et tournez lentement autour des herbes pendant environ 5 secondes (Fig. F).
- La structure cellulaire des mauvaises herbes est détruite pendant ces 5 secondes.
- Après avoir chauffé, les herbes meurent et elles peuvent être laissées en l'état avant qu'elles ne disparaissent après quelques jours.

Il n'est pas nécessaire de carboniser complètement les herbes. Si vous souhaitez malgré tout le faire, cela vous prendra plus de temps que les 5 secondes de chauffe recommandées. Si vous les brûlez plus longtemps vous risquez de laisser des traces sur les dallages tout en ralentissant votre progression.

N'utilisez pas cet appareil dans des herbes sèches ou sur d'autres surfaces inflammables. Ne l'utilisez pas en cas de sécheresse ou en cas d'autres conditions météo défavorables.

#### Utilisation - Allume-barbecue (Fig. E2, G).

- Contrôlez que l'interrupteur est sur la position "0" avant de brancher l'appareil au secteur.
- Installez la buse prévue pour les barbecues (2) et contrôlez qu'elle n'est pas bouchée avant de mettre l'appareil en marche (Fig. E2).

Contrôlez que la buse du désherbeur thermique a bien refroidi avant de changer de buse. La buse métallique et la bouche restent chaudes longtemps une fois l'appareil éteint.

- Gardez le câble électrique loin du flux d'air chaud et de la buse.
- Positionnez la buse sous le charbon ou le bois à allumer. Veillez à bien positionner l'appareil (Fig. G).
- Positionnez l'interrupteur sur la température la plus chaude, position "II" pour allumer l'appareil.
- Laissez chauffer l'appareil environ 45 secondes pour atteindre la température de service.
- Vérifiez le fonctionnement et ne laissez pas l'appareil sans surveillance.
- Retirez l'appareil de dessous le charbon ou le bois dès qu'ils commencent à brûler.
- Continuez ensuite à souffler l'air chaud sur le charbon ou le bois, à une distance de 5 à 10 cm jusqu'à ce qu'ils soient complètement embrasés.

#### Après l'utilisation

- Positionnez l'interrupteur sur la température la plus basse, position "I" pour refroidir l'appareil.
- Laissez l'appareil fonctionner à cette température pendant au moins 1 minutes.
- Positionnez l'interrupteur sur "0" pour éteindre l'appareil.
- Gardez en tête que l'appareil n'est pas encore froid à ce stade.

Laissez suffisamment de temps à l'appareil pour refroidir après l'utilisation. L'appareil reste chaud longtemps une fois éteint. Veillez à ce qu'il soit parfaitement froid avant de le ranger.

## 4. ENTRETIEN

Débranchez toujours l'appareil du secteur et veillez à ce qu'il soit parfaitement froid avant de procéder à son inspection ou à son nettoyage.

- N'utilisez jamais d'eau ou d'autres liquides pour nettoyer les pièces électriques du désherbeur thermique.
- N'utilisez jamais de liquide inflammable pour nettoyer le désherbeur thermique et notamment la bouche de sortie d'air.
- L'extérieur du désherbeur thermique peut être nettoyé à l'aide d'un chiffon humide.

- L'entretien régulier de votre désherbeur thermique peut vous éviter des problèmes inutiles. Veillez à garder les grilles de ventilation de l'appareil propres et exemptes de tout débris afin d'éviter la surchauffe.

### Dépannage

Si votre désherbeur thermique ne fonctionne pas correctement, consultez ci-dessous les causes possibles et les différentes solutions :

- Le moteur surchauffe.
- Les grilles de ventilation du désherbeur thermique sont bouchées.



*Débranchez l'appareil du secteur et nettoyez les grilles de ventilation.*

- Le désherbeur thermique ne fonctionne pas quand il est mis en marche.
- Rupture du circuit électrique.



*Contrôlez le câble électrique et la prise de courant.*

- L'interrupteur est défectueux.



*Débranchez l'appareil du secteur car un risque d'incendie est possible.*



*Faites réparer le désherbeur thermique par votre revendeur local.*

- Le moteur ne tourne pas mais le désherbeur thermique chauffe.
- Rupture du circuit électrique.



*Éteignez immédiatement l'appareil et débranchez-le du secteur. Un risque d'incendie est possible !*



*Faites réparer le désherbeur thermique par votre revendeur local.*

### ENVIRONNEMENT



*Les équipements électroniques ou électriques défectueux ou destinés à être mis au rebut doivent être déposés aux points de recyclage appropriés.*

### Uniquement pour les pays de l'UE

Ne jetez pas les outils électriques avec les déchets domestiques. Selon la Directive européenne 2012/19/CE relative aux déchets d'équipements électriques et électroniques et sa mise en oeuvre dans le droit national, les outils électriques hors d'usage doivent être collectés séparément et mis au rebut de manière écologique.

### GARANTIE

Les produits VONROC sont développés aux plus hauts standards de qualité et ils sont garantis contre les défauts de pièces et de main d'oeuvre pendant la durée légale stipulée à partir de la date d'achat d'origine du produit. En cas d'une quelconque panne du produit pendant cette durée qui serait due à un défaut matériel et/ou de main d'oeuvre, contactez directement VONROC.

Les circonstances suivantes ne sont pas prises en charge par la garantie:

- Des réparations ou altérations ont été effectuées ou tentées sur la machine par un centre de réparation non agréé.
- L'usure normale.
- L'outil a été maltraité, mal utilisé ou mal entretenu.
- Des pièces détachées non d'origine ont été utilisées

Ceci constitue l'unique garantie accordée par la société explicitement ou implicitement. Il n'existe aucune autre garantie, explicite ou implicite, qui peut s'étendre au delà du contenu ici présent, y compris les garanties marchandes ou d'adaptation à des fins particulières. En aucun cas VONROC ne sera tenu responsable de dommages accidentels ou consécutifs. Les solutions proposées par les revendeurs devront se limiter à la réparation ou le remplacement des éléments ou pièces non conformes.

**Le produit et le manuel d'utilisation sont sujets à modifications. Les spécifications peuvent changer sans préavis.**

## 1. INSTRUCCIONES DE SEGURIDAD

Lea las advertencias de seguridad, las advertencias de seguridad adicionales y las instrucciones adjuntas. De no respetarse las advertencias de seguridad y las instrucciones, podrían producirse descargas eléctricas, incendios y/o lesiones graves. Conserve las advertencias de seguridad y las instrucciones para su posterior consulta.

Los siguientes símbolos se utilizan en el manual de usuario o en el producto:



Lea el manual de usuario.



Denota riesgo de lesiones personales, pérdida de vida o daños a la herramienta en caso de incumplimiento de las instrucciones del presente manual.



Indica peligro de descarga eléctrica.



No exponer a la lluvia.



Peligro de incendio.



Retire inmediatamente el enchufe de la red si el cable está dañado o cortado.



¡Cuidado! Superficie caliente. Riesgo de quemaduras causadas por superficies calientes. ¡No tocar!



Máquina de clase II - Doble aislamiento - No necesita enchufe con puesta a tierra.

## INSTRUCCIONES GENERALES DE SEGURIDAD



### PRECAUCIÓN!

Lea todas las advertencias de seguridad y todas las instrucciones. Si no lo hace, el uso indebido puede acarrear cortocircuitos, fuego o lesiones graves.

### Conserve estas instrucciones

El término "herramienta eléctrica", en todas las advertencias enumeradas a continuación se refiere a su herramienta eléctrica (i nalámbrica) que funciona con una batería o a través de la red eléctrica.

- 1) **Área de trabajo**
  - a) **Trabaje en un lugar limpio y bien iluminado.** Lugares no iluminados o sucios propician accidentes.
  - b) **No use herramientas eléctricas donde haya riesgo de fuego o explosión, p.ej: cerca de líquidos o gases inflamables, polvo etc.** Las herramientas eléctricas producen chispas que pueden producir la ignición de partículas de humo.
  - c) **Mantenga a los niños y otras personas alejados mientras utiliza la herramienta eléctrica.** Las distracciones pueden hacer que pierda el control de la herramienta.
  - d) **Este aparato puede ser utilizado por niños a partir de 8 años de edad y por personas con capacidades físicas, sensoriales o mentales reducidas o que carezcan de experiencia y conocimientos, si están supervisadas o capacitadas sobre el uso del aparato de modo seguro y si comprenden los peligros que supone.** Los niños no deben jugar con el aparato. La limpieza y el mantenimiento de usuario no deben ser efectuados por niños, sin supervisión.
- 2) **Seguridad eléctrica**
  - a) **Cerciórese de que las clavijas de la herramienta eléctrica están correctamente enchufadas. Nunca modifique la clavija. No utilice ningún adaptador para la clavija de una herramienta eléctrica con conexión a tierra.** Las clavijas que no se hayan cambiado y los enchufes adecuados reducen el riesgo de cortocircuitos.
  - b) **Evite el contacto humano con superficies con conexiones a tierra como tubos metálicos, conductos, tubos de la calefacción, radiadores y refrigeradores.** El riesgo de cortocircuitos es mayor cuando el cuerpo está en contacto con el suelo.
  - c) **No use herramientas eléctricas bajo la lluvia o en entornos húmedos.** Si entra agua en una herramienta eléctrica aumenta el riesgo de cortocircuito. **No utilice el cable para todo. Nunca utilice el cable para mover la máquina, empujarla o sacar la clavija del enchufe.** Mantenga el cable alejado del calor, aceite, zonas cortantes o piezas en movimiento. Los cables dañados o enredados aumentan el riesgo de cortocircuito.
  - d) **Use un cable alargador impermeable adecuado para exteriores cuando trabaje con la herramienta eléctrica al aire libre.** El riesgo de cortocircuito es menor si utiliza un cable alargador adecuado para exteriores.

- e) **Si no se puede evitar el uso de la herramienta eléctrica en un lugar húmedo, use suministro protegido mediante dispositivo diferencial residual (DDR).** *El uso de un DDR reduce el riesgo de choque eléctrico.*
- f) **No permita que la familiaridad adquirida con el uso frecuente de las herramientas le haga confiarse e ignorar los principios de seguridad de las herramientas.** *Una acción descuidada puede causar lesiones graves en una fracción de segundo.*
- 3) Seguridad personal**
- a) **No se descuide, preste atención a lo que está haciendo y utilice el sentido común mientras trabaje con esta herramienta. No use herramientas eléctricas cuando esté cansado o esté bajo los efectos del alcohol, las drogas o los medicamentos.** *Un momento de distracción, mientras utilice la herramienta eléctrica, puede provocar lesiones personales graves.*
- b) **Use equipo de protección individual. Use siempre gafas protectoras.** *El uso en condiciones apropiadas del equipo de seguridad como por ejemplo: mascarilla antipolvo, zapatos antideslizantes de seguridad, casco o protección para los oídos, disminuye el riesgo de sufrir lesiones personales.*
- c) **Evite arranques involuntarios. Asegúrese de que el interruptor está en la posición de apagado antes de conectarlo a la fuente de electricidad.** *Transportar herramientas eléctricas con el dedo puesto sobre el interruptor o enchufarlas con el interruptor encendido puede causar accidentes.*
- d) **Quite cualquier llave de ajuste antes de encender la herramienta eléctrica.** *Una llave olvidada junto a una pieza móvil de la herramienta eléctrica puede provocar lesiones personales graves.*
- e) **No se estire demasiado. Mantenga siempre el equilibrio y tenga los pies en el suelo.** *Esto permite un mayor control de la herramienta eléctrica en situaciones inesperadas.*
- f) **Vístase apropiadamente. No lleve prendas holgadas o joyas.** *Mantenga su pelo, ropa y guantes alejados de las piezas móviles. Las prendas holgadas, las joyas y el pelo largo pueden quedar atrapados en las piezas móviles.*
- g) **Si se han suministrado dispositivos para la extracción y recogida de polvo asegúrese de que estos estén conectados y se utilicen correctamente.** *El uso de estos dispositivos puede reducir los riesgos relacionados con el polvo.*
- h) **Mantenga las asas y las superficies de agarre secas, limpias y libres de aceite y grasa.** *Las asas y las superficies de agarre resbaladizas no permiten un manejo y control seguros de la herramienta en situaciones inesperadas.*
- 4) Utilización y cuidados de la herramienta eléctrica**
- a) **No fuerce la herramienta eléctrica. Utilice la herramienta eléctrica adecuada para el trabajo que vaya a realizar.** *Una herramienta eléctrica apropiada realizará un trabajo mejor y más seguro si se utiliza para el objetivo con el que ha sido diseñada.*
- b) **No use herramientas que no pueden encenderse o apagarse con el interruptor.** *Las herramientas que ya no se puedan encender y apagar son peligrosas y deben repararse.*
- c) **Desenchufe la clavija de la toma de electricidad antes de realizar modificaciones, cambiar accesorios o guardar las herramientas eléctricas.** *Tales medidas de seguridad preventivas reducen el riesgo de la puesta en marcha accidental.*
- d) **Mantenga a los niños alejados de una herramienta eléctrica sin utilizar y no permita a personas que no estén familiarizadas con la máquina o estas instrucciones utilizar la herramienta.** *La herramienta eléctrica puede ser peligrosa cuando la utilicen personas sin experiencia.*
- e) **Conserve sus herramientas cuidadosamente. Verifique cualquier desalineación o agarrotamiento de piezas móviles, piezas dañadas y cualquier otra causa, que pudiera repercutir en el buen funcionamiento de la herramienta eléctrica. Si la herramienta está estropeada, repárela antes de utilizarla.** *Muchos de los accidentes están causados por un mantenimiento insuficiente del equipo eléctrico.*
- f) **Mantenga las herramientas de corte limpias y afiladas.** *Sierras con esquinas cortantes con un buen mantenimiento se bloquean menos y son más fáciles de controlar.*
- g) **Utilice la herramienta eléctrica, accesorios y brocas etc. Siguiendo las instrucciones atendiendo al tipo de herramienta eléctrica y tenga en cuenta las condiciones de trabajo y el tipo de trabajo que se va a realizar.** *Puede ser peligroso*

realizar trabajos con la herramienta diferentes de aquellos para los que está diseñada.

- h) **Mantenga las asas y las superficies de agarre secas, limpias y libres de aceite y grasa.** Las asas y las superficies de agarre resbaladizas no permiten un manejo y control seguros de la herramienta en situaciones inesperadas.

## 5) Servicio

- a) **Haga reparar su herramienta eléctrica por una persona cualificada, usando solo piezas de repuesto idénticas.** Esto garantiza que se mantenga la seguridad de la herramienta eléctrica.

## ADVERTENCIAS DE SEGURIDAD ADICIONALES PARA QUEMADORES DE MALEZAS



**Antes de usar el aparato, compruebe lo siguiente:**

- Compruebe que la tensión nominal del quemador de malezas coincida con la tensión de red local.
- Compruebe que el cable de alimentación y el enchufe estén en buen estado: íntegros, sin enredos ni daños.

- Evite que se dañe el elemento calefactor. No cierre ni bloquee el flujo de aire de la boquilla.
- No deje el aparato desatendido mientras está encendido.
- No utilice el aparato como secador de pelo.
- No dirija el flujo de aire caliente hacia personas o animales.
- No use el aparato sobre el agua o en espacios donde se utilicen líquidos fácilmente inflamables.
- El aparato es apto solo para uso en exteriores.
- Compruebe que el aparato esté correctamente posicionado.
- Desenchufe el aparato antes de retirarlo del fuego.
- Deje siempre que el aparato se enfríe antes de guardarlo.
- No deje que las partes calientes del aparato entren en contacto con el cable de alimentación u otro material inflamable.



**No utilice el aparato cuando llueva o en lugares húmedos.**



**La boquilla metálica se calienta durante el uso.** Tenga cuidado y no toque la boquilla metálica cuando use el aparato. Tenga cuidado porque la boquilla seguirá estando caliente durante un rato después de apagar el aparato.



**Este aparato funciona a una temperatura de 600 °C sin signos visibles de temperatura (no hay llamas visibles).** Tenga en cuenta el riesgo de incendio o quemaduras y tenga cuidado con el chorro de aire caliente que sale de la boquilla. El chorro de aire puede causar quemaduras o incendios si el aparato no se usa adecuadamente.



**Mantenga siempre una distancia de seguridad de las plantas de hoja perenne, las agujas de pino y todas las coníferas.** Las agujas de pino suponen un peligro de incendio pues son muy inflamables y se encienden fácilmente con el chorro de aire caliente del quemador de malezas.

### Quando utilice el aparato:

- Compruebe que el interruptor de encendido esté en la posición de apagado, indicado con "0", antes de conectar el aparato a la tensión de red.
- Mantenga siempre el cable de alimentación alejado de la boquilla del quemador de malezas.
- Mantenga a los niños y a los animales alejados del aparato durante el uso o hasta que se haya enfriado del todo después del uso.

### Apague inmediatamente el aparato cuando:

- El enchufe y/o el cable tienen defectos o están dañados.
- El interruptor es defectuoso.
- Siente olor o ve humo debido a que se ha quemado el aislamiento.

### Seguridad eléctrica

Quando use máquinas eléctricas observe siempre las normas de seguridad aplicables en su país para reducir el riesgo de incendios, descargas eléctricas y lesiones personales. Lea las siguientes instrucciones de seguridad y las instrucciones de seguridad adjuntas.

**Compruebe la placa de datos del aparato.**

Compruebe que la fuente de alimentación corresponda a la tensión y la frecuencia nominales del aparato.



**Aparato de clase II.** El aparato tiene doble aislación y por ello no es necesario utilizar un enchufe con puesta a tierra.



Si el cable de alimentación se daña, debe ser sustituido por el fabricante, sus centros de servicios u otras personas con cualificación similar, para evitar peligros.

## 2. INFORMACION DE LA MAQUINA

### Uso previsto

Este quemador de malezas ha sido diseñado para eliminar mediante aire caliente las hierbas no deseadas en superficies duras y no inflamables tales como patios, entradas y caminos.

Utilizando el accesorio secundario de boquilla suministrado, este aparato también puede utilizarse para barbacoas/carbón.

### ESPECIFICACIONES TECNICAS

<b>Modelo n.º</b>	<b>WB503AC</b>
Voltaje	230 V~
Frecuencia	50 Hz
Potencia de entrada	2000W
Peso	1.2kg
<b>Posición I del interruptor</b>	
Flujo de aire	500 l/min
Temperatura del aire	50°C
<b>Posición II del interruptor</b>	
Flujo de aire	500 l/min
Temperatura del aire	600°C

## DESCRIPCIÓN

Los números del texto se refieren a los diagramas de las páginas 2-4.

### Fig. A

1. Boquilla para desherbar
2. Boquilla para barbacoa
3. Quemador de malezas
4. Salida de aire caliente
5. Soporte plegable
6. Mango telescópico
7. Sujetacable

## 3. MONTAJE

### Uso previsto

- Eliminación de las malezas de las superficies duras y no inflamables, como patios, calzadas y caminos.
- Encendido de barbacoas u hogueras.

### Montaje (Fig. B, C1, C2)

- Introduzca el mango telescópico (6) en el cuerpo principal. Observe las flechas para orientar correctamente el mango (Fig. B).
- La longitud del mango telescópico es ajustable.
- Gire el mango en sentido antihorario para liberarlo y ajústelo a la longitud deseada (Fig. C1).
- Fije el mango en su posición girándolo en sentido horario (Fig. C2).
- Enrosque el cable de alimentación en el sujetacable (7) del mango.

### Uso - Eliminación de malezas (Fig. E1, F)

- Compruebe que el interruptor de encendido esté en la posición "0" antes de enchufar el aparato en la toma de corriente.
- Coloque la boquilla para quemar malezas (1) y compruebe que no esté bloqueada antes de encender el aparato (Fig. E1).

Compruebe que la boquilla del quemador de malezas se haya enfriado antes de cambiar la boquilla. La boquilla metálica y la boquilla seguirán estando calientes durante un rato después de apagar la máquina.

- Mantenga siempre el cable de alimentación alejado de la corriente de aire caliente y de la boquilla.
- Ponga el interruptor de red en la posición de temperatura alta "II" para encender el aparato.



- Deje que el aparato alcance la temperatura de funcionamiento durante unos 45 segundos.
- Para eliminar las malezas, mantenga la boquilla del quemador de malezas sobre las malezas y gire lentamente alrededor durante unos 5 segundos (Fig. F).
- En esos 5 segundos se destruirá la estructura celular de las malezas.
- Después de calentarlas, las malezas morirán y se degradarán de forma natural en los próximos días.

No es necesario quemar por completo las malezas hasta secarlas. Si intenta hacerlo, demorará mucho más tiempo que los 5 segundos de calentamiento recomendados. Un calentamiento prolongado puede dejar marcas visibles de quemaduras en el suelo y ralentizar innecesariamente el trabajo.

No utilice este aparato sobre hierba seca u otras superficies inflamables. No utilice el aparato durante periodos de sequía o en otras condiciones climáticas adversas.

#### Uso - Encendido de barbacoa / carbón (Fig. E2, G)

- Compruebe que el interruptor de encendido esté en la posición "0" antes de enchufar el aparato en la toma de corriente.
- Coloque la boquilla para encender la barbacoa (2) y compruebe que no esté bloqueada antes de encender el aparato (Fig. E2).

Compruebe que la boquilla del quemador de malezas se haya enfriado antes de cambiar la boquilla. La boquilla metálica y la boquilla seguirán estando calientes durante un rato después de apagar la máquina.

- Mantenga siempre el cable de alimentación alejado de la corriente de aire caliente y de la boquilla.
- Coloque la boquilla debajo del carbón o la madera que vaya a encender. Compruebe que el aparato esté correctamente colocado (Fig. G).
- Ponga el interruptor de red en la posición de temperatura alta "II" para encender el aparato.
- Deje que el aparato alcance la temperatura de funcionamiento durante unos 45 segundos.
- Observe el funcionamiento y no deje el aparato sin vigilancia.
- Retire el aparato de debajo del carbón o la madera una vez que el carbón o la madera se hayan encendido.

- Siga soplando aire caliente en el carbón o la madera incandescente desde una distancia de 5 a 10 cm hasta que ardan.

#### Después del uso

- Ponga el interruptor de red en la posición de temperatura baja "I" para enfriar el aparato.
- Deje que el aparato funcione en este modo durante por lo menos 1 minuto.
- Ponga el interruptor de red en la posición "0" para apagar el aparato.
- Tenga en cuenta que el aparato aún no se ha enfriado del todo.

Deje que el aparato se enfríe lo suficiente después del uso. El aparato seguirá estando caliente durante un rato después de apagar la máquina. Asegúrese de que el aparato se haya enfriado completamente antes de guardarlo.

## 4. MANTENIMIENTO

Desconecte siempre el aparato de la red eléctrica y compruebe que se haya enfriado completamente antes de realizar cualquier inspección o limpieza.

- Nunca utilice agua u otros líquidos para limpiar las partes eléctricas del quemador de malezas.
- No utilice nunca líquidos fácilmente inflamables para limpiar el quemador de malezas y, especialmente, la boquilla.
- La parte exterior del quemador de hierba puede limpiarse con un paño húmedo.
- El mantenimiento periódico del quemador de malezas evita problemas innecesarios. Para evitar el sobrecalentamiento, mantenga las ranuras de ventilación del aparato limpias y libres de residuos.

#### Solución de problemas

En caso de que el quemador de malezas no funcione correctamente, consulte aquí abajo las posibles causas y las soluciones correspondientes:

- El motor se sobrecalienta.
- Las ranuras de ventilación del quemador de malezas están obstruidas.



*Desenchufe el aparato de la red eléctrica y limpie la suciedad y los residuos de las ranuras de ventilación.*

- El quemador de malezas no arranca al encenderlo.
- Interrupción del circuito eléctrico.



*Compruebe el cable de alimentación y el enchufe de corriente.*

- El interruptor es defectuoso.



*Desenchufe el aparato de la red eléctrica porque existe un posible riesgo de incendio.*



*Haga revisar el quemador de malezas por su distribuidor local.*

- El motor no funciona, pero el quemador de malezas se calienta.
- Interrupción del circuito eléctrico.



*Apague inmediatamente el aparato y desenchúfelo de la red eléctrica porque existe peligro de incendio.*



*Haga revisar el quemador de malezas por su distribuidor local.*

## MEDIOAMBIENTE



*Los aparatos eléctricos o electrónicos defectuosos y/o desechados deben recogerse en lugares de reciclado apropiado.*

Solo para países de la Comunidad Europea  
No elimine las herramientas eléctricas como residuos domésticos. De acuerdo con la Directiva europea 2012/19/CE sobre residuos de aparatos eléctricos y electrónicos, y su transposición a las legislaciones nacionales, las herramientas eléctricas que ya no se utilizan deben recogerse por separado y eliminarse en modo ecológico.

## CONDICIONES DE GARANTÍA

Los productos VONROC han sido desarrollados con los más altos estándares de calidad y VONROC garantiza que están exentos de defectos relacionados con los materiales y la fabricación durante el periodo legalmente estipulado, a contar desde la fecha de compra original. En caso de que el producto presente defectos relacionados con los materiales y/o la fabricación durante este periodo, póngase directamente en contacto VONROC.

La presente garantía se excluye en los siguientes casos:

- Si centros de servicios no autorizados han realizado o han intentado realizar reparaciones y/o alteraciones a la máquina.
- Si se ha producido un desgaste normal.
- Si la herramienta ha sido mal tratada o usada en modo impropio, o se ha realizado incorrectamente su mantenimiento.
- Si se han utilizado piezas de repuesto no originales.

La presente constituye la única garantía implícita y explícita que ofrece la compañía. No existen otras garantías explícitas o implícitas que excedan las citadas aquí, incluidas las garantías implícitas de comerciabilidad e idoneidad para una finalidad en especial. VONROC no será considerada responsable en ningún caso por daños incidentales o consecuentes. Los recursos a disposición de los distribuidores se limitan a la reparación o a la sustitución de las unidades o piezas no conformes.

**El producto y el manual de usuario están sujetos a variaciones. Las especificaciones pueden variarse sin previo aviso.**

## 1. ISTRUZIONI DI SICUREZZA

Leggere accuratamente gli avvisi di sicurezza, gli avvisi di sicurezza aggiuntivi e le istruzioni. La mancata osservanza degli avvisi di sicurezza e delle istruzioni potrebbe causare scosse elettriche, incendio e/o gravi lesioni. Mantenere gli avvisi di sicurezza e le istruzioni a portata di mano per future consultazioni.

I seguenti simboli sono utilizzati nel presente manuale utente o sul prodotto:



Leggere il manuale per l'utente.



Denota il rischio di lesioni personali, morte o danni all'utensile in caso di mancata osservanza delle istruzioni contenute nel presente manuale.



Indica un pericolo di scossa elettrica.



Non esporre alla pioggia.



Pericolo di incendio.



Se il cavo di alimentazione è danneggiato o è stato tagliato, staccare immediatamente la spina dalla presa di corrente.



Attenzione! Superficie molto calda. Rischio di ustioni causate da superfici molto calde. Non toccare!



Apparecchio di Classe II - Doppio isolamento - Non è necessario il collegamento a terra.

## REGOLE GENERALI DI SICUREZZA



### ATTENZIONE!

**Leggere tutte le avvertenze di sicurezza e tutte le istruzioni.** Se non si seguono tutte le istruzioni sotto elencate, si può incorrere in uno shock elettrico, in un incendio e/o in lesioni serie.

### Conservare queste istruzioni

Il termine "arnese elettrico" in tutti gli avvertimenti sotto elencati si riferisce al vostro arnese elettrico che funziona a corrente (con filo) o ad un arnese che funziona a pile (senza filo).

### 1) Area di lavoro

- Mantenere l'area di lavoro pulita e ben illuminata. Aree buie e disordinate favoriscono gli incidenti.
- Non usare arnesi elettrici in atmosfere esplosive, come vicino ai liquidi infiammabili, gas o polveri. Gli arnesi elettrici creano scintille che possono incendiare la polvere dei vapori.
- Tenere lontani bambini e altre persone mentre si accende l'arnese elettrico. Le distrazioni possono farvi perdere il controllo.
- Questa apparecchiatura può essere utilizzata da bambini da 8 anni nonché da persone con capacità fisiche, sensoriali o mentali o da mancanza di esperienza, se si trovano sotto sorveglianza istruizione, in merito all'uso dell'apparecchiatura in modo sicuro e comprendono i rischi del caso. Accertarsi che i bambini non giochino con l'apparecchiatura. La pulizia e la manutenzione utente non deve essere eseguita da bambini senza supervisione.

### 2) Sicurezza elettrica

- Le spine dell'arnese elettrico devono andare bene per la presa di corrente. Non modificare mai la spina in alcun modo. Non usare alcun adattatore con arnesi elettrici a terra (messo a terra). Spine non modificate che vanno bene per le prese di corrente ridurranno il rischio di shock elettrico.
- Evitare il contatto corporeo con superfici a terra come tubature, radiatori, fornelli e frigoriferi. C'è un rischio maggiore di shock elettrico se il vostro corpo è a terra.
- Non esporre arnesi elettrici alla pioggia o a condizioni di umidità. Se dell'acqua penetra nell'arnese elettrico aumenterà il rischio di shock elettrico.
- Non abusare del filo. Non usare mai il filo per trasportare, spingere o staccare dalla presa l'arnese elettrico. Tenere il filo lontano da calore, olio, bordi taglienti o parti mobili. Fili danneggiati o aggrovigliati aumentano il rischio di shock elettrico.
- Quando si accende un arnese elettrico all'aperto, usare una prolunga adatta a tale uso. Usare un filo adatto all'uso all'aperto ridurrà il rischio di shock elettrico.
- Se non è possibile evitare l'uso di un elettro-utensile in ambiente umido, usare una rete di alimentazione protetta da un interruttore diffe-

**renziale (salvavita).** *L'uso di un salvavita riduce il rischio di scosse elettriche.*

### 3) Sicurezza personale

- a) **Stare vigili e attento quando si accende un arnese elettrico. Non usare un arnese elettrico mentre si è stanco o sotto l'effetto di droghe, alcool o medicinali.** *Un momento di disattenzione mentre si accendono arnesi elettrici può causare delle gravi lesioni personali.*
  - b) **Usare dispositivi di protezione individuale. Indossare sempre una protezione per gli occhi.** *Dispositivi di sicurezza come mascherina per la polvere, scarpe di sicurezza antiscivolo, casco, o protezioni per le orecchie usate nelle appropriate condizioni, ridurranno le lesioni personali.*
  - c) **Prevenire l'avvio accidentale. Assicurarsi che l'interruttore sia spento prima di collegarsi.** *Trasportare elettrotensili tenendo il dito sull'interruttore di accensione o dare corrente ad elettrotensili con l'interruttore acceso può dare luogo a incidenti.*
  - d) **Rimuovere ogni chiave regolatrice o chiave per dadi prima di accendere l'arnese elettrico.** *Una chiave per dadi o una chiave lasciata attaccata ad una parte rotante dell'arnese elettrico può provocare lesioni personali.*
  - e) **Cercare di mantenere l'equilibrio. Mantenere sempre un punto d'appoggio appropriato.** *Questo consente un controllo migliore dell'arnese elettrico in situazioni inaspettate.*
  - f) **Vestirsi adeguatamente. Non indossare vestiti larghi o gioielli. Tenere lontano capelli, vestiti e guanti dalle parti mobili. Vestiti larghi, gioielli o capelli lunghi possono essere presi nelle parti mobili.**
  - g) **Se vengono forniti dispositivi per la connessione dell'estrazione della polvere e attrezzature di raccolta, assicurarsi che questi siano collegati e usati correttamente.** *L'uso di questi dispositivi può ridurre i rischi correlati alla polvere.*
  - h) **Non lasciare che la confidenza acquisita dall'uso frequente induca l'utilizzatore ad assumere comportamenti imprudenti e a ignorare i principi di sicurezza per l'utensile.** *Una semplice distrazione può provocare gravi lesioni personali in una frazione di secondo.*
- 4) Uso e manutenzione dell'arnese elettrico**
- a) **Non forzare l'arnese elettrico. Usare l'arnese elettrico corretto per il vostro impiego.** *L'arnese*

*elettrico corretto farà il lavoro meglio e in maniera più sicura alla velocità per la quale è stato progettato.*

- b) **Non usare l'arnese elettrico se l'interruttore non si accende o non si spegne.** *Ogni arnese elettrico che non può essere controllato con l'interruttore è pericoloso e deve essere riparato.*
  - c) **Scollegare la spina dalla sorgente di elettricità prima di fare qualsiasi regolazione, cambiare gli accessori, o conservare arnesi elettrici.** *Tali misure di sicurezza preventive riducono il rischio di accendere l'arnese elettrico accidentalmente.*
  - d) **Conservare gli arnesi elettrici inattivi fuori dalla portata dei bambini e non permettere a persone che non hanno confidenza con l'arnese elettrico o con queste istruzioni di usare l'arnese elettrico.** *Gli arnesi elettrici sono pericolosi per utenti inesperti.*
  - e) **Mantenere gli arnesi elettrici. Controllare il non allineamento o l'attacco di parti mobili, la rottura di parti ed ogni altra condizione che può influire sul funzionamento degli arnesi elettrici. Se è danneggiato, far riparare l'arnese elettrico prima dell'uso.** *Molti incidenti sono causati da arnesi elettrici mantenuti male.*
  - f) **Mantenere gli arnesi da taglio affilati e puliti.** *È meno probabile che si attacchino degli arnesi da taglio mantenuti correttamente con tagli affilate e questi sono anche più facili da controllare.*
  - g) **Usare l'arnese elettrico, gli accessori e le parti dell'arnese ecc, secondo queste istruzioni e nel modo pensato per il particolare tipo di arnese elettrico, tenendo conto delle condizioni di lavoro e del lavoro da svolgere.** *L'uso dell'arnese elettrico per operazioni diverse da quelle pensate potrebbe causare situazioni pericolose.*
  - h) **Mantenere le impugnature e le superfici di presa asciutte, pulite e libere da olio e grasso.** *Impugnature e superfici di presa scivolose non consentono di maneggiare e controllare in sicurezza l'utensile in situazioni impreviste.*
- 5) Riparazione**
- a) **L'assistenza per l'elettrotensile deve essere prestata da un tecnico qualificato che utilizzi soltanto ricambi originali.** *In questo modo viene garantita la sicurezza dell'elettrotensile.*

## AVVERTENZE DI SICUREZZA AGGIUNTIVE PER IL BRUCIATORE DISERBANTE



**Prima di utilizzare l'apparecchio controllare quanto segue:**

- assicurarsi che la tensione indicata sulla targhetta dei valori nominali del bruciatore diserbante corrisponda alla tensione di rete locale;
- assicurarsi che il cavo di alimentazione e la spina siano in buono stato: solidi e senza ondulazioni o segni di danneggiamento.

- Evitare di danneggiare l'elemento riscaldante. Non ostruire né bloccare il flusso dell'aria che fuoriesce dalla bocca di uscita dell'aria calda.
- Non lasciare l'apparecchio incustodito quando è acceso.
- Non utilizzare l'apparecchio per asciugarsi i capelli.
- Non dirigere il flusso di aria calda verso persone o animali.
- Non usare l'apparecchio sull'acqua o in luoghi in cui vengono utilizzati liquidi facilmente infiammabili.
- Questo apparecchio è adatto esclusivamente all'uso all'aperto.
- Assicurarsi che l'apparecchio sia posizionato correttamente.
- Scollegare la spina dell'apparecchio dalla presa di corrente prima di rimuoverlo dal fuoco.
- Prima di riporre l'apparecchio attendere che si raffreddi.
- Non permettere il contatto tra le parti calde dell'apparecchio e il rispettivo cavo di alimentazione o altri materiali infiammabili.



*Non utilizzare questo dispositivo sotto la pioggia o in condizioni di umidità.*



**La bocca di uscita dell'aria calda di metallo si riscalda molto durante l'uso.** Fare attenzione a non toccare la bocca di uscita dell'aria calda di metallo durante l'uso dell'apparecchio. Tenere presente che la bocca di uscita dell'aria calda rimane caldo per un po' di tempo anche dopo lo spegnimento dell'apparecchio.



**Questo apparecchio funziona a una temperatura di 600 °C senza segni visibili**

**che questa temperatura venga raggiunta (non ci sono fiamme).** Essere consapevoli del possibile rischio di incendio o di ustioni e prestare attenzione al flusso di aria calda che fuoriesce dalla relativa bocca di uscita! Se l'apparecchio non viene maneggiato correttamente, tale flusso d'aria può causare ustioni o innescare incendi.



**Mantenersi sempre a distanza di sicurezza da piante sempreverdi, aghi di pino e tutti i tipi di conifere.** Gli aghi di pino sono pericolosi dal punto di vista degli incendi, essendo altamente infiammabili e facilmente incendiabili dal flusso d'aria calda del bruciatore diserbante.

### Precauzioni durante l'uso dell'apparecchio.

- Prima di collegare l'apparecchio alla rete elettrica verificare che l'interruttore sia nella posizione di spegnimento "0".
- Mantenere sempre il cavo di alimentazione dell'apparecchio lontano dalla bocca di uscita dell'aria calda del bruciatore diserbante.
- Tenere bambini e animali lontani dall'apparecchio mentre è in uso o fino a quando non si sia completamente raffreddato dopo l'uso precedente.

### Spegnere immediatamente l'apparecchio nei seguenti casi:

- se la spina e/o il cavo di alimentazione sono difettosi o danneggiati;
- se l'interruttore è difettoso;
- se si avverte odore di fumo o si nota del fumo causato dall'isolamento bruciato dell'apparecchio.

### Sicurezza elettrica

Quando si utilizzano apparecchi elettrici, osservare sempre le norme di sicurezza vigenti nel proprio paese per ridurre il rischio di incendi, scosse elettriche e lesioni personali. Leggere le istruzioni di sicurezza riportate di seguito oltre a quelle allegate al presente manuale.



**Controllare la targhetta dei valori nominali sull'apparecchio.** Verificare sempre che la tensione di alimentazione corrisponda a quella indicata sulla targhetta dei valori nominali.



**Apparecchio di Classe II.** L'apparecchio è dotato di doppio isolamento, per cui non occorre usare spine provviste di messa a terra.



Y se il cavo di alimentazione è danneggiato, deve essere sostituito dal costruttore, da un suo rappresentante addetto all'assistenza o da altre persone con qualifica simile al fine di evitare rischi per la sicurezza.

## 2. INFORMAZIONI RELATIVE ALL'ELETTROUTENSILE

### Uso previsto

Questo bruciatore diserbante elettrico è destinato a eliminare le erbe infestanti indesiderate su superfici dure e non infiammabili, come patii, vialetti e sentieri, tramite l'aria calda.

Utilizzando la seconda bocchetta inclusa, questo apparecchio può essere utilizzato anche come accendifuoco per barbecue/carbonella.

### DATI TECNICI

<b>Numero modello</b>	<b>WB503AC</b>
Tensione	230 V~
Frequenza	50 Hz
Potenza assorbita	2000W
Peso	1.2kg
<b>Posizione "I" dell'interruttore</b>	
Flusso d'aria	500 l/min
Temperatura dell'aria	50°C
<b>Posizione "II" dell'interruttore</b>	
Flusso d'aria	500 l/min
Temperatura dell'aria	600°C

### DESCRIZIONE

I numeri che compaiono nel testo si riferiscono agli schemi riportati alle pagine 2-4.

#### Fig. A

1. Bocchetta per diserbo
2. Bocchetta accendifuoco per barbecue
3. Bruciatore diserbante
4. Bocca di uscita aria calda

5. Supporto pieghevole
6. Manico telescopico
7. Fermacavo

## 3. MONTAGGIO

### Uso previsto

- Eliminazione delle erbacce da superfici dure e non infiammabili come patii, vialetti e sentieri.
- Accensione del fuoco per barbecue o caminetti

### Montaggio (Fig. B, C1, C2)

- Inserire il manico telescopico (6) nel corpo macchina. Per l'orientamento corretto del manico basarsi sulle frecce (Fig. B).
- La lunghezza del manico telescopico è regolabile.
- Ruotare il manico in senso antiorario per sganciarlo e regolare il manico telescopico all'altezza desiderata (Fig. C1).
- Bloccare la posizione del manico ruotandolo in senso orario (Fig. C2).
- Far passare il cavo di alimentazione attraverso il fermacavo (7) sul manico.

### Uso per eliminare le erbacce (Fig. E1, F)

- Prima di collegare l'apparecchio alla presa di corrente verificare che l'interruttore sia nella posizione di spegnimento "0".
- Installare la bocchetta per diserbo (1) e assicurarsi che non sia ostruita prima di accendere l'apparecchio (Fig. E1).

Prima di cambiare la bocchetta accertarsi che la bocca di uscita dell'aria calda del bruciatore diserbante si sia raffreddata. La bocca di uscita dell'aria calda e la bocchetta di metallo rimangono calde per un po' di tempo anche dopo lo spegnimento dell'apparecchio.

- Tenere sempre il cavo di alimentazione lontano dal flusso d'aria calda e dalla relativa bocca di uscita.
- Per avviare l'apparecchio porre l'interruttore nella posizione "II", corrispondente alla modalità funzionamento ad alta temperatura.
- Attendere circa 45 secondi che l'apparecchio raggiunga la temperatura di funzionamento.
- Per eliminare le erbacce, tenere la bocchetta del bruciatore sopra l'erba e ruotare lentamente intorno ad essa per circa 5 secondi (Fig. F).

- In questi 5 secondi la struttura cellulare dell'erba baccia sarà distrutta.
- Dopo il riscaldamento, l'erba morirà e potrà essere lasciata a degradarsi naturalmente nei giorni successivi.

Non è necessario bruciare completamente le erbacce. Cercare di farlo comunque richiederebbe molto più tempo dei 5 secondi di riscaldamento raccomandati. Un riscaldamento prolungato potrebbe lasciare segni visibili di bruciature sulla pavimentazione e rallenterebbe inutilmente il progresso del lavoro.

Non usare questo apparecchio su erba secca o altre superfici infiammabili. Non usare durante i periodi di siccità o in altre condizioni climatiche avverse.

#### Uso come accendifuoco per barbecue/carbonella (Fig. E2, G)

- Prima di collegare l'apparecchio alla presa di corrente verificare che l'interruttore sia nella posizione di spegnimento "0".
- Installare la bocchetta accendifuoco per barbecue (2) e assicurarsi che non sia ostruita prima di accendere l'apparecchio (Fig. E2).

Prima di cambiare la bocchetta accertarsi che la bocca di uscita dell'aria calda del bruciatore diserbante si sia raffreddata. La bocca di uscita dell'aria calda e la bocchetta di metallo rimangono calde per un po' di tempo anche dopo lo spegnimento dell'apparecchio.

- Tenere sempre il cavo di alimentazione lontano dal flusso d'aria calda e dalla relativa bocca di uscita.
- Posizionare la bocchetta sotto alla carbonella o alla legna da accendere. Assicurarsi che l'apparecchio sia in posizione stabile (Fig. G).
- Per avviare l'apparecchio porre l'interruttore nella posizione "II", corrispondente alla modalità funzionamento ad alta temperatura.
- Attendere circa 45 secondi che l'apparecchio raggiunga la temperatura di funzionamento.
- Guardare ciò che si sta facendo e non lasciare incustodito l'apparecchio.
- Togliere l'apparecchio da sotto la carbonella o la legna non appena inizia a prendere fuoco.
- Continuare a soffiare aria calda nella carbonella o nella legna incandescente da una distanza di 5-10 cm finché non brucia correttamente.

#### Dopo l'uso

- Porre l'interruttore nella posizione "I", corrispondente alla modalità di funzionamento a bassa temperatura per fare raffreddare l'apparecchio.
- Lasciare funzionare l'apparecchio in questa modalità per almeno 1 minuto.
- Porre l'interruttore nella posizione "0" per spegnere l'apparecchio.
- Tenere presente che a questo punto l'apparecchio non si sarà ancora raffreddato del tutto.

Lasciare all'apparecchio il tempo sufficiente per raffreddarsi dopo l'uso. L'apparecchio rimane caldo per un po' di tempo anche dopo il suo spegnimento completo. Assicurarsi che l'apparecchio si sia raffreddato del tutto prima di riporlo.

## 4. MANUTENZIONE

Scollegare sempre l'apparecchio dalla presa di corrente e assicurarsi che si sia raffreddato completamente prima di effettuare qualsiasi ispezione o intervento di pulizia.

- Non usare mai acqua o altri liquidi per pulire le parti elettriche del bruciatore diserbante.
- Non usare mai liquidi facilmente infiammabili per pulire il bruciatore diserbante, in particolare la bocca di uscita dell'aria calda.
- L'esterno del bruciatore diserbante può essere pulito con un panno umido.
- Una manutenzione regolare del bruciatore diserbante previene problemi inutili.
- Tenere le feritoie di ventilazione dell'apparecchio pulite e libere da detriti per evitare che si surriscaldi.

#### Risoluzione dei problemi

In caso di malfunzionamento del bruciatore diserbante, controllare di seguito alcune delle possibili cause e le relative soluzioni:

- Il motore si surriscalda.
- Le feritoie di ventilazione del bruciatore diserbante sono ostruite.



*Scollegare l'apparecchio dalla presa di corrente e liberare le feritoie di ventilazione da sporczia e detriti.*

- Il bruciatore diserbante non si avvia quando lo si accende.
- Interruzione nel circuito elettrico.



*Ispezionare il cavo di alimentazione e la relativa spina.*

- L'interruttore è difettoso.



*Scollegare l'apparecchio dalla presa di corrente, in quanto sussiste un potenziale pericolo d'incendio.*



*Fare controllare e riparare l'utensile presso il proprio rivenditore di zona.*

- Il motore non funziona, ma il bruciatore diserbante si scalda.
- Interruzione nel circuito elettrico.



*Spegnere immediatamente l'apparecchio e scollegarlo dalla presa di corrente, in quanto sussiste un potenziale pericolo d'incendio!*



*Fare controllare e riparare l'utensile presso il proprio rivenditore di zona.*

- Riparazioni e/o modifiche alla macchina sono state eseguite o tentate da centri di assistenza non autorizzati.
- Normale usura.
- L'utensile è stato abusato, utilizzato o manutenu-  
to in modo improprio.
- Sono state utilizzate parti di ricambio non originali

Ciò costituisce l'unica garanzia espressa o implicita fornita dall'azienda. Non esistono altre garanzie espresse o implicite che si estendono oltre il presente documento, ivi comprese le garanzie implicite di commerciabilità e idoneità per uno scopo particolare. In nessun caso VONROC sarà responsabile di eventuali danni incidentali o consequenziali. I rimedi dei rivenditori saranno limitati alla riparazione o sostituzione di unità o parti non conformi.

**Il prodotto e il manuale per l'utente sono soggetti a modifiche. I dati tecnici possono essere modificati senza ulteriore notifica.**

## RISPETTO AMBIENTALE



*Le apparecchiature elettriche o elettroniche difettose e/o scartate devono essere raccolte presso gli opportuni siti di riciclaggio.*

### Solo per i Paesi CE

Non smaltire gli elettrodomestici insieme ai rifiuti domestici. Secondo la Direttiva europea 2012/19/EC sui rifiuti delle apparecchiature elettriche ed elettroniche e relativa implementazione nelle normative locali, gli elettrodomestici ormai inutilizzabili devono essere raccolti separatamente e smaltiti in modo ecologico.

## DEFINIZIONI DELLA GARANZIA

I prodotti VONROC sono sviluppati secondo i più elevati standard di qualità e viene garantita l'assenza di difetti nei materiali e nella manodopera per il periodo contrattuale a partire dalla data di acquisto originale. Qualora il prodotto dovesse subire un guasto qualsiasi durante questo periodo a causa di difetti nei materiali e/o nella manodopera, si prega di contattare direttamente il VONROC.

Le seguenti circostanze sono escluse da questa garanzia:



## 1. SÄKERHETSFÖRESKRIFTER

Läs de medföljande säkerhetsvarningarna, de tillkommande säkerhetsvarningarna och anvisningarna. Om inte säkerhetsvarningarna och anvisningarna följs kan detta orsaka elstötar, brand och/eller allvarliga kroppsskador. Behåll säkerhetsvarningarna och anvisningarna för framtida bruk.

Följande symboler används i bruksanvisningen eller på produkten:



Läs igenom bruksanvisningen.



Anger risk för personskada, dödsfall eller skada på verktyget om anvisningarna i denna handbok inte följs.



Anger risk för elstötar.



Utsätt den inte för regn.



Brandrisk.



Ta omedelbart ut kontakten från elnätet om kabeln är skadad eller avklippt.



Försiktighet! Het yta. Risk för brännskador orsakade av heta ytor. Rör inte!



Klass II-maskin - dubbel isolering - du behöver ingen jordad kontakt.

## ALLMÄNNA SÄKERHETSFORESKRIFTER



### VARNING!

Läs alla säkerhetsvarningar och alla anvisningar. Om inte alla instruktioner som anges nedan efterföljs kan detta leda till el-stötar, eldsvåda och/eller allvarliga skada.

### Spara dessa instruktioner

Termen "elektriskt redskap" i varningarna som anges nedan hänvisar till elektriska verktyg (med sladd, anslutet till el-nätet) eller batteridrivna (sladdlösa) elektriska verktyg.

### 1) Arbetsutrymme

- Se till att arbetsutrymmet är städad och väl upplyst.** Stökiga och mörka utrymmen ger anledning till olyckor.
- Använd inte elektriska verktyg i explosiv luft, såsom i närheten av lättantändliga vätskor, gaser eller damm.** Elektriska verktyg åstadkommer gnistor som kan sätta eld på damm eller gas.
- Håll barn och obehöriga på avstånd när du använder ett elektriskt verktyg.** Om du blir distraherad kan du tappa kontrollen över verktyget.
- Denna apparat kan användas av barn från 8 år och personer med nedsatt fysisk eller psykisk förmåga eller bristande erfarenhet eller kunskap, om de övervakas eller får instruktioner om hur apparaten används på ett säkert sätt och är medvetna om riskerna.** Barn får inte leka med apparaten. Rengöring och användarunderhåll ska inte utföras av barn utan övervakning.

### 2) El-säkerhet

- Stickkontakten till elektriska verktyg måste passa el-uttaget.** Ändra aldrig på något sätt på stickkontakten. Använd inte adapterkontakter till jordade elektriska verktyg. Oförändrade stickkontakter och passande uttag minskar risken för el-stötar.
- Undvik kroppskontakt med jordade ytor såsom rör, element, spisar och kylskåp.** Risken för el-stötar är större om din kropp är jordad.
- Låt inte elektriska verktyg utsättas för regn eller våta förhållanden.** Om det kommer in vatten i ett elektriskt verktyg ökar risken för el-stötar.
- Skada inte kabeln.** Använd aldrig kabeln för att bära eller dra det elektriska verktyget eller för att dra ut stickkontakten. Håll sladden borta från höga temperaturer, olja, vassa kanter eller rörliga delar. Skadade eller hoptrasslade kablar ökar risken för el-stötar.
- När du använder ett elektriskt verktyg **utomhus måste förlängningskabeln vara lämplig för utomhusbruk.** Om man använder en förlängningskabel för utomhusbruk minskar risken för el-stötar.
- Använd jordfelskydd (RCD) om arbete med ett elverktyg i fuktig miljö är oundvikligt.** Användning av RCD minskar risken för elstötar.

### 3) Personlig säkerhet

- a) **Var uppmärksam, titta på det du håller på med och använd sunt förnuft när du arbetar med ett elektriskt verktyg. Använd inte elektriska verktyg när du är trött eller står under inflytande av droger, alkohol eller mediciner. Ett ögonblick ouppmärksamhet vid användandet av elektriska verktyg kan leda till allvarliga personskador.**
- b) **Använd personlig skyddsutrustning. Bär alltid skyddsglasögon. Säkerhetsutrustning såsom skyddsmasker, skor med anti-halksula, hjälm eller hörselskydd som används vid rätt omständigheter kommer att minska personskador.**
- c) **Förhindra oavsiktlig igångsättning. Se till att strömbrytaren är avslagen innan du sätter stickkontakten i eluttaget. Om du bär elverktyg med fingret på brytaren eller strömsätter elverktyg vars brytare är aktiverad kan du råka ut för en olycka.**
- d) **Ta bort skiftnycklar och skruvnycklar innan ett elektriskt verktyg slås på. En skift- eller skruvnyckel som lämnas kvar fastsatt vid det elektriska verktygets roterande delar kan leda till personskada.**
- e) **Sträck dig inte för långt. Se till att du alltid står stadigt och i balans. På så sätt har du bättre kontroll över det elektriska verktyget i oväntade situationer.**
- f) **Klä dig rätt. Bär inte löst sittande kläder eller smycken. Håll håret, kläder och handskar borta från rörliga delar. Löst sittande kläder, smycken eller långt hår kan fastna i de rörliga delarna.**
- g) **Om apparater för uppsugning och uppsamling av damm finns tillgängliga, se till att de ansluts och används korrekt. Om sådana apparater används kan dammrelaterade faror minskas.**
- h) **Låt inte erfarenheten som uppnås vid frek-vent användning av verktyg låta dig bli för självsäker och ignorera verktygsäkerhets- principerna. En oförsiktig handling kan orsaka allvarliga skador under bråkdelen av en sekund.**

### 4) Underhåll av elektriska verktyg

- a) **Överbelasta inte ett elektriskt verktyg. Använd rätt sorts verktyg till det arbete du vill utföra. Rätt sorts elektriskt verktyg gör arbetet bättre och säkrare i den hastighet det var designat för.**
- b) **Använd inte verktyget om strömbrytaren är trasig. Om ett elektriskt verktyg inte kan kontrolleras med hjälp av en strömbrytare är det farligt och måste lagas.**

- c) **Koppla loss stickkontakten från verktyget innan du utför några justeringar, byter tillbehör eller förvarar det. Med dessa preventiva säkerhetsåtgärder minskas risken för att det elektriska verktyget går på av misstag.**
- d) **Förvara elektriska verktyg som inte är i bruk utom räckhåll för barn och låt inte personer som inte känner till verktyget eller dessa instruktioner använda det. Elektriska verktyg är farliga i händerna på oerfarna användare.**
- e) **Underhåll elektriska verktyg. Kontrollera att alla rörliga delar är i rät linje och fastsatta, att inga delar är trasiga och att de är korrekt monterade. Kontrollera även annat som kan påverka verktygets funktion. Om det elektriska verktyget är trasigt måste det repareras innan det tas i bruk. Många olyckor förorsakas av dåligt underhållna elektriska verktyg.**
- f) **Håll alltid sågande och skärande verktyg vassa och rena. Sågande och skärande verktyg med vassa eggar/skär fastnar inte så lätt och är enklare att hålla kontroll över.**
- g) **Använd det elektriska verktyget, dess tillbehör, borrande eller skärande delar etc. enligt dessa instruktioner och på det sätt som det är avsett för. Ta med förutsättningarna och det arbete som ska utföras i beräkningarna. Att använda ett elektriskt verktyg för andra arbeten än det är avsett för kan resultera i farliga situationer.**
- h) **Se till att handtagen är torra, rena och fria från olja och fett. Hala handtag och grep- pytor tillåter inte säker hantering och kontroll av verktyget i oväntade situationer.**

### 5) Service

- a. **Låt ditt elverktyg servas av en kvalificerad reparatör och enbart med originalreservdelar. Detta säkerställer att elverktygets säkerhet upprätthålls.**

## KOMPLETTERANDE SÄKERHETS- VARNINGAR FÖR OGRÄSBRÄNNARE



**Innan du använder apparaten, kontrollera följande:**

- Se till att ogräsbrännarens märkspänning överensstämmer med din lokala nätspänning.
- Se till att nätsladden och nätkontakten är i gott skick: hela, utan repor eller skador.

- Förhindra skador på värmeelementet. Lås inte eller blockera luftflödet från munstycket.
- Lämna aldrig apparaten utan uppsikt när den är på.
- Använd inte apparaten för att torka hår.
- Rikta inte varmluftflödet mot personer eller djur.
- Använd inte apparaten ovanför vatten eller i utrymmen där lättantändliga vätskor används.
- Denna apparat är endast avsedd för utomhusbruk.
- Se till att apparaten är korrekt placerad.
- Koppla ur apparaten innan du tar bort den från elden.
- Låt alltid maskinen svalna innan du ställer undan den.
- Låt inte heta delar av apparaten komma i kontakt med nätsladden eller annat brandfarligt material.



Använd inte apparaten under regn eller under fuktiga förhållanden.



**Metallmunstycket blir varmt under användning.** Var försiktig och rör inte vid metallmunstycket medan apparaten används. Tänk på att munstycket förblir varmt under en tid även efter att apparaten har stängts av.



**Denna apparat arbetar vid en temperatur på 600 °C utan synliga tecken på denna temperatur (det finns inga synliga lågor).** Var medveten om risken för brand eller brännskador och se upp för hetluftströmmen från munstycket! Denna luftström kan orsaka brännskador eller starta bränder om apparaten inte hanteras korrekt.



**Håll alltid ett säkert avstånd från vintergröna, lövträd och alla barrträd.** Barr utgör en brandrisk eftersom de är mycket brandfarliga och lätt antänds av hetluftströmmen från ogräsbrännaren.

#### Vid användning av apparaten

- Kontrollera om strömbrytaren är i avstängt läge märkt "0" innan du ansluter apparaten till nätspanningen.
- Håll alltid nätkabeln borta från ogräsbrännarens munstycke.
- Håll barn och djur borta från apparaten medan den används, eller medan den ännu inte har svalnat helt från tidigare användning.

#### Stäng av maskinen omedelbart om:

- Kontakten och/eller kabeln är defekt eller skadad.
- Omkopplaren är defekt.
- Du märker en lukt eller ser rök orsakad av bränd isolering från apparaten.

#### Elsäkerhet

Följ alltid säkerhetsföreskrifterna som gäller i ditt land när du arbetar med elverktyg för att minska risken för brand, elstöt och personskada. Läs följande säkerhetsanvisningar och även de medföljande säkerhetsanvisningarna.



**Kontrollera typskylten på apparaten.** Se till att strömförsörjningen motsvarar apparatens märkspänning och frekvens.



**Apparat klass II.** Apparaten är dubbelisolerad, du behöver inte använda några jordade kontakter.



Om en strömsladd är skadad måste den bytas av tillverkaren, tillverkarens serviceombud eller liknande kvalificerad personal för att undvika fara.

## 2. MASKININFORMATION

#### Avsedd användning

Denna ogräsbrännare är avsedd för att eliminera oönskat ogräs på hårda, icke-brandfarliga ytor som uteplatser, uppfarter och vägar med hjälp av varm luft.

Med det medföljande sekundära munstycksfästet kan denna apparat också användas som grill-/koltändare.

#### TEKNISKA SPECIFIKATIONER

Modellnr.	WB503AC
Spänning	230 V~
Frekvens	50 Hz
Ineffekt	2000W
Vikt (inkl. batteri)	1.2kg
<b>Omkopplarläge I</b>	
Luftflöde	500 l/min
Lufttemperatur	50°C

Omkopplarläge II	
Luftflöde	500 l/min
Lufttemperatur	600°C

## BESKRIVNING

Siffrorna i texten hänvisar till diagrammen på sidorna 2-4.

### Fig. A

1. Ogräsbrännarmunstycke
2. Munstycke för grilltändning
3. Ogräsbrännare
4. Varmluftutlopp
5. Vikbart stativ
6. Teleskophandtag
7. Kabelhållare

## 3. MONTERING

### Avsedd användning

- Avlägsnar ogräs från hårda, icke-brandfarliga ytor som uteplatser, uppfarter och gångar.
- Tändning av en grill eller eldstad.

### Montering (fig. B, C1, C2)

- Sätt in teleskophandtaget (6) i huvudkroppen. Observera pilarna för handtagets riktning (fig. B).
- Teleskophandtagets längd kan justeras.
- Vrid handtaget moturs för att släppa det och justera teleskophandtaget till önskad längd (fig. C1).
- Fixera handtagets position genom att vrida handtaget medurs (fig. C2).
- Dra ut nätsladden genom kabelhållaren (7) på handtaget.

### Användning - eliminering av ogräs (fig. E1, F)

- Kontrollera om strömbrytaren är i avstängt läge märkt "0" innan du ansluter apparaten till eluttaget.
- Installera ogräsbrännarmunstycket (1) och kontrollera att munstycket inte är blockerat innan du sätter på apparaten (fig. E1).

Se till att ogräsbrännarens munstycke har svalnat innan du byter munstycke. Metalldelen och munstycket förblir varma under en tid även efter att apparaten har stängts av.

- Håll alltid nätkabeln borta från hetluftströmmen och munstycket.
- Sätt huvudströmbrytaren i högtemperaturläge 'II' för att starta apparaten.
- Låt apparaten gå cirka 45 sekunder att nå drifttemperatur.
- För att eliminera ogräs, håll ogräsbrännarmunstycket över ogräset och rotera sakta runt ogräset i cirka 5 sekunder (fig. F).
- Ogrässets cellstruktur kommer att förstöras under dessa 5 sekunder.
- Efter uppvärmning kommer ogräset att dö och det kan lämnas att naturligt brytas ner under de kommande dagarna.

Det är onödigt att helt bränna ogräset till smulor. Att försöka göra det ändå kommer att ta avsevärt längre tid än de rekommenderade 5 sekundernas uppvärmning. Förlängd uppvärmning kan lämna synliga brännmärken på trottoaren och kommer i onödan att sakta ner ditt arbete.

Använd inte apparaten på torrt gräs eller andra brandfarliga ytor. Använd inte under torkperioder eller på annat sätt ogynnsamma väderförhållanden.

### Användning - grill-/eldstadsändning (fig. E2, G)

- Kontrollera om strömbrytaren är i avstängt läge märkt "0" innan du ansluter apparaten till eluttaget.
- Installera grilltändarmunstycket (2) och kontrollera att munstycket inte är blockerat innan du sätter på apparaten (fig. E2).

Se till att ogräsbrännarens munstycke har svalnat innan du byter munstycke. Metalldelen och munstycket förblir varma under en tid även efter att apparaten har stängts av.

- Håll alltid nätkabeln borta från hetluftströmmen och munstycket.
- Placera munstycket under kolet eller veden som ska tändas. Se till att handtaget är ordentligt placerat (fig. G).
- Sätt huvudströmbrytaren i högtemperaturläge 'II' för att starta apparaten.
- Låt apparaten gå cirka 45 sekunder att nå drifttemperatur.
- Följ anvisningarna och lämna inte apparaten utan uppsikt.
- Ta bort apparaten från kolen eller träet när kolen eller träet börjar glöda.

- Fortsätt blåsa varm luft i det glödande kolet eller träet från ett avstånd på 5-10 cm tills det brinner ordentligt.

#### Efter användning

- Sätt huvudströmbrytaren i lågtemperaturläge 'I' för att låta apparaten svalna.
- Låt apparaten köra i detta läge minst 1 minut.
- Sätt huvudströmbrytaren i läge "0" för att stänga av apparaten.
- Tänk på att apparaten ännu inte har svalnat helt.

Låt apparaten svalna efter användning. Apparaten förblir varm under en tid även efter att den har stängts av. Se till att apparaten har svalnat helt innan du lägger undan den för förvaring.

## 4. UNDERHÅLL

Koppla alltid bort apparaten från elnätet och se till att den har svalnat helt innan du utför någon inspektion eller rengöring.

- Använd aldrig vatten eller andra vätskor för att rengöra ogräsbrännarens elektriska delar.
- Använd aldrig lättantändliga vätskor för rengöring av ogräsbrännaren, särskilt för munstycket.
- Ogräsbrännarens utsida kan rengöras med en fuktig trasa.
- Regelbundet underhåll av din ogräsbrännare förhindrar problem. Håll apparatens ventilationsöppningar rena och rena från skräp för att förhindra överhettning.

#### Felsökning

Om din ogräsbrännare inte fungerar korrekt, se nedan för några av de möjliga orsakerna och deras respektive lösningar:

- Motorn blir överhettad.
- Ogräsbrännarens ventilationsöppningar är igensatta.



*Koppla bort apparaten från elnätet och rensa ventilationsöppningarna från smuts och skräp.*

- Ogräsbrännaren startar inte när den slås på.
- Brott i den elektriska kretsen.



*Kontrollera nätkabeln och nätkontakten.*

- Strömbrytaren är defekt.



*Koppla ur apparaten från elnätet, eftersom det kan finnas en brandrisk.*



*Låt din ogräsbrännare servas av din lokala återförsäljare.*

- Motorn fungerar inte, men ogräsbrännaren värms upp.
- Brott i den elektriska kretsen.



*Stäng omedelbart av apparaten och dra ut kontakten från elnätet, eftersom det finns en brandrisk!*



*Låt din lokala återförsäljare reparera ogräsbrännaren.*

## MILJÖ



*Felaktig och/eller kasserad elektrisk eller elektronisk utrustning måste lämnas in på lämpliga återvinningsstationer.*

#### Endast för EU-länder

Kassera inte elverktyg i hushållsavfall. Enligt den europeiska riktlinjen 2012/19/EU om kasserad elektrisk och elektronisk utrustning och dess tillämpning i nationell rätt måste elverktyg som inte längre är användbara samlas in separat och kasseras på ett miljövänligt sätt.

## GARANTI

VONROC produkter är utvecklade enligt högsta kvalitetsstandard och garanteras vara utan defekter både vad gäller material och tillverkning under den period som stipuleras enligt lag med början från ursprungligt inköpsdatum. Om något fel uppstår på produkten under denna period på grund av material- och/eller tillverkningsfel skall VONROC kontaktas direkt.

Följande omständigheter exkluderas från denna garanti:

- Reparationer eller ändringar som gjorts eller försökt göras på maskinen av ett icke auktorise-

- rat servicecenter.
- Normalt slitage.
- Verktøyet har misbrukats, använts fel eller underhållits på felaktigt sätt.
- Icke-originalreservdelar har använts.

Detta utgör hela garantin från företaget, antingen uttryckt eller underförstått. Det finns inga andra garantier, uttalade eller underförstådda som gäller utöver ordalydelsen härav, häri, inklusive de outtalade garantierna för säljbarhet och lämplighet för ett särskilt syfte. Under inga omständigheter skall VONROC hållas ansvarig för några oförutsedda eller indirekta skador. Återförsäljarens åtgärder skall begränsas till reparation eller byte av felaktiga enheter eller delar.

**Med förbehåll för ändringar i produkten och bruksanvisningen. Specifikationer kan ändras utan förvarning**

## 1. SIKKERHEDSANVISNINGER

Læs de medfølgende sikkerhedsadvarsler, de supplerende sikkerhedsadvarsler og instruktionerne. Såfremt sikkerhedsadvarsler og instruktioner ikke følges, kan dette medføre elektriske stød, brand og/eller alvorlige ulykker. Gem alle sikkerhedsadvarsler og instruktioner til fremtidig reference.

Følgende symboler anvendes i denne brugermanual eller på produktet:



Læs brugermanualen.



Angiver risiko for personskade, dødsfald eller beskadigelse af varmeren i tilfælde af manglende overholdelse af anvisningerne i denne vejledning.



Angiver fare for elektrisk stød.



Udsæt ikke for regn.



Brandfare.



Tag øjeblikkeligt stikket ud af stikkontakten, hvis kablet er beskadiget eller skåret.



Forsigtig! Varm overflade. Risiko for forbrændinger pga. varme overflader. Må ikke berøres!



Klasse II-maskine – Dobbeltisoleret – Du har ikke brug for et jordstik.

## GENERELLE SIKKERHEDSFORSKRIFTER



### ADVARSEL!

Læs alle sikkerhedsadvarsler og alle anvisninger. Hvis alle nedenstående instruktioner ikke følges, kan det resultere i elektrisk stød, brand og/eller alvorlig personskade.

### Gem disse instruktioner

Udtrykket "elektrisk maskine" i alle advarslerne nedenfor henviser til elektriske maskiner/værktøj/redskaber, der via en ledning tilkobles elnettet eller strømforsynes via batteri (accu).

### 1) Arbejdsområde

- a) **Arbejdsområdet skal være rent og tilstrækkeligt belyst.** *Rodede og mørke arbejdsområder giver større risiko for ulykker.*
- b) **Brug ikke elektriske maskiner i eksplosive omgivelser, f.eks. i nærheden af brandfarlige væsker, gasser eller støv.** *Elektriske maskiner frembringer gnister, som kan antænde støv eller dampe.*
- c) **Hold børn og omkringstående på afstand, når der bruges elektriske maskiner.** *Hvis man distraheres, kan man miste kontrollen over den elektriske maskine.*
- d) **Dette apparat kan anvendes af børn på 8 år og derover samt af personer med nedsatte fysiske, sensoriske eller mentale evner eller manglende erfaring og viden, hvis de holdes under opsyn eller har fået vejledning i at bruge apparatet på en sikker måde og forstår de dermed forbundne risici.** *Børn må ikke lege med apparatet. Rengøring og brugervedligeholdelse må ikke udføres af børn uden opsyn.*

### 2) Elektrisk sikkerhed

- a) **Stik til elektriske maskiner skal passe til stikkontakten.** *Der må ikke foretages ændringer af stikket. Brug ikke snydepropper til jordede (jordforbundne) elektriske maskiner.* *Originale stik og tilsvarende kontakter mindsker risikoen for elektrisk stød.*
- b) **Undgå kropskontakt med jordede eller jordforbundne overflader som f.eks. rør, radiatorer, komfurer og køleskabe.** *Der er øget risiko for elektrisk stød, hvis kroppen er jordet eller jordforbundet.*
- c) **Elektriske maskiner må ikke udsættes for regn eller våde omgivelser.** *Hvis der kommer vand i den elektriske maskine, øges risikoen for elektrisk stød.*
- d) **Brug ikke ledningen forkert.** *Brug ikke ledningen til at bære eller trække maskinen og heller ikke for at tage ledningen ud af stikkontakten. Hold ledningen væk fra stærk varme, olie, skarpe kanter og bevægelige dele.* *Beskadigede eller filtrede ledninger øger risikoen for elektrisk stød.*
- e) **Når en elektrisk maskine bruges udendørs, skal man bruge en forlængerledning, der er beregnet til udendørs brug.** *Hvis der bruges en forlængerledning, der er beregnet til udendørs brug, mindskes risikoen for elektrisk stød.*

- f) **Hvis det ikke kan undgås at bruge et maskinværktøj i et fugtigt miljø, bør du anvende en forsyning, der er beskyttet af en fejlstrømsafbryder (RCD).** *Brugen af en RCD reducerer risikoen for elektrisk stød.*

### 3) Personlig sikkerhed

- a) **Vær agtpågivende, hold øjnene rette mod det, du laver, og brug almindelig sund fornuft, når du bruger en elektrisk maskine.** *Brug ikke en elektrisk maskine, hvis du er træt eller er under påvirkning af narkotika, alkohol eller medicin.* *Et øjeblik uopmærksomhed under arbejdet med en elektrisk maskine kan resultere i alvorlig personskade.*
- b) **Brug personligt sikkerhedsudstyr.** *Brug altid beskyttelsesbriller.* *Sikkerhedsudstyr som støvmaske, skridsikre sko, hjelm eller høreværn, brugt når det er nødvendigt, mindsker risikoen for personskade.*
- c) **Undgå utilsigtet start.** *Sørg for, at der er slukket på afbryderen, før stikket sættes i stikkontakten.* *Hvis maskinværktøj bæres med fingeren på kontakten, eller når maskinværktøj strømføres med tændt kontakt, kan der nemt ske ulykker.*
- d) **Fjern justeringsnøgler og tænger, før der tændes for den elektriske maskine.** *En tang eller nøgle, der sidder på en roterende del af den elektriske maskine, kan resultere i personskade.*
- e) **Ræk ikke for langt ud.** *Stå sikkert på fødderne og vær altid i god balance.* *Det giver bedre kontrol over maskinen i uventede situationer.*
- f) **Tag passende tøj på.** *Bær ikke løstsiddende tøj eller smykker.* *Hold hår, tøj og handsker væk fra bevægelige dele.* *Løstsiddende tøj, smykker eller langt hår kan blive grebet af bevægelige dele.*
- g) **Hvis det forefindes tilslutning til støvud-sugning og -opsamling, skal man sørge for, at udstyret er tilsluttet og bruges.** *Brug disse muligheder for at mindske risikoen for støvrelaterede risici.*
- h) **Lad ikke kendskab opnået gennem hyppig brug af værktøj lade dig blive tilbagelænet og ignorere værktøjssikkerhedsprincipper.** *En skødesløs handling kan forårsage alvorlig personskade inden for en brøkdal af et sekund.*



#### 4) Brug og behandling af elektriske maskiner

- a) **Brug ikke magt på den elektriske maskine.** Brug kun den elektriske maskine til det, den er beregnet til. Den rette elektriske maskine gør arbejdet bedre og mere sikkert ved den effekt, der er foreskrevet.
- b) **Brug ikke den elektriske maskine, hvis afbryderen ikke kan tænde og slukke.** En elektrisk maskine, der ikke kan tændes og slukkes på afbryderen, er farlig og skal repareres.
- c) **Tag stikket ud af stikkontakten før justering, udskitning af tilbehør, og før den elektriske maskine gemmes væk.** Sådanne forebyggende sikkerhedsforanstaltninger mindsker risikoen for, at den elektriske maskine starter ved et uheld.
- d) **Elektriske maskiner, der ikke bruges, skal opbevares utilgængeligt for børn, og personer, der ikke har kendskab til den elektriske maskine eller disse instruktioner, må ikke bruge den elektriske maskine.** Elektriske maskiner er farlige i hænderne på uøvede personer.
- e) **Elektriske maskiner skal vedligeholdes. Check for forkert justering og fastsiddende bevægelige dele, defekte dele og andre ting, som kan påvirke den elektriske maskines korrekte funktion.** Hvis den elektriske maskine er beskadiget, skal den repareres før brug. Mange ulykker skyldes, at elektriske maskiner er dårligt vedligeholdt.
- f) **Skærende værktøj skal holdes skarpe og rene.** Korrekt vedligeholdt skærende værktøj med skarpe skær kommer ikke så let til at sidde fast og er nemmere at styre.
- g) **Brug den elektriske maskine, tilbehør, tool- bits osv. i henhold til disse instruktioner og på den måde, som denne specielle maskine er beregnet til, idet man skal tage hensyn til arbejdsforholdene og arbejdet, der skal udføres.** Brug af den elektriske maskine til andet, end den er beregnet til, kan resultere i farlige situationer.
- h) **Hold håndtag og gribeflader tørre, rene og fri fra olie og fedtstof.** Glatte håndtag og gribeflader giver ikke mulighed for sikker håndtering og kontrol af værktøjet i uventede situationer.

#### 5) Szerviz

- a) **Elektromos szerszámát kizárólag szakemberrel javítassa, a javításhoz csak identikus cserealkatrészeket használjanak.** Az elektromos szerszám biztonságát csak így garantálhatja.

## YDERLIGERE SIKKERHEDSADVARSLER FOR UKRUDTSBRÆNDER



**Inden du bruger apparatet, skal du kontrollere følgende:**

- Sørg for, at ukrudtsbrænderens mærkespænding svarer til din lokale netspænding.
- Sørg for, at netledningen og netstikket er i god stand: stærke, uden revner eller skader.
- Undgå skader på varmelegemet. Undlad at låse eller blokere luftstrømmen fra mundstykket.
- Lad ikke apparatet være uden opsyn, når det er tændt.
- Brug ikke apparatet til at tørre hår.
- Ret ikke strømmen af varm luft mod personer eller dyr.
- Brug ikke apparatet over vand eller i rum, hvor der bruges let antændelige væsker.
- Apparatet er kun beregnet til udendørs brug.
- Sørg for, at apparatet er placeret korrekt.
- Træk apparatets stik ud, inden du fjerner det fra åben ild.
- Lad apparatet køle af, før det stilles til opbevaring.
- Lad ikke apparatets varme dele røre ved netledningen eller andet brandfarligt materiale.



Brug ikke apparatet i regnvejr eller under fugtige forhold.



**Det metalliske mundstykke bliver varmt under brug.** Vær forsigtig og berør ikke det metalliske mundstykke, mens apparatet er i brug. Vær opmærksom på, at mundstykket forbliver varmt i et stykke tid, selv efter apparatet er slukket.



**Dette apparat fungerer ved en temperatur på 600 °C uden synlige tegn på denne temperatur (der er ingen synlige flammer).** Vær opmærksom på risikoen for brand eller forbrændinger, og pas på den varme luftstrøm fra mundstykket! Denne luftstrøm kan forårsage forbrændinger eller starte brande, hvis apparatet ikke håndteres korrekt.





**Hold altid en sikker afstand fra stedsegrønne planter, fyrrenåle og alle nåletræer.**  
Fyrrenåle udgør en brandfare, da de er meget brandfarlige og let bliver antændt af varmluftstrømmen fra ukrudtsbrænderen.

#### Ved betjening af apparatet

- Kontroller, om tænd/sluk-kontakten er i sluk-positionen markeret '0', før apparatet tilsluttes netspændingen.
- Hold altid netledningen væk fra ukrudtsbrænderens mundstykke.
- Hold børn og dyr væk fra apparatet, mens det er i brug, eller mens det endnu ikke er helt afkølet fra tidligere brug.

#### Sluk øjeblikkeligt for apparatet, når:

- Stikket og/eller kablet er defekt eller beskadiget.
- Kontakten er defekt.
- Du bemærker en lugt eller ser røg forårsaget af forbrændt isolering fra apparatet.

#### Elektrisk sikkerhed

Når du bruger el-maskiner, skal du altid overholde de gældende sikkerhedsbestemmelser i dit land for at reducere risikoen for brand, elektrisk stød og personskader. Læs følgende sikkerhedsanvisninger samt de medfølgende sikkerhedsanvisninger.



**Kontroller typeskiltet på apparatet.** Sørg for, at strømforsyningen svarer til apparatets nominelle spænding og frekvens.



**Klasse II apparat.** Apparatet er dobbeltisoleret, og det er ikke nødvendigt at bruge jordforbundne stik.



Hvis forsyningsledningen er beskadiget, skal den udskiftes af producenten, dens serviceagent eller lignende kvalificerede personer for at undgå farer.

## 2. MASKINOPLYSNINGER

#### Tilsigtet brug

Denne ukrudtsbrænder er beregnet til at fjerne uønsket ukrudt på hårde, ikke-brændbare overflader såsom terrasser, indkørsler og stier ved hjælp af varm luft.

Ved hjælp af det medfølgende sekundære dysetilbehør kan dette apparat også bruges som grill-/trækulstænder.

#### TEKNISKE SPECIFIKATIONER

<b>Model nr.</b>	<b>WB503AC</b>
Spænding	230 V~
Frekvens	50 Hz
Indgangseffekt	2000W
Vægt (inkl. batteri)	1.2kg
<b>Kontaktposition I</b>	
Luftstrøm	500 l/min
Lufttemperatur	50°C
<b>Kontaktposition II</b>	
Luftstrøm	500 l/min
Lufttemperatur	600°C

#### Beskrivelse

Tallene i teksten henviser til diagrammerne på side 2-4.

#### Fig. A

1. Ukrudtsbrænderdyse
2. Grilltænderdyse
3. Ukrudtsbrænder
4. Varmluftudgang
5. Foldestativ
6. Teleskophåndtag
7. Kabelholder

## 3. SAMLING

#### Tilsigtet brug

- Fjernelse af ukrudt fra hårde, ikke-brandfarlige overflader, såsom terrasser, indkørsler og stier.
- Tænding af en grill eller bålplads.

#### Montering (fig. B, C1, C2)

- Sæt teleskophåndtaget (6) i hoveddelen. Følg pilene for håndtagets korrekte retning (fig. B).
- Teleskophåndtagets længde kan justeres.
- Drej håndtaget mod uret for at frigøre det, og juster teleskophåndtaget til den ønskede længde (fig. C1).

- Fastgør håndtagets position ved at dreje håndtaget med uret (fig. C2).
- Før netledningen gennem kabelholderen (7) på håndtaget.

#### Drift - Fjernelse af ukrudt (fig. E1, F)

- Kontroller, om netkontakten er i positionen "0", før apparatet sluttes til stikkontakten.
- Installer ukrudtsbrændedyse (1), og kontroller, at dysen ikke er blokeret, før du tænder for apparatet (fig. E1).

Sørg for, at ukrudtsbrænderens mundstykke er afkølet, inden du udskifter dysen. Den metalliske dyse og mundstykket forbliver varmt i et stykke tid, selv efter at maskinen er blevet slukket.

- Hold altid netledningen væk fra varmluftstrømmen og mundstykket.
- Sæt netkontakten i positionen 'II' ved høj temperatur for at starte apparatet.
- Lad apparatet køre i 45 sekunder, så det kan nå op på driftstemperaturen.
- For at fjerne ukrudt skal du holde ukrudtsbrænderens dyse over ukrudtet og langsomt dreje den rundt om ukrudtet i cirka 5 sekunder (fig. F).
- Ukrudtets cellestruktur vil blive ødelagt i løbet af disse 5 sekunder.
- Efter opvarmningen dør ukrudtet, og det kan efterlades til at blive naturligt nedbrudt i løbet af de næste dage.

Det er unødvendigt at brænde ukrudtet så meget, at det bliver helt sprødt. Hvis du prøver at gøre det alligevel, vil det tage betydeligt længere tid end de anbefalede 5 sekunders opvarmning. Længerevarende opvarmning kan efterlade synlige brandmærker på fortovet og vil sænke dit arbejde unødvendigt.

Brug ikke dette apparat på tørt græs eller andre brandfarlige overflader. Brug det ikke under perioder med tørke eller under andre ugunstige vejrforhold.

#### Drift - Grill-/trækulstænder (fig. E2, G)

- Kontroller, om netkontakten er i positionen "0", før apparatet sluttes til stikkontakten.
- Installer grilltænderdysen (2), og kontroller, at dysen ikke er blokeret, før du tænder for apparatet (fig. E2).

Sørg for, at ukrudtsbrænderens mundstykke er afkølet, inden du udskifter dysen. Den metalliske dyse og mundstykket forbliver varmt i et stykke tid, selv efter at maskinen er blevet slukket.

- Hold altid netledningen væk fra varmluftstrømmen og mundstykket.
- Placer dysen under det kul eller træ, der skal tændes. Sørg for, at apparatet sidder godt fast (fig. G).
- Sæt netkontakten i positionen 'II' ved høj temperatur for at starte apparatet.
- Lad apparatet køre i 45 sekunder, så det kan nå op på driftstemperaturen.
- Hold øje med driften, og lad ikke apparatet være uden opsyn.
- Fjern apparatet under kullet eller træet, når kullet eller træet begynder at gløde.
- Bliv ved med at blæse varm luft ind i det glødende kul eller træ fra en afstand på 5-10 cm, indtil det brænder ordentligt.

#### Efter brug

- Sæt netkontakten i positionen 'I' ved lav temperatur for at afkøle apparatet.
- Lad apparatet køre i denne tilstand i mindst 1 minut.
- Sæt netkontakten i positionen '0' for at slukke for apparatet.
- Vær opmærksom på, at apparatet endnu ikke er helt afkølet på dette tidspunkt.

Lad apparatet få tilstrækkelig tid til at køle af efter brug. Apparatet forbliver varmt i et stykke tid, efter at maskinen er blevet helt slukket. Sørg for, at apparatet er helt afkølet, før det stilles til opbevaring.

## 4. VEDLIGEHOLDELSE

Kobl altid apparatet fra netforsyningen, og sørg for, at det er kølet helt af, før du foretager inspektion eller rengøring.

- Brug aldrig vand eller andre væsker til at rengøre ukrudtsbrænderens elektriske dele.
- Brug aldrig let antændelige væsker til rengøring af ukrudtsbrænderen, og især ikke til mundstykket.
- Ukrudtsbrænderens yderside kan rengøres med en fugtig klud.
- Regelmæssig vedligeholdelse af din ukrudtsbrænder forhindrer unødvendige problemer. Hold apparatets ventilationsåbninger rene og fri for snavs for at forhindre overophedning.

## Fejlfinding

Hvis din ukrudtsbrænder ikke virker korrekt, kan du se nogle af de mulige årsager og deres respektive løsninger herunder:

- Motoren er overophedet.
- Ukrudtsbrænderens ventilationsåbninger er tilstoppede.



*Træk apparatets stik ud af stikkontakten, og rengør ventilationsåbningerne for snavs og rester.*

- Ukrudtsbrænderen starter ikke, når den tændes.
- Afbrydelse af det elektriske kredsløb.



*Kontroller netledningen og netstikket.*

- Kontakten er defekt.



*Træk apparatets stik ud af stikkontakten, da der er en mulig brandfare.*



*Få din ukrudtsbrænder repareret af din lokale forhandler.*

- Motoren virker ikke, men ukrudtsbrænderen opvarmes.
- Afbrydelse af det elektriske kredsløb.



*Sluk straks for apparatet, og træk dets stik ud af stikkontakten. da der er brandfare!*



*Få ukrudtsbrænderen repareret af din lokale forhandler.*

## MILJØ



*Defekte og/eller bortskaffede elektriske og elektroniske apparater skal afleveres på en passende genbrugsstation.*

### Kun for EU-lande

Smid ikke el-værktøjer ud sammen med almindeligt affald. I henhold til de europæiske direktiver 2012/19/EU for elektrisk og elektronisk udstyr og er implementeret i henhold til nationale rettigheder, el-værktøj som ikke længere er anvendelig skal indsamles separat og genbruges på en miljøvenlig måde.

## GARANTI

VONROC produkter er udviklet efter de højeste kvalitetsstandarder og er garanteret fri for mangler i såvel materialer som udførelse i den lovpligtige periode, der starter fra datoen for det oprindelige køb. Skulle produktet udvikle nogen fejl i løbet af denne periode på grund af defekte materialer og/eller fabrikationsfejl, så kontakt VONROC direkte.

De følgende forhold er udelukket fra denne garanti:

- Reparationer og eller rettelser er blevet foretaget eller forsøgt foretaget på maskinen af uautoriserede servicecentre.
- Normal slitage.
- Værktøjet har været misligholdt, misbrugt eller vedligeholdt forkert.
- Ikke originale reservedele er blevet anvendt.

Dette udgør den eneste garanti fra virks omheden enten udtrykt eller underforstået. Der er ingen andre garantier udtrykt eller underforstået, som strækker sig ud over forsiden heraf, heri, herunder underforståede garantier for salgbarhed og egnethed til et bestemt formål. VONROC vil under ingen omstændigheder være ansvarlig for hændelige skader eller følgeskader. Forhandlernes afhjælpningsmidler vil være begrænsede til reparation eller udskiftning af fejlbehæftede enheder eller dele.

**Produktet og brugermanualen kan ændres. Specifikationer kan ændres uden forudgående varsel**

## 1. INSTRUKCJE BEZPIECZEŃSTWA

Przeczytać dołączone ostrzeżenia dotyczące bezpieczeństwa, dodatkowe ostrzeżenia dotyczące bezpieczeństwa oraz instrukcję. Nieprzestrzeganie ostrzeżeń dotyczących bezpieczeństwa oraz instrukcji może prowadzić do porażenia prądem, pożaru i/lub poważnych obrażeń ciała. Zachować ostrzeżenia dotyczące bezpieczeństwa oraz instrukcje na przyszłość.

Następujące symbole są umieszczone w instrukcji obsługi lub na produkcie:



*Przeczytać instrukcję obsługi.*



*Oznacza ryzyko obrażeń ciała, śmierci lub uszkodzenia narzędzia w razie nieprzestrzegania poleceń z instrukcji.*



*Oznacza ryzyko porażenia prądem.*



*Nie wystawiać na działanie deszczu.*



*Ryzyko pożaru.*



*Niezwłocznie wyjąć wtyczkę z gniazdka w razie uszkodzenia lub przecięcia kabla.*



*Przeostrożność! Gorąca powierzchnia. Ryzyko poparzenia gorącymi powierzchniami. Nie dotykać!*



*Maszyna klasy II - Podwójna izolacja - Nie trzeba stosować wtyczek z uziemieniem.*

### OGÓLNE ZALECENIA DOTYCZĄCE BEZPIECZEŃSTWA



**UWAGA!** *Przeczytać wszystkie ostrzeżenia dotyczące bezpieczeństwa i wszystkie instrukcje. Nieprzestrzeganie wszystkich poniższych instrukcji może być przyczyną porażenia prądem, pożaru i/lub poważnych obrażeń.*

#### Zachowaj poniższe instrukcje

Termin „elektronarzędzia akumulatorowe” we wszystkich ostrzeżeniach zamieszczonych poniżej odnosi się do elektronarzędzi akumulatorowych zasilanych sieciowo (przewodowych) lub elektronarzędzi akumulatorowych działających na baterie (beprzewodowych).

#### 1) Obszar roboczy

- a) **Obszar roboczy należy utrzymywać w czystości.** *Powinien on być dobrze oświetlony. Nietąd i złe oświetlenie mogą z łatwością doprowadzić do wypadku.*
- b) **Nie korzystaj z elektronarzędzi akumulatorowych w warunkach, w których łatwo może dojść do wybuchu, np. w obecności łatwopalnych cieczy, gazów lub pyłu.** *Podczas pracy elektronarzędzi akumulatorowych powstają iskry, które mogą doprowadzić do zapłonu pyłu lub oparów.*
- c) **Dzieci i inne osoby postronne powinny pozostać w bezpiecznej odległości od pracującego urządzenia.** *Rozproszenie uwagi może spowodować utratę kontroli nad urządzeniem.*
- d) **To urządzenie może być używane przez dzieci w wieku od 8 lat i osoby z ograniczonymi zdolnościami fizycznymi, czuciowymi lub umysłowymi lub nieposiadające doświadczenia i wiedzy, jeśli znajdują się one pod nadzorem lub zostały przeszkolone z bezpiecznego użytkowania urządzenia i rozumieją związane z tym zagrożenia.** *Dzieciom nie wolno pozwalać bawić się urządzeniem. Dzieciom bez nadzoru nie wolno przeprowadzać czyszczenia i konserwacji urządzenia.*

#### 2) Bezpieczeństwo związane z elektrycznością

- a) **Wtyczki elektronarzędzi akumulatorowych muszą być odpowiednio do danego gniazda.** *Pod żadnym pozorem nie należy modyfikować wtyczki w jakikolwiek sposób. Nie należy używać adapterów, które uziemiają elektronarzędzia akumulatorowe. Stosować nie wtyczek nie poddanych modyfikacjom oraz odpowiednich gniazd zmniejsza ryzyko porażenia prądem.*
- b) **Należy unikać bezpośredniego kontaktu fizycznego z powierzchniami uziemionymi, takimi jak rury, grzejniki, kuchenki, lodówki.** *Ryzyko porażenia prądem jest większe, jeśli ciało osoby obsługującej urządzenie jest uziemione.*

- c) **Nie należy wystawiać elektronarzędzi akumulatorowych na działanie deszczu lub wilgoci.** *Dostanie się wody do wnętrza elektronarzędzia akumulatorowego zwiększy ryzyko porażenia prądem.*
- d) **Nie należy używać przewodu w niewłaściwy sposób. Pod żadnym pozorem nie należy wykorzystywać przewodu do przenoszenia lub ciągnięcia elektronarzędzia akumulatorowego, ani do jego odłączania od sieci. Przewodu nie należy wystawiać na działanie ciepła, smarów. Powinien on znajdować się w bezpiecznej odległości od ostrych krawędzi i części ruchomych. Przewody uszkodzone lub poplątane zwiększają ryzyko porażenia prądem.**
- e) **Podczas korzystania z elektronarzędzia akumulatorowego na wolnym powietrzu, należy używać przewodu przedłużacza przystosowanego do użytku na zewnątrz. Używanie przewodu nadającego się do użytku na wolnym powietrzu zmniejsza ryzyko porażenia prądem.**
- f) **Jeśli obsługa elektronarzędzia w wilgotnym miejscu jest nieunikniona, użyć zasilania wyposażonego w wyłącznik różnicowo-prądowy. Użycie wyłącznika różnicowo-prądowego zmniejsza ryzyko porażenia prądem.**
- 3) Bezpieczeństwo osoby obsługującej urządzenie**
- a) **Przez cały czas należy mieć się na baczności, uważać na to, co się robi, a w czasie obsługi elektronarzędzia akumulatorowego postępować mając na uwadze zdrowy rozsądek. Urządzenia nie powinny obsługiwać osoby zmęczone lub będące pod wpływem narkotyków, alkoholu lub leków. Chwila nieuwagi w czasie obsługi elektronarzędzi akumulatorowych może być przyczyną powstania poważnych obrażeń ciała.**
- b) **Należy korzystać ze sprzętu ochronnego oraz zawsze nosić okulary ochronne. Sprzęt ochronny, jak na przykład maska przeciwpyłowa, antypoślizgowe obuwie ochronne, kask lub słuchawki ochronne używane we właściwych sytuacjach pozwoli na zmniejszenie ryzyka obrażeń ciała.**
- c) **Unikać niezamierzonego uruchomienia. Przed podłączeniem urządzenia do sieci, zawsze sprawdzić, czy przełącznik znajduje się w pozycji „wyłączony”. Przenoszenie elektronarzędzi z palcem na przełączniku lub włączonych elektronarzędzi z przełącznikiem w położeniu włączenia jest bardzo niebezpieczne i może powodować wypadki.**
- d) **Przed włączeniem elektronarzędzia akumulatorowego należy usunąć z niego wszystkie klucze nastawcze lub maszynowe. Pozostawienie klucza zamocowanego na jednej z części obrotowych urządzenia może spowodować powstanie obrażeń ciała.**
- e) **Nie należy sięgać ponad urządzeniem. Przez cały czas należy zachować odpowiednią równowagę i zapewnić odpowiednie oparcie dla stóp. Pozwoli to na lepsze kontrolowanie urządzenia w nieoczekiwanych sytuacjach.**
- f) **Należy nosić odpowiednie ubranie. Do pracy z urządzeniem nie wkładać luźnych ubrań ani biżuterii. Włosy, ubranie i rękawiczki trzymać z dala od części ruchomych. Luźne części ubrania, biżuteria lub długie włosy mogą zostać wciągnięte przez części ruchome.**
- g) **Jeśli w urządzeniu przewidziano elementy służące do odprowadzania i zbierania pyłu, należy sprawdzić, czy są podłączone, i czy działają we właściwy sposób. Korzystanie z tego typu elementów pozwala ograniczyć ryzyko związane z wydzielaniem pyłu podczas pracy urządzenia.**
- h) **Nie zezwalać na to, aby rutyna związana z częstym korzystaniem z narzędzi powodowała nadmierną pewność siebie i ignorowanie zasad bezpiecznego korzystania z narzędzi. Nieodpowiedzialne działanie może spowodować poważne obrażenia ciała w ułamku sekundy.**
- 4) Obsługa i konserwacja elektronarzędzi akumulatorowych**
- a) **Urządzenia nie należy przeciążać. Należy korzystać z narzędzia odpowiedniego do danego typu pracy. Odpowiednio dobrane urządzenie pozwoli na lepsze i bezpieczniejsze wykonanie pracy, we właściwym dla urządzenia tempie.**
- b) **Z elektronarzędzia akumulatorowego nie należy korzystać, jeśli nie można go wyłączyć i wyłączyć przy pomocy przełącznika. Urządzenie, którego nie można kontrolować używając przełącznika jest niebezpieczne i powinno być oddane do naprawy.**
- c) **Przed przystąpieniem do regulowania elektronarzędzi akumulatorowych, wymiany akcesoriów lub przygotowywania urządzeń do okresu przechowywania, należy odłączyć wtyczkę od źródła zasilania. Tego typu środki ostrożności zmniejszają ryzyko przypadkowego uruchomienia urządzenia.**

- d) Nieczynne elektronarzędzia akumulatorowe należy przechowywać poza zasięgiem dzieci. Nie należy pozwolić, aby osoby nie znające urządzenia lub niniejszych instrukcji obsługi używały urządzenia. Elektronarzędzia akumulatorowe w rękach niekompetentnych użytkowników stanowią zagrożenie.
- e) Elektronarzędzia akumulatorowe należy utrzymywać w dobrym stanie technicznym. Należy sprawdzać, czy części ruchome są właściwie założone, i czy się nie zacinają. Należy również sprawdzać, czy jakieś części nie są uszkodzone oraz sprawdzać wszelkie inne elementy, które mogą wpłynąć na pracę urządzeń. Jeśli urządzenie jest uszkodzone, przed przystąpieniem do jego użytkowania, należy je naprawić. Częstoą przyczyną wypadków jest zły stan techniczny urządzeń.
- f) Narzędzia służące do cięcia powinny być naostrzone i utrzymywane w czystości. Jeśli narzędzia służące do cięcia, które posiadają ostre krawędzie tnące, są właściwie konserwowane, istnieje mniejsze prawdopodobieństwo ich zacinania się. Ponadto, łatwiej je kontrolować.
- g) Elektronarzędzia akumulatorowe, akcesoriów, nakładek, itp. należy używać zgodnie z niniejszymi instrukcjami oraz w sposób właściwy dla danego rodzaju urządzenia, z uwzględnieniem warunków pracy oraz jej rodzaju. Używanie urządzenia niezgodnie z przeznaczeniem może prowadzić do powstania sytuacji niebezpiecznych.
- h) Uchwyty należy utrzymywać w stanie suchym, czystym i niezabrudzonym olejem lub smarem. Śliskie uchwyty i powierzchnie do chwytania nie pozwalają na bezpieczne obchodzenie się z narzędziem i panowanie nad nim w nieoczekiwanych sytuacjach.
- 5) Serwis
- a) Zlecać serwisowanie elektronarzędzie wykwalifikowanemu technikowi stosującymi jedynie części zamienne identyczne z oryginalnymi. Zapewni to zachowanie bezpieczeństwa elektronarzędzia.

## DODATKOWE OSTRZEŻENIA DOTYCZĄCE BEZPIECZEŃSTWA DLA WYPALARKI CHWASTÓW



### Przed użyciem urządzenia sprawdzić poniższe:

- Dopilnować, aby znamionowe napięcie robocze opalarki do chwastów było zgodne z napięciem sieciowym.
- Dopilnować, aby kabel zasilający i wtyczka sieciowa były w dobrym stanie: wytrzymałe, niesplątane i nieuszkodzone.
- Chronić element grzejny przed uszkodzeniem. Nie ograniczać ani nie blokować wylotu powietrza przez dyszę.
- Nie pozostawiać włączonego urządzenia bez nadzoru.
- Nie używać urządzenia do suszenia włosów.
- Nie kierować bezpośredniego strumienia gorącego powietrza na ludzi lub zwierzęta.
- Nie używać urządzenia nad wodą ani w miejscach, gdzie używa się łatwopalnych cieczy.
- To urządzenie jest przeznaczone wyłącznie do użytku na wolnym powietrzu.
- Dopilnować, aby urządzenie zostało ustawione we właściwej pozycji.
- Odłączyć urządzenie od zasilania przed jego usunięciem z ognia.
- Zawsze poczekać, aż urządzenie ostygnie przed rozpoczęciem jego przechowywania.
- Nie pozwalać, aby gorące części urządzenia dotykały kabla zasilania ani innych materiałów palnych.



Nie używać urządzenia podczas deszczu ani w warunkach wysokiej wilgotności.



**Metalowa dysza bardzo się nagrzewa podczas użytku i jest gorąca.** Zachować ostrożność, aby nie dotknąć metalowej dyszy podczas użytkowania urządzenia. Pamiętać, że dysza pozostaje gorąca przez jakiś czas nawet po wyłączeniu urządzenia.



**To urządzenie pracuje z temperaturą 600°C bez widocznych oznak występowania takiej temperatury (nie ma widocznych płomieni).** Uważać na ryzyko pożaru lub poparzenia i uważać na strumień gorącego powietrza wylatującego z dyszy! Ten strumień powietrza

może spowodować oparzenia lub wywołać pożar, jeśli urządzenie nie będzie obsługiwane prawidłowo.



**Zawsze zachowywać bezpieczny odstęp od roślin zimozielonych, igieł sosnowych i wszystkich roślin iglastych. Igieł sosnowe grożą pożarem, gdyż są wysoce łatwopalne i łatwo zapalają się pod wpływem strumienia gorącego powietrza z wypalarki do chwastów.**

#### Podczas obsługi urządzenia

- Sprawdzić, czy włącznik jest w położeniu wyłączonym oznaczonym „0” przed podłączeniem urządzenia do zasilania sieciowego.
- Zawsze trzymać kabel zasilania z dala od dyszy wypalarki do chwastów.
- Nie pozwalać dzieciom ani zwierzętom zbliżać się do urządzenia podczas jego użytku lub gdy jeszcze nie wystygło całkowicie po użytku.

#### Niezwłocznie wyłączać urządzenie, gdy:

- Wtyczka i/lub kabel są wadliwe lub uszkodzone.
- Włącznik nie działa.
- Zauważy się zapach lub dym pochodzący z przypalonej izolacji urządzenia.

#### Bezpieczeństwo elektryczne

Podczas korzystania z elektronarzędzi należy zawsze przestrzegać krajowych przepisów BHP w celu ograniczenia ryzyka pożaru, porażenia prądem i obrażeń ciała. Przeczytać poniższe instrukcje dotyczące bezpieczeństwa oraz dołączone instrukcje dotyczące bezpieczeństwa.



**Zapoznać się z tabliczką znamionową na urządzeniu. Dopilnować, aby parametry zasilania były zgodne z napięciem i częstotliwością podanymi na tabliczce znamionowej urządzenia.**



**Urządzenie klasy II. Urządzenie ma podwójną izolację, dlatego korzystanie z uziemionych wtyczek nie jest wymagane.**



**Jeśli przewód zasilania jest uszkodzony, musi go wymienić producent, jego przedstawiciel serwisowy lub podobnie, odpowiednio wykwalifikowana osoba, aby uniknąć zagrożenia.**

## 2. INFORMACJE O MASZYNIE

#### Przeznaczenie

Wypalarka do chwastów jest przeznaczona do usuwania za pomocą gorąca niepożądanych roślin na twardych i niepalnych powierzchniach, jak tarasy, podjazdy i ścieżki.

Po podłączeniu dołączonej do zestawu dodatkowej dyszy tego urządzenia można używać jako podpalarki do grilla/węgla drzewnego.

#### DANE TECHNICZNE

Nr modelu	WB503AC
Napięcie	230 V~
Częstotliwość	50 Hz
Pobór mocy	2000W
Ciezar	1.2kg
<b>Położenie włącznika I</b>	
Przepływ powietrza	500 l/min
Temperatura powietrza	50°C
<b>Położenie włącznika II</b>	
Przepływ powietrza	500 l/min
Temperatura powietrza	600°C

#### OPIS

Liczby w tekście odnoszą się do rysunków na stronach 2-4.

#### Rys. A

1. Dysza wypalarki do chwastów
2. Dysza podpalarki do grilla
3. Wypalarka do chwastów
4. Wylot gorącego powietrza
5. Składany stojak
6. Uchwyt teleskopowy
7. Mocowanie do kabla

## 3. MONTAŻ

#### Przeznaczenie

- Do usuwania chwastów z twardych i niepalnych powierzchni, jak tarasy, podjazdy i ścieżki.
- Rozpalanie grilla lub ogniska.



**Montaż (rys. B, C1, C2)**

- Włożyć uchwyt teleskopowy (6) w korpus. Ustawić uchwyt zgodnie ze strzałkami (rys. B).
- Długość uchwytu teleskopowego można regulować.
- Obrócić uchwyt przeciwnie do wskazówek zegara, aby go zwolnić, po czym ustawić żądaną długość uchwytu teleskopowego (rys. C1).
- Ustalić położenie uchwytu, obracając go zgodnie ze wskazówkami zegara (rys. C2).
- Utworzyć pętlę z kabla zasilania, przekładając go przez mocowanie do kabla (7) na uchwycie.

**Obsługa - usuwanie chwastów (rys. E1, F)**

- Sprawdzić, czy włącznik jest w położeniu wyłączonym oznaczonym „0” przed podłączeniem urządzenia do gniazdka sieciowego.
- Zamontować dyszę do wypalania chwastów (1) i sprawdzić, czy dysza nie jest zatkana przed włączeniem urządzenia (rys. E1).

Dopilnować, aby dysza wypalarki do chwastów wystygła przed wymianą dyszy. Metalowa końcówka dyszy i dysza pozostają gorące przez jakiś czas nawet po wyłączeniu urządzenia.

- Trzymać kabel zasilania z dala od strumienia gorącego powietrza oraz dyszy.
- Ustawić włącznik w położeniu wysokiej temperatury „II”, aby uruchomić urządzenie.
- Pozwolić urządzeniu pracować przez około 45 sekund, aby osiągnęło temperaturę roboczą.
- Aby usuwać chwasty, trzymać dyszę wypalarki do chwastów nad chwastem i powoli wykonywać ruch okrężający chwast przez około 5 sekund (rys. F).
- W czasie tych 5 sekund struktura komórek chwastu zostanie zniszczona.
- Po wypaleniu chwast umrze i można go będzie pozostawić do naturalnego rozkładu przez kolejne kilka dni.

Nie ma potrzeby całkowitego spalania chwastów na wiór. W każdym razie próba całkowitego spalania trwałaby dłużej niż zalecane 5 sekund wypalania. Zbyt długie wypalanie może prowadzić do pozostawienia widocznych śladów na chodniku i niepotrzebnie wydłuży pracę.

Nie używać tego urządzenia na suchej trawie ani innych powierzchniach łatwopalnych. Nie używać

w okresach suszy lub innych trudnych warunkach atmosferycznych.

**Obsługa - rozpalanie grilla/węgla drzewnego (rys. E2, G)**

- Sprawdzić, czy włącznik jest w położeniu wyłączonym oznaczonym „0” przed podłączeniem urządzenia do gniazdka sieciowego.
- Zamontować dyszę do rozpalania grilla (2) i sprawdzić, czy dysza nie jest zatkana przed włączeniem urządzenia (rys. E2).

Dopilnować, aby dysza wypalarki do chwastów wystygła przed wymianą dyszy. Metalowa końcówka dyszy i dysza pozostają gorące przez jakiś czas nawet po wyłączeniu urządzenia.

- Trzymać kabel zasilania z dala od strumienia gorącego powietrza oraz dyszy.
- Umieścić dyszę pod węglem lub drewnem do rozpalenia. Dopilnować, aby urządzenie było ustawione stabilnie (rys. G).
- Ustawić włącznik w położeniu wysokiej temperatury „II”, aby uruchomić urządzenie.
- Pozwolić urządzeniu pracować przez około 45 sekund, aby osiągnęło temperaturę roboczą.
- Obserwować działanie urządzenia i nie pozostawiać go bez nadzoru.
- Wyjąć urządzenie spod węgla lub drewna, gdy drewno lub węgiel zacznie się żarzyć.
- Dmuchać gorącym powietrzem z urządzenia na żarzący się węgiel lub żarzące się drewno z odległości 5-10 cm, aż do ich całkowitego rozpalenia.

**Po użyciu**

- Ustawić włącznik w położeniu niskiej temperatury „I”, aby schłodzić urządzenie.
- Pozwolić urządzeniu pracować w tym trybie przez co najmniej 1 minutę.
- Ustawić włącznik w położeniu „0”, aby wyłączyć urządzenie.
- Pamiętać, że na tym etapie urządzenie jeszcze nie ostygło całkowicie.

Odczekać odpowiednio długo, by urządzenie ostygło po użyciu. Urządzenie pozostaje gorące przez jakiś czas od całkowitego wyłączenia. Dopilnować, aby urządzenie wystygło całkowicie przed rozpoczęciem jego przechowywania.



## 4. KONSERWACJA

Zawsze odłączać urządzenie od zasilania i odczekać na jego całkowite ostygnięcie przez wykonaniem jakiegokolwiek kontroli lub czyszczeniem.

- Nigdy nie używać wody ani innych cieczy do czyszczenia części elektrycznych wypalarki do chwastów.
- Nigdy nie używać łatwopalnych cieczy do czyszczenia wypalarki do chwastów, a szczególnie jej dyszy.
- Zewnętrzne powierzchnie wypalarki do chwastów można oczyścić wilgotną ściereczką.
- Regularna konserwacja wypalarki do chwastów pomoże uniknąć niepotrzebnych problemów. Utrzymywać szczeliny wentylacyjne urządzenia w czystości i wolne od resztek, aby zapobiegać przegrzewaniu się urządzenia.

### Rozwiązywanie problemów

Jeśli wypalarka do chwastów nie działa prawidłowo, zapoznać się z poniższym opisem możliwych przyczyn i rozwiązań problemów:

- Silnik się przegrzewa.
- Szczeliny wentylacyjne wypalarki do chwastów są zatkane.



*Odłączyć urządzenie od zasilania i oczyścić szczeliny wentylacyjne z zanieczyszczeń i resztek.*

- Wypalarka do chwastów nie uruchamia się po włączeniu.
- Przerwany obwód elektryczny.



*Sprawdzić kabel zasilania i wtyczkę zasilania.*

- Włacznik nie działa.



*Odłączyć wypalarkę do chwastów od zasilania, ponieważ grozi to pożarem.*



*Zlecić przegląd wypalarki do chwastów w najbliższym serwisie.*

- Silnik nie pracuje, ale wypalarka do chwastów nagrzewa się.
- Przerwany obwód elektryczny.



*Z uwagi na ryzyko pożaru niezwłocznie wyłączyć urządzenie i odłączyć je od zasilania!*



*Zlecić przegląd wypalarki do chwastów w najbliższym serwisie.*

## ŚRODOWISKO



*Uszkodzone i/lub niepotrzebne urządzenia elektryczne lub elektroniczne podlegają zbiórce w odpowiednich punktach recyklingu.*

### Tylko kraje WE

Nie wyrzucać elektronarzędzi wraz z odpadami z gospodarstw domowych. Zgodnie z dyrektywą 2012/19/WE dotyczącą zużytych urządzeń elektrycznych i elektronicznych oraz jej wdrożeniem do prawodawstwa krajowego, elektronarzędzia, które już nie nadają się do użytku, podlegają oddzielnej zbiórce oraz utylizacji w sposób przyjazny dla środowiska.

## GWARANCJA

Produkty VONROC są wytwarzane zgodnie z najwyższymi standardami jakości i producent udziela gwarancji na wady materiałowe i wady wykonania na okres wymagany prawem, licząc od dnia zakupu. Jeśli wystąpi usterka produktu w tym okresie spowodowana wadą materiałową i/lub wadą wykonania, proszę bezpośrednio skontaktować się ze sprzedawcą VONROC.

Następujące okoliczności powodują unieważnienie gwarancji:

- Przeprowadzono naprawy lub modyfikacje narzędzia w serwisie innym lub autoryzowany lub podjęto ich próbę;.
- Normalne zużycie nie jest objęte gwarancją;.
- Narzędzie było używane niezgodnie z przeznaczeniem, źle z nim się obchodzono lub było nieprawidłowo konserwowane;.
- Użyto części zamiennych innych niż oryginalne.

Niniejsza gwarancja to wyłączna gwarancja producenta i nie obowiązują żadne inne wyrażone ani do rozumiane gwarancje. Nie obowiązują żadne inne wyrażone ani dorozumiane gwarancje o zakresie

przekraczającym niniejszą gwarancję, co obejmuje dorozumiane gwarancje przydatności do sprzedaży i przydatności do określonego celu. W żadnym przypadku firma VONROC nie ponosi odpowiedzialności za straty przypadkowe lub wynikowe. Zadośćuczynienie sprzedawcy jest ograniczone do naprawy lub wymiany niezgodnych urządzeń lub części.

**Produkt i instrukcja obsługi podlegają zmianom.  
Dane techniczne podlegają zmianom bez uprzedzenia**

## 1. INSTRUCȚIUNI DE SIGURANȚĂ

Citiți avertizările de siguranță, avertizările de siguranță suplimentare și instrucțiunile. Nerespectarea avertizărilor de siguranță poate cauza producerea de electrocutări, incendii și/sau răniri grave. Păstrați avertizările de siguranță și instrucțiunile pentru referințe viitoare.

În manualul de utilizare sau pe produs se utilizează următoarele simboluri:



*Citiți manualul de utilizare.*



*Indică riscul de rănire personală, pierderea vieții sau deteriorarea încălzitorului în cazul în care nu se respectă instrucțiunile din acest manual.*



*Indică pericolul de electrocutare.*



*Nu expuneți la ploaie.*



*Pericol de incendiu.*



*Scoateți ștecherul de la rețea imediat dacă cablul este deteriorat sau tăiat.*



*Atenție! Suprafață fierbinte. Risc de arsuri datorate suprafețelor fierbinți. Nu atingeți!*



*Mașină clasa II - Izolație dublă - Nu aveți nevoie de nicio priză de împământare.*

## REGULI GENERALE DE PROTECȚIA MUNCII



### **AVERTISMENT!**

***Citiți toate avertizările de siguranță și toate instrucțiunile.*** Respectarea tuturor instrucțiunilor prezentate în cele ce urmează este obligatorie pentru evitarea riscurilor de electrocutare, incendiu și/ sau de vătămări grave.

### **Păstrați aceste instrucțiuni**

Termenul "sculă electrică" ce apare în toate avertismentele de mai jos se referă la scula electrică alimentată la priză (prin cablu de alimentare) sau la scula electrică alimentată prin acumulatori (fără cablu de alimentare).

- 1) Spațiul de lucru**
- Mențineți spațiul de lucru curat și bine iluminat.** *Spațiile de lucru dezordonate și întunecate predispun la accidente.*
  - Nu utilizați sculele electrice în medii explozive, ca de exemplu în prezența unor materiale inflamabile cum ar fi lichide, gaze sau praf.** *Sculele electrice produc scânteii, care pot aprinde praful sau vaporii.*
  - În timpul lucrului cu o sculă electrică, nu lăsați copiii sau priverii să se apropie.** *Micșorarea atenției vă poate face să pierdeți controlul.*
  - Acest aparat poate fi utilizat de copiii cu vârsta de peste 8 ani și de către persoane cu capacități fizice, senzoriale sau mentale reduse sau de către persoane lipsite de experiență și cunoștințe dacă acestea au fost supravegheate și instruite cu privire la utilizarea aparatului în condiții de siguranță și înțeleg riscurile pe care le implică.** *Copii nu au voie să se joace cu aparatul. Curățarea și operațiunile de întreținere nu trebuie efectuate de copii fără supraveghere.*
- 2) Securitatea din punct de vedere electric**
- Ștecherile sculelor electrice trebuie să se potrivească în priza de alimentare. Nu modificați ștecherul niciodată și în nici un fel. Nu folosiți ștechere de adaptare pentru sculele electrice cu legare la pământ (împământate).** *Ștecherile nemodificate și prizele de alimentare corespunzătoare vor reduce riscul de electrocutare.*
  - Evitați contactul corporal cu suprafețele împământate, cum ar fi conducte, radiatoare, plite sau frigider.** *Există un risc sporit de electrocutare în cazul în care corpul dumneavoastră este legat la pământ.*
  - Nu expuneți sculele electrice la ploaie sau la umezeală.** *În urma intrării apei într-o sculă electrică va crește riscul de electrocutare.*
  - Nu forțați cablul de alimentare. Nu folosiți niciodată cablul de alimentare pentru transportul, tragerea sau scoaterea din priză a sculei electrice. Țineți cablul de alimentare departe de sursele de căldură, petrol, vărfuri ascuțite sau de piese în mișcare. Cablurile de alimentare deteriorate sau încălcite duc la creșterea riscului de electrocutare.**
  - Atunci când folosiți o sculă electrică în exterior, utilizați un prelungitor corespunzător lucrului în exterior.** *Utilizarea unui prelungitor corespunzător lucrului în exterior reduce riscul de electrocutare.*
  - În cazul în care operarea unei unelte electrice într-un spațiu cu umiditate nu poate fi evitată, utilizați o alimentare cu dispozitiv de protecție la curent rezidual (RCD).** *Utilizarea unui dispozitiv RCD reduce riscul electrocutării.*
- 3) Securitatea personală**
- Atunci când folosiți o sculă electrică fiți concentrat, fiți atent la ceea ce faceți și acționați conform bunului simț. Nu folosiți o sculă electrică atunci când sunteți sub influența drogurilor, alcoolului sau a medicamentelor.** *Un moment de neatenție în timpul utilizării sculelor electrice poate duce la vătămări personale grave.*
  - Utilizați echipamentul de protecție corporală. Folosiți întotdeauna ochelari de protecție.** *Folosirea echipamentelor de protecție conform condițiilor de lucru, ca de exemplu măști de praf, încălțăminte de protecție anti-alunecare, căști de protecție sau antifoane va reduce vătămrile personale.*
  - Evitați pornirea accidentală. Înainte de a introduce scula electrică în priza de alimentare, asigurați-vă că aveți comutatorul de acționare în poziția oPRit (off).** *Transportarea uneltelor electrice ținând degetul pe întrerupător sau alimentarea cu tensiune a uneltelor electrice ce au întrerupătorul în poziția pornit înlesnesc producerea*
  - Înainte de a pune în funcțiune scula electrică, îndepărtați toate penele sau cheile de reglare.** *O cheie sau o pană care au fost lăsate atașate de o parte rotativă a sculei electrice poate duce la vătămări personale.*
  - Nu vă întindeți pentru a ajunge la punctul de lucru.** *Mențineți permanent un contact ferm al piciorului și un echilibru stabil. În acest fel puteți controla mai bine scula electrică în situații neprevăzute.*
  - Îmbrăcați-vă în mod adecvat. Nu purtați haine largi sau bijuterii.** *Părul, hainele și mănușile trebuie menținute departe de părțile în mișcare. Hainele largi, părul și bijuteriile pot fi agățate și prinse de părțile în mișcare.*
  - Dacă dispozitivele sunt construite pentru a fi conectate la echipamente de extragere și colectare a prafului, asigurați-vă că aceste echipamente sunt conectate și funcționează corect.** *Folosirea unor astfel de echipamente poate reduce pericolele legate de praf.*

- h) **Nu lăsați ca obișnuința obținută prin utilizarea frecventă a uneltelor să vă permită să deveniți impasibili și să ignorați principiile de siguranță în utilizarea uneltelor.** *O acțiune neglijentă poate provoca accidente grave într-o fracțiune de secundă.*
- 4) Utilizarea și întreținerea sculei electrice**
- a) **Nu forțați scula electrică. Folosiți scula electrică adecvată operațiunii care trebuie efectuată.** *O sculă electrică adecvată își va efectua mai bine și mai în siguranță sarcina deoarece este folosită la parametrii pentru care a fost proiectată.*
- b) **Nu folosiți scula electrică în cazul în care comutatorul de acționare nu realizează pornirea și oprirea acesteia.** *Orice sculă electrică ce nu poate fi comandată cu ajutorul comutatorului de acționare este periculoasă și trebuie reparată.*
- c) **Înainte de a efectua orice fel de reglaje, schimbări ale accesoriilor sau pe perioada depozitării sculelor electrice deconectați ștecherul de la sursa de energie electrică.** *Astfel de măsuri preventive reduc riscul de pornire accidentală a sculei electrice.*
- d) **Nu depozitați sculele electrice neutilizate la îndemâna copiilor și nu permiteți persoanelor care nu sunt familiare cu sculele electrice sau cu prezentele instrucțiuni să le utilizeze.** *Sculele electrice sunt periculoase atunci când sunt utilizate de către persoane neinstruite.*
- e) **Întrețineți sculele electrice. Verificați alinierea sau prinderea părților în mișcare, verificați componentele sculei pentru a vă asigura că nu sunt sparte și, de asemenea, verificați orice alte situații care ar putea afecta funcționarea sculei electrice.** *Dacă scula electrică se defectează, reparați-o înainte de a o refolosi. Sculele electrice întreținute necorespunzător duc la producerea multor accidente.*
- f) **Mențineți sculele așchietoare ascuțite și curate.** *Sculele așchietoare întreținute corespunzător, având muchiile tăietoare ascuțite, se înțepenesc mai greu și sunt mai ușor de controlat.*
- g) **Utilizați sculele electrice, accesoriile și burghiile etc., în conformitate cu prezentele instrucțiuni și în mod corespunzător tipului de sculă electrică utilizat, ținând seama de condițiile de lucru și de sarcina care trebuie efectuată.** *Utilizarea unor scule electrice pentru operații diferite de cele pentru care acestea au fost proiectate poate duce la situații periculoase.*
- h) **Țineți mânerul și suprafețele de prindere uscate, curate și lipsite de ulei și unsoare.** *Mânere și suprafețele de prindere alunecoase nu permit manipularea și controlul uneltei în de siguranță în situații neașteptate.*
- 5) Service**
- a) **Prevedeți repararea uneltei de lucru de către o persoană calificată, folosind exclusiv piese de schimb identice.** *Astfel, vă asigurați că este păstrată siguranța uneltei electrice.*

## AVERTIZĂRI SUPPLEMENTARE DE SIGURANȚĂ PENTRU ARZĂTORUL DE BURUIENI



**Înainte de a utiliza aparatul, verificați următoarele:**

- Asigurați-vă că tensiunea nominală a arzătorului de buruieni corespunde cu tensiunea de rețea locală.
- Asigurați-vă că cablul de alimentare și fișa de alimentare sunt în stare bună: solide, fără crăpături sau deteriorări.
- Preveniți deteriorarea elementului de încălzire. Nu blocați sau nu blocați fluxul de aer de la gura arzătorului.
- Nu lăsați aparatul nesupravegheat atunci când este pornit.
- Nu utilizați aparatul pentru uscarea părului.
- Nu direcționați fluxul de aer cald spre persoane sau animale.
- Nu utilizați aparatul deasupra apei sau în spații în care se folosesc lichide ușor inflamabile.
- Acest aparat este destinat exclusiv în exterior.
- Asigurați-vă că aparatul este poziționat corect.
- Scoateți aparatul din priză înainte de a-l îndepărta.
- Lăsați aparatul să se răcească înainte de depozitare.
- Nu permiteți ca părțile fierbinți ale aparatului să atingă cablul de alimentare sau alte materiale inflamabile.



**Nu folosiți aparatul pe timp de ploaie sau în condiții de umezeală.**



**Piesa metalică de la gura arzătorului se încălzește în timpul utilizării.** Aveți grijă și nu atingeți piesa metalică de la gura arzătorului în timp ce aparatul este utilizat. Rețineți că gura arzătorului va rămâne fierbinte pentru o perioadă de timp chiar și după ce aparatul a fost oprit.



**Acest aparat funcționează la o temperatură de 600°C fără semne vizibile ale acestei temperaturi (nu există flăcări vizibile).** Fiți atenți la riscul de incendiu sau de arsuri și aveți grijă la jetul de aer fierbinte de la gura arzătorului! Acest curent de aer poate provoca arsuri sau declanșa incendii dacă aparatul nu este manevrat corespunzător.



**Păstrați întotdeauna o distanță de siguranță față de conifere, ace de pin.** Acele de pin reprezintă un pericol de incendiu, deoarece sunt extrem de inflamabile și ușor de aprins de curentul de aer fierbinte de la arzătorul de buruieni.

#### La utilizarea aparatului

- Verificați dacă comutatorul de alimentare este în poziția oprit, marcată cu „0”, înainte de a conecta aparatul la rețeaua electrică.
- Țineți întotdeauna cablul de alimentare la distanță de gura arzătorului de buruieni.
- Țineți copiii și animalele departe de aparat în timpul utilizării acestuia sau când acesta nu s-a răcit complet după o utilizare anterioară.

#### Oprți imediat aparatul atunci când:

- Ștecherul și/sau cablul sunt defecte sau deteriorate.
- Comutatorul este defect.
- Observați un miros sau vedeți fum cauzat de izolația arsă a aparatului.

#### Siguranța electrică

Atunci când folosiți mașini electrice, respectați întotdeauna reglementările de siguranță aplicabile în țara dumneavoastră, pentru a reduce riscul de incendii, electrocutare și rănire personală. Citiți următoarele instrucțiuni de siguranță și, de asemenea, instrucțiunile de siguranță atașate.



**Verificați placa de identificare a aparatului.** Asigurați-vă că sursa de alimentare corespunde tensiunii și frecvenței nominale a aparatului.



**Aparat Clasa II.** Aparatul este dublu izolat, nu este necesar să folosiți prize cu împământare.



**Y:** În cazul în care cablul de alimentare este deteriorat, acesta trebuie înlocuit de către producător, de către agentul de service sau de către persoane calificate în mod similar, pentru a evita pericolele.

## 2. INFORMAȚII CU PRIVIRE LA MAȘINA

#### Domeniul de utilizare

Acest arzător de buruieni este destinat eliminării buruienilor nedorite de pe suprafețe dure, neinflamabile, cum ar fi curțile, aleile și potecile, prin intermediul aerului cald.

Cu ajutorul accesoriului secundar de duză inclus, acest aparat poate fi utilizat și ca brichetă pentru grătar/cărbuni.

#### SPECIFICAȚII TEHNICE

Nr. model	WB503AC
Tensiunea	230 V~
Frecvența rețelei AC	50 Hz
Putere de alimentare	2000W
Greutate	1.2kg
<b>Poziția comutatorului I</b>	
Debit de aer	500 l/min
Temperatura aerului	50°C
<b>Poziția comutatorului I</b>	
Debit de aer	500 l/min
Temperatura aerului	600°C

## DESCRIERE

Numererele din text se refera la diagramele de la paginile 2-4.

### Fig. A

1. Duză pentru arderea buruienilor
2. Duză de brichetă pentru grătar
3. Arzător de buruieni
4. Ieșire a aerului cald
5. Suport pliabil
6. Mâner telescopic
7. Dispozitiv de fixare a cablului

## 3. ASAMBLAREA

### Domeniul de utilizare

- Eliminarea buruienilor de pe suprafețele dure, neinflamabile, cum ar fi curțile, aleile și potecile.
- Aprinderea unui grătar sau a unui foc de vatră

### Asamblare (Fig. B, C1, C2)

- Introduceți mânerul telescopic (6) în corpul principal. Respectați săgețile pentru orientarea corectă a mânerului (fig. B).
- Lungimea mânerului telescopic poate fi reglată.
- Rotiți mânerul în sens invers acelor de ceasornic pentru a-l elibera și reglați mânerul telescopic la lungimea dorită (fig. C1).
- Fixați poziția mânerului prin rotirea acestuia în sensul acelor de ceasornic (fig. C2).
- Înfășurați cablul de alimentare prin dispozitivul de fixare a cablului (7) de pe mâner

### Operațiune - Eliminarea buruienilor (Fig. E1, F)

- Verificați dacă comutatorul de rețea se află în poziția „0” înainte de a conecta aparatul la priză de curent electric.
- Instalați duza de ardere a buruienilor (1) și verificați dacă duza nu este blocată înainte de a porni aparatul (fig. E1).

Asigurați-vă că gura arzătorului de buruieni s-a răcit înainte de a schimba duza. Duza metalică și gura arzătorului vor rămâne fierbinți pentru o perioadă de timp chiar și după ce aparatul a fost oprit.

- Țineți cablul de alimentare întotdeauna departe de fluxul de aer cald și de gura arzătorului.
- Puneți comutatorul de rețea în poziția de temperatură înaltă „II” pentru a porni aparatul.

- Lăsați aparatul aproximativ 45 de secunde pentru a ajunge la temperatura de funcționare.
- Pentru a elimina buruienile, țineți duza arzătorului de buruieni deasupra buruienilor și rotiți încet în jurul buruienilor timp de aproximativ 5 secunde (fig. F).
- Structura celulară a buruienilor va fi distrusă în aceste 5 secunde.
- După încălzire, buruiana va muri și poate fi lăsată să se degradeze în mod natural în zilele următoare.

Nu este necesar să ardeți complet buruienile. Încercarea de a face acest lucru oricum va dura mai mult decât cele 5 secunde de încălzire recomandate. Încălzirea îndelungată poate lăsa urme vizibile de arsură pe pavaj și va încetini inutil progresul lucrărilor.

Nu utilizați acest aparat pe iarbă uscată sau pe alte suprafețe inflamabile. Nu se utilizează în perioadele de secetă sau în condiții meteorologice nefavorabile.

### Funcționare - Aprinderea grătarului/a cărbunelui (Fig. E2, G)

- Verificați dacă comutatorul de rețea se află în poziția „0” înainte de a conecta aparatul la priză de curent electric.
- Instalați duza brichetei (2) și verificați dacă duza nu este blocată înainte de a porni aparatul (fig. E2).

Asigurați-vă că gura arzătorului de buruieni s-a răcit înainte de a schimba duza. Duza metalică și gura arzătorului vor rămâne fierbinți pentru o perioadă de timp chiar și după ce aparatul a fost oprit.

- Țineți cablul de alimentare întotdeauna departe de fluxul de aer cald și de gura arzătorului.
- Așezați duza sub cărbunele sau lemnul care urmează să fie aprins. Asigurați-vă că aparatul este bine poziționat (fig. G).
- Puneți comutatorul de rețea în poziția de temperatură înaltă „II” pentru a porni aparatul.
- Lăsați aparatul aproximativ 45 de secunde pentru a ajunge la temperatura de funcționare.
- Respectați funcționarea și nu lăsați aparatul nesupravegheat.
- Scoateți aparatul de sub cărbuni sau lemne odată ce cărbunii sau lemnele încep să ardă.
- Continuați să suflați aer cald în cărbunele sau lemnul incandescent, de la o distanță de 5-10 cm, până când acesta arde bine.

#### După utilizare

- Puneți întrerupătorul de rețea în poziția de temperatură scăzută "1" pentru a răci aparatul.
- Lăsați aparatul să funcționeze în acest mod timp de cel puțin 1 minut.
- Puneți comutatorul de rețea în poziția „0” pentru a opri aparatul.
- Rețineți că în acest moment aparatul nu s-a răcit încă complet.

Lăsați aparatul să se răcească suficient timp după utilizare. Aparatul va rămâne fierbinte pentru o perioadă de timp după ce a fost complet oprit. Asigurați-vă că aparatul s-a răcit complet înainte de a-l depozita.

## 4. ÎNȚEȚINERE

Deconectați întotdeauna aparatul de la rețeaua electrică și asigurați-vă că s-a răcit complet înainte de a efectua orice inspecție sau curățare.

- Nu folosiți niciodată apă sau alte lichide pentru a curăța părțile electrice ale arzătorului de buruieni.
- Nu folosiți niciodată lichide ușor inflamabile pentru curățarea arzătorului, în special pentru gura arzătorului.
- Partea exterioară a arzătorului de buruieni poate fi curățată cu o cârpă umedă.
- Întreținerea regulată a arzătorului de buruieni previne problemele inutile. Păstrați fantele de ventilație ale aparatului curate și libere de resturi pentru a preveni supraîncălzirea.

#### Remediarea problemelor

În cazul în care arzătorul de buruieni nu funcționează corect, vă rugăm să consultați mai jos câteva dintre cauzele posibile și soluțiile respective:

- Motorul se supraîncălzeste.
- Fantele de ventilație ale arzătorului de buruieni sunt înfundate.



*Deconectați aparatul de la rețeaua electrică și curățați fantele de ventilație de murdărie și resturi.*

- Arzătorul de buruieni nu pornește când este pornit.
- Întrerupere în circuitul electric.



*Verificați cablul de alimentare și fișa de alimentare.*

- Comutatorul este defect.



*Deconectați aparatul de la rețeaua electrică, deoarece există un posibil pericol de incendiu.*



*Solicitați repararea arzătorului de buruieni de către reprezentantul local.*

- Motorul nu funcționează, dar arzătorul de buruieni se încălzește.
- Întrerupere în circuitul electric.



*Opriti imediat aparatul și deconectați-l de la rețeaua electrică, deoarece există pericol de incendiu!*



*Solicitați repararea arzătorului de buruieni de către reprezentantul local.*

## MEDIU



*Aparatele electrice sau electronice deteriorate și/sau defecte trebuie colectate în locurile de reciclare corespunzătoare.*

#### Numai pentru țările din CE

Nu aruncați echipamentele acționate electric împreună cu gunoiul menajer. Conform Indicației europene 2012/19/EU pentru echipamente electrice și electronice uzate și a implementării sale la nivel național, echipamentele acționate electric scoase din uz trebuie colectate separat și evacuate într-o manieră ecologică.

## GARANȚIE

Produsele VONROC sunt realizate la cele mai înalte standarde de calitate și sunt garantate în privința materialelor și a manoperei pentru întreaga perioadă de utilizare în garanție, începând cu data achiziției. În cazul în care produsul se defectează în timpul perioadei de utilizare, contactați direct VONROC.

Următoarele circumstanțe sunt excluse de la această garanție:

- Reparațiile sau modificările care realizate sau care s-au încercat a fi efectuate de centre de service neautorizate.
- Uzura în condiții normale.
- Unealta care a fost abuzată, utilizată într-un mod neglijent sau întreținută în mod inadecvat.
- Folosirea unor piese de schimb neoriginale.

Aceasta acoperă garanția companiei, explicită sau implicită. Nu există alte garanții explicite sau implicite care să se extindă dincolo de cele indicate aici, incluzând garanțiile, vandabilitatea sau adecvarea pentru un anumit scop. În nicio situație, VONROC nu este responsabil pentru daunele incidentale sau consecvențiale. Reparațiile efectuate de reprezentant trebuie să fie limitate la reparațiile sau la înlocuirea unităților sau a pieselor neconforme.

**Produsul și manualul de utilizare pot suferi modificări. Specificațiile se pot modifica fără notificare prealabilă**









**DECLARATION OF CONFORMITY  
WB503AC - WEED BURNER**

- (EN) We declare under our sole responsibility that this product is in conformity with directive 2011/65/EU of the European parliament and of the council of 8 June 2011 on the restriction of the use of certain hazardous substances in electrical and electronic equipment in conformity and accordance with the following standards and regulations:
- (DE) Der Hersteller erklärt eigenverantwortlich, dass dieses Produkt der Richtlinie 2011/65/EU des Europäischen Parlaments und des Rates vom 8. Juni 2011 über die Einschränkung der Anwendung von bestimmten gefährlichen Stoffen in elektrischen und elektronischen Geräten entspricht. den folgenden Standards und Vorschriften entspricht:
- (NL) Wij verklaren onder onze volledige verantwoordelijkheid dat dit product voldoet aan de conform Richtlijn 2011/65/EU van het Europees Parlement en de Raad van 8 juni 2011 betreffende beperking van het gebruik van bepaalde gevaarlijke stoffen in elektrische en elektronische apparatuur en in overeenstemming is met de volgende standaarden en reguleringen:
- (FR) Nous déclarons sous notre seule responsabilité que ce produit est conforme aux standards et directives suivants: est conforme à la Directive 2011/65/EU du Parlement Européen et du Conseil du 8 juin 2011 concernant la limitation d'usage de certaines substances dangereuses dans l'équipement électrique et électronique.
- (ES) Declaramos bajo nuestra exclusiva responsabilidad que este producto cumple con las siguientes normas y estándares de funcionamiento: se encuentra conforme con la Directiva 2011/65/UE del Parlamento Europeo y del Consejo de 8 de junio de 2011 sobre la restricción del uso de determinadas sustancias peligrosas en los equipos eléctricos y electrónicos.
- (IT) Dichiariamo, sotto la nostra responsabilità, che questo prodotto è conforme alle normative e ai regolamenti seguenti: è conforme alla Direttiva 2011/65/UE del Parlamento Europeo e del Consiglio dell'8 giugno 2011 sulla limitazione dell'uso di determinate sostanze pericolose nelle apparecchiature elettriche ed elettroniche.
- (SV) Vi garanterar på eget ansvar att denna produkt uppfyller och följer följande standarder och bestämmelser: uppfyller direktiv 2011/65/EU från Europeiska parlamentet och EG-rådet från den 8 juni 2011 om begränsningen av användning av farliga substanser i elektrisk och elektronisk utrustning.
- (DA) Vi erklærer under eget ansvar, at dette produkt er i overensstemmelse med følgende standarder og bestemmelser: er i overensstemmelse med direktiv 2011/65/EU fra Europa-Parlamentet og Rådet af 8. juni 2011 om begrænsning af anvendelsen af visse farlige stoffer i elektrisk og elektronisk udstyr.
- (PL) Deklarujemy na własną odpowiedzialność, że ten produkt spełnia wymogi zawarte w następujących normach i przepisach: jest zgodny z Dyrektywą 2011/65/UE Parlamentu Europejskiego i Rady z dnia 8 czerwca 2011 r. w sprawie ograniczenia stosowania niektórych niebezpiecznych substancji w sprzęcie elektrycznym i elektronicznym.
- (RO) Declaram prin aceasta cu răspunderea deplină că produsul acesta este în conformitate cu următoarele standarde sau directive: este în conformitate cu Directiva 2011/65/UE a Parlamentului European și a Consiliului din 8 iunie 2011 cu privire la interzicerea utilizării anumitor substanțe periculoase la echipamentele electrice și electronice.

**EN 55014-1, EN 55014-2, EN61000-3-2, EN61000-3-3, EN60335-1, EN 60335-2-45, EN62233, 2011/65/EU, 2012/19/EU, 2014/30/EU, 2014/35/EU**

Zwolle, 01-11-2021

H.G.F Rosberg  
CEO

**VONROC • Lingenstraat 6 • 8028 PM Zwolle • The Netherlands**



**VONROC®**  
BUILD YOUR FUTURE

©2021 VONROC  
[WWW.VONROC.COM](http://WWW.VONROC.COM)

2111-04