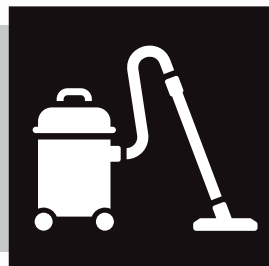


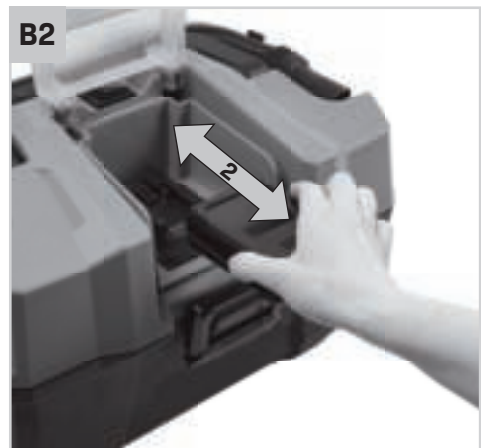
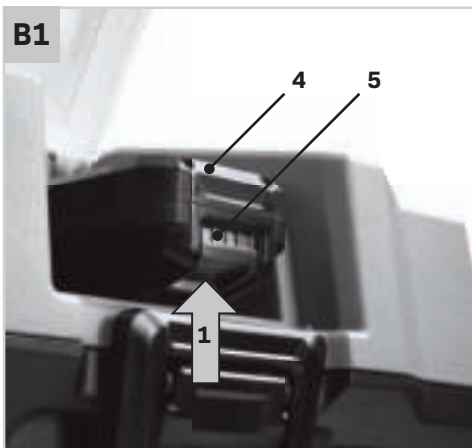
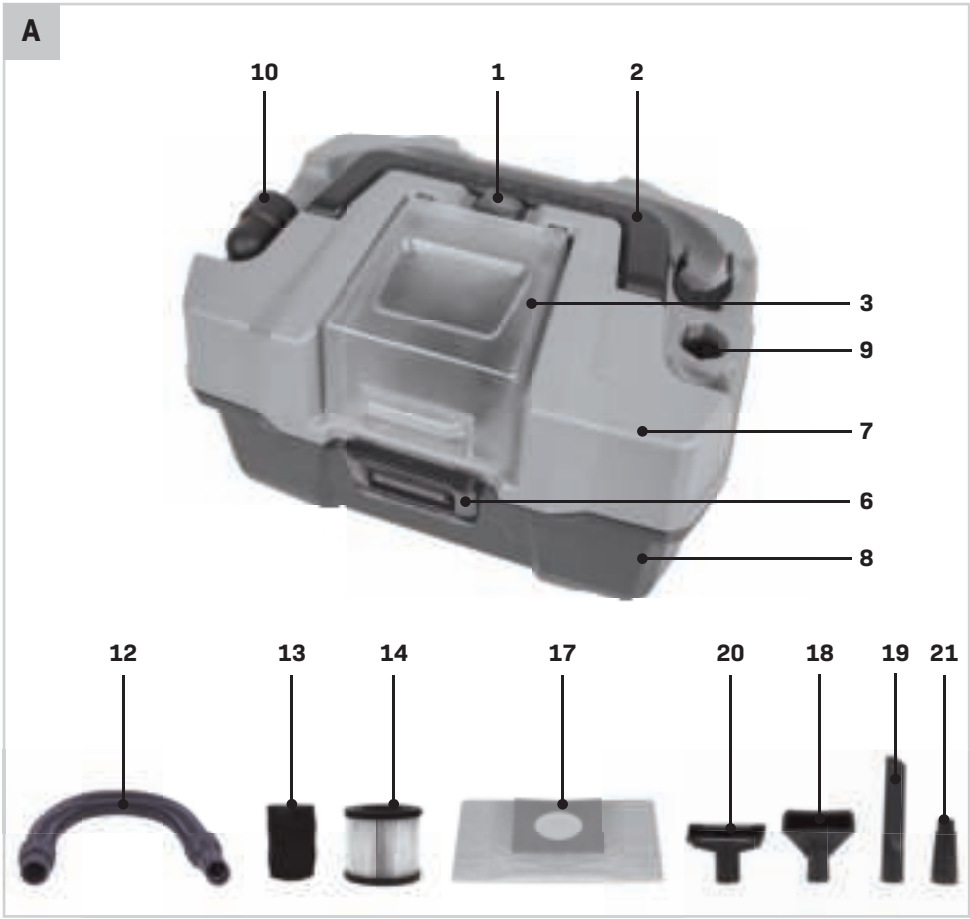


VONROC®
BUILD YOUR FUTURE

**COMPACT BOX VACUUM CLEANER 20V
VC508DC / S_VC508DC
S2_VC508DC / S3_VC508DC**



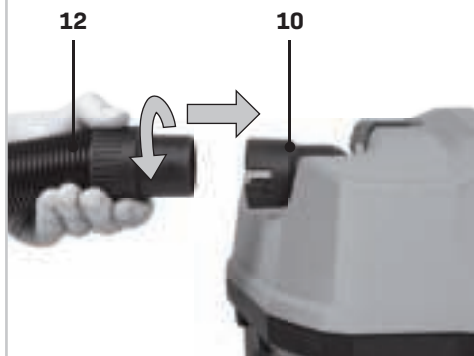
EN Original Instructions	06	HU Eredeti használati utasítás fordítása	93
DE Übersetzung Der Originalbetriebsanleitung	12	CS Překlad původního návodu k používání	99
NL Vertaling van de oorspronkelijke gebruiksaanwijzing	19		
FR Traduction de la notice originale	26		
ES Traducción del manual original	33		
IT Traduzione delle istruzioni originali	40		
SV Översättning av bruksanvisning i original	47		
FI Alkuperäisten ohjeiden käännös	53		
NO Oversatt fra original veiledning	59		
DA Oversættelse af den originale brugsanvisning	65		
PL Tłumaczenie instrukcji oryginalnej	72		
RO Traducere a instrucțiunilor originale	79		
PT Tradução do manual original	86		



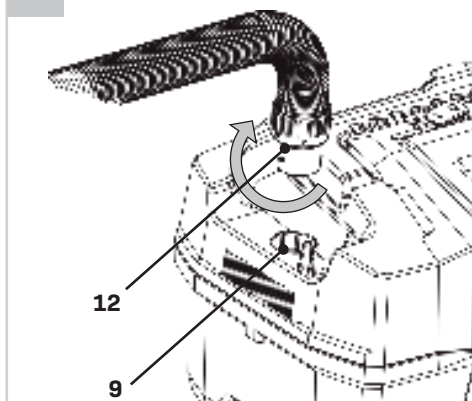
C



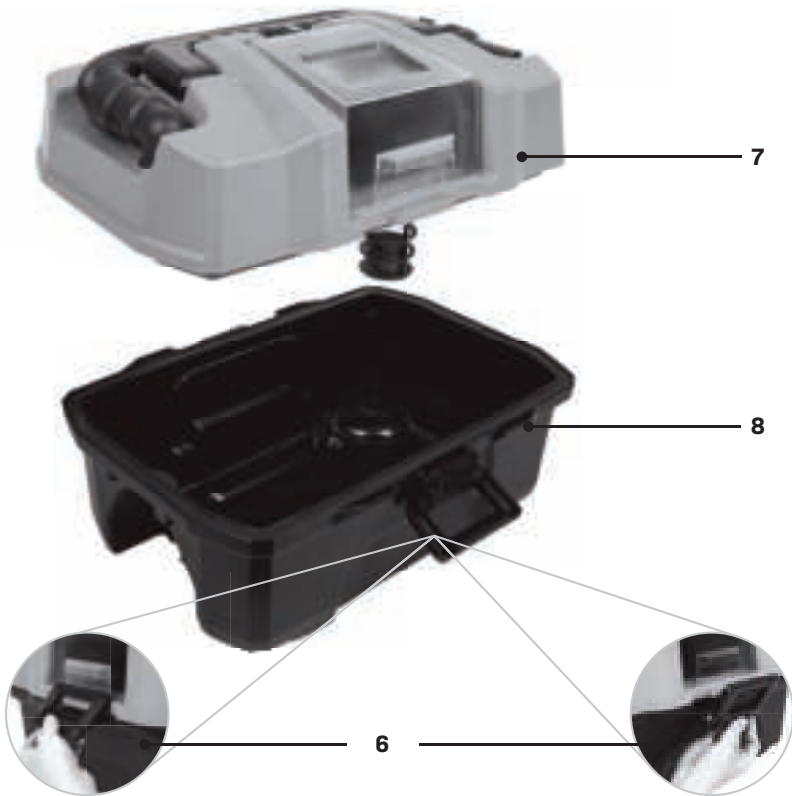
D1



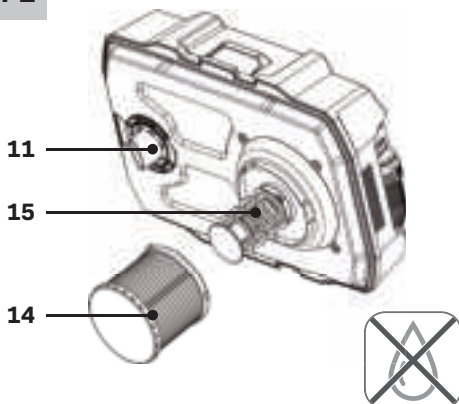
D2



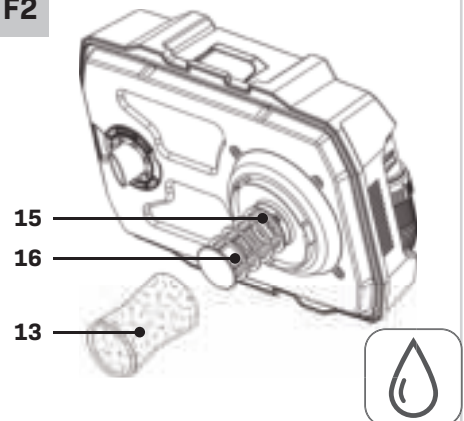
E



F1



F2





1. SAFETY INSTRUCTIONS

Read the enclosed safety warnings, the additional safety warnings and the instructions. Failure to follow the safety warnings and the instructions may result in electric shock, fire and/or serious injury. Save the safety warnings and the instructions for future reference.

The following symbols are used in the user manual or on the product:



Read the user manual.



Indoor use only



Time-lag miniature fuse-link.



Do not throw the battery into fire.



Do not throw the battery into water.



Do not dispose of the product in unsuitable containers.



Separate collection for Li-ion battery.



Class II machine - Double insulation - You don't need any earthed plug.



The product is in accordance with the applicable safety standards in the European directives.

SAFETY NOTES

THIS APPLIANCE CAN BE USED BY CHILDREN AGED FROM 8 YEARS AND ABOVE AND PERSONS WITH REDUCED PHYSICAL, SENSORY OR MENTAL CAPABILITIES OR LACK OF EXPERIENCE AND KNOWLEDGE IF THEY HAVE BEEN GIVEN SUPERVISION OR INSTRUCTION CONCERNING USE OF THE APPLIANCE IN A SAFE WAY AND UNDERSTAND THE HAZARDS INVOLVED. CHILDREN SHALL NOT PLAY WITH THE APPLIANCE. CLEANING AND USER MAINTENANCE SHALL NOT BE MADE BY CHILDREN WITHOUT SUPERVISION.

- **Do not vacuum materials that are harmful to one's health, e. g. dust from beech or oak wood, masonry dust, asbestos.** These materials

are considered carcinogenic. **Inform yourself about the valid regulations/laws for your country concerning the handling of materials that are hazardous to one's health.**

- **Use the vacuum cleaner only when you fully understand and can perform all functions without limitation, or have received appropriate instructions.** A thorough introduction reduces operating errors and injuries.
- **Never use the wet/dry vacuum without a filter. Always ensure that the filters are securely seated.**
- **The vacuum cleaner may only be stored indoors.** The penetration of rain or moisture into the vacuum cleaner lid increases the risk of an electric shock.
- Do not vacuum hot or burning dusts, and in rooms with an explosion hazard. Dusts can ignite or explode.
- Remove the battery pack from the vacuum cleaner before maintaining or cleaning, making any adjustments, changing accessories or placing the vacuum cleaner aside. This safety measure prevents accidental starting of the vacuum cleaner.
- Provide for good ventilation at the working place.
- Have the vacuum cleaner repaired only through qualified specialists and only using original spare parts. This ensures that the safety of your vacuum cleaner is maintained.
- Do not clean the vacuum cleaner with a water jet pointed directly at it. The penetration of water into the vacuum cleaner lid increases the risk of an electric shock.
- When the vacuum cleaner is not in use, store it securely.
- The storage place must be dry and lockable. This prevents the vacuum cleaner being damaged when it is stored or being used by inexperienced people.
- The device is not suitable for commercial or industrial use.
 - Do not use for vacuuming up damp substances or liquids.
 - Do not use for vacuuming up ash or soot.
 - Do not use for vacuuming up building rubble.

SAFETY WARNINGS FOR BATTERY

- a) **Do not open the battery.** Danger of short-circuiting.

- b) **Protect the battery against heat, e. g., against continuous intense sunlight, fire, water, and moisture.** Danger of explosion.
- c) **In case of damage and improper use of the battery, vapours may be emitted. Ventilate the area and seek medical help in case of complaints.** The vapours can irritate the respiratory system.
- d) **Use the battery only in conjunction with your Vonroc product.** This measure alone protects the battery against dangerous overload.
- e) **The battery can be damaged by pointed objects such as nails or screwdrivers or by force applied externally.** An internal short circuit can occur and the battery can burn, smoke, explode or overheat.

SAFETY WARNINGS FOR CHARGER

Intended use

Charge only CD801AA and CD803AA type rechargeable Battery packs with the charger. Other types of batteries may burst causing personal injury and damage.

- a) **The appliance is not to be used by persons (including children) with reduced physical, sensory or mental capabilities, or lack of experience and knowledge, unless they have been given supervision or instruction.**
- b) **Children being supervised not to play with the appliance.**
- c) **Do not recharging non-rechargeable batteries!**
- d) **During charging, batteries must be placed in the well ventilated area!**

2. MACHINE INFORMATION

Intended use

The vacuum cleaner is suitable for wet and dry vacuuming with the aid of the accompanying filter. It can also be used as handheld dust extractor for power tools. The vacuum cleaner is not intended for vacuuming flammable, explosive or hazardous dusts. The device is not suitable for commercial or industrial use.

TECHNICAL SPECIFICATIONS




This manual has been drawn up for different sets / article numbers. Check the corresponding article number in below specifications table for the correct composition and contents of your set.


Model No.	Batteries included	Chargers included
VC508DC	-	-
S_VC508DC	CD801AA	CD802AA
S2_VC508DC	2 x CD801AA	CD802AA
S3_VC508DC	CD803AA	CD802AA

Machine information	
Voltage battery	20V
Suction force	≥10kPA
IP Class	IPX4
Noise	75dB(A)
Working time (2.0Ah / 4.0Ah)	15min / 30min
Container capacity approx.	15L
Useful volume approx.	10L
Filter – dry	HEPA filter
Filter – wet	Foam filter
Hose length	1,68m
Hose diameter	∅ 40mm
Weight approx. (without battery and accessoires)	3.5kg
Recommended dust collection bag	VC814AA
Recommended HEPA filter	VC813AA

Optional accessory	
Floor accessory set (tube, floor nozzle and wheels)	VC812AA

Model No.	CD801AA
Battery Type	Lithium-Ion
Voltage	20V
Capacity	2.0 Ah
Recommended charger	CD802AA
Weight	0.3 kg

Model No.	CD802AA
Charger input	220-240V, 50Hz 0.4A
Charger output	21V  2.5A
Charging time 2Ah battery	60 minutes
Charging time 4Ah battery	120 minutes
Recommended batteries	CD801AA, CD803AA
Weight	0.36 kg

Model No.	CD803AA
Battery Type	Lithium-Ion
Voltage	20V 
Capacity	4.0 Ah
Recommended charger	CD802AA
Weight	0.65 kg

Only use the following batteries of the VONROC VPOWER 20V battery platform. Using any other batteries could cause serious injury or damage the tool.
 CD801AA 20V, 2Ah Lithium-Ion
 CD803AA 20V, 4Ah Lithium-Ion

The following charger of the can be used to charge these batteries.
 CD802AA Quick charger

The batteries of the VONROC VPOWER 20V battery platform are interchangeable with all the VONROC VPOWER 20V battery platform tools.

DESCRIPTION

The numbers in the text refer to the diagrams on page 2-3.

1. On/Off switch
2. Carrying handle
3. Cover for battery
4. Battery
5. Battery unlock button
6. Locking clamp
7. Top section
8. Container
9. Blowing port
10. Vacuum port
11. Intake port
12. Hose
13. Foam filter
14. HEPA filter

15. Filter cage
16. Float
17. Dust collection bag
18. Triangular nozzle
19. Crevice nozzle
20. Car vacuum tool
21. Power tool adapter
22. Battery LED indicators button
23. Battery LED indicators
24. Charger
25. Charger LED indicators

3. ASSEMBLY



Before any work on the power tool, remove the battery.



The battery must be charged before first use.

Inserting the battery into the machine (Fig. B1, B2)



Ensure that the exterior of the battery is clean and dry before connecting to the charger or machine.

1. Insert the battery (4) into the base of the machine as shown in Fig. B1, B2.
2. Push the battery further forward until it clicks into place.

Removing the battery from the machine (Fig. B1, B2)

1. Push the battery unlock button (5).
2. Pull the battery out of the machine like shown in Fig. B1, B2.

Checking the battery charging status (Fig. C)

- To check the battery charge status, push the button (22) on battery shortly.
- The battery has 3 lights indicating the charge level, the more lights that burn, the more charge the battery has left.
- When the lights are not burning it means the battery is empty and must be charged immediately.

Charging the battery with the charger (Fig. C)

1. Take the battery (4) from the machine.
2. Turn the battery (4) to upside down position and slide it onto the charger (24) as shown in Fig. C.
3. Push the battery until it is fully pushed into the slot.


4. Plug the charger plug into an electrical outlet and wait for a while. The LED indicators on the charger (25) will lighten up and show the charger status.

The charger has 2 LED indicators (25) which indicate the status of the charging process:

Red LED Status	Green LED status	Charger status
Off	Off	No power
Off	On	Standby mode: - No battery is inserted or, - Battery inserted but charging has finished
On	Off	Battery charging in progress

- Fully charging the 2Ah battery may take up to 60 minutes.
- Fully charging the 4Ah battery may take up to 120 minutes.

After the battery is fully charged remove the charger plug from the outlet and remove the battery from the charger.

 *When the machine is not being used over a longer period of time it is best to store the battery in charged condition.*

Assembly of the filter (Fig. E - G)

1. Remove the top section (7) of the container (8) as shown in Fig. E.
2. Assemble the filter. Ensure to mount the correct filter, depending on the application:
 - For dry vacuum cleaning, carefully slide the HEPA filter (14) over the filter cage (15) making sure the entire cage (15) is covered as shown in Fig. F1.
 - For wet vacuum cleaning, carefully slide the foam filter (13) over the filter cage (15) making sure the entire cage (15) is covered as shown in Fig. F2.
3. Place the top section (7) on the container (8) as shown in Fig. E.

Connecting the hose (Fig. D1, D2).

- For vacuuming (Fig. D1), connect the suction hose (12) to the vacuum port (10).
- For blowing (Fig. D2), connect the suction hose (12) to the blowing port (9).

Connect the desired nozzle.

Triangular nozzle (18)

The triangular nozzle is designed for domestic wet and dry vacuuming in, for example, the house, work room, or garage.

Crevice nozzle (19)

The crevice nozzle is designed for domestic wet and dry vacuuming, edges and other areas that are difficult to access.

Car vacuum tool (20)

The brush is designed to vacuuming solids from small areas. For example from car seats.

Power tool adapter (21)

Adapter for connecting suction hose with a power tool.

4. OPERATION



If the vacuum cleaner accidentally tips over, the shut-off float (16) mechanism may cover the motor vacuum port and stop the suction. If this happens, simply stand the cleaner upright and turn it off until the float (16) returns to its normal position.



Do not vacuum without a filter!

Switching the machine on/off

- Press the power switch (1) into the “ON/I” position to start your vacuum cleaner.
- Press the power switch (1) into the “OFF/O” position to switch off your vacuum cleaner.

Dry vacuuming (Fig. D1, G)



Clean the HEPA filter (14) regularly to maintain the suction power.



To avoid the HEPA filter (14) becoming clogged, we recommend the additional use of a dust collection bag (17).



Clogged dust collection bag (17) can burst. -therefore make sure to replace the dust collection bag in a timely manner!

1. Switch off (1) the machine and remove the battery.
2. Unlock the locking clamp (6) and remove the top section (7).
3. Before vacuuming, remove all dirt and debris from the container (8).
4. Carefully slide HEPA filter (14) down over the filter cage (15) making sure the whole cage is covered as shown in Fig. F1.
5. For vacuuming with dust collection bag (17):
 - Hold the cardboard collar tightly and slide the rubber protective element as far as possible onto the intake port (11) as shown in Fig. G.
 - When everything is in place, unfold the bag (17) out and position it around the inside walls of the container (8).
6. Reattach the top section (7) again and lock the locking clamp (6).
7. Insert one end of the hose (12) into the vacuuming port (10). Fully unwind the suction hose (12).

For vacuuming:

8. Insert the battery.
9. Press the power switch (1) into the "ON/I" position to start your vacuum cleaner.
10. The machine now is ready to use for dry vacuum cleaning.
11. Press the power switch (1) into the "OFF/O" position to switch off your vacuum cleaner.

For working with power tools:

8. Adapt the power tool adapter (21) to the dust extraction outlet of the power tool. Using a knife if necessary.
9. Connect the power tool adapter (21) to the hose (12) and connect it to the power tool dust extraction outlet.
11. Insert the battery.
12. Press the power switch (1) into the "ON/I" position to start your vacuum cleaner.
13. The machine now is ready to use for dry vacuum cleaning.
14. Press the power switch (1) into the "OFF/O" position to switch off your vacuum cleaner.

Wet vacuuming (Fig. F2)



The vacuum cleaner is equipped with a float (16). The suction power decreases when the maximum filling level is reached. Switch the vacuum cleaner off (1) immediately. Empty the container (8).



Clean the float (16) at regular intervals, and check it for damage. Otherwise, its function can be impaired.



Never reach into the water to be suctioned up. Danger of electric shock.



Immediately switch (1) the machine off if foam forms or liquids escape!



Do not use a dust collection bag (17)!

1. Press the power switch (1) into the "OFF/O" position and remove the battery.
2. Unlock the locking clamp (6) and remove the top section (7).
3. Before wet vacuuming, remove the dust collection bag (17), the HEPA filter (14) and remove all dirt and debris from the container (8).
4. Carefully slide foam filter (13) down over the filter cage (15) making sure the whole cage is covered as shown in Fig. F2.
5. Reattach the top section (7) again and lock the locking clamp (6).
6. Insert one end of the hose (12) into the vacuuming port (10). Fully unwind the suction hose (12).
7. Insert the battery.
8. Press the power switch (1) into the "ON/I" position to start your vacuum cleaner.
9. The machine now is ready for wet vacuum cleaning.
10. Press the power switch (1) into the "OFF/O" position to switch off your vacuum cleaner.
11. Raise the hose (12) so that the liquids drains into the container (8).
12. Empty the container (8) immediately after suction cleaning because it is not designed to store liquids.

Blow function (Fig. D2)



Operation without the use of a filter is recommended.



Remove all dirt and debris from the container (8) before you use the blow function.

Your vacuum cleaner is equipped with a blowing function. It can be used to blow dust and debris out of garages or off patios and driveways. We recommend using the crevice nozzle (19) for stronger airflow.

1. Press the power switch (1) into the "OFF/0" position and remove the battery.
2. Unlock the locking clamp (6) and remove the top section (7).
3. Before blowing, remove the dust collection bag (17), the filter (13, 14) and remove all dirt and debris from the container (8).
4. Reattach the top section (7) again and lock the locking clamp (6).
5. Insert one end of the hose (12) into the blowing port (9) at the rear of the machine. Fully unwind the suction hose (12).
6. Insert the battery (4).
7. Press the power switch (1) into the "ON/I" position to start your vacuum cleaner.
8. The machine is now ready for blowing dust and debris.
9. Press the power switch (1) into the "OFF/0" position to switch off your vacuum cleaner.

Finish operation

1. Press the power switch (1) into the "OFF/0" position to switch off your vacuum cleaner. Remove battery.
2. Remove the top section (7) and empty the container (8).
3. Clean the machine with a soft cloth and store in a dry room.

5. MAINTENANCE



Before cleaning and maintenance, always switch off the machine and remove the battery from the machine.

Clean the machine casings regularly with a soft cloth, preferably after each use. Make sure that the ventilation openings are free of dust and dirt. Remove very persistent dirt using a soft cloth moistened with soapsuds. Do not use any solvents such as gasoline, alcohol, ammonia, etc. Chemicals such as these will damage the synthetic components.

Container

Empty the container (8) immediately after suction cleaning because it is not designed to store liquids.

1. Remove the top section (6) and empty the container (8).
2. Clean the machine with a soft cloth.

Filters



For optimal performance it is recommended to regularly change the filters (13, 14) depending on level of use.

Hepa filter:

1. Carefully remove HEPA filter (14).
2. Clean the surface of the filter with a brush.
3. Wash the filters gently with water under 40 degrees.
4. Allow filter to air dry before installing and using again.
5. Re-install the filter.

Foam filter:

1. Carefully remove foam filter (13).
2. Wash the filters gently with water under 40 degrees.
3. Allow filter to air dry before installing and using again.
4. Re-install the filter.

Float and filter cage

Clean the float (16) and filter cage (15) regularly with a soft cloth, and check it for damage. Otherwise, its function can be impaired.

ENVIRONMENT



Faulty and/or discarded electrical or electronic apparatus have to be collected at the appropriate recycling locations.

Only for EC countries

Do not dispose of power tools into domestic waste. According to the European Guideline 2012/19/EU for Waste Electrical and Electronic Equipment and its implementation into national right, power tools that are no longer usable must be collected separately and disposed of in an environmentally friendly way.

WARRANTY

VONROC products are developed to the highest quality standards and are guaranteed free of defects in both materials and workmanship for the period lawfully stipulated starting from the date of original purchase. Should the product develop any failure during this period due to defective material and/or workmanship then contact VONROC directly.

The following circumstances are excluded from this guarantee:

- Repairs and or alterations have been made or attempted to the machine by unauthorized service centers;
- Normal wear and tear;
- The tool has been abused, misused or improperly maintained;
- Non-original spare parts have been used.

This constitutes the sole warranty made by company either expressed or implied. There are no other warranties expressed or implied which extend beyond the face hereof, herein, including the implied warranties of merchantability and fitness for a particular purpose. In no event shall VONROC be liable for any incidental or consequential damages. The dealers remedies shall be limited to repair or replacement of nonconforming units or parts.

The product and the user manual are subject to change. Specifications can be changed without further notice.

1. SICHERHEITSHINWEISE

Lesen Sie die beigelegten Sicherheitswarnungen, die zusätzlichen Sicherheitswarnungen und die Anweisungen. Die Nichteinhaltung der Sicherheitswarnungen und der Anweisungen kann in einem Stromschlag, Brand und/oder in schweren Verletzungen resultieren. Bewahren Sie die Sicherheitswarnungen und Anweisungen für künftige Referenzzwecke auf.

Die folgenden Symbole werden im Benutzerhandbuch oder auf dem Produkt verwendet:



Lesen Sie das Benutzerhandbuch.



Nur für den Innengebrauch



Zeitverzögerter Miniatur-Sicherungseinsatz.



Werfen Sie den Akku nicht ins Feuer.



Werfen Sie den Akku nicht ins Wasser.



Das Produkt nicht in ungeeigneten Behältern entsorgen.



Li-Ionen-Akkus müssen separat entsorgt werden.



Werkzeugs/Geräts entspricht. Werkzeug/ Gerät der Schutzklasse II - schutzisoliert - kein Schutzkontaktanschluss erforderlich



Das Produkt entspricht den geltenden Sicherheitsstandards in den europäischen Richtlinien.

SICHERHEITSHINWEISE

DIESES GERÄT DARF VON KINDERN AB 8 JAHREN UND PERSONEN MIT EINGESCHRÄNKTEN KÖRPERLICHEN, SENSORISCHEN ODER GEISTIGEN FÄHIGKEITEN ODER FEHLENDER ERFAHRUNG UND KENNTNISSEN BENUTZT WERDEN, WENN SIE IN SICHERER WEISE BEAUFSICHTIGT ODER EINGEWIESEN WURDEN UND DIE DAMIT VERBUNDENEN GEFAHREN VERSTEHEN. KINDER DÜRFEN NICHT MIT DEM GERÄT SPIELEN. DIE REINIGUNG UND PFLEGE DURCH DEN BENUTZER DARF VON KINDERN NICHT OHNE AUFSICHT DURCHGEFÜHRT WERDEN.

- **Gesundheitsschädliche Materialien, z. B. Buchen- oder Eichenholzstaub, Mauerwerkstaub, Asbest, dürfen nicht aufgesaugt werden.** Diese Materialien gelten als krebserregend. **Informieren Sie sich über die für Ihr Land gültigen Vorschriften/Gesetze für den Umgang mit gesundheitsgefährdenden Stoffen.**
- **Benutzen Sie den Staubsauger nur, wenn Sie alle Funktionen uneingeschränkt verstehen und ausführen können oder entsprechende Anweisungen erhalten haben.** Eine gründliche Einführung in das Gerät reduziert Bedienungsfehler und Verletzungen.
- **Benutzen Sie den Nass-/Trockensauger nie ohne Filter. Achten Sie immer darauf, dass die Filter richtig sitzen.**
- **Der Staubsauger darf nur in Innenräumen gelagert werden.** Das Eindringen von Regen oder Feuchtigkeit in das Staubsaugergehäuse erhöht das Stromschlagrisiko.
- Saugen Sie keine heißen oder brennenden Stäube auf und saugen Sie nicht in explosionsgefährdeten Bereichen. Stäube können sich entzünden oder explodieren.
- Nehmen Sie den Akkupack aus dem Staubsauger heraus, bevor Sie den Staubsauger warten oder reinigen, Einstellungen vornehmen, Zubehörteile wechseln oder den Staubsauger aufbewahren. Diese Sicherheitsmaßnahme verhindert ein ungewolltes Starten des Staubsaugers.
- Sorgen Sie für eine gute Belüftung des Arbeitsplatzes.
- Lassen Sie den Staubsauger nur von Fachleuten und nur mit Originalersatzteilen reparieren. Das stellt sicher, dass die Sicherheit des Staubsaugers gewahrt bleibt.
- Reinigen Sie den Staubsauger nicht mit einem direkt auf ihn gerichteten Wasserstrahl. Das Eindringen von Wasser in das Staubsaugergehäuse erhöht das Stromschlagrisiko.
- Wenn der Staubsauger nicht in Gebrauch ist, bewahren Sie ihn sicher auf.
- Der Aufbewahrungsort muss trocken und abschließbar sein. Dadurch wird verhindert, dass der Staubsauger während der Aufbewahrung beschädigt oder von unerfahrenen Personen benutzt wird.
- Das Gerät ist nicht für den gewerblichen oder industriellen Gebrauch geeignet.
 - Nicht zum Aufsaugen von feuchten Substanzen oder Flüssigkeiten verwenden.

- Nicht zum Aufsaugen von Asche oder Ruß verwenden.
- Nicht zum Aufsaugen von Bauschutt verwenden.

SICHERHEITSHINWEISE FÜR AKKUS

- a) **Akku nicht öffnen.** Gefahr eines Kurzschlusses.
- b) **Schützen Sie den Akku vor Hitze, zum Beispiel vor andauerndem intensiven Sonnenlicht, sowie vor Feuer, Wasser und Feuchtigkeit.** Explosionsgefahr.
- c) **Bei Beschädigung und unsachgemäßer Verwendung des Akkus können Dämpfe freigesetzt werden. Lüften Sie den Bereich und suchen Sie bei Beschwerden einen Arzt auf.** Die Dämpfe können die Atemwege reizen.
- d) **Verwenden Sie den Akku nur in Verbindung mit Ihrem Vonroc-Produkt.** Nur dadurch wird der Akku vor gefährlicher Überladung geschützt.
- e) **Der Akku kann durch spitze Gegenstände wie Nägel oder Schraubendreher oder durch äußere Krafteinwirkung beschädigt werden.** Es kann ein interner Kurzschluss auftreten und der Akku kann brennen, rauchen, explodieren oder überhitzen.

SICHERHEITSHINWEISE FÜR LADEGERÄTE Verwendungszweck

Laden Sie mit dem Ladegerät nur wiederaufladbare Akkus vom Typ CD801AA und CD803AA auf. Andere Akkutypen können platzen und Verletzungen und Schäden verursachen.

- a) **Das Gerät darf nicht von Personen (einschließlich Kinder) mit eingeschränkten körperlichen, sensorischen oder geistigen Fähigkeiten oder mangelnder Erfahrung und mangelndem Wissen verwendet werden, es sei denn, sie werden dabei beaufsichtigt oder sie wurden in die Verwendung des Geräts eingewiesen.**
- b) **Es ist darauf zu achten, dass Kinder nicht mit dem Gerät spielen.**
- c) **Laden Sie keine nicht aufladbaren Batterien auf!**
- d) **Während des Ladevorgangs müssen sich die Akkus in einem gut belüfteten Bereich befinden!**

2. MASCHINENDATEN

Verwendungszweck

Dieser Staubsauger ist zum Nass- und Trockensaugen unter Verwendung des mitgelieferten Filters vorgesehen. Er kann auch als Handstaubsauger für Elektrowerkzeuge genutzt werden. Der Staubsauger ist nicht zum Aufsaugen von brennbaren, explo-

siven oder gefährlichen Stäuben vorgesehen. Das Gerät ist nicht für den gewerblichen oder industriellen Gebrauch geeignet.

TECHNISCHE DATEN



Dieses Handbuch wurde für unterschiedliche Sets / Artikelnummern erstellt. Achten Sie in der Spezifikationstabelle mit den korrekten Zusammenstellungen und Inhalten für Ihr Set auf Ihre jeweilige Artikelnummer.

Modellnr.	Akkus enthalten	Ladegeräte enthalten
VC508DC	-	-
S_VC508DC	CD801AA	CD802AA
S2_VC508DC	2 x CD801AA	CD802AA
S3_VC508DC	CD803AA	CD802AA

Maschinendaten	
Spannung Akku	20V
Saugkraft	≥10kPa
IP-Klasse	IPX4
Geräusche	75 dB(A)
Betriebszeit (2,0Ah / 4,0Ah)	15 Min / 30 Min
Fassungsvermögen des Behälters ca.	15 l
Nutzvolumen ca.	10 l
Filter – trocken	HEPA-Filter
Filter – nass	Schaumstofffilter
Schlauchlänge	1,68 m
Schlauchdurchmesser	Ø 40mm
Gewicht ca. (ohne Akku und Zubehör)	3,5 kg
Empfohlener Staubsaugerbeutel	VC814AA
Empfohlener HEPA-Filter	VC813AA

Optionales Zubehör	
Bodenzubehörset (Schlauch, Bodendüse und Räder)	VC812AA

Modellnr.	CD801AA
Akkutyp	Lithium-Ionen
Spannung	20V
Kapazität	2,0 Ah
Empfohlenes Ladegerät	CD802AA
Gewicht	0,3 kg

Modellnr.	CD802AA
Ladegerät-Eingang	220-240V, 50Hz 0,4A
Ladegerät-Ausgang	21V 2,5A
Ladedauer 2Ah-Akku	60 Minuten
Ladedauer 4Ah-Akku	120 Minuten
Empfohlene Akkus	CD801AA, CD803AA
Gewicht	0,36 kg

Modellnr.	CD803AA
Akkutyp	Lithium-Ionen
Spannung	20V
Kapazität	4,0 Ah
Empfohlenes Ladegerät	CD802AA
Gewicht	0,65 kg

Verwenden Sie nur folgende Akkus der VONROC VPOWER 20V-Akku-Plattform. Die Verwendung anderer Akkus kann zu schweren Verletzungen oder einer Beschädigung des Werkzeugs führen.

CD801AA 20 V, 2 Ah Lithium-Ionen
 CD803AA 20 V, 4 Ah Lithium-Ionen

Folgendes Ladegerät ist zum Aufladen dieser Akkus vorgesehen.

CD802AA Schnellladegerät

Die Akkus der VONROC VPOWER 20V-Akku-Plattform sind unter allen Werkzeugen der VONROC VPOWER 20V-Akku-Plattform austauschbar.

BESCHREIBUNG

Die Zahlen im Text beziehen sich auf die Abbildungen auf den Seiten 2-3.

1. Ein-/Ausschalter
2. Tragegriff
3. Akkuabdeckung

4. Batterie
5. Taste zum Entsperren des Akkus
6. Verriegelungsklammer
7. Oberteil
8. Behälter
9. Blasanschluss
10. Sauganschluss
11. Ansaugöffnung
12. Schlauch
13. Schaumstofffilter
14. HEPA-Filter
15. Filterkäfig
16. Schwimmer
17. Staubsaugerbeutel
18. Dreieckige Düse
19. Fugendüse
20. Auto-Staubsaugenzubehör
21. Elektrowerkzeugadapter
22. Knopf für Akku-LED-Anzeigen
23. Akku-LED-Anzeigen
24. Ladegerät
25. Ladegerät-LED-Anzeigen

- Der Akku hat 3 Leuchten, die den Ladezustand anzeigen. Je mehr Leuchten brennen, desto mehr Ladung hat der Akku noch.
- Wenn keine der Leuchten an ist, bedeutet das, dass der Akku leer ist und sofort aufgeladen werden muss.

Aufladen des Akkus mit dem Ladegerät (Abb. C)

1. Nehmen Sie den Akku (4) aus dem Gerät.
2. Drehen Sie den Akku (4) um und schieben Sie ihn auf das Ladegerät (24), wie in Abb. C gezeigt.
3. Schieben Sie den Akku so weit herein, bis er vollständig im Steckplatz sitzt.
4. Verbinden Sie den Ladestecker mit einer Steckdose und warten Sie einen Moment. Die LED-Anzeigen am Ladegerät (25) leuchten auf und zeigen den Ladestatus an.

Das Ladegerät besitzt 2 LED-Anzeigen (25), die seinen Ladestatus angeben:

Status der roten LED	Status der grünen LED	Status des Ladegeräts
Aus	Aus	Kein Strom
Aus	An	Bereitschaftsmodus: - Kein Akku eingelegt oder - Akku eingelegt, aber Ladevorgang abgeschlossen
An	Aus	Akku wird gerade geladen

3. MONTAGE



Entfernen Sie vor allen Arbeiten an dem Elektrowerkzeug den Akku.



Der Akku muss vor der erstmaligen Benutzung aufgeladen werden.

Einlegen des Akkus in das Gerät (Abb. B1, B2)



Stellen Sie sicher, dass die Außenseite des Akkus sauber und trocken ist, bevor Sie ihn an das Ladegerät oder das Gerät anschließen.

- Das vollständige Aufladen des 2Ah-Akkus kann bis zu 60 Minuten dauern.
- Das vollständige Aufladen des 4Ah-Akkus kann bis zu 120 Minuten dauern.

1. Setzen Sie den Akku (4) in den Sockel des Geräts ein, wie in Abb. B1, B2 dargestellt.
2. Schieben Sie den Akku weiter nach vorne, bis er einrastet.

Nachdem der Akku vollständig geladen ist, den Ladegerätstecker aus der Steckdose ziehen und den Akku aus dem Ladegerät nehmen.

Entnehmen des Akkus aus dem Gerät (Abb. B1, B2)



Wenn das Gerät über einen längeren Zeitraum nicht verwendet wird, ist es am besten, den Akku in geladenem Zustand zu lagern.

1. Drücken Sie die Taste zum Entsperren des Akkus (5).
2. Ziehen Sie den Akku aus dem Gerät heraus, wie in Abb. B1, B2 dargestellt.

Montage des Filters (Abb. E - G)

Überprüfen des Ladezustands des Akkus (Abb. C)

- Zum Überprüfen des Ladezustands des Akkus drücken Sie kurz die Taste (22) am Akku.

1. Entfernen Sie das Oberteil (7) wie in Abb. E dargestellt von dem Behälter (8).
2. Montieren Sie den Filter. Achten Sie darauf, je nach Anwendung den richtigen Filter anzubringen:

- Zum Trockensaugen schieben Sie den HEPA-Filter (14) vorsichtig über den Filterkäfig (15), wobei sicherzustellen ist, dass der gesamte Käfig (15) wie in Abb. F1 dargestellt abgedeckt ist.
 - Zum Nasssaugen schieben Sie den Schaumstofffilter (13) vorsichtig über den Filterkäfig (15), wobei sicherzustellen ist, dass der gesamte Käfig (15) wie in Abb. F2 dargestellt abgedeckt ist.
3. Setzen Sie das Oberteil (7) wie in Abb. E dargestellt auf den Behälter (8).

Anschließen des Schlauchs (Abb. D1, D2).

- Zum Saugen (Abb. D1) wird der Saugschlauch (12) mit dem Sauganschluss (10) verbunden.
- Zum Blasen (Abb. D2) wird der Saugschlauch (12) mit dem Blasanschluss (9) verbunden.

Bringen Sie die gewünschte Düse an.

Dreieckige Düse (18)

Die dreieckige Düse ist für das häusliche Nass- und Trockensaugen bestimmt, z.B. im Haus, im Arbeitsraum oder in der Garage.

Fugendüse (19)

Die Fugendüse ist für das häusliche Nass- und Trockensaugen, für Ränder und andere schwer zugängliche Bereiche vorgesehen.

Auto-Staubsaugerzubehör (20)

Die Bürste ist zum Aufsaugen von Feststoffen aus kleinen Bereichen vorgesehen. Sie eignet sich zum Beispiel für Autositze.

Elektrowerkzeugadapter (21)

Adapter zum Verbinden des Saugschlauches mit einem Elektrowerkzeug.

4. BETRIEB



Wenn der Staubsauger versehentlich umkippt, kann der Mechanismus des Absperrschwimmers (16) den Sauganschluss des Motors abdecken und den Saugvorgang stoppen. Wenn dies geschieht, stellen Sie den Staubsauger wieder aufrecht hin und schalten ihn aus, bis der Schwimmer (16) in seine normale Position zurückgekehrt ist.



Nicht ohne Filter saugen!

Ein-/Ausschalten des Geräts

- Stellen Sie den Netzschalter (1) in die Position „ON/I“, um den Staubsauger zu starten.
- Stellen Sie den Netzschalter (1) in die Position „OFF/O“, um den Staubsauger auszuschalten.

Trockensaugen (Abb. D1, G)



Reinigen Sie den HEPA-Filter (14) regelmäßig, um die Saugkraft aufrechtzuerhalten.



Um ein Verstopfen des HEPA-Filters (14) zu vermeiden, empfehlen wir die zusätzliche Verwendung eines Staubsaugerbeutels (17).



Ein verstopfter Staubsaugerbeutel (17) kann platzen. Deshalb sollte der Staubsaugerbeutel rechtzeitig ausgetauscht werden!

1. Schalten Sie das Gerät (1) aus und entfernen Sie den Akku.
2. Entriegeln Sie die Verriegelungsklammer (6) und nehmen Sie das Oberteil (7) ab.
3. Entfernen Sie vor dem Saugen sämtlichen Schmutz und Ablagerungen aus dem Behälter (8).
4. Schieben Sie den HEPA-Filter (14) vorsichtig über den Filterkäfig (15) nach unten, wobei sicherzustellen ist, dass der gesamte Käfig wie in Abb. F1 dargestellt abgedeckt ist.
5. Zum Saugen mit Staubsammelbeutel (17):
 - Halten Sie den Pappkragen fest und schieben Sie das Gummischutzelement wie in Abb. G dargestellt so weit wie möglich auf die Ansaugöffnung (11).
 - Wenn alles an seinem Platz ist, falten Sie den Beutel (17) auseinander und setzen Sie ihn um die Innenwände des Behälters (8) herum ein.
6. Bringen Sie das Oberteil (7) wieder an und verriegeln Sie die Verriegelungsklammer (6).
7. Stecken Sie ein Ende des Schlauchs (12) in den Sauganschluss (10). Wickeln Sie den Saugschlauch (12) vollständig ab.

Staubsaugen:

8. Setzen Sie den Akku ein.
9. Stellen Sie den Netzschalter (1) in die Position „ON/I“, um den Staubsauger zu starten.

10. Das Gerät ist nun zum Trockensaugen bereit.
11. Stellen Sie den Netzschalter (1) in die Position „OFF/0“, um den Staubsauger auszuschalten.

Verwendung mit Elektrowerkzeugen:

8. Passen Sie den Elektrowerkzeugadapter (21) an den Absaugausgang des Elektrowerkzeugs an. Verwenden Sie gegebenenfalls ein Messer.
9. Verbinden Sie den Elektrowerkzeugadapter (21) mit dem Schlauch (12) und schließen Sie ihn an den Absaugausgang des Elektrowerkzeugs an.
11. Setzen Sie den Akku ein.
12. Stellen Sie den Netzschalter (1) in die Position „ON/I“, um den Staubsauger zu starten.
13. Das Gerät ist nun zum Trockensaugen bereit.
14. Stellen Sie den Netzschalter (1) in die Position „OFF/0“, um den Staubsauger auszuschalten.

Nasssaugen (Abb. F2)



Der Staubsauger ist mit einem Schwimmer (16) ausgestattet. Die Saugleistung nimmt ab, wenn der maximale Füllstand erreicht ist. Schalten Sie den Staubsauger dann sofort aus (1). Leeren Sie den Behälter (8).



Reinigen Sie den Schwimmer (16) in regelmäßigen Abständen und überprüfen Sie ihn auf Beschädigungen. Andernfalls kann die Funktion beeinträchtigt werden.



Niemals in das aufzusaugende Wasser greifen. Stromschlaggefahr.



Schalten Sie das Gerät sofort aus (1), wenn sich Schaum bildet oder Flüssigkeiten austreten!



Verwenden Sie keinen Staubsaugerbeutel (17)!

1. Stellen Sie den Netzschalter (1) in die Position „OFF/0“ und nehmen Sie den Akku heraus.
2. Entriegeln Sie die Verriegelungsklammer (6) und nehmen Sie das Oberteil (7) ab.
3. Nehmen Sie vor dem Nasssaugen den Staubsaugerbeutel (17) und den HEPA-Filter (14) heraus und entfernen Sie sämtlichen Schmutz und Ablagerungen aus dem Behälter (8).
4. Schieben Sie den Schaumstofffilter (13) vorsichtig über den Filterkäfig (15) nach unten, wobei sicherzustellen ist, dass der gesamte Käfig wie in Abb. F2 dargestellt abgedeckt ist.
5. Bringen Sie das Oberteil (7) wieder an und

- verriegeln Sie die Verriegelungsklammer (6).
6. Stecken Sie ein Ende des Schlauchs (12) in den Sauganschluss (10). Wickeln Sie den Saugschlauch (12) vollständig ab.
7. Setzen Sie den Akku ein.
8. Stellen Sie den Netzschalter (1) in die Position „ON/I“, um den Staubsauger zu starten.
9. Das Gerät ist nun zum Nasssaugen bereit.
10. Stellen Sie den Netzschalter (1) in die Position „OFF/0“, um den Staubsauger auszuschalten.
11. Heben Sie den Schlauch (12) so an, dass die Flüssigkeiten in den Behälter (8) ablaufen können.
12. Leeren Sie den Behälter (8) sofort nach dem Saugen, da er nicht für die Aufbewahrung von Flüssigkeiten geeignet ist.

Blasfunktion (Abb. D2)



Es wird der Betrieb ohne den Einsatz eines Filters empfohlen.



Vor der Verwendung der Blasfunktion sämtlichen Schmutz und Ablagerungen aus dem Behälter (8) entfernen.

Der Staubsauger ist mit einer Blasfunktion ausgestattet. Sie kann zum Wegblasen von Staub und Schmutz aus Garagen oder von Innenhöfen und Einfahrten verwendet werden. Wir empfehlen das Verwenden der Fugendüse (19), um den Luftstrom zu verstärken.

1. Stellen Sie den Netzschalter (1) in die Position „OFF/0“ und nehmen Sie den Akku heraus.
2. Entriegeln Sie die Verriegelungsklammer (6) und nehmen Sie das Oberteil (7) ab.
3. Nehmen Sie vor dem Blasen den Staubsammelbeutel (17) und die Filter (13, 14) ab und entfernen Sie sämtlichen Schmutz und Ablagerungen aus dem Behälter (8).
4. Bringen Sie das Oberteil (7) wieder an und verriegeln Sie die Verriegelungsklammer (6).
5. Stecken Sie ein Ende des Schlauchs (12) in den Blasanschluss (9) hinten am Gerät. Wickeln Sie den Saugschlauch (12) vollständig ab.
6. Setzen Sie den Akku (4) ein.
7. Stellen Sie den Netzschalter (1) in die Position „ON/I“, um den Staubsauger zu starten.
8. Das Gerät ist jetzt bereit, um Staub und Schmutz wegzublasen.
9. Stellen Sie den Netzschalter (1) in die Position „OFF/0“, um den Staubsauger auszuschalten.

Beenden des Pumpvorgangs

1. Stellen Sie den Netzschalter (1) in die Position „OFF/0“, um den Staubsauger auszuschalten. Nehmen Sie den Akku heraus.
2. Nehmen Sie das Oberteil (7) ab und leeren Sie den Behälter (8).
3. Reinigen Sie das Gerät mit einem weichen Tuch und lagern Sie es an einem trockenen Ort.

5. WARTUNG



Vor dem Beginn von Reinigungs- und Wartungsarbeiten immer erst die Maschine ausschalten und den Akku entfernen.

Die Maschinengehäuse regelmäßig mit einem weichen Tuch reinigen, vorzugsweise nach jedem Gebrauch. Sicherstellen, dass die Ventilatoröffnungen frei von Staub und Schmutz sind. Sehr hartnäckigen Schmutz mit einem mit Seifenlauge befeuchteten Tuch entfernen. Keine Lösungsmittel, wie Benzin, Alkohol, Ammoniak usw., da solche Chemikalien die synthetischen Komponenten beschädigen können.

Behälter

Leeren Sie den Behälter (8) sofort nach dem Saugen, da er nicht für die Aufbewahrung von Flüssigkeiten geeignet ist.

1. Nehmen Sie das Oberteil (6) ab und leeren Sie den Behälter (8).
2. Reinigen Sie das Gerät mit einem weichen Tuch.

Filter



Für eine optimale Leistung wird empfohlen, die Filter (13, 14) je nach Nutzungsgrad regelmäßig zu wechseln.

HEPA-Filter:

1. Entfernen Sie vorsichtig den HEPA-Filter (14).
2. Reinigen Sie die Oberfläche des Filters mit einem Pinsel.
3. Waschen Sie die Filter vorsichtig mit Wasser, das maximal 40 Grad warm ist.
4. Lassen Sie den Filter an der Luft trocknen, bevor Sie ihn wieder anbringen und erneut verwenden.
5. Bringen Sie den Filter wieder an.

Schaumstofffilter:

1. Entfernen Sie vorsichtig den Schaumstofffilter (13).
2. Waschen Sie die Filter vorsichtig mit Wasser, das maximal 40 Grad warm ist.
3. Lassen Sie den Filter an der Luft trocknen, bevor Sie ihn wieder anbringen und erneut verwenden.
4. Bringen Sie den Filter wieder an.

Schwimmer und Filterkäfig

Reinigen Sie Schwimmer (16) und Filterkäfig (15) regelmäßig mit einem weichen Tuch und überprüfen Sie sie auf Beschädigungen. Andernfalls kann die Funktion beeinträchtigt werden.

UMWELT



Fehlerhafte und/oder ausgesonderte elektrische oder elektronische Geräte müssen zu den entsprechenden Recyclingorten gebracht werden.

Nur für EU-Länder

Entsorgen Sie Elektrowerkzeuge nicht im Hausmüll. Nach der europäischen Richtlinie 2012/19/EU über Elektro- und Elektronik-Altgeräte und ihrer Umsetzung in nationales Recht müssen Elektrowerkzeuge, die nicht mehr verwendet werden sollen, getrennt gesammelt und auf umweltgerechte Weise entsorgt werden.

GARANTIE

VONROC-Produkte werden nach den höchsten Qualitätsstandards entwickelt und sind für den gesetzlich festgelegten Zeitraum ab dem Datum des ursprünglichen Kaufs garantiert frei von Material- und Verarbeitungsfehlern. Sollte das Produkt während dieses Zeitraums aufgrund von Material- und/oder Verarbeitungsfehlern ausfallen, wenden Sie sich bitte direkt an VONROC.

Folgende Umstände sind aus der Garantie ausgeschlossen:

- An der Maschine wurden von nicht autorisierten Servicestellen Reparaturen und/oder Änderungen vorgenommen oder versucht;
- Normaler Verschleiß;
- Das Gerät wurde missbräuchlich oder falsch verwendet oder unsachgemäß gewartet;
- Es wurden keine Originalersatzteile verwendet.

Dies ist die einzige ausdrückliche oder stillschweigende Garantie, die das Unternehmen übernimmt. Es gibt keine weiteren ausdrücklichen oder stillschweigenden Garantien, die über die hierin enthaltenen Angaben hinausgehen, einschließlich der stillschweigenden Garantien der Gebrauchstauglichkeit und Eignung für einen bestimmten Zweck. VONROC haftet in keinem Fall für zufällige Schäden oder Folgeschäden. Die Rechtsmittel des Händlers beschränken sich auf die Reparatur oder den Austausch der nicht konformen Geräte oder Teile.

Das Produkt und die Bedienungsanleitung können Änderungen unterliegen. Technische Daten können ohne vorherige Ankündigung geändert werden.

1. VEILIGHEIDSINSTRUCTIES

Lees de bijgesloten veiligheidswaarschuwingen, de aanvullende veiligheidswaarschuwingen en de instructies. Geeft u geen gevolg aan de veiligheidswaarschuwingen en de instructies dan kan dat een elektrische schok, brand en/of ernstig letsel tot gevolg hebben. Bewaar de veiligheidswaarschuwingen en de instructies zodat u ze later ook nog kunt raadplegen.

De volgende symbolen worden gebruikt in de gebruiksaanwijzing of op het product:



Lees de gebruiksaanwijzing.



Alleen voor gebruik binnenshuis



Vertraging miniatuur smeltzekering.



Gooi de accu niet in het vuur.



Gooi de accu niet in het water.



Gooi het product niet weg in containers die daarvoor niet geschikt zijn.



Gescheiden inzameling voor Li-ion-accu.



Klasse II apparaat - Dubbel geïsoleerd - Een geaarde stekker is niet noodzakelijk.



Het product voldoet aan de geldende veiligheidsnormen in de Europese richtlijnen.

VEILIGHEIDSWAARSCHUWINGEN

DIT APPARAAT MAG WORDEN GEBRUIKT DOOR KINDEREN VANAF 8 JAAR EN DOOR PERSONEN MET VERMINDERDE LICHAAMELIJKE, ZINTUIGLIJKE OF GEESTELIJKE VERMOGENS, OF MET EEN GEBREK AAN ERVARING EN KENNIS, MITS ZIJ ONDER TOEZICHT STAAN OF GEÏNSTRUEERD ZIJN BETREFFENDE HET VEILIG GEBRUIK VAN HET APPARAAT EN ZICH BEWUST ZIJN VAN DE ERMEE VERBONDEN RISICO'S. KINDEREN MOGEN NIET MET HET APPARAAT SPELEN. ZONDER TOEZICHT MOGEN REINIGING EN ONDERHOUD NIET DOOR KINDEREN WORDEN UITGEVOERD.

- **Gebruik de stofzuiger niet voor materialen die schadelijk zijn voor de gezondheid, zoals stof van beuken- of eikenhout, stof van metselwerk, asbest.** Deze materialen worden geacht kan-kerverwekkend te zijn. **Zoek informatie over de geldende wet- en regelgeving in uw land over het werken met materialen die gevaarlijk voor de gezondheid zijn.**
- **Werk alleen met de stofzuiger wanneer u alle functies volledig begrijpt en zonder beperking kunt uitvoeren, of wanneer u passende instructies hebt gekregen.** Een grondige introductie beperkt bedieningsfouten en letsels.
- **De natte/droge stofzuiger nooit gebruiken zonder een filter. Zorg er altijd voor dat de filters stevig op hun plaats zitten.**
- **De stofzuiger mag alleen binnenshuis worden opgeborgen.** Wanneer er regen of vocht in de deksel van de stofzuiger doordringt, neemt het risico van een elektrische schok toe.
- Gebruik de stofzuiger niet voor hete of brandende stoffen en niet in een ruimte waar explosieve stoffen zijn. Stofdeeltjes kunnen vlam vatten en exploderen.
- Neem de accu uit de stofzuiger voordat onderhouds- of schoonmaakwerkzaamheden en/of aanpassingen worden uitgevoerd, accessoires worden vervangen of de stofzuiger wordt opgeborgen. Deze veiligheidsmaatregel maakt dat de stofzuiger niet per ongeluk kan worden gestart.
- Zorg voor goede ventilatie op de werkplek.
- Laat de stofzuiger alleen repareren door gekwalificeerde specialisten die uitsluitend originele reserveonderdelen gebruiken. Dit waarborgt dat de veiligheid van het product gehandhaafd blijft.
- Reinig de stofzuiger niet door er rechtstreeks een waterstraal op te richten. Wanneer er water in de deksel van de stofzuiger doordringt, neemt het risico van een elektrische schok toe.
- Berg de stofzuiger veilig op wanneer deze niet gebruikt wordt.
- De opslaglocatie moet droog en afsluitbaar zijn. Zo voorkomt u dat de stofzuiger wordt beschadigd tijdens opslag of wordt gebruikt door mensen die er geen ervaring mee hebben.
- Het apparaat is niet geschikt voor commercieel of industrieel gebruik.
 - Gebruik de stofzuiger niet voor vochtige substanties of vloeistoffen.
 - Gebruik de stofzuiger niet voor as of roet.

- Gebruik de stofzuiger niet voor resten van bouwmaterialen.

VEILIGHEIDSWAARSCHUWINGEN VOOR DE ACCU

- a) **Open de accu niet.** Risico op kortsluiting.
- b) **Bescherm de accu tegen hitte, bijv. continu intens zonlicht, vuur, water en vocht.** Gevaar voor ontploffing.
- c) **In geval van beschadiging en verkeerd gebruik van de accu kunnen dampen vrijkomen. Ventileer de omgeving en zoek medische hulp in geval van klachten.** De dampen kunnen tot irritatie van de luchtwegen leiden.
- d) **Gebruik de accu alleen in combinatie met uw Vonroc-product.** Deze maatregel beschermt de accu tegen gevaarlijke overbelasting.
- e) **De accu kan beschadigd raken door puntige voorwerpen zoals spijkers of schroevendraaiers of door geweld van buitenaf.** Er kan interne kortsluiting optreden en de accu kan gaan branden, roken, exploderen of oververhit raken.

VEILIGHEIDSWAARSCHUWINGEN VOOR DE LADER

Bedoeld gebruik

Uitsluitend CD801AA en CD803AA-type oplaadbare accu's met de lader opladen. Alle andere accu's kunnen openbarsten waardoor persoonlijk letsel en materiële schade ontstaat.

- a) **Het apparaat mag niet worden gebruikt door personen (inclusief kinderen) met verminderde fysieke, zintuiglijke of psychische vermogens, of met een gebrek aan ervaring en kennis, tenzij zij onder toezicht staan of instructies hebben gekregen.**
- b) **Kinderen die onder toezicht staan mogen niet met het apparaat spelen.**
- c) **Nooit niet-oplaadbare accu's opladen!**
- d) **Tijdens het opladen moeten de accu's in een goed geventileerde ruimte worden geplaatst!**

2. INFORMATIE OVER HET APPARAAT

Bedoeld gebruik

De stofzuiger is geschikt voor nat en droog stofzuigen met behulp van het bijbehorende filter. Het kan ook worden gebruikt als een hand-stofafzuiging voor elektrisch gereedschap. De stofzuiger is niet bedoeld voor het opzuigen van brandbare, explosieve gevaarlijke stofdeeltjes. Dit apparaat is niet geschikt voor commercieel of industrieel gebruik.

TECHNISCHE SPECIFICATIES



Deze gebruiksaanwijzing is opgesteld voor verschillende sets / artikelnummers. Controleer het bijbehorende artikelnummer in de onderstaande specificaties voor de juiste samenstelling en inhoud van uw set.

Modelnr.	Accu's meegeleverd	Laders meegeleverd
VC508DC	-	-
S_VC508DC	CD801AA	CD802AA
S2_VC508DC	2 x CD801AA	CD802AA
S3_VC508DC	CD803AA	CD802AA

Informatie over het apparaat	
Spanning accu	20 V
Zuigkracht	≥10 kPa
IP Klasse	IPX4
Geluid	75 dB(A)
Bedrijfstijd (2,0 Ah / 4,0 Ah)	15 min / 30 min
Inhoud van de container bij benadering	15 L
Nuttig volume bij benadering	10 L
Filter- droog	HEPA-filter
Filter - nat	Schuimfilter
Lengte van de slang	1,68 m
Slangdiameter	Ø 40 mm
Gewicht bij benadering (zonder accu en accessoires)	3,5 kg
Aanbevolen stofzak	VC814AA
Aanbevolen HEPA-filter	VC813AA

Optioneel accessoire	
Vloeraccessoireset (slang, vloermondstuk en wielen)	VC812AA

Modelnr.	CD801AA
Type accu	Lithium-ion
Spanning	20V
Vermogen	2.0 Ah
Aanbevolen lader	CD802AA
Gewicht	0,3 kg

Modelnr.	CD802AA
Ingang lader	220-240V, 50Hz 0.4A
Uitgang lader	21V 2.5A
Laadtijd 2Ah accu	60 minuten
Laadtijd 4Ah accu	120 minuten
Aanbevolen accu's	CD801AA, CD803AA
Gewicht	0,36 kg

Modelnr.	CD803AA
Type accu	Lithium-ion
Spanning	20V
Vermogen	4.0 Ah
Aanbevolen lader	CD802AA
Gewicht	0,65 kg

Gebruik uitsluitend de volgende accu's van het VONROC VPOWER 20 V accu-platform. Gebruik van andere accu's kan leiden tot ernstig letsel of tot beschadiging van het gereedschap.
 CD801AA 20 V, 2 Ah Lithium-ion
 CD803AA 20 V, 4 Ah Lithium-ion

De volgende lader kan worden gebruikt voor het opladen van deze accu's.
 CD802AA Snellader

De accu's van het VONROC POWER 20V accu-platform kunnen worden gewisseld tussen alle gereedschappen van het VONROC POWER 20V accu-platform.

BESCHRIJVING

De nummers in deze tekst verwijzen naar de diagrammen op pagina 2-3.

1. Aan/uit-schakelaar
2. Handgreep

3. Deksel voor accu
4. Accu
5. Ontgrendelingsknop accu
6. Vergrendelklem
7. Bovendeel
8. Container
9. Blaaspoort
10. Zuigpoort
11. Inlaatpoort
12. Slang
13. Schuimfilter
14. HEPA-filter
15. Filterhouder
16. Vlotter
17. Stofzak
18. Driehoekig mondstuk
19. Mondstuk voor moeilijk bereikbare plaatsen
20. Hulpstuk autostofzuiger
21. Adapter elektrisch gereedschap
22. Knop LED-indicatielampjes accu
23. LED-indicatielampjes accu
24. Lader
25. LED-indicatielampjes lader

3. MONTAGE



Verwijder de accu voordat u werkzaamheden aan het elektrisch gereedschap gaat uitvoeren.



De accu moet voor het eerste gebruik worden opgeladen.

De accu in het apparaat plaatsen (Afb. B1, B2)



Verzekert dat de buitenzijde van de accu schoon en droog is voordat u de accu in de lader of het apparaat plaatst.

1. Steek de accu (4) in de onderkant van het apparaat, zoals wordt getoond in Afb. B1, B2.
2. Duw de accu verder naar voren totdat deze op z'n plaats klikt.

De accu uit het apparaat nemen (Afb. B1, B2)

1. Duw op de ontgrendelingsknop (5) van de accu.
2. Haal de accu uit het apparaat, zoals wordt weergegeven op Afb. B1, B2.

Het controleren van de laadstatus van de accu (Afb. C)

- U kunt de laadstatus van de accu controleren door kort op de knop (22) op de accu te drukken.

- De accu heeft 3 indicatielampjes die de laadstatus aanduiden, hoe meer lampjes er branden, des te meer lading de accu nog heeft.
- Wanneer de lampjes niet branden, betekent dit dat de accu leeg is en de accu onmiddellijk moet worden opgeladen.

De accu opladen met de lader (Afb. C)

1. Neem de accu (4) uit de machine.
2. Draai de accu (4) ondersteboven en schuif de accu in de lader (24), zoals wordt getoond in Afb. C.
3. Duw de accu aan tot deze geheel in de sleuf is geduwd.
4. Steek de stekker van de lader in een stopcontact en wacht een ogenblik. Het LED-indicatielampje op de machine (25) gaat aan en geeft de laadstatus aan.

De lader heeft 2 LED-indicatielampjes (25) die de status van het laadproces aangeven:

Rood LED Status	Groen LED Status	Lader - Status
Uit	Uit	Geen voeding
Uit	Aan	Stand-bymodus: - Geen accu geplaatst, of - Accu is geplaatst, maar het laden is voltooid
Aan	Uit	Bezig met het laden van de accu

- Het volledig opladen van de 2Ah-accu kan tot 60 minuten in beslag nemen.
- Het volledig opladen van de 4Ah accu kan tot 120 minuten in beslag nemen.

Als de accu volledig is geladen, trekt u de stekker van de lader uit het stopcontact en neemt u de accu uit de lader.



Wanneer het apparaat gedurende langere tijd niet wordt gebruikt, kunt u de accu het beste in geladen toestand opbergen.

Montage van het filter (Afb. E - G)

1. Verwijder het bovendee (7) van de container (8), zoals wordt weergegeven op Afb. E.
2. Monteer het filter. Let goed op dat u afhankelijk van de toepassing het juiste filter plaatst:

- Schuif voor droog stofzuigen het HEPA-filter (14) voorzichtig over de filterhouder (15), zorg ervoor dat de volledige filterhouder (15) is bedekt, zoals wordt weergegeven op Afb. F1.
 - Schuif voor nat stofzuigen het schuimfilter (13) voorzichtig over de filterhouder (15), zorg ervoor dat de volledige filterhouder (15) is bedekt, zoals wordt weergegeven op Afb. F2.
3. Plaats het bovendeel (7) op de container (8), zoals wordt weergegeven op Afb. E.

De slang aansluiten (Afb. D1, D2).

- Sluit voor stofzuigen (Afb. D1) de zuigslang (12) aan op de zuigpoort (10).
- Sluit voor blazen (Afb. D2) de zuigslang (12) aan op de blaaspoot (9).

Bevestig het gewenste mondstuk.

Driehoekig mondstuk (18)

Het driehoekig mondstuk is ontworpen voor nat en droog stofzuigen thuis, van bijvoorbeeld de woning, werkkamer of garage.

Mondstuk voor moeilijk bereikbare plaatsen (19)

Het mondstuk voor moeilijk bereikbare plaatsen is ontworpen voor nat en droog zuigwerk in het huishouden, voor randen en andere oppervlakken die moeilijk zijn te bereiken.

Hulpstuk autostofzuiger (20)

De borstel is ontworpen voor het opzuigen van vast vuil van kleine oppervlakken. Bijvoorbeeld, voor de stoelen van de auto.

Adapter elektrisch gereedschap (21)

Adapter voor het aansluiten van een stofzuigslang met elektrisch gereedschap.

4. WERKING



Als de stofzuiger per ongeluk omvalt dekt de vlottermechanisme (16) mogelijk de zuigpoort af en stopt het zuigen. Wanneer dit gebeurt kunt u simpelweg de stofzuiger weer rechtop zetten en uitschakelen tot de vlotter (16) weer op de normale positie staat.



Stofzuig nooit zonder filter!

De machine in-/uitschakelen

- Druk de aan/uit-schakelaar (1) in de stand "ON/I" om uw stofzuiger in te schakelen.
- Druk de aan/uit-schakelaar (1) in de stand "OFF/O" om uw stofzuiger uit te schakelen.

Droog stofzuigen (Afb. D1, G)



Reinig het HEPA-filter (14) regelmatig, zodat de zuigkracht behouden blijft.



Om te vermijden dat het HEPA-filter (14) verstopt raakt, adviseren we om een stofzak (17) te gebruiken.



Een verstopte stofzak (17) kan barsten. -vervang daarom de stofzak daarom regelmatig!

1. Schakel het apparaat uit (1) en verwijder de accu.
2. Ontgrendel de sluitklemmen (6) en verwijder het bovengedeelte (7).
3. Voorafgaand aan het stofzuigen, dient alle stof en vuil uit de container (8) verwijderd te worden.
4. Schuif het HEPA-filter (14) voorzichtig over de filterhouder (15), zorg ervoor dat de filterhouder volledig is bedekt, zoals wordt weergegeven op Afb. F1.
5. Voor stofzuigen met een stofzak (17):
 - Houd de kartonnen kraag goed vast en schuif de rubberen bescherming zo ver mogelijk in de inlaatpoort (11), zoals wordt weergegeven op Afb. D.
 - Vouw, wanneer alles op z'n plaats zit, de stofzak (17) uit en plaats deze tegen de binnenkanten van de container (8).
6. Plaats het bovendeel (7) weer terug en vergrendel de vergrendelklem (6).
7. Steek één uiteinde van de slang (12) in de stofzuigpoort (10). Rol de zuigslang (12) helemaal uit.

Voor het stofzuigen:

8. Plaats de accu.
9. Druk de aan/uit-schakelaar (1) in de stand "ON/I" om uw stofzuiger in te schakelen.
10. Het apparaat is nu klaar voor droog stofzuigen.
11. Druk de aan/uit-schakelaar (1) in de stand "OFF/O" om uw stofzuiger uit te schakelen.

Voor het werken met elektrisch gereedschap:

8. Bevestig de adapter voor elektrisch gereedschap (21) aan de stofafzuigpoort van het elektrisch gereedschap. Gebruik eventueel een mes.
9. Sluit de adapter voor elektrisch gereedschap (21) aan op de slang (12) en sluit deze aan op de stofafzuigpoort van het elektrisch gereedschap.
11. Plaats de accu.
12. Druk de aan/uit-schakelaar (1) in de stand "ON/I" om uw stofzuiger in te schakelen.
13. Het apparaat is nu klaar voor droog stofzuigen.
14. Druk de aan/uit-schakelaar (1) in de stand "OFF/O" om uw stofzuiger uit te schakelen.

Nat stofzuigen (Afb. F2)



De stofzuiger is voorzien van een vlotter (16). De zuigkracht verminderd wanneer het maximumpeil bereikt wordt. Schakel de stofzuiger (1) onmiddellijk uit. Maak de container leeg (8).



Reinig de vlotter (16) regelmatig en controleer deze op schade. Anders kan het filter mogelijk niet goed functioneren.



Steek uw hand nooit in het water dat moet worden opgezogen. Gevaar voor een elektrische schok.



Schakel het apparaat onmiddellijk uit (1) als u schuim of vloeistof uit het apparaat ziet vloeien!



Gebruik geen stofzak (17)!

1. Druk de aan/uit-schakelaar (1) in de stand "OFF/O" en verwijder de accu.
2. Ontgrendel de sluitklemmen (6) en verwijder het bovengedeelte (7).
3. Verwijder de stofzak (17), het HEPA-filter (14) en haal al het stof en vuil uit de container (8).
4. Schuif het schuimfilter (13) voorzichtig over de filterhouder (15), zorg ervoor dat de filterhouder volledig is bedekt, zoals wordt weergegeven op Afb. F2.
5. Plaats het bovendeel (7) weer terug en vergrendel de vergrendelklem (6).
6. Steek één uiteinde van de slang (12) in de stofzuigpoort (10). Rol de zuigslang (12) helemaal uit.
7. Plaats de accu.
8. Druk de aan/uit-schakelaar (1) in de stand

- "ON/I" om uw stofzuiger in te schakelen.
9. Het apparaat is nu klaar voor nat stofzuigen.
10. Druk de aan/uit-schakelaar (1) in de stand "OFF/O" om uw stofzuiger uit te schakelen.
11. Til de slang (12) op zodat de vloeistof in de container (8) loopt.
12. Maak de container (8) onmiddellijk na het opzuigen van vloeistoffen leeg, omdat de container niet is bedoeld als vloeistofopslag.

Blaasfunctie (Afb. D2)



Gebruik van deze functie zonder filter wordt aanbevolen.



Verwijder alle stof en vuil uit de container (8) voordat u de blaasfunctie gebruikt.

Uw stofzuiger is ook voorzien van een blaasfunctie. Deze functie kan worden gebruikt om stof en vuil uit garages, hofjes en opritten te blazen. We raden aan dat u het mondstuk voor moeilijk bereikbare plaatsen (19) gebruikt voor een sterkere luchtstroming.

1. Druk de aan/uit-schakelaar (1) in de stand "OFF/O" en verwijder de accu.
2. Ontgrendel de sluitklemmen (6) en verwijder het bovengedeelte (7).
3. Verwijder de stofzak (17), het filter (13, 14) voordat u de blaasfunctie gebruikt en verwijder alle stof en vuil uit de container (8).
4. Plaats het bovendeel (7) weer terug en vergrendel de vergrendelklem (6).
5. Steek één uiteinde van de slang (12) in de blaaspoort (9) aan de achterkant van het apparaat. Rol de zuigslang (12) helemaal uit.
6. Plaats de accu (4).
7. Druk de aan/uit-schakelaar (1) in de stand "ON/I" om uw stofzuiger in te schakelen.
8. Het apparaat is nu klaar om stof en vuil weg te blazen.
9. Druk de aan/uit-schakelaar (1) in de stand "OFF/O" om uw stofzuiger uit te schakelen.

Werking beëindigen

1. Druk de aan/uit-schakelaar (1) in de stand "OFF/O" om uw stofzuiger uit te schakelen. Verwijder de accu.
2. Verwijder bovengedeelte (7) en leeg de container (8).
3. Maak het apparaat schoon met een zachte doek en bewaar het in een droge kamer.

5. ONDERHOUD



Schakel het apparaat altijd uit en verwijder de accu uit de machine voordat u het reinigt of onderhoud uitvoert.

Maak de behuizing van het apparaat regelmatig schoon met een zachte doek, bij voorkeur na ieder gebruik. Controleer of de ventilatieopeningen vrij zijn van stof en vuil. Verwijder hardnekkig vuil met een zachte doek vochtig gemaakt met een zee-oplossing. Gebruik geen oplosmiddelen zoals benzine, alcohol, ammoniak, enzovoorts. Chemicaliën zoals deze kunnen de synthetische componenten beschadigen.

Container

Leeg de container (8) onmiddellijk na het opzuigen van vloeistoffen, omdat de container niet is bedoeld als vloeistofopslag.

1. Verwijder bovengedeelte (6) en leeg de container (8).
2. Reinig de machine met een zachte doek.

Filters



Voor de beste prestaties raden we aan om de filters (13, 14) regelmatig te vervangen, afhankelijk is van de frequentie van het gebruik.

Hepa-filter:

1. Verwijder het HEPA-filter (14) voorzichtig.
2. Reinig het oppervlak van het filter met een borstel.
3. Maak de filters voorzichtig schoon met water van maximaal 40 graden.
4. Laat het filter goed drogen voordat u het filter terugplaatst en weer gebruikt.
5. Plaats het filter terug.

Schuimfilter:

1. Verwijder voorzichtig het schuimfilter (13).
2. Maak de filters voorzichtig schoon met water van maximaal 40 graden.
3. Laat het filter goed drogen voordat u het filter terugplaatst en weer gebruikt.
4. Plaats het filter terug.

Volter en filterhouder

Reinig de volter (16) en filterhouder (15) regelmatig en controleer op beschadigingen. Anders kan het filter mogelijk niet goed functioneren.

MILIEU



Niet goed functionerende en/of afgedankte elektrische of elektronische apparaten moeten bij de juiste inzamelpunten voor recycling worden aangeboden.

Alleen voor landen in de EG

Gooi geen elektrisch gereedschap bij het huisvuil. Volgens de Europese richtlijnen 2012/19/EU betreffende afgedankte elektrische en elektronische apparatuur en de implementatie hiervan in nationaal recht, moeten elektrische gereedschappen die niet langer gebruikt worden apart ingezameld en weggegooid worden op een milieuvriendelijk manier.

GARANTIE

Producten van VONROC worden op basis van de hoogste kwaliteitsnormen ontwikkeld en zijn gegarandeerd vrij van defecten, zowel voor wat betreft het materiaal als de afwerking, gedurende de door de wet bepaalde periode, startend vanaf de datum van de originele aankoop. Mocht het product gedurende deze periode enige storingen vertonen als gevolg van gebrekkig materiaal en/of gebrekkige afwerking, dient direct contact met VONROC opgenomen te worden.

De volgende omstandigheden zijn uitgesloten van de garantie:

- Reparatie en/of wijzigingen die door en niet erkend servicecentrum aan de machine werd/ werden aangebracht of waartoe een poging werd ondernomen;
- Normale slijtage;
- Het gereedschap werd misbruikt, verkeerd werd gebruikt en/of onjuist werd onderhouden;
- Niet-originele reserveonderdelen werden gebruikt.

Dit betreft de enige garantie die door de organisatie, impliciet of expliciet, wordt aangeboden. Geen andere garanties, impliciet noch expliciet, die verder strekken dan deze garantie, inclusief de impliciete garanties inzake de verkoopbaarheid en geschiktheid voor een specifiek doel. In geen geval zal VONROC aansprakelijk zijn voor incidentele schade of gevolgschade. De oplossingen van de dealers zullen beperkt zijn tot de reparatie of het vervangen van niet-conforme eenheden of onderdelen.

Het product en de gebruiksaanwijzing kunnen worden gewijzigd. Specificaties kunnen zonder voorafgaande kennisgeving worden gewijzigd.

1. CONSIGNES DE SÉCURITÉ

Veillez à bien lire les avertissements de sécurité, les avertissements supplémentaires de sécurité ainsi que toutes les instructions jointes. Le non-respect des avertissements de sécurité et des consignes peut entraîner des décharges électriques, des incendies et/ou de graves blessures. Conservez tous les avertissements et toutes les instructions liées à la sécurité afin de pouvoir vous y référer dans le futur.

Les symboles qui suivent sont utilisés dans la notice d'utilisation ou sur le produit :



Veillez à bien lire la notice d'utilisation.



Utilisation à l'intérieur uniquement



Fusible miniature avec temporisateur.



Ne jetez pas la batterie au feu.



Ne jetez pas la batterie dans l'eau.



Ne jetez pas le produit de façon inappropriée.



Recyclez la batterie Li-Ion.



Machine de classe II - Double isolation - Vous n'avez pas besoin de prise avec mise à la terre.



Le produit est conforme aux normes de sécurité en vigueur des directives européennes.

REMARQUES LIÉES À LA SÉCURITÉ

CET APPAREIL PEUT ÊTRE UTILISÉ PAR DES ENFANTS ÂGÉS DE 8 ANS ET PLUS ET PAR DES PERSONNES AUX CAPACITÉS PHYSIQUES, SENSORIELLES OU INTELLECTUELLES RÉDUITES, OU QUI MANQUENT D'EXPÉRIENCE ET DE CONNAISSANCES, À CONDITION QU'ILS SOIENT SUPERVISÉS OU QU'ILS AIENT ÉTÉ FORMÉS SUR LA FAÇON SÛRE D'UTILISER L'APPAREIL ET QU'ILS COMPRENNENT LES RISQUES ENCOURUS. LES ENFANTS NE DOIVENT PAS JOUER AVEC L'APPAREIL. LE NETTOYAGE ET LES OPÉRATIONS DE MAINTENANCE À RÉALISER PAR L'UTILISATEUR NE DOIVENT PAS ÊTRE EXÉCUTÉS PAR DES ENFANTS SANS SURVEILLANCE.

- **N'aspirez pas de matières nocives pour la santé, comme la poussière provenant de bois de hêtre ou de chêne, la poussière provenant de matériaux de maçonnerie ou de l'amiante par exemple.** Ces matières sont considérées comme étant cancérigènes. **Renseignez-vous sur la réglementation et la législation liées à la manipulation des matières dangereuses pour la santé dans votre pays.**
- **N'utilisez l'aspirateur à main qu'après avoir parfaitement assimilé et maîtrisé toutes les fonctions sans aucune restriction ou après avoir reçu toutes les instructions appropriées.** Une présentation complète du produit permet de réduire les erreurs d'utilisation et les blessures.
- **N'utilisez jamais l'aspirateur pour substances sèches/humides sans son filtre. Veillez à ce que les filtres soient toujours correctement installés.**
- **L'aspirateur ne doit être rangé qu'à l'intérieur.** La pénétration d'eau ou d'humidité dans l'aspirateur augmente les risques de décharges électriques.
- N'aspirez aucune poussière chaude ou incandescente et n'utilisez pas l'appareil dans des pièces présentant un risque d'explosion. Les poussières peuvent s'enflammer et exploser.
- Retirez le bloc-batterie de l'aspirateur avant d'effectuer la maintenance ou de le nettoyer, avant de procéder à des réglages, avant de changer un accessoire et avant de le ranger. Cette mesure préventive permet d'éviter la mise en marche accidentelle de l'aspirateur.
- Veillez à ce que la pièce dans laquelle l'aspirateur est utilisé soit bien aérée.
- Ne faites réparer l'aspirateur que par des spécialistes qualifiés qui n'utilisent que des pièces détachées d'origine. Cela permet de garantir la sûreté de l'aspirateur.
- Ne lavez pas l'aspirateur en pointant directement un jet d'eau dessus. La pénétration d'eau dans l'aspirateur augmente les risques de décharges électriques.
- Lorsqu'il n'est pas utilisé, rangez l'aspirateur dans un endroit sûr.
- Le lieu de rangement doit être un endroit sec et fermé à clé. Cela permet d'éviter l'endommagement de l'aspirateur ou qu'il soit utilisé par une personne inexpérimentée.
- L'appareil n'est pas destiné à un usage commercial ou industriel.

- Ne l'utilisez pas pour aspirer des substances humides ou des liquides.
- Ne l'utilisez pas pour aspirer des cendres ou de la suie.
- Ne l'utilisez pas pour aspirer des débris de chantier.

AVERTISSEMENTS DE SÉCURITÉ CONCERNANT LA BATTERIE

- a) **N'ouvrez pas la batterie.** Risque de court-circuit.
- b) **Protégez la batterie de la chaleur, des rayons directs du soleil continu et intensifs, du feu, de l'eau et de l'humidité.** Risque d'explosion.
- c) **En cas de dommage ou de mauvaise utilisation, la batterie peut émettre des vapeurs. Aérez la zone et faites appel à un médecin en cas d'affection.** Les vapeurs peuvent irriter le système respiratoire.
- d) **N'utilisez la batterie qu'avec votre produit Vonroc.** Cette seule mesure permet de protéger la batterie des surcharges dangereuses.
- e) **La batterie peut être endommagée par des objets pointus comme des clous ou des embouts de tournevis ou si elle subit une force extérieure excessive.** Un court-circuit interne est alors possible et la batterie peut alors s'enflammer, fumer, exploser ou surchauffer.

AVERTISSEMENTS DE SÉCURITÉ CONCERNANT LE CHARGEUR

Utilisation prévue

Avec ce chargeur ne rechargez que les blocs-batteries rechargeables CD801AA et CD803AA. Les autres types de batteries peuvent éclater et provoquer des blessures ou des dommages.

- a) **L'appareil ne doit pas être utilisé par des personnes (y compris des enfants) aux capacités physiques, sensorielles ou intellectuelles réduites ou qui manquent d'expérience et de connaissances, moins qu'elles ne soient supervisées ou qu'elles n'aient été formées.**
- b) **Les enfants doivent être surveillés pour garantir qu'ils ne jouent pas avec l'appareil.**
- c) **Ne rechargez jamais des piles non rechargeables !**
- d) **Pendant la charge, les batteries doivent être placées dans un endroit bien aéré !**

2. INFORMATIONS SUR LA MACHINE

Utilisation prévue

L'aspirateur, muni de son filtre, est idéal pour l'aspiration d'éléments secs ou humides. Il peut également servir comme aspirateur à main pour les outils électriques. L'aspirateur n'est pas destiné à aspirer des poussières inflammables, explosives ou dangereuses. Cet appareil n'est pas destiné à un usage commercial ou industriel.

CARACTÉRISTIQUES TECHNIQUES



Cette notice a été élaborée pour plusieurs kits / numéros d'articles différents. Consultez le numéro d'article correspondant à votre produit dans le tableau des caractéristiques qui suit pour obtenir la composition et le contenu corrects de votre kit.

N° de modèle	Batteries fournies	Chargeurs fournis
VC508DC	-	-
S_VC508DC	CD801AA	CD802AA
S2_VC508DC	2 x CD801AA	CD802AA
S3_VC508DC	CD803AA	CD802AA

Informations sur la machine	
Tension Batterie	20V
Force d'aspiration	≥10kPa
Classe IP	IPX4
Bruit	75 dB(A)
Autonomie (2.0Ah / 4.0Ah)	15min / 30min
Capacité approx. du bac	15L
Volume utile approx.	10L
Filtre - substances sèches	Filtre HEPA
Filtre - substances humides	Filtre en mousse
Longueur du tuyau	1,68 m
Diamètre du tuyau	Ø 40mm
Poids approx. (sans batterie, ni accessoires)	3,5 kg
Sac préconisé pour la récupération des poussières	VC814AA
Filtre HEPA préconisé	VC813AA

Accessoire en option	
Kit d'accessoires pour sols (tube, embout pour plancher et roulettes)	VC812AA

N° de modèle	CD801AA
Type de batterie	Lithium-Ion
Tension	20V
Capacité	2.0 Ah
Chargeur recommandé	CD802AA
Poids	0,3 kg

N° de modèle	CD802AA
Entrée chargeur	220-240V, 50Hz 0,4A
Sortie chargeur	21V 2,5A
Durée de charge batterie 2Ah	60 minutes
Durée de charge batterie 4Ah	120 minutes
Batteries recommandées	CD801AA, CD803AA
Poids	0,36 kg

N° de modèle	CD803AA
Type de batterie	Lithium-Ion
Tension	20V
Capacité	4.0 Ah
Chargeur recommandé	CD802AA
Poids	0,65 kg

N'utilisez que les batteries suivantes de la plateforme Batterie VONROC VPOWER 20V. L'utilisation de toute autre batterie pourrait provoquer de graves blessures ou endommager l'outil.

CD801AA 20V, 2Ah Lithium-Ion
CD803AA 20V, 4Ah Lithium-Ion

Le chargeur suivant peut être utilisé pour recharger ces batteries.

CD802AA Chargeur rapide

Les batteries de la plateforme Batterie VONROC VPOWER 20V sont interchangeables pour tous les outils de la plateforme Batterie VONROC VPOWER 20V.

PRÉSENTATION

Les numéros dans le texte renvoient aux diagrammes des pages 2 à 3.

1. Interrupteur Marche/Arrêt
2. Poignée de transport
3. Cache de la batterie
4. Batterie
5. Bouton de libération de la batterie
6. Attaches
7. Section haute
8. Bac
9. Prise Soufflage
10. Prise Aspiration
11. Prise d'entrée
12. Tuyau
13. Filtre en mousse
14. Filtre HEPA
15. Cage du filtre
16. Flotteur
17. Sac à poussière
18. Embout triangulaire
19. Suceur plat
20. Embout pour véhicules
21. Adaptateur pour outil électrique
22. Bouton Voyants LED de la batterie
23. Voyants LED de la batterie
24. Chargeur
25. Voyants LED du chargeur

3. ASSEMBLER L'APPAREIL



Avant d'intervenir d'une quelconque façon sur l'outil électrique, retirez la batterie.



La batterie doit être chargée avant la première utilisation.

Installer la batterie dans la machine (Fig. B1, B2)



Veillez à ce que l'extérieur de la batterie soit propre et sec avant de la raccorder au chargeur ou à la machine.

1. Insérez la batterie (4) dans la base de la machine comme illustré par les Fig. B1, B2.
2. Enfoncez la batterie jusqu'à ce qu'elle s'enclenche en place.

Retirer la batterie de la machine (Fig. B1, B2)

1. Enfoncez la bouton de libération de la batterie (5).
2. Tirez la batterie hors de la machine, comme illustré par la Fig. B1, B2.

Contrôler le niveau de charge de la batterie (Fig. C)

- Pour contrôler le niveau de charge de la batterie appuyez brièvement sur le bouton (22) sur la batterie.
- La batterie intègre 3 voyants qui indiquent le niveau de charge. Plus il y a de voyants allumés, plus le niveau de charge restant est élevé.
- Si les voyants ne s'allument pas, cela indique que la batterie est vide et qu'elle doit être rechargée immédiatement.

Recharger la batterie à l'aide du chargeur (Fig. C)

1. Retirez la batterie (4) de la machine.
2. Retournez la batterie (4) et glissez-la dans le chargeur (24), comme illustré par la Fig. C.
3. Enfoncez la batterie jusqu'à ce qu'elle soit entièrement dans la fente.
4. Branchez la prise du chargeur dans une prise de courant et patientez un moment. Les voyant LED sur le chargeur (25) s'allument et indiquent l'état du chargeur.

Le chargeur intègre 2 voyants (25) qui indiquent sont état du processus de charge :

État du VOYANT rouge	État du VOYANT vert	État du chargeur
Éteint	Éteint	Pas d'alimentation électrique
Éteint	Allumé	Mode Veille : - Il n'y a pas de batterie à l'intérieur ou - La batterie est en place mais la charge est terminée
Allumé	Éteint	Batterie en cours de charge

- La charge complète de la batterie 2Ah peut prendre jusqu'à 60 minutes.
- La charge complète de la batterie 4Ah peut prendre jusqu'à 120 minutes.

Une fois la batterie complètement rechargée, retirez la prise du chargeur de la prise murale et retirez la batterie du chargeur.



Si la machine n'est pas utilisée pendant une longue période, il est préférable de ranger la batterie complètement rechargée.

Installer le filtre (Fig. E - G)

1. Retirez la section haute (7) du bac (8), comme illustré par la figure E.
2. Installez le filtre. Veillez à installer le bon filtre en fonction de votre utilisation :
 - Pour aspirer des éléments secs, glissez soigneusement le filtre HEPA (14) sur la cage du filtre (15), en veillant à ce que l'intégralité de la cage (15) soit bien recouverte, comme illustré par la Fig. F1.
 - Pour aspirer des éléments humides, glissez soigneusement le filtre en mousse (13) sur la cage du filtre (15), en veillant à ce que l'intégralité de la cage (15) soit bien recouverte, comme illustré par la Fig. F2.
3. Installez la section haute (7) sur le bac (8), comme illustré par la figure E.

Installer le tuyau (Fig. D1, D2).

- Pour aspirer (Fig. D1), raccordez le tuyau d'aspiration (12) à la prise d'aspiration (10).
- Pour souffler (Fig. D2), raccordez le tuyau d'aspiration (12) à la prise de soufflage (9).

Raccorder l'embout voulu.**Embout triangulaire (18)**

L'embout triangulaire est prévu pour l'aspiration domestique d'éléments secs et humides, à la maison, dans les pièces en travaux ou les garages.

Suceur plat (19)

Le suceur plat est prévu pour l'aspiration domestique d'éléments secs et humides sur les rebords et les autres zones difficiles d'accès.

Embout pour l'aspiration dans les véhicules (20)

La brosse est prévue pour aspirer les solides sur de petites surfaces. Les sièges de véhicules par exemple.

Adaptateur pour outil électrique (21)

Adaptateur pour raccorder le tuyau d'aspiration à un outil électrique.

4. UTILISATION

Si l'aspirateur est renversé par accident, le mécanisme du flotteur (16) peut être amené à recouvrir le port d'aspiration du moteur et à stopper l'aspiration. Si cela se produit, redressez simplement l'aspirateur et éteignez-le, le temps que le flotteur (16) ait retrouvé sa position d'origine.



N'aspirez rien si le filtre n'est pas installé !

Mettre en marche et éteindre la machine

- Enfoncez l'interrupteur (1) sur la position "Marche/ I" pour allumer l'aspirateur.
- Enfoncez l'interrupteur (1) sur la position "Arrêt/0" pour éteindre l'aspirateur.

Aspirer des éléments secs (Fig. D1, G)

Nettoyez régulièrement le filtre HEPA (14) pour maintenir une bonne puissance d'aspiration.



Afin d'éviter l'encrassement du filtre HEPA (14), nous vous recommandons d'utiliser, en plus, un sac à poussière (17).



Les sacs à poussière (17) bouchés peuvent éclater, vous devez donc veiller à remplacer le sac au bon moment !

1. Éteignez la machine (1) et retirez la batterie.
2. Déverrouillez les attaches (6) et retirez la section haute (7).
3. Avant d'aspirer, retirez toute la poussière et tous les débris du bac (8).
4. Glissez soigneusement le filtre HEPA (14) sur la cage du filtre (15), en veillant à ce que l'intégralité de la cage soit bien recouverte, comme illustré par la Fig. F1.
5. Pour aspirer avec un sac à poussière (17) :
 - Tenez fermement l'anneau en carton du sac et glissez la protection en caoutchouc aussi loin que possible sur la prise d'entrée (11), comme illustré par la Fig. G.
 - Une fois que tout est en place, dépliez le sac (17) et positionnez-le autour des parois à l'intérieur du bac (8).
6. Réinstallez la section haute (7) et verrouillez les attaches (6).
7. Insérez une extrémité du tuyau (12) dans la prise Aspiration (10). Dépliez complètement le tuyau d'aspiration (12).

Pour aspirer :

8. Insérez la batterie.
9. Enfoncez l'interrupteur (1) sur la position "Marche/ I" pour allumer l'aspirateur.
10. La machine est alors prête à aspirer des éléments secs.
11. Enfoncez l'interrupteur (1) sur la position "Arrêt/0" pour éteindre l'aspirateur.

Pour travailler avec des outils électriques :

8. Installez l'adaptateur pour outil électrique (21) sur la sortie pour l'extraction des poussières de l'outil électrique. Utilisez un cutter si nécessaire.
9. Raccordez l'adaptateur pour outil électrique (21) sur le tuyau (12) et raccordez-le ensuite sur la sortie pour l'extraction des poussières de l'outil électrique.
11. Insérez la batterie.
12. Enfoncez l'interrupteur (1) sur la position "Marche/ I" pour allumer l'aspirateur.
13. La machine est alors prête à aspirer des éléments secs.
14. Enfoncez l'interrupteur (1) sur la position "Arrêt/O" pour éteindre l'aspirateur.

Aspirer des éléments humides (Fig. F2)

L'aspirateur est équipé d'un flotteur (16). La puissance d'aspiration diminue une fois le niveau de remplissage maximum atteint. Éteignez (1) alors l'aspirateur immédiatement. Videz le bac (8).



Nettoyez le flotteur (16) et vérifiez qu'il n'est pas endommagé à intervalles réguliers. L'appareil pourrait sinon ne pas fonctionner correctement.



N'entrez jamais en contact avec l'eau venant être aspirée. Risque de décharge électrique.



Éteignez immédiatement la machine avec son interrupteur (1) si vous constatez la formation de mousse ou si du liquide s'en échappe !



N'utilisez pas de sac à poussière (17) !

1. Enfoncez l'interrupteur (1) sur la position "Arrêt/O" et retirez la batterie.
2. Déverrouillez les attaches (6) et retirez la section haute (7).
3. Avant d'aspirer des éléments humides, retirez le sac à poussière (17), le filtre HEPA (14) et retirez toute la poussière et tous les débris du bac (8).
4. Glissez soigneusement le filtre en mousse (13) sur la cage du filtre (15), en veillant à ce que l'intégralité de la cage soit bien recouverte, comme illustré par la Fig. F2.

5. Réinstallez la section haute (7) et verrouillez les attaches (6).
6. Insérez une extrémité du tuyau (12) dans la prise Aspiration (10). Dépliez complètement le tuyau d'aspiration (12).
7. Insérez la batterie.
8. Enfoncez l'interrupteur (1) sur la position "Marche/ I" pour allumer l'aspirateur.
9. La machine est alors prête à aspirer des éléments humides.
10. Enfoncez l'interrupteur (1) sur la position "Arrêt/O" pour éteindre l'aspirateur.
11. Soulevez le tuyau (12) pour que le liquide s'écoule dans le bac (8).
12. Videz le bac (8) immédiatement après l'aspiration car il n'est pas prévu pour conserver des liquides à l'intérieur.

Fonction Soufflage (Fig. D2)

L'utilisation sans filtre est recommandée.



Retirez toute la poussière et tous les débris du bac (8) avant d'utiliser la fonction Soufflage.

Votre aspirateur dispose d'une fonction Soufflage. Elle peut servir pour souffler les poussières et les débris hors des garages, des patios ou des allées. Nous vous recommandons d'utiliser le suceur plat (19) pour obtenir un jet d'air plus important.

1. Enfoncez l'interrupteur (1) sur la position "Arrêt/O" et retirez la batterie.
2. Déverrouillez les attaches (6) et retirez la section haute (7).
3. Avant le soufflage, retirez le sac à poussière (17), le filtre (13 ou 14) et retirez tous les débris du bac (8).
4. Réinstallez la section haute (7) et verrouillez les attaches (6).
5. Insérez une extrémité du tuyau (12) dans la prise Soufflage (9) à l'arrière de la machine. Dépliez complètement le tuyau d'aspiration (12).
6. Insérez la batterie(4).
7. Enfoncez l'interrupteur (1) sur la position "Marche/ I" pour allumer l'aspirateur.
8. La machine est alors prête à souffler la poussière ou les débris.
9. Enfoncez l'interrupteur (1) sur la position "Arrêt/O" pour éteindre l'aspirateur.

Après l'utilisation

1. Enfoncez l'interrupteur (1) sur la position "Arrêt/0" pour éteindre l'aspirateur. Retirez la batterie.
2. Retirez la section haute (7) et videz le bac (8).
3. Nettoyez la machine à l'aide d'un chiffon doux et rangez la machine dans une pièce au sec.

5. MAINTENANCE

Avant toute opération de nettoyage et de maintenance, éteignez toujours la machine et retirez la batterie.

Nettoyez régulièrement l'enveloppe de la machine à l'aide d'un chiffon doux et de préférence après chaque utilisation. Veillez à que les ouvertures d'aération restent exemptes de poussière et de saletés. Supprimez les taches tenaces à l'aide d'un chiffon doux légèrement humide et d'une solution savonneuse. N'utilisez aucun solvant comme de l'essence, de l'alcool, de l'ammoniaque, etc. car ces produits chimiques peuvent endommager les composants synthétiques.

Bac

Videz le bac (8) immédiatement après l'aspiration car il n'est pas prévu pour conserver des liquides à l'intérieur.

1. Retirez la section haute (6) et videz le bac (8).
2. Nettoyez la machine à l'aide d'un chiffon doux.

Filtres

Pour que les performances restent optimales, il est recommandé de remplacer les filtres (13, 14) régulièrement, en fonction de l'utilisation.

Filtre HEPA :

1. Retirez le filtre HEPA (14) avec précaution.
2. Nettoyez la surface du filtre à l'aide d'une brosse.
3. Lavez le filtre avec de l'eau à 40° avec précaution.
4. Laissez complètement sécher le filtre avant de le réinstaller et de le réutiliser.
5. Réinstallez le filtre.

Filtre en mousse :

1. Retirez le filtre en mousse (13) avec précaution.
2. Lavez le filtre avec de l'eau à 40° avec précaution.

3. Laissez complètement sécher le filtre avant de le réinstaller et de le réutiliser.
4. Réinstallez le filtre.

Flotteur et cage du filtre

À intervalles réguliers, nettoyez le flotteur (16) et la cage du filtre (15) et contrôlez qu'ils ne sont pas endommagés. L'appareil pourrait sinon ne pas fonctionner correctement.

ENVIRONNEMENT

Les appareils électriques et électroniques défectueux ou en fin de vie doivent être rapportés dans des sites de recyclage appropriés.

Pour les pays de la Communauté Européenne uniquement

Ne jetez pas les outils électriques avec les déchets ménagers. Conformément à la Directive Européenne 2012/19/EU relative à l'élimination des déchets électriques et électroniques et sa transposition dans la législation nationale, les outils électriques inutilisables doivent être collectés séparément et être jetés de façon écologique.

GARANTIE

Les produits VONROC sont développés avec les normes de qualité les plus hautes et ils sont garantis pour être exempts de défaut de pièces et de main d'œuvre pour la durée stipulée par la loi et à compter de la date d'achat initiale. Si, au cours de cette période, le produit devait rencontrer une quelconque panne due à un défaut de pièce ou de main d'œuvre, contactez VONROC directement.

Les conditions suivantes sont exclues de la garantie :

- Réparations ou modifications sur la machine, faites ou tentées par des réparateurs non agréés ;
- Usure normale ;
- Utilisation abusive ou incorrecte ou maintenance incorrecte de l'outil ;
- Utilisation de pièces détachées non d'origine.

Ceci constitue l'unique garantie, explicite ou implicite, proposée par la société. Il n'existe aucune autre garantie, explicite ou implicite, qui puisse dépasser le cadre de la présente garantie, y compris les garanties implicites de qualité marchande et

d'adaptation à un usage particulier. En aucun cas, VONROC ne saurait être tenu responsable pour les dommages accidentels ou consécutifs. Les recours des revendeurs sont limités à la réparation ou au remplacement des équipements ou des pièces non conformes.

Le produit et la notice d'utilisation sont sujets à modifications. Les caractéristiques peuvent être modifiées sans notification préalable.

1. INSTRUCCIONES DE SEGURIDAD

Lea las advertencias de seguridad, las advertencias de seguridad adicionales y las instrucciones adjuntas. Si no respeta las advertencias de seguridad y las instrucciones, pueden ocasionarse descargas eléctricas, incendios y/o lesiones graves. Guarde las advertencias de seguridad y las instrucciones para su futura consulta.

En el manual de usuario y en el producto se emplean los siguientes símbolos:



Lea el manual de usuario.



Solo para uso en interiores



Minifusible de acción retardada.



No arroje la batería al fuego.



No arroje la batería al agua.



No tire el producto en contenedores inadecuados.



Efectúe la recogida selectiva de la batería de iones de litio.



Máquina de clase II - Doble aislamiento - No necesita enchufe con puesta a tierra.



El producto es conforme a las normas de seguridad aplicables establecidas en las directivas europeas.

NOTAS RELATIVAS A LA SEGURIDAD

ESTE APARATO PUEDE SER UTILIZADO POR NIÑOS A PARTIR DE 8 AÑOS DE EDAD Y POR PERSONAS CON CAPACIDADES FÍSICAS, SENSORIALES O MENTALES REDUCIDAS O QUE CAREZCAN DE EXPERIENCIA Y CONOCIMIENTOS, SI ESTÁN SUPERVISADAS O CAPACITADAS SOBRE EL USO DEL APARATO DE MODO SEGURO Y SI COMPRENDEN LOS PELIGROS QUE SUPONE. LOS NIÑOS NO DEBEN JUGAR CON EL APARATO. LA LIMPIEZA Y EL MANTENIMIENTO DE USUARIO NO DEBEN SER EFECTUADOS POR NIÑOS, SIN SUPERVISIÓN.

- **No aspire materiales perjudiciales para la salud, por ejemplo, polvo de madera de haya**

o roble, polvo de mampostería o amianto. Tales materiales se consideran cancerígenos. **Infórmele de las normas/leyes vigentes en su país sobre la manipulación de materiales peligrosos para la propia salud.**

- **Utilice la aspiradora únicamente si entiende y puede realizar todas las operaciones sin limitaciones o si ha recibido las debidas instrucciones**. Una introducción exhaustiva reduce los errores de manejo y las lesiones.
- **No utilice nunca la aspiradora para líquidos/sólidos sin un filtro. Compruebe siempre que los filtros estén bien colocados.**
- **La aspiradora puede guardarse solo en lugares interiores.** Si entra la lluvia o humedad en la tapa de la aspiradora, aumenta el riesgo de descarga eléctrica.
- No aspire polvos calientes o ardientes ni en lugares donde haya riesgo de explosión. El polvo puede encenderse o explotar.
- Retire la batería de la aspiradora antes de realizar el mantenimiento o la limpieza, antes de realizar ajustes o cambiar accesorios y antes de guardarla. Esta medida de seguridad evita el arranque accidental de la aspiradora.
- Proporcione una buena ventilación en el lugar de trabajo.
- Haga reparar la aspiradora únicamente por especialistas cualificados, que usen solo piezas de repuesto originales. Esto garantiza el mantenimiento de la seguridad de la aspiradora.
- No limpie la aspiradora apuntándole directamente un chorro de agua. En caso de que penetre agua en la tapa de la aspiradora, aumenta el riesgo de descarga eléctrica.
- Cuando no use la aspiradora, guárdela en modo seguro.
- El lugar de almacenamiento debe ser seco y debe poder cerrarse con llave. Esto evita que la aspiradora se dañe cuando esté guardada y que sea utilizada por personas inexpertas.
- El dispositivo no es apto para uso comercial o industrial.
 - No la utilice para aspirar sustancias húmedas ni líquidos.
 - No la utilice para aspirar cenizas ni hollín.
 - No la utilice para aspirar escombros de construcción.

ADVERTENCIAS DE SEGURIDAD PARA LA BATERÍA

- a) **No abra la batería.** Peligro de cortocircuito.
- b) **Proteja la batería del calor, p. ej., de la luz solar intensa continua, los incendios, el agua y la humedad.** Peligro de explosión.
- c) **En caso de daño y de uso incorrecto de la batería, esta puede emitir vapores. Ventile el área y consulte a un médico si se siente mal.** Los vapores pueden irritar el sistema respiratorio.
- d) **Utilice la batería solo junto con su producto Vonroc.** Esta medida protege la batería de sobrecargas peligrosas.
- e) **La batería puede sufrir daños ocasionados por objetos puntiagudos tales como clavos o destornilladores o por fuerzas aplicadas externamente.** Puede producirse un cortocircuito interno que dé lugar a que la batería se incendie, emita humo, explote o se caliente en exceso.

ADVERTENCIAS DE SEGURIDAD PARA EL CARGADOR

Uso previsto

Cargue solo las baterías recargables de tipo CD801AA y CD803AA con el cargador. Otros tipos de baterías pueden estallar y causar lesiones y daños.

- a) **El aparato no debe ser usado por personas (incluidos niños) con capacidad física, sensorial o mental reducida, o que no tengan experiencia o conocimiento suficientes, salvo que hayan sido capacitadas o estén bajo supervisión.**
- b) **Controle que los niños no jueguen con el aparato.**
- c) **¡No recargue baterías no recargables!**
- d) **Durante la carga, ¡las baterías deben dejarse en un lugar bien ventilado!**

2. INFORMACIÓN SOBRE LA MÁQUINA

Uso previsto

La aspiradora es apta para aspirar líquidos y sólidos si se usa con el respectivo filtro suministrado. También puede utilizarse como extractor de polvo manual para herramientas eléctricas. La aspiradora no ha sido concebida para aspirar polvos inflamables, explosivos o peligrosos. El dispositivo no ha sido diseñado para uso comercial o industrial.

ESPECIFICACIONES TÉCNICAS



Este manual ha sido redactado para diferentes números de juegos / artículos. Compruebe el número de artículo correspondiente en la siguiente tabla de especificaciones para conseguir la composición y el contenido correctos de su juego.

Modelo n.º	Baterías incluidas	Cargadores incluidos
VC508DC	-	-
S_VC508DC	CD801AA	CD802AA
S2_VC508DC	2 x CD801AA	CD802AA
S3_VC508DC	CD803AA	CD802AA

Información de la máquina	
Voltaje de la batería	20 V
Fuerza de aspiración	≥ 10 kPA
Clase IP	IPX4
Ruido	75 dB(A)
Tiempo de trabajo (2.0 Ah / 4.0 Ah)	15 min / 30 min
Capacidad aprox. contenedor	15 L
Volumen útil aprox.	10 L
Filtro – sólidos	Filtro HEPA
Filtro – líquidos	Filtro de espuma
Longitud de la manguera	1,68 m
Diámetro manguera	Ø 40 mm
Peso aprox. (sin batería ni accesorios)	3,5 kg
Bolsa de recogida polvo recomendada	VC814AA
Filtro HEPA recomendado	VC813AA

Accesorio opcional	
Juego de accesorios para suelos (tubo, boquilla para suelos y ruedas)	VC812AA

Modelo n.º	CD801AA
Tipo de batería	Iones de litio
Voltaje	20 V
Capacidad	2,0 Ah
Cargador recomendado	CD802AA
Peso	0,3 kg

Modelo n.º	CD802AA
Entrada del cargador	220-240 V, 50 Hz 0,4 A
Salida del cargador	21 V 2,5 A
Tiempo de carga batería 2 Ah	60 minutos
Tiempo de carga batería 4 Ah	120 minutos
Baterías recomendadas	CD801AA, CD803AA
Peso	0,36 kg

Modelo n.º	CD803AA
Tipo de batería	Iones de litio
Voltaje	20 V
Capacidad	4,0 Ah
Cargador recomendado	CD802AA
Peso	0,65 kg

Use solo las siguientes baterías de la plataforma de baterías VONROC VPOWER 20V. El uso de cualquier otra batería puede causar lesiones graves o dañar la herramienta.

CD801AA 20 V, 2 Ah, iones de litio
 CD803AA 20 V, 4 Ah, iones de litio

Para cargar estas baterías se puede utilizar el siguiente cargador de batería.

CD802AA Cargador rápido

Las baterías de la plataforma de baterías VONROC VPOWER 20V son intercambiables con todas las herramientas de la plataforma de baterías VONROC VPOWER de 20 V.

DESCRIPCIÓN

Los números del texto se refieren a los diagramas de las páginas 2-3.

1. Interruptor de encendido/apagado
2. Asa de transporte

3. Tapa de la batería
4. Batería
5. Botón de desbloqueo de la batería
6. Abrazadera de bloqueo
7. Sección superior
8. Contenedor
9. Toma de soplado
10. Toma de aspiración
11. Toma de entrada
12. Manguera
13. Filtro de espuma
14. Filtro HEPA
15. Cesto del filtro
16. Flotador
17. Bolsa de recogida de polvo
18. Boquilla triangular
19. Boquilla estrecha
20. Accesorio para coches
21. Adaptador de corriente
22. Botón de indicadores LED de batería
23. Indicadores LED de la batería
24. Cargador
25. Indicadores de LED del cargador

3. MONTAJE



Antes de realizar cualquier trabajo en la herramienta eléctrica, extraiga la batería.



Hay que cargar la batería antes del primer uso.

Colocación de la batería en la máquina (Fig. B1, B2)



Compruebe que el exterior de la batería esté limpio y seco antes de conectarla al cargador o a la máquina.

1. Inserte la batería (4) en la base de la máquina, como se muestra en la Fig. B1, B2.
2. Pulse la batería más hacia delante hasta que haga clic en su sitio.

Extracción de la batería de la máquina (Fig. B1, B2)

1. Presione el botón de desbloqueo de la batería (5).
2. Saque la batería de la máquina como se muestra en la Fig. B1, B2.

Comprobación del estado de carga de la batería (Fig. C)

- Para comprobar el estado de carga de la batería, pulse brevemente el botón (22) de la batería.

- La batería tiene 3 luces que indican el nivel de carga, cuantas más luces estén encendidas, más batería queda.
- Cuando las luces están apagadas significa que la batería está vacía y debe cargarse inmediatamente.

Carga de la batería con el cargador (Fig. C)

1. Saque la batería (4) de la máquina.
2. Dé vuelta la batería (4) y deslícela en el cargador (24) como se muestra en la Fig. C.
3. Empuje la batería hasta que quede totalmente colocada en la ranura.
4. Enchufe el enchufe del cargador en una toma de corriente y espere un poco. Los indicadores de LED del cargador (25) se encenderán y mostrarán el estado del cargador.

El cargador tiene 2 indicadores de LED (25) que indican el estado del proceso de carga:

Estado del LED rojo	Estado del LED verde	Estado del cargador
Apagado	Apagado	Sin energía
Apagado	Encendido	Modo de espera: - No hay ninguna batería insertada, o - se ha insertado la batería, pero ha finalizado el proceso de carga.
Encendido	Apagado	Carga de la batería en curso

- La carga completa de la batería de 2 Ah puede llevar hasta 60 minutos.
- La carga completa de la batería de 4 Ah puede llevar hasta 120 minutos.

Cuando la batería esté totalmente cargada, desenchufe el enchufe del cargador de la toma de corriente y extraiga la batería del cargador.



Cuando la máquina no se utiliza por un largo periodo de tiempo, es conveniente guardar la batería cargada.

Montaje del filtro (Fig. E - G)

1. Retire la sección superior (7) del contenedor (8) como se muestra en la Fig. E.
2. Monte el filtro. Asegúrese de instalar el filtro correcto, según la aplicación:

- Para la aspiración de sólidos, deslice cuidadosamente el filtro HEPA (14) por el cesto del filtro (15) comprobando que este quede totalmente cubierto, como se muestra en la Fig. F1.
 - Para la aspiración de líquidos, deslice con cuidado el filtro de espuma (13) por el cesto del filtro (15) comprobando este quede totalmente cubierto, como se muestra en la Fig. F2.
3. Coloque la sección superior (7) en el contenedor (8), como se muestra en la Fig. E.

Conexión de la manguera (Fig. D1, D2).

- Para aspirar (Fig. D1), conecte la manguera de aspiración (12) en la toma de aspiración (10).
- Para el soplado (Fig. D2), conecte la manguera de aspiración (12) en la toma de soplado (9).

Conexión de la boquilla deseada.

Boquilla triangular (18)

La boquilla triangular ha sido diseñada para la aspiración doméstica de líquidos y sólidos en lugares tales como viviendas, salas de trabajo o garajes.

Boquilla estrecha (19)

La boquilla estrecha ha sido diseñada para aspirar en mojado y en seco en ambientes domésticos, para bordes y otras zonas de difícil acceso.

Herramienta de aspiración para coches (20)

El cepillo ha sido diseñado para aspirar material sólido en zonas pequeñas. Por ejemplo, asientos de coches.

Adaptador para herramientas eléctricas (21)

Adaptador para conectar la manguera de aspiración a una herramienta eléctrica.

4. FUNCIONAMIENTO



Si la aspiradora se vuelca accidentalmente, el mecanismo de cierre del flotador (16) puede tapar la boca de aspiración del motor y detener la aspiración. Si esto sucede, solo tiene que colocar la aspiradora en posición vertical y apagarla hasta que el flotador (16) vuelva a su posición normal.



¡No aspire sin filtro!

Encendido y apagado de la máquina

- Pulse el interruptor de encendido (1) hacia la posición "ON/I" para poner en marcha la aspiradora.
- Pulse el interruptor de encendido (1) hacia la posición "OFF/O" para apagar la aspiradora.

Aspiración de sólidos (Fig. D1, G)



Limpie periódicamente el filtro HEPA (14) para mantener la potencia de aspiración.



Para evitar que el filtro HEPA (14) se obstruya, recomendamos el uso adicional de una bolsa de recogida de polvo (17).



Si la bolsa de recogida de polvo (17) se obstruye puede reventarse. Por lo tanto, ¡sustituya la bolsa de recogida de polvo a tiempo!

1. Apague (1) la máquina y retire la batería.
2. Destrabe la abrazadera de bloqueo (6) y quite la parte superior (7).
3. Antes de aspirar, retire toda la suciedad y los restos del contenedor (8).
4. Deslice cuidadosamente el filtro HEPA (14) hacia abajo por el cesto del filtro (15) comprobando que este quede totalmente cubierto, como se muestra en la Fig. F1.
5. Para aspirar con la bolsa de recogida de polvo (17):
 - Sujete el collarín de cartón con fuerza y deslice totalmente el elemento de protección de goma por la toma de entrada (11), como se muestra en la Fig. G.
 - Cuando todo esté en su sitio, despliegue la bolsa (17) y acomódelo alrededor de las paredes interiores del contenedor (8).
6. Vuelva a colocar la sección superior (7) y trabe la abrazadera de bloqueo (6).
7. Introduzca un extremo de la manguera (12) en la toma de aspiración (10). Desenrolle por completo la manguera de aspiración (12).

Para aspirar:

8. Introduzca la batería.
9. Pulse el interruptor de encendido (1) hacia la posición "ON/I" para poner en marcha la aspiradora.
10. Ahora la máquina está lista para ser utilizada para la aspiración de sólidos.
11. Pulse el interruptor de encendido (1) hacia la posición "OFF/O" para apagar la aspiradora.

Para trabajar con herramientas eléctricas:

8. Adapte el adaptador para herramientas eléctricas (21) a la toma de aspiración de la herramienta eléctrica. Use un cuchillo si es necesario.
9. Conecte el adaptador de la herramienta eléctrica (21) en la manguera (12) y conéctelo en la toma de extracción de polvo de la herramienta eléctrica.
11. Introduzca la batería.
12. Pulse el interruptor de encendido (1) hacia la posición "ON/I" para poner en marcha la aspiradora.
13. Ahora la máquina está lista para ser utilizada para la aspiración de sólidos.
14. Pulse el interruptor de encendido (1) hacia la posición "OFF/O" para apagar la aspiradora.

Aspiración de líquidos (Fig. F2)

La aspiradora está dotada de un flotador (16). La potencia de aspiración disminuye cuando se alcanza el nivel máximo de llenado. Apague (1) la aspiradora de inmediato. Vacíe el contenedor (8).



Limpie el flotador (16) a intervalos periódicos y compruebe que no esté dañado. De lo contrario, su funcionamiento puede verse afectado.



Nunca introduzca las manos en el agua que vaya a aspirar. Peligro de descarga eléctrica.



¡Apague inmediatamente (1) la máquina si se forma espuma o si salen líquidos!



¡No utilice la bolsa de recogida de polvo (17)!

1. Pulse el interruptor de encendido (1) hacia la posición "OFF/O" y retire la batería.
2. Destrabe la abrazadera de bloqueo (6) y quite la parte superior (7).
3. Antes de aspirar líquidos, retire la bolsa de recogida de polvo (17) y el filtro HEPA (14) y elimine toda la suciedad y los residuos del contenedor (8).
4. Deslice cuidadosamente el filtro de espuma (13) hacia abajo por el cesto del filtro (15) comprobando este quede totalmente cubierto, como se muestra en la Fig. F2.
5. Vuelva a colocar la sección superior (7) y trabe

- la abrazadera de bloqueo (6).
6. Introduzca un extremo de la manguera (12) en la toma de aspiración (10). Desenrolle por completo la manguera de aspiración (12).
7. Introduzca la batería.
8. Pulse el interruptor de encendido (1) hacia la posición "ON/I" para poner en marcha la aspiradora.
9. Ahora la máquina está lista para la aspiración de líquidos.
10. Pulse el interruptor de encendido (1) hacia la posición "OFF/O" para apagar la aspiradora.
11. Levante la manguera (12) para que los líquidos se escurran hacia el contenedor (8).
12. Vacíe el contenedor (8) inmediatamente después de la aspiración, pues no ha sido diseñado para almacenar líquidos.

Función de soplado (Fig. D2)

Para esta función, se recomienda no usar ningún filtro.



Retire toda la suciedad y los restos del contenedor (8) antes de usar la función de soplado.

La aspiradora está equipada con una función de soplado. Se puede utilizar para soplar el polvo y los residuos para sacarlos de garajes, patios o caminos de acceso. Recomendamos utilizar la boquilla estrecha (19) para obtener un flujo de aire más intenso.

1. Pulse el interruptor de encendido (1) hacia la posición "OFF/O" y retire la batería.
2. Destrabe la abrazadera de bloqueo (6) y quite la parte superior (7).
3. Antes de soplar, retire la bolsa de recogida de polvo (17) y el filtro (13, 14) y saque toda la suciedad y los restos del contenedor (8).
4. Vuelva a colocar la sección superior (7) y trabe la abrazadera de bloqueo (6).
5. Introduzca un extremo de la manguera (12) en la toma de soplado (9) de la parte trasera de la máquina. Desenrolle por completo la manguera de aspiración (12).
6. Introduzca la batería (4).
7. Pulse el interruptor de encendido (1) hacia la posición "ON/I" para poner en marcha la aspiradora.
8. La máquina ahora está lista para soplar polvo y residuos.
9. Pulse el interruptor de encendido (1) hacia la posición "OFF/O" para apagar la aspiradora.

Finalización de la operación

1. Pulse el interruptor de encendido (1) hacia la posición "OFF/0" para apagar la aspiradora. Extraiga la batería.
2. Quite la parte superior (7) y vacíe el contenedor (8).
3. Limpie la máquina con un paño suave y guárdela en un lugar seco.

5. MANTENIMIENTO

Antes de efectuar la limpieza y el mantenimiento, apague siempre la máquina y retire la batería.

Limpie periódicamente la carcasa de la máquina con un paño suave, preferentemente después de cada uso. Compruebe que los orificios de ventilación estén libres de polvo y suciedad. Elimine el polvo persistente utilizando un paño suave humedecido con agua y jabón. No use disolventes tales como gasolina, alcohol, amoníaco, etc. Tales productos químicos pueden dañar los componentes sintéticos.

Contenedor

Vacíe el contenedor (8) inmediatamente después de aspirar pues no ha sido diseñado para almacenar líquidos.

1. Quite la parte superior (6) y vacíe el contenedor (8).
2. Limpie la máquina con un paño suave.

Filtros

Para un rendimiento óptimo, se recomienda cambiar periódicamente los filtros (13, 14) dependiendo del nivel de uso.

Filtro Hepa:

1. Retire con cuidado el filtro HEPA (14).
2. Limpie la superficie del filtro con un cepillo.
3. Lave los filtros suavemente con agua a temperatura inferior a 40 grados.
4. Deje que el filtro se seque al aire antes de volver a instalarlo y usarlo.
5. Vuelva a colocar el filtro.

Filtro de espuma:

1. Retire con cuidado el filtro de espuma (13).
2. Lave los filtros suavemente con agua a temperatura inferior a 40 grados.

3. Deje que el filtro se seque al aire antes de volver a instalarlo y usarlo.
4. Vuelva a colocar el filtro.

Flotador y cesto del filtro

Limpie periódicamente el flotador (16) y el cesto del filtro (15) con un paño suave y compruebe que no estén dañados. De lo contrario, su funcionamiento puede verse afectado.

MEDIOAMBIENTE

Los aparatos eléctricos o electrónicos defectuosos y/o desechados deben recogerse en lugares de reciclado apropiado.

Solo para países de la Comunidad Europea

No elimine las herramientas eléctricas como residuos domésticos. De acuerdo con la Directiva europea 2012/19/EU sobre residuos de aparatos eléctricos y electrónicos, y su transposición a las legislaciones nacionales, las herramientas eléctricas que ya no se utilizan deben recogerse por separado y eliminarse en modo ecológico.

GARANTÍA

Los productos VONROC han sido fabricados con los estándares de calidad más elevados y garantizamos que están exentos de defectos relacionados con los materiales y la mano de obra durante el período legalmente establecido a partir de la fecha de compra original. Si, durante este período, el producto presenta algún fallo de los materiales y/o la mano de obra, póngase en contacto directamente con VONROC.

Las siguientes circunstancias están excluidas de esta garantía:

- Si se han realizado o se ha intentado realizar reparaciones o alteraciones en la máquina por parte de centros de servicio no autorizados.
- Desgaste normal.
- La herramienta ha sido usada impropia, mal utilizada o mantenida incorrectamente.
- Si se han utilizado piezas de repuesto no originales.

Esta constituye la única garantía, expresa e implícita, ofrecida por la empresa. No existen otras garantías expresas o implícitas distintas a la especificada en el presente documento, incluidas las garantías implícitas de comerciabilidad y de adecuación a un propósito particular. VONROC no será responsable bajo ninguna circunstancia de ningún daño incidental o consecuente. Los cursos de los distribuidores están limitados a la reparación o sustitución de las unidades o piezas no conformes.

El producto y el manual de usuario están sujetos a variaciones. Las especificaciones pueden variar sin aviso previo.

1. ISTRUZIONI DI SICUREZZA

Leggere le avvertenze di sicurezza, le avvertenze di sicurezza aggiuntive e le istruzioni contenute in questo manuale. Il mancato rispetto delle avvertenze e istruzioni di sicurezza potrebbe dar luogo a scosse elettriche, incendi e/o lesioni personali gravi. Conservare le avvertenze di sicurezza e le istruzioni per riferimenti futuri.

I simboli riportati di seguito vengono utilizzati all'interno del manuale d'uso oppure sono indicati sul prodotto:



Leggere il manuale d'uso.



Solo per uso in ambienti chiusi



Fusibile miniaturizzato ritardato.



Non gettare la batteria nel fuoco.



Non gettare la batteria nell'acqua.



Non smaltire il prodotto in contenitori non idonei.



Raccolta differenziata per la batteria agli ioni di litio.



Apparecchio di Classe II - Doppio isolamento - Non è necessario il collegamento a terra.



Il prodotto è conforme alle norme di sicurezza applicabili ai sensi delle direttive europee vigenti.

NOTE DI SICUREZZA

QUESTO APPARECCHIO PUÒ ESSERE UTILIZZATO DAI BAMBINI DAGLI 8 ANNI IN SU E DA PERSONE CON CAPACITÀ FISICHE, SENSORIALI O MENTALI RIDOTTE O CON MANCANZA DI ESPERIENZA, PURCHÉ SIANO SORVEGLIATI OD OPPORTUNAMENTE ISTRUITI SU COME UTILIZZARLO IN SICUREZZA E COMPREDANO I PERICOLI INERENTI. ACCERTARSI CHE I BAMBINI NON GIOCHINO CON L'APPARECCHIO. GLI INTERVENTI DI PULIZIA E MANUTENZIONE PREVISTI DA PARTE DELL'UTILIZZATORE NON DEVONO ESSERE SVOLTI DA BAMBINI NON SORVEGLIATI.

- **Non aspirare materiali nocivi per la salute delle persone, quali ad esempio polvere generata dal legno di faggio o quercia, polvere di muratura o amianto.** I suddetti materiali sono considerati sostanze cancerogene. **Informarsi in merito alle normative/leggi vigenti nel proprio Stato in materia di movimentazione di materiali pericolosi per la salute.**
- **Usare l'aspiratore solo se si sono comprese appieno le relative funzionalità e se si è in grado di eseguirle tutte senza limitazioni, oppure se si sono ricevute istruzioni adeguate.** Una preparazione approfondita riduce la probabilità che l'apparecchio venga usato in modo errato o che si verifichino lesioni a persone.
- **Non usare mai l'aspiratore per solidi/liquidi senza un filtro. Assicurarsi sempre che i filtri siano inseriti saldamente in sede.**
- **L'aspiratore può essere conservato solo in ambienti chiusi.** L'eventuale infiltrazione di pioggia e umidità all'interno del coperchio dell'aspiratore aumenterebbe il rischio che si verifichi una scossa elettrica.
- Non aspirare polveri di materiale molto caldo o ardente e in ambienti a rischio di esplosione. Le polveri possono incendiarsi o esplodere.
- Estrarre il pacco batteria dall'aspiratore prima di effettuare interventi di manutenzione o pulizia, eseguire regolazioni, cambiare gli accessori o riporre l'apparecchio. Questa precauzione previene l'avvio accidentale dell'aspiratore.
- Provvedere a una buona ventilazione dell'ambiente di lavoro.
- Fare riparare l'aspiratore esclusivamente da tecnici qualificati e solo impiegando ricambi originali. In questo modo viene garantita la sicurezza del prodotto.
- Non pulire l'aspiratore puntandovi contro un getto d'acqua diretto. L'eventuale infiltrazione di acqua all'interno del coperchio dell'aspiratore aumenta il rischio che si verifichi una scossa elettrica.
- Quando l'aspiratore non viene usato conservarlo in condizioni di sicurezza.
- Custodire l'apparecchio in un luogo asciutto chiudibile a chiave. In tal modo si evita che l'aspiratore sia danneggiato o utilizzato da persone inesperte.
- Questo apparecchio non è idoneo per l'uso in ambienti commerciali o industriali.
 - Non usarlo per aspirare sostanze umide o liquidi.

- Non usarlo per aspirare cenere o fuliggine.
- Non usarlo per aspirare rottami edili.

AVVERTENZE DI SICUREZZA PER LA BATTERIA

- a) **Non aprire la batteria.** Pericolo di cortocircuito.
- b) **Proteggere la batteria dal calore (come ad esempio dalla luce solare intensa), dal fuoco, dall'acqua e dall'umidità.** Pericolo di esplosione.
- c) **In caso di danni e uso improprio della batteria, potrebbero essere emessi dei vapori. Ventilare l'area e rivolgersi a un medico in caso di malessere.** I vapori possono irritare l'apparato respiratorio.
- d) **Utilizzare la batteria solo in combinazione con il prodotto Vonroc.** Questo accorgimento protegge la batteria da un sovraccarico pericoloso.
- e) **La batteria può essere danneggiata da oggetti appuntiti come chiodi o cacciaviti o da una forza applicata esternamente.** Vi è la possibilità che si verifichi un cortocircuito interno e che la batteria bruci, emetta del fumo, esploda o si surriscaldi.

AVVERTENZE DI SICUREZZA PER IL CARICABATTERIE

Uso previsto

Caricare esclusivamente pacchi batteria di tipo CD801AA and CD803AA con il caricabatterie. Batterie di tipi diversi potrebbero esplodere provocando lesioni personali e danni.

- a) **L'apparecchio non deve essere usato da persone con capacità fisiche, sensoriali o mentali ridotte (bambini inclusi) o che non hanno alcuna esperienza o conoscenza dell'apparecchio, a meno che non siano sorvegliate o siano state istruite sull'uso del prodotto.**
- b) **Accertarsi che i bambini non giochino con il caricabatterie.**
- c) **Non ricaricare batterie non ricaricabili!**
- d) **Mentre il caricabatteria è in funzione sistemarlo in un luogo ben ventilato!**

2. INFORMAZIONI RELATIVE ALL'APPARECCHIO

Uso previsto

Questo aspiratore è adatto per l'aspirazione di solidi con l'ausilio del filtro fornito in dotazione. Inoltre, può essere usato come aspiratore portatile da collegare a un elettrotensile. Esso non è destinato all'aspirazione di polveri di sostanze infiammabili,

esplosive o pericolose. Questo apparecchio non è idoneo per l'uso in ambienti commerciali o industriali.

DATI TECNICI



Il presente manuale d'uso è stato predisposto per diversi set / codici articolo. Verificare il codice articolo corrispondente nella tabella di sottostante per la composizione e i contenuti corretti del proprio set.

Codice modello	Batterie incluse	Caricabatterie inclusi
VC508DC	-	-
S_VC508DC	CD801AA	CD802AA
S2_VC508DC	2 x CD801AA	CD802AA
S3_VC508DC	CD803AA	CD802AA

Informazioni relative all'apparecchio	
Tensione batteria	20 V
Forza di aspirazione	≥10 kPa
Classe di protezione IP	IPX4
Livello di rumorosità	75 dB (A)
Autonomia di funzionamento (2,0 Ah/4,0 Ah)	15 min / 30 min
Capienza contenitore	ca. 15 l
Capacità utile	ca.10 l
Filtro - secco	Filtro HEPA
Filtro - umido	Filtro di spugna
Lunghezza tubo	1,68 m
Diametro tubo	Ø 40 mm
Peso (senza batteria e accessori)	ca. 3,5 kg
Sacchetto raccogli-polvere	VC814AA
Filtro HEPA consigliato	VC813AA

Accessori opzionali	
Set di accessori per pavimenti (tubo rigido, bocchetta per pavimenti e ruote)	VC812AA

Codice modello	CD801AA
Tipo di batteria	Ioni di litio
Tensione	20 V
Capacità	2.0 Ah
Caricabatteria raccomandato	CD802AA
Peso	0,3 kg

Codice modello	CD802AA
Ingresso del caricabatteria	220-240V, 50Hz 0.4A
Uscita del caricabatteria	21V 2.5A
Tempo di ricarica batteria 2Ah	60 minuti
Tempo di ricarica batteria 4Ah	120 minuti
Batterie consigliate	CD801AA, CD803AA
Peso	0,36 kg

Codice modello	CD803AA
Tipo di batteria	Ioni di litio
Tensione	20 V
Capacità	4.0 Ah
Caricabatteria raccomandato	CD802AA
Peso	0,65 kg

Utilizzare esclusivamente le batterie seguenti della piattaforma di batterie da 20 V VONROC VPOWER. L'uso di batterie diverse potrebbe causare gravi lesioni personali o danni all'apparecchio. Batteria agli ioni di litio da 20 V, 2 Ah, CD801AA
Batteria agli ioni di litio da 20 V, 4 Ah, CD803AA

Il caricabatterie seguente può essere usato per caricare queste batterie.

Caricabatterie rapido CD802AA

Le batterie della piattaforma di batterie da 20 V VONROC VPOWER sono intercambiabili con tutti gli apparecchi a batterie della piattaforma da 20 V VONROC VPOWER.

DESCRIZIONE

I numeri che compaiono nel testo si riferiscono alle figure riportate alle pagine 2-3.

1. Interruttore di accensione/spengimento
2. Manico di trasporto

3. Coperchio batteria
4. Batteria
5. Pulsante di sblocco batteria
6. Morsetto di bloccaggio
7. Sezione superiore
8. Contenitore
9. Attacco di soffiaggio
10. Attacco del vuoto
11. Attacco di aspirazione
12. Tubo flessibile
13. Filtro di spugna
14. Filtro HEPA
15. Portafiltro
16. Galleggiante
17. Sacchetto raccogli-polvere
18. Bocchetta triangolare
19. Bocchetta a lancia
20. Accessorio aspirapolvere per auto
21. Adattatore per l'uso con elettrodomestici
22. Pulsante per spie a LED della batteria
23. Spie a LED della batteria
24. Caricabatterie
25. Indicatori a LED del caricabatterie

- La batteria presenta 3 spie che indicano il livello di carica: più spie sono accese più la batteria è carica.
- Se le spie non sono illuminate significa che la batteria è completamente scarica e deve essere ricaricata immediatamente.

Ricarica della batteria con il caricabatterie (Fig. C)

1. Rimuovere la batteria (4) dall'apparecchio.
2. Capovolgere la batteria (4) e inserirla nel caricabatterie (24), come illustrato nella Fig. C.
3. Spingere la batteria finché si incastra nell'apposito alloggiamento.
4. Collegare la spina del caricabatterie a una presa di corrente e attendere un momento. Le spie a LED sul caricabatterie (25) si illuminano e mostrano lo stato di carica della batteria.

Sul caricabatterie sono presenti 2 spie a LED (25) che mostrano lo stato del processo di ricarica:

Stato LED rosso	Stato LED verde	Stato caricabatterie
Spento	Spento	Corrente assente
Spento	Acceso stabile	Modalità standby: - Nessuna batteria inserita oppure - Batteria inserita, ma ricarica terminata
Acceso stabile	Spento	In carica

3. ASSEMBLAGGIO



Prima di compiere qualsiasi intervento sull'apparecchio, rimuovere la batteria.



Prima del primo utilizzo la batteria deve essere caricata.

Installazione della batteria nell'apparecchio (Fig. B1, B2)



Assicurarsi che la batteria sia pulita esternamente prima di collegarla al caricabatterie o all'apparecchio.

1. Inserire la batteria (4) nella base dell'apparecchio, come illustrato nella Fig B1 e B2.
2. Spingere in avanti la batteria finché scatta in posizione con un clic.

Rimozione della batteria dall'apparecchio (Fig. B1, B2)

1. Premere il pulsante di sblocco batteria (5).
2. Estrarre la batteria dall'apparecchio, come illustrato nelle figure B1 e B2.

Verifica dello stato di carica della batteria (Fig. C)

- Per verificare lo stato di carica della batteria, premere brevemente il pulsante (22) sulla batteria.

- Per ricaricare completamente la batteria da 2 Ah possono essere necessari fino a 60 minuti.
- Per ricaricare completamente la batteria da 4 Ah possono essere necessari fino a 120 minuti.

Una volta ricaricata la batteria, rimuovere la spina del caricabatterie dalla presa di corrente e rimuovere la batteria dal caricabatterie.



Se si prevede che l'apparecchio non sarà usato per un periodo prolungato si consiglia di riporlo con la batteria carica.

Assemblaggio del filtro (Fig. E - G)

1. Rimuovere la sezione superiore (7) del contenitore (8) come illustrato nella Fig. E.

2. Assemblare il filtro. Accertarsi di montare il filtro corretto a seconda dell'applicazione:
 - Per l'aspirazione di solidi fare scivolare con cautela il filtro HEPA (14) sopra il portafiltro (15), facendo in modo che quest'ultimo sia coperto interamente dal filtro, come illustrato nella Fig. F1.
 - Per l'aspirazione di liquidi fare scivolare con cautela il filtro di spugna (13) sopra il portafiltro (15), facendo in modo che quest'ultimo sia coperto interamente dal filtro, come illustrato nella Fig. F2.
3. Posizionare la sezione superiore (7) sul contenitore (8), come illustrato nella Fig. E.

Collegamento del tubo flessibile (Fig. D1, D2).

- Per aspirare (Fig. D1), collegare il tubo flessibile (12) all'attacco del vuoto (10).
- Per soffiare (Fig. D2), collegare il tubo flessibile (12) all'attacco di soffiaggio (9).

Collegamento dell'accessorio desiderato.

Bocchetta triangolare (18)

La bocchetta triangolare è progettata per l'aspirazione in ambiente domestico di polvere e materiale secco o liquidi, ad esempio per i pavimenti della propria abitazione, del laboratorio o studio di casa oppure del garage.

Bocchetta a lancia (19)

La bocchetta a lancia è progettata per l'aspirazione in ambiente domestico di solidi o liquidi, negli angoli e in altri punti difficilmente accessibili.

Accessorio aspirapolvere per auto (20)

La spazzola è progettata per l'aspirazione di solidi in piccoli spazi, come ad esempio i sedili dell'auto.

Adattatore per l'uso con elettroutensili (21)

Adattatore per collegare il tubo flessibile di aspirazione a un elettroutensile.

4. FUNZIONAMENTO



Se l'aspiratore dovesse ribaltarsi accidentalmente, il meccanismo del galleggiante di spegnimento (16) potrebbe coprire l'attacco del vuoto del corpo motore ed arrestare l'aspirazione. In tale circostanza è sufficiente posizionare l'aspiratore in verticale, spegnerlo e attendere che il galleggiante (16) ritorni nella propria posizione normale.



Non aspirare senza filtro!

Accensione/Spegnimento dell'apparecchio

- Premere l'interruttore di accensione/spegnimento (1) nella posizione "ON/I" per accendere l'aspiratore.
- Premere l'interruttore di accensione/spegnimento (1) nella posizione "OFF/O" per spegnere l'aspiratore.

Aspirazione di solidi (Fig. D1, G)



Pulire regolarmente il filtro HEPA (14) per preservare la potenza di aspirazione.



Per evitare che il filtro HEPA (14) si ostruisca, si raccomanda di utilizzare anche un sacchetto raccogli-polvere (17).



Se il sacchetto raccogli-polvere (17) si ostruisce potrebbe esplodere; pertanto, assicurarsi di sostituirlo tempestivamente!.

1. Spegner l'apparecchio premendo l'interruttore di accensione/spegnimento (1) ed estrarre la batteria.
2. Sganciare il morsetto di bloccaggio (6) e rimuovere la sezione superiore (7).
3. Prima di passare l'aspiratore, rimuovere tutto lo sporco e i detriti dal contenitore (8).
4. Far scivolare con cautela il filtro HEPA (14) sopra il portafiltro (15), facendo in modo che quest'ultimo sia coperto interamente dal filtro, come illustrato nella Fig. F1.
5. Per aspirare con il sacchetto raccogli-polvere (17) montato:
 - Afferrare saldamente il collare in cartone e far scivolare l'elemento protettivo in gomma il più possibile sull'attacco di presa aspirazione (11), come illustrato nella Fig. G.
 - Quando tutto è in posizione, distendere il sacchetto raccogli-polvere (17) e posizionarlo attorno alle pareti interne del contenitore (8).
6. Rimontare la sezione superiore (7) e serrare il morsetto di bloccaggio (6).
7. Inserire un'estremità del tubo flessibile (12) nell'attacco di aspirazione (10). Srotolare completamente il tubo flessibile di aspirazione (12).

Per aspirare:

8. Installare la batteria.
9. Premere l'interruttore di accensione/spengimento (1) nella posizione "ON/I" per accendere l'aspiratore.
10. L'apparecchio ora è pronto per essere utilizzato per l'aspirazione di solidi.
11. Premere l'interruttore di accensione/spengimento (1) nella posizione "OFF/O" per spegnere l'aspiratore.

Uso con elettrodomestici:

8. Accomodare l'adattatore per l'uso con elettrodomestici (21) alla presa per aspirazione delle polveri dell'elettrodomestico. Se necessario, utilizzare un coltello.
9. Collegare l'adattatore per l'uso con elettrodomestici (21) al tubo flessibile (12) e collegare quest'ultimo alla presa per aspirazione delle polveri dell'elettrodomestico.
11. Installare la batteria.
12. Premere l'interruttore di accensione/spengimento (1) nella posizione "ON/I" per accendere l'aspiratore.
13. L'apparecchio ora è pronto per essere utilizzato per l'aspirazione di solidi.
14. Premere l'interruttore di accensione/spengimento (1) nella posizione "OFF/O" per spegnere l'aspiratore.

Aspirazione di liquidi (Fig. F2)

L'aspirapolvere è dotato di un galleggiante (16). La potenza di aspirazione diminuisce quando viene raggiunto il livello di riempimento massimo. Spegnere immediatamente l'aspiratore premendo l'interruttore di accensione/spengimento (1). Svuotare il contenitore (8).



Pulire il galleggiante (16) a intervalli regolari e controllare che non sia danneggiato. In caso contrario, potrebbe non funzionare.



Non toccare mai l'acqua che deve essere aspirata. Pericolo di scosse elettriche.



Spegnere immediatamente l'apparecchio premendo l'interruttore di accensione/spengimento (1) se si crea della schiuma o fuoriesce del liquido!



Non usare il sacchetto raccogli-polvere(17)!

1. Premere l'interruttore di accensione/spengimento (1) nella posizione di spegnimento "OFF/O" ed estrarre la batteria.
2. Sganciare il morsetto di bloccaggio (6) e rimuovere la sezione superiore (7).
3. Prima di aspirare dei liquidi, togliere il sacchetto raccogli-polvere (17) e il filtro HEPA (14) e rimuovere tutto lo sporco e i detriti dal contenitore (8).
4. Far scivolare con cautela il filtro di spugna (13), sul portafiltro (15), facendo in modo che quest'ultimo sia coperto interamente dal filtro, come illustrato nella Fig. F2.
5. Rimontare la sezione superiore (7) e serrare il morsetto di bloccaggio (6).
6. Inserire un'estremità del tubo flessibile (12) nell'attacco di aspirazione (10). Srotolare completamente il tubo flessibile di aspirazione (12).
7. Installare la batteria.
8. Premere l'interruttore di accensione/spengimento (1) nella posizione "ON/I" per accendere l'aspiratore.
9. L'apparecchio ora è pronto per essere utilizzato per l'aspirazione di liquidi.
10. Premere l'interruttore di accensione/spengimento (1) nella posizione "OFF/O" per spegnere l'aspiratore.
11. Sollevare il tubo flessibile (12) in modo che i liquidi vadano a finire nel contenitore (8).
12. Svuotare il contenitore (8) immediatamente dopo l'aspirazione, poiché esso non è destinato alla conservazione di liquidi.

Funzione di soffiaggio (Fig. D2)

Si consiglia di non usare un filtro durante il funzionamento in modalità di soffiaggio.



Rimuovere tutto lo sporco e i detriti dal contenitore (8) prima di usare la funzione di soffiaggio.

L'aspiratore è dotato di una funzione di soffiaggio. Esso può essere usato per soffiare polvere e detriti fuori da garage oppure via da cortili e vialetti. Per un flusso d'aria più intenso si consiglia l'uso della bocchetta a lancia (19).

1. Premere l'interruttore di accensione/spengimento (1) nella posizione di spegnimento "OFF/O" ed estrarre la batteria.

2. Sganciare il morsetto di bloccaggio (6) e rimuovere la sezione superiore (7).
3. Prima del soffiaggio, rimuovere il sacchetto raccogli-polvere (17), il filtro (13, 14) e rimuovere tutto lo sporco e i detriti dal contenitore (8).
4. Rimontare la sezione superiore (7) e serrare il morsetto di bloccaggio (6).
5. Inserire un'estremità del tubo flessibile (12) nell'attacco di soffiaggio (9) sul lato posteriore dell'apparecchio. Srotolare completamente il tubo flessibile di aspirazione (12).
6. Installare la batteria (4).
7. Premere l'interruttore di accensione/spengimento (1) nella posizione "ON/I" per accendere l'aspiratore.
8. L'apparecchio ora è pronto per il soffiaggio di polvere e detriti.
9. Premere l'interruttore di accensione/spengimento (1) nella posizione "OFF/O" per spegnere l'aspiratore.

Operazione finale

1. Premere l'interruttore di accensione/spengimento (1) nella posizione "OFF/O" per spegnere l'aspiratore. Rimuovere la batteria.
2. Rimuovere la sezione superiore (7) e svuotare il contenitore (8).
3. Pulire l'apparecchio con un panno morbido e riporlo in un ambiente asciutto.

5. MANUTENZIONE



Prima di eseguire qualsiasi operazione di pulizia e intervento di manutenzione spegnere sempre l'apparecchio ed estrarre la batteria.

Pulire regolarmente la parte esterna del corpo macchina con un panno morbido, preferibilmente dopo ogni uso. Assicurarsi che le prese d'aria siano libere da polvere e sporcizia. Rimuovere lo sporco particolarmente ostinato con un panno morbido inumidito con acqua e sapone. Non utilizzare solventi come benzina, alcol, ammoniaca, ecc. Le sostanze chimiche di questo tipo danneggiano i componenti sintetici.

Contenitore

Svuotare il contenitore (8) immediatamente dopo l'aspirazione, poiché esso non è destinato alla conservazione di liquidi.

1. Rimuovere la sezione superiore (6) e svuotare il contenitore (8).
2. Pulire l'apparecchio con un panno morbido.

Filtri



Per ottenere prestazioni ottimali, si consiglia di sostituire regolarmente i filtri (13, 14) in base al livello di utilizzo.

Filtro HEPA

1. Rimuovere con cautela il filtro HEPA (14).
2. Pulire la superficie del filtro con uno spazzolino.
3. Lavare il filtro delicatamente con acqua a 40 °C.
4. Consentire l'essiccazione all'aria del filtro prima di installarlo e usarlo nuovamente.
5. Reinstallare il filtro.

Filtro di spugna

1. Rimuovere con cautela il filtro di spugna (13).
2. Lavare il filtro delicatamente con acqua a 40 °C.
3. Consentire l'essiccazione all'aria del filtro prima di installarlo e usarlo nuovamente.
4. Reinstallare il filtro.

Galleggiante e portafiltro

Pulire il galleggiante (16) e il portafiltro (15) a intervalli regolari e controllare se siano danneggiati. In caso contrario, potrebbero non funzionare.

RISPETTO AMBIENTALE



Le apparecchiature elettriche o elettroniche difettose e/o scartate devono essere conferite presso gli opportuni centri di riciclaggio.

Solo per i Paesi CE

Non smaltire gli elettrodomestici insieme ai rifiuti domestici. Secondo la Direttiva europea 2012/19/EU sui rifiuti delle apparecchiature elettriche ed elettroniche e relativa implementazione nelle normative locali, gli elettrodomestici ormai inutilizzabili devono essere raccolti separatamente e smaltiti nel rispetto dell'ambiente.

GARANZIA

I prodotti VONROC sono sviluppati secondo gli standard di qualità più elevati e sono garantiti esenti da difetti sia per quanto riguarda i materiali che la lavorazione per il periodo stabilito per legge a decorrere dalla data di acquisto iniziale. Se durante

questo periodo il prodotto dovesse presentare dei difetti di materiali e/o di lavorazione, contattare direttamente VONROC.

Le seguenti circostanze sono escluse dalla garanzia:

- esecuzione o tentativo di esecuzione di riparazioni o modifiche all'apparecchio da parte di personale di centri di assistenza non autorizzati;
- usura normale;
- maltrattamento, uso in maniera impropria o manutenzione inadeguata dell'apparecchio;
- impiego di ricambi non originali.

La presente costituisce l'unica garanzia espressa o implicita fornita dall'azienda. Non sono concesse altre garanzie, né espresse né implicite, oltre a quelle descritte in questo documento, comprese le garanzie implicite di commerciabilità e idoneità per uno scopo particolare. In nessun caso VONROC sarà ritenuta responsabile di alcun danno incidentale o consequenziale. I rimedi offerti dai rivenditori si limiteranno alla riparazione o alla sostituzione delle unità o dei componenti non conformi.

Il prodotto e il manuale d'uso sono soggetti a modifiche. I dati tecnici possono essere modificati senza ulteriore notifica.

1. SÄKERHETSANVISNINGAR

Läs de medföljande säkerhetsvarningarna, de kompletterande säkerhetsvarningarna och anvisningarna. Underlåtenhet att följa säkerhetsvarningarna och anvisningarna kan orsaka elstöt, brand och/eller allvarlig skada. Spara säkerhetsvarningarna och anvisningarna som framtida referensmaterial.

Följande symboler används i användarhandboken eller på produkten:



Läs användarhandboken.



Endast för inomhusbruk



Länk till tidsfördröjd miniatyrsäkring.



Kasta inte batteriet i elden.



Kasta inte batteriet i vatten.



Kassera inte produkten i olämpliga containrar.



Separat återvinning av litiumjonbatteriet.



Klass II-maskin - dubbel isolering - du behöver ingen jordad kontakt.



Produkten uppfyller gällande säkerhetsnormer i EU-direktiven.

SÄKERHETSANVISNINGAR

DENNA APPARAT KAN ANVÄNDAS AV BARN FRÅN 8 ÅR OCH PERSONER MED NEDSATT FYSISK ELLER PSYKISK FÖRMÅGA ELLER BRISTANDE ERFARENHET ELLER KUNSKAP, OM DE ÖVERVAKAS ELLER FÅR INSTRUKTIONER OM HUR APPARATEN ANVÄNDS PÅ ETT SÄKERT SÄTT OCH ÄR MEDVETNA OM RISKERNA. BARN FÅR INTE LEKA MED APPARATEN. RENGÖRING OCH ANVÄNDARUNDERHÅLL SKA INTE UTFÖRAS AV BARN UTAN ÖVERVAKNING.

- **Dammsug inte material som är skadligt för hälsan, t.ex. damm från bok eller ek, murverksdamm, asbest.** Dessa material anses vara cancerframkallande. **Informera dig själv om gällande regler/lagar i ditt land angående hantering av material som är farligt för hälsan.**

- **Använd endast dammsugaren när du förstår och kan utföra alla funktioner utan begränsning, eller har fått lämpliga instruktioner.** En grundlig introduktion minskar driftfel och skador.
- **Använd aldrig våt-/torrdammsugaren utan filter. Se alltid till att filtren sitter ordentligt på plats.**
- **Dammsugaren får endast användas och förvaras inomhus.** Regn eller fukt som tränger in i dammsugarens lock ökar risken för elstöt.
- Dammsug inte hett eller brinnande damm eller i rum med explosionsrisk. Damm kan antändas eller explodera.
- Ta loss batteripaketet från dammsugaren före underhåll eller rengöring, justeringar, byte av tillbehör eller när dammsugaren ställs undan. På så vis kan inte dammsugaren starta oavsiktligt.
- Sörj för god ventilation på arbetsplatsen.
- Låt dammsugaren endast repareras av behöriga specialister och endast med originaldelar. Detta säkerställer att dammsugarens säkerhet upprätthålls.
- Rengör inte dammsugaren med en vattenstråle riktad direkt mot den. Vatten som tränger in i dammsugarens lock ökar risken för elstöt.
- Förvara dammsugare på ett säkert sätt när den inte används.
- Förvaringsplatsen ska vara torr och kunna låsas. På så vis skadas inte dammsugaren under förvaring och den kan inte användas av oerfarna personer.
- Enheten är inte avsedd för kommersiellt eller industriellt bruk.
 - Använd inte för att dammsuga upp fuktiga ämnen eller vätskor.
 - Använd inte för att dammsuga upp aska eller sot.
 - Använd inte för att dammsuga upp byggstensavfall.

SÄKERHETSVARNINGAR FÖR BATTERI

- a) **Öppna inte batteriet.** Risk för kortslutning.
- b) **Skydda batteriet mot hetta, t.ex. mot kontinuerlig intensiv solstrålning, brand, vatten och fukt.** Risk för explosion.
- c) **Vid skada och felaktig användning av batteriet kan ångor läcka ut. Ventilera området och sök medicinsk hjälp vid besvär.** Ångorna kan irritera andningssystemet.
- d) **Använd endast batteriet i kombination med din Vonroc-produkt.** Denna åtgärd ensamt skyddar batteriet mot farlig överbelastning.

- e) **Batteriet kan skadas av vassa föremål såsom spikar eller skruvmejslar eller externa krafter.** En intern kortslutning kan uppstå och batteriet kan brinna, avge rök, explodera eller överhettas.

SÄKERHETSVARNINGAR FÖR LADDARE

Avsedd användning

Ladda endast uppladdningsbara batterier av typen CD801AA och CD803AA med laddaren. Andra typer av batterier kan explodera och orsaka personskada och skada.

- a) **Apparaten får inte användas av personer (inklusive barn) med nedsatt fysisk eller mental förmåga eller brist på erfarenhet och kunskap, såvida de inte övervakas eller instrueras.**
- b) **Barn ska övervakas så att de inte leker med apparaten.**
- c) **Ladda inte batterier som inte är uppladdningsbara!**
- d) **Batterierna måste placeras i ett väl ventilerat område under laddning!**

2. MASKININFORMATION

Avsedd användning

Dammsugaren lämpar sig för våt- och torrdammsugning med hjälp av det medföljande filtret. Den kan också användas som handhållen dammsugare för elverktyg. Dammsugaren är inte avsedd för dammsugning av brandfarligt, explosivt eller farligt damm. Enheten är inte avsedd för kommersiellt eller industriellt bruk.

TEKNISKA SPECIFIKATIONER



Denna handbok har tagits fram för olika uppsättningar / artikelnummer. Kontrollera motsvarande artikelnummer i specifikationstabellen nedan för korrekt sammanställning och innehåll i din uppsättning.

Modell-nr	Batterier ingår	Laddare ingår
VC508DC	-	-
S_VC508DC	CD801AA	CD802AA
S2_VC508DC	2 x CD801AA	CD802AA
S3_VC508DC	CD803AA	CD802AA

Maskininformation	
Spänning i batteri	20 V
Sugkraft	≥10kPA
IP-klass	IPX4
Buller	75 dB(A)
Arbetstid (2,0Ah / 4,0Ah)	15 min / 30 min
Behållarkapacitet ca.	15L
Användbar volym ca.	10L
Filter – torr	HEPA-filter
Filter – våt	Skumfilter
Slanglängd	1,68 m
Slangdiameter	Ø 40 mm
Vikt ca. (utan batteri och tillbehör)	3,5 kg
Rekommenderad dammuppsamlingspåse	VC814AA
Rekommenderat HEPA-filter	VC813AA

Tillval	
Tillbehörssats för golv (slang, golvmunstycke och hjul)	VC812AA

Modell-nr	CD801AA
Batterityp	Litiumjonteknik
Spänning	20 V
Kapacitet	2,0 Ah
Rekommenderad laddare	CD802AA
Vikt	0,3 kg

Modell-nr	CD802AA
Laddare in	220-240V, 50Hz 0,4A
Laddare ut	21V 2,5A
Laddningstid 2 Ah batteri	60 minuter
Laddningstid 4 Ah batteri	120 minuter
Rekommenderade batterier	CD801AA, CD803AA
Vikt	0,36 kg

Modell-nr	CD803AA
Batterityp	Litiumjonteknik
Spänning	20 V
Kapacitet	4,0 Ah
Rekommenderad laddare	CD802AA
Vikt	0,65 kg

Använd endast följande batterier från VONROC VPOWER 20V batteriplattform. Användning av andra batterier kan orsaka allvarliga skador eller skador på verktyget.

CD801AA 20V, 2Ah litiumjon
 CD803AA 20V, 4Ah litiumjon

Följande laddare kan användas för att ladda dessa batterier.

CD802AA snabbaddare

Batterierna från VONROC VPOWER 20V batteriplattform är utbytbara mellan alla VONROC VPOWER 20V batteriplattformens verktyg.

BESKRIVNING

Siffrorna i texten hänvisar till diagrammen på sidorna 2-3.

1. Srömbrytare
2. Bärhandtag
3. Kåpa för batteri
4. Batteri
5. Upplåsningssknapp för batteriet
6. Låsklämma
7. Övre del
8. Behållare
9. Blåsuttag
10. Utsugsuttag
11. Inloppsport
12. Slang
13. Skumfilter
14. HEPA-filter
15. Filterbur
16. Flottör
17. Dammuppsamlingspåse
18. Triangulärt munstycke
19. Fogmunstycke
20. Bildammugningsverktyg
21. Elverktygsadapter
22. Knapp för batteri-LED-indikatorer
23. Batteri-LED-indikatorer
24. Laddare
25. LED-laddningsindikering

3. MONTERING



Ta bort batteriet innan du utför något arbete på elverktyget.



Batteriet måste laddas innan det används för första gången.

Insättning av batteriet i maskinen (fig. B1, B2)



Se till att batteriets utsida är ren och torr innan du ansluter det till laddaren eller maskinen.

1. Sätt in batteriet (4) i maskinens bas enligt fig. B1, B2.
2. Skjut batteriet framåt tills det klickar på plats.

Borttagning av batteriet från maskinen (fig. B1, B2)

1. Tryck på batterilåsningssknappen (5).
2. Dra ut batteriet ur maskinen enligt fig. B1, B2.

Kontroll av batteriets laddningsstatus (fig. C)

- Tryck kort på knappen (22) på batteriet för att kontrollera batteriets laddningsstatus.
- Batteriet har 3 lampor som indikerar laddningsnivån. Ju fler lampor som lyser, desto mer är batteriet laddat.
- När lamporna inte lyser betyder det att batteriet är tomt och måste laddas omedelbart.

Laddning av batteriet med laddaren (fig. C)

1. Ta ut batteriet (4) från maskinen.
2. Vänd batteriet (4) upp och ner och tryck in det i laddaren (24) enligt fig. C.
3. Tryck in batteriet tills det kommer in i luckan helt.
4. Koppla in laddarens kontakt i ett eluttag och vänta en stund. Laddarens LED-indikering (25) kommer att lysa och visa laddningsstatusen.

Laddaren har två laddningsindikeringslampa (25) som indikerar laddningsprocessens status:

Röd LED-status	Grön LED-status	Laddningsstatus
Av	Av	Ingen ström
Av	På	Standbyläge: - Inget batteri insatt eller - Batteriet är isatt men laddningen är klar
På	Av	Batteriladdning pågår

- Det kan ta upp till 60 minuter att fulladda 2 Ah-batteriet.
- Det kan ta upp till 120 minuter att fulladda 4 Ah-batteriet.

Ta ut laddningskontakten från uttaget och ta ut batteriet från laddaren när batteriet har fulladdats.



När maskinen inte används under längre tid är det bäst att lagra batteriet i laddat tillstånd.

Montering av filtret (fig. E - G)

1. Avlägsna den övre delen (7) av behållaren (8) enligt fig. E.
2. Montera filtret. Se till att montera rätt filter, beroende på användning:
 - För torrdammsugning, skjut försiktigt HEPA-filtret (14) över filterburen (15) och se till att hela buren (15) är täckt enligt fig. F1.
 - För våtdammsugning, skjut försiktigt skumfiltret (13) över filterburen (15) och se till att hela buren (15) är täckt enligt fig. F2.
3. Placera den övre delen (7) på behållaren (8) enligt fig. E.

Ansluta slangen (fig. D1, D2).

- För dammsugning, (fig. D1), anslut sugslangen (12) till utsugsuttaget (10).
- För blåsning, (fig. D2), anslut sugslangen (12) till blåsuttaget (9).

Anslut önskat munstycke.

Triangulärt munstycke (18)

Det triangulära munstycket är avsett för våt- och torrdammsugning i t.ex. huset, arbetsrummet eller garaget.

Fogmunstycke (19)

Fogmunstycket är konstruerat för våt- och torrsugning i hemmet, hörn och andra områden som är svåra att komma åt.

Bildammsugningsverktyg (20)

Borsten är utformad för att dammsuga fasta ämnen från små ytor. Till exempel bilsäten.

Elverktygsadapter (21)

Adapter för anslutning av sugslang med elverktyg.

4. ANVÄNDNING



Om dammsugaren råkar välta kan avstängningsflöttörmekanismen (16) täcka motorns dammsugaruttag och stoppa sugningen. Om detta händer, ställ bara dammsugaren upprätt och stäng av den tills flottören (16) återgår till sitt normala läge.



Dammsug inte utan filter!

Igångsättning och avstängning av maskinen

- Tryck strömbrytaren (1) till läge "ON/I" för att starta dammsugaren.
- Tryck strömbrytaren (1) till läge AV/O för att stänga av dammsugaren.

Torrddammsugning (fig. D1, G)



Rengör HEPA-filtret (14) regelbundet för att bibehålla sugkraften.



För att undvika att HEPA-filtret (14) blir igensatt rekommenderar vi att du använder en dammuppsamlingspåse (17).



En igensatt dammuppsamlingspåse (17) kan spricka.
- se därför till att byta ut dammuppsamlingspåsen i tid!

- Stäng av (1) maskinen och ta ut batteriet.
- Lås upp låsklämmorna (6) och ta bort den övre delen (7).
- Avlägsna all smuts och skräp från behållaren (8) innan du dammsuger.
- Skjut försiktigt HEPA-filtret (14) över filterburen (15) och se till att hela buren är täckt enligt fig. F1.
- För dammsugning med dammuppsamlingspåse (17):
 - Håll pappkragen tätt och skjut gummiskyddselementet så långt som möjligt på inloppsöppningen (11) enligt fig. G.
 - När allt är på plats, vik ut påsen (17) och placera den runt behållarens (8) innerväggar.
- Sätt tillbaka den övre delen (7) igen och lås låsklämman (6).
- För in ena änden av slangen (12) i utsugsuttaget (10). Linda ut sugslangen helt (12).

För dammsugning:

- Sätt i batteriet.
- Tryck strömbrytaren (1) till läge "ON/I" för att starta dammsugaren.
- Maskinen är nu redo att användas för torr-dammsugning.
- Tryck strömbrytaren (1) till läge "OFF/O" för att stänga av dammsugaren.

För arbete med elverktyg:

- Anpassa verktygsadaptern (21) till elverktygets dammsug. Använd en kniv om det behövs.
- Anslut elverktygsadaptern (21) till slangen (12) och anslut den till elverktygets dammsug.
- Sätt i batteriet.
- Tryck strömbrytaren (1) i läget "ON/I" för att starta dammsugaren.
- Maskinen är nu redo att användas för torr-dammsugning.
- Tryck strömbrytaren (1) i läget "OFF/O" för att stänga av dammsugaren.

Vätdammsugning (fig. F2)



Dammsugaren är utrustad med en flottör (16). Sugkraften minskar när den maximala fyllnadsnivån uppnås. Stäng av dammsugaren (1) omedelbart. Töm behållaren (8).



Rengör flottören (16) regelbundet och kontrollera den för skador. I annat fall kan dess funktioner försämrats.



Sträck dig aldrig in i vattnet som ska sugas upp. Risk för elektriska stötar.



Stäng genast av (1) maskinen om det bildas skum eller vätskor tränger ut!



Använd inte en dammuppsamlingspåse (17)!

- Tryck strömbrytaren (1) till läge "OFF/O" och ta bort batteriet.
- Lås upp låsklämmorna (6) och ta bort den övre delen (7).
- Ta bort dammuppsamlingspåsen (17), HEPA-filtret (14) och ta bort all smuts och skräp från behållaren (8) innan du vätdammsuger.
- Skjut försiktigt skumfiltret (13) över filterburen (15) och se till att hela buren är täckt enligt fig. F2.

- Sätt tillbaka den övre delen (7) igen och lås låsklämman (6).
- För in ena änden av slangen (12) i utsugsuttaget (10). Linda ut sugslangen helt (12).
- Sätt i batteriet.
- Tryck strömbrytaren (1) i läget "ON/I" för att starta dammsugaren.
- Maskinen är nu redo för våtdammsugning.
- Tryck strömbrytaren (1) i läget "OFF/O" för att stänga av dammsugaren.
- Lyft upp slangen (12) så att vätskorna rinner ut i behållaren (8).
- Töm behållaren (8) direkt efter sugrengöring eftersom den inte är avsedd att lagra vätska.

Blåsfunktion (fig. D2)



Användning utan filter rekommenderas.



Ta bort all smuts och skräp från behållaren (8) innan du använder blåsfunktionen.

Din dammsugare är utrustad med en blåsfunktion. Den kan användas för att blåsa bort damm och skräp i garage eller på uteplatser och uppfarter. Vi rekommenderar att du använder fogmunstycket (19) för att få ett starkare luftflöde.

- Tryck strömbrytaren (1) till läge "OFF/O" och ta bort batteriet.
- Lås upp låsklämmorna (6) och ta bort den övre delen (7).
- Ta bort dammuppsamlingspåsen (17), filtret (13, 14) och avlägsna all smuts och skräp från behållaren (8) innan du blåser.
- Sätt tillbaka den övre delen (7) igen och lås låsklämman (6).
- För in ena änden av slangen (12) i utsugsuttaget (9) på maskinens ovandel. Linda ut sugslangen helt (12).
- Sätt i batteriet (4).
- Tryck strömbrytaren (1) i läget "ON/I" för att starta dammsugaren.
- Maskinen är nu redo att blåsa damm och skräp.
- Tryck strömbrytaren (1) i läget "OFF/O" för att stänga av dammsugaren.

Avsluta operationen

- Tryck strömbrytaren (1) i läget "OFF/O" för att stänga av dammsugaren. Avlägsna batteri.
- Ta bort den övre delen (7) och töm behållaren (8).
- Rengör maskinen med en mjuk trasa och förvara den i ett torrt rum.

5. UNDERHÅLL



Stäng alltid av maskinen och ta ut batteriet från maskinen innan rengöring och underhåll.

Rengör maskinens hus regelbundet med en mjuk trasa, helst efter varje gång du använder maskinen. Se till att ventilationsöppningarna är fria från damm och smuts. Ta bort mycket ihållande smuts med en mjuk trasa fuktad med tvållösning. Använd inte lösningsmedel som bensen, alkohol, ammoniak osv. Sådana kemikalier skadar de syntetiska komponenterna.

Behållare

Töm behållaren (8) direkt efter sugrengöring eftersom den inte är avsedd att lagra vätska.

- Ta bort den övre delen (6) och töm behållaren (8).
- Rengör maskinen med en mjuk trasa.

Filter



För optimal prestanda rekommenderas att byta filter regelbundet (13, 14) beroende på användning.

HEPA-filter:

- Ta försiktigt bort HEPA-filtret (14).
- Rengör filtrets yta med en borste.
- Tvätta filtren försiktigt med vatten under 40 grader.
- Låt filtret lufttorka innan du installerar och använder det igen.
- Sätt tillbaka filtret.

Skumfilter:

- Ta försiktigt bort skumfiltret (13).
- Tvätta filtren försiktigt med vatten under 40 grader.
- Låt filtret lufttorka innan du installerar och använder det igen.
- Sätt tillbaka filtret.

Flottör och filterbur

Rengör flottören (16) och filterburen (15) regelbundet med en mjuk trasa och kontrollera för skador. I annat fall kan dess funktion försämrats.

MILJÖ



Felaktigt och/eller kasserad elektrisk eller elektronisk utrustning måste lämnas in på lämpliga återvinningsstationer.

Endast för EU-länder

Kassera inte elverktyg i hushållsavfall. Enligt den europeiska riktlinjen 2012/19/EU om kasserad elektrisk och elektronisk utrustning och dess tillämpning i nationell rätt måste elverktyg som inte längre är användbara samlas in separat och kasseras på ett miljövänligt sätt.

GARANTI

VONROC-produkter är utvecklade enligt högsta kvalitetsstandard och garanteras fria från defekter i både material och utförande under den period som lagen föreskriver från och med inköpsdatumet. Om produkten skulle utveckla fel under denna period på grund av defekt material och/eller utförande, kontakta då VONROC direkt.

Följande omständigheter är undantagna från denna garanti:

- Reparationer och/eller ändringar har gjorts eller försökts utföras på maskinen av obehöriga servicecenter;
- Normalt slitage;
- Verktuget har missbrukats, använts på fel sätt eller underhållits felaktigt;
- Reservdelar som inte är original har använts.

Detta utgör den enda garantin som företaget ger antingen uttryckt eller underförstått. Det finns inga andra garantier uttryckta eller underförstådda som sträcker sig bortom detta, inklusive de underförstådda garantierna för säljbarhet och lämplighet för ett visst syfte. Under inga omständigheter ska VONROC hållas ansvarigt för indirekta skador eller följskador. Återförsäljarnas åtgärder ska begränsas till reparation eller byte av enheter eller delar som inte uppfyller kraven.

Produkten och användarhandboken kan ändras. Specifikationerna kan ändras utan förvarning.

1. TURVALLISUUSOHJEET

Lue tämän ohjekirjan varoitukset, lisäturvallisuusohjeet ja ohjeet. Jos turvallisuusvaroituksia ja ohjeita ei noudateta, seurauksena voi olla sähköisku, tulipalo ja/tai vakava henkilövahinko. Säilytä turvallisuusvaroitukset ja ohjeet tulevaa käyttöä varten.

Ohjekirjassa ja tuotteessa käytetään seuraavia merkkejä:



Lue ohjekirja.



Tarkoitettu vain sisäkäyttöön



Pieni sulakeliitäntä aikaviiveellä.



Akkua ei saa hävittää tuleen.



Akkua ei saa hävittää veteen.



Älä hävitä tuotetta virheellisesti.



Hävitä litiumioniakku erilliskeräykseen.



Luokan II kone - Kaksoiseristys - Maadoitettu pistoke ei ole tarpeen.



Tuote täyttää Euroopan direktiivien soveltuvien turvallisuusstandardien vaatimukset.

TURVALLISUUSTIEDOT

VÄHINTÄÄN 8 VUOTTA TÄYTTÄNEET LAPSET JA FYYSISETI, MOTORISESTI TAI HENKISESTI RAJOITTEISET TAI KOKEMATTOMAT TAI TAITAMATTOMAT HENKILÖT SAAVAT KÄYTTÄÄ TÄTÄ LAITETTA EDELLYTTÄEN, ETTÄ HEITÄ VALVOTAAN JA OPASTETAAN LAITTEEN TURVALLISESSA KÄYTTÖSSÄ JA HE YMMÄRTÄVÄT SEN KÄYTTÖÖN LIITTYVÄT VAARAT. ÄLÄ ANNA LASTEN LEIKKIÄ LAITTEELLA. LAPSET EIVÄT SAA PUHDISTAA TAI HUOLTAA LAITETTA ILMAN VALVONTAA.

- **Älä imuroi terveydelle haitallisia materiaaleja (esim. pyökin tai tammen pöly, muurauspöly, asbesti).** Näitä materiaaleja pidetään syöpää aiheuttavina. **Ota selvää kotimaassasi voimassa olevista säännöksistä/laista, jotka koskevat terveydelle vaarallisten materiaalien käsittelyä.**

- **Käytä pölynimuria vain silloin, kun ymmärrät täysin kaikki toiminnot ja pystyt suorittamaan ne rajoituksetta tai olet saanut asianmukaiset ohjeet.** Perusteellinen esittely vähentää käyttövirheitä ja loukkaantumisia.
- **Älä koskaan käytä märkä-/kuivaimuria ilman suodatinta. Varmista aina, että suodattimet ovat kunnolla paikoillaan.**
- **Pölynimuria tulee säilyttää vain sisätalassa.** Veden tai kosteuden pääsy pölynimurin kanteen lisää sähköiskun vaaraa.
- **Älä imuroi kuumia tai palavia pölyjä tai tiloissa, joissa on räjähdysvaara.** Pölyt voivat syttyä tai räjähtää.
- Poista akku pölynimurista ennen huoltoa tai puhdistusta, säätöjen tekemistä, lisävarusteiden vaihtamista tai pölynimurin asettamista sivuun. Tämä turvatoimenpide estää pölynimurin tahattoman käynnistymisen.
- Huolehdi hyvästä ilmanvaihdosta työpaikalla.
- Anna vain pätevän asiantuntijan korjata pölynimuri ja käytä vain alkuperäisiä varaosia. Täten varmistetaan, että pölynimurisi säilyy turvallisena.
- **Älä puhdista pölynimuria siihen suunnatulla vesisuihkulla.** Veden pääsy pölynimurin kanteen lisää sähköiskun vaaraa.
- Kun pölynimuri ei ole käytössä, säilytä sitä turvallisesti.
- Säilytyspaikan tulee olla kuiva ja lukittavissa. Tämä estää pölynimurin vaurioitumisen säilytyksen aikana ja sen käytön kokemattomien henkilöiden toimesta.
- Laite ei sovellu kaupalliseen tai teolliseen käyttöön.
 - Älä käytä kosteiden aineiden tai nesteiden imurointiin.
 - Älä käytä tuhkan tai noen imurointiin.
 - Älä käytä rakennusjätteen imurointiin.

AKUN TURVALLISUUSVAROITUKSET

- a) **Älä avaa akkua.** Oikosulun vaara.
- b) **Suojaa akku lämmöltä (esim. jatkuvalta aurin-gonvalolta), tulta, vedeltä sekä kosteudelta.** Räjähdysvaara.
- c) **Jos akku vaurioituu tai sitä käytetään virheellisesti, siitä voi päästä höyryä. Tuuleta alue ja ota yhteyttä lääkäriin, mikäli valituksia ilmenee.** Höyryt voivat aiheuttaa ärsytystä hengitysteihin.
- d) **Käytä akkua ainoastaan Vonroc-tuotteen kanssa.** Täten akku suojataan vaaralliselta ylikuormitukselta.

- e) **Terävät kohteet (esim. naulat tai ruuvimeisellit) tai ulkoiset iskuvoimat voivat vahingoittaa akkua.** Seurauksena voi olla oikosulku ja akku voi palaa, räjähtää tai ylikuumentua tai siitä voi päästä savua.

LATURIN TURVALLISUUSVAROITUKSET

Käyttötarkoitus

Lataa laturilla vain CD801AA- ja CD803AA-tyyppisiä ladattavia akkuja. Muut akkutyypit voivat puhjeta ja aiheuttaa henkilö- ja omaisuusvahinkoja.

- a) **Laitetta ei ole tarkoitettu sellaisten henkilöiden (lapset mukaan lukien) käytettäväksi, joilla on fyysisiä, aistillisia tai henkisiä puutteita tai puutteellinen kokemus ja tuntemus, ellei heitä ohjata tai valvota.**
- b) **Lapsia on valvottava, jotta he eivät leikkisi laitteella.**
- c) **Ei-ladattavia akkuja ei saa ladata!**
- d) **Akut tulee asettaa hyvin tuuletetulle alueelle lataamisen aikana!**

2. LAITTEEN TIEDOT

Käyttötarkoitus

Pölynimuri sopii märkä- ja kuivaimurointiin mukana tulevan suodattimen avulla. Sitä voidaan käyttää myös sähkötyökalujen käsivaraisena pölynimurina. Pölynimuria ei ole tarkoitettu syttyvien, räjähdysalttiiden tai vaarallisten pölyjen imurointiin. Laite ei sovellu kaupalliseen tai teolliseen käyttöön.

TEKNISET TIEDOT



Tämä ohjekirja on laadittu eri sarjoille/ tuotenumeroille. Tarkista sarjasi oikea kokoonpano ja sisältö vastaavan tuotenumeron mukaan alla olevista teknisistä tiedoista.

Mallinro	Sisältää akut	Sisältää laturit
VC508DC	-	-
S_VC508DC	CD801AA	CD802AA
S2_VC508DC	2 x CD801AA	CD802AA
S3_VC508DC	CD803AA	CD802AA

Laitteen tiedot	
Akkujännite	20 V
Imuteho	≥ 10 kPA
IP-luokka	IPX4
Melutaso	75 dB(A)
Käyttöaika (2,0 Ah / 4,0 Ah)	15 min / 30 min
Säiliön tilavuus likimäärin	15 litraa
Hyötytilavuus	10 litraa
Suodatin – kuiva	HEPA-suodatin
Suodatin – märkä	Vaahtosuodatin
Letkun pituus	1,68 m
Letkun halkaisija	Ø 40 mm
Paino likimäärin (ilman akkua ja lisävarusteita)	3,5 kg
Suositteltu pölypussi	VC814AA
Suositteltu HEPA-suodatin	VC813AA

Lisävaruste	
Lattiatarvikesarja (putki, lattiasuulake ja pyörät)	VC812AA

Mallinro	CD801AA
Akkutyyppe	Litiumioni
Jännite	20 V
Kapasiteetti	2,0 Ah
Suositteltu laturi	CD802AA
Paino	0,3 kg

Mallinro	CD802AA
Laturin tulo	220-240 V, 50 Hz 0,4 A
Laturin lähtö	21 V 2,5 A
Latausaika 2 Ah akku	60 minuuttia
Latausaika 4 Ah akku	120 minuuttia
Suosittelut akut	CD801AA, CD803AA
Paino	0,36 kg

Mallinro	CD803AA
Akkutyyppe	Litiumioni
Jännite	20 V
Kapasiteetti	4,0 Ah
Suositteltu laturi	CD802AA
Paino	0,65 kg

Käytä ainoastaan seuraavia VONROC VPOWER 20 V -akkualustan akkuja. Muiden akkujen käyttö voi aiheuttaa vakavia henkilövahinkoja tai vaurioittaa laitetta.

CD801AA 20 V, 2 Ah Litiumioni
 CD803AA 20 V, 4 Ah Litiumioni

Nämä akut voidaan ladata seuraavalla laturilla.
 CD802AA Pikalaturi

VONROC VPOWER 20 V -akkualustan akut sopivat kaikkiin VONROC VPOWER 20 V -akkualustan työkaluihin.

KUVAUS

Tekstin numerot viittaavat sivujen 2-3 kaavioihin.

1. Virtakytkin
2. Kuljetuskahva
3. Akkukotelon kansi
4. Akku
5. Akun vapautuspainike
6. Lukituskiinnike
7. Yläosa
8. Säiliö
9. Puhallusportti
10. Imuportti
11. Ilmanottoportti
12. Letku
13. Vaahtosuodatin
14. HEPA-suodatin
15. Suodatinkotelo
16. Uimuri
17. Pölypussi
18. Kolmiosuulake
19. Rakosuulake
20. Auton imurointiväline
21. Sähkötyökalun sovitin
22. Akun LED-merkkivalojen painike
23. Akun LED-merkkivalot
24. Laturi
25. Laturin LED-merkkivalot

3. ASENTAMINEN



Poista akku aina ennen sähkötyökulun käsittelemistä.



Akku tulee ladata ennen ensimmäistä käyttökertaa.

Akun asentaminen laitteeseen (kuvat B1, B2)



Varmista, että akku on ulkoisesti puhtas ja kuiva ennen sen liittämistä laturiin tai laitteeseen.

1. Aseta akku (4) laitteen kantaan kuvien B1, B2 mukaisesti.
2. Paina akkua syvemmälle, kunnes se napsahtaa paikoilleen.

Akun poistaminen laitteesta (kuvat B1, B2)

1. Paina akun vapautuspainiketta (5).
2. Vedä akku pois laitteesta kuvien B1, B2 mukaisesti.

Akun lataustason tarkistaminen (kuva C)

- Tarkista akun lataustila painamalla akun painiketta (22) lyhyesti.
- Akussa on 3 merkkivaloa, jotka osoittavat lataustason. Mitä enemmän merkkivaloja palaa, sitä enemmän akussa on virtaa jäljellä.
- Kun merkkivalot ovat sammuneet, akku on tyhjä ja se tulee ladata välittömästi.

Akun lataaminen laturilla (kuva C)

1. Poista akku (4) laitteesta.
2. Käännä akku (4) ylösalaisin ja liu'uta se laturiin (24) kuvan C mukaisesti.
3. Paina akkua, kunnes se on kokonaan asennusaukossa.
4. Liitä laturin pistoke sähköverkkoon ja odota hetki. Laturin LED-merkkivalot (25) syttyvät ja osoittavat laturin tilan.

Laturissa on kaksi LED-merkkivaloa (25), jotka osoittavat latausprosessin tilan:

Punainen LED-tila	Vihreä LED-tila	Laturin tila
Pois	Pois	Ei virtaa
Pois	Päällä	Valmiustila: - Akkua ei ole asetettu paikoilleen, tai - Akku paikoillaan, mutta sen lataus on päätynyt
Päällä	Pois	Akun lataus käynnissä

- Akun 2 Ah täyteen lataaminen voi kestää jopa 60 minuuttia.
- Akun 4 Ah täyteen lataaminen voi kestää jopa 120 minuuttia.

Kun akku on ladattu täyteen, poista laturin pistoke sähköverkosta ja irrota akku laturista.



Kun laitetta ei käytetä pitkään aikaan, akku kannattaa varastoida ladattuna.

Suodattimen asentaminen (kuvat E - G)

1. Irrota säiliön (8) yläosa (7) kuvan E mukaisesti.
2. Asenna suodatin. Varmista, että asennat oikean suodattimen sovelluksesta riippuen:
 - Kun haluat käyttää imuria kuivaimurointiin, liu'uta HEPA-suodatin (14) varovasti suodattinkotelon (15) päälle varmistaen, että koko kotelo (15) on peittynyt kuvan F1 mukaisesti.
 - Kun haluat käyttää imuria märkäimurointiin, liu'uta vaahtosuodatin (13) varovasti suodattinkotelon (15) päälle varmistaen, että koko kotelo (15) on peittynyt kuvan F2 mukaisesti.
3. Aseta säiliön (8) yläosa (7) kuvan E mukaisesti.

Letkun liittäminen (kuvat D1, D2).

- Liitä imua varten (kuva D1) imuletku (12) imuporttiin (10).
- Liitä puhallusta varten (kuva D2) imuletku (12) puhallusporttiin (9).

Liitä haluamasi suulake.

Kolmiosuulake (18)

Kolmiosuulake on tarkoitettu märkä- ja kuivaimurointiin kotikäytössä esimerkiksi rakennuksessa, työhuoneessa tai autotallissa.

Rakosuulake (19)

Rakosuutin on tarkoitettu märkä- ja kuivaimurointiin kotikäytössä, reunoihin ja muihin vaikeapääsyisiin kohteisiin.

Auton imurointiväline (20)

Harja on tarkoitettu kiinteiden aineiden imurointiin pieniltä alueilta. Esimerkiksi auton istuimista.

Sähkötyökalan sovitin (21)

Sovitin imuletkun liittämiseen sähkötyökaluun.

4. KÄYTTÖ



Jos pölynimuri kaatuu vahingossa, sulkeva uimuri (16) voi peittää moottorin imuaukon ja pysäyttää imun. Aseta tällöin imuri pystyasentoon ja sammuta se, kunnes uimuri (16) palaa normaaliin asentoon.



Älä imuroi ilman suodatinta!

Laitteen päälle ja pois päältä kytkeminen

- Käynnistä pölynimuri painamalla virtakytkin (1) ON/I-asentoon.
- Sammuta pölynimuri painamalla virtakytkin (1) OFF/O-asentoon.

Kuivaimurointi (kuvat D1, G)

Puhdista HEPA-suodatin (14) säännöllisesti imutehon ylläpitämiseksi.



HEPA-suodattimen (14) tukkeutumisen välttämiseksi suosittelemme käyttämään lisäksi pölypussia (17).



*Tukkeutunut pölypussi (17) voi puhjeta.
- Muista vaihtaa pölypussi ajoissa!*

1. Sammuta (1) laite ja irrota akku.
2. Avaa lukituskiinnike (6) ja irrota yläosa (7).
3. Poista kaikki lika ja roskat säiliöstä (8) ennen imurointia.
4. Liu'uta HEPA-suodatin (14) varovasti alas suodatinkotelon (15) yli varmistaen, että koko kotelo on peittynyt kuvan F1 mukaisesti.
5. Imuroiminen pölypussilla (17):
 - Pidä pahvikauluksesta tiukasti kiinni ja työnnä kumisuoja mahdollisimman pitkälle imuaukkoon (11) kuvan G mukaisesti.

- Kun kaikki osat ovat paikoillaan, avaa pussi (17) ulospäin ja aseta se säiliön (8) sisäseinien ympärille.

6. Kiinnitä yläosa (7) uudelleen ja lukitse lukituskiinnike (6).
7. Työnnä letkun (12) toinen pää imuporttiin (10). Rullaa imuletku (12) kokonaan auki.

Imuroiminen:

8. Aseta akku paikoilleen.
9. Käynnistä pölynimuri painamalla virtakytkin (1) ON/I-asentoon.
10. Laite on nyt valmis käytettäväksi kuivaimurointiin.
11. Sammuta pölynimuri painamalla virtakytkin (1) OFF/O-asentoon.

Sähkötyökaluja käyttö:

8. Sovita sähkötyökalan sovitin (21) sähkötyökalan pölynpoistoaukkoon. Käytä tarvittaessa veistä.
9. Liitä sähkötyökalan sovitin (21) letkuun (12) ja liitä se sähkötyökalan pölynpoistoaukkoon.
11. Aseta akku paikoilleen.
12. Käynnistä pölynimuri painamalla virtakytkin (1) ON/I-asentoon.
13. Laite on nyt valmis käytettäväksi kuivaimurointiin.
14. Sammuta pölynimuri painamalla virtakytkin (1) OFF/O-asentoon.

Märkäimurointi (kuva F2)

Pölynimurissa on uimuri (16). Imuteho pienenee, kun enimmäistäyttötaso saavutetaan. Sammuta pölynimuri (1) välittömästi. Tyhjennä säiliö (8).



Puhdista uimuri (16) säännöllisin väliajoin ja tarkista se vaurioiden varalta. Muuten sen toiminta voi heikentyä.



Älä koskaan kurkota veteen sen imemistä varten. Sähköiskun vaara.



Sammuta kone välittömästi (1), jos vaahtoa muodostuu tai nestettä pääsee ulos!



Älä käytä pölypussia (17)!

1. Paina virtakytkin (1) OFF/O-asentoon ja poista akku.
2. Avaa lukituskiinnike (6) ja irrota yläosa (7).

- Poista pölypussi (17), HEPA-suodatin (14) ja poista kaikki lika ja roskat säiliöstä (8) ennen märkäimurointia.
- Liu'uta vaahtosuodatin (13) varovasti alas suodatinkotelon (15) yli varmistuen, että koko kotelo on peittyneet kuvan F2 mukaisesti.
- Kiinnitä yläosa (7) uudelleen ja lukitse lukituskiinnike (6).
- Työnnä letkun (12) toinen pää imuporttiin (10). Rullaa imuletku (12) kokonaan auki.
- Aseta akku paikoilleen.
- Käynnistä pölynimuri painamalla virtakytkin (1) ON/I-asentoon.
- Laite on nyt valmis käytettäväksi märkäimurointiin.
- Sammuta pölynimuri painamalla virtakytkin (1) OFF/O-asentoon.
- Nosta letkua (12) niin, että nesteet valuvat säiliöön (8).
- Tyhjennä säiliö (8) välittömästi imupuhdistuksen jälkeen, koska sitä ei ole tarkoitettu nesteiden säilyttämiseen.

Puhallustoiminto (kuva D2)



Suosittellaan käytettäväksi ilman suodatinta.



Poista kaikki lika ja roskat säiliöstä (8) ennen kuin käytät puhallustoimintoa.

Pölynimurissasi on puhallustoiminto. Sitä voidaan käyttää pölyn ja roskien puhaltamiseen autotalleista tai terassilta ja ajotieltä. Suosittelemme rakosuulakkeen (19) käyttöä ilmapirran tehostamiseksi.

- Paina virtakytkin (1) OFF/O-asentoon ja poista akku.
- Avaa lukituskiinnike (6) ja irrota yläosa (7).
- Poista pölypussi (17), suodatin (13, 14) ja poista kaikki lika ja roskat säiliöstä (8) ennen puhallustoiminnon käyttöä.
- Kiinnitä yläosa (7) uudelleen ja lukitse lukituskiinnike (6).
- Työnnä letkun (12) toinen pää laitteen takana olevaan puhallusporttiin (9). Rullaa imuletku (12) kokonaan auki.
- Aseta akku (4) paikoilleen.
- Käynnistä pölynimuri painamalla virtakytkin (1) ON/I-asentoon.
- Laite on nyt valmis pölyn ja roskien puhaltamiseen.
- Sammuta pölynimuri painamalla virtakytkin (1) OFF/O-asentoon.

Käytön viimeistely

- Sammuta pölynimuri painamalla virtakytkin (1) OFF/O-asentoon. Poista akku.
- Irrota yläosa (7) ja tyhjennä säiliö (8).
- Puhdista laite pehmeällä liinalla ja säilytä kuivassa huoneessa.

5. YLLÄPITO



Sammuta laite ja irrota akku laitteesta aina ennen puhdistusta ja huoltoa.

Puhdista laitteen ulkokuoret säännöllisesti pehmeällä liinalla, mieluiten jokaisen käyttökerran jälkeen. Varmista, että tuuletusaukoissa ei ole pölyä tai likaa. Poista vaikeat tahrat käyttämällä saippua-vaahdon kostutettua pehmeää liinaa. Älä käytä liuottimia, kuten bensiiniä, alkoholia, ammoniakkaa jne. Vastaavat kemikaalit vaurioittavat synteettisiä komponentteja.

Säiliö

Tyhjennä säiliö (8) välittömästi imupuhdistuksen jälkeen, koska sitä ei ole tarkoitettu nesteiden säilyttämiseen.

- Irrota yläosa (6) ja tyhjennä säiliö (8).
- Puhdista laite pehmeällä liinalla.

Suodattimet



Optimaalisen suorituskyvyn saavuttamiseksi suodattimet (13, 14) on suositeltavaa vaihtaa säännöllisesti käyttöastasta riippuen.

HEPA-suodatin:

- Irrota HEPA-suodatin (14) varovasti.
- Puhdista suodattimen pinta harjalla.
- Pese suodattimet varovasti alle 40-asteisella vedellä.
- Anna suodattimen kuivua ilmassa ennen kuin asennat ja käytät sitä uudelleen.
- Asenna suodatin takaisin paikoilleen.

Vaahtosuodatin:

- Irrota vaahtosuodatin (13) varovasti.
- Pese suodattimet varovasti alle 40-asteisella vedellä.
- Anna suodattimen kuivua ilmassa ennen kuin asennat ja käytät sitä uudelleen.
- Asenna suodatin takaisin paikoilleen.

Uimuri ja suodatinkotelo

Puhdista uimuri (16) ja suodatinkotelo (15) säännöllisesti pehmeällä liinalla ja tarkista ne vaurioiden varalta. Muuten sen toiminta voi heikentyä.

YMPÄRISTÖ

Vialliset ja/tai hävitetyt sähkö- ja elektroniiset laitteet tulee viedä asianmukaisiin erilliskeräyksiin.

Vain EU-maat

Älä hävitä sähköyökaluja kotitalousjätteen mukana. Sähkö- ja elektroniikkalaitteita koskevan direktiivin 2012/19/EU ja vastaavien kansallisten lakien mukaisesti sähköyökalut tulee hävittää erilliskeräyksessä ja ympäristöystävällisesti niiden käyttöiän päätyttyä.

TAKUU

VONROC-tuotteet on kehitetty korkeimpien laatusstandardien mukaan ja ne sisältävät materiaali- ja valmistusvian kattavan takuun, joka on voimassa lain mukaan määritetyn ajan alkuperäisestä ostopäivämäärästä lähtien. Mikäli tuotteessa ilmenee materiaali- ja/tai valmistusvikoja tämän aikajakson aikana, ota yhteyttä suoraan VONROC-yhtiöön.

Tämä takuu ei kata seuraavia olosuhteita:

- Valtuuttamattomat huoltopalvelut ovat tehneet tai yrittäneet tehdä tuotteeseen korjauksia.
- Normaali kuluminen.
- Työkalua on väärinkäytetty, käytetty tai ylläpidetty virheellisesti.
- Tuotteessa on käytetty muita kuin alkuperäisiä varaosia.

Yhtiö myöntää yksinomaan tämän takuun. Muita suoria tai välillisiä takuita ei myönnetä tämän takuun lisäksi, mukaan lukien välilliset takuut koskien kaupattavuutta ja sopivuutta tiettyyn käyttötarkoitukseen. VONROC ei missään tapauksessa ota vastuuta satunnaisista tai seuraamuksellisista vahingoista. Jälleenmyyjien korjaavat toimet rajoittuvat niiden yksiköiden tai osien korjaamiseen tai vaihtamiseen, jotka eivät ole vaatimustenmukaisia.

Tuotteeseen ja ohjekirjaan voidaan tehdä muutoksia. Teknisiin tietoihin voidaan tehdä muutoksia ilmoituksetta.

1. SIKKERHETSANVISNINGER

Les de medfølgende sikkerhetsadvarslene, ekstra sikkerhetsadvarsler og instruksjonene. Dersom du ikke følger alle advarsler og instruksene kan det føre til elektrisk støt, brann og/eller alvorlig personskade. Ta vare på sikkerhetsadvarslene og instruksene for fremtidig referanse.

Følgende symboler brukes i denne bruksanvisningen eller på produktet:



Les bruksanvisningen.



Kun for bruk innendørs



Tidsforsinket miniutrykskringskobling.



Ikke kast batteriet på åpen ild.



Ikke kast batteriet i vann.



Ikke avhende produktet i upassende beholdere.



Egen samling for Li-ion batteri.



Klasse II maskin - Dobbel isolering - Du trenger ikke et jordet støpsel.



Produktet er i samsvar med aktuelle sikkerhetsstandarder i EU-direktivene.

SIKKERHETSNOTATER

DETTE APPARATET KAN BRUKES AV BARN I ALDEREN ÅTTE ÅR OG OVER, SAMT PERSONER MED REDUSERTE FYSISKE, SENSORISKE ELLER MENTALE EVNER, ELLER MED MANGLENDE ERFARING OG KUNNSKAP, SÅ FREMT DE ER UNDER TILSYN ELLER ER INSTRUERT OM TRYGG BRUK AV APPARATET OG FORSTÅR DE FARENE DET MEDFØRER. BARN SKAL IKKE LEKE MED APPARATET. BRUKERENS REN-GJØRING OG VEDLIKEHOLD SKAL IKKE FORETAS AV BARN UTEN TILSYN.

- **Ikke støvsug materialer som er skadelige for helsen, som f.eks. støv fra bøk eller eik, murstøv, asbest.** Disse materialene er å anse som kreftfremkallende. **Sett deg inn i gjeldende forskrifter/lover for landet ditt angående håndtering av helsefarlige materialer.**

- **Bruk kun støvsugeren når du har full forståelse for den, og kan utføre alle funksjoner uten begrensning, eller har mottatt relevante instruksjoner.** En grundig introduksjon reduserer driftsfeil og skader.
- **Bruk aldri våt/tørr-støvsugeren uten et filter. Sørg alltid for at filtrene sitter skikkelig fast.**
- **Støvsugeren må kun lagres innendørs.** Inntrengningen av regn eller væte i støvsugerens lokk øker risikoen for et elektrisk støt.
- Ikke støvsug varmt eller brennende støv, og i rom der det er fare for eksplosjon. Støv kan antenne eller eksplodere.
- Fjern batteripakken fra støvsugeren før du vedlikeholder eller rengjør, foretar justeringer, skifter ut tilbehør eller setter støvsugeren bort. Dette sikkerhetstiltaket forhindrer utilsiktet start av støvsugeren.
- Sørg for at arbeidsplassen er godt ventilert.
- Få støvsugeren reparert kun av kvalifiserte spesialister og kun med bruk av originale reservedeler. Dette sikrer at sikkerheten til støvsugeren din opprettholdes.
- Ikke rengjør støvsugeren med en vannstråle rettet direkte mot den. Inntrengning av vann i støvsugerens lokk øker risikoen for et elektrisk støt.
- Når støvsugeren ikke brukes, må den lagres på en trygg plass.
- Lagringsplassen skal være tørr og låsbar. Dette forhindrer at støvsugeren blir skadd under lagring eller når den blir brukt av uerfarne personer.
- Enheten er ikke egnet for kommersiell eller industriell bruk.
 - Må ikke brukes til å suge opp fuktige substanser eller væsker.
 - Må ikke brukes til å suge opp aske eller sot.
 - Må ikke brukes til å støvsuge bygningsrester.

SIKKERHETSADVARSLER FOR BATTERI

- a) **Ikke åpne batteriet.** Fare for kortslutning.
- b) **Beskytt batteriet mot varme, som f. eks. kontinuerlig kraftig solskinn, ild, vann og fuktighet.** Fare for eksplosjon.
- c) **Ved skade på eller feilaktig bruk av batteriet, kan det avgi damp. Ventilér området og få legehjelp dersom du merker ubehag.** Dampen kan irritere åndedrettsystemet.
- d) **Bruk kun batteriet sammen med ditt Vonroc-produkt.** Kun da er du sikret mot at batteriet overbelastes.

- e) **Batteriet kan ta skade av skarpe objekter som spikere eller skrutrekkere eller av ekstern kraft.** En intern kortslutning kan oppstå og batteriet kan ta fyr, utvikle røyk, eksplodere eller bli overopphetet.

SIKKERHETSANVISNINGER FOR LADEREN

Tiltenkt bruk

Lad kun oppladbare batteripakker av typen CD801AA og CD803AA med laderen. Andre typer batterier kan sprekke og forårsake personskade og skade.

- a) **Apparatet skal ikke bli brukt av personer (inkludert barn) med reduserte fysiske, sensoriske eller mentale evner, eller mangel på erfaring og kunnskap, med mindre de har fått tilsyn eller instruksjon.**
- b) **Barn som er under tilsyn skal ikke å leke med apparatet.**
- c) **Ikke lad opp ikke-oppladbare batterier!**
- d) **Under lading skal batterier plasseres i et område som er godt ventilert!**

2. MASKININFORMASJON

Tiltenkt bruk

Støvsugeren egner seg for våt- og tørrstøvsuging på grunn av det medfølgende filteret. Den kan også bli brukt som et håndholdt støvavsug for elektroverktøy. Støvsugeren er ikke ment til å støvsuge brennbart, eksplosivt eller farlig støv. Enheten er ikke egnet for kommersiell eller industriell bruk.

TEKNISKE SPESIFIKASJONER



Denne manualen er laget for ulike sett / artikkelnummer. For det korrekte sammensettning og innhold i settet ditt, kontroller det tilsvarende artikkelnummeret i spesifikasjonstabellen nedenfor.

Modellnr.	Batterier inkludert	Ladere inkludert
VC508DC	-	-
S_VC508DC	CD801AA	CD802AA
S2_VC508DC	2 x CD801AA	CD802AA
S3_VC508DC	CD803AA	CD802AA

Maskininformasjon	
Spenningsbatteri	20V
Sugestyrke	≥10kPA
IP-klasse	IPX4
Støy	75dB(A)
Arbeidstid (2.0Ah / 4.0Ah)	15 min / 30 min
Beholderkapasitet ca.	15 L
Brukbart volum ca.	10 L
Filter – tørr	HEPA-filter
Filter – våt	Skumfilter
Slangelengde	1,68 m
Slangeomkrets	Ø 40 mm
Vekt ca. (uten batteri og tilbehør)	3,5 kg
Anbefalt støvoppsamlingspose	VC814AA
Anbefalt HEPA-filter	VC813AA

Valgfritt tilbehør	
Gulvtilbehørsett (rør, gulvmunnstykke og hjul)	VC812AA

Modellnr.	CD801AA
Batteritype	Litium-ion
Spenning	20V
Kapasitet	2,0 Ah
Anbefalt lader	CD802AA
Vekt	0,3 kg

Modellnr.	CD802AA
Ladertilførsel	220-240 V, 50 Hz 0,4 A
Ladereffekt	21 V 2,5A
Ladetid 2Ah batteri	60 minutter
Ladetid 4Ah batteri	120 minutter
Anbefalte batterier	CD801AA, CD803AA
Vekt	0,36 kg

Modellnr.	CD803AA
Batteritype	Litium-ion
Spenning	20V
Kapasitet	4,0 Ah
Anbefalt lader	CD802AA
Vekt	0,65 kg

Bruk kun de følgende batterier til VONROC VPOWER 20V batteriplattformen. Bruk av andre batterier kan føre til alvorlig personskade eller skader på verktøyet.

- CD801AA 20V, 2Ah Lithium-Ion
- CD803AA 20V, 4Ah Lithium-Ion

Følgende lader kan brukes for å lade opp disse batteriene.

- CD802AA Hurtiglader

Batteriene basert på VONROC VPOWER 20V-batteriplattform er utbyttable med alle batterier for VONROC VPOWER 20V batteriverktøyer.

BESKRIVELSE

Tallene i teksten henviser til diagrammene på side 2-3.

1. Av/på bryter
2. Bærehåndtak
3. Deksel for batteri
4. Batteri
5. Batteriopplåsningsknapp
6. Låseklemme
7. Øverste seksjon
8. Beholder
9. Blåseport
10. Støvsugerport
11. Inntaksport
12. Slange
13. Skumfilter
14. HEPA-filter
15. Filterbur
16. Flottør
17. Støvoppsamlingspose
18. Trekantet munnstykke
19. Spaltnunnstykke
20. Bilstøvsugerverktøy
21. Elektroverktøyadapter
22. Batteri LED-indikatorknapp
23. Batteri LED-indikator
24. Lader
25. Lader LED-indikator

3. MONTERING



Fjern batteriet før noe jobb blir gjort på elektroverktøyet.



Batteriet må lades før brukt for første gang.

Sett batteriet inn i maskinen (Fig. B1, B2)



Sørg for at utsiden av batteriet er rent og tørt før du tilkobler laderen eller maskinen.

1. Sett inn batteriet (4) inn i basen av maskinen, som vist i Fig. B1, B2.
2. Skyv batteriet lenger frem til det klikker på plass.

Å fjerne batteriet fra maskinen (Fig. B1, B2)

1. Trykk på batteriopplåsingsknappen (5).
2. Dra batteriet ut av maskinen som vist i Fig. B1, B2.

Kontroller batteriets ladestatus (Fig. C)

- For å kontrollere batteriets ladestatus, trykk hurtig på knappen (22) på batteriet.
- Batteriet har tre lys som indikerer ladenivået, jo flere lys som brenner, jo mer ladning har batteriet igjen.
- Når lysene ikke brenner, betyr dette at batteriet er tomt og umiddelbart må lades.

Lading av batteriet ved å bruke laderen (Fig. C)

1. Ta batteriet (4) ut av maskinen.
2. Snu batteriet (4) opp-ned og skyv det oppå laderen (24) som vist i Fig. C.
3. Skyv batteriet til det er fullstendig skjøvet inn i sporet.
4. Koble ladepluggen til en stikkontakt og vent en stund. LED-indikatorene på laderen (25) vil lyse opp og vise laderens status.

Laderen har to LED-indikatorer (25) som indikerer statusen på ladeprosessen:

Rød LED-status	Grønn LED-status	Laderstatus
Av	Av	Ingen strøm
Av	På	Standby-modus: - Ingen batteri satt inn eller, - Batteri satt inn, men ladingen er ferdig
På	Av	Batterilading pågår

- Fulllading av 2Ah-batteriet kan ta opptil 60 minutter.
- Fulllading av 4Ah-batteriet kan ta opptil 120 minutter.

Etter at batteriet er fulladet, fjern laderpluggen fra stikkkontakten og fjern batteriet fra laderen.



Når maskinen ikke skal brukes over lengre tid, er det best å oppbevare batteriet i ladet tilstand.

Montering av filteret (Fig. E – G)

1. Fjern den øverste seksjonen (7) av beholderen (8) som vist i Fig. E.
2. Monter filteret. Sørg for å montere det korrekte filter, avhengig av applikasjonen:
 - For tørr støvsuging, forsiktig skyv HEPA-filteret (14) over filterholderen (15) og sørg for at hele buret (15) er dekket som vist i Fig. F1.
 - For våtstøvsuging, forsiktig skyv skumfilteret (13) over filterholderen (15) og sørg for at hele buret (15) er dekket som vist i Fig. F2.
3. Plasser den øversete seksjonen (7) på beholderen (8) som vist i Fig. E.

Koble til slangen (Fig. D1, D2).

- For støvsuging (Fig. D1), koble sugeslangen (12) til støvsugerporten (10).
- For å blåse (fig. D2), koble sugeslangen (12) til blåseporten (9).

Koble til ønsket dyse.

Trekantet munnstykke (18)

Det trekantede munnstykket er laget for våt- og tørrstøvsuging hjemme, i for eksempel huset, arbeidsrommet eller garasjen.

Spaltnunnstykke (19)

Spaltnunnstykket er laget for våt- og tørrstøvsuging hjemme, kanter og andre områder som er vanskelig komme til.

Bilstøvsugerverktøy (20)

Børsten er laget for å støvsuge faste stoffer fra små områder. For eksempel fra bilseter.

Elektroverktøyadapter (21)

Adapter for tilkobling av sugeslange med elektroverktøy.

4. BRUK



Om støvsugeren tipper over ved et uhell, kan avstengningsflottøren (16) dekke motorens støvsugerport og stoppe sugingen. Om dette skjer, setter du bare støvsugeren oppreist og slår den av inntil flottøren (16) går tilbake til sin vanlige posisjon.



Ikke støvsug uten et filter!

Å slå maskinen på/av

- Trykk strømbryteren (1) til «PÅ/I»-posisjon for å starte støvsugeren.
- Trykk strømbryteren (1) til «AV/O»-posisjon for å slå av støvsugeren.

Tørrestøvsuging (Fig. D1, G)



Rengjør HEPA-filteret (14) regelmessig for å opprettholde sugekraften.



For å unngå at HEPA-filteret (14) blir tilstoppet, anbefaler vi ekstra bruk av en støvoppsamlingspose (17).



En tilstoppet støvoppsamlingspose (17) kan sprekke.
- sørg derfor for å skifte ut støvoppsamlingsposen i tide!

1. Slå av (1) maskinen og fjern batteriet.
2. Lås opp låseklemmen (6) og fjern den øverste seksjonen (7).
3. Fjern alt smuss og rusk fra beholderen før du støvsuger (8).
4. Skyv HEPA-filteret (14) forsiktig ned over filterburet (15) og pass på at hele buret er dekket som vist i Fig. F1.
5. For støvsuging med støvoppsamlingspose (17):
 - Hold pappkraven godt og skyv gummibeskyttelselementet så langt som mulig inn på inntaksporten (11) som vist i Fig. G.
 - Når alt er på plass, bretter du ut posen (17) og plasserer den rundt på innsiden av beholderen (8).
6. Fest den øverste seksjonen (7) igjen og lås låseklemmen (6).
7. Sett den ene enden av slangen (12) inn i støvsugerporten (10). Rull sugeslangen (12) helt ut.

For støvsuging:

8. Sett inn batteriet.
9. Trykk strømbryteren (1) til «PÅ/I»-posisjon for å starte støvsugeren.
10. Maskinen er nå klar til bruk for tørrestøvsuging.
11. Trykk strømbryteren (1) til «AV/O»-posisjon for å slå av støvsugeren.

For arbeid med elektroverktøy:

8. Tilpass elektroverktøyadapteren (21) til støvavsugsuttaket på elektroverktøyet. Om nødvendig, bruk en kniv.
9. Koble elektroverktøyadapteren (21) til slangen (12) og koble den til støvavsugsuttaket for elektroverktøyet.
11. Sett inn batteriet.
12. Trykk strømbryteren (1) til «PÅ/I»-posisjon for å starte støvsugeren.
13. Maskinen er nå klar til bruk for tørrestøvsuging.
14. Trykk strømbryteren (1) til «AV/O»-posisjon for å slå av støvsugeren.

Våtstøvsuging (Fig. F2)



Støvsugeren er utstyrt med en flottør (16). Sugeeffekten avtar når det maksimale fyllingsnivået er nådd. Slå umiddelbart av støvsugeren (1). Tøm beholderen (8).



Rengjør flottøren (16) med jevne mellomrom, og kontroller den for skader. Ellers kan funksjonen bli svekket.



Aldri berør vannet som skal suges opp. Fare for elektrisk støt.



Slå umiddelbart av (1) maskinen om det dannes skum eller væsker renner ut!



Ikke bruk en støvoppsamlingspose (17)!

1. Trykk strømbryteren (1) til «AV/O»-posisjon og fjern batteriet.
2. Lås opp låseklemmen (6) og fjern den øverste seksjonen (7).
3. Før våtstøvsuging, fjern støvoppsamlingspose (17), HEPA-filteret (14) og fjern alt smuss og rusk fra beholderen (8).
4. Skyv HEPA-filteret (13) forsiktig ned over filterburet (15) og pass på at hele buret er dekket som vist i Fig. F2.
5. Fest den øverste seksjonen (7) igjen og lås låseklemmen (6).

6. Sett den ene enden av slangen (12) inn i støvsugerporten (10). Rull sugeslangen (12) helt ut.
7. Sett inn batteriet.
8. Trykk strømbryteren (1) til «PÅ/|»-posisjon for å starte støvsugeren.
9. Maskinen er nå klar til bruk for våtstøvsuging.
10. Trykk strømbryteren (1) til «AV/0»-posisjon for å slå av støvsugeren.
11. Hev slangen (12) slik at væsken renner inn i beholderen (8).
12. Tøm umiddelbart beholderen (8) etter sugerengjøring fordi den ikke er laget for å oppbevare væske.

Blåsefunksjon (fig. D2)



Drift uten bruk av et filter anbefales.



Fjern alt smuss og rusk fra beholderen (8) før du tar i bruk blåsefunksjonen.

Støvsugeren din er utstyrt med en blåsefunksjon. Den kan brukes til å blåse støv og rusk ut fra garasjer, eller fra terrasser og oppkjørsler. Vi anbefaler å bruke spaltemunnstykket (19) for en sterkere luftstrøm.

1. Trykk strømbryteren (1) til «AV/0»-posisjon og fjern batteriet.
2. Lås opp låseklemmen (6) og fjern den øverste seksjonen (7).
3. Før blåsing, fjern støvoppsamlingspose (17), filteret (13, 14) og fjern alt smuss og rusk fra beholderen (8).
4. Fest den øverste seksjonen (7) igjen og lås låseklemmen (6).
5. Sett den ene enden av slangen (12) inn i blåseport (9) på baksiden av maskinen. Rull sugeslangen (12) helt ut.
6. Sett inn batteriet(4).
7. Trykk strømbryteren (1) til «PÅ/|»-posisjon for å starte støvsugeren.
8. Maskinen er nå klar til å blåse støv og rusk.
9. Trykk strømbryteren (1) til «AV/0»-posisjon for å slå av støvsugeren.

Fullfør operasjonen

1. Trykk strømbryteren (1) til «AV/0»-posisjon for å slå av støvsugeren. Fjern batteri.
2. Fjern den øverste seksjonen (7) og tøm beholderen (8).
3. Rengjør maskinen med en myk klut og oppbevar den i et tørt rom.

5. VEDLIKEHOLD



Før rengjøring og vedlikehold, slå alltid av maskinen og fjern batteriet.

Rengjør batterihuset regelmessig, helst etter hver bruk, med en myk klut. Sørg for at ventilasjonsåpningene er fri for støv og skitt. Fjern svært vedvarende smuss med en myk klut fuktet med såpeskum. Ikke bruk løsemidler som bensin, alkohol, ammoniakk osv. Kjemikalier som disse vil skade de syntetiske komponentene.

Beholder

Tøm umiddelbart beholderen (8) etter sugerengjøring fordi den ikke er laget for å oppbevare væske.

1. Fjern den øverste seksjonen (6) og tøm beholderen (8).
2. Rengjør maskinen med en myk klut.

Filtere



For optimal ytelse er det anbefalt å skifte ut filterene regelmessig (13, 14) avhengig av bruksnivå.

Hepa-filter:

1. Fjern forsiktig HEPA-filteret (14).
2. Rengjør filterets overflate med en børste.
3. Vask forsiktig filterene med vann under 40 grader.
4. La filteret lufttørke før du installerer og bruker det igjen.
5. Installer filteret på nytt.

Skumfilter:

1. Fjern forsiktig skumfilteret (13).
2. Vask forsiktig filterene med vann under 40 grader.
3. La filteret lufttørke før du installerer og bruker det igjen.
4. Installer filteret på nytt.

Flottør og filterbur

Rengjør flottøren (16) og filterholderen (15) regelmessig med en myk klut, og kontroller den for skader. Ellers kan funksjonen bli svekket.

MILJØ



Defekte og/eller kasserte elektriske eller elektroniske apparater må leveres på passende gjenbruksstasjon.

Kun for EU/EØS land

Ikke kast elektriske verktøy i husholdingsavfallet. I henhold til EC-direktiv 2012/19/EU for elektronisk og elektrisk avfall (WEEE-direktivet) som inntatt i norsk lov, må elektroverktøy som ikke lenger er brukbare samles inn separat og avhendes på en miljøvennlig måte.

GARANTI

VONROC-produkter er utviklet i henhold til de høyeste kvalitetsstandarder og er garantert fri for defekter i både materialer og utførelse i den forskriftsmessige perioden fra og med den opprinnelige kjøpsdatoen. Dersom produktet viser feil i løpet av denne perioden som skyldes defekter i materialer og/eller utførelse, kontakt VONROC direkte.

Følgende omstendigheter er ekskludert fra denne garantien:

- Reparasjoner og/eller endringer som er foretatt eller forsøkt utført på apparatet ved et uautorisert servicesenter.
- Normal bruk og slitasje.
- Verktøyet er mishandlet, misbrukt eller feilaktig vedlikeholdt.
- Det er brukt uoriginale reservedeler.

Dette er den eneste garantien som firmaet gir, enten uttrykt eller underforstått. Det finnes ingen andre uttrykte eller underforståtte garantier som rekker utover de viste her, inkludert underforståtte garantier for salgbarhet eller egnethet for bestemte formål. Under ingen omstendigheter kan VONROC holdes ansvarlig for tilfeldige skader eller følgeskader. Forhandlerens virkemidler er begrenset til reparasjon eller skifte av ukomforme moduler eller deler.

Produktet og bruksanvisningen har forbehold om endringer. Spesifikasjonene kan endres uten forvarsel.

1. SIKKERHEDSANVISNINGER

Læs de vedlagte sikkerhedsadvarsler, de yderligere sikkerhedsadvarsler og vejledningen. Hvis sikkerhedsadvarslene og vejledningen ikke følges, kan det resultere i elektrisk stød, brand og/eller alvorlige personskader. Gem sikkerhedsadvarslene og vejledningen til fremtidig brug.

Følgende symboler anvendes i brugervejledningen eller på produktet:



Læs brugervejledningen.



Kun til indendørs brug



Tidsforskudt miniature sikringsindsats.



Kast ikke batteriet ind i åben ild.



Kast ikke batteriet ned i vand.



Bortskaf ikke produktet i uegnede beholdere.



Separat aflevering af Li-ion batteri.



Klasse II-maskine - Dobbeltisoleret - Du har ikke brug for et jordstik.



Produktet er i overensstemmelse med de gældende sikkerhedsstandarder i EU-direktiverne.

SIKKERHEDSBEMÆRKNINGER

DETTE APPARAT KAN ANVENDES AF BØRN PÅ 8 ÅR OG DEROVER SAMT AF PERSONER MED NEDSATTE FYSISKE, SENSORISKE ELLER MENTALE EVNER ELLER MANGLENDE ERFARING OG VIDEN, HVIS DE HOLDES UNDER OPSYN ELLER HAR FÅET VEJLEDNING I AT BRUGE APPARATET PÅ EN SIKKER MÅDE OG FORSTÅR DE DERMED FORBUNDNE RISICI. BØRN MÅ IKKE LEGE MED APPARATET. RENGØRING OG BRUGERVEJLEDNING MÅ IKKE UDFØRES AF BØRN UDEN OPSYN.

- **Støvsug ikke materialer, der er sundhedsskadelige, f.eks. støv fra bølge- eller egetræ, støv fra murværk, asbest.** Disse materialer anses for at være kræftfremkaldende. **Informér**

dig selv om dit lands gældende regler/love vedrørende håndtering af materialer, der er sundhedsfarlige.

- **Brug kun støvsugeren, når du fuldt ud forstår og kan udføre alle funktioner uden begrænsninger, eller du har modtaget passende instruktioner.** En grundig introduktion reducerer betjeningsfejl og skader.
- **Brug aldrig våd-/tørstøvsugeren uden et filter. Sørg altid for, at filtrene sidder godt fast.**
- **Støvsugeren må kun opbevares indendørs.** Hvis der trænger regn eller fugt ind i støvsugeren, øges risikoen for elektrisk stød.
- Undlad at støvsuge varmt eller brændende støv og at støvsuge i rum med eksplosionsfare. Støv kan antændes eller eksplodere.
- Fjern batteripakken fra støvsugeren, før du vedligeholder eller rengør, foretager justeringer, skifter tilbehør eller stiller støvsugeren væk. Denne sikkerhedsforanstaltning forhindrer utilsigtet start af støvsugeren.
- Sørg for god ventilation på arbejdspladsen.
- Få kun støvsugeren repareret af kvalificerede specialister og kun med originale reservedele. Dette sikrer, at din støvsuger fortsat er sikker at bruge.
- Rengør ikke støvsugeren med en vandstråle rettet direkte mod den. Hvis der trænger vand ind i støvsugeren, øges risikoen for elektrisk stød.
- Når støvsugeren ikke er i brug, skal den opbevares sikkert.
- Opbevaringsstedet skal være tørt og kunne aflåses. Dette forhindrer, at støvsugeren bliver beskadiget, når den opbevares eller bruges af uerfarne personer.
- Enheden er ikke velegnet til kommerciel eller industriel brug.
 - Brug den ikke til at støvsuge fugtige stoffer eller væsker op.
 - Brug den ikke til at støvsuge aske eller sod op.
 - Brug den ikke til at støvsuge murbrokker op.

SIKKERHEDSADVARSLER FOR BATTERI

- a) **Åbn ikke batteriet.** Fare for kortslutning.
- b) **Beskyt batteriet mod varme, f.eks. mod kontinuerligt intenst sollys, brand, vand og fugt.** Fare for eksplosion.
- c) **I tilfælde af skade og forkert brug af batteriet, kan der blive udsendt dampe. Udluft området, og søg lægehjælp i tilfælde af klager.** Dampene kan irritere åndedrætssystemet.

- d) **Brug kun batteriet sammen med dit Vonroc-produkt.** Denne foranstaltning alene beskytter batteriet mod farlig overbelastning.
- e) **Batteriet kan blive beskadiget af spidse genstande såsom søm eller skruetrækkere eller af eksternt påført kraft.** Der kan opstå en intern kortslutning, og batteriet kan brænde, ryge, eksplodere eller bliver overophedet.

SIKKERHEDSADVARSLER FOR OPLADER

Tilsigtet brug

Oplad kun genopladelige batteripakker af type CD801AA og CD803AA med opladeren. Andre typer batterier kan sprænge og dermed forårsage personskader og beskadigelser.

- a) **Dette apparat er ikke beregnet til at blive anvendt af personer (herunder børn) med reducerede fysiske, sansemæssige eller mentale evner samt med manglende erfaring eller viden, med mindre de er under opsyn eller bliver instrueret.**
- b) **Børn skal være under opsyn, så de ikke leger med apparatet.**
- c) **Oplad ikke batterier, der ikke er genopladelige!**
- d) **Under opladningen skal batterierne befinde sig i et område med god udluftning!**

2. MASKINOPLYSNINGER

Tilsigtet brug


Støvsugeren er velegnet til våd- og tørstøvsugning ved hjælp af det medfølgende filter. Den kan også bruges som håndholdt støvsuger til elværktøj. Støvsugeren er ikke beregnet til støvsugning af brændbart, eksplosivt eller farligt støv. Enheden er ikke velegnet til kommerciel eller industriel brug.

TEKNISKE SPECIFIKATIONER





Denne vejledning er udarbejdet til forskellige sæt/varenumre. Kontroller det tilsvarende varenummer i nedenstående tabel med specifikationer for den korrekte sammensætning og indholdet af dit sæt.


Model nr.	Batterier medfølger	Opladere medfølger
VC508DC	-	-
S_VC508DC	CD801AA	CD802AA
S2_VC508DC	2 x CD801AA	CD802AA
S3_VC508DC	CD803AA	CD802AA

Maskinoplysninger	
Spænding batteri	20 V 
Sugekraft	≥10 kPA
IP-klasse	IPX4
Støj	75 dB(A)
Driftstid (2,0 Ah / 4,0 Ah)	15 min / 30 min
Beholderkapacitet ca.	15 L
Nyttigt volumen ca.	10 L
Filter – tørt	HEPA-filter
Filter – vådt	Skumfilter
Slangelængde	1,68 m
Slangediameter	Ø 40 mm
Vægt ca. (uden batteri og tilbehør)	3,5kg
Anbefalet støvsamlingspose	VC814AA
Anbefalet HEPA-filter	VC813AA

Valgfrit tilbehør	
Gulvtilbehørssæt (slange, gulvmundstykke og hjul)	VC812AA

Model nr.	CD801AA
Batteritype	Lithium-Ion
Spænding	20 V 
Kapacitet	2,0 Ah
Anbefalet oplader	CD802AA
Vægt	0,3 kg

Model nr.	CD802AA
Opladerinput	220-240 V, 50 Hz 0,4 A
Opladeroutput	21 V  2,5 A
Opladningstid 2 Ah batteri	60 minutter
Opladningstid 4 Ah batteri	120 minutter
Anbefalede batterier	CD801AA, CD803AA
Vægt	0,36 kg

Model nr.	CD803AA
Batteritype	Lithium-Ion
Spænding	20 V 
Kapacitet	4,0 Ah
Anbefalet oplader	CD802AA
Vægt	0,65kg

Brug kun de følgende batterier af VONROC VPOWER 20V-batteriplatformen. Brug af andre batterier kan forårsage personskade eller beskadigelse af værktøjet.
 CD801AA 20 V, 2 Ah Lithium-Ion
 CD803AA 20 V, 4 Ah Lithium-Ion

Den følgende oplader kan bruges til at oplade disse batterier.
 CD802AA Hurtig oplader

Batterierne af VONROC VPOWER 20V-batteriplatformen kan udskiftes med alle værktøjer af VONROC VPOWER 20V-batteriplatformen.

BESKRIVELSE

Tallene i teksten henviser til diagrammerne på side 2-3.

1. Tænd/sluk-kontakt
2. Bærehåndtag
3. Dæksel til batteri
4. Batteri
5. Knap til oplåsning af batteri
6. Låseklampe
7. Topvalg
8. Beholder
9. Blæserport
10. Støvsugerport
11. Indsugningsport
12. Slange
13. Skumfilter
14. HEPA-filter
15. Filterholder
16. Flyder
17. Støvsamlingspose
18. Trekantet mundstykke
19. Revnemundstykke
20. Bilstøvsugerværktøj
21. Elværktøjsadapter
22. Knap til LED-indikatorer for batteri
23. LED-indikatorer for batteri
24. Oplader
25. LED-indikatorer for oplader

3. MONTERING



Tag batteriet ud, inden der udføres arbejde på el-værktøjet.



Batteriet skal oplades inden første brug.

Sådan sættes batteriet ind i maskinen (fig. B1, B2)



Sørg for, at batteriets yderside er ren og tør, inden du forbinder det til opladeren eller maskinen.

1. Sæt batteriet (4) ind i maskinens base, som vist på fig. B1, B2.
2. Skub batteriet længere frem, indtil det klikker på plads.

Sådan tages batteriet ud af maskinen (fig. B1, B2)

1. Tryk på knappen til oplåsning af batteri (5).
2. Træk batteriet ud af maskinen, som vist på fig. B1, B2.

Kontrol af batteriets opladestatus (fig. C)

- Tryk kortvarigt på knappen (22) på batteriet for at kontrollere batteriets opladningsstatus.
- Batteriet har 3 lamper, der angiver opladningsniveauet. Jo flere lamper, der lyser, des mere opladning er der tilbage i batteriet.
- Når lamperne ikke lyser, betyder det, at batteriet er tomt og skal oplades med det samme.

Opladning af batteriet med opladeren (fig. C)

1. Tag batteriet (4) ud af maskinen.
2. Vend batteriet (4) på hovedet, og skub det ind i opladeren (24), som vist på fig. C.
3. Skub batteriet, indtil det er helt inde i åbningen.
4. Sæt opladerstikket i en stikkontakt, og vent et øjeblik. LED-indikatorerne på opladeren (25) lyser og viser opladerens status.

Opladeren har 2 LED-indikatorer (25), som indikerer opladningsprocessens status:

Rød LED-status	Grøn LED-status	Opladerstatus
Slukket	Slukket	Ingen strøm
Slukket	Tændt	Standby-tilstand: - Intet batteri isat, eller - Batteri isat, men opladning er afsluttet
Tændt	Slukket	Batteriopladning i gang

- Det kan tage op til 60 minutter at lade 2 Ah batteriet helt op.
- Det kan tage op til 120 minutter at lade 4 Ah batteriet helt op.

Når batteriet er ladet helt op, skal du tage opladerens stik ud af kontakten og fjerne batteriet fra opladeren.



Når maskinen ikke bruges gennem en længere periode, er det bedst at opbevare batteriet i opladet tilstand.

Samling af filteret (fig. E - G)

1. Fjern topdelen (7) af beholderen (8) som vist på fig. E.
2. Saml filteret. Sørg for at montere det korrekte filter, afhængigt af applikationen:
 - Ved tørstøvsugning skal du forsigtigt skubbe HEPA-filteret (14) over filterholderen (15), mens du sørger for, at hele holderen (15) er dækket, som vist i fig. F1.
 - Ved vådstøvsugning skal du forsigtigt skubbe skumfilteret (13) over filterholderen (15), mens du sørger for, at hele holderen (15) er dækket, som vist i fig. F2.
3. Placer topdelen (7) på beholderen (8) som vist på fig. E.

Tilslutning af slangen (fig. D1, D2).

- Ved støvsugning (fig. D1) skal du slutte sugeslangen (12) til støvsugerporten (10).
- Ved blæsning (fig. D2) skal du slutte sugeslangen (12) til blæserporten (9).

Tilslut det ønskede mundstykke.

Trekantet mundstykke (18)

Det trekantede mundstykke er designet til husholdningsbrug som våd- og tørstøvsuger, f.eks. i hjemmet, arbejdsrummet eller garagen.

Revnemundstykke (19)

Revnemundstykket er designet til våd- og tørstøvsugning i husholdningen af kanter og andre områder, der er svært tilgængelige.

Bilstøvsugerværktøj (20)

Børsten er designet til at støvsuge faste stoffer fra små områder. For eksempel fra bilsæder.

Elværktøjsadapter (21)

Adapter til tilslutning af sugeslange med et elværktøj.

4. BETJENING

Hvis støvsugeren ved et uheld vælter, kan flydermekanismen (16) muligvis dække motorens støvsugerport og stoppe sugningen. Hvis dette sker, skal du bare placere støvsugeren lodret og slukke, indtil flyderen (16) vender tilbage til sin normale position.



Støvsug ikke uden et filter!

Sådan tændes/slukkes maskinen

- Tryk tænd/sluk-kontakten (1) ind i positionen "ON/I" for at starte din støvsuger.
- Tryk tænd/sluk-kontakten (1) ind i positionen "OFF/O" for at slukke din støvsuger.

Tørstøvsugning (fig. D1, G)

Rengør HEPA-filteret (14) regelmæssigt for at opretholde sugestyrken.



For at undgå tilstopning af HEPA-filteret (14) anbefaler vi yderligere brug af en støvopsamlingspose (17).



En tilstoppet støvopsamlingspose (17) kan sprænge.
– sørg derfor for at udskifte støvopsamlingsposen til tiden!

1. Sluk (1) for maskinen og tag batteriet ud.
2. Lås op for metallåseklampen (6) og fjern topdelen (7).
3. Inden støvsugning skal du fjerne alt snavs og alle rester fra beholderen (8).
4. Skub forsigtigt HEPA-filteret (14) ned over filterholderen (15), mens du sørger for, at hele holderen er dækket, som vist i fig. F1.
5. Ved støvsugning med støvopsamlingspose (17):
 - Hold stramt i papkraven, og skub det beskyttende gummelement så langt som muligt på indsugningsporten (11) som vist i fig. G.
 - Når alt er på plads, skal du folde posen (17) ud og placere den omkring beholderens (8) indervægge.

6. Sæt topdelen (7) på igen, og lås klampen (6).
7. Indsæt den ene ende af slangen (12) i støvsugerporten (10). Rul sugeslangen (12) helt ud.

Ved støvsugning:

8. Indsæt batteriet.
9. Tryk tænd/sluk-kontakten (1) ind i positionen "ON/I" for at starte din støvsuger.
10. Maskinen er nu klar til tørstøvsugning.
11. Tryk tænd/sluk-kontakten (1) ind i positionen "OFF/O" for at slukke din støvsuger.

Ved arbejde med elværktøjer:

8. Tilpas elværktøjsadapteren (21) til støvudsugerudgangen på elværktøjet. Brug om nødvendigt en kniv.
9. Slut elværktøjsadapteren (21) til slangen (12) og slut den til elværktøjets støvudsugerudgang.
11. Indsæt batteriet.
12. Tryk tænd/sluk-kontakten (1) ind i positionen "ON/I" for at starte din støvsuger.
13. Maskinen er nu klar til tørstøvsugning.
14. Tryk tænd/sluk-kontakten (1) ind i positionen "OFF/O" for at slukke din støvsuger.

Våd støvsugning (fig. F2)

Støvsugeren er udstyret med en flyder (16). Sugeeffekten falder, når det maksimale fyldningsniveau er nået. Sluk øjeblikkeligt for støvsugeren (1). Tøm beholderen (8).



Rengør flyderen (16) med jævne mellemrum, og se den efter for skader. Ellers kan dens funktion blive forringet.



Ræk aldrig ned i det vand, der skal suges op. Fare for elektrisk stød.



Sluk øjeblikkeligt for maskinen (1), hvis der dannes skum, eller der slipper væske ud!



Brug ikke en støvopsamlingspose (17)!

1. Tryk strømkontakten (1) ind i positionen "OFF/O", og tag batteriet ud.
2. Lås op for metallåseklampen (6) og fjern topdelen (7).
3. Inden vådstøvsugning skal du fjerne støvopsamlingsposen (17), skumfilteret (14) og fjerne alt snavs og alle rester fra beholderen (8).

4. Skub forsigtigt skumfilteret (13) ned over filterholderen (15), mens du sørger for, at hele holderen er dækket, som vist i fig. F2.
5. Sæt topdelen (7) på igen, og lås klampen (6).
6. Indsæt den ene ende af slangen (12) i støvsugerporten (10). Rul sugeslangen (12) helt ud.
7. Indsæt batteriet.
8. Tryk tænd/sluk-kontakten (1) ind i positionen "ON/I" for at starte din støvsuger.
9. Maskinen er nu klar til vådstøvsugning.
10. Tryk tænd/sluk-kontakten (1) ind i positionen "OFF/O" for at slukke din støvsuger.
11. Hæv slangen (12), så væsken drænes ned i beholderen (8).
12. Tøm beholderen (8) øjeblikkeligt efter sugning, da den ikke er beregnet til at opbevare væsker.

Blæsefunktion (fig. D2)



Drift uden brug af filter anbefales.



Fjern alt snavs og alle rester fra beholderen (8), inden du bruger blæsefunktionen.

Din støvsuger er udstyret med en blæsefunktion. Den kan bruges til at blæse støv og rester ud af garager eller fra terrasser og indkørsler. Vi anbefaler at bruge revnemundstykket (19) til stærkere luftstrøm.

1. Tryk strømkontakten (1) ind i positionen "OFF/O", og tag batteriet ud.
2. Lås op for metallåseklampen (6) og fjern topdelen (7).
3. Inden blæsning skal du fjerne støvopsamlingsposen (17), filteret (13, 14) og fjerne alt snavs og alle rester fra beholderen (8).
4. Sæt topdelen (7) på igen, og lås klampen (6).
5. Indsæt den ene ende af slangen (12) i blæserporten (9) bag på maskinen. Rul sugeslangen (12) helt ud.
6. Indsæt batteriet (4).
7. Tryk tænd/sluk-kontakten (1) ind i positionen "ON/I" for at starte din støvsuger.
8. Maskinen er nu klar til at blæse støv og rester.
9. Tryk tænd/sluk-kontakten (1) ind i positionen "OFF/O" for at slukke din støvsuger.

Afsluttende drift

1. Tryk tænd/sluk-kontakten (1) ind i positionen "OFF/O" for at slukke din støvsuger. Tag batteriet ud.
2. Fjern topdelen (7), og tøm beholderen (8).
3. Rengør maskinen med en blød klud, og opbevar den i et tørt rum.

5. VEDLIGEHOLDELSE



Før rengøring og vedligeholdelse skal du altid slukke for maskinen og fjerne batteriet fra maskinen.

Rengør maskinbeklædningerne regelmæssigt med en blød klud, helst efter hver anvendelse. Sørg for, at der ikke er støv eller snavs i ventilationsåbningerne. Fjern snavs, der sidder meget godt fast, med en blød klud, der er fugtet i sæbevand. Brug ikke opløsningsmidler, som f.eks. benzin, sprit, ammoniak osv. Kemikalier som disse beskadiger de syntetiske komponenter.

Beholder

Tøm beholderen (8) øjeblikkeligt efter sugning, da den ikke er beregnet til at opbevare væsker.

1. Fjern topdelen (6), og tøm beholderen (8).
2. Rengør maskinen med en blød klud.

Filtre



For optimal ydeevne anbefales det regelmæssigt at skifte filterne (13, 14) afhængigt af anvendelsesniveauet.

Hepafilter:

1. Fjern forsigtigt HEPA-filteret (14).
2. Rengør filterets overflade med en børste.
3. Vask filteret forsigtigt med vand ved under 40 grader.
4. Lad filteret lufttørre inden installation og brug igen.
5. Geninstaller filteret.

Skumfilter:

1. Fjern forsigtigt skumfilteret (13).
2. Vask filteret forsigtigt med vand ved under 40 grader.
3. Lad filteret lufttørre inden installation og brug igen.
4. Geninstaller filteret.

Flyder og filterholder

Rengør flyderen (16) og filterholderen (15) regelmæssigt med en blød klud, og se den efter for skader. Ellers kan dens funktion blive forringet.

MILJØ



Defekte og/eller bortskaffede elektriske og elektroniske apparater skal afleveres på en passende genbrugsstation.

Kun for lande i EU

Maskinværktøj må ikke bortskaffes sammen med husholdningsaffald. Ifølge EC-direktiv 2012/19/EU om affald af elektrisk og elektronisk udstyr og dets gennemførelse i den nationale lovgivning skal maskinværktøjer, der ikke længere anvendes, afleveres separat og bortskaffes på en miljøvenlig måde.

GARANTI

VONROC-produkter er udviklet til de højeste kvalitetsstandarder og er garanteret fri for defekter i både materialer og udførelse i den periode, der er retsligt angivet fra datoen for det originale køb. Hvis produktet skulle udvikle fejl i denne periode på grund af defekt materiale og/eller udførelse, bedes du kontakte VONROC direkte.

Følgende omstændigheder er udelukket fra denne garanti:

- Uautoriserede servicecentre har foretaget eller gjort forsøg på at foretage reparationer og/eller ændringer på maskinen;
- Normal slitage;
- Værktøjet er blevet misbrugt, brugt forkert eller ikke passende vedligeholdt;
- Der er anvendt ikke-originale reservedele.

Dette udgør den eneste garanti, virksomheden har givet, enten udtrykt eller underforstået. Der er ingen andre garantier, udtrykt eller underforstået, som strækker sig ud over denne, herunder de underforståede garantier for salgbarhed og egnethed til et bestemt formål. Under ingen omstændigheder skal VONROC holdes ansvarlig for tilfældige skader eller følgeskader. Forhandlerens retsmidler skal være begrænset til reparation eller udskiftning af enheder eller dele, der ikke overholder kravene.

1. INSTRUKCJE DOTYCZĄCE BEZPIECZENSTWA

Przeczytać dołączone ostrzeżenia dotyczące bezpieczeństwa, dodatkowe ostrzeżenia dotyczące bezpieczeństwa oraz instrukcję. Nieprzestrzeganie ostrzeżeń dotyczących bezpieczeństwa oraz instrukcji może prowadzić do porażenia prądem, pożaru i/lub poważnych obrażeń ciała. Zachować ostrzeżenia dotyczące bezpieczeństwa oraz instrukcje na przyszłość.

Następujące symbole są umieszczone w instrukcji obsługi lub na produkcie:



Przeczytać instrukcję obsługi.



Tylko do użytku w pomieszczeniach



Miniaturowy bezpiecznik zwłoczny.



Nie wrzucać akumulatora do ognia.



Nie wrzucać akumulatora do wody.



Nie wyrzucać produktu do nieodpowiednich pojemników.



Zbiórka selektywna akumulatora litowo-jonowego.



Maszyna klasy II - Podwójna izolacja - Nie trzeba stosować wtyczek z uzziemieniem.



Produkt spełnia wymogi odpowiednich norm bezpieczeństwa podanych w dyrektywach UE.

UWAGI DOTYCZĄCE BEZPIECZEŃSTWA

TO URZĄDZENIE MOŻE BYĆ UŻYWANE PRZEZ DZIECI W WIEKU OD 8 LAT I OSOBY Z OGRANICZONYMI ZDOLNOŚCIAMI FIZYCZNYMI, CZUCIOWYMI LUB UMYSŁOWYMI LUB NIEPOSIADAJĄCE DOŚWIADCZENIA I WIEDZY, JEŚLI ZNAJDUJĄ SIĘ ONE POD NADZOREM LUB ZOSTAŁY PRZESZKOLONE Z BEZPIECZNEGO UŻYTKOWANIA URZĄDZENIA I ROZUMIEJĄ ZWIĄZANE Z TYM ZAGROŻENIA. DZIECIOM NIE WOLNO POZWALAĆ BAWIĆ SIĘ URZĄDZENIEM. DZIECIOM BEZ NADZORU

NIE WOLNO PRZEPROWADZAĆ CZYSZCZENIA I KONSERWACJI URZĄDZENIA.

- **Nie wciągać odkurzaczem materiałów niebezpiecznych dla zdrowia, np. pyłu z drewna bukowego lub dębowego, pyłu z materiałów murarskich lub azbestu.** Te materiały są uznawane za rakotwórcze. **Zapoznać się z przepisami obowiązującymi w kraju użytkowania dotyczącymi obchodzenia się z materiałami niebezpiecznymi dla zdrowia.**
- **Używać odkurzacza wyłącznie po zapoznaniu się z instrukcją i zdobyciu umiejętności obsługi wszystkich funkcji bez żadnych ograniczeń lub uzyskaniu odpowiedniego przeszkolenia.** Odpowiednie zapoznanie się z instrukcją ogranicza występowanie błędów obsługi i obrażeń ciała.
- **Nigdy nie używać odkurzacza do odkurzania na mokro/sucho bez filtra. Zawsze dopilnowywać, aby filtry były solidnie zamontowane.**
- **Odkurzacz można przechowywać wyłącznie w pomieszczeniach.** Przedostanie się deszczu lub wilgoci do pokrywy odkurzacza zwiększa ryzyko porażenia prądem.
- Nie wsysać gorącego ani płonącego pyłu i nie używać odkurzacza w atmosferze wybuchowej. Może dojść do zapłonu i wybuchu pyłów.
- Wyjąć akumulator z odkurzacza przed rozpoczęciem konserwacji lub czyszczenia, przeprowadzaniem jakiegokolwiek regulacji, wymianą akcesoriów lub przerwą w korzystaniu z odkurzacza. Taki środek ostrożności zapobiega przypadkowemu uruchomieniu odkurzacza.
- Zapewnić dobrą wentylację w miejscu pracy.
- Zlecać naprawę odkurzacza wyłącznie wykwalifikowanym specjalistom wykorzystującym wyłącznie oryginalne części zamienne. Zapewni to zachowanie bezpieczeństwa odkurzacza.
- Nie myć odkurzacza bezpośrednim strumieniem wody. Przedostanie się wody do pokrywy odkurzacza zwiększa ryzyko porażenia prądem.
- Kiedy odkurzacz nie jest w użytku, przechowywać go w bezpiecznym miejscu.
- Miejsce przechowywania musi być suche i zamknięte na klucz. Zapobiegnie to uszkodzeniu odkurzacza podczas przechowywania lub jego użytkowaniu przez osoby niedoświadczone.
- To urządzenie nie jest przeznaczone do użytku komercyjnego ani przemysłowego.
 - Nie używać do wssania mokrych materiałów ani płynów.

- Nie używać do wsysania popiołu lub sadzy.
- Nie używać do wsysania gruzu budowlanego.

nie jest przeznaczone do użytku komercyjnego ani przemysłowego.

OSTRZEŻENIA DOTYCZĄCE AKUMULATORA

- Nie otwierać akumulatora.** Ryzyko zwarcia.
- Chronić akumulator przed gorącym, np. dęto-gotrwałym silnym nasłonecznieniem, ogniem, wodą i wilgocią.** Ryzyko wybuchu.
- W razie uszkodzenia i błędnego użytkowania akumulatora, może dojść do emisji oparów. Przewietrzć miejsce emisji i uzyskać pomoc lekarską w razie dolegliwości.** Opary mogą powodować podrażnienie układu oddechowego.
- Używać akumulatora wyłącznie w połączeniu z produktem marki Vonroc.** Takie postępowanie chroni akumulator przed niebezpiecznym przeciążeniem.
- Akumulator może zostać uszkodzony przez ostro zakończone przedmioty, jak gwoździe lub wkręta, albo przez uderzenie z zewnątrz.** Może dojść do wewnętrznego zwarcia i akumulator może zacząć się palić, dymić, wybuchnąć lub przegrzać się.

OSTRZEŻENIA DOTYCZĄCE ŁADOWARKI Przeznaczenie

Za pomocą ładowarki ładować wyłącznie akumulatory typu CD801AA i CD803AA. Akumulatory innego typu mogą pękać, powodując obrażenia ciała i uszkodzenia mienia.

- Urządzenie nie jest przeznaczone do użytku przez osoby (w tym dzieci) o ograniczonych zdolnościach fizycznych, czuciowych lub umysłowych albo nie posiadające doświadczenia i wiedzy, chyba że zostały one odpowiednio poinstruowane i są pod nadzorem.**
- Dzieciom nie wolno pozwalać bawić się urządzeniem.**
- Nie ładować zwykłych baterii!**
- Podczas ładowania akumulatory muszą znajdować się w dobrze wentylowanym miejscu!**

2. INFORMACJE O URZĄDZENIU

Przeznaczenie

Odkurzacz jest przeznaczony do odkurzania na mokro i na sucho z pomocą dołączonego filtra. Można go również używać jako ręcznego odsysacza pyłu do elektronarzędzi. Odkurzacz nie jest przeznaczony do wsysania pyłów łatwopalnych, wybuchowych lub niebezpiecznych. To urządzenie

DANE TECHNICZNE





Niniejsza instrukcja dotyczy różnych zestawów/numerów artykułów. Sprawdź odpowiedni numer artykułu w poniższej tabeli, aby uzyskać informacje na temat zawartości zestawu.


Nr modelu	Akumulatory dołączone	Ładowarki dołączone
VC508DC	-	-
S_VC508DC	CD801AA	CD802AA
S2_VC508DC	2 x CD801AA	CD802AA
S3_VC508DC	CD803AA	CD802AA

Informacje o urządzeniu	
Napięcie akumulatora	20 V
Siła ssania	≥10 kPa
Klasa zabezpieczenia IP	IPX4
Hałas	75 dB(A)
Czas pracy (2,0 Ah / 4,0 Ah)	15 min / 30 min
Pojemność zbiornika około	15 l
Użyteczna objętość około	10 l
Filtr – odkurzanie na sucho	Filtr HEPA
Filtr – odkurzanie na mokro	Filtr piankowy
Długość węża	1,68 m
Średnica węża	Ø 40 mm
Ciężar około (bez akumulatora i akcesoriów)	3,5 kg
Zalecany worek na pył	VC814AA
Zalecany filtr HEPA	VC813AA

Akcesoria opcjonalne	
Zestaw akcesoriów do podłóg (rura, dysza do podłóg i kółka)	VC812AA

Nr modelu	CD801AA
Typ akumulatora	Litowo-jonowy
Napięcie	20 V 
Pojemność	2,0 Ah
Zalecana ładowarka	CD802AA
Ciężar	0,3 kg

Nr modelu	CD802AA
Parametry wejściowe zasilania ładowarki	220-240 V, 50 Hz 0,4 A
Parametry wyjściowe zasilania ładowarki	21 V  2,5 A
Czas ładowania akumulatora 2 Ah	60 minut
Czas ładowania akumulatora 4 Ah	120 minut
Zalecane akumulatory	CD801AA, CD803AA
Ciężar	0,36 kg

Nr modelu	CD803AA
Typ akumulatora	Litowo-jonowy
Napięcie	20 V 
Pojemność	4,0 Ah
Zalecana ładowarka	CD802AA
Ciężar	0,65 kg

Używać wyłącznie następujących akumulatorów z platformy akumulatorów VONROC VPOWER 20 V. Użycie innych akumulatorów może spowodować poważne obrażenia ciała lub uszkodzenie narzędzia.

CD801AA 20 V, 2 Ah Litowo-jonowy
CD803AA 20V, 4 Ah Litowo-jonowy

Następującej ładowarki można używać do ładowania tych akumulatorów.

CD802AA Szybka ładowarka

Akumulatory należące do platformy VONROC VPOWER 20 V można stosować we wszystkich narzędziach z platformy VONROC VPOWER 20 V.

OPIS

Liczby w tekście odnoszą się do rysunków na stronach 2-3.

1. Włacznik
2. Rączka do przenoszenia
3. Pokrywa akumulatora
4. Akumulator
5. Przycisk odblokowania akumulatora
6. Zatrzaśki blokujący
7. Część górna
8. Zbiornik
9. Gniazdo wylotowe
10. Gniazdo wlotowe
11. Otwór wlotowy
12. Wąż
13. Filtr piankowy
14. Filtr HEPA
15. Obudowa filtra
16. Pływak
17. Worek na pył
18. Trójkątna dysza
19. Wąska dysza
20. Końcówka do odkurzania samochodu
21. Adapter do elektronarzędzia
22. Przycisk diod LED akumulatora
23. Diody LED akumulatora
24. Ładowarka
25. Diody LED ładowarki

3. MONTAŻ



Przed rozpoczęciem jakichkolwiek prac dotyczących elektronarzędzia, wyjąć akumulator.



Akumulator należy naładować przed pierwszym użyciem.

Wkładanie akumulatora do urządzenia (rys. B1, B2)



Dopilnować, aby zewnętrzna powierzchnia akumulatora była czysta i sucha przed podłączeniem do ładowarki lub narzędzia.

1. Włożyć akumulator (4) w podstawę urządzenia, zgodnie z rys. B1, B2.
2. Wcisnąć akumulator dalej, aż zatrzaśnie się w poprawnym położeniu.

Wymywanie akumulatora z urządzenia (rys. B1, B2)

1. Nacisnąć przycisk odblokowania akumulatora (5).
2. Wyjąć akumulator z urządzenia zgodnie z rys. B1, B2.

Sprawdzanie stanu naładowania akumulatora (rys. C)

- Aby sprawdzić stan naładowania akumulatora, wcisnąć przycisk (22) na akumulatorze na chwilę.
- Akumulator ma 3 diody informujące o poziomie naładowania. Im więcej świeci dioda, tym wyższy poziom naładowania akumulatora.
- Jeśli diody nie świecą, oznacza to, że akumulator jest rozładowany i wymaga niezwłocznego naładowania.

Ładowanie akumulatora ładowarką (rys. C)

1. Wyjąć akumulator (4) z urządzenia.
2. Ustawić akumulator (4) spodem do góry i wsunąć go na ładowarkę (24) zgodnie z rys. C.
3. Wcisnąć akumulator do oporu do gniazda.
4. Podłączyć ładowarkę do gniazdzka i poczekać chwilę. Diody LED na ładowarce (25) zaświecą się, informując o stanie ładowania.

Ładowarka jest wyposażona w 2 diody LED (25), informujące o stanie procesu ładowania:

Stan czerwonej diody LED	Stan zielonej diody LED	Stan ładowarki
Wyłączona	Wyłączona	Brak zasilania
Wyłączona	Włączona	Tryb gotowości: - Nie włożono akumulatora lub - Włożono akumulator, ale ładowanie zostało zakończone
Włączona	Wyłączona	Ładowanie akumulatora w toku

- Całkowite naładowanie akumulatora 2 Ah może trwać do 60 minut.
- Całkowite naładowanie akumulatora 4 Ah może trwać do 120 minut.

Po całkowitym naładowaniu akumulatora wyjąć wtyczkę ładowarki z gniazdzka i wyjąć akumulator z ładowarki.



Kiedy urządzenie nie jest używane przez długi okres, najlepiej przechowywać akumulator w stanie naładowanym.

Montaż filtra (rys. E - G)

1. Zdemontować część górną (7) zbiornika (8) zgodnie z rys. E.
2. Zamontować filtr. Pamiętać, aby zamontować prawidłowy filtr w zależności od zastosowania:
 - Do odkurzania na sucho ostrożnie nasunąć filtr HEPA (14) na obudowę filtra (15), dopilnowując by cała obudowa (15) została zasłonięta zgodnie z rys. F1.
 - Do odkurzania na mokro ostrożnie wsunąć filtr piankowy (13) na obudowę filtra (15), dopilnowując by cała obudowa (15) została zasłonięta zgodnie z rys. F2.
3. Założyć część górną (7) na zbiornik (8) zgodnie z rys. E.

Podłączanie węża (rys. D1, D2).

- Do odkurzania (rys. D1) podłączyć wąż ssący (12) do gniazda wlotowego (10).
- Do zdmuchiwania (rys. D2) podłączyć wąż ssący (12) do gniazda wylotowego (9).

Podłączyć żądaną dyszę.**Trójkątna dysza (18)**

Dysza trójkątna jest przeznaczona do odkurzania na mokro i sucho w zastosowaniach domowych, np. w mieszkaniu, warsztacie lub garażu.

Wąska dysza (19)

Wąska dysza jest przeznaczona do odkurzania na mokro i sucho w zastosowaniach domowych w trudno dostępnych miejscach, np. w szczelinach i zakamarkach.

Końcówka do odkurzania samochodu (20)

Szczotka jest przeznaczona do wysysania ciast stałych z małych obszarów. Na przykład z foteli w samochodzie.

Adapter do elektronarzędzia (21)

Adapter do podłączania węża ssącego do elektronarzędzia.

4. OBSŁUGA

Jeśli dojdzie do przypadkowego przewrócenia odkurzacza, pływak odcinający (16) może zasłonić gniazdo wlotowe silnika i zatrzymać ssanie. Jeśli tak się stanie, po prostu postawić odkurzacz pionowo i wyłączyć go do czasu powrotu pływaka (16) do normalnego położenia.



Nie odkurzać bez filtra!

Włączanie i wyłączenie maszyny

- Wcisnąć włącznik (1) w położenie „ON/I”, aby włączyć odkurzacz.
- Wcisnąć włącznik (1) w położenie „OFF/O”, aby wyłączyć odkurzacz.

Odkurzanie na sucho (rys. D1, G)



Regularnie czyścić filtr HEPA (14), aby utrzymać moc ssania.



Aby unikać zatykania się filtra HEPA (14), zalecamy stosowanie dodatkowego worka na kurz (17).



Zatkany worek na kurz (17) może pęknąć. Z tego powodu należy koniecznie pamiętać o wymianie worka na pył na czas!

1. Wyłączyć (1) urządzenie i wyjąć akumulator.
2. Otworzyć zatrzask blokujący (6) i zdjąć górną część (7).
3. Przed rozpoczęciem odkurzania usunąć wszelkie zanieczyszczenia i resztki ze zbiornika (8).
4. Ostrożnie nasunąć filtr HEPA (14) na obudowę filtra (15), dopilnowując by cała obudowa została zasłonięta zgodnie z rys. F1.
5. Do odkurzania z workiem na kurz (17):
 - Mocno trzymać kartonowy kołnierzyk i nasunąć gumowy element ochronny jak najdalej na otwór wlotowy (11) zgodnie z rys. G.
 - Po umieszczeniu powyższych elementów na miejscu rozłożyć worek (17) i umieścić go wokół wewnętrznych ścianek zbiornika (8).
6. Zamontować górną część (7) na miejsce i zamknąć zatrzask blokujący (6).
7. Włożyć jeden koniec węża (12) w gniazdo wlotowe (10). Całkowicie rozwinąć wąż ssący (12).

Do odkurzania:

8. Włożyć akumulator.
9. Wcisnąć włącznik (1) w położenie „ON/I”, aby włączyć odkurzacz.
10. Urządzenie jest teraz gotowe do odkurzania na sucho.
11. Wcisnąć włącznik (1) w położenie „OFF/O”, aby wyłączyć odkurzacz.

Do pracy z elektronarzędziami:

8. Dopasować adapter do elektronarzędzia (21) do gniazda odsysania pyłu elektronarzędzia. W razie potrzeby użyć noża.
9. Podłączyć adapter do elektronarzędzia (21) do węża (12) i podłączyć go do gniazda odsysania pyłu elektronarzędzia.
11. Włożyć akumulator.
12. Wcisnąć włącznik (1) w położenie „ON/I”, aby włączyć odkurzacz.
13. Urządzenie jest teraz gotowe do odkurzania na sucho.
14. Wcisnąć włącznik (1) w położenie „OFF/O”, aby wyłączyć odkurzacz.

Odkurzanie na mokro (rys. F2)



Odkurzacz jest wyposażony w pływak (16). Moc ssania spada wraz z napełnianiem i zbliżaniem się do maksymalnego poziomu napełnienia. Niezwłocznie wyłączyć odkurzacz (1). Opróżnić zbiornik (8).



Regularnie czyścić pływak (16) i sprawdzać pod kątem uszkodzeń. W przeciwnym razie może nie działać prawidłowo.



Nigdy nie sięgać do wody do wessania. Ryzyko porażenia prądem.



Niezwłocznie wyłączyć (1) urządzenie, jeśli powstaje piana lub wycieka z niego płyn!



Nie używać worka na pył (17)!

1. Wcisnąć włącznik (1) w położenie „OFF/O” i wyjąć akumulator.
2. Otworzyć zatrzask blokujący (6) i zdjąć górną część (7).
3. Przed odkurzaniem na mokro usunąć worek na pył (17), filtr piankowy (14) i usunąć wszystkie zanieczyszczenia i resztki ze zbiornika (8).
4. Ostrożnie nasunąć filtr piankowy (13) na obudowę filtra (15), dopilnowując by cała obudowa została zasłonięta zgodnie z F2.
5. Zamontować górną część (7) na miejsce i zamknąć zatrzask blokujący (6).
6. Włożyć jeden koniec węża (12) w gniazdo wlotowe (10). Całkowicie rozwinąć wąż ssący (12).
7. Włożyć akumulator.
8. Wcisnąć włącznik (1) w położenie „ON/I”, aby

włączyć odkurzacz.

9. Urządzenie jest teraz gotowe do odkurzania na mokro.
10. Wcisnąć włącznik (1) w położenie „OFF/0”, aby wyłączyć odkurzacz.
11. Unieść wąż (12), aby ciecz spłynęła do zbiornika (8).
12. Opróżnić zbiornik (8) niezwłocznie po zakończeniu odkurzania na mokro, ponieważ nie jest on przeznaczony do przechowywania cieczy.

Funkcja dmuchawy (rys. D2)



Zalecamy używanie odkurzacza w tym trybie bez filtra.



Usunąć wszystkie zanieczyszczenia i resztki ze zbiornika (8) przed użyciem funkcji dmuchawy.

Odkurzacz ma funkcję dmuchawy. Można jej używać do zdmuchiwania pyłu, kurzu i resztek w garażach lub na tarasach i podjazdach. Zalecamy korzystanie z wąskiej dyszy (19) w celu uzyskania silniejszego przepływu powietrza.

1. Wcisnąć włącznik (1) w położenie „OFF/0” i wyjąć akumulator.
2. Otworzyć zatrzask blokujący (6) i zdjąć górną część (7).
3. Przed dmuchaniem usunąć worek na pył (17), filtr (13, 14) i usunąć wszystkie zanieczyszczenia i resztki ze zbiornika (8).
4. Zamontować górną część (7) na miejsce i zamknąć zatrzask blokujący (6).
5. Włożyć jeden koniec węża (12) w gniazdo wylotowe (9) z tyłu urządzenia. Całkowicie rozwinąć wąż ssący (12).
6. Włożyć akumulator (4).
7. Wcisnąć włącznik (1) w położenie „ON/I”, aby włączyć odkurzacz.
8. Urządzenie jest teraz gotowe do zdmuchiwania pyłu i zanieczyszczeń.
9. Wcisnąć włącznik (1) w położenie „OFF/0”, aby wyłączyć odkurzacz.

Kończenie pracy

1. Wcisnąć włącznik (1) w położenie „OFF/0”, aby wyłączyć odkurzacz. Wyjąć akumulator.
2. Zdjąć górną część (7) i opróżnić zbiornik (8).
3. Oczyszczyć urządzenie miękką ściereczką i przechowywać je w suchym pomieszczeniu.

5. KONSERWACJA



Przed rozpoczęciem czyszczenia i konserwacji zawsze wyłączać urządzenie i wyjmować z niego akumulator.

Czyścić obudowę urządzenia regularnie miękką ściereczką, najlepiej po każdym użyciu. Dopilnować, aby otwory wentylacyjne były wolne od pyłu, kurzu i zabrudzeń. Usuwać oporne zabrudzenia miękką ściereczką zwilżoną mydlinami. Nie używać żadnych rozpuszczalników, takich jak benzyna, alkohol, amoniak itp. Takie substancje chemiczne spowodują uszkodzenie części z tworzyw sztucznych.

Zbiornik

Opróżnić zbiornik (8) niezwłocznie po zakończeniu odkurzania na mokro, ponieważ nie jest on przeznaczony do przechowywania cieczy.

1. Zdjąć górną część (6) i opróżnić zbiornik (8).
2. Oczyszczyć urządzenie suchą ściereczką.

Filtry



W celu zapewnienia optymalnej wydajności zaleca się regularną wymianę filtrów (13, 14) w zależności od ich zużycia.

Filtr Hepa

1. Ostrożnie wyjąć filtr HEPA (14).
2. Oczyszczyć powierzchnię filtra szczotką.
3. Umyć filtry delikatnie w wodzie o temperaturze do 40 stopni.
4. Pozostawić filtr do wyschnięcia przed jego ponownym montażem i użyciem.
5. Zamontować filtr na miejsce.

Filtr piankowy:

1. Ostrożnie wyjąć filtr piankowy (13).
2. Umyć filtry delikatnie w wodzie o temperaturze do 40 stopni.
3. Pozostawić filtr do wyschnięcia przed jego ponownym montażem i użyciem.
4. Zamontować filtr na miejsce.

Pływak i obudowa filtra

Regularnie czyścić pływak (16) i obudowę filtra (15) miękką ściereczką oraz sprawdzać je pod kątem uszkodzeń. W przeciwnym razie może nie działać prawidłowo.

ŚRODOWISKO



Uszkodzone i/lub niepotrzebne urządzenia elektryczne lub elektroniczne podlegają zbiórce w odpowiednich punktach recyklingu.

Tylko kraje WE

Nie wyrzucać elektronarzędzi wraz z odpadami z gospodarstw domowych. Zgodnie z dyrektywą 2012/19/EU dotyczącą zużytych urządzeń elektrycznych i elektronicznych oraz jej wdrożeniem do prawodawstwa krajowego, elektronarzędzia, które już nie nadają się do użytku, podlegają oddzielnej zbiórce oraz utylizacji w sposób przyjazny dla środowiska.

GWARANCJA

Produkty VONROC są wytwarzane zgodnie z najwyższymi standardami jakości i producent udziela gwarancji na wady materiałowe i wady wykonania na okres wymagany prawem, licząc od dnia zakupu. Jeśli wystąpi usterka produktu w tym okresie spowodowana wadą materiałową i/lub wadą wykonania, proszę bezpośrednio skontaktować się ze sprzedawcą VONROC.

Następujące okoliczności powodują unieważnienie gwarancji:

- Przeprowadzono naprawy lub modyfikacje narzędzia w serwisie innym lub autoryzowany lub podjęto ich próbę,
- Normalne zużycie,
- Narzędzie było używane niezgodnie z przeznaczeniem, źle z nim się obchodzono lub było nieprawidłowo konserwowane,
- Użyto części zamiennych innych niż oryginalne.

Niniejsza gwarancja to wyłączna gwarancja producenta i nie obowiązują żadne inne wyrażone ani dorozumiane gwarancje. Nie obowiązują żadne inne wyrażone ani dorozumiane gwarancje o zakresie przekraczającym niniejszą gwarancję, co obejmuje dorozumiane gwarancje przydatności do sprzedaży i przydatności do określonego celu. W żadnym przypadku firma VONROC nie ponosi odpowiedzialności za straty przypadkowe lub wynikowe. Zadośćuczynienie sprzedawcy jest ograniczone do naprawy lub wymiany niezgodnych urządzeń lub części.

Produkt i instrukcja obsługi podlegają zmianom. Dane techniczne podlegają zmianom bez uprzedzenia.

1. INSTRUCȚIUNI DE SIGURANȚĂ

Citiți avertizările de siguranță, avertizările de siguranță suplimentare și instrucțiunile. Nerespectarea avertizărilor de siguranță poate cauza producerea de electrocutări, incendii și/sau răniri grave. Păstrați avertizările de siguranță și instrucțiunile pentru referințe viitoare.

În manualul de utilizare sau pe produs se utilizează următoarele simboluri:



Citiți manualul de utilizare.



Destinat numai utilizării în interior



Legătură de siguranță în miniatură de tip Time-lag.



Nu aruncați acumulatorul în foc.



Nu aruncați acumulatorul în apă.



Nu eliminați produsul în containere neadecvate.



Colectare separată pentru acumulatorul Li-ion.



Mașină clasa II - Izolație dublă - Nu aveți nevoie de nicio priză de împământare.



Produsul este în conformitate cu standardele de siguranță aplicabile din directivele europene.

NOTE DE SIGURANȚĂ

ACEST APARAT POATE FI UTILIZAT DE COPIII CU VÂRSTA DE PESTE 8 ANI ȘI DE CĂTRE PERSOANE CU CAPACITĂȚI FIZICE, SENZORIALE SAU MENTALE REDUSE SAU DE CĂTRE PERSOANE LIPSITE DE EXPERIENȚĂ ȘI CUNOȘTINȚE DACĂ ACESTEA AU FOST SUPRAVEGHEATE ȘI INSTRUITE CU PRIVIRE LA UTILIZAREA APARATULUI ÎN CONDIȚII DE SIGURANȚĂ ȘI ÎNȚELEGER RISCURILE PE CARE LE IMPLICĂ. COPII NU AU VOIE SĂ SE JOACE CU ECHIPAMENTUL. CURĂȚAREA ȘI OPERAȚIUNILE DE ÎNTREȚINERE NU TREBUIE EFECTUATE DE COPII FĂRĂ SUPRAVEGHERE.

- **Nu aspirați materiale care sunt dăunătoare pentru sănătate, de exemplu, praful de faț sau de**

stejar, praful rezultat în urma zidăriei, azbestul. Aceste materiale sunt considerate cancerigene. **Informați-vă cu privire la reglementările/legile în vigoare în țara dvs. referitoare la manipularea materialelor care sunt periculoase pentru sănătate.**

- **Utilizați aspiratorul doar dacă înțelegeți în întregime și dacă puteți executa fără limitări toate funcțiile sau dacă ați primit instrucțiuni adecvate.** O prezentare temeinică reduce erorile de operare și vătămările.
- **Nu utilizați niciodată aspirarea umedă/uscată fără un filtru. Asigurați-vă întotdeauna că filtrele sunt montate în siguranță.**
- **Aspiratorul poate fi depozitat doar în spații interioare.** Pătrunderea apei de ploaie sau a umezelii în capacul aspiratorului crește riscul de electrocutare.
- Nu aspirați praful fierbinte sau aprins și nici camerele care prezintă pericol de explozie. Praful se poate aprinde sau poate exploda.
- Scoateți acumulatorul din aspirator înainte de a efectua lucrări de întreținere sau curățare, de a face orice reglaje, de a schimba accesoriile sau de a pune aspiratorul deoparte. Această măsură de siguranță previne pornirea accidentală a aspiratorului.
- Asigurați o ventilație bună la locul de muncă.
- Dispuneți repararea aspiratorului numai de către specialiști calificați și numai cu piese de schimb originale. Acest lucru va garanta păstrarea în siguranță a aspiratorului.
- Nu curățați aspiratorul îndreptând în mod direct către acesta un jet de apă. Pătrunderea apei în capacul aspiratorului crește riscul de electrocutare.
- Atunci când aspiratorul nu este utilizat, depozitați-l în siguranță.
- Locul de depozitare trebuie să fie uscat și să poată fi încălzit. Acest lucru previne deteriorarea aspiratorului atunci când este depozitat sau când este utilizat de persoane neexperimentate.
- Aparatul nu este potrivit pentru uz comercial sau industrial.
 - A nu se utiliza pentru aspirarea substanțelor umede sau a lichidelor.
 - A nu se utiliza pentru aspirarea cenușii sau a funinginii.
 - A nu se utiliza pentru aspirarea molozului din construcții.

AVERTISMENTE DE SIGURANȚĂ PENTRU ACUMULATOR

- Nu deschideți acumulatorul.** Pericol de scurtcircuitare.
- Protejați acumulatorul împotriva căldurii, de ex. împotriva expunerii puternice la soare, foc, apă și umiditate.** Pericol de explozie.
- În cazul deteriorării și utilizării necorespunzătoare a acumulatorului, pot fi emiși vapori. Ventilați zona și solicitați asistență medicală în caz de sesizări.** Vaporii pot irita sistemul respirator.
- Utilizați acumulatorul numai împreună cu produsul dvs. Vonroc.** Numai această măsură protejează acumulatorul împotriva supraîncălzirii periculoase.
- Acumulatorul poate fi deteriorat de obiecte ascuțite, cum ar fi cuie sau șurubelnițe sau prin forță aplicată extern.** Poate apărea un scurtcircuit intern și acumulatorul poate arde, exploda sau supraîncălzi.

AVERTISMENTE DE SIGURANȚĂ PENTRU STAȚII DE ÎNCĂRCARE

Domeniul de utilizare

Încărcați doar acumulatorii de tip CD801AA și CD803AA cu încărcătorul. Alte tipuri de acumulatori pot exploda provocând rănire personală și daune.

- Aparatul nu trebuie utilizat de către persoane (inclusiv copii) cu capacități fizice, senzoriale sau mentale reduse, sau de către persoane lipsite de experiență și cunoștințe, cu excepția cazului în care acestea au fost supravegheate și instruite.**
- Nu lăsați copiii nesupravegheați să se joace cu aparatul.**
- Nu reîncărcați bateriile ne-reîncărcabile!**
- În timpul încărcării, acumulatorii trebuie amplasați într-o zonă bine ventilată!**

2. INFORMAȚII CU PRIVIRE LA MAȘINĂ

Domeniul de utilizare

Aspiratorul este adecvat pentru aspirarea umedă și uscată, cu ajutorul filtrului însoțitor. Se poate utiliza și ca extractor de praf portabil pentru echipamente electrice. Aspiratorul nu este destinat aspirării prafului inflamabil, explozibil sau periculos. Aparatul nu este potrivit pentru uz comercial sau industrial.

SPECIFICAȚII TEHNICE




Acest manual a fost realizat pentru diferite numere de seturi/articole. Verificați numărul articolului corespunzător în tabelul de specificații de mai jos pentru a vedea compoziția și conținutul exact al setului.


Nr. model	Acumulatori inclus	Încărcătoare inclus
VC508DC	-	-
S_VC508DC	CD801AA	CD802AA
S2_VC508DC	2 x CD801AA	CD802AA
S3_VC508DC	CD803AA	CD802AA

Informații despre mașină	
Tensiune acumulator	20 V
Forța de aspirație	≥10kPA
Clasă IP	IPX4
Zgomot	75 dB(A)
Durată de funcționare (2,0 Ah / 4,0 Ah)	15 min / 30 min
Capacitate rezervor aprox.	15 l
Volum util aprox.	10 l
Filtru – uscat	Filtru HEPA
Filtru – umed	Filtru spumă
Lungime furtun	1,68 m
Diametru furtun	Ø 40 mm
Greutate aprox. (fără acumulator și accesorii)	3,5 kg
Sac de colectare pentru praf recomandat	VC814AA
Filtru HEPA recomandat	VC813AA

Accesorii opționale	
Set accesorii de podea (tub, duză de podea și roți)	VC812AA

Nr. model	CD801AA
Tip acumulator	Litiu ion
Tensiune	20 V 
Capacitate	2,0 Ah
Încărcător recomandat	CD802AA
Greutate	0,3 kg

Nr. model	CD802AA
Intrare încărcător	220-240V, 50Hz 0,4A
Ieșire încărcător	21V  2,5A
Timp de încărcare acumulator 2Ah	60 minute
Timp de încărcare acumulator 4Ah	120 minute
Acumulatori recomandați	CD801AA, CD803AA
Greutate	0,36 kg

Nr. model	CD803AA
Tip acumulator	Litiu ion
Tensiune	20 V 
Capacitate	4,0 Ah
Încărcător recomandat	CD802AA
Greutate	0,65 kg

Utilizați numai următoarele baterii ale platformei VONROC VPOWER 20 V. Utilizarea altor baterii poate provoca vătămări corporale grave sau defectarea uneltei.

CD801AA 20 V, 2 Ah Litiu-ion
 CD803AA 20 V, 4 Ah Litiu-ion

Următorul încărcător al dispozitivului poate fi utilizat pentru a încărca aceste baterii.

CD802AA Încărcător rapid

Bateriile platformei VONROC VPOWER 20V sunt interschimbabile cu toate uneltele VONROC VPOWER 20V.

DESCRIERE

Numerele din text se referă la diagramele de la paginile 2-3.

1. Comutator de pornire/oprire
2. Mâner de transport
3. Capac pentru acumulator
4. Acumulator
5. Buton deblocare acumulator
6. Clemă de blocare
7. Secțiunea superioară
8. Recipient
9. Port de suflare
10. Port de aspirare
11. Orificiu de admisie
12. Furtun
13. Filtru spumă
14. Filtru HEPA
15. Carcasă de filtrare
16. Flotor
17. Sac colectare praf
18. Duză triunghiulară
19. Duză pentru spații înguste
20. Sculă de aspirare auto
21. Adaptor unelte electrice
22. Buton indicator cu LED pentru acumulator
23. Indicatori acumulator LED
24. Încărcător
25. Indicatori LED încărcător

3. INSTALAREA



Înainte de orice lucrare asupra uneltei, decuplați acumulatorul.



Înainte de prima utilizare, acumulatorul trebuie să fie încărcat.

Introducerea acumulatorului în mașină (Fig. B1, B2)



Asigurați-vă că exteriorul acumulatorului este curat și uscat înainte de a îl conecta la acumulator sau la mașină.

1. Introduceți acumulatorul (4) în suportul mașinii, așa cum este indicat în Fig. B1, B2.
2. Apăsați acumulatorul până când se fixează în poziție.

Scoaterea acumulatorului din aparat (Fig. B1, B2)

1. Apăsați butonul de deblocare a acumulatorului (5).
2. Scoateți acumulatorul din aparat, așa cum este indicat în Fig. B1, B2.

Verificarea nivelului de încărcare a acumulatorului (Fig. C)

- Pentru a verifica nivelul de încărcare a acumulatorului, apăsați scurt butonul (22) de pe acumulator.
- Acumulatorul este prevăzut cu 3 lumini care indică nivelul de încărcare, numărul de lumini aprinse semnifică gradul de încărcare a acumulatorului.
- Atunci când luminile sunt stinse, acest lucru semnifică faptul că acumulatorul este descărcat și trebuie încărcat imediat.

Încărcarea acumulatorului folosind încărcătorul (Fig. C)

- Scoateți acumulatorul (4) din mașină.
- Întoarceți invers acumulatorul (4) și împingeți-l în încărcător (24), așa cum este indicat în Fig. C.
- Apăsați acumulatorul până când este introdus complet în locaș.
- Conectați mufa încărcătorului la o priză electrică și așteptați o perioadă. Indicatorii LED de pe încărcător (25) se vor aprinde și vor indica nivelul de încărcare.

Încărcătorul are 2 indicatori LED (25), care indică nivelul procesului de încărcare:

LED roșu de stare	LED verde de stare	Stare încărcător
Oprit	Oprit	Fără alimentare
Oprit	Pornit	Mod de așteptare: - Nu este niciun acumulator introdus sau, - Acumulator introdus dar încărcarea s-a sfârșit
Pornit	Oprit	Încărcare acumulator în progres

- Încărcarea completă a acumulatorului de 2Ah poate dura până la 60 minute.
- Încărcarea completă a acumulatorului de 4Ah poate dura până la 120 minute.

După încărcarea completă a acumulatorului, scoateți mufa încărcătorului din priză și îndepărtați acumulatorul din încărcător.



Atunci când nu folosiți mașina, este indicat să depozitați acumulatorul în stare încărcată.

Asamblarea filtrului (Fig. E - G)

- Îndepărtați secțiunea superioară (7) a recipientului (8) așa cum se arată în Fig. E.
- Asamblați filtrul. Asigurați-vă că montați filtrul corect, în funcție de aplicație:
 - Pentru aspirarea uscată, glišați cu grijă filtrul HEPA (14) peste carcasa filtrului (15) asigurându-vă că întreaga carcasă (15) este acoperită așa cum se arată în Fig. F1.
 - Pentru curățarea prin aspirare umedă, glišați cu grijă filtrul spumă (13) peste carcasa filtrului (15) asigurându-vă că întreaga carcasă (15) este acoperită așa cum se arată în Fig. F2.
- Așezați secțiunea superioară (7) pe recipient (8) așa cum se arată în Fig. E.

Conectarea furtunului (Fig. D1, D2).

- Pentru aspirare (Fig. D1), conectați furtunul de aspirație (12) la orificiul de aspirație (10).
- Pentru suflare (Fig. D2), conectați furtunul de aspirație (12) la orificiul de suflare (9).

Conectați duza dorită.

Duză triunghiulară (18)

Duza triunghiulară este concepută pentru aspirarea casnică umedă și uscată, de exemplu, în casă, camera de lucru sau garaj.

Duza pentru spații înguste (19)

Duza pentru spații înguste este proiectată pentru aspirarea casnică umedă și uscată, pentru margini și alte zone greu accesibile.

Sculă de aspirare auto (20)

Peria este concepută pentru aspirarea solidelor din zone mici. De exemplu de pe scaune auto.

Adaptor pentru unelte electrice (21)

Adaptor pentru conectarea furtunului de aspirație cu o unealtă electrică.

4. OPERAREA



În cazul în care aspiratorul se răstoarnă accidental, mecanismul flotor de oprire (16) poate acoperi orificiul de aspirație a motorului și poate opri aspirația. Dacă se

Întâmplă acest lucru, pur și simplu puneți aspiratorul în poziție verticală și opriți-l până când flotorul (16) revine la poziția sa normală.



Nu aspirați fără un filtru!

Pornirea/oprirea mașinii

- Apăsați comutatorul de alimentare (1) în poziția „PORNIT/I” pentru a porni aspiratorul.
- Apăsați comutatorul de alimentare (1) în poziția „OPRIT/O” pentru a opri aspiratorul.

Aspirare uscată (Fig. D1, G)



Curățați regulat filtrul HEPA (14) pentru a menține puterea de aspirare.



Pentru a evita ca filtrul HEPA (14) să se înfundă, recomandăm utilizarea suplimentară a unui sac de colectare a prafului (17).



*Un sac de colectare a prafului înfundat (17) poate exploda.
-prin urmare, asigurați-vă că înlocuiți sacul de colectare a prafului în timp util!*

1. Opriți (1) aparatul și scoateți acumulatorul.
2. Deblocați clema de blocare (6) și scoateți secțiunea superioară (7).
3. Înainte de aspirare, îndepărtați toată murdăria și resturile din recipient (8).
4. Glisați cu atenție filtrul HEPA (14) în jos peste carcasa filtrului (15) asigurându-vă că întreaga carcasă este acoperită așa cum se arată în Fig. F1.
5. Pentru aspirarea cu un sac de colectare a prafului (17):
 - Țineți bine gulerul de carton și glisați elementul de protecție din cauciuc cât mai departe posibil pe orificiul de admisie (11) așa cum se arată în Fig. G.
 - Când totul este la locul său, desfășurați sacul (17) și poziționați-l în jurul pereților interiori ai recipientului (8).
6. Atașați din nou secțiunea superioară (7) și blocați clemele de blocare (6).
7. Introduceți un capăt al furtunului (12) în orificiul de aspirare (10). Desfaceți complet furtunul de aspirație (12).

Pentru aspirare:

8. Introduceți acumulatorul.
9. Apăsați comutatorul de alimentare (1) în poziția „PORNIT/I” pentru a porni aspiratorul.
10. Aparatul este acum gata de utilizare pentru aspirare uscată.
11. Apăsați comutatorul de alimentare (1) în poziția „OPRIT/O” pentru a opri aspiratorul.

Pentru lucrul cu echipamente electrice:

8. Adaptați adaptorul unei prize electrice (21) la orificiul de evacuare a prafului de la unealta electrică. Folosiți un cuțit, dacă este necesar.
9. Conectați adaptorul unei prize electrice (21) la furtun (12) și conectați-l la orificiul de extracție a prafului de la unealta electrică.
11. Introduceți acumulatorul.
12. Apăsați comutatorul de alimentare (1) în poziția „PORNIT/I” pentru a porni aspiratorul.
13. Aparatul este acum gata de utilizare pentru aspirare uscată.
14. Apăsați comutatorul de alimentare (1) în poziția „OPRIT/O” pentru a opri aspiratorul.

Aspirarea umedă (Fig. F2)



Aspiratorul este prevăzut cu un flotor (16). Puterea de aspirație scade la atingerea nivelului maxim de umplere. Opriți imediat aspiratorul (1). Goliți rezervorul (8).



Curățați flotorul (16) la intervale regulate și verificați-l pentru deteriorări. În caz contrar, funcționarea sa poate fi afectată.



Nu introduceți niciodată mâna în apa pentru aspirat. Pericol de electrocutare.



Opriți imediat (1) aparatul dacă se formează spumă sau dacă ies lichide!



Nu utilizați un sac de colectare a prafului (17)!

1. Apăsați comutatorul de alimentare (1) în poziția „OPRIT / O” și scoateți acumulatorul.
2. Deblocați clema de blocare (6) și scoateți secțiunea superioară (7).
3. Înainte de aspirarea umedă, scoateți sacul de colectare a prafului (17), filtrul HEPA (14) și îndepărtați toată murdăria și resturile din recipient (8).

4. Glisați cu atenție filtrul din spumă (13) în jos peste carcasa filtrului (15) asigurându-vă că întreaga carcasă este acoperită așa cum se arată în Fig. F2.
5. Atașați din nou secțiunea superioară (7) și blocați clemele de blocare (6).
6. Introduceți un capăt al furtunului (12) în orificiul de aspirare (10). Desfaceți complet furtunul de aspirație (12).
7. Introduceți acumulatorul.
8. Apăsăți comutatorul de alimentare (1) în poziția „PORNIT/I” pentru a porni aspiratorul.
9. Aparatul este acum gata pentru aspirarea umedă.
10. Apăsăți comutatorul de alimentare (1) în poziția „OPRIT/O” pentru a opri aspiratorul.
11. Ridicați furtunul (12) astfel încât lichidele să se scurgă în recipient (8).
12. Goliți recipientul (8) imediat după curățarea prin aspirație, deoarece nu este conceput pentru a depozita lichide.

Funcția de suflare (Fig. D2)



Se recomandă funcționarea fără utilizarea unui filtru.



Îndepărtați toată murdăria și resturile din recipient (8) înainte de a utiliza funcția de suflare.

Aspiratorul dvs. este echipat cu o funcție de suflare. Poate fi folosit pentru a arunca praful și resturile din garaje sau de pe terase și alee. Vă recomandăm utilizarea duzei pentru spații înguste (19) pentru un flux de aer mai puternic.

1. Apăsăți comutatorul de alimentare (1) în poziția „OPRIT / O” și scoateți acumulatorul.
2. Deblocați clema de blocare (6) și scoateți secțiunea superioară (7).
3. Înainte de suflare, scoateți sacul de colectare a prafului (17), filtrul (13, 14) și îndepărtați toată murdăria și resturile din recipient (8).
4. Atașați din nou secțiunea superioară (7) și blocați clemele de blocare (6).
5. Introduceți un capăt al furtunului (12) în orificiul de suflare (9) din partea din spate a aparatului. Desfaceți complet furtunul de aspirație (12).
6. Introduceți acumulatorul (4).
7. Apăsăți comutatorul de alimentare (1) în poziția „PORNIT/I” pentru a porni aspiratorul.

8. Aparatul este acum pregătit pentru suflarea prafului și a resturilor.
9. Apăsăți comutatorul de alimentare (1) în poziția „OPRIT/O” pentru a opri aspiratorul.

Finalizați operațiunea

1. Apăsăți comutatorul de alimentare (1) în poziția „OPRIT/O” pentru a opri aspiratorul. Îndepărtați acumulatorul.
2. Scoateți secțiunea superioară (7) și goliți recipientul (8).
3. Curățați aparatul cu o cârpă moale și depozitați-l într-un spațiu uscat.

5. ÎNTREȚINERE



Înainte de curățare și întreținere, opriți alimentarea electrică a mașinii și scoateți acumulatorul din mașină.

Curățați regulat carcasa cu o cârpă moale, de preferat după fiecare utilizare. Curățați fantele de aerisire de praf și murdărie. Îndepărtați murdăria persistentă cu o cârpă moale înmuiată în clăbuci de săpun. Nu folosiți solvenți precum benzină, alcool, amoniac etc. Astfel de substanțe chimice vor deteriora componentele sintetice.

Recipient

Goliți recipientul (8) imediat după curățarea prin aspirație, deoarece nu este conceput pentru a depozita lichide.

1. Scoateți secțiunea superioară (6) și goliți recipientul (8).
2. Curățați aparatul cu o cârpă moale și umedă.

Filtre



Pentru performanțe optime, se recomandă schimbarea regulată a filtrelor (13, 14) în funcție de nivelul de utilizare.

Filtru Hepa:

1. Scoateți cu atenție filtrul HEPA (14).
2. Curățați suprafața filtrului cu o perie.
3. Spălați delicat filtrele cu apă sub 40 de grade.
4. Lăsați filtrul să se usuce la aer înainte de instalare și reutilizare.
5. Reinstalați filtrul.

Filtru din spumă:

1. Scoateți cu atenție filtrul din spumă (13).
2. Spălați delicat filtrele cu apă sub 40 de grade.
3. Lăsați filtrul să se usuce la aer înainte de instalare și reutilizare.
4. Reinstalați filtrul.

Flotor și carcasa de filtrare

Curățați flotorul (16) și carcasa de filtrare (15) în mod regulat cu o cârpă moale și verificați dacă nu există deteriorări. În caz contrar, funcționarea sa poate fi afectată.

MEDIU

Aparatele electrice sau electronice deteriorate și/sau defecte trebuie colectate în locurile de reciclare corespunzătoare.

Numai pentru țările din CE

Nu aruncați echipamentele acționate electric împreună cu gunoiul menajer. Conform Indicației europene 2012/19/EU pentru echipamente electrice și electronice uzate și a implementării sale la nivel național, echipamentele acționate electric scoase din uz trebuie colectate separat și evacuate într-o manieră ecologică.

GARANȚIE

Produsele VONROC sunt realizate la cele mai înalte standarde de calitate și sunt garantate în privința materialelor și a manoperei pentru întreaga perioadă de utilizare în garanție, începând cu data achiziției. În cazul în care produsul prezintă defecțiuni în perioada de garanție din cauza materialului defect și/sau a manoperei, contactați direct VONROC.

Următoarele circumstanțe sunt excluse de la această garanție:

- Reparațiile sau modificările care realizate sau care s-au încercat a fi efectuate de centre de service neautorizate;
- Uzura în condiții normale de utilizare;
- Unealta care a fost abuzată, utilizată într-un mod neglijent sau întreținută în mod inadecvat;
- Folosirea unor piese de schimb neoriginale.

Aceasta acoperă garanția companiei, explicită sau implicită. Nu există alte garanții explicite sau implicite care să se extindă dincolo de cele indicate aici,

incluzând garanțiile, vandabilitatea sau adecvarea pentru un anumit scop. În nicio situație, VONROC nu este responsabil pentru daunele incidentale sau consecvențiale. Reparațiile efectuate de reprezentant trebuie să fie limitate la reparațiile sau la înlocuirea unităților sau a pieselor neconforme.

Produsul și manualul de utilizare pot suferi modificări. Specificațiile se pot modifica fără notificare prealabilă.

1. INSTRUÇÕES DE SEGURANÇA

Leia os avisos de segurança fornecidos, os avisos de segurança adicionais e as instruções. O não cumprimento dos avisos de segurança e das instruções pode resultar em choque eléctrico, incêndio e/ou ferimentos graves. Guarde os avisos de segurança e as instruções para referência futura.

Os seguintes símbolos são utilizados no manual do utilizador ou no produto:



Leia o manual do utilizador.



Apenas para utilização no interior



Fusível miniatura com desfasamento.



Não deite a bateria no fogo.



Não coloque a bateria dentro de água.



Não elimine o produto em recipientes não adequados.



Recolha selectiva para bateria de iões de lítio.



Máquina de classe II - Isolamento duplo - Não é necessário uma ficha com ligação à terra.



O produto está em conformidade com as normas de segurança aplicáveis nas directivas europeias.

AVISOS DE SEGURANÇA

ESTE EQUIPAMENTO PODE SER UTILIZADO POR CRIANÇAS A PARTIR DOS 8 ANOS E POR PESSOAS COM CAPACIDADES FÍSICAS, SENSORIAIS OU MENTAIS REDUZIDAS OU COM FALTA DE EXPERIÊNCIA E CONHECIMENTOS QUE TENHAM RECEBIDO INSTRUÇÕES OU SUPERVISÃO SOBRE A UTILIZAÇÃO SEGURA DO EQUIPAMENTO E COMPREENDAM OS RISCOS ENVOLVIDOS. AS CRIANÇAS DEVEM SER VIGIADAS PARA QUE NÃO BRINQUEM COM O EQUIPAMENTO. A LIMPEZA E A MANUTENÇÃO POR PARTE DO UTILIZADOR NÃO DEVEM SER EFECTUADAS POR CRIANÇAS SEM SUPERVISÃO.

- **Não aspire materiais que sejam perigosos para a saúde, por exemplo, serradura de faia ou de carvalho, pó de alvenaria e amianto.** Estes materiais são considerados cancerígenos. **Informe-se sobre os regulamentos/leis válidas no seu país relativos ao manuseamento de materiais perigosos para a saúde.**
- **Só deve utilizar o aspirador depois de compreender e conseguir efectuar todas as funções sem dificuldades ou tiver recebido instruções adequadas.** Uma leitura atenta reduz a probabilidade de erros de funcionamento e ferimentos.
- **Nunca utilize o aspirador de pó/água sem um filtro. Certifique-se sempre de que os filtros estão encaixados com firmeza.**
- **O aspirador só pode ser armazenado em interiores.** A penetração de chuva ou humidade na tampa do aspirador aumenta o risco de choque eléctrico.
- Não aspire poeiras quentes ou em chamas nem em salas onde haja risco de explosão. As poeiras podem arder ou explodir.
- Retire a bateria do aspirador antes de efectuar a manutenção, limpeza, efectuar quaisquer ajustes, substituir acessórios ou armazenar o aspirador. Esta medida de segurança impede o arranque acidental do aspirador.
- Forneça ventilação adequada no local de trabalho.
- O aspirador deve ser reparado apenas por um técnico especializado e deve utilizar apenas peças sobresselentes originais. Desta forma, é garantida a segurança do aspirador.
- Quando limpar o aspirador, não aponte o jacto de água directamente para o equipamento. A penetração de água na tampa do aspirador aumenta o risco de choque eléctrico.
- Quando não utilizar o aspirador, armazene-o num local seguro.
- O local de armazenamento deve ser seco e trancado com chave. Isto impede que o aspirador fique danificado quando for armazenado ou se for utilizado por pessoas inexperientes.
- O dispositivo não é adequado para uso comercial ou industrial.
 - Não utilize o equipamento para aspirar substâncias húmidas ou líquidas.
 - Não utilize o equipamento para aspirar cinza ou fuligem.
 - Não utilize o equipamento para aspirar entulho.

AVISOS DE SEGURANÇA SOBRE A BATERIA

- a) **Não abra a bateria.** Perigo de curto-circuito.
- b) **Proteja a bateria do calor, por exemplo, contra exposição contínua a luz solar, fogo, água e humidade.** Perigo de explosão.
- c) **Em caso de danos e uso inadequado da bateria, podem ser emitidos vapores. Ventile a área e contacte um médico se houver queixas.** Os vapores podem irritar o sistema respiratório.
- d) **Utilize a bateria em conjunto com o seu produto industrial da Vonroc.** Esta é a única protecção contra sobrecarga perigosa.
- e) **A bateria pode ser perfurada por objectos danificados como pregos ou chaves de parafusos ou se for aplicada força externa.** Pode ocorrer um curto-circuito interno e a bateria pode queimar, causar fumo, explodir ou sobreaquecer.

AVISOS DE SEGURANÇA SOBRE O CARREGADOR Utilização pretendida

Deve utilizar apenas as baterias recarregáveis CD801AA e CD803AA no carregador. Outros tipos de baterias podem rebentar, causando ferimentos e danos.

- a) **O equipamento não deve ser utilizado por pessoas (incluindo crianças) com capacidades físicas, sensoriais ou mentais reduzidas ou com falta de experiência e conhecimentos, a menos que tenham supervisão ou instrução.**
- b) **As crianças devem ser vigiadas, para que não brinquem com o equipamento.**
- c) **Não recarregue baterias não recarregáveis!**
- d) **Durante o carregamento, as baterias devem ser colocadas em locais bem ventilados!**

2. INFORMAÇÕES SOBRE A MÁQUINA

Utilização pretendida

O aspirador é adequado para aspirar pó e água, com um filtro auxiliar. Pode ser utilizado também como extractor de poeiras portátil para ferramentas eléctricas. O aspirador não é concebido para aspirar poeiras inflamáveis, explosivas ou perigosas. O dispositivo não é adequado para uso comercial ou industrial.

ESPECIFICAÇÕES TÉCNICAS



Este manual foi elaborado para conjuntos/ números de artigos diferentes. Verifique o número do artigo correspondente na tabela de especificações indicada abaixo para obter a composição e conteúdos correctos do seu conjunto.

Modelo n.º	Baterias incluídas	Carregadores incluídos
VC508DC	-	-
S_VC508DC	CD801AA	CD802AA
S2_VC508DC	2 CD801AA	CD802AA
S3_VC508DC	CD803AA	CD802AA

Informações sobre a máquina	
Tensão da bateria	20 V
Força de aspiração	≥10 k PA
Classe IP	IPX4
Ruído	75 dB (A)
Tempo de funcionamento (2,0 Ah/4,0 Ah)	15 min/30 min
Capacidade aprox. do recipiente	15 l
Volume útil aprox.	10 l
Filtro, seco	Filtro HEPA
Filtro, água	Filtro de espuma
Comprimento do tubo	1,68 m
Diâmetro do tubo	Ø 40 mm
Peso aprox. (sem bateria e acessórios)	3,5 kg
Saco de recolha de poeira recomendado	VC814AA
Filtro HEPA recomendado	VC813AA

Acessório opcional	
Conjunto de acessórios de piso (tubo, bocal para o chão e rodas)	VC812AA

Modelo n.º	CD801AA
Tipo de bateria	Iões de lítio
Tensão	20 V
Capacidade	2,0 Ah
Carregador recomendado	CD802AA
Peso	0,3 kg

Modelo n.º	CD802AA
Entrada do carregador	220 - 240 V, 50 Hz, 0,4 A
Saída do carregador	21 V 2,5 A
Tempo de carregamento de uma bateria de 2 Ah	60 minutos
Tempo de carregamento de uma bateria de 4 Ah	120 minutos
Baterias recomendadas	CD801AA, CD803AA
Peso	0,36 kg

Modelo n.º	CD803AA
Tipo de bateria	Iões de lítio
Tensão	20 V
Capacidade	4,0 Ah
Carregador recomendado	CD802AA
Peso	0,65 kg

Utilize apenas as seguintes baterias da plataforma de baterias VONROC VPOWER, 20 V. A utilização de quaisquer outras baterias podem causar ferimentos graves ou danos na ferramenta.

CD801AA Iões de lítio, 20 V, 2 Ah
 CD803AA Iões de lítio, 20 V, 4 Ah

O seguinte carregador pode ser utilizado para carregar estas baterias.

CD802AA Carregador rápido

As baterias da plataforma de baterias VPOWER de 20 V da VONROC podem ser utilizadas com todas as ferramentas da plataforma de baterias VPOWER de 20 V da VONROC.

DESCRIÇÃO

Os números indicados no texto dizem respeito aos diagramas nas páginas 2 e 3.

1. Interruptor para ligar/desligar
2. Pega de transporte
3. Tampa da bateria
4. Bateria
5. Patilha de desbloqueio da bateria
6. Grampo de fixação
7. Secção superior
8. Recipiente
9. Entrada de sopro
10. Entrada do aspirador
11. Orifício de entrada
12. Tubo
13. Filtro de espuma
14. Filtro HEPA
15. Caixa do filtro
16. Bóia
17. Saco de recolha de poeira
18. Bocal triangular
19. Bocal com ranhura
20. Aspirador de automóvel
21. Adaptador para ferramentas eléctricas
22. Botão dos indicadores LED da bateria
23. Indicadores LED da bateria
24. Carregador
25. Indicadores LED do carregador

3. MONTAGEM



Retire a bateria antes de efectuar qualquer tarefa na ferramenta eléctrica.



A bateria deve ser carregada antes de utilizá-la pela primeira vez.

Inserir a bateria na máquina (Fig. B1, B2)



A parte exterior da bateria deve estar limpa e seca antes de ligá-la ao carregador ou máquina.

1. Insira a bateria (4) na base da máquina, como indicado nas Fig. B1, B2.
2. Empurre a bateria ainda mais até encaixar no respectivo local.

Retirar a bateria da máquina (Fig. B1, B2)

1. Prima o botão de desbloqueio da bateria (5).
2. Retire a bateria da máquina, como indicado nas Fig. B1, B2.

Verificar o estado de carregamento da bateria (Fig. C)

- Para verificar o estado de carregamento da bateria, prima ligeiramente o botão (22)

na bateria.

- A bateria tem 3 indicadores luminosos que indicam o nível de carga. Quanto maior for o número de luzes que se acenderem, maior é a carga restante na bateria.
- Se as luzes não se acenderem, isso significa que a bateria não tem carga e que deve carregá-la de imediato.

Carregar a máquina com o carregador (Fig. C)

1. Retire a bateria (4) da máquina.
2. Vire a bateria (4) ao contrário e encaixe-a no carregador (24) como indicado na Fig. C.
3. Empurre a bateria até ficar totalmente encaixada na ranhura.
4. Ligue a ficha do carregador numa tomada eléctrica e aguarde alguns instantes. Os indicadores LED no carregador (25) acendem-se e mostram o estado de carregador.

O carregador tem 2 indicadores LED (25), que indicam o estado do processo de carregamento:

Estado do LED vermelho	Estado do LED verde	Estado do carregador
Desligado	Desligado	Sem energia
Desligado	Ligado	Modo de espera: - A bateria não foi inserida ou - a bateria foi inserida, mas o carregamento foi concluído
Ligado	Desligado	Carregamento da bateria em curso

- O carregamento total da bateria de 2 Ah pode demorar até cerca de 60 minutos.
- O carregamento total da bateria de 4 Ah pode demorar até cerca de 120 minutos.

Quando a bateria estiver totalmente carregada, retire a ficha do carregador da tomada e retire a bateria do carregador.



Se não utilizar a máquina durante um período de tempo mais prolongado, é aconselhável armazenar a bateria no estado carregado.

Montagem do filtro (Fig. E - G)

1. Retire a secção superior (7) no recipiente (8), como indicado na Fig. E.
2. Monte o filtro. Deve montar o filtro correcto, consoante a aplicação:
 - Para aspiração a seco, encaixe com cuidado o filtro HEPA (14) na caixa do filtro (15), certificando-se de que toda a caixa (15) fica tapada, como indicado na Fig. F1.
 - Para aspiração a húmido, encaixe com cuidado o filtro de espuma (13) na caixa do filtro (15), certificando-se de que toda a caixa (15) fica tapada, como indicado na Fig. F2.
3. Coloque a secção superior (7) no recipiente (8), como indicado na Fig. E.

Ligar o tubo (Fig. D1, D2).

- Para aspirar (Fig. D1), ligue o tubo de aspiração (12) na entrada de aspiração (10).
- Para soprar (Fig. D2), ligue o tubo de aspiração (12) na entrada de sopro (9).

Ligue o bocal pretendido.

Bocal triangular (18)

O bocal triangular é concebido para aspiração doméstica a seco e a húmido, por exemplo, em casa, escritório ou garagem.

Bocal com ranhura (19)

O bocal com ranhura é concebido para aspiração doméstica a seco e a húmido, cantos e outros locais de difícil acesso.

Aspirador de automóvel (20)

A escova é concebida para aspirar objectos sólidos de áreas pequenas. Por exemplo, assentos de automóvel.

Adaptador para ferramentas eléctricas (21)

Adaptador para ligar o tubo de aspiração a uma ferramenta eléctrica.

4. FUNCIONAMENTO



Se o aspirador cair acidentalmente, o mecanismo da bóia de bloqueio (16) pode tapar a entrada de aspiração do motor e parar a sucção. Se isto ocorrer, coloque o aspirador na vertical e desligue-o até a bóia (16) voltar para a posição normal.



Não aspire sem o filtro!

Ligar/desligar a máquina

- Coloque o interruptor de alimentação (1) na posição "ON/I" para ligar o aspirador.
- Coloque o interruptor de alimentação (1) na posição "OFF/O" para desligar o aspirador.

Aspiração a seco (Fig. D1, G)



Limpe o filtro HEPA (14) com frequência para manter a potência de aspiração.



Para evitar que o filtro HEPA (14) fique obstruído, recomendamos que utilize um saco de recolha de poeira (17) adicional.



*Se estiver obstruído, o saco de recolha de poeira (17) pode rebentar.
- Por conseguinte, deve substituí-lo assim que possível!*

1. Desligue (1) a máquina e retire a bateria.
2. Desencaixe o grampo de fixação (6) e retire a secção superior (7).
3. Antes de aspirar, retire toda a sujidade e resíduos do recipiente (8).
4. Encaixe com cuidado o filtro HEPA (14) na caixa do filtro (15), certificando-se de que toda a caixa fica tapada, como indicado na Fig. F1.
5. Para aspirar com o saco de recolha de poeira (17):
 - Segure na fita de cartão com firmeza e insira o elemento de protecção de borracha o máximo possível no orifício de entrada (11), como indicado na Fig. G.
 - Quando tudo estiver no respectivo local, abra o saco (17) e posicione-o à volta das paredes internas do recipiente (8).
6. Volte a montar a parte superior (7) e bloqueie o grampo de fixação (6).
7. Insira uma extremidade no tubo (12) na entrada do aspirador (10). Desenrole o tubo de aspiração (12) por completo.

Para aspirar:

8. Insira a bateria.
9. Coloque o interruptor de alimentação (1) na posição "ON/I" para ligar o aspirador.
10. A máquina está pronta para ser utilizada para aspiração a seco.

11. Coloque o interruptor de alimentação (1) na posição "OFF/O" para desligar o aspirador.

Trabalhar com ferramentas eléctricas:

8. Encaixe o adaptador para ferramentas eléctricas (21) na saída de extracção de poeiras da ferramenta eléctrica. Se necessário, utilize uma faca.
9. Ligue o adaptador para ferramentas eléctricas (21) ao tubo (12) e ligue-o à saída de extracção de poeira da ferramenta eléctrica.
11. Insira a bateria.
12. Coloque o interruptor de alimentação (1) na posição "ON/I" para ligar o aspirador.
13. A máquina está pronta para ser utilizada para aspiração a seco.
14. Coloque o interruptor de alimentação (1) na posição "OFF/O" para desligar o aspirador.

Aspiração a húmido (Fig. F2)



O aspirador está equipado com uma bóia (16). A potência de aspiração diminui quando é atingido o nível máximo de enchimento. Desligue o aspirador (1) de imediato. Esvazie o recipiente (8).



Limpe a bóia (16) com frequência e verifique se apresenta danos. Caso contrário, o funcionamento pode ser afectado.



Nunca aspire água. Perigo de choque eléctrico.



Desligue a máquina de imediato (1) se surgir espuma ou fuga de líquidos!



Não utilize o saco de recolha de poeira (17)!

1. Coloque o interruptor de alimentação (1) na posição "OFF/O" e retire a bateria.
2. Desencaixe o grampo de fixação (6) e retire a secção superior (7).
3. Antes de aspirar a húmido, retire o saco de recolha de poeira (17), o filtro HEPA (14) e retire toda a sujidade e resíduos do recipiente (8).
4. Encaixe com cuidado o filtro de espuma (13) na caixa do filtro (15), certificando-se de que toda a caixa fica tapada, como indicado na Fig. F2.
5. Volte a montar a parte superior (7) e bloqueie o grampo de fixação (6).

6. Insira uma extremidade no tubo (12) na entrada do aspirador (10). Desenrole o tubo de aspiração (12) por completo.
7. Insira a bateria.
8. Coloque o interruptor de alimentação (1) na posição "ON/I" para ligar o aspirador.
9. A máquina está pronta para ser utilizada para aspiração a húmido.
10. Coloque o interruptor de alimentação (1) na posição "OFF/O" para desligar o aspirador.
11. Levante o tubo (12) para que o líquido seja drenado para o recipiente (8).
12. Esvazie o recipiente (8) de imediato após a aspiração, porque não foi concebido para armazenar líquidos.

Função de sopro (Fig. D2)



É recomendável efectuar esta operação sem um filtro.



Retire toda a sujidade e resíduos do recipiente (8) antes de utilizar a função de sopro.

O aspirador está equipado com uma função de sopro. Pode ser utilizado para remover pó e resíduos de garagens, pátios e entradas. Recomendamos a utilização de um bocal com ranhura (19) para um fluxo de ar mais intenso.

1. Coloque o interruptor de alimentação (1) na posição "OFF/O" e retire a bateria.
2. Desencaixe o grampo de fixação (6) e retire a secção superior (7).
3. Antes de soprar, retire o saco de recolha de poeira (17), o filtro (13, 14) e retire toda a sujidade e resíduos do recipiente (8).
4. Volte a montar a parte superior (7) e bloqueie o grampo de fixação (6).
5. Insira uma extremidade no tubo (12) na entrada de sopro (9) na parte de trás da máquina. Desenrole o tubo de aspiração (12) por completo.
6. Insira a bateria (4).
7. Coloque o interruptor de alimentação (1) na posição "ON/I" para ligar o aspirador.
8. A máquina está pronta para soprar pó e resíduos.
9. Coloque o interruptor de alimentação (1) na posição "OFF/O" para desligar o aspirador.

Concluir a operação

1. Coloque o interruptor de alimentação (1) na posição "OFF/O" para desligar o aspirador. Retire a bateria.
2. Retire a parte superior (7) e esvazie o recipiente (8).
3. Limpe a máquina com um pano macio e armazene o aspirador numa sala seca.

5. MANUTENÇÃO



Antes de efectuar a limpeza e a manutenção, desligue sempre a máquina e retire a bateria da máquina.

Limpe a caixa da máquina com frequência com um pano macio, de preferência após cada utilização. Certifique-se de que as aberturas de ventilação não têm pó ou sujidade. Retire a sujidade muito persistente com um pano macio humedecido com água de sabão. Não utilize solventes, como gasolina, álcool, amoníaco, etc. Este tipo de produtos químicos danificam os componentes sintéticos.

Recipiente

Esvazie o recipiente (8) de imediato após a aspiração, porque não foi concebido para armazenar líquidos.

1. Retire a parte superior (6) e esvazie o recipiente (8).
2. Limpe a máquina com um pano macio.

Filtros



Para obter o melhor desempenho, é recomendável substituir os filtros (13, 14) com frequência, dependendo do nível de utilização.

Filtro Hepa:

1. Retire o filtro HEPA (14) com cuidado.
2. Limpe a superfície do filtro com uma escova.
3. Lave os filtros com cuidado com água a uma temperatura inferior a 40 graus.
4. Aguarde até o filtro secar antes de instalá-lo e voltar a utilizá-lo.
5. Volte a instalar o filtro.

Filtro de espuma:

1. Retire o filtro de espuma (13) com cuidado.
2. Lave os filtros com cuidado com água a uma temperatura inferior a 40 graus.
3. Aguarde até o filtro secar antes de instalá-lo e voltar a utilizá-lo.
4. Volte a instalar o filtro.

Bóia e caixa do filtro

Limpe a bóia (16) e a caixa do filtro (15) frequentemente com um pano macio e verifique se apresenta danos. Caso contrário, o funcionamento pode ser afectado.

AMBIENTE

Os equipamentos eléctricos ou electrónicos defeituosos e/ou eliminados devem ser recolhidos em locais de reciclagem adequados.

Apenas para os países da CE

Não elimine as ferramentas eléctricas em conjunto com os resíduos domésticos. De acordo com a directiva europeia 2012/19/EU sobre resíduos de equipamentos eléctricos e electrónicos e a respectiva implementação na legislação nacional, as ferramentas eléctricas que já não sejam utilizadas devem ser recolhidas em separado e eliminadas de maneira ecológica.

GARANTIA

Os produtos da VONROC são desenvolvidos de acordo com os padrões de qualidade mais elevados e não apresentam quaisquer defeitos em termos de materiais e mão-de-obra em relação ao período estipulado por lei, cujo início é a partir da data de compra original. Se o produto apresentar qualquer falha durante este período devido a qualquer defeito no material e/ou de mão-de-obra, contacte a VONROC directamente.

As seguintes circunstâncias estão excluídas desta garantia:

- Se forem efectuadas ou tentadas quaisquer reparações e/ou alterações na máquina por centros de assistência não autorizados;
- Desgaste normal;
- Se a ferramenta foi utilizada de maneira abusiva, indevida ou a manutenção for efectuada de maneira incorrecta;

- Se forem utilizadas peças sobresselentes não originais.

Isto constitui a única garantia feita pela empresa, de maneira expressa ou implícita. Não existem quaisquer outras garantias expressas ou implícitas que se prolonguem, incluindo as garantias implícitas de comercialização e adequação para fins específicos. A VONROC não será, em nenhuma circunstância, responsável por danos incidentais ou indirectos. Os fornecedores devem estar limitados a reparar ou substituir as unidades ou peças que não estejam em conformidade.

O equipamento e o manual do utilizador estão sujeitos a alterações sem aviso prévio. As especificações podem ser alteradas sem aviso prévio.

1. BIZTONSÁGI UTASÍTÁSOK

Olvassa el az összes mellékelt biztonsági figyelmeztetést. A figyelmeztetések és utasítások be nem tartása áramütéshez, tűz keletkezéséhez vagy akár súlyos személyi sérüléshez vezethet. Őrizze meg a biztonsági figyelmeztetéseket és utasításokat későbbre is.

A használati útmutatóban és a terméken a következő jelölésekkel találkozhat:



Olvassa el a használati útmutatót.



Csak beltéri használatra.



Késleltetett mini biztosítóbetéttel.



Az akkumulátort tűzbe dobni tilos.



Az akkumulátort vízbe dobni tilos.



A terméket hulladékként ne tegye arra nem alkalmas konténerbe.



Li-ion akkumulátor szelektív gyűjtése.



II érintésvédelmi osztályú gép - Kettős szigetelés: földvezeték nélküli csatlakozó aljzatról is használható.



A termék megfelel az európai irányelvek releváns biztonsági követelményeinek.

BIZTONSÁGI TUDNIVALÓK

A KÉSZÜLÉKET 8 ÉVES VAGY ANNÁL IDŐSEBB GYERMEKEK, VALAMINT CSÖKKENT FIZIKAI, ÉRZÉKSZERVI VAGY MENTÁLIS KÉPESSÉGEKKEL RENDELKEZŐ SZEMÉLYEK, VAGY MEGFELELŐ TAPASZTALATTAL ÉS TUDÁSSAL NEM RENDELKEZŐ SZEMÉLYEK CSAK FELÜGYELETET MELLETT HASZNÁLHATJÁK, ILL. HA MEGFELELŐ UTASÍTÁSOKAT KAPTAK A KÉSZÜLÉK BIZTONSÁGOS HASZNÁLATÁHOZ ÉS MEGÉRTETTÉK A KAPCSOLÓDÓ VESZÉLYEKET. A KÉSZÜLÉK NEM GYERMEKEK KEZÉBE VALÓ JÁTÉKSZER. A TISZTÍTÁST ÉS KARBANTARTÁST GYERMEK FELÜGYELET NÉLKÜL NEM VÉGEZHETI.

- **Ne porszívózzon fel egészségre ártalmas anyagokat, pl. bűkk- vagy tölgyfa port, falazás során keletkező port, azbeszt.** Ezeket az anya-

gokat rákkeltőnek tekintik. **Tájékozódjon az Ön országában az egészségre veszélyes anyagok kezelésére vonatkozó érvényes szabályozásokról/törvényekről.**

- **Csak akkor használja a porszívót, ha minden funkcióját teljesen megértette és korlátlanul képes végrehajtani, vagy ha megfelelő utasításokat kapott.** Az alapos bevezetés csökkenti a működési hibákat és a sérüléseket.
- **Soha ne használja szűrő nélkül a nedves/száraz porszívót. Mindig ellenőrizze, hogy a szűrők biztonságosan rögzültek-e.**
- **A porszívót csak beltéren szabad tárolni.** Ha esővíz vagy nedvesség jut a porszívó fedelébe, az növeli az áramütés veszélyét.
- Ne szívjon fel forró vagy égő port, valamint ne porszívózzon robbanásveszélyes helyiségekben. A por meggyulladhat vagy felrobbanhat.
- Vegye ki az akkumulátort a porszívóból, mielőtt karbantartást vagy tisztítást, bármilyen beállítását végez, tartozékot cserél vagy elteszi a porszívót. Ez a biztonsági intézkedés megakadályozza a porszívó véletlen beindítását.
- Gondoskodjon a jó munkahelyi szellőzésről.
- A porszívót csak szakképzett szerelővel és csak eredeti cserealkatrészekkel javíttassa. Ez biztosítja, hogy a porszívó továbbra is biztonságos marad.
- Ne tisztítsa a porszívót közvetlenül rá irányuló vízsugárral. Ha víz jut a porszívóba, az növeli az áramütés veszélyét.
- Ha a porszívót nem használja, tárolja biztonságosan.
- A tárolóhelynek száraznak és zárhatónak kell lennie. Ez megakadályozza, hogy a porszívó megsérüljön, amikor azt tárolják vagy tapasztalatlan személyek használják.
- A készülék nem alkalmas kereskedelmi vagy ipari használatra.
 - Ne használja nedves anyagok vagy folyadékok felszívására.
 - Ne használja hamu vagy korom felszívására.
 - Ne használja építési törmelék felszívására.

BIZTONSÁGI FIGYELMEZTETÉSEK AZ AKKUMULÁTORRA VONATKOZÓAN

- Ne nyissa fel az akkumulátort.** Az veszélyes rövidzárlatot okozhat.
- Hőbehatástól védje az akkumulátort, pl. ne tegye ki folyamatos erős napsugárzásnak, tűztől, víztől és más nedvességtől is védje.** Robbanásveszély.

- c) Ha az akkumulátor sérült, vagy rendellenesen használják, gőzök áramolhatnak belőle. Szellőztesse át a munkaterületet, és ha egészségi panaszai vannak, kérjen orvosi segítséget. A gőzök irritálhatják a légutakat.
- d) Az akkumulátort csak a Vonroc termékéhez használja. Ezzel az intézkedéssel veszélyes túlterheléstől védi az akkumulátorát.
- e) Az akkumulátor megsérülhet, ha a külsejét egyes tárgyakkal (pl. szeggel, csavarhúzóval) vagy erőszakosan manipulálják. Belső rövidzárlat következhet be, amitől az akkumulátor leégphet, füstölhet, robbanhat vagy túlmelegedhet.

BIZTONSÁGI FIGYELMEZTETÉSEK A TÖLTŐRE VONATKOZÓAN

Rendeltetésszerű használat

A töltővel kizárólag CD801AA és CD803AA típusú, újratölthető akkumulátorokat töltsön fel. Másfajta akkumulátorok használata személyi sérülést és károkat okozhat.

- a) A villamos készüléket csökkent fizikai, érzékszervi vagy szellemi képességű személyek (gyermekeket is ideértve) vagy tapasztalat, ismeret híján csak felügyelet vagy útmutatás mellett használhatják.
- b) Felügyelje a gyermekeket, nehogy játszassanak a készülékkel.
- c) Nem újratölthető akkumulátorok újratöltésével próbálkozni tilos!
- d) Az akkumulátorok töltését jól szellőző helyen kell végezni!

2. A GÉP ADATAI

Rendeltetésszerű használat

A porszívó alkalmas nedves és száraz porszívózásra a mellékelt szűrő segítségével. Kézi porszívóként elektromos szerszámokhoz is használható. A porszívó nem alkalmas gyúlékony, robbanásveszélyes vagy veszélyes porok felszívására. A készülék nem alkalmas kereskedelmi vagy ipari használatra.

MŰSZAKI ADATOK



Ez az útmutató különböző kiegészítetekhez / cikkszámokhoz készült. A készlet megfelelő összetételéhez és tartalmához ellenőrizze a műszaki adatokat tartalmazó lenti táblázat vonatkozó cikkszámát.

Modellazonosító	Akkumulátorok a csomagban	Töltők a csomagban
VC508DC	-	-
S_VC508DC	CD801AA	CD802AA
S2_VC508DC	2 x CD801AA	CD802AA
S3_VC508DC	CD803AA	CD802AA


A gép adatai


Akkumulátor feszültség	20 V
Szívóerő	≥ 10 kPA
IP-osztály	IPX4
Zajsztint	75 dB(A)
Üzemidő (2,0 Ah / 4,0 Ah)	15 perc / 30 perc
Tartálykapacitás kb.	15 l
Hasznos térfogat kb.	10 l
Szűrő – száraz	HEPA-szűrő
Szűrő – nedves	Habszűrő
Tömlő hossza	1,68 m
Tömlő átmérője	Ø 40 mm
Súly kb. (akkumulátor és tartozékok nélkül)	3,5 kg
Ajánlott porgyűjtő zsák	VC814AA
Ajánlott HEPA-szűrő	VC813AA

Opcionális tartozék

Padló tartozékkészlet (cső, padlószívófej és kerekek)	VC812AA
---	---------

Modellazonosító	CD801AA
Akkumulátor típusa	Lítium-ion
Feszültség	20 V
Kapacitás	2,0 Ah
Ajánlott töltő	CD802AA
Súly	0,3 kg

Modellazonosító	CD802AA
A töltő bemenete	220–240 V, 50 Hz 0,4 A
A töltő kimenete	21 V  2,5 A
2 Ah-s akkumulátor töltési ideje	60 perc
4 Ah-s akkumulátor töltési ideje	120 perc
Ajánlott akkumulátorok	CD801AA, CD803AA
Súly	0,36 kg

Modellazonosító	CD803AA
Akkumulátor típusa	Lítium-ion
Feszültség	20 V 
Kapacitás	4,0 Ah
Ajánlott töltő	CD802AA
Súly	0,65 kg

VONROC VPOWER 20 V akkumulátor-platformból csak a következő akkumulátorokat használja. Más akkumulátor használata súlyos sérüléshez és a szerszám károsodásához vezethet.

CD801AA 20 V, 2 Ah-s lítium-ion
CD803AA 20 V, 4 Ah-s lítium-ion

Ezek az akkumulátorok az alábbi töltővel tölthetők.
CD802AA Gyorstöltő

A VONROC VPOWER 20 V platform akkumulátorai csereszabatosak minden VONROC VPOWER 20V akkumulátorplatform-szerszámmal.

LEÍRÁS

A szövegbeli számok a 2–3. oldal képeire utalnak.

1. Főkapcsoló
2. Hordfogantyú
3. Akkumulátor-fedél
4. Akkumulátor
5. Akkumulátor-kioldó gomb
6. Rögzítőbilincs
7. Felső rész
8. Tartály
9. Fúvóport
10. Szívóport
11. Bemeneti nyílás
12. Tömlő
13. Habszűrő
14. HEPA-szűrő

15. Szűrőrekesz
16. Úszó
17. Porgyűjtő zsák
18. Háromszög alakú szívófej
19. Résszívó
20. Autós porszívó-eszköz
21. Elektromos szerszám adapter
22. Akkumulátor LED-jelzőlámpák gomb
23. Akkumulátor LED-jelzőlámpák
24. Töltő
25. A töltő LED-jelzőlámpái

3. ÖSSZESZERELÉS



Az elektromos szerszámon végzett bármilyen munka előtt távolítsa el az akkumulátort.



Az akkumulátort első használat előtt először fel kell tölteni.

Az akkumulátor behelyezése a gépbe (B1, B2 ábra)



A töltőre vagy a gépre csatlakoztatás előtt ellenőrizze, hogy az akkumulátor külseje tiszta és száraz legyen.

1. Tegye az akkumulátort (4) a gép talpába a B1 és B2 ábrán látható módon.
2. Kattanásig nyomja az akkumulátort a helyére.

Az akkumulátor kivétele a gépből (B1, B2 ábra)

1. Nyomja meg az akkumulátor kioldó gombját (5).
2. Vegye ki az akkumulátort a gépből a B1 és B2 ábrán látható módon.

Az akkumulátor töltési állapotának ellenőrzése (C ábra)

- A töltöttségi szint ellenőrzéséhez nyomja meg röviden a gombot (22).
- Az akkumulátor 3 lámpával mutatja a töltési szintet, minél több világít, annál több töltése van még az akkumulátornak.
- Ha a lámpák nem világítanak, az akkumulátor lemerült, azonnal tölteni kell.

Az akkumulátor töltése a töltővel (C ábra)

1. Vegye ki a gépből az akkumulátort (4).
2. Fordítsa fejjel lefelé az akkumulátort (4) és csúsztassa a töltőre (24) a C ábrán látható módon.
3. Nyomja be egészen az akkumulátort a nyílásba.

- Dugja a töltődugót villamos aljzatba és várjon. A gépen a LED-jelzőlámpák (25) világitani kezdenek, és jelzik a töltő állapotát.

A töltőn 2 LED-jelzőlámpa (25) van, amelyek mutatják a töltési folyamatot:

Piros LED állapot	Zöld LED állapot	Töltő állapota
Nem világit	Nem világit	Nincs áram alatt
Nem világit	Világit	Készenlét mód: - Nincs behelyezve akkumulátor vagy - Akkumulátor behelyezve, de a töltés befejeződött
Világit	Nem világit	Akkumulátor töltődik

- A 2 Ah-s akkumulátor teljes feltöltése 60 percet vesz igénybe.
- A 4 Ah-s akkumulátor teljes feltöltése 120 percet vesz igénybe.

Az akkumulátor teljes feltöltése után húzza ki a töltődugót az aljzataból és válassza le az akkumulátort a töltőről.



Ha a gépet hosszabb ideig nem használják, jobb az akkumulátort töltött állapotban tárolni.

A szűrő összeszerelése (E-G ábra)

- Vegye le a felső részt (7) a tartályról (8) az E ábra szerint.
- Szerelje össze a szűrőt. Ügyeljen a megfelelő szűrő felszerelésére, az alkalmazástól függően:
 - Száraz porszívózáshoz óvatosan csúsztassa a HEPA-szűrőt (14) a szűrőrekeszre (15), ügyelve arra, hogy a teljes rekesz (15) le legyen fedve az F1 ábrán látható módon.
 - Nedves porszívózáshoz óvatosan csúsztassa a habszűrőt (13) a szűrőrekeszre (15), ügyelve arra, hogy a teljes rekesz (15) le legyen fedve az F2 ábrán látható módon.
- Helyezze a felső részt (7) a tartályra (8) az E ábra szerint.

A tömlő csatlakoztatása (D1, D2 ábra).

- Porszívózáshoz (D1 ábra) csatlakoztassa a szívótömlőt (12) a szívóporthoz (10).

- Fúváshoz (D2 ábra) csatlakoztassa a szívótömlőt (12) a fúvóporthoz (9).

Helyezze fel a kívánt szívófejet.

Háromszög alakú szívófej (18)

A háromszög alakú szívófej háztartási nedves és száraz porszívózásra szolgál, például házban, dolgozószobában vagy garázsban.

Résszívó (19)

A résszívót háztartási száraz porszívózásra, élekre és egyéb nehezen hozzáférhető területekre tervezték.

Autós porszívó-eszköz (20)

A kefe szilárd anyagok porszívózására szolgál kis területekről. Ilyen például az autó ülése.

Elektromos szerszám adapter (21)

Adapter a szívótömlő és az elektromos szerszám csatlakoztatásához.

4. KEZELÉS



Ha a porszívó véletlenül felborul, az elzáró úszó mechanizmus (16) lefedi a motor porszívónyílását és leállíthatja a szívást. Ha ez megtörténik, egyszerűen állítsa fel a porszívót, és kapcsolja ki, amíg az úszó (16) vissza nem tér a normál helyzetébe.



Ne porszívózzon szűrő nélkül!

A gép be- és kikapcsolása

- Nyomja a főkapcsolót (1) „ON/I” állásba a porszívó elindításához.
- Nyomja a főkapcsolót (1) „OFF/O” állásba a porszívó kikapcsolásához.

Száraz porszívózás (D1, G ábra)



Rendszeresen tisztítsa meg a HEPA-szűrőt (14), hogy fenntartsa a szívóerőt.



A HEPA-szűrő (14) eltömődésének elkerülése érdekében javasoljuk, hogy használjon porgyűjtő zsákokat (17).



Az eltömődött porgyűjtő zsák (17) szétrepedhet – ezért ügyeljen rá, hogy a porgyűjtő zsákok időben cserélje ki!

1. Kapcsolja ki (1) a gépet, és válassza le az akkumulátort.
2. Oldja ki a rögzítőbilincset (6), és vegye le a felső részt (7).
3. Porszívózás előtt távolítson el minden szennyeződést és törmelékét a tartályból (8).
4. Óvatosan csúsztassa a HEPA-szűrőt (14) a szűrőrekeszre (15), ügyelve arra, hogy a teljes rekesz fedve legyen az F1 ábrán látható módon.
5. Porgyűjtő zsákkal történő porszívózáshoz (17):
 - Fogja meg szorosan a kartongyűrűt, és csúsztassa a gumi védőelemet, amennyire csak lehetséges, a bemeneti nyílásra (11) a G ábra szerint.
 - Ha minden a helyén van, hajtsa ki a zsákot (17), és helyezze a tartály (8) belső falai köré.
6. Helyezze vissza a felső részt (7), és rögzítse a rögzítőbilincset (6).
7. Dugja be a tömlő (12) egyik végét a porszívó nyílásba (10). Tekerje szét teljesen a szívótömlőt (12).

Porszívózáshoz:

8. Helyezze be az akkumulátort.
9. Nyomja a főkapcsolót (1) „ON/I” állásba a porszívó elindításához.
10. A készülék ekkor készen áll a száraz porszívózásra.
11. Nyomja a főkapcsolót (1) „OFF/O” állásba a porszívó kikapcsolásához.

Elektromos szerszámokkal való munkavégzéshez:

8. Illessze az elektromos szerszám adaptert (21) az elektromos szerszám porszívó kimenetéhez. Szükség esetén használjon kést.
9. Csatlakoztassa az elektromos szerszám adaptert (21) a tömlőhöz (12), és csatlakoztassa azt az elektromos szerszám porszívó kimenetéhez.
11. Helyezze be az akkumulátort.
12. Nyomja a főkapcsolót (1) „ON/I” állásba a porszívó elindításához.
13. A készülék ekkor készen áll a száraz porszívózásra.
14. Nyomja a főkapcsolót (1) „OFF/O” állásba a porszívó kikapcsolásához.

Nedves porszívózás (F2 ábra)



A porszívó úszóval van felszerelve (16). A maximális töltési szint elérésekor a szívóerő csökken. Azonnal kapcsolja ki a porszívót (1). Ūritse ki a tartályt (8).



Rendszeres időközönként tisztítsa meg az úszót (16), és ellenőrizze, hogy nem sérült-e. Ellenkező esetben rosszul működhet.



Soha ne nyúljon a felszíni kívánt vízbe. Áramütés veszélye.



Azonnal kapcsolja ki (1) a gépet, ha hab képződik vagy folyadék távozik!



Ne használjon porgyűjtő zsákot (17)!

1. Nyomja a főkapcsolót (1) „OFF/O” állásba, és válassza le az akkumulátort.
2. Oldja ki a rögzítőbilincset (6), és vegye le a felső részt (7).
3. Nedves porszívózás előtt vegye ki a porgyűjtő zsákot (17) és a HEPA szűrőt (14), valamint távolítson el minden szennyeződést és törmelékét a tartályból (8).
4. Óvatosan csúsztassa a habszűrőt (13) a szűrőrekeszre (15), ügyelve arra, hogy a teljes rekesz fedve legyen az F2 ábrán látható módon.
5. Helyezze vissza a felső részt (7), és rögzítse a rögzítőbilincset (6).
6. Dugja be a tömlő (12) egyik végét a porszívó nyílásba (10). Tekerje szét teljesen a szívótömlőt (12).
7. Helyezze be az akkumulátort.
8. Nyomja a főkapcsolót (1) „ON/I” állásba a porszívó elindításához.
9. A készülék ekkor készen áll a nedves porszívózásra.
10. Nyomja a főkapcsolót (1) „OFF/O” állásba a porszívó kikapcsolásához.
11. Emelje fel a tömlőt (12), hogy a folyadékok a tartályba (8) folyhassanak.
12. A tartályt (8) a szívás tisztítása után azonnal Ūritse ki, mert nem folyadékok tárolására szolgál.

Fűvó funkció (D2 ábra)



Szűrő nélküli űzemeltetés javasolt.



A fűvó funkció használata előtt távolítson el minden szennyeződést és törmelékét a tartályból (8).

A porszívó fűvó funkcióval van felszerelve. Használható por és törmelék kifűjására garázsokból, teraszokról és autóbejárókról. Az erősebb légáramlás érdekében javasoljuk a résszívó (19) használatát.

1. Nyomja a főkapcsolót (1) „OFF/0” állásba, és válassza le az akkumulátort.
2. Oldja ki a rögzítőbilincset (6), és vegye le a felső részt (7).
3. Fűvás előtt távolítsa el a porgyűjtő zsákok (17), a-szűrőt (13, 14), és távolítson el minden szennyeződést és törmelékét a tartályból (8).
4. Helyezze vissza a felső részt (7), és rögzítse a rögzítőbilincset (6).
5. Dugja be a tömlő (12) egyik végét a fűvőportba (9) a készülék hátoldalán. Tekerje szét teljesen a szívótömlőt (12).
6. Helyezze be az akkumulátort (4).
7. Nyomja a főkapcsolót (1) „ON/I” állásba a porszívó elindításához.
8. A készülék ekkor készen áll a por és törmelék fűvására.
9. Nyomja a főkapcsolót (1) „OFF/0” állásba a porszívó kikapcsolásához.

A használat befejezése

1. Nyomja a főkapcsolót (1) „OFF/0” állásba a porszívó kikapcsolásához. Vegye ki az akkumulátort.
2. Vegye le a felső részt (7), és ürítse ki a tartályt (8).
3. Tisztítsa meg a gépet egy puha törölronggyal, és tárolja száraz helyiségben.

5. KARBANTARTÁS



Tisztítás és karbantartás előtt mindig kapcsolja ki a gépet, és vegye ki belőle az akkumulátort.

A gép burkolatát rendszeresen, lehetőleg minden használat után törölje át puha ronggyal. Ügyeljen arra, hogy a szellőzőnyílások portól és szennyeződéstől mentesek legyenek. Makacs szennyeződésekhez használjon szappanos vízzel átitatott ruhát. Oldószert, benzint, alkoholt, ammóniát stb. ne használjon. Ezek a vegyszerek kárt tesznek a szintetikus részekben.

Tartály

A tartályt (8) a szívás tisztítása után azonnal ürítse ki, mert nem folyadékok tárolására szolgál.

1. Vegye le a felső részt (6), és ürítse ki a tartályt (8).
2. Puha rongydarabbal tisztítsa meg a készüléket.

Szűrők



Az optimális teljesítmény érdekében a használat mértékéhez igazodva javasolt a szűrők (13, 14) rendszeres cseréje.

HEPA-szűrő:

1. Óvatosan vegye ki a HEPA-szűrőt (14).
2. Tisztítsa meg a szűrő felületét egy kefével.
3. Óvatosan mossa ki a szűrőket 40 fok alatti vízzel.
4. Hagyja a szűrőt levegőn megszáradni, mielőtt behelyezi és újra használná.
5. Helyezze vissza a szűrőt.

Habszűrő:

1. Óvatosan vegye ki a habszűrőt (13).
2. Óvatosan mossa ki a szűrőket 40 fok alatti vízzel.
3. Hagyja a szűrőt levegőn megszáradni, mielőtt behelyezi és újra használná.
4. Helyezze vissza a szűrőt.

Úszó és szűrőrekesz

Az úszót (16) és a szűrőrekeszt (15) rendszeresen tisztítsa meg egy puha ruhával, és ellenőrizze, hogy nem sérült-e. Ellenkező esetben rosszul működhet.

KÖRNYEZETVÉDELEM



A hibás vagy már feleslegessé vált elektromos, elektronikus készülékeket az ezzel foglalkozó begyűjtő helyeken kell leadni.

Csak EU országokban

Elektromos szerszámokat ne dobjon a háztartási hulladékok közé. Az elektromos és elektronikai hulladékokra vonatkozó, 2012/19/EU európai irányelv és annak a nemzeti törvénykezésbe történő átültetése értelmében az elhasznált elektromos készülékeket külön kell gyűjteni és környezetbarát módon kell kiselejtezni.

SZAVATOSSÁG

A VONROC termékei a legmagasabb minőségi normák szerint készülnek, és az eredeti vásárlás napjától számított, törvényileg előírt időtartamig garantáljuk, hogy anyag- és gyártási hibáktól mentesen fognak működni. Ha a terméken ezen időszak alatt bármilyen hiba jelentkezik anyag- és/vagy gyártási hiba miatt, kérjük, forduljon közvetlenül a VONROC kapcsolattartójához.

A szavatosság nem érvényes a következő körülmények egyikére sem:

- Nem hivatalos szervizközpontok javítást vagy módosítást végeztek (vagy megkísérletek javítást vagy módosítást végezni) a gépen;
- Normál elhasználódás és kopás;
- A szerszámot szabálytalanul vagy nem rendeltetésszerűen használták, vagy a karbantartása nem volt megfelelő;
- Nem eredeti pótalkatrészeket használtak.

A garancia a vállalat által (akár kifejezetten, akár hallgatólagosan) biztosított kizárólagos garancia. Nem biztosítunk más garanciákat (sem kifejezett, sem beleértett garanciákat, ideértve az értékesíthetőségre és az adott célra való alkalmasságra vonatkozó hallgatólagos garanciákat is), amelyek a jelen garancia hatókörén túlmutatnak. A VONROC semmilyen esetben sem felelős semmilyen járu-lékos vagy következményes kárért. A forgalmazók jogorvoslati teendői az előírásoknak nem megfelelő egységek vagy alkatrészek javítására és cseréjére korlátozódnak.

A termék és a használati útmutató változtatásának jogát fenntartjuk. A műszaki adatok előzetes bejelentés nélkül változhatnak.

1. BEZPEČNOSTNÍ POKYNY

Přečtěte si příložené bezpečnostní výstrahy, dodatečné bezpečnostní výstrahy a bezpečnostní pokyny. Nebudete-li dodržovat tyto bezpečnostní výstrahy a pokyny, může dojít k úrazu elektrickým proudem, k vzniku požáru nebo k vážného zranění. Uchovejte tyto bezpečnostní výstrahy a pokyny pro budoucí použití.

V tomto návodu k obsluze a na tomto výrobku jsou použity následující symboly:



Přečtěte si návod k obsluze.



Pouze pro použití v interiéru



Miniaturní pomalá pojistka s tavnou vložkou.



Nevhazujte akumulátor do ohně.



Nevhazujte akumulátor do vody.



Nelikvidujte tento výrobek do nevhodného kontejneru.



Použijte tříděný odpad pro akumulátory Li-Ion.



Náradí třídy II - Dvojitá izolace - Není nutné použítí uzemňovacího vodiče.



Tento výrobek byl vyroben v souladu s platnými bezpečnostními normami, které jsou uvedeny ve směrnicih EU.

POZNÁMKY K BEZPEČNOSTI

TENTO SPOTŘEBIČ MOHOU POUŽÍVAT DĚTI STARŠÍ 8 LET A OSOBY SE SNÍŽENÝMI FYZICKÝMI, SMYSLOVÝMI NEBO MENTÁLNÍMI SCHOPNOSTMI NEBO NEDOSTATKEM ZKUŠENOSTÍ A ZNALOSTÍ, POKUD JSOU POD DOHLEDEM NEBO BYLY POUČENY O BEZPEČNÉM POUŽÍVÁNÍ SPOTŘEBIČE A POROZUMĚLY SOUVISEJÍCÍM RIZIKŮM. DĚTI SI S TÍMTO ZAŘÍZENÍM NESMÍ HRÁT. ČIŠTĚNÍ A ÚDRŽBU NESMĚJÍ PROVÁDĚT DĚTI BEZ DOZORU.

- **Nevysávejte materiály, které jsou zdraví škodlivé, jako například prach z bukového nebo**

dubového dřeva, prach ze zdiva, azbest. Tyto materiály jsou považovány za karcinogenní. Informujte se o předpisech/zákonech platných ve vaší zemi pro nakládání s materiály, které jsou zdraví nebezpečné.

- **Vysavač používejte pouze tehdy, když plně rozumíte všem jeho funkcím a můžete je používat bez omezení nebo jste obdrželi příslušné pokyny.** Důkladné seznámení s nářadím je dobrou prevencí chyb při jeho používání i zranění.
- **Nikdy neprovádějte mokré/suché vysávání bez nasazeného filtru. Vždy dohlédněte na to, aby filtry řádně seděly.**
- **Tento vysavač smí být používán a skladován pouze uvnitř.** Vniknutí deště nebo vlhkosti pod víko vysavače zvyšuje riziko úrazu elektrickým proudem.
- Nevysávejte horký ani hořící prach ani nevysávejte v místnostech s nebezpečím výbuchu. Prach se může vznítit nebo explodovat.
- Vyjměte akumulátorový modul z vysavače, než začnete s údržbou nebo čištěním, seřizováním, výměnou příslušenství nebo uložením vysavače. Toto bezpečnostní opatření brání náhodnému spuštění vysavače.
- Zajistěte dobré větrání na pracovišti.
- Svěřte opravu vašeho vysavače pouze kvalifikovanému opraváři, který použije výhradně originální náhradní díly. Tím zaručíte zachování bezpečného provozu vašeho vysavače.
- Nečistěte vysavač proudem vody namířeným přímo na něj. Vniknutí vody pod víko vysavače zvyšuje riziko úrazu elektrickým proudem.
- Pokud vysavač nepoužíváte, bezpečně jej uložte.
- Místo uložení musí být suché a zamykatelné. Tím zabráníte poškození vysavače při skladování i jeho použití nezkoušenými osobami.
- Toto zařízení není vhodné pro komerční ani průmyslové použití.
 - Nepoužívejte k vysávání vlhkých látek ani kapalin.
 - Nepoužívejte k vysávání popela nebo sazí.
 - Nepoužívejte k vysávání stavební sutě.

BEZPEČNOSTNÍ VAROVÁNÍ PRO AKUMULÁTORY

- a) **Akumulátor nerozebírejte.** Nebezpečí zkratu.
- b) **Chraňte akumulátor před teplem, např. před nepřetržitým intenzivním slunečním světlem, ohněm, vodou a vlhkostí.** Nebezpečí výbuchu.
- c) **V případě poškození a nesprávného použití akumulátoru se mohou uvolňovat výpary.**

V případě potíží vyvětrejte místnost a vyhledejte lékařskou pomoc. Výpary mohou dráždit dýchací ústrojí.

- d) **Používejte tento akumulátor výhradně s vaším výrobkem značky Vonroc.** Toto opatření samo o sobě chrání akumulátor před nebezpečným přetížením.
- e) **Akumulátor může být poškozen ostrými předměty, jako například hřebíky nebo šroubováky, nebo větší silou.** Může dojít k vnitřnímu zkratu a vznícení, vzniku kouře, výbuchu nebo přehřátí akumulátoru.

BEZPEČNOSTNÍ VAROVÁNÍ PRO NABÍJEČKU

Zamýšlené použití

Touto nabíječkou nabíjejte výhradně akumulátorové moduly typu CD801AA a CD803AA. Ostatní typy akumulátorů mohou prasknout a způsobit zranění a poškození.

- a) **Tento výrobek není určen k použití osobami (včetně dětí) se sníženými fyzickými, smyslovými nebo duševními schopnostmi, nebo s nedostatkem zkušeností a znalostí, pokud jim nebyl stanoven dohled nebo pokud jim nebyly poskytnuty potřebné instrukce.**
- b) **Děti musí být pod dozorem, aby si s tímto zařízením nehrály.**
- c) **Nenabíjejte baterie, které nejsou k nabíjení určeny!**
- d) **Během nabíjení musí být akumulátory umístěny na dobře větraném místě!**

2. INFORMACE O ZAŘÍZENÍ

Zamýšlené použití

Tento vysavač je vhodný pro mokré a suché vysávání s pomocí přiloženého filtru. Může být také použit jako ruční odsávací zařízení pro elektrické nářadí. Tento vysavač není určen k vysávání hořlavého, výbušného ani nebezpečného prachu. Toto zařízení není vhodné pro komerční nebo průmyslové použití.

TECHNICKÉ ÚDAJE



Tato uživatelská příručka platí pro různá čísla zboží / různé sady. V níže uvedené tabulce specifikací si můžete ověřit správný obsah vaší sady podle odpovídajícího čísla.

Model č.	Akumulátory v dodávce	Nabíječky v dodávce
VC508DC	-	-
S_VC508DC	CD801AA	CD802AA
S2_VC508DC	2 x CD801AA	CD802AA
S3_VC508DC	CD803AA	CD802AA

Informace o nářadí	
Napětí akumulátoru	20 V
Sací síla	≥10 kPA
Třída ochrany IP	IPX4
Hlučnost	75 dB(A)
Provozní doba (2,0Ah / 4,0Ah)	15 min / 30 min
Kapacita zásobníku přibl.	15 l
Užitečný objem přibl.	10 l
Filtr – suchý	HEPA filtr
Filtr – mokvý	Pěnový filtr
Délka hadice	1,68 m
Průměr hadice	Ø 40 mm
Hmotnost přibl. (bez akumulátoru a příslušenství)	3,5 kg
Doporučený sáček na prach	VC814AA
Doporučený HEPA filtr	VC813AA

Volitelné příslušenství	
Sada příslušenství na vysávání podlah (trubice, podlahová hubice a kolečka)	VC812AA

Model č.	CD801AA
Typ akumulátoru	Lithium-Ion
Napětí	20 V
Kapacita	2,0 Ah
Doporučená nabíječka	CD802AA
Hmotnost	0,3 kg

Model č.	CD802AA
Vstup nabíječky	220-240 V, 50 Hz 0,4 A
Výstup nabíječky	21V 2,5 A
Doba nabíjení 2Ah akumulátoru	60 minut
Doba nabíjení 4Ah akumulátoru	120 minut
Doporučené akumulátory	CD801AA, CD803AA
Hmotnost	0,36 kg

Model č.	CD803AA
Typ akumulátoru	Lithium-Ion
Napětí	20 V
Kapacita	4,0 Ah
Doporučená nabíječka	CD802AA
Hmotnost	0,65 kg

Používejte pouze následující akumulátory z platformy VONROC VPOWER 20 V. Použití jakýchkoliv jiných akumulátorů může způsobit vážné zranění nebo poškození nářadí.

CD801AA 20 V, 2Ah lithium-iontový
 CD803AA 20 V, 4Ah lithium-iontový

Pro nabíjení těchto akumulátorů se může používat následující nabíječka.
 CD802AA Rychlonabíječka

Akumulátory platformy VONROC VPOWER 20V se mohou používat ve všech akumulátorových nářadích platformy VONROC VPOWER 20V.

POPIS

Čísla v následujícím textu odkazují na obrázky na stranách 2-3.

1. Vypínač
2. Rukojeť pro přenášení
3. Kryt akumulátoru
4. Akumulátor
5. Tlačítko pro uvolnění akumulátoru
6. Pojistná svorka
7. Horní část
8. Nádrž
9. Vyfukovací port
10. Vysávací port
11. Vstupní port
12. Hadice
13. Pěnový filtr

14. HEPA filtr
15. Filtrační klec
16. Plovák
17. Sáček na prach
18. Trojúhelníková hubice
19. Štěrbinová hubice
20. Nástavec pro vysávání automobilů
21. Nástavec pro elektrické nářadí
22. Tlačítko LED indikátorů akumulátoru
23. LED indikátory akumulátoru
24. Nabíječka
25. LED indikátory nabíječky

3. SESTAVENÍ



Před zahájením jakékoliv práce na elektrickém nářadí vyjměte z tohoto nářadí akumulátor.



Před prvním použitím musí být akumulátor nabit.

Vložení akumulátoru do stroje (obr. B1, B2)



Před vložením do nabíječky nebo do stroje zkontrolujte, že je povrch akumulátoru čistý a suchý.

1. Zasuňte akumulátor (4) do základny nářadí, jak je ukázáno obr. B1, B2.
2. Zatlačte akumulátor úplně dopředu, dokud nezaklapne na své místo.

Vyjmutí akumulátoru ze stroje (obr. B1, B2)

1. Stiskněte tlačítko pro uvolnění akumulátoru (5).
2. Vytáhněte akumulátor z nářadí, jak je ukázáno na Obr. B1, B2.

Kontrola stavu nabití akumulátoru (obr. C)

- Chcete-li zkontrolovat stav nabití akumulátoru, krátce stiskněte tlačítko (22) na akumulátoru.
- Akumulátor je vybaven 3 kontrolkami, které indikují stav jeho nabití: čím více kontrolky svítí, tím více je akumulátor nabit.
- Pokud tyto kontrolky nesvítí, znamená to, že je akumulátor vybitý a musíte ho okamžitě nabít.

Nabíjení akumulátoru pomocí nabíječky (obr. C)

1. Vyjměte akumulátor (4) ze stroje.
2. Obráťte akumulátor (4) spodní stranou nahoru a zasuňte ho do nabíječky (24), jak je zobrazeno na obr. C.

3. Zatlačte na akumulátor, dokud nebude zcela zasunut do slotu.
4. Připojte zástrčku nabíječky do elektrické zásuvky a chvíli počkejte. LED indikátory na nabíječce (25) se rozsvítí a zobrazí aktuální stav nabití akumulátoru.

Tato nabíječka je vybavena 2 LED indikátory (25), které indikují stav procesu nabíjení:

Stav červené LED	Stav zelené LED	Stav nabíječky
Nesvítí	Nesvítí	Žádné napájení
Nesvítí	Svítí	Pohotovostní režim: - Není vložen žádný akumulátor nebo - Akumulátor je vložen, ale nabíjení skončilo
Svítí	Nesvítí	Probíhá nabíjení akumulátoru

- Úplné nabití 2Ah akumulátoru může trvat až 60 minut.
- Úplné nabití 4Ah akumulátoru může trvat až 120 minut.

Jakmile bude akumulátor zcela nabit, odpojte zástrčku kabelu nabíječky ze zásuvky a vyjměte akumulátor z nabíječky.



Nebude-li toto nářadí používáno delší dobu, dohlédněte na to, aby akumulátor byl před uložením nabit.

Sestavení filtru (Obr. E-G)

1. Sejměte horní část (7) nádrže (8), jak je naznačeno na obrázku E.
2. Sestavte filtr. Použijte správný filtr s ohledem na zamýšlené použití:
 - Pro suché vysávání opatrně nasadte HEPA filtr (14) přes filtrační klec (15) a ujistěte se, že je zakryta celá klec (15), jak je naznačeno na obrázku F1.
 - Pro mokré vysávání opatrně nasadte pěnový filtr (13) přes filtrační klec (15) a ujistěte se, že je zakryta celá klec (15), jak je naznačeno na obrázku F2.
3. Nasadte horní část (7) na nádrž (8), jak je naznačeno na obrázku E.

Připojení hadice (obr. D1, D2).

- Pro vysávání (Obr. D1) připojte sací hadici (12) na vysávací port (10).
- Pro foukání (Obr. D2) připojte sací hadici (12) na vyfukovací port (9).

Připojte požadovanou hubici.**Trojúhelníková hubice (18)**

Trojúhelníková hubice je určena pro domácí mokré a suché vysávání, například v domě, dílně nebo garáži.

Štěrbínová hubice (19)

Štěrbínová hubice je určena pro domácí mokré a suché vysávání koutů a dalších obtížně přístupných míst.

Nástavec pro vysávání automobilů (20)

Kartáč je určen k vysávání pevných látek z malých ploch. Například sedadel v automobilech.

Nástavec pro elektrické nářadí (21)

Adaptér pro připojení sací hadice k elektrickému nářadí.

4. POUŽITÍ

Pokud se vysavač náhodou převrátí, může uzavírací plovákový mechanismus (16) zakrýt vysávací port motoru a zastavit sání. Pokud k tomu dojde, jednoduše postavte vysavač zpět do svislé polohy a vypněte jej, dokud se plovák (16) nevrátí do své normální polohy.



Nevysávejte bez filtru!

Zapnutí a vypnutí nářadí

- Stisknutím vypínače (1) do polohy „ON/I“ vysavač zapnete.
- Stisknutím vypínače (1) do polohy „OFF/O“ vysavač vypnete.

Suché vysávání (Obr. D1, G)

Pravidelně čistěte HEPA filtr (14), abyste zachovali sací výkon.



Aby nedocházelo k ucpávání HEPA filtru (14), doporučujeme používat sáček na prach (17).



Ucpaný sáček na prach (17) může prasknout - proto je nutné ho včas vyměnit!

1. Vypněte (1) stroj a vytáhněte akumulátor.
2. Uvolněte pojistnou svorku (6) a sejměte horní část (7).
3. Před vysáváním odstraňte veškeré nečistoty a prach z nádrže (8).
4. Opatrně nasadte HEPA filtr (14) na filtrační klec (15) a ujistěte se, že je zakryta celá klec, jak je naznačeno na obrázku F1.
5. Pro vysávání se sáčkem na prach (17):
 - Pevně uchopte lepenkovou manžetu a nasuňte pryžový ochranný prvek co nejdále na vstupní port (11), jak je naznačeno na obrázku G.
 - Když je vše na svém místě, rozložte sáček (17) a rozprostřete jej okolo vnitřních stěn nádrže (8).
6. Znovu nasadte horní část (7) a zajistěte pojistnou svorku (6).
7. Zasuňte jeden konec hadice (12) do vysávacího portu (10). Rozmotejte celou sací hadici (12).

Pro vysávání:

8. Vložte akumulátor.
9. Stisknutím vypínače (1) do polohy „ON/I“ vysavač zapnete.
10. Stroj je nyní připraven k použití pro suché vysávání.
11. Stisknutím vypínače (1) do polohy „OFF/O“ vysavač vypnete.

Pro použití s elektrickým nářadím:

8. Přizpůsobte nástavec pro elektrické nářadí (21), aby mohl být připojen na port pro odsávání prachu na elektrickém nářadí. Podle potřeby použijte nůž.
9. Připojte nástavec pro elektrické nářadí (21) k hadici (12) a pak jej připojte na port pro odsávání prachu na elektrickém nářadí.
11. Vložte akumulátor.
12. Stisknutím vypínače (1) do polohy „ON/I“ vysavač zapnete.
13. Stroj je nyní připraven k použití pro suché vysávání.
14. Stisknutím vypínače (1) do polohy „OFF/O“ vysavač vypnete.

Mokrě vysávání (Obr. F2)

Vysavač je vybaven plovákem (16). Sací výkon klesá, když je dosaženo maximální úrovně naplnění. Okamžitě vysavač vypněte (1). Vyprázdněte nádrž (8).



Čistěte plovák (16) v pravidelných intervalech a kontrolujte, zda není poškozen. Jinak by mohla být jejich funkce narušena.



Nikdy nesahejte do vody, kterou chcete vysávat. Nebezpečí úrazu elektrickým proudem.



Okamžitě vypněte (1) stroj, pokud vzniká pěna nebo uniká kapalina!



Nepoužívejte sáček na prach (17)!

1. Stiskněte vypínač (1) do polohy „OFF/0“ a vytáhněte akumulátor.
2. Uvolněte pojistnou svorku (6) a sejměte horní část (7).
3. Před mokrým vysáváním demontujte papírový sáček na prach (16), HEPA filtr (14) a odstraňte veškeré nečistoty a prach z nádrže (8).
4. Opatrně nasadte pěnový filtr (13) na filtrační klec (15) a ujistěte se, že je zakryta celá klec, jak je naznačeno na obrázku F2.
5. Znovu nasadte horní část (7) a zajistěte pojistnou svorku (6).
6. Zasuňte jeden konec hadice (12) do vysávacího portu (10). Rozmotejte celou sací hadici (12).
7. Vložte akumulátor.
8. Stisknutím vypínače (1) do polohy „ON/I“ vysavač zapnete.
9. Stroj je nyní připraven k použití pro mokré vysávání.
10. Stisknutím vypínače (1) do polohy „OFF/0“ vysavač vypnete.
11. Zvedněte hadici (12) tak, aby kapalina stekla do nádrže (8).
12. Vyprázdněte nádrž (8) okamžitě po dokončení vysávání; není určena ke skladování kapalin.

Funkce foukání (Obr. D2)



Doporučuje se používat zařízení bez filtru.



Před použitím funkce foukání musíte odstranit veškeré nečistoty a prach z nádrže (8).

Váš vysavač je vybaven funkcí foukání. Může se používat k vyfoukání prachu a nečistot z garáží nebo teras a příjezdových cest. Doporučujeme použít štěrbínovou hubici (19) pro dosažení silnějšího proudu vzduchu.

1. Stiskněte vypínač (1) do polohy „OFF/0“ a vytáhněte akumulátor.
2. Uvolněte pojistnou svorku (6) a sejměte horní část (7).
3. Před foukáním demontujte papírový sáček na prach (16), filtr (13, 14) a odstraňte veškeré nečistoty a prach z nádrže (8).
4. Znovu nasadte horní část (7) a zajistěte pojistnou svorku (6).
5. Zasuňte jeden konec hadice (12) do vyfukovacího portu (9) na zadní straně stroje. Rozmotejte celou sací hadici (12).
6. Vložte akumulátor (4).
7. Stisknutím vypínače (1) do polohy „ON/I“ vysavač zapnete.
8. Stroj je nyní připraven k odfukování prachu a nečistot.
9. Stisknutím vypínače (1) do polohy „OFF/0“ vysavač vypnete.

Ukončení použití

1. Stisknutím vypínače (1) do polohy „OFF/0“ vysavač vypnete. Vyjměte akumulátor.
2. Sejměte horní část (7) a vyprázdněte nádrž (8).
3. Vyčistěte stroj měkkým hadrem a uložte ho v suché místnosti.

5. ÚDRŽBA



Před čištěním a prováděním údržby vždy stroj vypněte a vyjměte z něj akumulátor.

Pravidelně čistěte kryt zařízení jemným hadříkem, ideálně po každém použití. Ujistěte se, že nejsou větrací otvory zaneseny prachem nebo jinými nečistotami. Odolnější nečistoty odstraňte pomocí jemného hadříku navlhčeného v mýdlové pěně. Nepoužívejte žádná rozpouštědla, jako je benzín, líh, čpavek atd. Takové chemické látky mohou způsobit poškození dílů z umělé hmoty.

Nádrž

Vyprázdněte nádrž (8) okamžitě po dokončení vysávání; není určena ke skladování kapalin.

1. Sejměte horní část (6) a vyprázdněte nádrž (8).
2. Vyčistěte stroj měkkým hadrem.

Filtry

Pro optimální výkonnost doporučujeme pravidelně vyměňovat filtry (12, 14) v závislosti na intenzitě používání.

HEPA filtr:

1. Opatrně vyjměte HEPA filtr (14).
2. Očistěte povrch filtru kartáčem.
3. Opatrně filtr opláchněte vodou o maximální teplotě 40 stupňů.
4. Před instalací a opětovným použitím nechejte filtr uschnout na vzduchu.
5. Znovu nasadte filtr.

Pěnový filtr:

1. Opatrně vyjměte pěnový filtr (13).
2. Opatrně filtr opláchněte vodou o maximální teplotě 40 stupňů.
3. Před instalací a opětovným použitím nechejte filtr uschnout na vzduchu.
4. Znovu nasadte filtr.

Plovák a filtrační klec

Pravidelně čistěte plovák (16) a filtrační klec (15) měkkým hadrem a zkontrolujte, zda nejsou poškozené. Jinak by mohla být jejich funkce narušena.

OCHRANA ŽIVOTNÍHO PROSTŘEDÍ

Poškozená a likvidovaná elektrická nebo elektronická zařízení musí být odevzdána ve sběrných dvorech, které jsou určeny pro tento účel.

Pouze pro země EU

Nevyhazujte elektrická nářadí do běžného domácího odpadu. Podle evropské směrnice 2012/19/EU týkající se likvidace elektrických a elektronických zařízení a její implementace do vnitrostátního práva, musí být nepoužívaná elektrická nářadí shromažďována odděleně a jejich likvidace musí být provedena tak, aby nedošlo k ohrožení životního prostředí.

ZÁRUKA

Výrobky VONROC jsou vyvíjeny v souladu s požadavky norem na nejvyšší kvalitu a je zaručeno, že po dobu platné záruky, která začíná běžet dnem původního nákupu, nebudou na těchto výrobcích žádné vady materiálu, ani vady způsobené

špatným dílenským zpracováním. Dojde-li během tohoto období k závadě v důsledku vady materiálu nebo dílenského zpracování, kontaktujte přímo firmu VONROC.

Z této záruky jsou vyloučeny následující případy:

- Opravy nebo úpravy tohoto zařízení byly provedeny nebo byly provedeny pokusy o jejich provedení v neautorizovaných servisech;
- Běžné opotřebení;
- Toto zařízení bylo nesprávně použito, nevhodně použito nebo nebyla prováděna jeho správná údržba;
- Byly použity neoriginální náhradní díly.

Výše uvedené představuje jedinou záruku poskytovanou společností, ať už výslovnou nebo předpokládanou. Neexistují žádné další záruky, výslovné ani nebo předpokládané, které přesahují rámec zde uvedeného, včetně předpokládaných záruk prodejnosti a vhodnosti pro určitý účel. VONROC v žádném případě neodpovídá za jakékoliv náhodné ani následné škody. Opravné prostředky prodejců se omezují výhradně na opravu nebo výměnu nevhovujících jednotek nebo dílů.

Na tomto výrobku a v tomto návodu mohou být prováděny změny. Technické údaje mohou být změněny bez předchozího upozornění.





DECLARATION OF CONFORMITY S_S2_S3_VC508DC – COMPACT BOX VACUUM CLEANER 20V

(EN) We declare under our sole responsibility that this product is in conformity with directive 2011/65/EU of the European parliament and of the council of 8 June on the restriction of the use of certain hazardous substances in electrical and electronic equipment is in conformity and accordance with the following standards and regulations:

(DE) Der Hersteller erklärt eigenverantwortlich, dass dieses Produkt der Richtlinie 2011/65/ EU des Europäischen Parlaments und des Rats vom 8. Juni 2011 über die Einschränkung der Anwendung von bestimmten gefährlichen Stoffen in elektrischen und elektronischen Geräten entspricht. den folgenden Standards und Vorschriften entspricht:

(NL) Wij verklaren onder onze volledige verantwoordelijkheid dat dit product voldoet aan de conform Richtlijn 2011/65/ EU van het Europees Parlement en de Raad van 8 juni 2011 betreffende beperking van het gebruik van bepaalde gevaarlijke stoffen in elektrische en elektronische apparatuur en in overeenstemming is met de volgende standaarden en reguleringen:

(FR) Nous déclarons sous notre seule responsabilité que ce produit est conforme aux standards et directives suivants: est conforme à la Directive 2011/65/EU du Parlement Européen et du Conseil du 8 juin 2011 concernant la limitation d'usage de certaines substances dangereuses dans l'équipement électrique et électronique.

(ES) Declaramos bajo nuestra exclusiva responsabilidad que este producto cumple con las siguientes normas y estándares de funcionamiento: se encuentra conforme con la Directiva 2011/65/UE del Parlamento Europeo y del Consejo de 8 de junio de 2011 sobre la restricción del uso de determinadas sustancias peligrosas en los equipos eléctricos y electrónicos.

(IT) Dichiariamo, sotto la nostra responsabilità, che questo prodotto è conforme alle normative e ai regolamenti seguenti: è conforme alla Direttiva 2011/65/UE del Parlamento Europeo e del Consiglio dell'8 giugno 2011 sulla limitazione dell'uso di determinate sostanze pericolose nelle apparecchiature elettriche ed elettroniche.

(SV) Vi försäkrar under vårt eget ansvar att denna product överensstämmer med Europaparlamentets och rådets direktiv 2011/65/EU av den 8 juni om begränsning av användningen av vissa farliga ämnen i elektrisk och elektronisk utrustning och är i överensstämmelse och enlighet med följande standarder och föreskrifter:

VC508DC:

EN 60335-1; EN 60335-2-2; EN 62233; EN 55014-1; EN 55014-2; EN 61000-3-2; EN 61000-3-3; 2014/35/EU; 2014/30/EU; 2011/65/EU; 2012/19/EU

S_S2_S3_VC508DC:

EN 60335-1; EN 60335-2-29; EN 60335-2-2; EN 62233; EN 55014-1; EN 55014-2; EN 61000-3-2; EN 61000-3-3; 2014/35/EU; 2014/30/EU; 2011/65/EU; 2012/19/EU

Zwolle, 01-05-2022

H.G.F Rosberg
CEO

(DA) Vi erklærer under eget ansvar, at dette produkt er i overensstemmelse med Europa-Parlamentets og Rådets direktiv 2011/65/EU af 8. juni om begrænsning af brugen af visse farlige stoffer i elektrisk og elektronisk udstyr og overholder og er i overensstemmelse med følgende standarder og regler:

(PL) Deklarujemy na własną odpowiedzialność, że ten produkt spełnia wymogi zawarte w następujących normach i przepisach: jest zgodny z Dyrektywą 2011/65/UE Parlamentu Europejskiego i Rady z dnia 8 czerwca 2011 r. w sprawie ograniczenia stosowania niektórych niebezpiecznych substancji w sprzęcie elektrycznym i elektronicznym.

(RO) Declarăm sub responsabilitatea exclusivă că acest produs este în conformitate cu Directiva 2011/65/UE a Parlamentului și a Consiliului European din 8 iunie privind restricționarea utilizării anumitor substanțe periculoase în echipamentele electrice și electronice și în conformitate cu următoarele standarde și reglementări:

(PT) Declaramos por nossa total responsabilidade de que este produto está em conformidade e cumpre as normas e regulamentações que se seguem: está em conformidade com a Directiva 2011/65/EU do Parlamento Europeu e com o Conselho de 8 de Junho de 2011 no que respeita à restrição de utilização de determinadas substâncias perigosas existentes em equipamento eléctrico e electrónico.

(HU) Felelősségünk teljes tudatában kijelentjük, hogy ez a termék teljes mértékben megfelel az alábbi szabványoknak és előírásoknak: je v souladu se směrnici 2011/65/EU Evropského parlamentu a Rady EU ze dne 8. června 2011, která se týká omezení použití určitých nebezpečných látek v elektrických a elektronických zařízeních.

(CS) Na naši vlastní zodpovědnost prohlašujeme, že je tento výrobek v souladu s následujícími standardy a normami: Je v súlade s normou 2011/65/EÚ Európskeho parlamentu a Rady z 8. júna 2011 týkajúcej sa obmedzenia používania určitých nebezpečných látok v elektrickom a elektronickom vybavení.



VONROC®
BUILD YOUR FUTURE

©2022 VONROC
WWW.VONROC.COM

2205-20