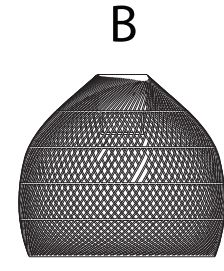
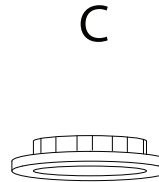
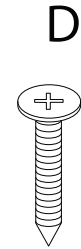
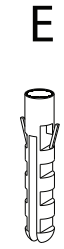
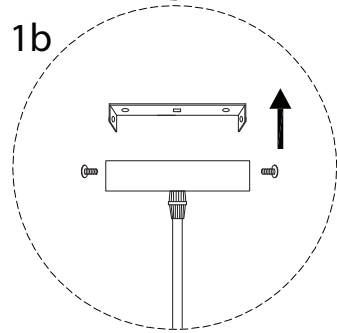
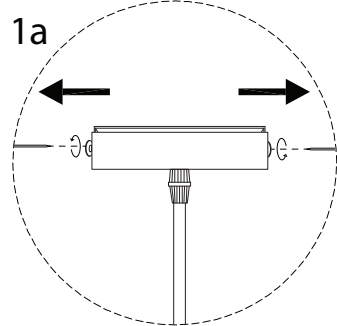
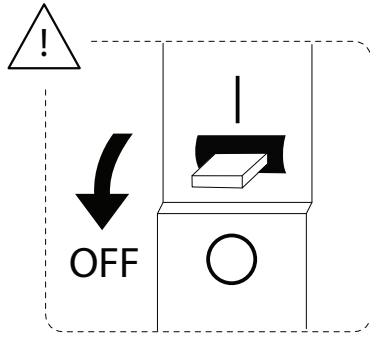
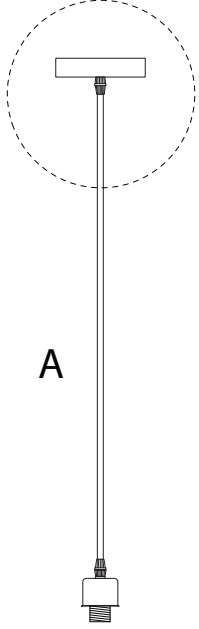
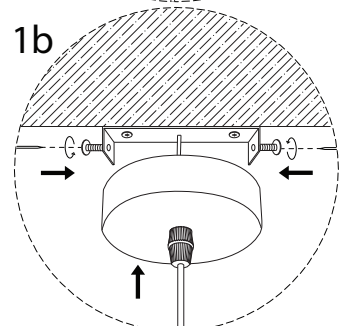
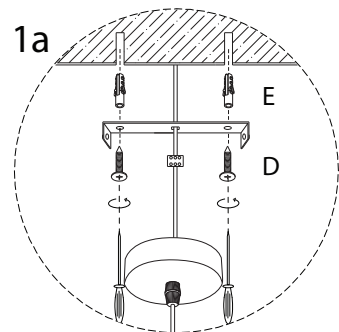
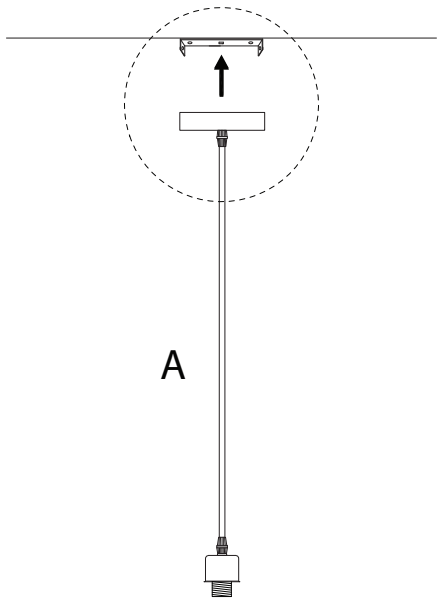
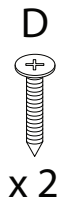
 <p>A</p> <p>x 1</p>	 <p>B</p> <p>x 1</p>	 <p>C</p> <p>x 1</p>	 <p>D</p> <p>x 2</p>	 <p>E</p> <p>x 2</p>
---------------------------------------------------------------------------------------------------------	---------------------------------------------------------------------------------------------------------	---------------------------------------------------------------------------------------------------------	-----------------------------------------------------------------------------------------------------------	-----------------------------------------------------------------------------------------------------------

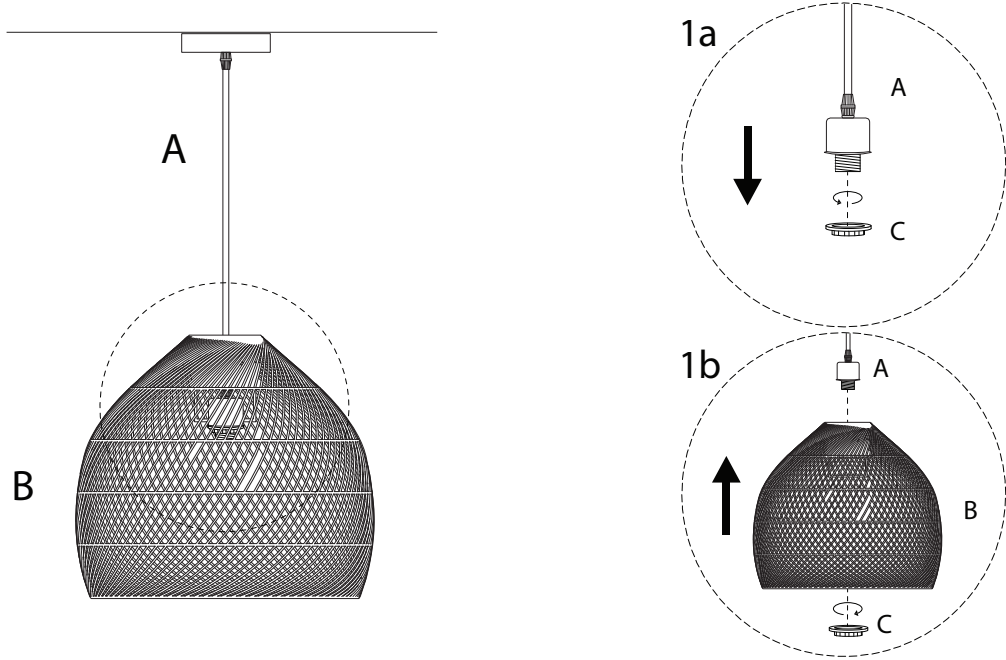
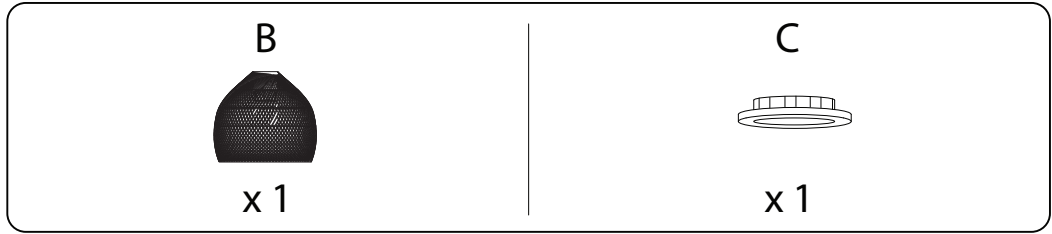
1



2



3



4

