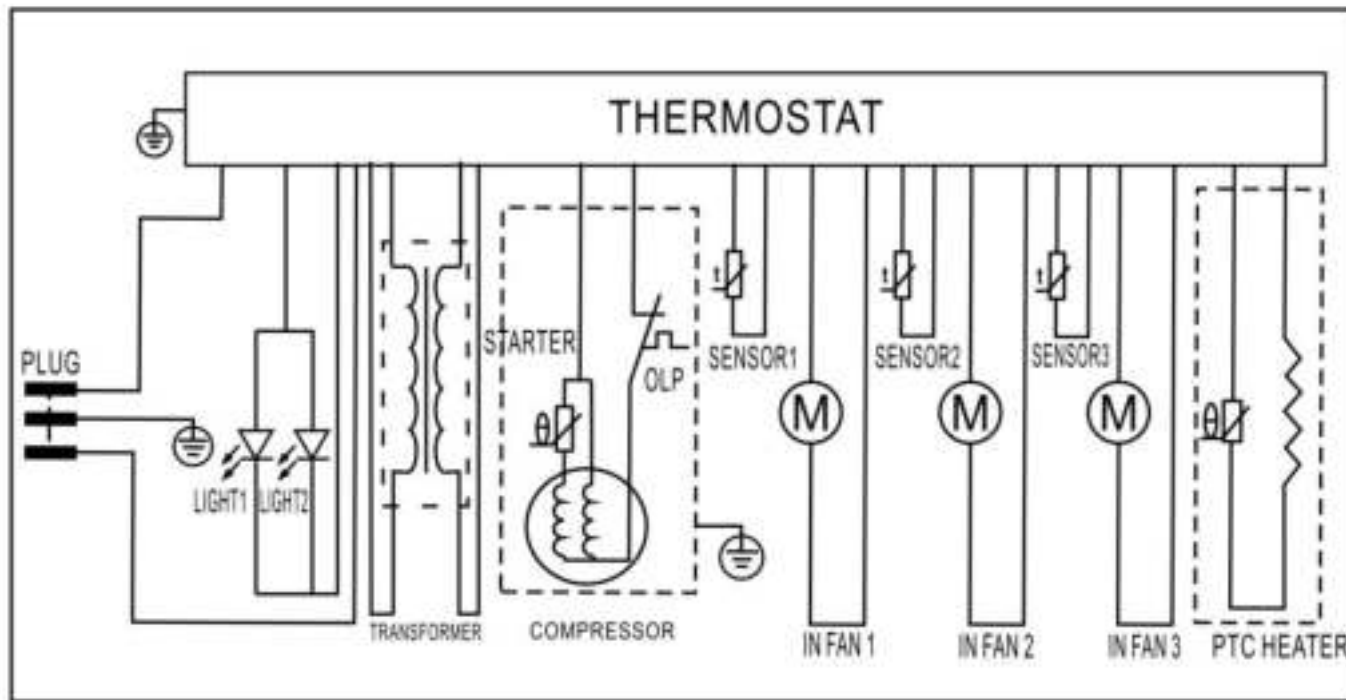


110mm

**VESTFROST**  
SOLUTIONS

Wine cellar W32

MODEL:0-S704001H6030803



SPECIFICATIONS	
SERIAL NO.:	
CLIMATE CATEGORY	N
REFRIGERANT	R600a
AMOUNT	30g
INSULATION BLOWING GAS	C-Pentane
RATED VOLTAGE	220-240V
RATED FREQUENCY	50Hz
RATED CURRENT	0.5A
NET WEIGHT	42Kg
NET VOLUME	114L
BOTTLE CAPACITY	38

FALKEVEJ 12 DK-6705 ESBJERG , DENMARK

**Free Standing Installing Only**

75mm