

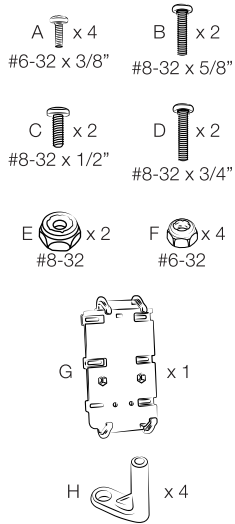


rammount.com  
1.800.497.7479  
support@rammount.com

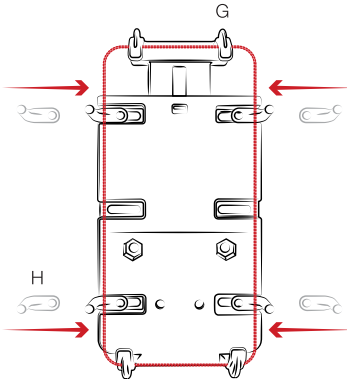
# RAM® Quick-Grip™ Holder

## Part Index

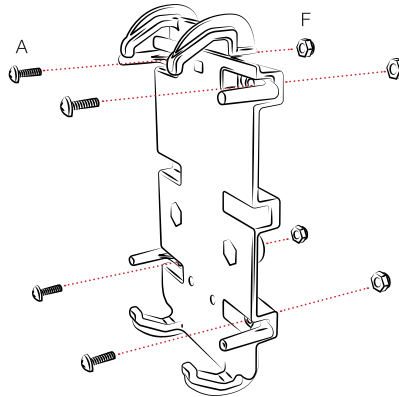
\*not to scale



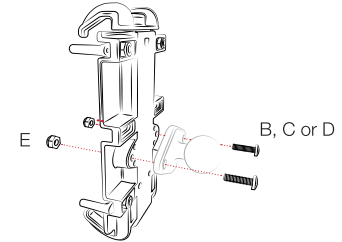
**1** Insert phone into main body (G). Determine best placement of fingers (H) to avoid blocking any buttons.



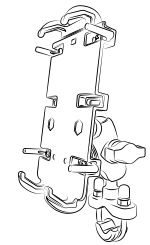
**2** Remove phone and attach fingers using small screws (A) and nuts (F).  
Loosen and adjust positioning of fingers as necessary to best support your phone.



**3** Attach RAM® Quick-Grip™ to RAM® mounting components using larger screws (B, C or D) and nuts (E).



Completed Assembly



RMR-INS-PDX



## Safety Precaution

Do not install this product near or over an airbag deployment area or in a location that obstructs the driver's vision or interferes with vehicle operation. National Products, Inc does not assume responsibility or liability for any such personal injury, death or property damage.