

AREBOS

Floor fan



Please follow all security measures in this user's manual to ensure a secure use.



Thank you for trusting in AREBOS.

Table of Contents

| | |
|--|-----------|
| 1. Introduction and safety instructions | 4 |
| 1.1 Introduction..... | 4 |
| 1.2 Explanation of the symbols | 4 |
| 1.3 General safety instructions..... | 5 |
| 1.4 Specific safety instructions | 6 |
| 2. Intended Use | 7 |
| 3. Technical specifications | 8 |
| 4. Overview | 8 |
| 5. Use | 9 |
| 5.1 Unpack the device | 9 |
| 5.2 Assembly | 9 |
| 5.3 Adjust the inclination angle of the fan | 9 |
| 5.4 Commissioning | 10 |
| 5.5 Connect power cable..... | 10 |
| 6. Operation | 11 |
| 6.1 Switch on the device..... | 11 |
| 6.2 Decommissioning | 11 |
| 7. Transportation and storage | 11 |
| 7.1 Transportation..... | 11 |
| 7.2 Storage | 12 |
| 8. Cleaning and maintenance..... | 12 |
| 8.1 Activities before maintenance..... | 12 |
| 8.2 Clean the housing | 12 |
| 8.3 Remove safety guard..... | 12 |
| 8.4 Clean fan blades | 13 |
| 9. Errors and faults | 14 |

| | |
|--|-----------|
| 9.1 The device does not start | 14 |
| 9.2 The fan does not start | 14 |
| 9.3 The device is loud and vibrates | 14 |
| 9.4 Your device still does not operate correctly after these checks? | 14 |
| 9.5 Behaviour in the event of an emergency..... | 14 |
| 10..Environmentally friendly disposal..... | 15 |
| 10.1 Disposal and packaging | 15 |
| 10.2 Disposal of old equipment..... | 15 |
| EU Declaration of Conformity | 16 |

Thank you for purchasing our product. Please read the operating instructions carefully before using the product for the first time. If you give the product to a third party, this manual must be handed over with it. Protect yourself and others by observing all safety information, warnings and precautions. Failure to follow the instructions may result in injury and/or damage to the product or property. Keep the instruction manual for future reference. The drawings in this manual may not match the physical objects. Please refer to the physical objects.

1. Introduction and safety instructions

1.1 Introduction

- These operating instructions are intended to familiarise you with the installation, use and maintenance of the appliance. To install the unit safely and correctly, please read the operating instructions **before** you start.
- Check the unit for any damage that may have occurred during transport. Immediately report any damage to the carrier by which the product was delivered.

1.2 Explanation of the symbols



By means of a CE marking, it can be recognized that a product complies with the legal provisions of European legal standards and therefore may be traded within the European Community.



The symbol "GS" stands for tested safety. Products marked with this symbol comply with the requirements of the German Product Safety Act (ProdSG).



Warning! Read the safety instructions carefully. Failure to follow the safety precautions could result in serious injury or damage. Keep the operating instructions in a safe place.



Be careful when using this product.



Warning of electrical voltage!



Note: Pull out mains plug!




This product must **not** be disposed of with household waste!



Warning! Do not put fingers and other limbs in the fan housing!

1.3 General safety instructions

- Your safety is of the most importance to us. Please make sure that you read this instruction booklet **before** attempting to install and use the appliance. If you are unsure of any of the information contained in this booklet, please contact the Retailer where you purchased your unit.
-  **WARNING:** Read all safety and usage instructions. Failure to follow the safety information and instructions can cause electric shock, fire and/or serious injury. Keep all safety and usage instructions for future reference.
- **DO NOT** use the product until you read the instruction manual.
- Make sure you have read the instruction manual thoroughly and understand the contents before you start the installation.
- The instructions are in the interest of your safety.
- Use the device only for private and intended purpose. This device is not intended for commercial use.
This appliance is intended for household use only to ventilate large spaces: do not use it for any other purpose. Any other application is considered improper and therefore dangerous. The manufacturer assumes no liability for any damage resulting from improper, incorrect or irresponsible use and/or repairs not performed by qualified personnel.
- **Attention!** When handling electrical appliances always observe the basic safety measures. This avoids the risk of fire and the risk of electric shock and personal injury.
- Do not use the device if it does not function properly or appears damaged. If in doubt, contact a specialist.
- When unmounted, the device should be neither operated nor connected to the mains.
- Improper installation can lead to a fire, electric shock or serious personal injury.
- Before every use, check the device, its accessories and connecting parts for possible damage. Do not use defective devices or device parts.
- Only use original accessories.
- **Attention risk of injury!** Modification or changing of the product will affect product safety.
- Ensure that all electrical cables outside of the device are protected from damage (such as caused by animals). Never use the device if electric cable or the power connection are

damaged!

- A damaged power cord must be replaced by the manufacturer, its after-sales service or by a suitably qualified specialist, so that any risks can be excluded.
- Always disconnect the device from the power outlet before disassembling, assembling or cleaning it.
- Never pull on the power cord to move the unit.
- Do not pull on the cable to pull the power plug out of the socket.
- If the device is not in operation, disconnect the plug from the socket.
- Before servicing, maintaining, or repairing the unit, disconnect the power cord from the wall outlet by grasping it by the power plug.
- The power connection must correspond to the specifications in the chapter "Technical data".
- Plug the power plug into a properly secured electrical outlet.
- Select extensions of the power cord considering the technical data. Unroll the extension cable completely. Avoid electrical overload.
- Turn off the power and unplug the power cord from the wall outlet when not in use.
- Never use the device if you notice damage to the power plug or power cord.
If the power cord of this unit is damaged, it must be replaced by the manufacturer or its service agent or a similarly qualified person to avoid hazards.

1.4 Specific safety instructions

- This appliance can be used by children aged from 8 years and above and persons with reduced physical, sensory or mental capabilities or lack of experience and knowledge, if they have been given supervision or instruction concerning use of the appliance in a safe way and understand the hazards involved. Children shall not play with the device. Cleaning and maintenance shall not be made by children without supervision.
- For the safety of your children, do not leave any packaging parts accessible (plastic bag, carton, styrofoam, etc.).
- Keep the device out of the reach of children.
- The appliance is not a toy. Keep away from children and animals. Do not leave the device unattended during operation.
- Do not operate the device unattended. If you leave the room, always switch off the device. Pull the plug out of the socket.
- In the event of a defect or malfunction, switch off the device immediately and have it checked by a specialist; Repairs by unqualified personnel can be dangerous and will void the warranty.
- Set the device up in an upright and stable position.
- Make sure the impeller is working properly: if it does not, turn it off and have it checked by properly qualified personnel.
Defective power cords pose a serious health hazard!
- When positioning the device, observe the minimum distances from walls and other objects as well as the storage and operating conditions.
- Do not cover or transport the device during operation.
- Do not sit on the device.
- Do not expose the device to atmospheric conditions (direct sunlight, rain, etc.).
- Do not use the device outdoors.
- Do not use the device at ambient temperatures above 40 ° C.
- Do not use the device in potentially explosive rooms.
- Do not use the device in aggressive atmosphere.
- Let the device dry out after a wet clean. Do not operate it when wet.
- Do not use the device with damp or wet hands.

- Do not expose the device to directly squirting water.
- Never insert any objects or limbs into the device.
- Ensure that the air inlet and outlet are not obstructed.
- Make sure that there are no loose items located in the immediate surroundings of air inlet and air outlet.
- Be careful with long hair: These can be sucked in by the air flow!
- Operate the device only with the safety guard closed!
Never run the product without the fan guard, otherwise serious injury could result.
- If you remove the safety guard, always switch off the appliance beforehand and disconnect the mains plug.
- Choose a suitable base so that the device cannot tip over during operation!
- Do not place the device directly next to ovens or other sources of heat.
- Make sure that the power cord does not hang over sharp edges and keep it away from hot objects and open flames.
- Do not wrap the cable around the device and do not kink it.
- Do not direct the airflow to persons for a long time.

2. Intended Use

Intended Use

- Only use the devices as floor fans for indoor ventilation - in compliance with the technical data.

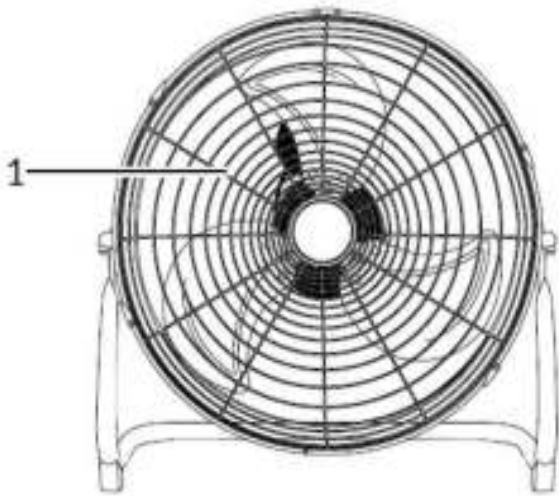
Improper use

- Do not place the device on wet or flooded ground.
- Do not place objects - such as clothing - on the device.
- Do not use the device outdoors.
- Any operation other than as described in this manual is prohibited. Non-observance renders all claims for liability and guarantee null and void.
- Any unauthorized modifications, alterations or structural changes to the device are forbidden.

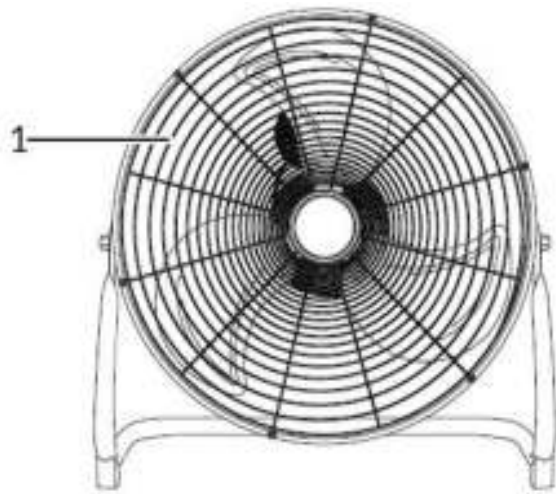
3. Technical specifications

| Model | AR-HE-BV1255C | AR-HE-BV1470C | AR-HE-BV18120C | AR-HE-BV20120S |
|---|--|--|--|--|
| Power input | 55 W | 70 W | 120 W | 120 W |
| Fan stages | 3 | 3 | 3 | 3 |
| Air velocity | 2.92 m/s | 3.2 m/s | 3.95 m/s | 4.25 m/s |
| Input voltage | 220-240 V; 50 Hz | 220-240 V; 50 Hz | 220-240 V; 50 Hz | 220-240 V; 50 Hz |
| Length Cable | 1.5 m | 1.5 m | 1.5 m | 1.5 m |
| Adjustable inclination angle | 100° | 100° | 110° | 360° |
| Sound pressure level (at 1 m distance, stage 3) | 58 dB(A) | 59 dB(A) | 65 dB(A) | 65 dB(A) |
| Fan blade | 11.81 in (30 cm) | 13.78 in (35 cm) | 17.72 in (45 cm) | 19.69 in (50 cm) |
| Dimensions (L x W x H) | 7.28 x 15.55 x 14.76 in (185 x 395 x 375 mm) | 6.89 x 17.32 x 17.13 in (175 x 440 x 435 mm) | 7.48 x 21.46 x 22.05 in (190 x 545 x 560 mm) | 8.07 x 23.03 x 22.64 in (205 x 585 x 575 mm) |
| Weight | 6.2 lbs (2.8 kg) | 6.6 lbs (3 kg) | 9.9 lbs (4.5 kg) | 11 lbs (5 kg) |

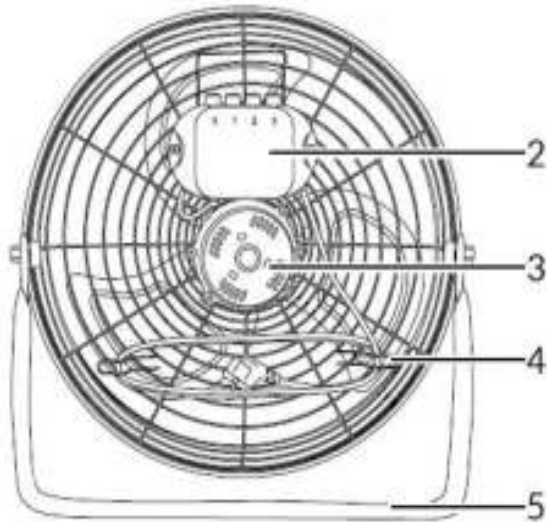
4. Overview



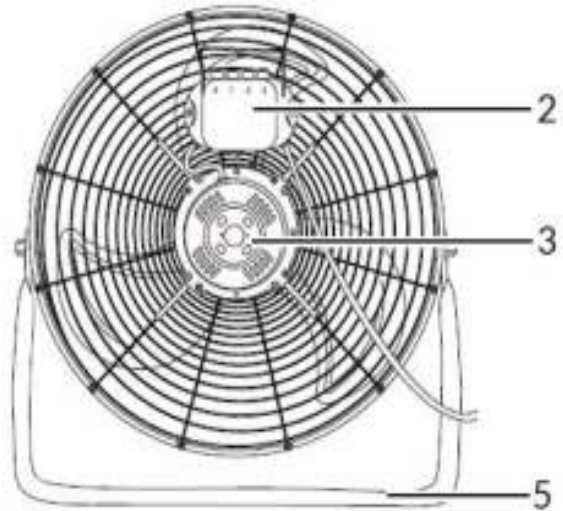
AR-HE-BV1255C / AR-HE-BV1470C / AR-HE-BV18120C



AR-HE-BV20120S



AR-HE-BV1255C / AR-HE-BV1470C / AR-HE-BV18120C



AR-HE-BV20120S

| Number | Description |
|--------|-------------------|
| 1 | Safety guard |
| 2 | Operating element |
| 3 | Motor |
| 4 | Cord wrap |
| 5 | Base |

5. Use

5.1 Unpack the device

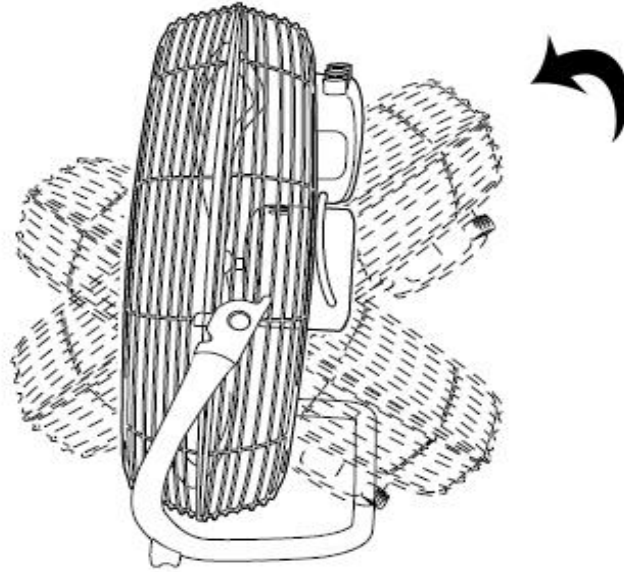
- Open the cardboard box and take out the device.
- Completely remove the packaging.
- Check the device for transport damage. Immediately report any damage to the transport company with which the fan was delivered.
- Fully unwind the power cable. Make sure the power cable is not damaged and that you do not damage it during unwinding.

5.2 Assembly

- The floor fan is delivered completely pre-assembled.

5.3 Adjust the inclination angle of the fan

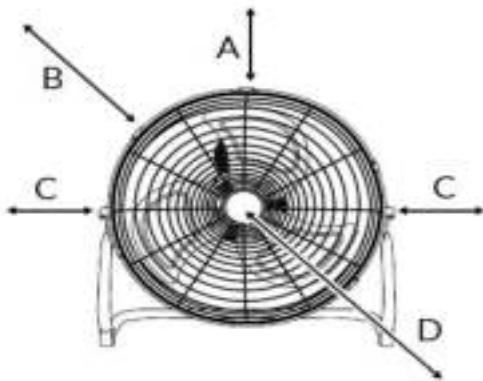
- The inclination angles of the fans can be adjusted manually.
 - Move the fan head forwards or backwards so that it either slides slightly forward or backward.
 - The inclination angle of the fan is set and the air flow concentrates on the selected inclination angle.



5.4 Commissioning

- When installing the device, observe the minimum distances to walls and objects (each 11.81 in).

Positioning



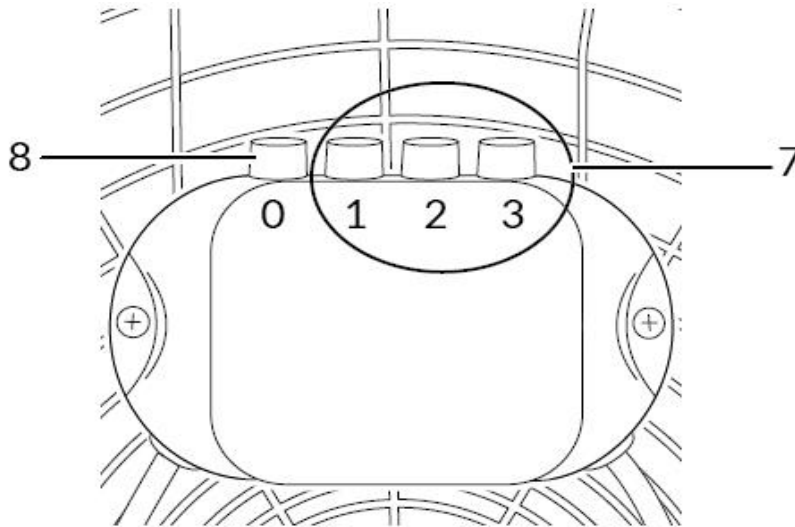
- A 11.81 in (30 cm)**
- B 11.81 in (30 cm)**
- C 11.81 in (30 cm)**
- D 11.81 in (30 cm)**

- Before restarting the device, check the condition of the power cord. If in doubt about its perfect condition, call for service.
- Set the device up in an upright and stable position.
- Avoid stumbling when laying the power cable or other electrical cables, especially when installing the device in the middle of the room. Use cable bridges.
- Make sure cable extensions are fully unrolled.
- Make sure that curtains or other objects do not obstruct the air flow.

5.5 Connect power cable

- Plug the power plug into a properly secured electrical outlet.

6. Operation



| Number | Description | Meaning |
|--------|--|---|
| 7 | Buttons ventilation level 1 2 3 | Fan speed: Stage 1 = low Stage 2 = medium Stage 3 = high |
| 8 | Button 0 | Switch off the device |

6.1 Switch on the device

- After you have set up the device ready for use, you can switch it on.
 - Press one of the ventilation level buttons (7).
The device changes to the selected ventilation level.

6.2 Decommissioning

- **Warning of electrical voltage**
Do not touch the power plug with wet or damp hands.
- Turn off the unit by pressing the button 0.
- Disconnect the power cord from the wall outlet by grasping the power plug.
- Clean the device according to the chapter "Cleaning and maintenance".
- Store the device according to the following chapter.

7. Transportation and storage

- If you store or transport the device improperly, the device may be damaged.
- Observe the information on transportation and storage of the device.

7.1 Transportation

- Observe the following notes **before** each transport:
 - Turn off the device.
 - Disconnect the power cord from the mains socket by grasping it by the mains plug.
 - Do not use the power cord as a pull cord.

- Observe the following notes **after** each transport:
 - Place the unit upright after each transport.

7.2 Storage

- Observe the following notes **before** each storage:
- Observe the following storage conditions when not using the device:
 - dry and protected from frost and heat.
 - in an upright position where it is protected from dust and direct sunlight.
 - with a cover to protect it from invasive dust if necessary.
 - Place no further devices or objects on top of the device to prevent it from being damaged.
 - always keep out of the reach of children.

8. Cleaning and maintenance

- No part of the fan should be submerged in water or other liquids: If this happens, do not immerse your hand in the liquid, but first disconnect the power plug from the mains socket. Dry the device carefully and make sure all electrical parts are dry: If in doubt, consult a specialist.
- It is essential to keep the ventilation holes of the motor free from dust and other contaminants.
- Be careful not to create excessive dust deposits on the air inlet and outlet safety guard and occasionally clean with a dry brush or a vacuum cleaner.

8.1 Activities before maintenance

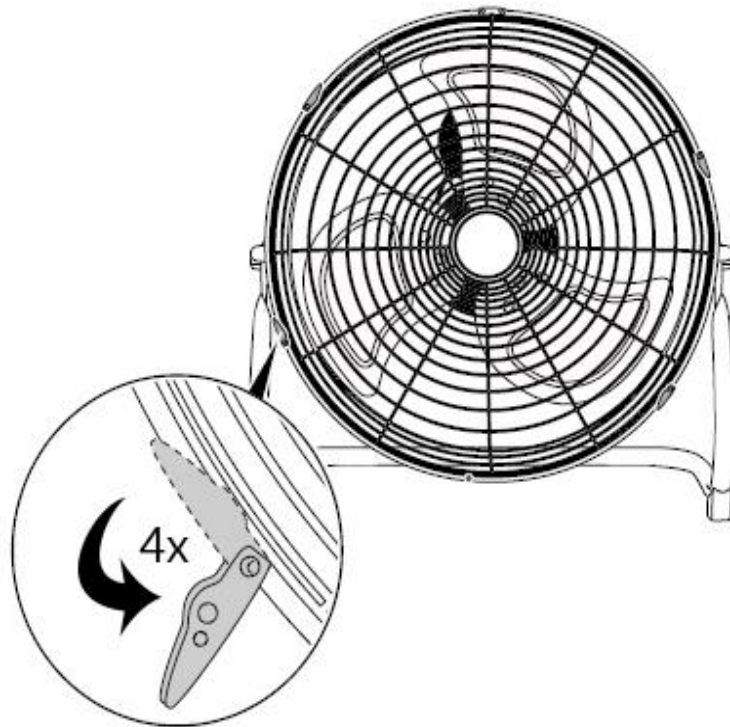
- **Warning of electrical voltage!**
Do not touch the power plug with wet or damp hands.
- Turn off the device.
- Disconnect the power cord from the wall outlet by grasping the power plug.

8.2 Clean the housing

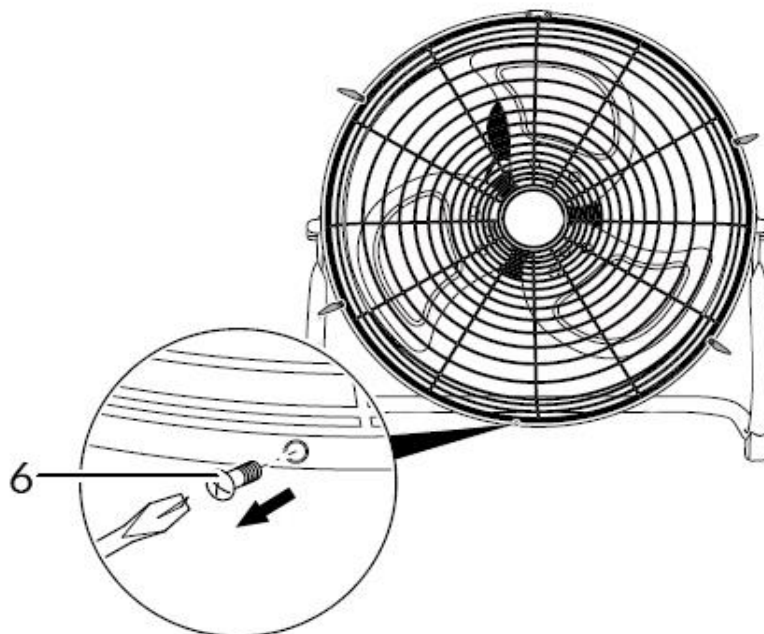
- Clean the housing with a damp, soft, lint-free cloth. Make sure that no moisture penetrates into the housing. Make sure that no moisture can come into contact with electrical components. Do not use aggressive cleaning agents, such as cleaning sprays, solvents, alcoholic cleaners or scourers to moisten the cloth.

8.3 Remove safety guard

- To clean the fan blades in accordance with this chapter, remove the safety guard as described below. The device **AR-HE-BV20120S** has no mounting bracket, here it is sufficient to solve only the connecting screw (6).
- The device is switched off
- The power cord is unplugged from the wall outlet.
 - Open the four fixing clips on the safety guard.



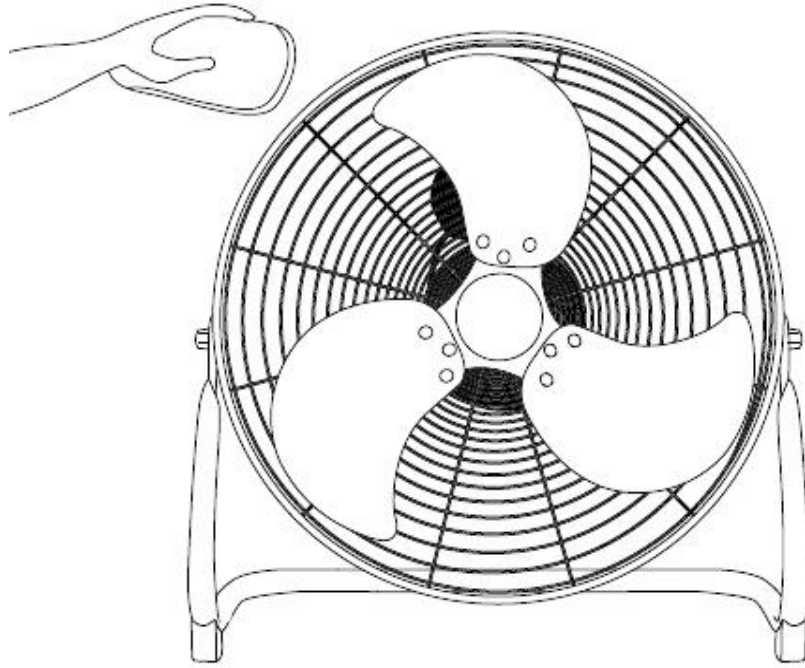
- Loosen the connecting screw (6) below the safety guard.



- To secure the safety guard back to the fan, attach the connecting screw (6) and close the four fixing clips.

8.4 Clean fan blades

- The device is switched off.
- The power cord is unplugged from the wall outlet.
 - Remove the safety guard according to the instructions described above.
 - Clean the fan blades with a damp, soft, lint-free cloth. Make sure that no moisture penetrates into the housing. Make sure that no moisture can come into contact with electrical components. Do not use aggressive cleaning agents, such as cleaning sprays, solvents, alcoholic cleaners or scourers to moisten the cloth.



9. Errors and faults

- The device was repeatedly tested during production for proper function. Should malfunctions nevertheless occur, then check the device according to this list.

9.1 The device does not start

- Check the power connection.
- Check the power cable and mains plug for damages.
- Check the on-site fusing.
- Wait 10 minutes before restarting the device. If the device is not starting, have the electrics checked by a qualified specialist.

9.2 The fan does not start

- Check whether the device is switched on.
- Check the power supply and see whether the plug or cable is defective.

9.3 The device is loud and vibrates

- Check whether the device is set up in a stable and upright position.
- Verify that the device is properly assembled.
- **Note:** Wait at least 3 minutes after all maintenance and repair work. After 3 minutes switch on the device again.

9.4 Your device still does not operate correctly after these checks?

- Please contact the customer service. If necessary, bring the device to an authorized electrical specialist for repair.

9.5 Behaviour in the event of an emergency

- Switch off the device.
- In case of emergency, disconnect the device from the mains supply:
 - Hold onto the mains plug while pulling the power cable out of the mains socket.
- Do not reconnect a defective device to the mains.

10. Environmentally friendly disposal

10.1 Disposal and packaging

- The packaging of your unit consists of materials that are necessary to guarantee effective protection during transport. These materials are fully recyclable and therefore reduce the environmental impact. Dispose of the packaging in a bin for recyclable materials.

10.2 Disposal of old equipment

- Old appliances must be disposed of in accordance with the guidelines and regulations of the local waste disposal authority. Check with your local administration for the address of the nearest recycling centre and deliver your appliance there.



The symbol of the crossed-out dustbin on a Waste electrical or electronic equipment indicates that it must not be disposed of with household waste at the end of its life. Collection points for waste electrical and electronic equipment are available free of charge in your area. You can obtain the addresses from your city or local government. You can find out about other return options created by us on our website www.arebos.de.



The separate collection of Waste electrical or electronic equipment is intended to enable the reuse, recycling or other forms of recovery of Waste electrical or electronic equipment and to avoid the negative consequences of disposal on the environment and human health.

Our customer service number: Tel. +44 (0) 208 068 5604

Fax: +49 (0) 931 4523 2799 / E-Mail: info@arebos.de

Canbolat Vertriebs GmbH • Gneisenastraße 10-11 • 97074 Würzburg

EU Declaration of Conformity

We,

Canbolat Vertriebs GmbH, Gneisenaustraße 10-11, 97074 Würzburg, Germany,

Hereby declare that the product named below, seen its design and construction as well as according to our sales, has been complied with the relevant and basic health and safety EU-requirements.

| | | | | |
|--------------------|-------------------|-------------------|-------------------|-------------------|
| Productname | Floor fan 12 inch | Floor fan 14 inch | Floor fan 18 inch | Floor fan 20 inch |
| Article No. | 4260551583360 | 4260551583186 | 4260551583162 | 4260551583179 |
| Model No. | AR-HE-BV1255C | AR-HE-BV1470C | AR-HE-BV18120C | AR-HE-BV20120S |

If the device is modified without our consent, this declaration of conformity loses its validity.

Directives

This device complies with the following EU/EC directives:

2014/30/ EU EMC Directive

2014/35/ EU Low Voltage Directive

Date/Manufacturer Signature/Location:

Würzburg, 05.02.2019



Signature:

Dipl.-Inform. (Univ.) Korhan Canbolat, Managing Director

Representative of these instructions for use/technical data:

Dipl.-Inform. (Univ.) Korhan Canbolat, Managing Director

Office address:

Canbolat Vertriebs GmbH

Gneisenaustraße 10-11

D-97074 Würzburg

Return address can be found in the imprint: <https://www.arebos.de/impressum/>

VAT identification number: DE 263752326

Court of the Commercial Register is Würzburg, HRB 10082

WEEE Reg.-No. DE 61617071