

⚠ WARNING

- Do not use hair glitter or hair chalk on eyelashes or eyes. Cosmetics should be used on head hair ONLY or the hair of the included doll.
- AVOID CONTACT WITH EYES, MOUTH AND FACE. In case of contact with the eyes, rinse immediately with plenty of water and seek medical advice if necessary. Cosmetics are for external use only.
- Do not ingest. If swallowed, wash out mouth with water and drink some fresh water. Do not induce vomiting. Seek immediate medical advice.
- These cosmetics are laboratory tested and safe for use as recommended. As with all cosmetics, some individual skin types may experience minor skin irritation. If this occurs, discontinue use and consult a physician if necessary.
- Not for children under 3 years. Keep out of reach of very young children.
- USE UNDER ADULT SUPERVISION. Adult supervision is required when children are playing with water.
- Use as directed in these instructions.
- Do not sit or stand on the playset.

IMPORTANT INFORMATION

- The hair glitter and hair chalk included in this playset are to be used ONLY on the child's head hair or the hair of the included doll. Not recommended for use on any other type of doll.
- Color transfer from pigments may occur. Wash hands thoroughly before and after use.
- Hair glitter and hair chalk may damage or stain certain fabrics, carpeting, wood finishes or other porous and polished surfaces. Protect or cover any play surface before using.
- Keep hair glitter and hair chalk away from clothing and other surfaces, as pigment transfer may occur.
- Wear a protective layer over your clothing to prevent possible color transfer.
- Wash contents with water. Use a damp cloth to wipe clean. Then, air dry thoroughly in a well-ventilated area.
- Do not leave contents in the sun or in very hot areas.
- Remove cosmetics from your hair or your doll's hair with warm water. Always remove cosmetics from hair after playing.
- Hair glitter is for decoration only.
- Remove face mask after playing. Do not leave mask on doll for a long period of time, as the adhesive may not be completely removed.
- Do not apply face mask to other surfaces, as it may not be completely removed.
- Use a dry towel to dry off the hair and air dry only. Do not dry hair with a hair dryer or subject hair to very high heat in any manner, as it will irreparably damage the hair.
- Before beginning, cover the play area to protect from possible water damage.
- Do not place the doll in extremely hot water (over 109.4°F/43°C).
- Do not store the doll in direct sunlight for extended periods of time.
- Exposure to sunlight may deactivate color change feature.
- Thoroughly drain the doll on a dry towel in a well-ventilated area after use and before storing.
- Air dry the doll and hair only. Do not place in the dryer or subject to excessive heat.
- Keep moisture away from the battery compartment.
- Remove the protective sticker from both mirrors before playing.
- Avoid bending the bigger mirror backward.

SAFE BATTERY USAGE

- Use alkaline batteries for best performance and longer life.
- Use only the battery type recommended for the unit.
- Batteries should be replaced only by an adult.
- Insert batteries with the correct polarity (+ and -).
- Do not mix old and new batteries.
- Do not mix alkaline, standard (carbon-zinc), or rechargeable batteries.
- Do not short-circuit batteries.
- When not used for an extended time, remove batteries to prevent possible leakage and damage to the unit.
- Do not mix rechargeable and non-rechargeable batteries.
- Rechargeable batteries are to be removed from the toy before charging.
- Rechargeable batteries are to be recharged only under adult supervision.
- Do not recharge non-rechargeable batteries.
- Exhausted batteries are to be removed from the toy.
- Do not dispose of batteries in fire as they may leak or explode.

CAN ICES-3 (B)/NMB-3(B).



'Let's care for the environment!'

The wheelie bin symbol indicates that the product must not be disposed of with other household waste. Please use designated collection points or recycling facilities when disposing of the item. Do not treat old batteries as household waste. Take them to a designated recycling facility.

Please keep this manual as it contains important information.



0620-0-E/INT
Printed in China

MGA Entertainment, Inc.
9220 Winnetka Ave. Chatsworth, CA 91311 U.S.A.
(800) 222-4685

MGA Entertainment UK Ltd.
50 Presley Way, Crownhill, Milton Keynes,
MK8 0ES, Bucks, UK
+ 0800 521 558

www.LOLsurprise.com
©2020 MGA Entertainment, Inc.
L.O.L. SURPRISE!™ is a trademark of MGA in the U.S. and other countries. All logos, names, characters, likenesses, images, slogans, and packaging appearance are the property of MGA.

The preferred method of contact for Customer Service is through our e-mail contact form at www.mgae.com

MGA Entertainment (Netherlands) B.V.
Baronie 68-70, 2404 XG Alphen a/d Rijn, The Netherlands
Tel: +31 (0) 172 758038
E-mail: klantenservice@mgae.com

Imported by MGA Entertainment Australia Pty Ltd
Suite 2.02, 32 Delhi Road
Macquarie Park NSW 2113
1300 059 676



AGES 3+

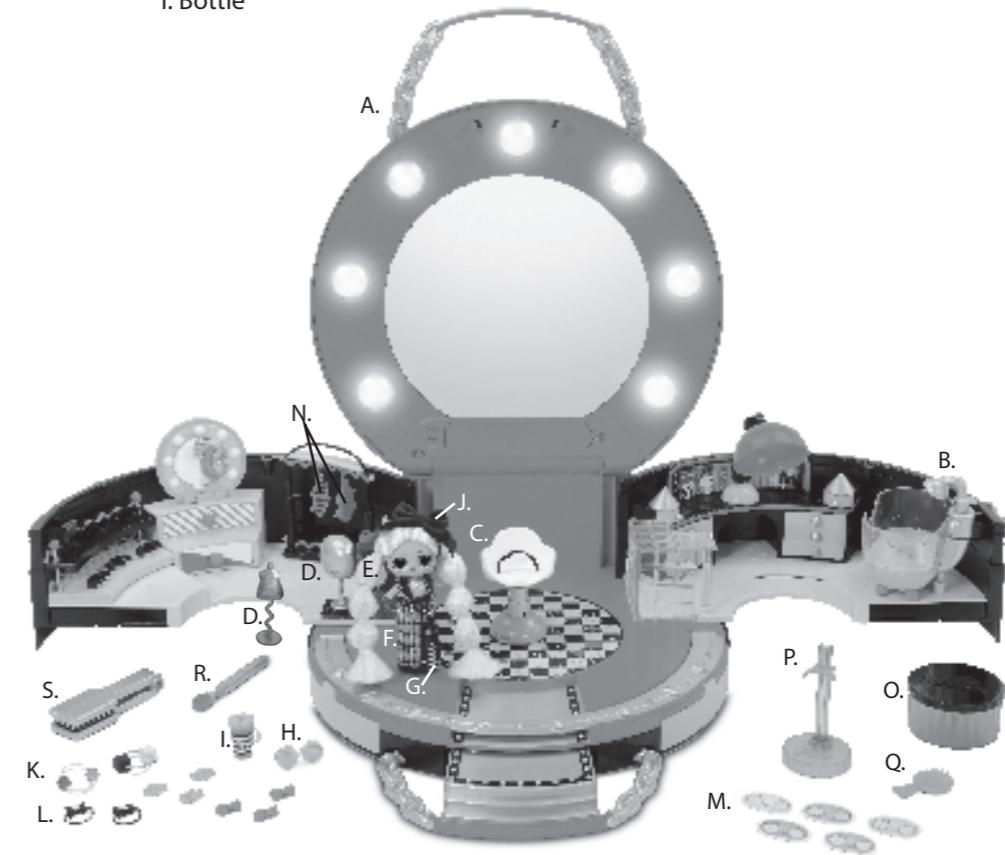


SKU: 571322

ADULT SUPERVISION REQUIRED
ADULT BATTERY INSTALLATION REQUIRED

CONTENTS

- | | | | | |
|-----------------------|------------------|------------------------|--------------|-----------------|
| A. Hair Salon Playset | E. Doll | J. Bow Hair Piece | N. 4 Hangers | R. Hair Glitter |
| B. Bathtub | F. Outfit | K. 12 Hair Accessories | O. Hat Box | S. Hair Chalk |
| C. Salon Chair | G. Pair of Shoes | L. 6 Hair Ties | P. Stand | |
| D. 2 Mannequins | H. Glasses | M. 5 Face Masks | Q. Brush | |
| | I. Bottle | | | |

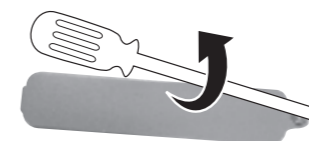
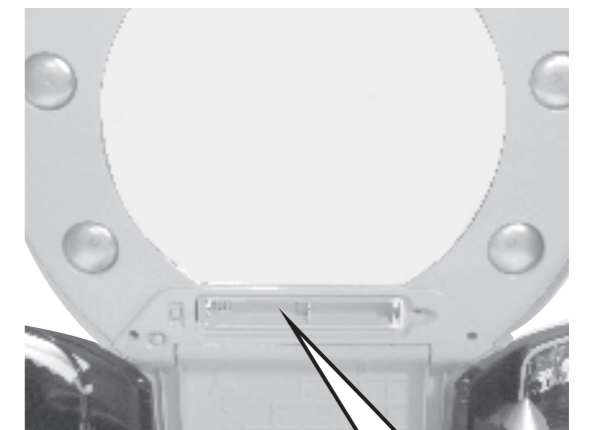


Illustrations are for reference only. Styles may vary from actual contents.

BATTERY INSTALLATION

Before beginning, an adult must install fresh alkaline batteries. Here's how:

1. Using a Phillips screwdriver (not included), remove the screw and battery compartment cover located below the mirror.
2. Install two (2) fresh 1.5V AA (LR6) alkaline batteries (not included) making sure the (+) and (-) ends face the proper direction as indicated inside the battery compartment.
3. Replace the compartment cover and tighten the screw.



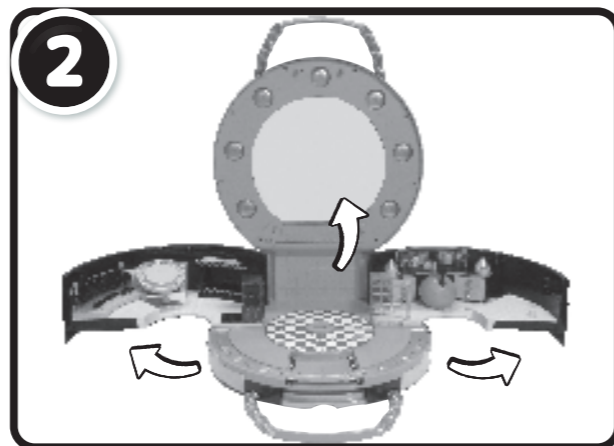
2 x AA Batteries



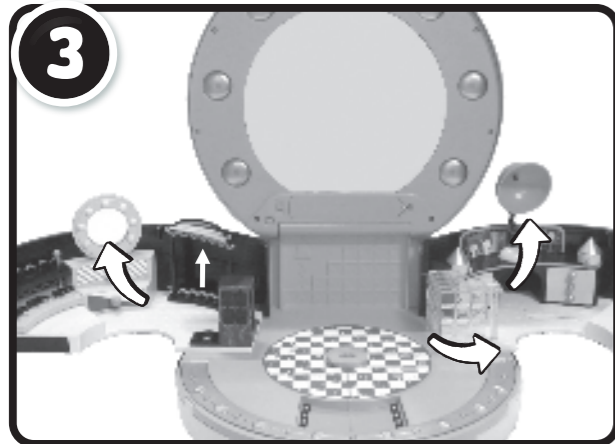
YOUR PLAYSET



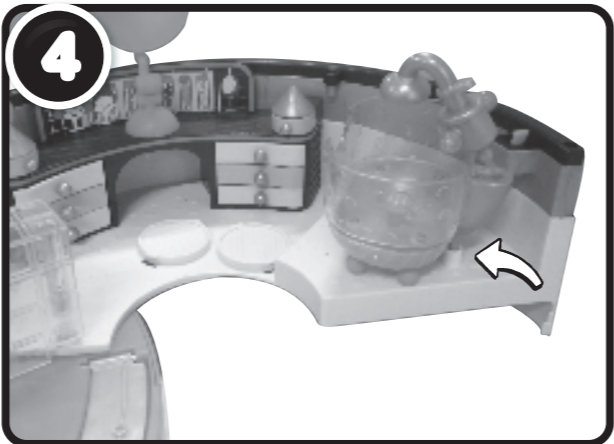
1 Lay the purse flat, and pull both zippers to the side to open the Hair Salon.



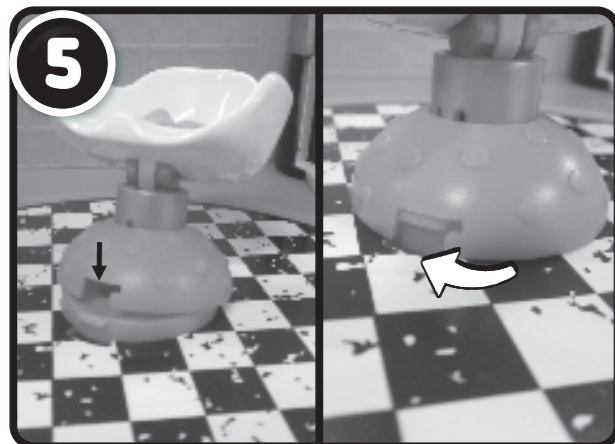
2 Lift up the top of the purse to reveal a mirror. Slide out the sides of the purse to reveal the style station, closet and makeover station!



3 Lift up the mirror on the makeover station, pull up on the clothing rack in the closet, and lift up the hair dryer in the style station. Reception's desk can also slide out for added fun!



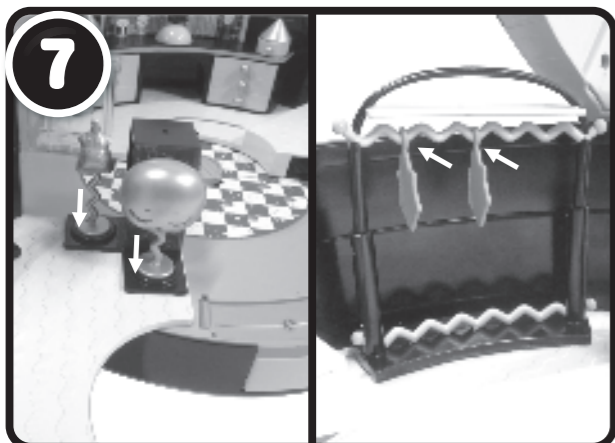
4 Insert the peg on the back of the sink into the opening in the floor of the style station.



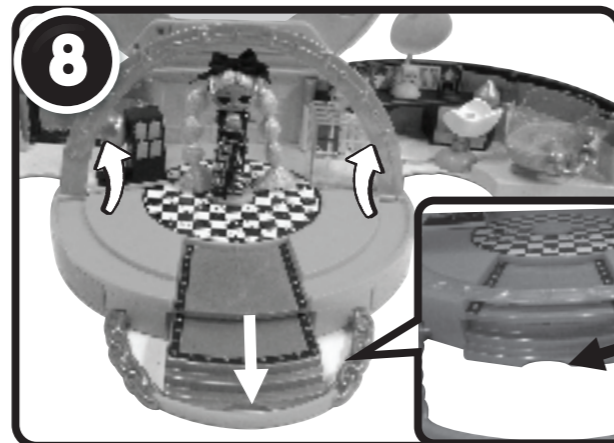
5 Place the salon chair in front of the style station, sink or the middle of the runway. To attach, place the chair over the platform and align the tab on the platform with the groove on the chair base. Then, twist to lock in place.



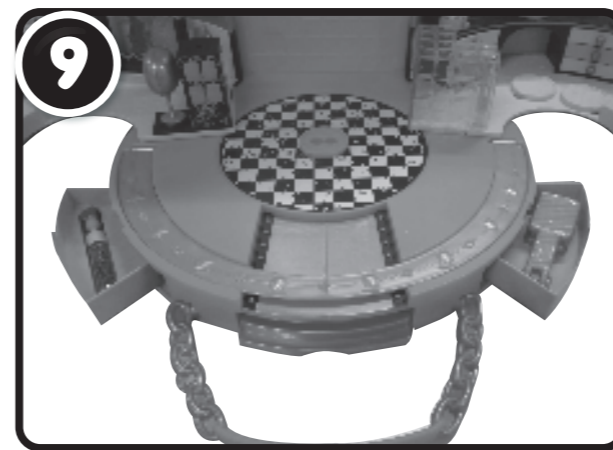
6 Place the doll's legs through the belt on the chair to keep the doll secure in the chair.



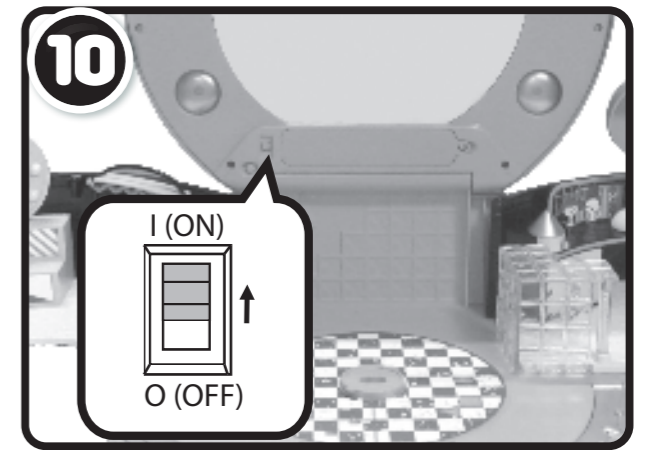
7 Insert the mannequins into the openings in the closet to store your fashion accessories. Hang the hangers on the clothing rack.



8 To set up for a fashion show, lift the stage bar. Then, use the groove on the bottom of the stairs to pull it out.

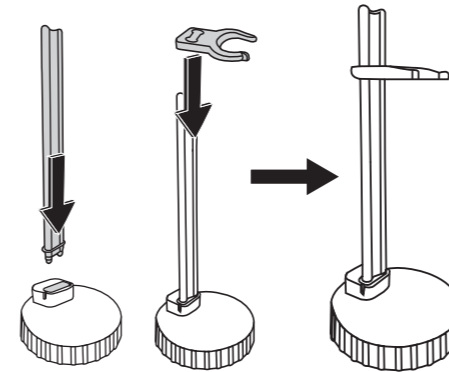


9 Pull out the storage containers on the sides of the fashion show area to store hair glitter and hair chalk.

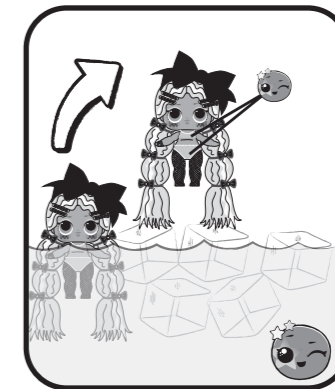


10 Move the switch on the large mirror to the ON (I) position. Before storing, move the switch to the OFF (O) position to conserve battery power.

DOLL STAND ASSEMBLY



DOLL'S FEATURES



COLOR-CHANGE

- Cold color change will start at approximately 59°F (15°C), but best results occur if the ice water is chilled to approximately 32°F (0°C) or colder.
- Color change will only work on certain parts of the doll's body or accessories. Not all included accessories change color.
- If color change does not work properly or quickly, the temperature of the doll's body may be too close to the temperature of the water.
- Color change temperatures may vary according to weather conditions.
- The color-change effect of the doll's body has a lengthy, but limited lifespan.
- Hair does not change color.

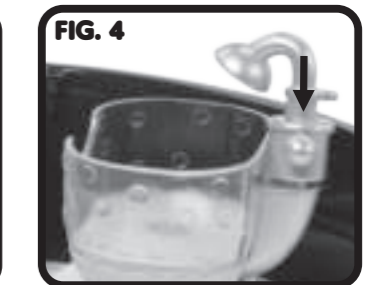
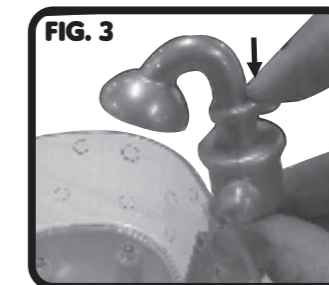
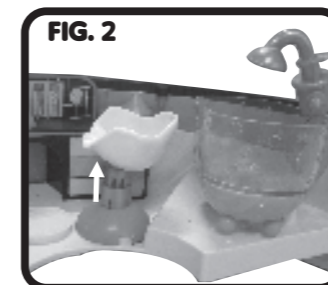
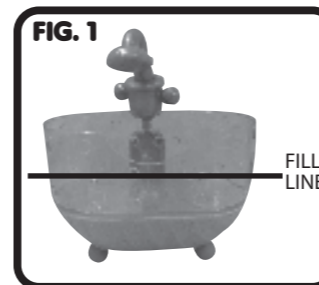
HAIR MAKEOVER

Before beginning, cover the play area and put a protective layer over your clothing to prevent possible damage. Remove any protective seals over the cosmetics before use.

IMPORTANT NOTE:

Because all children's hair is not identical, color cosmetic results may vary. Prior to fully using this product, it is advised that you test the chalk and glitter by applying to a small portion of hair in an inconspicuous area, allowing it to air dry, then washing the hair. Several washings may be required to ensure the desired result of complete color removal.

1. Select a small section of your hair or the doll's hair, and place it between the plates of the applicator with the chalk on the top side of the hair. Remove the hair ties from the doll before applying the hair chalk.
2. Hold the applicator at the root of the hair, clamp it over the section of hair and firmly pull down to the bottom of the strand. Then, release the hair from the applicator. Repeat as necessary for desired results.
3. Twist off the glitter applicator from the tube and apply glitter to your hair! Allow the hair glitter to dry fully.
4. Style the doll's hair with the included hair clips.
5. To rinse out the doll's hair, fill the bathtub up to the fill line with water (Fig. 1).
6. Slide up the salon chair until you hear a click and attach the salon chair close to the bathtub (Fig. 2). Then, place your doll in the chair with her hair in the bathtub. Peel off the backing, and place a sticker face mask over your doll's face for the full salon effect!
7. Press the pump on the bathtub repeatedly to rinse out the hair chalk and glitter from her hair (Fig. 3). Use your hands to help remove the cosmetics from her hair.
8. To remove cosmetics from your hair, rinse with water thoroughly. Use mild shampoo if necessary.



CLOSING THE SALON:

1. Remove the bathtub and empty all water. Pump out any water from the faucet. Dry thoroughly before storing. When replacing into the playset, unhook the faucet from the back of the bathtub and allow it to lean inside the bathtub (Fig. 5).
2. Lower the stage bar and slide in the stairs.
3. Lower the hair dryer and the mirror. Push down on the clothing rack to collapse it.
4. Place any accessories in the drawers on the style station and closet areas. Store the gel and hair chalk in the drawers on the sides of the runway, and push them in fully to close them.
5. Fold in the sides of the purse, and lower the large mirror top.
6. Pull the zippers in to secure the purse in the closed position. Playset turns into a carrying case!

