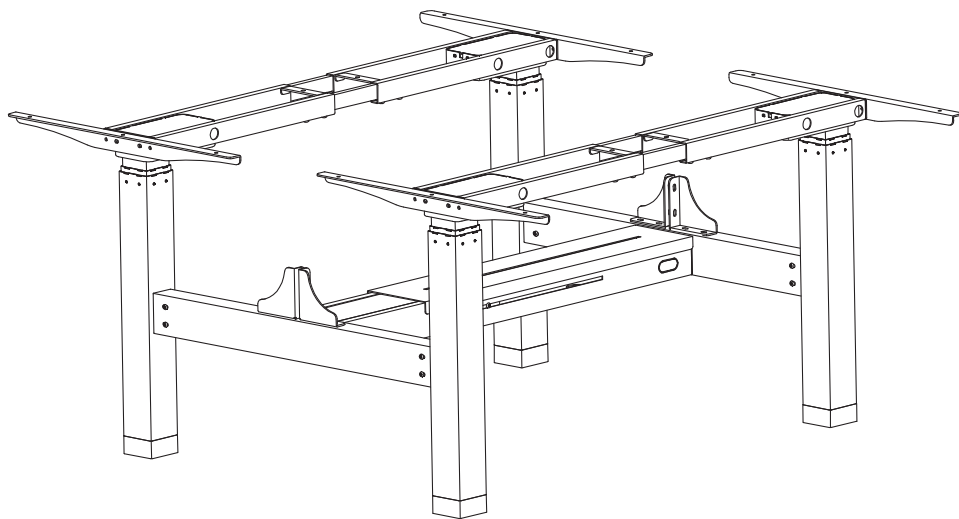


ERGO Face to Face Electric Sit-Stand Desk Frame



INSTALLATION MANUAL

SAFETY INSTRUCTIONS

1. Keep all electrical components away from liquids.

There is a risk of injury and electric shock.

2. Keep children away from electric height adjustable desks, control units and memory controller. There is a risk of injury and electric shock.
3. People who do not have the knowledge of the product or have reduced physical or mental abilities can't use the product. Unless they are under surveillance or they have been thoroughly instructed in the use of the apparatus.

4. Before trouble shooting

- Stop the desk legs.
- Switch off the power supply and pull out the mains plug.
- Remove everything from the desk top which might contribute weight.

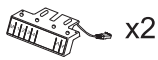
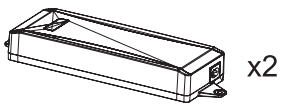
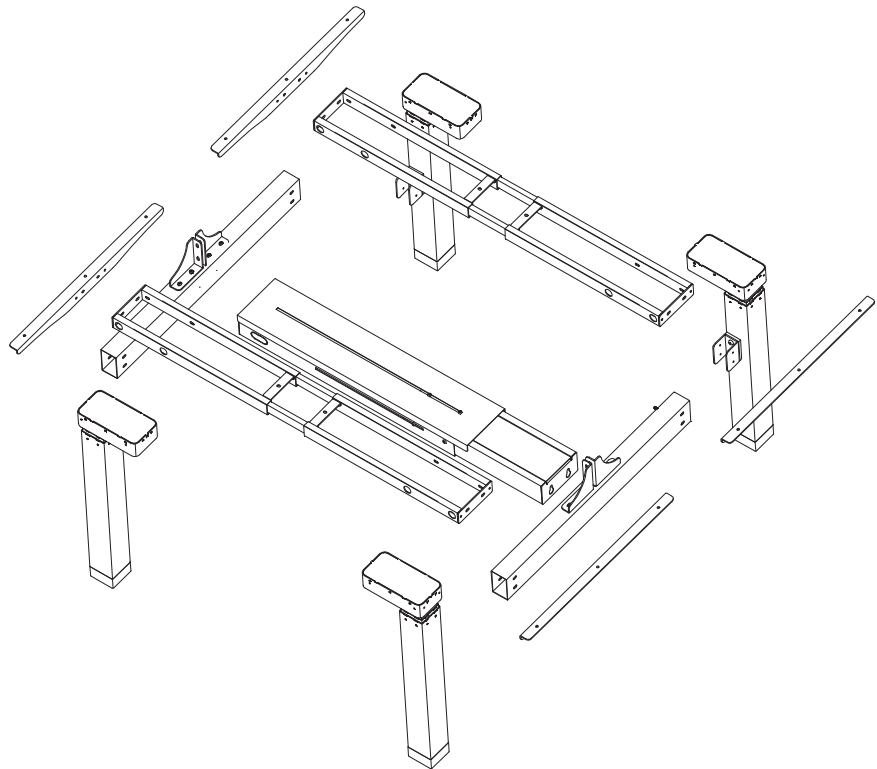
5. Before start-up:

- Make sure that the power supply is between 110v and 240v before plugging the control box into it.
- The individual parts must be connected before the control box is connected to the main power supply.

6. During operation:

- If the control box makes unusual noises or smells, switch off the main power immediately.
- Take care that the cables are not damaged.
- Unplug the main power cable on mobile equipment before it is moved.

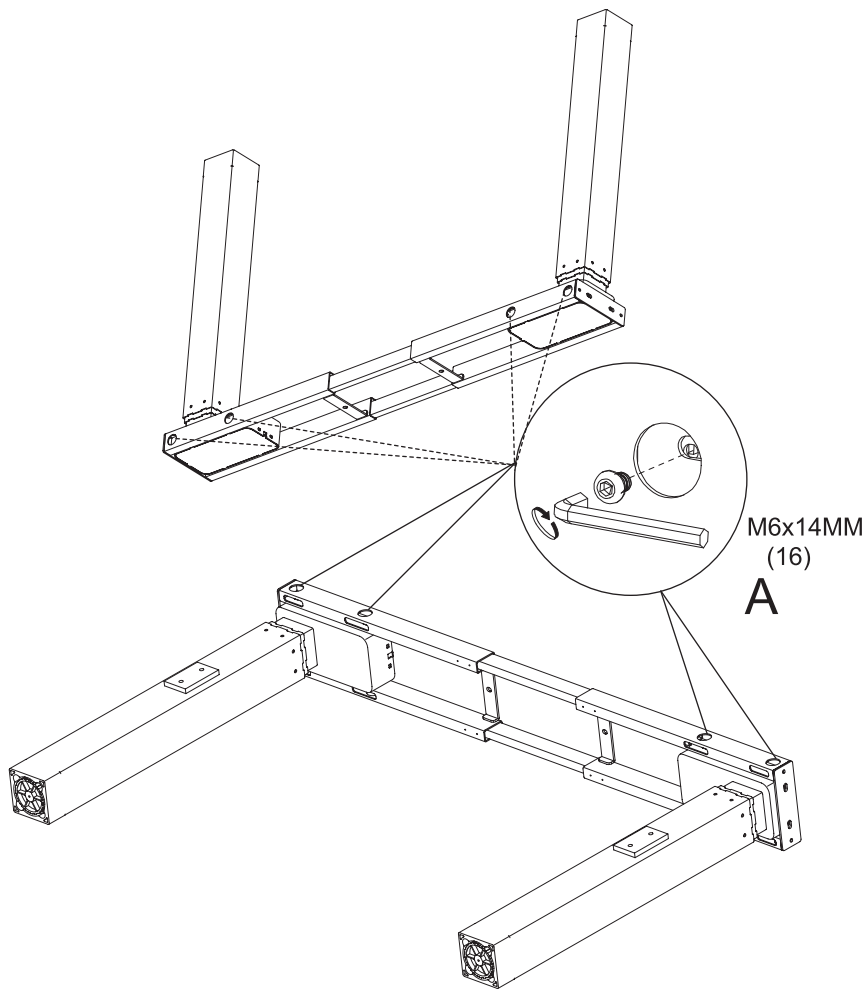
Exploded Drawing:



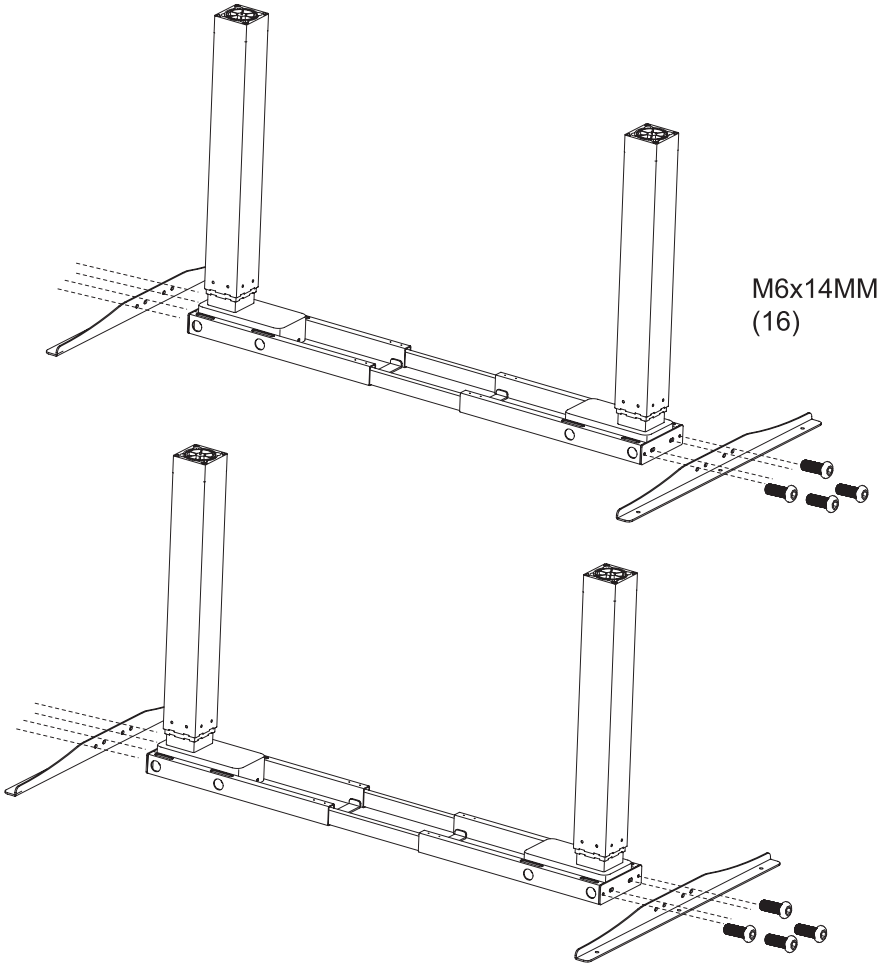
Installation Accessories

A M6x14 (66)	B M8x10 (10)	C Ø8.5x16 x1.0MM (10)	D ST3.5x19 (6)	E Rubber Gaskets (10)	F ST4.8x19(20)	G 4mm(2)	H 5mm(2)	I Cable Ties (8)	J M6X20(16)

2. Assembly the motor height adjustable legs.

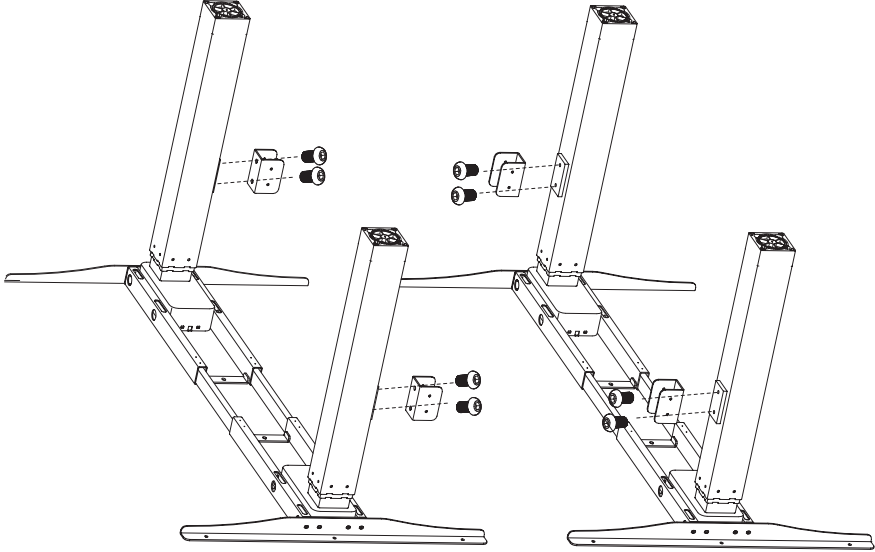


3. Assembly top side brackets together.

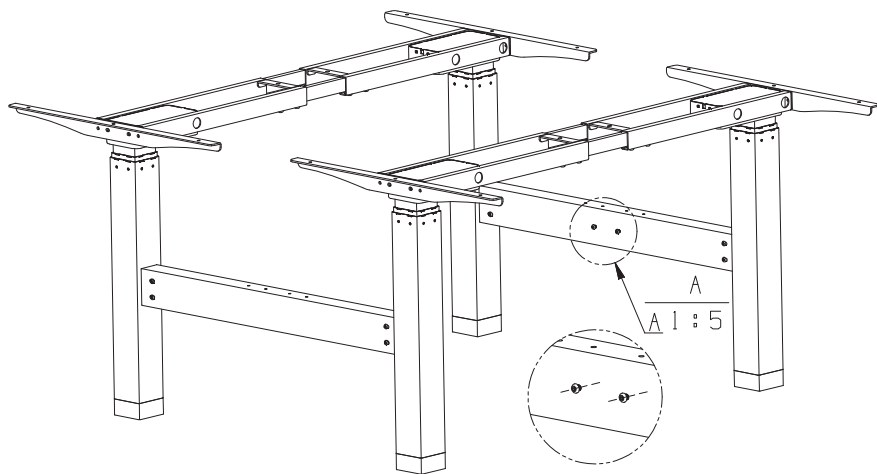


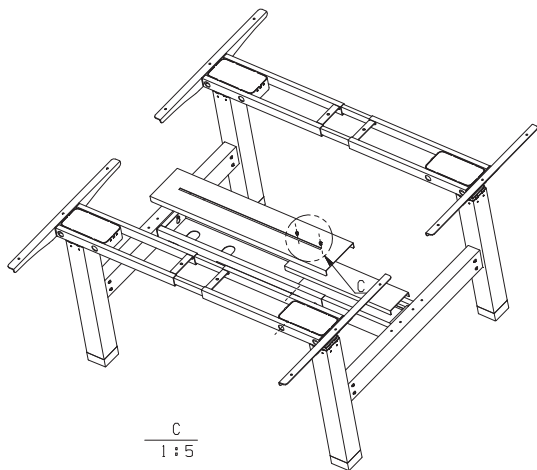
4. Assembly the middle inner fix brackets on four legs

M8x10MM
(8)

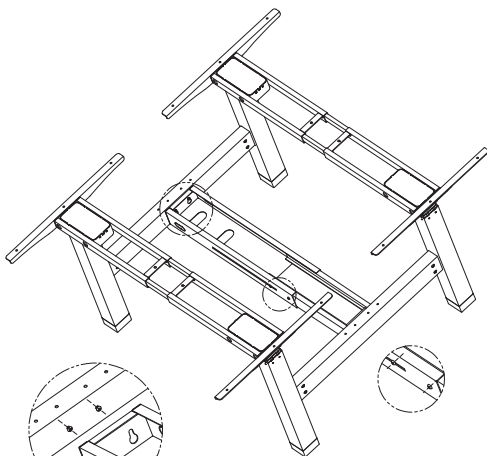
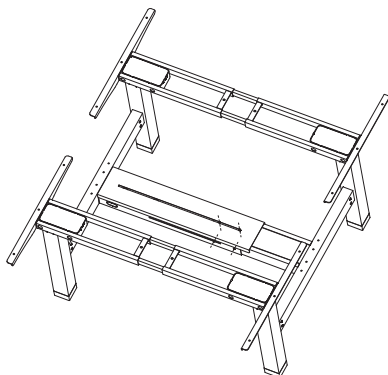
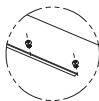


5. Fix the two horizontal tubes through the holes on middle brackets accordingly.



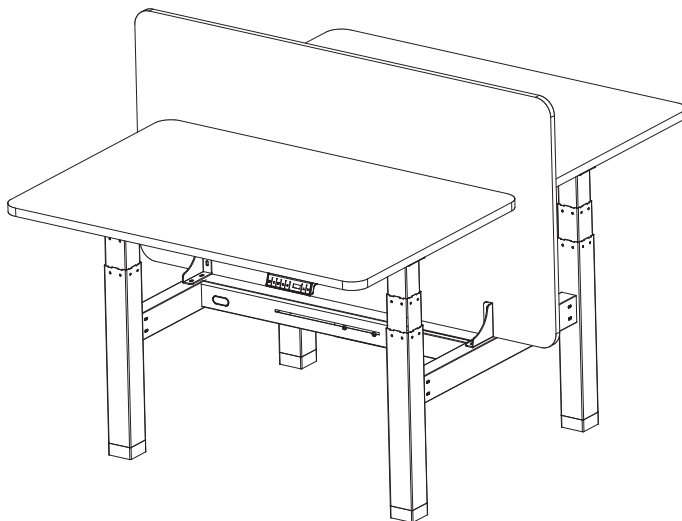
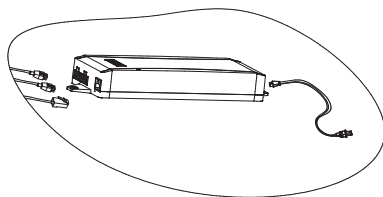
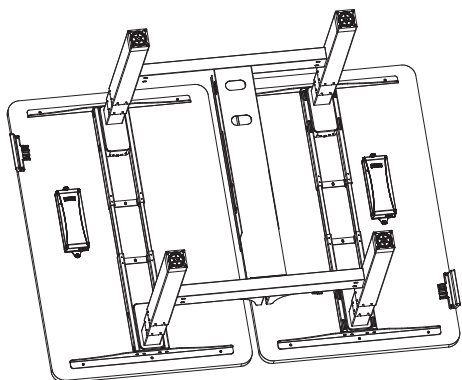


$\frac{C}{1:5}$

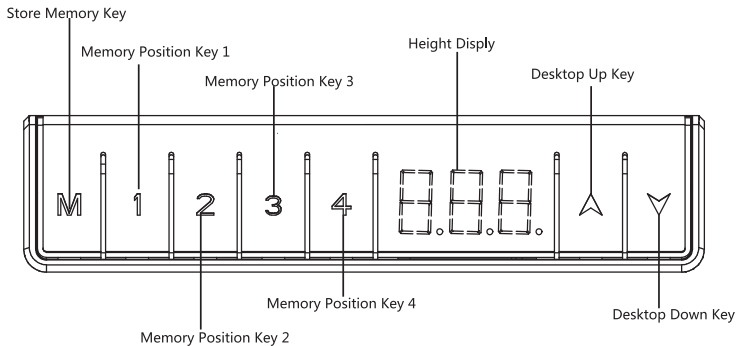


6. Fix the controller and hand control panel on the proper position and connect the cables correctly.

Install the desktop and Screen, we suggest you to install the desktop in right side up, drawing below of installation step just for you see the details clearly.



Digital Memory Controller



1. Reset Procedure

IMPORTANT: You must reset the desk prior the use.

Make sure no obstacles are in the desk's path.

Make sure the desktop is not touching any walls.

Make sure all cords are appropriate length to accommodate the change in height.

- Press the "▲" and "▼" at the same time for 3 seconds , until the display shows "RES", and the system will make a sound beep , reset is complete.
- If the Position of desktop is not at the lowest height. Please press the "▲" and "▼" at the same time until the desk reaches its lowest height, and the system will make a sound of beep, reset is complete.

2. Storing a Position

You can use this function to adjust the desktop to a saved height with 4 positions. If you are switching on the control unit for the first time, all the saved position are set to the lowest desktop height, to change to a saved position proceed as follows:

- Press the UP or DOWN key to adjust the desktop to the desired height, the display will show the desktop height.

- M** b. Press and hold the "M" Key for 3s until the numbers on the display started flashing.
- 1** c. Press memory position Key 1 to save the desk position in memory.
- 1111** d. The display will read "P 1" the memory position number you saved.
- The other position may be stored in the same way.
 - The desk base can be adjusted by pressing and holding either the UP or DOWN button until the desired height is reached.
 - To program up to four presets : Use the up/down buttons to find a desired height, then press "M" followed by a number 1 - 4.

CAUTION: Once a preset button is pushed, the desk will move to the programmed height.

3. Switch the unit between CM and Inch

The height unit can be switched between CM and Inch, check the proceed as follows:

- a. Press the "**M**" and "**1**" at the same time for 3 seconds.
- b. Display started flashing and read "C-E".
- c. Press the "**1**" within 10 seconds, the display show "C", and switched the unit to CM; Press the "**2**", the display show "E", and switched the unit to "inch".
- d. The display stopped flashing, and the switch is complete.

4. SETTING THE LED RETRACTED HEIGHT

Press the DOWN button on the memory controller until the frame reaches its lowest position. Measure the height of the frame from the floor and if the number on the LED display does not match your measurement, follow these steps:

- a. Press and hold the DOWN button (about 5 seconds) until the LED displays the flashing starting height.
- b. Press the UP or DOWN button to increase or decrease the height (1 unit / click).
- c. Then press "M" and stop flashing, your desk is now ready to use.

Note: the LED display has a ± 0.1 tolerance.

5. Anti-collision strength rating setting

The system has anti-collision function in 3 strength rating of L2, L3, L4, and strength of L2 is the lightest, and gradually increasing till to L4, the ex-factory anti-collision strength rating settings is L3. Please note L1 is no anti-collision function. See below to set anti-collision function strength rating. Press "M" and "2" at the same time for 3 seconds and digital controller displays "---", then press "2", it displays L2, the strength rating of L2 is set, waiting the controller shows height, the setting is completed. The same operation set L3, L4, L1.

6. Specifications

Tube Material	Steel
Expandable desk frame	41.3" - 63.0" / 105 - 160cm
Frame Adjustable Height	25.4"- 51.0" / 64.5 - 129.5cm
Depth of desk frame	22.6" / 57.4cm
Load Capacity	265 lb / 120kg
Speed	1.5" / s , 3.8mm / s

7. Trouble Shooting

Below are the possible errors which can be displayed. The errors will only be displayed when a button is pressed.

Error code	Description	Resolve
E01	Lifting speed of two legs are not able to sync or HALL signal failure	Confirm that all wired connections are secure (legs to cables, cables to control box).
E04	Leg 1 has overload, over-current protection	Remove everything from the desktop and perform the reset procedure outlined in the Digital Memory Controller section. (better to hold for 18 minutes)
E08	Leg 2 has overload, over-current protection	Remove everything from the desktop and perform the reset procedure outlined in the Digital Memory Controller section. (better to hold for 18 minutes)
E10	Leg 1 has collided and rebounded	The desk will automatically stop and bounce back 2 cm. Perform the reset procedure outlined in the Digital Memory Controller section
E20	Leg 2 has collided and rebounded	The desk will automatically stop and bounce back 2 cm. Perform the reset procedure outlined in the Digital Memory Controller section
HOT	Over heating protection	Hold for 18 minutes to restart

If the error message persists after the reset procedure, please contact seller.