

home

for quality home and office furniture

piranha® STONECAT ASSEMBLY INSTRUCTIONS

Please read this guide carefully and check that you have all parts before you begin assembly. As a thank you for your purchase, we would like to offer you a 10% discount* off our range of matching furniture on www.homeinonline.com with voucher code **10%MATCH**.

Need help with your item or unhappy?

If you have **ANY** questions, please do not hesitate to email us on info@homeinonline.com and we will do our very best to help. You can also contact us via our website www.homeinonline.com



TWO PEOPLE RECOMMENDED

PC71 (STONECAT)

General Care:

Keep furniture out of direct sunlight. Use mats and coasters to protect surfaces.
Do not place hot or wet items directly onto unprotected surfaces.

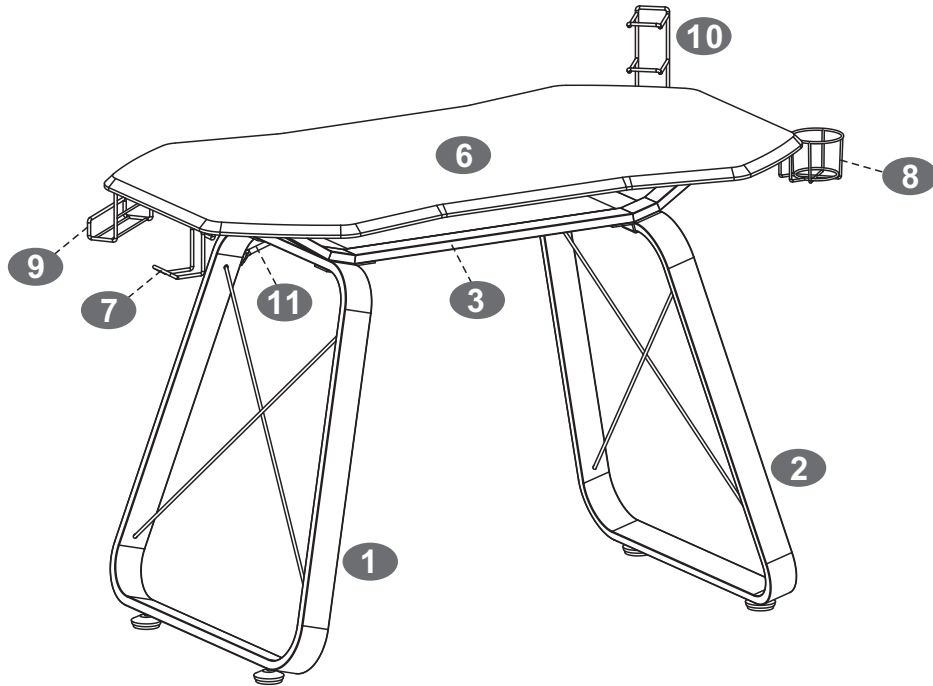
Cleaning:

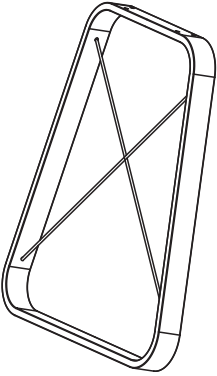
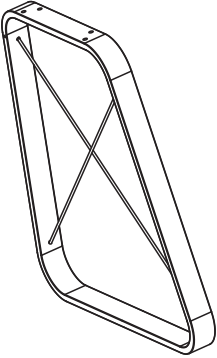



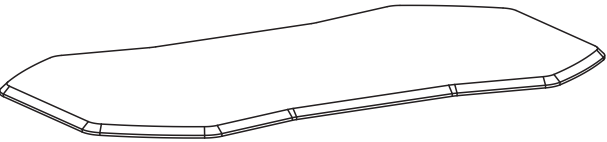
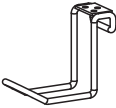

Wipe surfaces with a clean damp (not wet) cloth then dry with a clean lint free cotton cloth.
Glass surfaces may be polished with window or other glass cleaning liquids.

Please retain cartons until assembled as goods MUST be returned in original packaging.

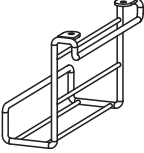
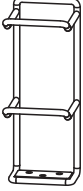
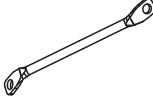



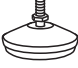


■ PARTS LIST



<p>1</p>  <p>X1</p>	<p>2</p>  <p>X1</p>	<p>3</p>  <p>X1</p>
		<p>4</p>  <p>X1</p>
		<p>5</p>  <p>X1</p>
<p>6</p>  <p>X1</p>	<p>7</p>  <p>X1</p>	<p>8</p>  <p>X1</p>



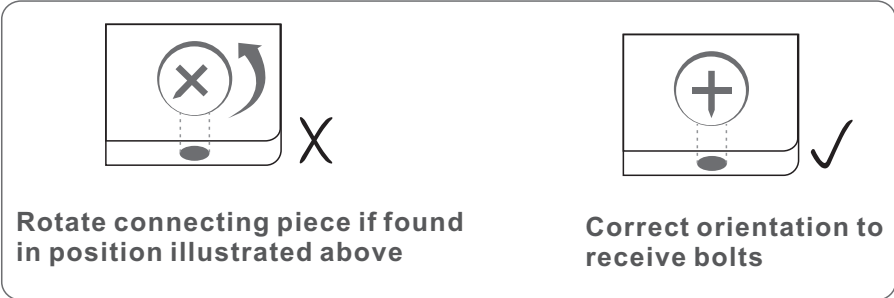
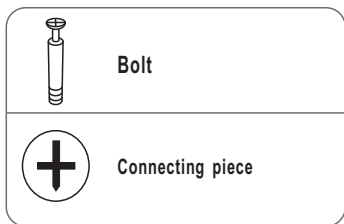
 <p>9</p> <p>X1</p>	 <p>10</p> <p>X1</p>	 <p>11</p> <p>X1</p>	 <p>12</p> <p>X1</p>
 <p>13</p> <p>X2</p>	 <p>14</p> <p>X2</p>	 <p>15</p> <p>X4</p>	



▪SCREWS LIST

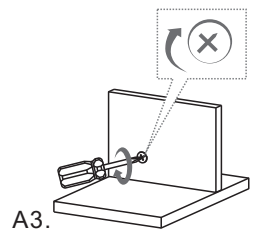
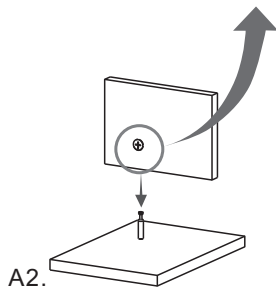
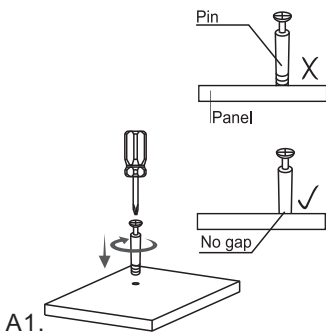
PART	QTY.	ITEM		PART	QTY.	ITEM	
A	12	6X15 MM		F	20	Φ 10 MM	
B	4	6X25 MM			1	M 4	
C	8	6X30 MM			1		
D	11	4X14 MM			1		
E	4	6X40 MM					

6X40MM BOLT INSTALLATION AS BELOW:

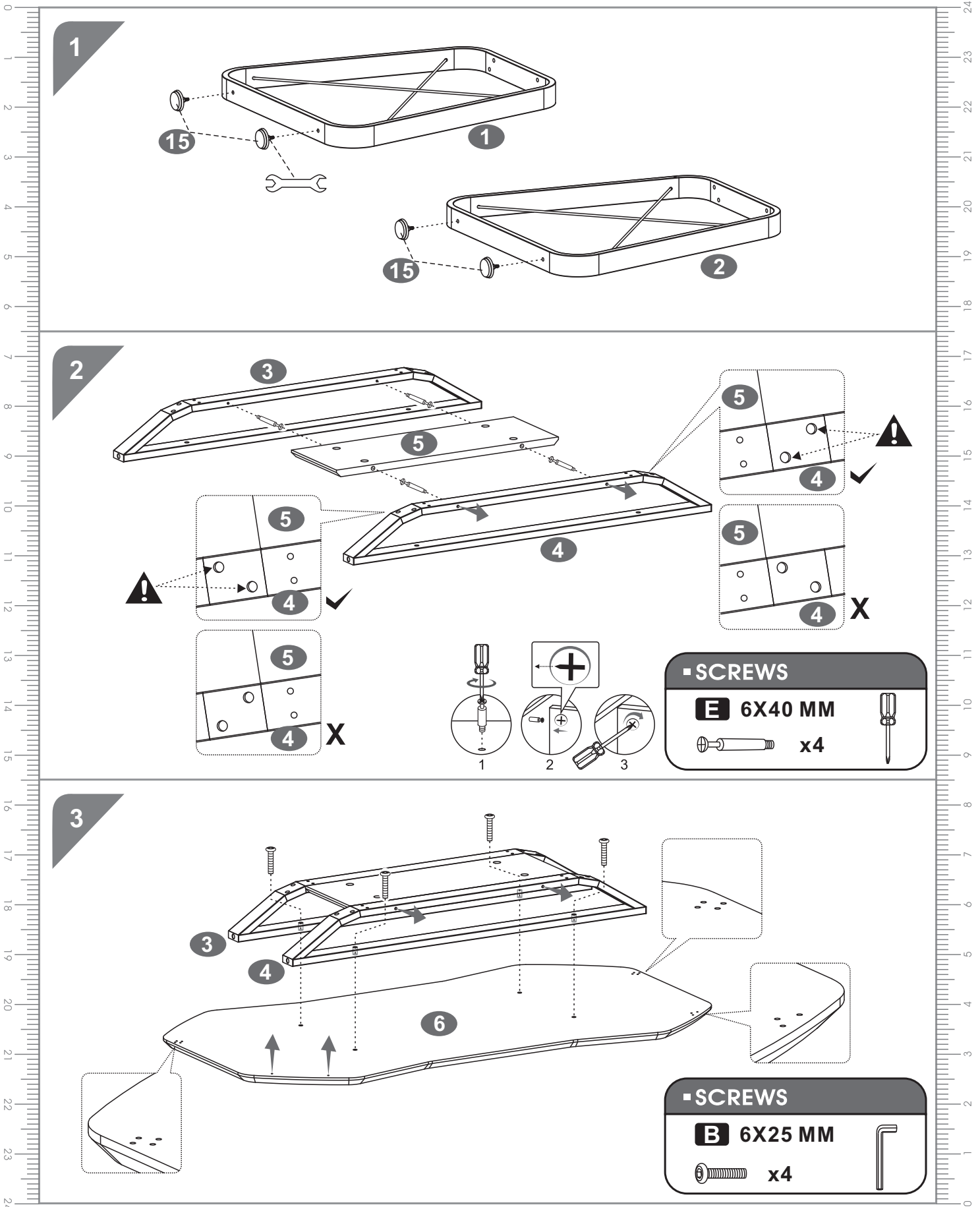


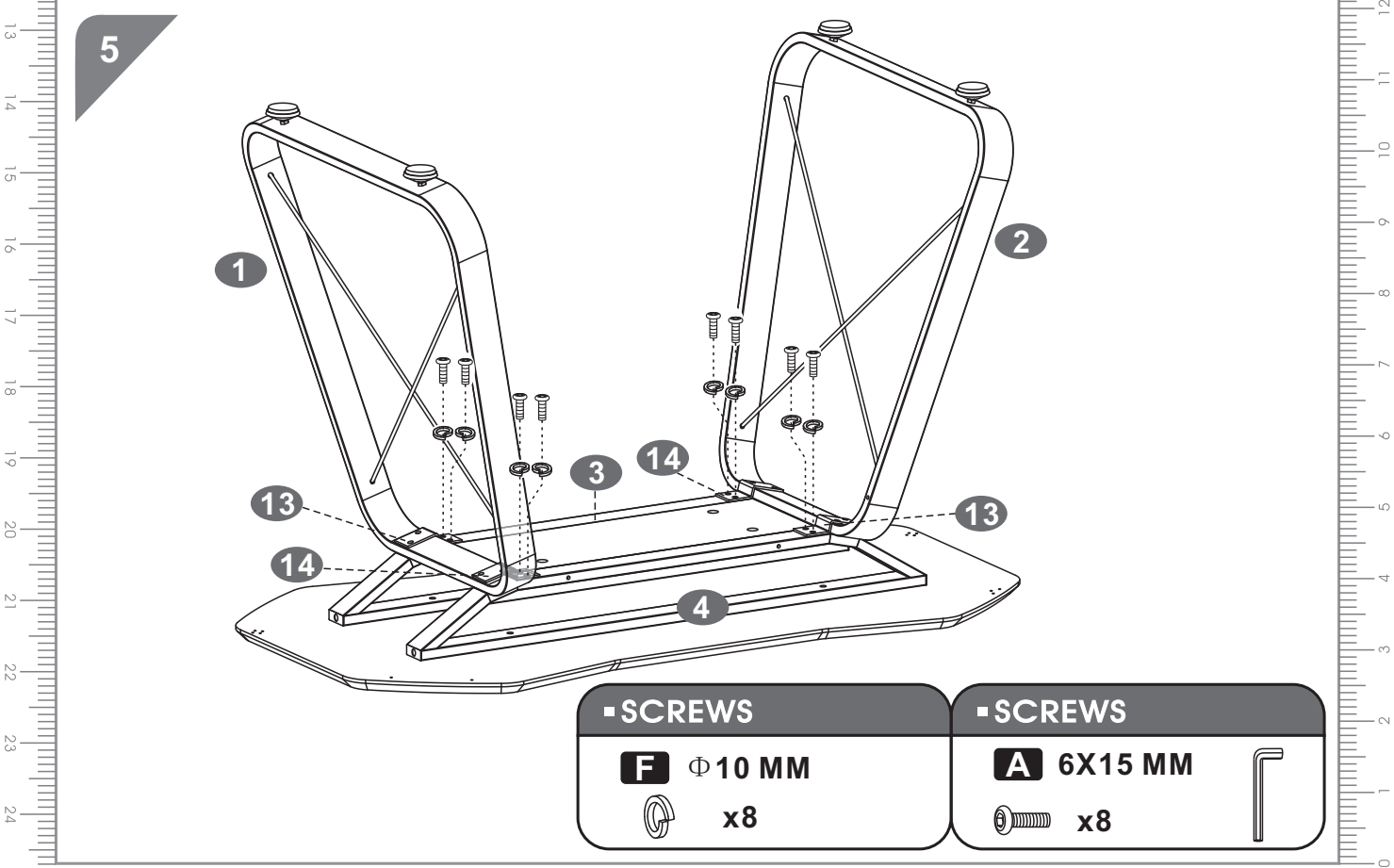
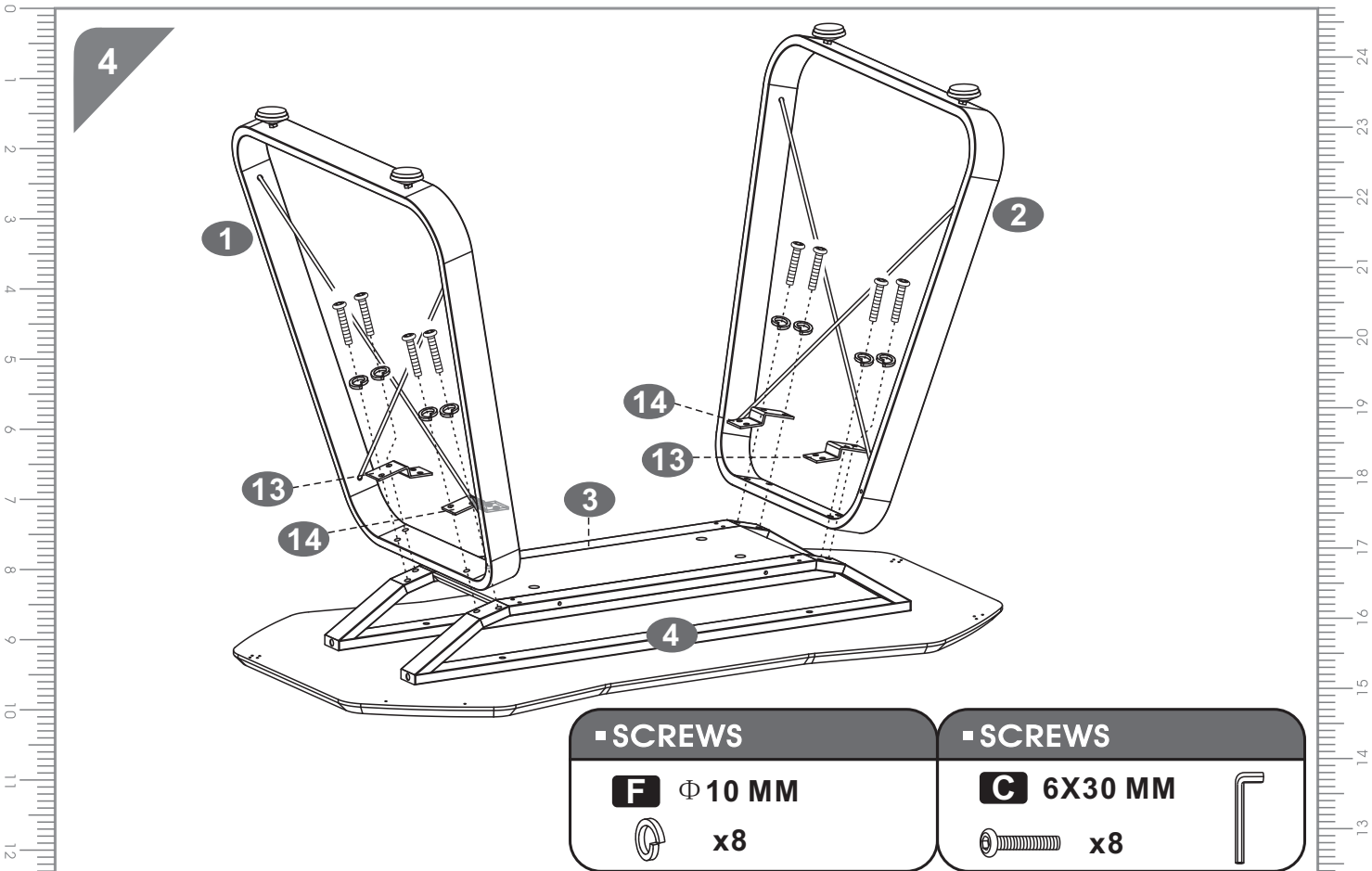
Rotate connecting piece if found in position illustrated above

Correct orientation to receive bolts

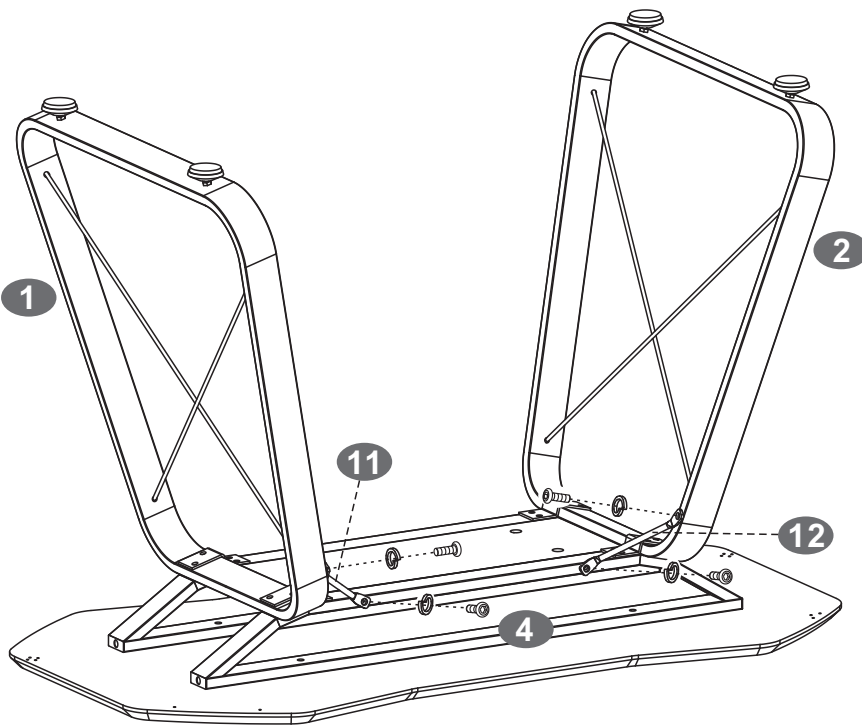


■ ASSEMBLY STEPS:





6



■ SCREWS

F Φ 10 MM
x4

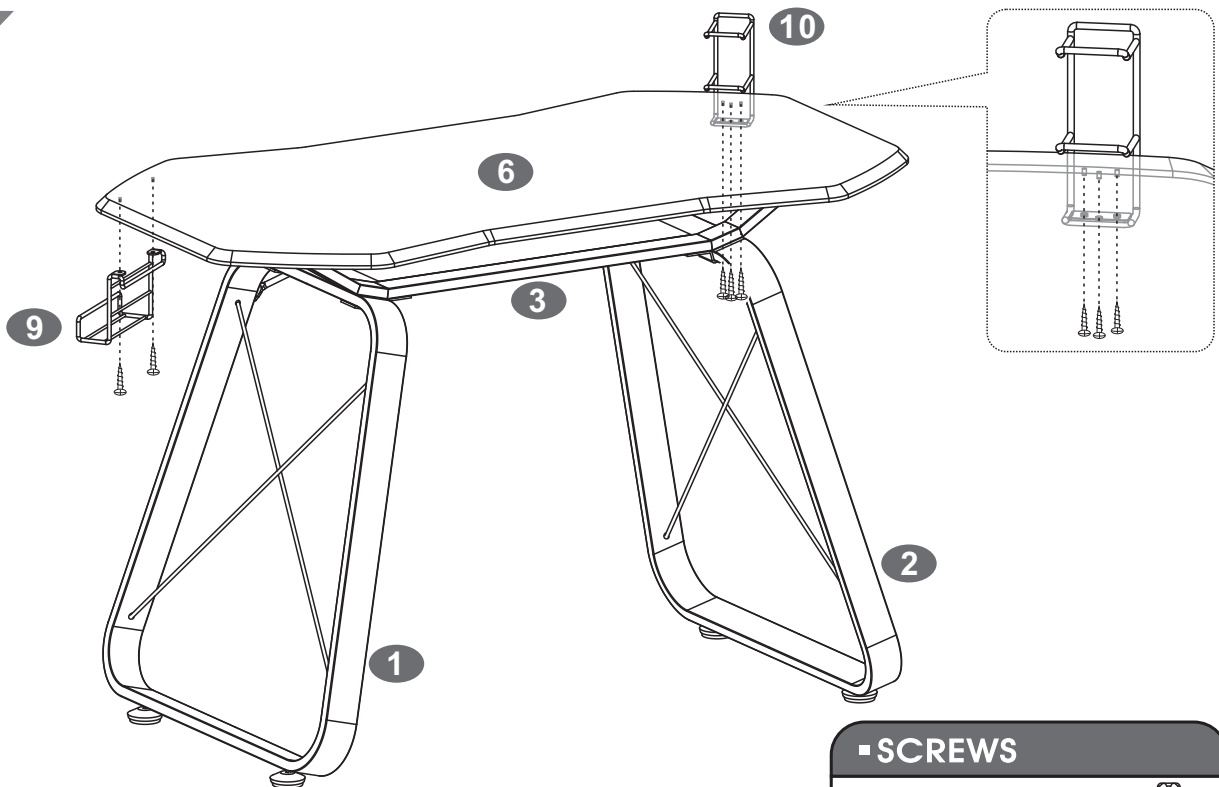


■ SCREWS

A 6X15 MM
x4



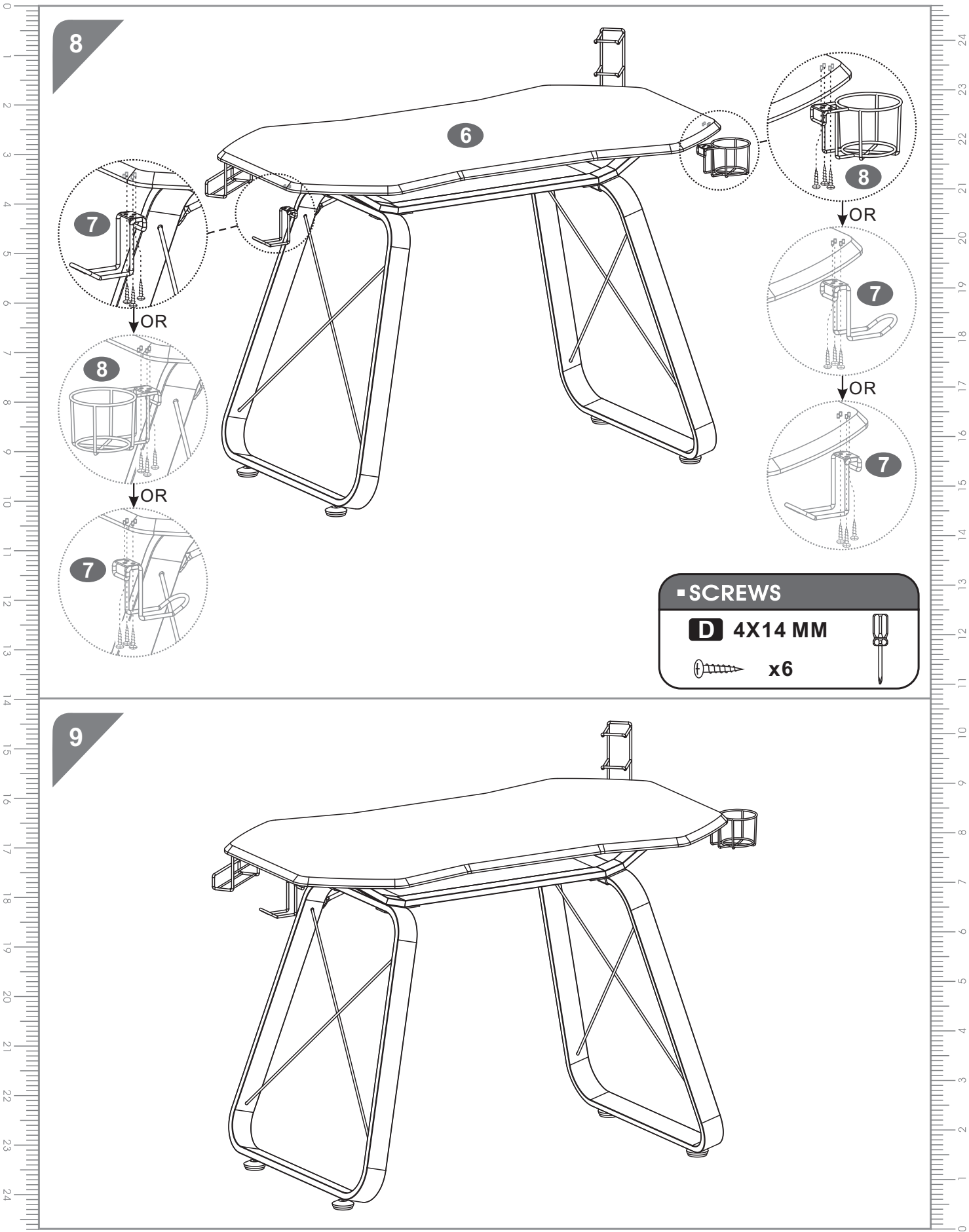
7



■ SCREWS

D 4X14 MM
x5





8

6

7

OR

8

OR

7

8

OR

7

OR

7

SCREWS

D 4X14 MM

x6

9