

# home

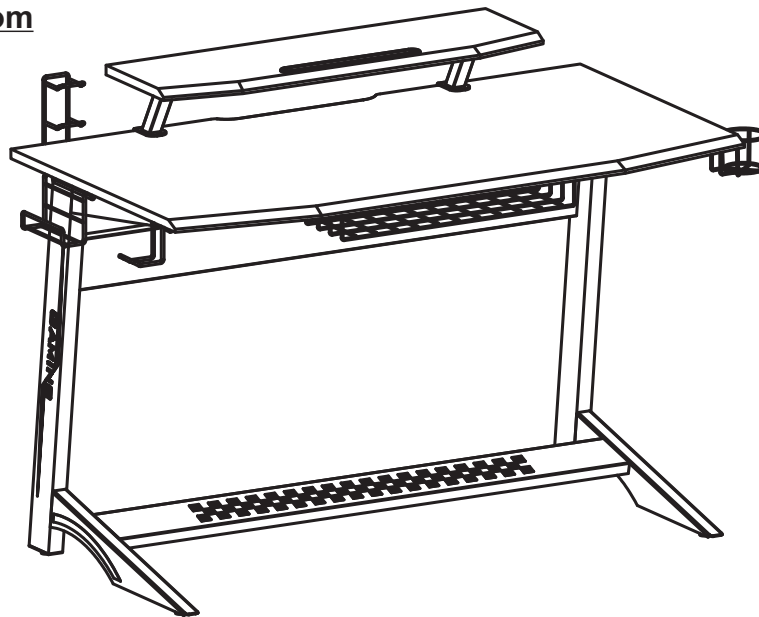
for quality home and office furniture

## piranha<sup>®</sup> CHINOOK ASSEMBLY INSTRUCTIONS

Please read this guide carefully and check that you have all parts before you begin assembly. As a thank you for your purchase, we would like to offer you a 10% discount\* off our range of matching furniture on [www.homeinonline.com](http://www.homeinonline.com) with voucher code **10%MATCH**.

### Need help with your item or unhappy?

If you have **ANY** questions, please do not hesitate to email us on [info@homeinonline.com](mailto:info@homeinonline.com) and we will do our very best to help. You can also contact us via our website [www.homeinonline.com](http://www.homeinonline.com)



**TWO PEOPLE RECOMMENDED**

**PC70 (CHINOOK)**

#### **General Care:**

Keep furniture out of direct sunlight. Use mats and coasters to protect surfaces.  
Do not place hot or wet items directly onto unprotected surfaces.

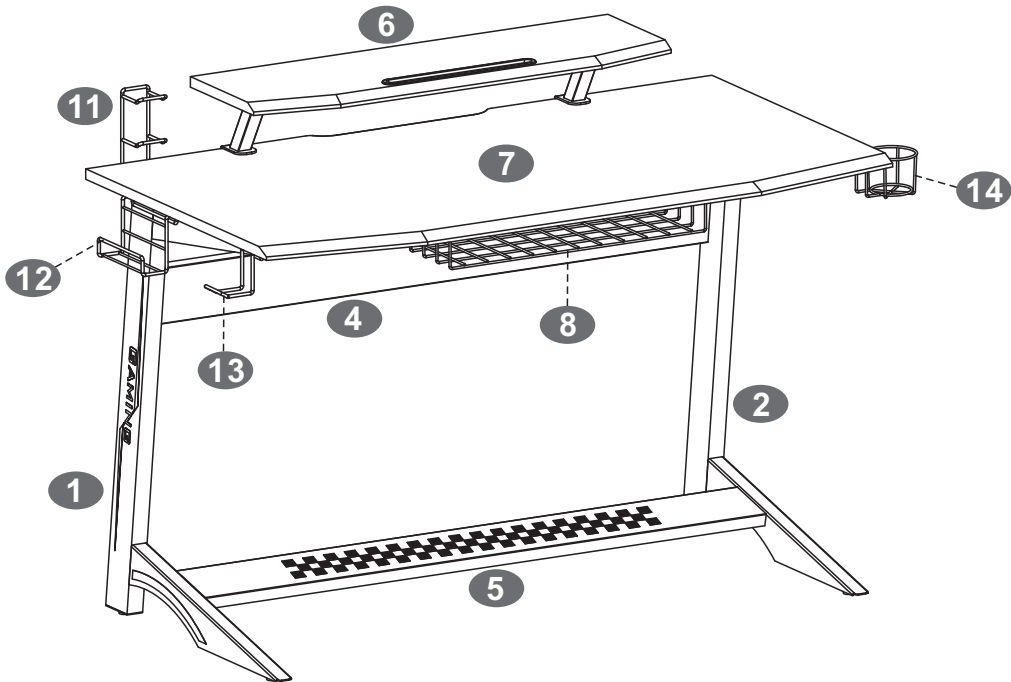
#### **Cleaning:**

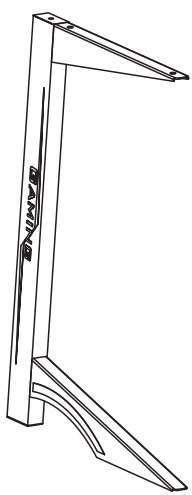
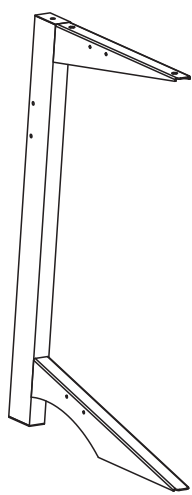
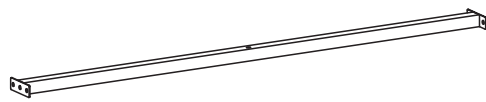
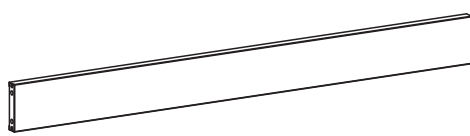
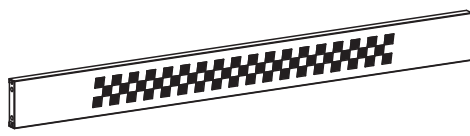
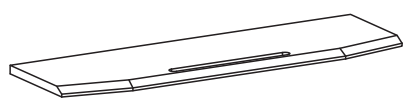
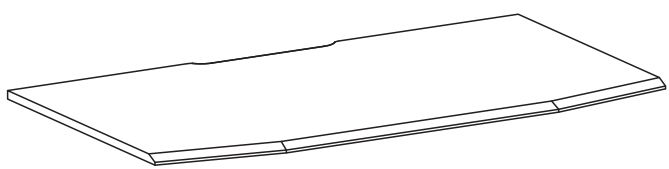
Wipe surfaces with a clean damp (not wet) cloth then dry with a clean lint free cotton cloth.  
Glass surfaces may be polished with window or other glass cleaning liquids.


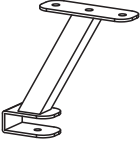
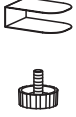
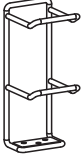
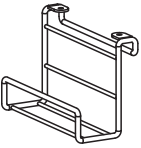
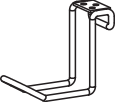



**Please retain cartons until assembled as goods MUST be returned in original packaging.**





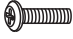

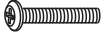
■ PARTS LIST



 <p>1</p> <p>X1</p>	 <p>2</p> <p>X1</p>	 <p>3</p> <p>X1</p>
		 <p>4</p> <p>X1</p>
		 <p>5</p> <p>X1</p>
 <p>6</p> <p>X1</p>	 <p>7</p> <p>X1</p>	

<p>8</p>  <p>X1</p>	<p>9</p>  <p>X2</p>	<p>10</p>  <p>X2</p>	<p>11</p>  <p>X1</p>
<p>12</p>  <p>X1</p>	<p>13</p>  <p>X1</p>	<p>14</p>  <p>X1</p>	<p>15</p>  <p>X1</p>
<p>16</p>  <p>X4</p>			

▪SCREWS LIST

PART	QTY.	ITEM		PART	QTY.	ITEM	
<b>A</b>	12	6X12 MM		<b>D</b>	15	4X14 MM	
<b>B</b>	8	6X20 MM			1		
<b>C</b>	1	6X35 MM					



■ ASSEMBLY STEPS:

0 1 2 3 4 5 6 7 8 9 10 11 12 13 14 15 16 17 18 19 20 21 22 23 24

**1**

**16**

**2**

**2**

**A**

**3**

**A**

**B**

**4**

**1**

**2**

■ SCREWS

**B** 6X20 MM

x4

■ SCREWS

**A** 6X12 MM

x4

**3**

**1**

**2**

**5**

■ SCREWS

**B** 6X20 MM

x4

0 1 2 3 4 5 6 7 8 9 10 11 12 13 14 15 16 17 18 19 20 21 22 23 24

