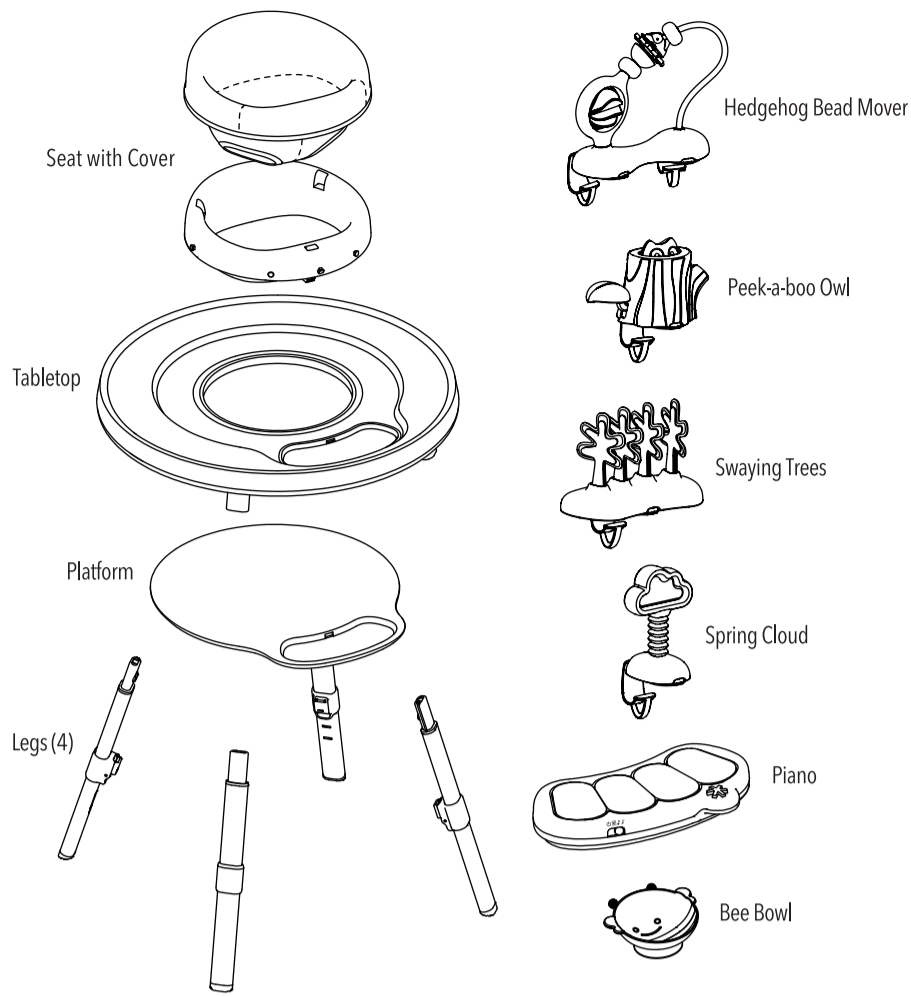


EN Read all instructions before assembly and use of the stationary Activity Center.

IMPORTANT! Keep instructions for future use.

CONTENTS:



CLEANING AND CARE:

Plastic Parts: Wipe surfaces with mild soap and water. Air dry.
Bee Bowl: Wash thoroughly before use. Dishwasher safe, top rack only.
Fabric Parts: Machine wash separately, cold water, delicate cycle. Tumble dry low. NO CHLORINE BLEACH. DO NOT dry clean.



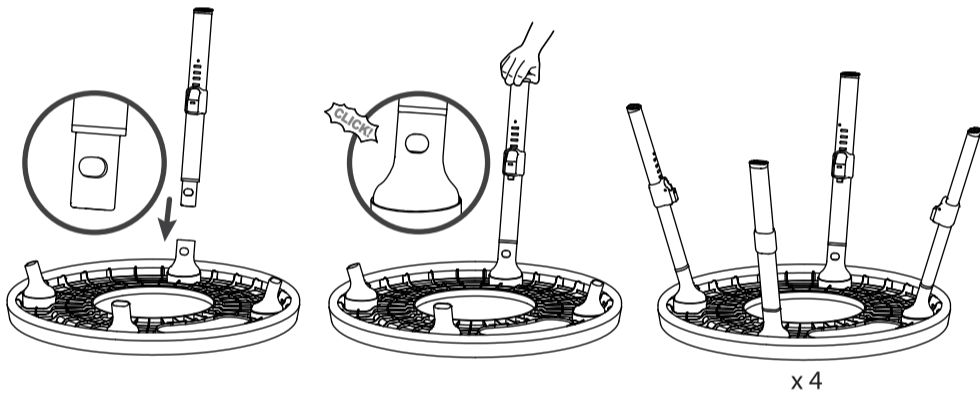
SETUP AS ACTIVITY CENTER:

Adult assembly required.

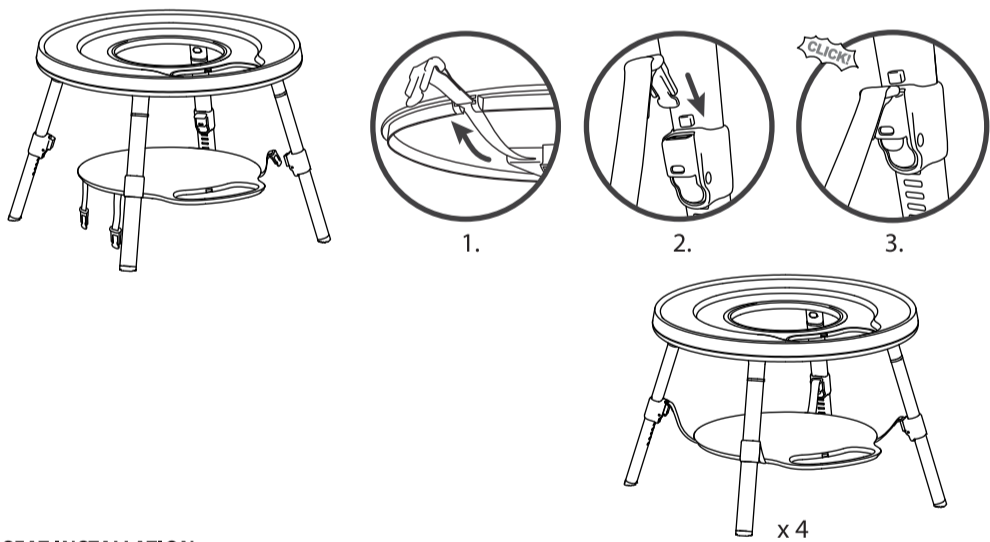
CAUTION: Do not use with children over 25 lbs (11kg), or over 30 inches (76cm). For use only with infant who can hold up their head unaided. Discontinue use when child begins to walk unassisted or can lift itself out of seat.

LEG ASSEMBLY

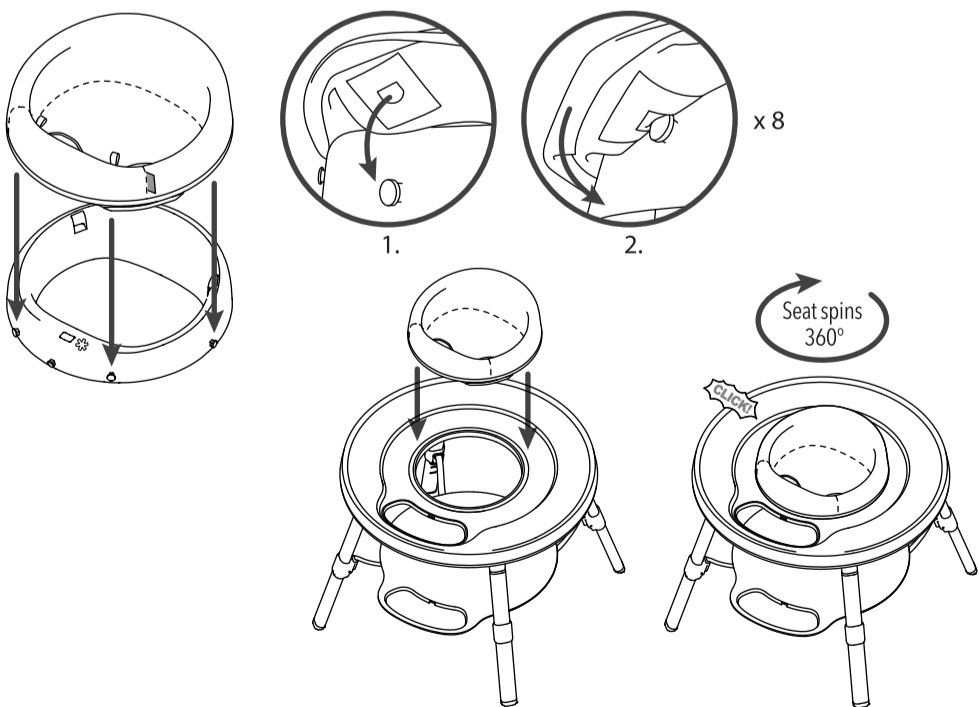
CAUTION: Make sure all 4 legs are securely locked in position before putting your child in the seat.



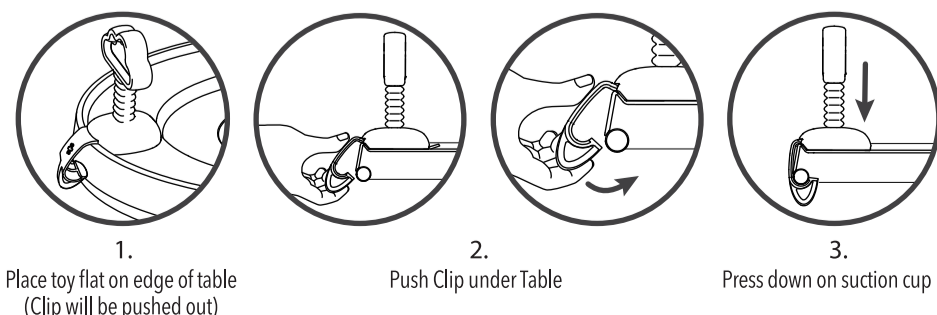
PLATFORM ASSEMBLY



SEAT INSTALLATION



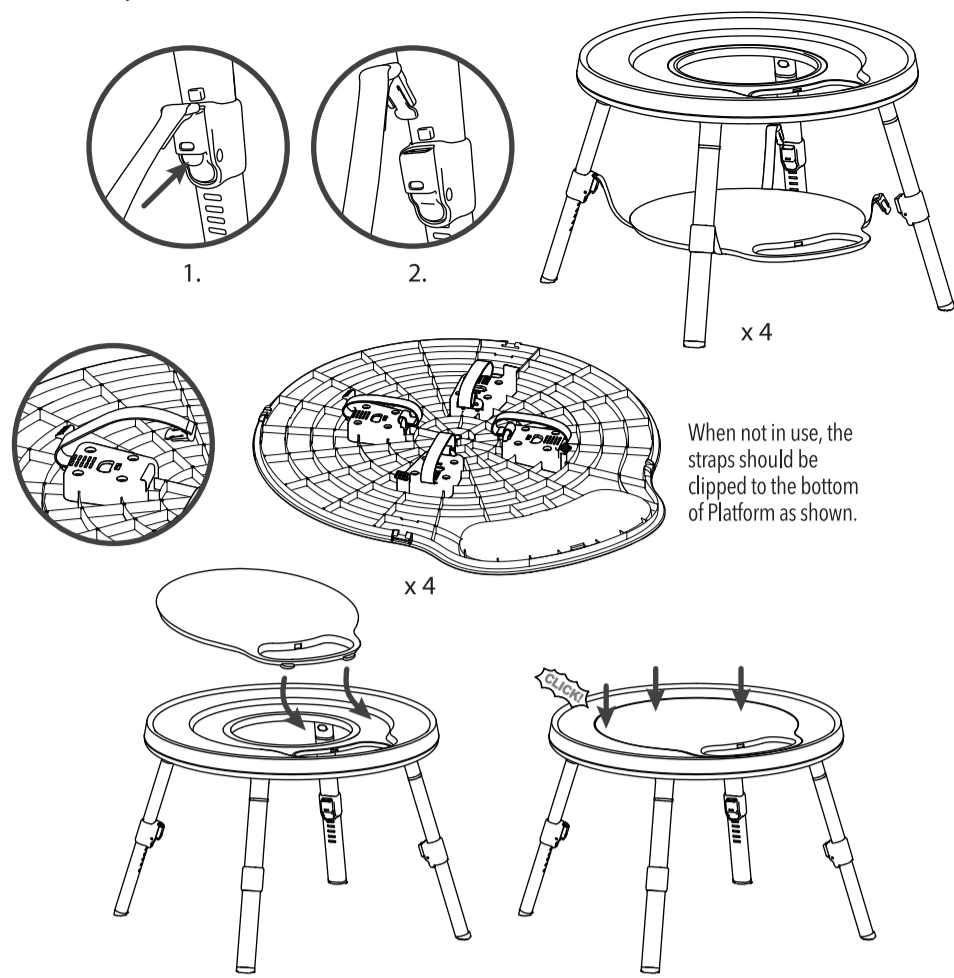
INSTALLING TOYS



SETUP AS PLAY TABLE:

Adult assembly required.

Remove Seat and Toys from Table (see "MOVING AND REMOVING TOYS").

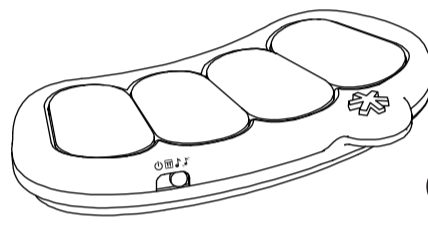


PIANO PLAY: (requires 3 AAA batteries)

Install/replace batteries (by adult only):

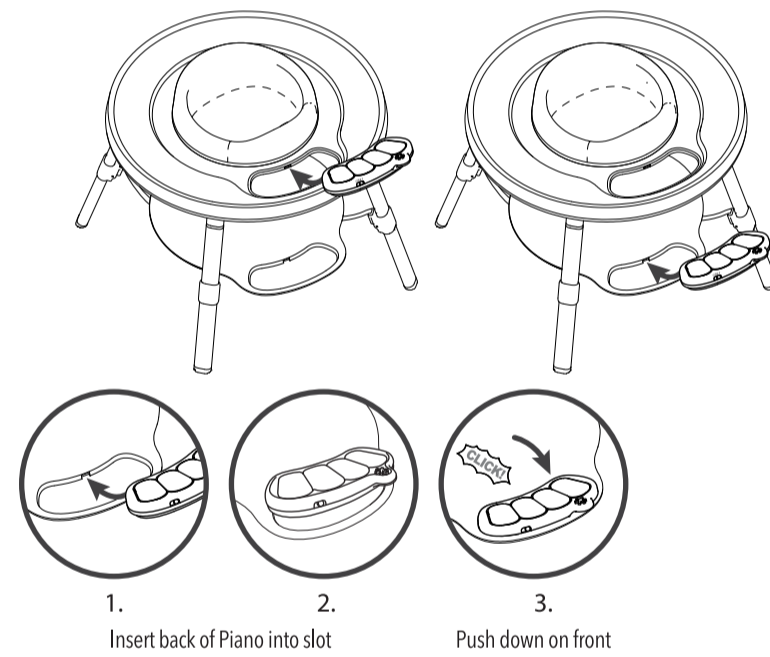
- Open battery cover with screwdriver
- Insert or replace with 3 AAA1.5V batteries
- Replace cover and secure screws with screwdriver

At the end of product life, remove batteries from product by following the above battery replacement instructions. Always dispose of used batteries properly. See section on safety and disposal information.

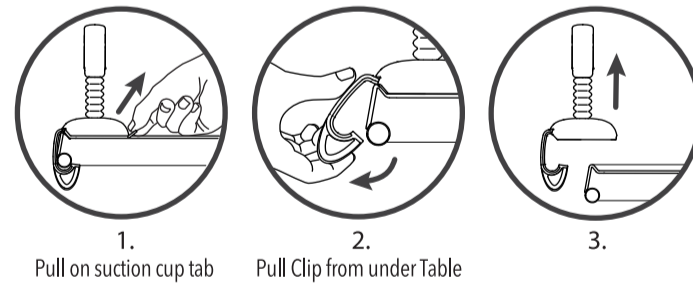


- Create your own music.
 - Each key plays a different song.
 - Movement makes the music play.
- When mounted to lower platform, it is activated by jumping—great for learning cause and effect.

INSTALLING PIANO ON TABLE OR PLATFORM



MOVING AND REMOVING TOYS



ADJUSTING PLATFORM HEIGHT

ALWAYS remove baby from Activity Center before adjusting. Platform may be removed if baby's feet are flat on the platform.

