

KitchenAid®

PASTA PRESS

INSTRUCTIONS AND RECIPES

PRESSE-PÂTE

INSTRUCTIONS ET RECETTES

PRENSA PARA PASTA

INSTRUCCIONES Y RECETAS

KPEXTA



This accessory has been approved for use with all KitchenAid® household stand mixers.

L'utilisation de cet accessoire a été approuvée pour tous les batteurs sur socle ménagers de KitchenAid®

Este accesorio se ha aprobado para usarse con todas las batidoras de uso doméstico con base KitchenAid®



W10236413B

FOR THE WAY IT'S MADE.®

U.S.A.: 1-800-541-6390
Canada: 1-800-807-6777

KitchenAid.com
KitchenAid.ca

Proof of Purchase

Always keep a copy of the sales receipt showing the date of purchase of your Stand Mixer Accessory. Proof of purchase will assure you of in-warranty service.

Please complete the following for your personal records:

Model Number _____

Date Purchased _____

Store Name and Location _____

Preuve d'achat

Veillez conserver une copie du coupon de caisse indiquant la date d'achat de votre Accessoires Du Batteur Sur Socle. La preuve d'achat vous assure du service après-vente sous garantie.

Veillez remplir ce qui suit pour votre dossier personnel :

Numéro de modèle _____

Date d'achat _____

Nom du magasin et emplacement _____

Comprobante de compra

Siempre conserve una copia del recibo de ventas que especifique la fecha de compra de sus aditamentos para la batidora con base. El comprobante de compra le asegurará el servicio técnico bajo garantía.

Complete lo siguiente para su registro personal:

Número del modelo _____

Fecha de compra _____

Nombre de la tienda y dirección _____

Table of Contents

INTRODUCTION

Proof of Purchase	Inside Front Cover
Stand Mixer Accessory Safety	2
Important Safeguards	2

FEATURES AND OPERATION

To Assemble Pasta Press Accessory	3
Pasta Plates	5
To Attach Pasta Press Accessory	6
To Use Pasta Press Accessory	6
To Change the Pasta Plates	7
To Loosen the Pasta Ring	7
Care and Cleaning	8
Pasta Making Tips	9
Cooking Pasta	10

RECIPES

Basic Egg Noodle Pasta	10
Light Wheat Pasta	11
Whole Wheat Pasta	11
Spinach Pasta	11
Deluxe Macaroni and Cheese	12
Classic Minestrone	13
Pasta with Roasted Fresh Vegetable Sauce	14
Asparagus, Tomato and Fusilli Salad	15
Bolognese Pasta Sauce	16
Seafood Cream Sauce	17
Rustic Baked Rigatoni	18
Chinese Peanut Noodles	19

WARRANTY AND SERVICE INFORMATION

KitchenAid® Stand Mixer Accessory Warranty	20
Hassle-Free Replacement Warranty – 50 United States and District of Columbia	21
Hassle-Free Replacement Warranty – Canada	21
How to Arrange for Warranty Service in Puerto Rico	21
How to Arrange for Service after the Warranty Expires – All Locations	22
How to Arrange for Service Outside these Locations	22
How to Order Accessories and Replacement Parts	22

Stand Mixer Accessory Safety

Your safety and the safety of others are very important.

We have provided many important safety messages in this manual and on your appliance. Always read and obey all safety messages.



This is the safety alert symbol.

This symbol alerts you to potential hazards that can kill or hurt you and others.

All safety messages will follow the safety alert symbol and either the word "DANGER" or "WARNING." These words mean:

! DANGER

You can be killed or seriously injured if you don't immediately follow instructions.

! WARNING

You can be killed or seriously injured if you don't follow instructions.

All safety messages will tell you what the potential hazard is, tell you how to reduce the chance of injury, and tell you what can happen if the instructions are not followed.

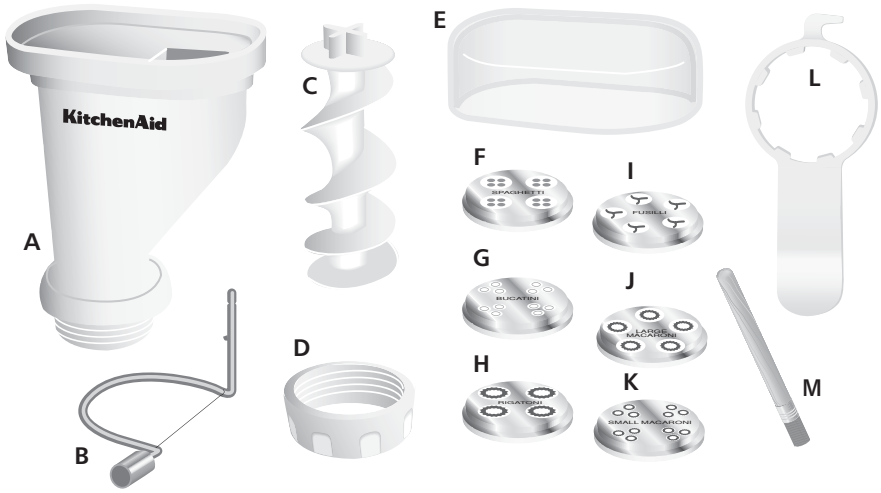
IMPORTANT SAFEGUARDS

When using electrical appliances, basic safety precautions should always be followed including the following:

1. Read all instructions.
2. To avoid risk of electrical shock, do not put mixer in water or other liquid.
3. Close supervision is necessary when any appliance is used by or near children.
4. Unplug the mixer from outlet when not in use, before putting on or taking off parts, and before cleaning.
5. Avoid contacting moving parts. Keep fingers out of feed and discharge openings.
6. Do not feed dough by hand. Always use the combo tool to push food.
7. Do not operate the mixer with a damaged cord or plug or after the mixer malfunctions, or is dropped or damaged in any manner. Return the mixer to the nearest Authorized Service Center for examination, repair or electrical or mechanical adjustment.
8. The use of accessories not recommended or sold by KitchenAid may cause fire, electric shock or injury.
9. Do not use the mixer outdoors.
10. Do not let the cord hang over the edge of table or counter.
11. Do not let cord contact hot surface, including the stove.
12. This product is designed for household use only.
13. Also see Important Safeguards included in the mixer Instructions and Recipes booklet.

SAVE THESE INSTRUCTIONS

To Assemble Pasta Press Accessory

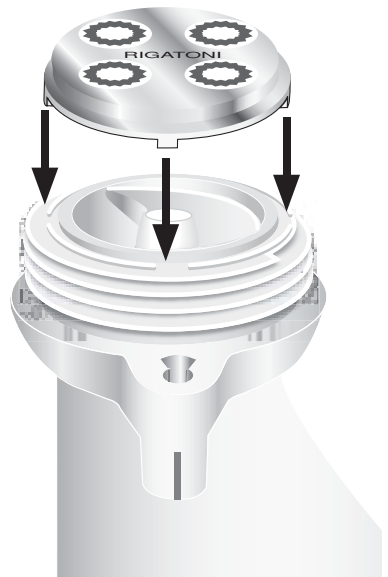
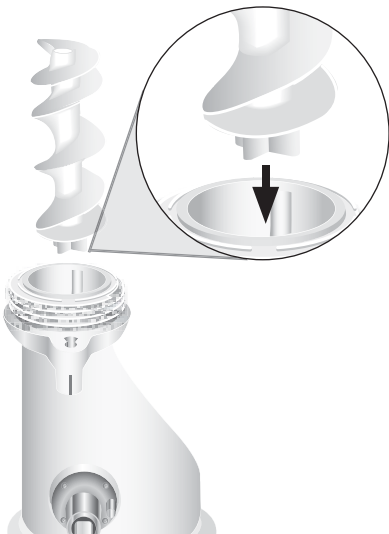


A - Housing
B - Cutter
C - Auger
D - Pasta Ring
E - Storage Case

F - Spaghetti Plate
G - Bucatini Plate
H - Rigatoni Plate
I - Fusilli Plate
J - Large Macaroni Plate

K - Small Macaroni Plate
L - Combo Tool
M - Cleaning Brush

1. Place the press upside down on a counter or table, and insert the end of the auger with the cross-shaped peg (C) into the press housing (A), aligning the cross-shaped peg with the matching indentation inside. When correctly positioned, the top of the auger will be flush with the opening.
2. Place one of the pasta plates (F, G, H, I, J or K) over the opening, aligning its center with the auger, matching the tabs of the plate with the notches in the press housing.

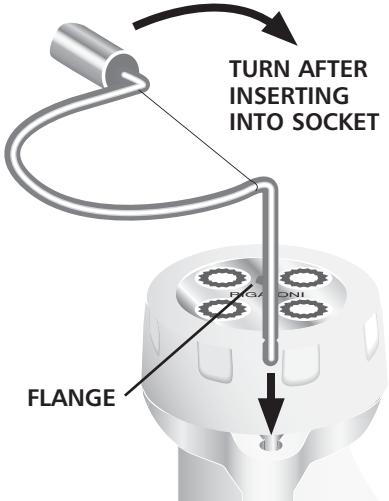


To Assemble Pasta Press Accessory

- Place the pasta ring (D) over the plate and gently turn by hand until finger tight but not over tightened.



- Insert the cutter (B) into the socket, aligning the flange with the left side of the slot as shown. Push in until locked in place and turn cutter to the right. The pasta press is now ready to attach to the stand mixer.



A multipurpose combo tool (L) with a hook and wrench is provided. The flat end may be used to help push dough into the press. The wrench may be used to loosen the pasta ring from the press body. The hook may be used to pry the auger out of the casing.



A storage case (E) is provided to store pasta plates (F, G, H, I, J and K).

NOTE: Do not use combo tool to tighten pasta ring.

Pasta Plates

WARNING

Food Poisoning Hazard

Do not let foods that contain perishable ingredients such as eggs, dairy products, and meats remain unrefrigerated for more than one hour.

Doing so can result in food poisoning or sickness.



SPAGHETTI (PLATE F)

Recommended Stand Mixer Speed: 10

Extrusion Length -
Approximately 9½" (24.0 cm).



BUCATINI (PLATE G)

Recommended Stand Mixer Speed: 10

Extrusion Length -
Approximately 9½" (24.0 cm).



RIGATONI (PLATE H)

Recommended Stand Mixer Speed: 6

Extrusion Length -
Approximately 1½" (4.0 cm).



FUSILLI (PLATE I)

Recommended Stand Mixer Speed: 2-4

Extrusion Length -
Traditional (Long): 9½"
(24.0 cm); Short: 1½"
(4.0 cm).



LARGE MACARONI (PLATE J)

Recommended Stand Mixer Speed: 6

Extrusion Length - Up to 2"
(5.0 cm).



SMALL MACARONI (PLATE K)

Recommended Stand Mixer Speed: 6

Extrusion Length - Up to 1½"
(4.0 cm).

Separating Fresh Pasta

Separate pasta after extrusion. Pasta may be cooked immediately. If drying instead of cooking, place long noodles on KitchenAid® Drying Rack (KPDR), or dry in a single layer on a towel placed on a flat surface. Short pasta should be dried on a flat surface.

Storing Fresh Pasta

To store fresh pasta, air dry for 1 hour, then wrap in an airtight plastic bag and refrigerate for up to 5 days. Long noodles (except fusilli) may be formed into a "nest" before drying.

To Attach Pasta Press Accessory

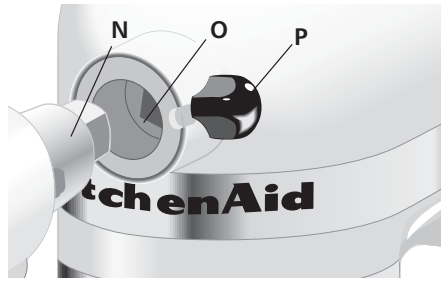
Before Attaching Pasta Press Accessory

Remove "Do not immerse in water" label, and detach the storage case from the accessory housing top.

To Attach:

1. Turn stand mixer speed control to OFF.
2. Unplug the stand mixer.
3. Loosen the accessory knob (P) by turning it counterclockwise.
4. Remove the accessory hub cover or flip up hub cover.
5. Insert the accessory shaft housing (N) into the accessory hub (O) making certain that accessory power shaft fits into square hub socket.

6. It may be necessary to rotate the accessory back and forth. When the accessory is in proper position, the pin on the accessory housing will fit into the notch on the hub rim.
7. Tighten the accessory knob by turning it clockwise until the accessory is completely secured to stand mixer.



To Use Pasta Press Accessory

⚠ WARNING



Rotating Blade Hazard

Always use food pusher.

Keep fingers out of openings.

Keep away from children.

Failure to do so can result in amputations or cuts.

1. Set the stand mixer speed between 6 and 10, according to pasta type and personal preference. For best results, Fusilli should be extruded at a maximum speed of 6. Slower speeds are also recommended for very short pasta. Longer pasta, such as Spaghetti may be extruded at higher speeds.

2. Slowly feed walnut-size pieces of dough into the hopper; dough should self-feed. The auger should be visible before adding the next piece of dough.

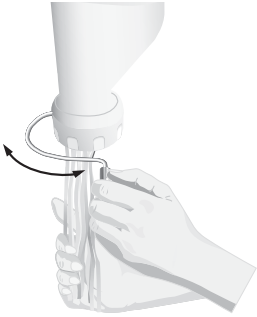


3. Use combo tool to push dough only if dough becomes caught in hopper and no longer self feeds.



To Use Pasta Press Accessory

4. Use the swing-arm wire dough cutter to cut pasta at desired length as it exits the press. See "Pasta Plates" for recommended lengths.



5. Separate pasta as described in "Pasta Plates" section.

To Change the Pasta Plates:

1. Turn stand mixer speed control to OFF.
2. Unplug the stand mixer.
3. Remove the pasta press accessory from the stand mixer.
4. Remove the cutter, pasta ring, auger and clean the dough out of the press housing.
5. Then reassemble the accessory as stated in "To Assemble Pasta Press Accessory" section.

To Loosen the Pasta Ring:

1. If pasta ring is too tight to remove by hand, slip the wrench over the grooves.
2. Turn pasta ring in direction indicated by the arrow to OPEN.



NOTE: Do not use wrench to attach ring to press housing. Damage to the accessory may result.

Care and Cleaning

To Clean:

1. Turn stand mixer speed control to OFF.
2. Unplug the stand mixer.
3. Completely disassemble pasta press.
4. Use the wrench end of combo tool to loosen pasta ring. Use the hook to pry out the auger from press housing.



5. Allow remaining dough on pasta plates to dry overnight before separating. Remove completely dried dough with the Cleaning Brush. Use a wooden skewer or toothpick to pick out any remaining dough. Do not use metal objects or put pasta plates in the dishwasher to clean.
6. Auger, pasta ring, combo tool and storage case are dishwasher safe.

NOTE: Do not wash press housing in dishwasher or immerse in water or other liquids. The cutter and pasta plates should be hand washed in warm sudsy water and dried thoroughly.

NOTE: These accessories are designed to be used with pasta dough only. To avoid damaging your pasta press, do not insert anything other than pasta dough.

Pasta Making Tips

NOTE: Mixer must rest at least 1 hour after extruding 2 consecutive pasta dough recipes.

Dough

- Learning to make homemade pasta is simply a matter of practice. If you have not made pasta, you may have to prepare several batches of dough before you feel comfortable. We recommend experimenting with the Basic Egg Noodle Pasta Recipe.
- The ratio of liquid to flour is small, making the pasta dough firm and leathery, but still pliable. It is extremely important to have the correct proportion of ingredients for proper dough consistency, as dough that is too moist or too dry will be difficult to work with. To help you achieve consistent results, the pasta recipes in this booklet specify sifted flour. To sift flour, follow this procedure: Place dry ingredient measuring cup on a large piece of waxed paper and hold sifter directly above and close to cup. Scoop flour into sifter and sift until flour exceeds top of cup. Using the flat edge of a spatula, remove excess flour from measuring cup.
- Occasionally, there may be unmixed pieces of dough in the bowl after initial mixing with the flat beater. These pieces will be sufficiently incorporated by stand mixer kneading followed by hand kneading which firms and smoothes the texture of the dough.
- Many factors, such as humidity, brand of flour used, and size of eggs, can affect dough consistency. To compensate for humid conditions, start the initial mixing process with only the sifted flour and eggs. Check the dough for proper consistency by pinching a small amount of dough together after mixing with the flat beater. The dough should stay together without sticking to your fingers. It may be necessary to add a small amount of water or flour to reach correct dough consistency.

- If the prepared dough is too moist or sticky to extrude, simply dust with flour or pat some flour into the dough before placing in the extruder.

Using Your Pasta Press and KitchenAid® Stand Mixer

- Long noodles and macaroni tend to curl in different directions as they extrude through the plate. The first 10" (25.0 cm) of curled noodles may be pulled off and returned to the hopper to be extruded again. Pasta will extrude slowly at first, then faster as more dough is extruded.

WARNING

Food Poisoning Hazard

Do not let foods that contain perishable ingredients such as eggs, dairy products, and meats remain unrefrigerated for more than one hour.

Doing so can result in food poisoning or sickness.

- Separate pasta immediately after extrusion. Lay a group of noodles on a towel placed on a flat surface and pull apart from dried ends of strands. Dry in a single layer. Long strands of pasta may be placed on a KitchenAid® Drying Rack (KPDR).
- Homemade pasta behaves differently than store-purchased pasta. Because long noodles bend as they dry and are more fragile, they require gentle handling before cooking.

Storing Your Pasta

- Store dried pasta in an airtight glass or plastic container almost indefinitely in a cool, dark place. However, do not store dried whole-wheat pasta for more than 1 month, as it may turn rancid.
- To store fresh pasta, air dry for 1 hour, then wrap in an airtight plastic bag and refrigerate for up to 5 days. To freeze, double wrap the pasta and keep frozen for up to 4 months. To use frozen fresh pasta, do not thaw – it should go directly from freezer into boiling water.

Cooking Pasta

WARNING

Food Poisoning Hazard

Do not let foods that contain perishable ingredients such as eggs, dairy products, and meats remain unrefrigerated for more than one hour.

Doing so can result in food poisoning or sickness.

ENGLISH

Add 2 tsp (10 mL) salt and 1 tbs (15 mL) oil (optional) to 6 qt (5.7 L) boiling water. Gradually add pasta and continue to cook at a boil until pasta is “al dente” or slightly firm to

the bite. Pasta floats to the top of the water while cooking, so stir occasionally to keep it cooking evenly. Drain in a colander.

- Dry pasta – 7 minutes
- Fresh pasta – 2–5 minutes depending on thickness of noodles

Basic Egg Noodle Pasta

- 4 large eggs
- 3½ cups (830 mL) sifted all-purpose flour
- 1 tbs (15 mL) water
- 1 tsp (2 mL) salt

Break eggs into a glass measuring cup. Check to see that eggs measure $\frac{7}{8}$ cup (207 mL). If less than $\frac{7}{8}$ cup (207 mL), add water, 1 tsp (2 mL) at a time, until measurement is reached.

Place flour and salt in stand mixer bowl. Attach bowl and flat beater. Turn to Speed 2 and gradually add eggs and 1 tbs (15 mL) water. Mix for 30 seconds. Stop mixer and exchange flat beater for dough hook. Turn to Speed 2 and knead for 2 minutes.

Remove mixture from bowl and place on clean surface. Dough may appear crumbly. Hand knead for 30 seconds to 1 minute or until dough is smooth, pliable and holds together in a ball.

Form walnut-sized pieces and extrude pasta into desired shape. Separate and dry as desired, then follow cooking instructions above.

Yield: About 1 $\frac{1}{4}$ pounds (579 g) dough

Light Wheat Pasta

- 2¹/₂ cups (590 mL) sifted whole wheat flour
 1 cup (235 mL) sifted bread or unbleached flour
 4 large eggs (7/8 cup [208 mL] eggs)
 2 tbs (30 mL) water
 1/2 tsp (2 mL) salt

Place whole wheat flour, bread flour, eggs, water, and salt in stand mixer bowl. Attach bowl and flat beater. Turn to Speed 2 and mix 30 seconds.

Exchange flat beater for dough hook. Turn to Speed 2 and knead 2 minutes. Remove dough from bowl and hand knead for 1 to 2 minutes.

Form walnut-sized pieces of dough and extrude pasta into desired shape. Separate and dry as desired, then follow the "Cooking Pasta" instructions.

Yield: 1¹/₄ lbs (565 g) dough.

Whole Wheat Pasta

- 4 large eggs (7/8 cup [208 mL] eggs)
 2 tbs (30 mL) water
 3¹/₂ cups (830 mL) whole wheat flour
 1/2 tsp (2 mL) salt

Place eggs, water, whole wheat flour, and salt in stand mixer bowl. Attach bowl and flat beater. Turn to Speed 2 and mix 30 seconds.

Exchange flat beater for dough hook. Turn to Speed 2 and knead 2 minutes. Remove dough from bowl and hand knead for 2 minutes.

Form walnut-sized pieces of dough and extrude pasta into desired shape. Separate and dry as desired, then follow the "Cooking Pasta" instructions.

Yield: 1¹/₄ lbs (565 g) dough.

Spinach Pasta

- 1 package 10 oz (285 g) frozen chopped spinach, thawed
 1 tbs (15 mL) water
 4 large eggs (7/8 cup [208 mL] eggs)
 4 cups (945 mL) sifted all-purpose flour

Place spinach in a towel and wring out all water until spinach feels very dry. Finely chop spinach using a food grinder accessory, food processor or blender.

Place chopped spinach, water, eggs, and flour in stand mixer bowl. Attach bowl and flat beater. Turn to Speed 2 and mix 30 seconds.

Exchange flat beater for dough hook. Turn to Speed 2 and knead 2 minutes. Remove dough from bowl and hand knead for 1 to 2 minutes.

Form walnut-sized pieces of dough and extrude pasta into desired shape. Separate and dry as desired, then follow the "Cooking Pasta" instructions.

Yield: 1¹/₂ lbs (680 g) dough.

Deluxe Macaroni and Cheese

- 3 tbs (45 mL) butter
- 2 tbs (30 mL) finely minced onion
- 2 tbs (30 mL) flour
- 3 cups (780 mL) milk
- 4 oz (120 mL) extra sharp Cheddar cheese, shredded
- 4 oz (120 mL) Fontina cheese, shredded
- 1 tsp (5 mL) Worcestershire sauce
- $\frac{1}{4}$ tsp (1 mL) garlic salt
- $\frac{1}{8}$ tsp (0.5 mL) pepper
- $\frac{1}{8}$ tsp (0.5 mL) paprika
- 1 recipe basic egg noodle pasta extruded into short-cut large macaroni, cooked and drained

Melt butter in a large saucepan over medium heat. Add onion and cook, stirring occasionally, for 4 to 5 minutes or until translucent. Add flour and cook an additional minute. Whisk in milk, and continue cooking over medium heat until mixture comes to a boil and thickens slightly. Reduce to low heat and stir in Cheddar and Fontina cheeses, mixing until melted and well incorporated. Add Worcestershire sauce, garlic salt, pepper, and paprika, stirring well to combine. Remove from heat and set aside.

Place cheese mixture and cooked macaroni in large bowl, mixing well to combine. Transfer mixture to a greased 9" x 13" x 2" (23 cm x 33 cm x 5 cm) baking pan. Cover tightly with foil and bake at 350°F (180°C) for 25 to 30 minutes. Remove foil and bake an additional 10 minutes to brown and crisp top. Serve immediately.

Yield: 10 servings.

Per Serving: About 214 cal., 11 g protein, 16 g carb, 12 g total fat, 56 mg cholesterol, 258 mg sodium.

Classic Minestrone

- 3 tbs (45 mL) olive oil
- 2 stalks celery, trimmed and cut into 1/4" (0.65 cm) slices
- 3 carrots, peeled and cut into 1/4" (0.65 cm) slices
- 2 small zucchini, trimmed and cut into 1/4" (0.65 cm) slices
- 1 small onion, chopped
- 1 shallot, finely chopped
- 1 package (32 oz) (946 mL) chicken broth
- 2 cans (14.5 oz [429 mL] each) petite diced tomatoes with juice
- 1 tsp (5 mL) dried oregano
- 1 tsp (5 mL) dried basil
- 1/4 tsp (1 mL) pepper
- 1/2 recipe basic egg noodle pasta extruded into short-cut small macaroni, uncooked
- 1 can (15.8 oz [467 mL]) white beans, rinsed and drained

Heat olive oil in large pot over medium high heat. Add celery, carrots, zucchini, onion, and shallot. Cook and stir for 4 to 5 minutes, or until vegetables are softened.

Add chicken broth, tomatoes, oregano, basil, and pepper. Increase heat to high and bring mixture to a boil. Add pasta, and continue to boil until pasta has reached al dente stage, about 4 to 5 minutes. Reduce heat to low and stir in beans. Simmer an additional 5 minutes or until beans are heated through. Serve immediately.

Yield: 10 servings.

Per Serving: About 97 cal., 4 g protein, 16 g carb, 2 g fat, 9 mg cholesterol, 466 mg sodium.

Pasta with Roasted Fresh Vegetable Sauce

- 4 tbs (60 mL) olive oil, divided
- 1 small zucchini, trimmed and cut into $\frac{1}{4}$ " (0.65 cm) slices
- 1 small yellow squash, trimmed and cut into $\frac{1}{4}$ " (0.65 cm) slices
- 1 small onion, chopped
- 3 cloves garlic, minced
- 1 package (8 oz) (235 mL) sliced button or baby Bella mushrooms
- 8 large ripe Roma tomatoes, peeled and seeded if desired, and cut into $\frac{1}{2}$ " (1.25 cm) slices
- 1 tsp (5 mL) salt
- $\frac{1}{8}$ tsp (0.5 mL) pepper
- $\frac{1}{2}$ cup (120 mL) chicken or vegetable broth (if desired)
- $\frac{1}{2}$ recipe basic egg noodle pasta extruded into short-cut large macaroni, cooked and drained
- 2 tbs (30 mL) coarsely chopped basil leaves
- 2 tbs (30 mL) coarsely chopped flat leaf Italian parsley
- $\frac{1}{2}$ cup (235 mL) Parmesan cheese

Coat bottom and sides of a large glass or ceramic baking pan with 1 tbs (15 mL) olive oil. Place zucchini, yellow squash, onion, garlic, mushrooms, tomatoes, salt, and pepper in baking pan. Drizzle with remaining oil and mix well. Bake at 425°F (220°C) for 1 hour, stirring mixture every 20 minutes, until vegetables are tender and caramelized.

Remove from oven and add broth, if desired, to loosen browned bits from bottom of pan and add additional moisture. Let stand 10 minutes. Add hot cooked pasta, basil, parsley, and Parmesan cheese. Mix well to combine and serve immediately.

Yield: 8 servings.

Per Serving: About 149 cal., 6 g protein, 12 g carb, 9 g fat, 17 mg cholesterol, 476 mg sodium.

Asparagus, Tomato and Fusilli Salad

- 1 lb (455 g) asparagus, trimmed and cut into 1" (2.5 cm) pieces
- 1 medium yellow bell pepper, seeded and diced
- 1 package (1 pint) (550 mL) grape tomatoes, halved
- 2 green onions, trimmed and thinly sliced
- 4 ounces (120 mL) smoked provolone cheese, diced
- 1/4 cup (60 mL) chopped parsley
- 1/2 cup (120 mL) olive oil
- 2 tbs (30 mL) balsamic vinegar
- 3 tbs (45 mL) red wine vinegar
- 2 cloves garlic, finely minced
- 1/2 tsp (2 mL) salt
- 1/8 tsp (0.5 mL) pepper
- 1/2 recipe basic egg noodle pasta extruded into short-cut fusilli, cooked, rinsed and cooled

Bring medium saucepan with 2 cups (475 ml) water to boil over high heat. Add asparagus, cover, and continue to boil for 2 to 3 minutes, or until tender crisp. Remove asparagus from pan and immediately submerge in cold water. Rinse well and place in large bowl. Add yellow pepper, tomatoes, green onions, provolone cheese, and parsley. Mix well and set aside.

In small bowl, whisk together oil, vinegars, garlic, salt, and pepper. Pour mixture over vegetables and let stand 15 minutes. Add cooked pasta and mix well to combine.

Cover and refrigerate one hour or until well chilled. Serve cold.

Yield: 8 servings.

Per Serving: About 226 cal., 6 g protein, 11 g carb, 18 g fat, 21 mg cholesterol, 297 mg sodium.

Bolognese Pasta Sauce

*Serve with Spaghetti
or Bucatini Pasta*

- 1 lb (455 g) lean ground beef
- 1 lb (455 g) ground pork
- 2 carrots, peeled and finely chopped
- 2 stalks celery, finely chopped
- 1 medium onion, finely chopped
- 4 cloves garlic, minced
- 1/2 cup (120 mL) dry red wine
- 2 cans (28 oz [828 mL] each) crushed tomatoes
- 2 cans (6 oz [177 mL] each) tomato paste
- 1 can (14 1/2 oz [428 mL]) chicken or beef broth
- 2 tsp (10 mL) dried basil
- 2 tsp (10 mL) dried oregano
- 2 fresh bay leaves
- 1/2 tsp (2 mL) crushed red pepper flakes
- 2 tsp (10 mL) sugar
- Salt and pepper to taste

In large pot or Dutch oven over medium-high heat, cook and crumble ground beef and pork, about 5 minutes. Add carrots, celery, onion, and garlic to pot and continue to cook and finely crumble mixture until meat is thoroughly cooked, about 8 to 9 minutes. Remove from heat and drain all excess fat. Return pot to medium heat and add red wine. Cook and stir 3 minutes. Add remaining ingredients, reduce heat and simmer for 1 hour, stirring occasionally. Remove bay leaves and serve over hot pasta.

Yield: 10 servings.

Per Serving: About 268 cal., 21 g protein, 22 g carb, 11 g fat, 57 mg cholesterol, 820 mg sodium.

Seafood Cream Sauce

Serve with Large
Macaroni or Fusilli
Pasta

8 oz (235 mL) shrimp,
peeled and deveined

8 oz (235 mL) bay
scallops

2 tbs (30 mL) butter

1 small shallot, finely
chopped

$\frac{1}{4}$ cup (60 mL) dry white
wine

1 cup (235 mL) half
and half

1 cup (235 mL) grated
Parmesan cheese

$\frac{1}{4}$ tsp (1 mL) salt

$\frac{1}{8}$ tsp (0.5 mL) pepper
Dash nutmeg

Place shrimp and scallops between layers of paper towels to remove excess moisture; set aside. Melt butter in large skillet over medium heat. Add shallot and sauté for 2 to 3 minutes, stirring occasionally. Add shrimp and scallops to skillet and cook, stirring occasionally, for 3 to 4 minutes, or just until seafood turns opaque. Stir in white wine and simmer mixture 1 to 2 minutes. Add half and half, Parmesan cheese, salt, pepper, and nutmeg. Continue to cook, stirring occasionally, until mixture just begins to simmer and cheese is melted. Do not boil. Sauce will be thin. Remove from heat immediately and toss with hot pasta.

Yield: 6 servings.

Per Serving: About 248 cal., 22 g protein, 5 g carb,
14 g fat, 109 mg cholesterol, 608 mg sodium.

Rustic Baked Rigatoni

- 1 *tbs (15 mL) olive oil*
- 2 *boneless skinless chicken breasts, sliced into 1/4" (0.65 cm) pieces*
- 2 *Italian sausage links, sliced diagonally into 1/4" (0.65 cm) pieces*
- 1 *small onion, sliced*
- 1 *small green pepper, seeded and sliced*
- 2 *large cloves garlic, minced*
- 1 *tsp (5 mL) chopped fresh rosemary*
- 1/8 *tsp (0.5 mL) cayenne pepper*
- 1 *can (14.5 oz [428 mL]) petite diced tomatoes with juice*
- 3/4 *cup (175 mL) half and half*
- 1/2 *recipe basic egg noodle pasta extruded into short-cut rigatoni, cooked and drained*
- 1/2 *cup (120 mL) shredded Mozzarella cheese*
- 1/4 *cup (60 mL) grated Romano cheese*

Heat oil in large skillet over medium heat. Add chicken and sausage links and cook, stirring occasionally, for 5 to 6 minutes. Add onion, green pepper, and garlic. Continue cooking and stirring until meat is completely cooked through and vegetables are tender, about 6 to 7 minutes. Add rosemary, cayenne pepper, and tomatoes. Stir well to combine and bring mixture to a simmer. Stir in half and half and remove mixture from heat. Add cooked pasta and stir well to combine. Transfer mixture to a greased 2 1/2 -qt (2.3 L) baking dish. Sprinkle with mozzarella and Romano cheeses. Bake at 350°F (180°C) for 15 to 20 minutes, or until heated through. Serve immediately.

Yield: 8 servings.

Per Serving: About 369 cal., 24 g protein, 15 g carb, 24 g fat, 94 mg cholesterol, 587 mg sodium.

Chinese Peanut Noodles

- 1 cup (235 mL) natural peanut butter
- 4 tbs (60 mL) olive oil
- 6 tbs (90 mL) fresh lime juice
- ²/₃ cup (160 mL) light soy sauce
- 2 tsp (30 mL) sugar
- 2 cloves garlic, finely minced
- ¹/₄ tsp (1 mL) cayenne pepper
- ¹/₄ tsp (1 mL) cumin
- 1 recipe basic egg noodle pasta extruded into spaghetti, cooked, drained and cooled
- 1¹/₂ cups (355 mL) fine julienne carrot strips
- 3 green onions, trimmed and thinly sliced
- 3 tbs (45 mL) chopped fresh parsley

Combine peanut butter, olive oil, lime juice, soy sauce, sugar, garlic, cayenne pepper, and cumin in small bowl. Whisk together until smooth. Set aside for 15 minutes to blend flavors.

Place pasta, carrots, green onions, and parsley in large bowl. Pour reserved sauce over mixture and toss to combine. Cover and refrigerate one hour or until well chilled. Serve cold.

Yield: 10 servings.

Per Serving: About 272 cal., 9 g protein, 19 g carb, 19 g fat, 19 mg cholesterol, 818 mg sodium.

KitchenAid® Stand Mixer Accessory Warranty

ENGLISH

Length of Warranty:	KitchenAid Will Pay For:	KitchenAid Will Not Pay For:
<p>50 United States, the District of Columbia, Canada, and Puerto Rico: One-year limited warranty from date of purchase.</p>	<p>50 United States, the District of Columbia and Canada: Hassle-free replacement of your pasta press accessory. See the following page for details on how to arrange for replacement. OR In Puerto Rico: The replacement parts and repair labor costs to correct defects in materials and workmanship. Service must be provided by an Authorized KitchenAid Service Center. To arrange for service, see the following pages.</p>	<p>A. Repairs when pasta press accessory is used in other than normal single family home use. B. Damage resulting from accident, alteration, misuse or abuse or use with products not approved by KitchenAid. C. Replacement parts or repair labor costs for pasta press accessory when operated outside the country of purchase.</p>

DISCLAIMER OF IMPLIED WARRANTIES; LIMITATION OF REMEDIES IMPLIED WARRANTIES, INCLUDING TO THE EXTENT APPLICABLE WARRANTIES OF MERCHANTABILITY OR FITNESS FOR A PARTICULAR PURPOSE, ARE EXCLUDED TO THE EXTENT LEGALLY PERMISSIBLE. ANY IMPLIED WARRANTIES THAT MAY BE IMPOSED BY LAW ARE LIMITED TO ONE YEAR, OR THE SHORTEST PERIOD ALLOWED BY LAW. SOME STATES AND PROVINCES DO NOT ALLOW LIMITATIONS OR EXCLUSIONS ON HOW LONG AN IMPLIED WARRANTY OF MERCHANTABILITY OR FITNESS LASTS, SO THE ABOVE LIMITATIONS OR EXCLUSIONS MAY NOT APPLY TO YOU.

IF THIS PRODUCT FAILS TO WORK AS WARRANTED, CUSTOMER'S SOLE AND EXCLUSIVE REMEDY SHALL BE REPAIR OR REPLACEMENT ACCORDING TO THE TERMS OF THIS LIMITED WARRANTY. KITCHENAID AND KITCHENAID CANADA DO NOT ASSUME ANY RESPONSIBILITY FOR INCIDENTAL OR CONSEQUENTIAL DAMAGES. This warranty gives you specific legal rights and you may also have other rights which vary from state to state or province to province.

Hassle-Free Replacement Warranty – 50 United States and District of Columbia

We're so confident the quality of our products meets the exacting standards of KitchenAid that, if your pasta press accessory should fail within the first year of ownership, KitchenAid will arrange to deliver an identical or comparable replacement to your door free of charge and arrange to have your original pasta press accessory returned to us. Your replacement unit will also be covered by our one year limited warranty. Please follow these instructions to receive this quality service.

If your pasta press accessory should fail within the first year of ownership, simply call our toll-free Customer Satisfaction Center at 1-800-541-6390 Monday through Friday, 8 a.m. to 8 p.m. (Eastern Time), or Saturday, 10 a.m. to 5 p.m. Give the consultant your complete shipping address. (No P.O. Box numbers, please.)

When you receive your replacement pasta press accessory, use the carton and packing materials to pack up your original pasta press accessory. In the carton, include your name and address on a sheet of paper along with a copy of the proof of purchase (register receipt, credit card slip, etc.).

Hassle-Free Replacement Warranty – Canada

We're so confident the quality of our products meets the exacting standards of the KitchenAid brand that, if your pasta press accessory should fail within the first year of ownership, KitchenAid Canada will replace your pasta press accessory with an identical or comparable replacement. Your replacement unit will also be covered by our one year limited warranty. Please follow these instructions to receive this quality service.

If your pasta press accessory should fail within the first year of ownership, take the pasta press accessory or ship collect to an Authorized KitchenAid Canada Service Centre. In the carton include your name and complete shipping address along with a copy of the proof of purchase (register receipt, credit card slip, etc.). Your replacement pasta press accessory will be returned prepaid and insured. If you are unable to obtain satisfactory service in this manner call our toll-free Customer eXperience Centre at 1-800-807-6777. Or write to us at:

Customer eXperience Centre
KitchenAid Canada
1901 Minnesota Court
Mississauga, ON L5N 3A7

How To Arrange for Warranty Service in Puerto Rico

Your pasta press accessory is covered by a one-year limited warranty from the date of purchase. KitchenAid will pay for replacement parts and labor costs to correct defects in materials and workmanship. Service must be provided by an Authorized KitchenAid Service Center.

Take the pasta press accessory or ship prepaid and insured to an Authorized KitchenAid Service Center. Your repaired pasta press accessory will be returned prepaid and insured. If you are unable to obtain satisfactory service in this manner, call toll-free 1-800-541-6390 to learn the location of a Service Center near you.

How To Arrange for Service after the Warranty Expires – All Locations

For service information in the 50 United States, District of Columbia, and Puerto Rico, call toll-free **1-800-541-6390**.

Or write to:
Customer Satisfaction Center
KitchenAid Portable Appliances
P.O. Box 218
St. Joseph, MI 49085-0218

Or contact an Authorized Service Center near you.

For service information in Canada, call toll-free **1-800-807-6777**.

Or write to:
Customer eXperience Centre
KitchenAid Canada
1901 Minnesota Court
Mississauga, ON L5N 3A7

ENGLISH

How To Arrange for Service Outside these Locations

Consult your local KitchenAid dealer or the store where you purchased the pasta press accessory for information on how to obtain service.

For service information in Mexico, call toll-free **01-800-024-17-17** (JV Distribuciones)

Or

01-800-902-31-00
(Industrias Birtman)

How To Order Accessories and Replacement Parts

To order accessories or replacement parts for your pasta press accessory in the 50 United States, District of Columbia, and Puerto Rico, call toll-free **1-800-541-6390** Monday through Friday, 8 a.m. to 8 p.m. (Eastern Time), or Saturday, 10 a.m. to 5 p.m.

Or write to:
Customer Satisfaction Center
KitchenAid Portable Appliances
P.O. Box 218
St. Joseph, MI 49085-0218

To order accessories or replacement parts for your pasta press accessory in Canada, call toll-free **1-800-807-6777**.

Or write to:
Customer eXperience Centre
KitchenAid Canada
1901 Minnesota Court
Mississauga, ON L5N 3A7

To order accessories or replacement parts for your pasta press accessory in Mexico, call toll-free **01-800-024-17-17** (JV Distribuciones)

Or

01-800-902-31-00
(Industrias Birtman)

Table des matières

INTRODUCTION

Preuve d'achat	Couverture avant intérieure
Sécurité des accessoires du batteur sur socle.....	24
Mesures de protection importantes	24

CARACTÉRISTIQUES ET OPÉRATION

Pour assembler l'accessoire presse-pâte.....	25
Plaques à pâtes alimentaires	27
Pour installer l'accessoire presse-pâte	28
Pour utiliser l'accessoire presse-pâte	29
Pour changer les plaques du presse-pâte	29
Pour desserrer l'anneau de pâtes	29
Entretien et nettoyage	30
Conseils de préparation des pâtes.....	31
Cuisson des pâtes alimentaires.....	32

RECETTES

Pâtes alimentaires de base aux oeufs	32
Pâtes alimentaires de blé léger	33
Pâtes alimentaires de blé entier.....	33
Pâtes alimentaires aux épinards.....	33
Macaroni et fromage de luxe.....	34
Minestrone classique	35
Pâtes avec sauce aux légumes frais rôtis.....	36
Salade d'asperges, de tomates et de fusilli	37
Sauce bolognaise pour les pâtes	38
Sauce aux fruits de mer à la crème	39
Rigatoni rustiques au four.....	40
Nouilles chinoises aux arachides	41

INFORMATION SUR LA GARANTIE ET LE SERVICE

Garantie KitchenAid® d'accessoires du batteur sur socle.....	42
Garantie de remplacement sans tracas – 50 États américains et District de Columbia ...	43
Garantie de remplacement sans tracas – Canada	43
Comment obtenir le service sous garantie à Puerto Rico	44
Comment obtenir le service après la fin de la garantie – tous les endroits.....	44
Comment obtenir le service à l'extérieur de ces endroits	44
Comment commander des accessoires et des pièces de rechange.....	45

Sécurité des accessoires du batteur sur socle

Votre sécurité et celle des autres est très importante.

Nous donnons de nombreux messages de sécurité importants dans ce manuel et sur votre appareil ménager. Assurez-vous de toujours lire tous les messages de sécurité et de vous y conformer.



Voici le symbole d'alerte de sécurité.

Ce symbole d'alerte de sécurité vous signale les dangers potentiels de décès et de blessures graves à vous et à d'autres.

Tous les messages de sécurité suivront le symbole d'alerte de sécurité et le mot "DANGER" ou "AVERTISSEMENT". Ces mots signifient :

! DANGER

Risque possible de décès ou de blessure grave si vous ne suivez pas immédiatement les instructions.

! AVERTISSEMENT

Risque possible de décès ou de blessure grave si vous ne suivez pas les instructions.

Tous les messages de sécurité vous diront quel est le danger potentiel et vous disent comment réduire le risque de blessure et ce qui peut se produire en cas de non-respect des instructions.

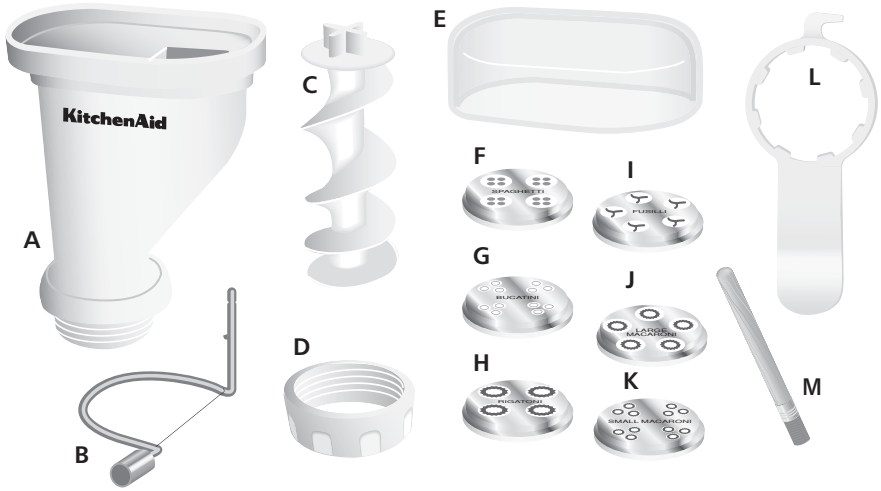
MESURES DE PROTECTION IMPORTANTES

Lors de l'utilisation d'appareils électriques, il faut observer des mesures de sécurité élémentaires, et en particulier :

1. Lire toutes les instructions.
2. Pour se protéger contre les chocs électriques, ne pas plonger le batteur dans l'eau ou dans tout autre liquide.
3. Il faut une supervision étroite lorsque l'appareil est utilisé par des enfants ou à proximité d'eux.
4. Débrancher l'appareil lorsqu'il n'est pas utilisé, avant d'installer ou d'enlever des pièces ainsi que pour le nettoyage.
5. Éviter tout contact avec des parties en mouvement. Tenir les doigts à l'écart des orifices d'introduction et de restitution des aliments.
6. Ne jamais ajouter d'éléments à la pâte à la main. Toujours utiliser l'outil combiné pour pousser les aliments.
7. Ne pas faire fonctionner le batteur avec un cordon ou une fiche endommagé(e), ou si le batteur fonctionne mal, s'il est tombé ou endommagé de quelque façon que ce soit. Retourner le batteur au centre de service autorisé le plus proche pour qu'il soit vérifié, réparé ou que les éléments électriques ou mécaniques soient ajustés.
8. L'utilisation de tout accessoire non recommandé ou vendu par KitchenAid peut provoquer des incendies, des chocs électriques ou des blessures.
9. Ne pas l'utiliser à l'extérieur.
10. Ne pas laisser le cordon pendre au bord de la table ou du comptoir.
11. Ne pas laisser le cordon toucher les surfaces chaudes, y compris la cuisinière.
12. Ce produit est réservé à l'utilisation résidentielle.
13. Voir également d'importantes consignes de sécurité accompagnant les instructions du batteur et le livret de recettes.

CONSERVEZ CES INSTRUCTIONS

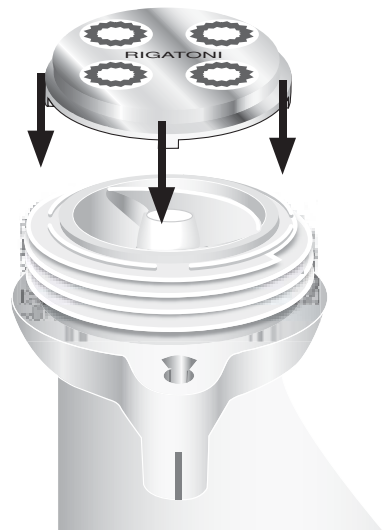
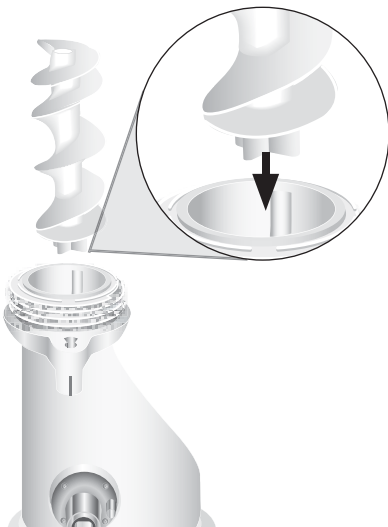
Pour assembler l'accessoire presse-pâte



- | | | |
|---|---------------------------------------|---------------------------------------|
| A - Boîtier | F - Plaque de spaghetti | K - Plaque de petits macaronis |
| B - Couteau | G - Plaque de bucatini | L - Outil combiné |
| C - Vis sans fin | H - Plaque de rigatoni | M - Brosse de nettoyage |
| D - Anneau de pâtes alimentaires | I - Plaque de fusilli | |
| E - Coffret de rangement | J - Plaque de grands macaronis | |

1. Placez le presse-pâte à l'envers sur un comptoir ou une table et insérez l'extrémité de la vis avec le pied en forme de croix (C) dans le boîtier du presse-pâte (A), en alignant le pied en forme de croix avec l'entaille correspondante à l'intérieur. Lorsqu'elle est bien placée, le dessus de la vis sans fin sera à niveau avec l'ouverture.

2. Placez l'une des plaques de pâtes alimentaires (F, G, H, I, J ou K) sur l'ouverture en alignant son centre avec la vis et en faisant correspondre les languettes de la plaque avec les encoches dans le boîtier du presse-pâte.



Pour assembler l'accessoire presse-pâte

3. Placez l'anneau (D) sur la plaque et tournez délicatement à la main jusqu'à ce qu'il soit bien serré à la main, sans trop resserrer.



4. Insérez le couteau (B) dans la douille en alignant le rebord du côté gauche de la fente tel qu'indiqué. Enfoncez jusqu'à ce qu'il soit verrouillé en place et tournez le couteau vers la droite. Le presse-pâte est maintenant prêt à installer sur le batteur sur socle.



Un outil combiné à usages multiples (L) avec crochet et clé est fourni. L'extrémité plate peut être utilisée pour aider à pousser la pâte dans le presse-pâte. La clé peut servir pour desserrer l'anneau de pâtes alimentaires du corps du presse-pâte. Le crochet peut être utilisé pour sortir la vis du boîtier.



Un coffret de rangement (E) est fourni pour ranger les plaques de pâtes alimentaires (F, G, H, I, J et K).

REMARQUE : N'utilisez pas l'outil combiné pour resserrer l'anneau de pâtes.

Plaques à pâtes alimentaires

⚠️ AVERTISSEMENT

Risque d'empoisonnement alimentaire

Ne pas laisser des aliments contenant des ingrédients périssables tels qu'œufs, produits laitiers et viandes hors du réfrigérateur pendant plus d'une heure.

Le non-respect de cette instruction peut causer un empoisonnement alimentaire ou une maladie.



SPAGHETTI (PLAQUE F)

Vitesse recommandée du batteur sur socle : 10

Longueur d'extrusion - environ 24 cm (9½").



BUCATINI (PLAQUE G)

Vitesse recommandée du batteur sur socle : 10

Longueur d'extrusion - environ 24 cm (9½").



RIGATONI (PLAQUE H)

Vitesse recommandée du batteur sur socle : 6

Longueur d'extrusion - environ 4 cm (1½").



FUSILLI (PLAQUE I)

Vitesse recommandée du batteur sur socle : 2-4

Longueur d'extrusion - traditionnelle (longue) : 24 cm (9½"); courte : 4 cm (1½").



GRANDS MACARONIS (PLAQUE J)

Vitesse recommandée du batteur sur socle : 6

Longueur d'extrusion - jusqu'à 5 cm (2").



PETITS MACARONIS (PLAQUE K)

Vitesse recommandée du batteur sur socle : 6

Longueur d'extrusion - jusqu'à 4 cm (1½").

Séparer les pâtes alimentaires fraîches

Séparez les pâtes alimentaires après l'extrusion. Les pâtes alimentaires peuvent être cuites immédiatement. Si vous les faites sécher au lieu de les faire cuire, placez les longues nouilles sur le séchoir à pâtes KitchenAid® (KPDR) ou faites sécher sur une seule épaisseur sur une serviette sur une surface à plat. Les pâtes courtes devraient être séchées sur une surface à plat.

Ranger les pâtes alimentaires fraîches

Pour ranger les pâtes alimentaires fraîches, laissez-les sécher pendant 1 heure puis enveloppez-les dans un sac de plastique étanche et réfrigérez jusqu'à 5 jours. Les longues nouilles (sauf les fusilli) peuvent être modelées en forme de "nid" avant de sécher.

Pour installer l'accessoire presse-pâte

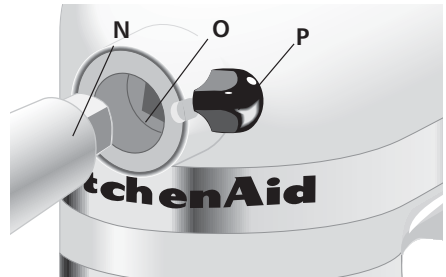
Avant d'installer l'accessoire presse-pâte

Retirez l'étiquette "N'immergez pas dans l'eau" et retirez le coffret de rangement du dessus du boîtier des accessoires.

Pour installer :

1. Mettez le contrôle de vitesse du batteur sur socle à OFF (arrêt).
2. Débrancher le batteur sur socle.
3. Desserrez le bouton d'accessoire (P) en le tournant dans le sens antihoraire.
4. Retirez le couvercle d'emboîtement d'accessoire ou relevez-le.
5. Insérez le boîtier de l'arbre d'accessoire (N) dans l'emboîtement d'accessoire (O), en vous assurant que l'arbre de courant des accessoires s'ajuste dans la douille d'emboîtement carrée.

6. Il sera peut-être nécessaire de faire pivoter l'accessoire d'avant en arrière. Lorsque l'accessoire est en bonne position, la goupille du boîtier de l'accessoire s'ajustera dans l'encoche du bord de l'emboîtement.
7. Resserrez le bouton de l'accessoire en le tournant dans le sens horaire jusqu'à ce que l'accessoire soit bien en place dans le batteur sur socle.



Pour utiliser l'accessoire presse-pâte

AVERTISSEMENT



Danger avec la lame rotative
Toujours utiliser un poussoir pour introduire les aliments.
Ne pas approcher les doigts des ouvertures.
Conserver hors de portée des enfants.
Le non-respect de ces instructions peut causer une amputation ou des coupures.

1. Réglez la vitesse du batteur sur socle entre 6 et 10 selon le type de pâtes et la préférence personnelle. Pour de meilleurs résultats, les fusilli devraient être extrudés à une vitesse maximum de 6. Des vitesses plus lentes sont aussi recommandées pour les pâtes très courtes. Les pâtes plus longues, comme les spaghetti, peuvent être extrudées à des vitesses plus rapides.
2. Incorporez lentement des morceaux de pâte d'une taille de noix dans la trémie; la pâte devrait s'acheminer elle-même. La vis de broyage sans fin devrait être visible avant que le morceau de pâte suivant ne soit ajouté.

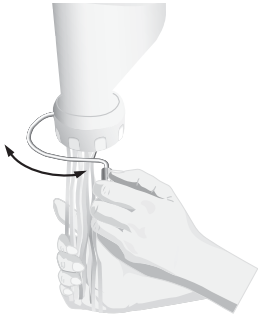


Pour utiliser l'accessoire presse-pâte

3. Utilisez l'outil combiné pour pousser la pâte seulement si elle se prend dans la trémie et ne s'achemine plus elle-même.



4. Utilisez le couteau de pâte à fil de bras mobile pour couper les pâtes à la longueur voulue lorsqu'elle sort du presse-pâte. Voir "Plaques à pâtes alimentaires" pour les longueurs recommandées.



5. Séparez les pâtes alimentaires selon la description de "Plaques à pâtes alimentaires".

Pour changer les plaques des pâtes alimentaires :

1. Mettez le contrôle de vitesse du batteur sur socle à OFF (arrêt).
2. Débrancher le batteur sur socle.
3. Retirez l'accessoire du presse-pâte du batteur sur socle.
4. Retirez le couteau, l'anneau de pâtes alimentaires, la vis sans fin et retirez la pâte du boîtier du presse-pâte.
5. Remontez ensuite l'accessoire selon la description "Pour assembler l'accessoire du presse-pâte".

Pour desserrer l'anneau de pâtes :

1. Si l'anneau est trop serré pour le retirer à la main, glissez la clé sur les rainures.
2. Tournez l'anneau dans la direction indiquée par la flèche vers OPEN (OUVRIR).



REMARQUE : N'utilisez pas la clé pour fixer l'anneau au boîtier du presse-pâte. Cela pourrait endommager l'accessoire.

Entretien et nettoyage

Pour nettoyer :

1. Mettez la commande de vitesse du batteur sur socle à OFF (arrêt).
2. Débrancher le batteur sur socle.
3. Démontez entièrement le presse-pâte.
4. Utilisez l'extrémité de la clé de l'outil combiné pour desserrer l'anneau de pâtes. Utilisez le crochet pour sortir la vis du boîtier de presse-pâte.



5. Laissez la pâte qui reste sur les plaques de pâtes sécher pendant la nuit avant de séparer. Retirez la pâte bien sèche avec la brosse de nettoyage. Utilisez un cure-dents ou une brochette en bois pour retirer le surplus de pâte. N'utilisez pas d'objets métalliques et ne mettez pas les plaques dans le lave-vaisselle pour les nettoyer.
6. La vis sans fin, l'anneau de pâtes, l'outil combiné et le coffret de rangement se lavent tous au lave-vaisselle.

REMARQUE : Ne lavez pas le boîtier au lave-vaisselle ni l'immergez dans de l'eau ou d'autres liquides. Le couteau et les plaques à pâtes doivent être lavés à la main dans une eau tiède savonneuse et être soigneusement séchés.

REMARQUE : Ces accessoires sont conçus seulement pour être utilisés avec la pâte à pâtes alimentaires. Pour éviter d'endommager votre presse-pâte, n'insérez rien d'autre que la pâte à pâtes alimentaires.

Conseils de préparation des pâtes

REMARQUE : Le batteur doit reposer pendant au moins une heure après l'extrusion de 2 recettes consécutives de pâtes.

Pâte

- Apprendre à préparer des pâtes alimentaires n'est qu'une question de pratique. Si vous n'avez pas préparé de pâtes alimentaires, vous devez peut-être préparer plusieurs lots de pâtes avant de vous sentir à l'aise. Nous recommandons d'essayer avec la recette de pâtes alimentaires de base aux oeufs.
- Le rapport de liquide à farine n'est pas élevé ce qui rend la pâte à pâtes alimentaires ferme et tannée, mais encore pliable. Il est extrêmement important d'avoir la bonne proportion d'ingrédients pour une bonne consistance de pâte, car les pâtes qui sont trop humides ou trop sèches seront difficiles à travailler. Pour vous aider à obtenir des résultats constants, les recettes de pâtes dans ce livret spécifient de la farine tamisée. Pour tamiser la farine, suivez cette procédure : placez la tasse à mesurer d'ingrédients secs sur un large morceau de papier ciré et tenez le tamis directement au-dessus et près de la tasse. Mettez de la farine dans le tamis et tamisez jusqu'à ce que la farine dépasse le dessus de la tasse. Utilisez le côté plat d'une spatule et retirez le surplus de farine de la tasse à mesurer.
- Il pourrait y avoir à l'occasion des morceaux de pâtes non mélangés dans le bol après le mélange initial avec le batteur plat. Ces morceaux seront assez incorporés par le pétrissage du batteur suivi par un pétrissage à la main ce qui raffermira et lisse la texture de la pâte.

Conseils de préparation des pâtes

- De nombreux facteurs peuvent affecter la consistance de la pâte tels que l'humidité, la marque de farine utilisée et la taille des œufs. Pour aider à compenser ce problème d'humidité, commencez le mélange initial seulement avec la farine tamisée et les œufs. Testez la bonne consistance de la pâte en pinçant une petite quantité de pâte ensemble après avoir mélangé avec le batteur plat. La pâte devrait rester compacte sans coller aux doigts. Il faudra peut-être ajouter une petite quantité de farine ou d'eau pour obtenir une bonne consistance de pâte.
- Si la pâte préparée est trop humide ou collante pour l'extrusion, saupoudrez tout simplement de la farine ou ajoutez une petite quantité de farine dans la pâte avant de la placer dans l'extrudeur.
- Séparez les pâtes alimentaires immédiatement après l'extrusion. Étalez un paquet de nouilles sur une serviette déposée sur une surface à plat et séparez des extrémités sèches des brins. Faites sécher sur une seule épaisseur. Les longs bâtonnets de pâte peuvent être placés sur un séchoir à pâtes KitchenAid® (KPDR).
- Les pâtes alimentaires maison réagissent de manière différente de celles achetées au magasin. Puisque les longues nouilles se plient en séchant et sont plus fragiles, elles exigent une manipulation soignée avant la cuisson.

Utiliser votre presse-pâte et le batteur sur socle KitchenAid®

- Les longues nouilles et les macaroni ont tendance à tourner dans différentes directions pendant l'extrusion à travers la plaque. Les premiers 25 cm (10") de nouilles ondulées peuvent être retirés et retournés dans la trémie pour une autre extrusion. Les pâtes sortent lentement au début, puis plus vite lorsque plus de pâte est extrudée.

AVERTISSEMENT

Risque d'empoisonnement alimentaire

Ne pas laisser des aliments contenant des ingrédients périssables tels qu'œufs, produits laitiers et viandes hors du réfrigérateur pendant plus d'une heure.

Le non-respect de cette instruction peut causer un empoisonnement alimentaire ou une maladie.

Ranger vos pâtes alimentaires

- Rangez les pâtes alimentaires séchées dans un contenant de verre hermétique ou de plastique presque indéfiniment dans un endroit sombre et frais. Par contre, ne rangez pas les pâtes séchées de blé entier pendant plus d'un mois, car elles deviendront rances.
- Pour ranger les pâtes alimentaires fraîches, laissez-les sécher pendant 1 heure puis enveloppez-les dans un sac de plastique étanche et réfrigérez jusqu'à 5 jours. Pour congeler, enveloppez les pâtes dans deux épaisseurs et gardez-les congelées jusqu'à 4 mois. Pour utiliser les pâtes alimentaires fraîches congelées, ne les décongelez pas. Vous devez les faire passer directement du congélateur dans de l'eau bouillante.

Cuisson des pâtes alimentaires

AVERTISSEMENT

Risque d'empoisonnement alimentaire

Ne pas laisser des aliments contenant des ingrédients périssables tels qu'œufs, produits laitiers et viandes hors du réfrigérateur pendant plus d'une heure.

Le non-respect de cette instruction peut causer un empoisonnement alimentaire ou une maladie.

FRANÇAIS

Ajoutez 10 ml (2 cuillérées à thé) de sel et 15 ml (1 cuillérée à table) d'huile (optionnel) à 5,7 L (6 pintes) d'eau bouillante. Ajoutez graduellement les pâtes alimentaires et continuez à faire cuire à ébullition jusqu'à ce que les pâtes soient "al dente" ou un peu fermes. Les pâtes alimentaires flottent sur le dessus de l'eau

en cuisant, remuez donc à l'occasion pour une cuisson uniforme. Égouttez dans une passoire.

- Pâtes alimentaires sèches – 7 minutes
- Pâtes alimentaires fraîches – 2 à 5 minutes selon l'épaisseur des nouilles

Pâtes alimentaires de base aux oeufs

- 4 gros œufs
- 830 ml (3½ tasses) de farine tout usage tamisé
- 15 ml (1 cuillérées à table) d'eau
- 2 ml (1/2 cuillérée à thé) de sel

Cassez les œufs dans une tasse à mesurer en verre. Assurez-vous que la quantité d'œufs correspond à $\frac{7}{8}$ de tasse (207 ml). Si elle équivaut à moins de $\frac{7}{8}$ tasse (207 ml), ajoutez de l'eau, 1 cuillérée (2 ml) à la fois, jusqu'à ce que la quantité atteigne la mesure recherchée.

Placez la farine et le sel dans le bol du batteur sur socle. Installez le bol et le batteur plat. Placez le batteur à la vitesse 2 et ajouter progressivement des œufs et 1 cuillérée (15 ml) d'eau. Mélangez pendant 30 secondes. Arrêtez le batteur et remplacez le batteur plat par le crochet pétrisseur. Placez le batteur à la vitesse 2 et pétrissez pendant 2 minutes.

Retirez le mélange du bol et placez-le sur une surface propre. La pâte peut présenter une apparence granuleuse. Pétrissez-la à la main de 30 secondes à 1 minute ou jusqu'à ce que la pâte soit lisse, souple et que l'on puisse en faire une boule sans qu'elle ne se déroule.

Formez des morceaux de pâte de la taille d'une noix et étirez la pâte selon la forme souhaitée. Divisez les morceaux et séchez-les tel que souhaité, puis suivez les instructions de cuisson ci-dessus.

Donne : environ 579 g (1¼ livre) de pâte.

Pâtes alimentaires de blé léger

- 590 *ml (2 1/2 tasses) de farine de blé entier tamisée* Placez la farine de blé entier, la farine à pain, les œufs, l'eau et le sel dans le bol du batteur sur socle. Installez le bol et le batteur plat. Mettez le batteur à la vitesse 2 et mélangez pendant 30 secondes.
- 235 *ml (1 tasse) de farine non blanchie ou à pain tamisée* Changez le batteur plat pour le crochet pétrisseur. Mettez le batteur à la vitesse 2 et pétrissez pendant 2 minutes. Retirez la pâte du bol et pétrissez à la main pendant 1 à 2 minutes.
- 4 *gros œufs (208 ml [7/8 tasse] d'œufs)*
- 30 *ml (2 cuillerées à table) d'eau* Formez des morceaux de pâte de la taille d'une noix et extrudez la pâte selon la forme voulue. Séparez et séchez au goût, puis suivez les instructions de cuisson des pâtes alimentaires.
- 2 *ml (1/2 cuillerée à thé) de sel*
- Donne : 565 g (1 1/4 livre) de pâte.

Pâtes alimentaires de blé entier

- 4 *gros œufs (208 ml [7/8 tasse] d'œufs)* Placez les œufs, l'eau, la farine de blé entier et le sel dans le bol du batteur. Installez le bol et le batteur plat. Mettez le batteur à la vitesse 2 et mélangez pendant 30 secondes.
- 30 *ml (2 cuillerées à table) d'eau* Changez le batteur plat pour le crochet pétrisseur. Mettez le batteur à la vitesse 2 et pétrissez pendant 2 minutes. Retirez la pâte du bol et pétrissez à la main pendant 2 minutes.
- 830 *ml (3 1/2 tasses) de farine de blé entier*
- 2 *ml (1/2 cuillerée à thé) de sel* Formez des morceaux de pâte de la taille d'une noix et extrudez la pâte selon la forme voulue. Séparez et séchez au goût, puis suivez les instructions de cuisson des pâtes alimentaires.
- Donne : 565 g (1 1/4 livre) de pâte.

Pâtes alimentaires aux épinards

- 1 *paquet de 285 g (10 oz) d'épinards hachés surgelés, décongelés.* Placez les épinards sur une serviette et exprimez l'eau jusqu'à ce que les épinards soient très secs au toucher. Hachez finement les épinards avec un hachoir, un robot culinaire ou un mélangeur.
- 15 *ml (1 cuillerée à table) d'eau* Placez les épinards hachés, l'eau, les œufs et la farine dans le bol du batteur. Installez le bol et le batteur plat. Mettez le batteur à la vitesse 2 et mélangez pendant 30 secondes.
- 4 *gros œufs (208 ml [7/8 tasse] d'œufs)*
- 945 *ml (4 tasses) de farine tout usage tamisée* Changez le batteur plat pour le crochet pétrisseur. Mettez le batteur à la vitesse 2 et pétrissez pendant 2 minutes. Retirez la pâte du bol et pétrissez à la main pendant 1 à 2 minutes.
- Formez des morceaux de pâte de la taille d'une noix et extrudez la pâte selon la forme voulue. Séparez et séchez au goût, puis suivez les instructions de cuisson des pâtes alimentaires.
- Donne : 680 g (1 1/2 livre) de pâte.

Macaroni et fromage de luxe

- 45 ml (3 cuillérées à table) de beurre
- 30 ml (2 cuillérées à table) d'oignon finement haché
- 30 ml (2 cuillérées à table) de farine
- 780 ml (3 tasses) de lait
- 120 ml (4 oz) de fromage cheddar très fort râpé
- 120 ml (4 oz) de fromage Fontina, râpé
- 5 ml (1 cuillère à thé) de sauce Worcestershire
- 1 ml (1/4 cuillère à thé) de sel d'ail
- 0,5 ml (1/8 cuillère à thé) de poivre
- 0,5 ml (1/8 cuillère à thé) de paprika
- 1 pâtes alimentaires aux œufs de base extrudées en larges macaroni courts, cuits et égouttés

Faites fondre le beurre dans une grande casserole à feu moyen. Ajoutez l'oignon et faites cuire en brassant à l'occasion pendant 4 à 5 minutes ou jusqu'à ce que l'oignon soit translucide. Ajoutez la farine et faites cuire pendant une autre minute. Fouettez pour incorporer le lait et continuez la cuisson à feu moyen jusqu'à ce que le mélange commence à bouillir et s'épaississe un peu. Réduisez la chaleur et incorporez les fromages cheddar et Fontina en brassant, mélangez jusqu'à ce que tout soit fondu et bien incorporé. Ajoutez la sauce Worcestershire, le sel d'ail, le poivre et le paprika en mélangeant bien pour combiner. Retirez de la chaleur et mettez de côté.

Placez le mélange de fromage et les macaroni cuits dans un large bol en mélangeant bien pour combiner. Transférez le mélange dans un moule graissé de 23 cm x 33 cm x 5 cm (9" x 13" x 2"). Couvrez bien d'une feuille d'aluminium et faites cuire à 180 °C (350 °F) pendant 25 à 30 minutes. Retirez la feuille et faites cuire 10 autres minutes pour que le dessus soit doré et croustillant. Servez immédiatement.

Donne : 10 portions.

Par portion : environ 214 calories, 11 g pro, 16 g glucides, 12 g gras total, 56 mg chol, 258 mg sod.

Minestrone classique

- 45 ml (3 cuillérées à table) d'huile d'olive
- 2 branches de céleri, taillées et coupées en morceaux de 0,65 cm (1/4")
- 3 carottes, pelées et coupées en morceaux de 0,65 cm (1/4")
- 2 petites courgettes, taillées et coupées en tranches de 0,65 cm (1/4")
- 1 petit oignon, haché
- 1 échalote, hachée finement
- 1 paquet de 946 ml (32 oz) de bouillon de poulet
- 2 boîtes (429 ml [14,5 oz] chacune) de petites tomates coupées en dés avec leur jus
- 5 ml (1 cuillérée à thé) d'origan séché
- 5 ml (1 cuillérée à thé) de basilic séché
- 1 ml (1/4 cuillérée à thé) de poivre
- 1/2 pâtes alimentaires aux œufs de base extrudées en petits macaroni courts, non cuits
- 1 boîte (467 ml [15,8 oz]) de fèves blanches, rincées et égouttées

Faites chauffer l'huile d'olive dans une grande casserole à feu moyen élevé. Ajoutez le céleri, les carottes, la courgette, l'oignon et l'échalote. Faites cuire et brassez de 4 à 5 minutes ou jusqu'à ce que les légumes soient tendres.

Ajoutez le bouillon de poulet, les tomates, l'origan, le basilic et le poivre. Augmentez la chaleur à un niveau élevé et amenez le tout à ébullition. Ajoutez les pâtes alimentaires et continuez à faire bouillir jusqu'à ce que les pâtes soient "al dente", environ 4 à 5 minutes. Réduisez la chaleur à basse température et brassez en ajoutant les fèves. Laissez mijoter pendant 5 autres minutes ou jusqu'à ce que les fèves soient bien réchauffées. Servez immédiatement.

Donne : 10 portions.

Par portion : environ 97 calories, 4 g pro, 16 g glucides, 2 g gras, 9 mg chol, 466 mg sod.

Pâtes avec sauce aux légumes frais rôtis

- 60 ml (4 cuillérées à table) d'huile d'olive, divisée
- 1 petite courgette, taillée et coupée en morceaux de 0,65 cm (1/4")
- 1 petite courge jaune, taillée et coupée en morceaux de 0,65 cm (1/4")
- 1 petit oignon, haché
- 3 gousses d'ail, haché fin
- 1 paquet de 235 ml (8 oz) de champignons en bouton ou bébé Bella tranchés
- 8 larges tomates mûres Roma, pelées et sans grains si vous voulez et coupées en tranches de 1,25 cm (1/2")
- 5 ml (1 cuillère à thé) de sel
- 0,5 ml (1/8 cuillère à thé) de poivre
- 120 ml (1/2 tasse) de bouillon de poulet ou de légumes (si désiré)
- 1/2 pâtes alimentaires aux œufs de base extrudées en larges macaroni courts, cuits et drainés
- 30 ml (2 cuillérées à table) de feuilles de basilic haché grossièrement
- 30 ml (2 cuillérées à table) de persil italien à feuilles plates haché grossièrement
- 235 ml (1/2 tasse) de fromage Parmesan

Enduisez le fond et les côtés d'un large moule en verre ou de céramique de 15 ml (1 cuillère à table) d'huile d'olive. Placez la courgette, la courge jaune, l'oignon, l'ail, les champignons, les tomates, le sel et le poivre dans un moule. Versez le reste de l'huile et mélangez bien. Faites cuire à 220 °C (425 °F) pendant une heure en mélangeant aux 20 minutes jusqu'à ce que les légumes soient tendres et caramélisés.

Retirez du four et ajoutez le bouillon, s'il y a lieu, pour dégager les morceaux brunis du fond du moule et ajouter d'autres liquides. Laissez reposer pendant 10 minutes. Ajoutez les pâtes alimentaires cuites et chaudes, le basilic, le persil et le fromage Parmesan. Mélangez bien pour combiner et servez immédiatement.

Donne : 8 portions.

Par portion : environ 149 calories, 6 g pro, 12 g glucides, 9 g gras, 17 mg chol, 476 mg sod.

Salade d'asperges, de tomates et de fusilli

- 455 g (1 livre) d'asperges, taillées et coupées en morceaux de 2,5 cm (1")
- 1 poivron jaune moyen, sans pépins et en dés
- 1 paquet de 550 ml (1 chopine) de petites tomates de vigne, coupées en deux
- 2 oignons verts, taillés et tranchés minces
- 120 ml (4 oz) de fromage provolone fumé, en dés
- 60 ml (1/4 tasse) de persil haché
- 120 ml (1/2 tasse) d'huile d'olive
- 30 ml (2 cuillérées à table) de vinaigre balsamique
- 45 ml (3 cuillérées à table) de vinaigre de vin rouge
- 2 gousses d'ail, haché fin
- 2 ml (1/2 cuillérée à thé) de sel
- 0,5 ml (1/8 cuillérée à thé) de poivre
- 1/2 pâtes alimentaires aux œufs de base extrudées en fusilli courts, cuits, rincés et refroidis

Amenez une casserole moyenne avec 475 ml (2 tasses) d'eau à ébullition à feu élevé. Ajoutez les asperges, couvrez et continuez à faire bouillir pendant 2 à 3 minutes ou jusqu'à qu'ils soient tendres. Retirez les asperges de la casserole et plongez immédiatement dans l'eau froide. Rincez bien et placez dans un large bol. Ajoutez le poivron jaune, les tomates, les oignons verts, le fromage provolone et le persil. Mélangez bien et mettez de côté.

Dans un petit bol, fouettez ensemble l'huile, les vinaigres, l'ail, le sel et le poivre. Versez le mélange sur les légumes et laissez reposer pendant 15 minutes. Ajoutez les pâtes cuites et mélangez bien pour combiner.

Couvrez et réfrigérez pendant une heure ou jusqu'à ce que le tout soit refroidi. Servez froid.

Donne : 8 portions.

Par portion : environ 226 calories, 6 g pro, 11 g glucides, 18 g gras, 21 mg chol, 297 mg sod.

Sauce bolognaise pour les pâtes

Servez avec des spaghetti ou des pâtes bucatini

455 g (1 livre) de bœuf haché maigre

455 g (1 livre) de porc haché

2 carottes, pelées et hachées finement

2 branches de céleri, hachées finement

1 oignon moyen, haché finement

4 gousses d'ail, haché fin

120 ml (1/2 tasse) de vin rouge sec

2 boîtes (828 ml [28 oz] chacune) de tomates broyées

2 boîtes (177 ml [6 oz] chacune) de pâte de tomate

1 boîte (428 ml [14,5 oz]) de bouillon de poulet ou de bœuf

10 ml (2 cuillérées à thé) de basilic séché

10 ml (2 cuillérées à thé) d'origan séché

2 feuilles de laurier frais

2 ml (1/2 cuillérée à thé) de flocons de poivre de Cayenne broyés

10 ml (2 cuillérées à thé) de sucre

Sel et poivre au goût

Dans une grande poêle ou un faitout à feu moyen à élevé, faites cuire et émiettez le bœuf et le porc hachés, pendant environ 5 minutes. Ajoutez les carottes, le céleri, l'oignon et l'ail à la poêle et continuez à faire cuire tout en séparant le mélange jusqu'à ce que la viande soit bien cuite, environ 8 à 9 minutes. Retirez de la chaleur et égouttez le surplus de gras. Remettez dans la poêle à feu moyen et ajoutez le vin rouge. Faites cuire et brassez pendant 3 minutes. Ajoutez les derniers ingrédients, réduisez le feu et laissez mijoter pendant une heure en mélangeant à l'occasion. Retirez les feuilles de laurier et servez sur des pâtes alimentaires chaudes.

Donne : 10 portions.

Par portion : environ 268 calories, 21 g pro, 22 g glucides, 11 g gras, 57 mg chol, 820 mg sod

Sauce aux fruits de mer à la crème

- Servez avec de larges macaroni ou fusilli*
- 235 ml (8 oz) de crevettes, épluchées et déveinées
- 235 ml (8 oz) de pétoncles de baie
- 30 ml (2 cuillérées à table) de beurre
- 1 petite échalote, hachée finement
- 60 ml (1/4 tasse) de vin blanc sec
- 235 ml (1 tasse) de crème 11,5% M.G.
- 235 ml (1 tasse) de fromage Parmesan râpé
- 1 ml (1/4 cuillérée à thé) de sel
- 0,5 ml (1/8 cuillérée à thé) de poivre
- Pincée de muscade

Placez les crevettes et les pétoncles entre des épaisseurs d'essuie-tout pour retirer le surplus d'humidité, mettez de côté. Faites fondre le beurre dans une large casserole à feu moyen. Ajoutez l'échalote et faites sauter pendant 2 à 3 minutes en brassant à l'occasion. Ajoutez les crevettes et les pétoncles à la casserole et faites cuire en brassant à l'occasion pendant 3 à 4 minutes ou jusqu'à ce que les fruits de mer deviennent opaques. Ajoutez le vin blanc et faites mijoter le mélange pendant 1 à 2 minutes. Ajoutez la crème 11,5% M.G., le fromage Parmesan, le sel, le poivre et la muscade. Continuez à faire cuire en brassant à l'occasion, jusqu'à ce que le mélange commence à mijoter et le fromage à fondre. Ne faites pas bouillir. La sauce sera diluée. Retirez immédiatement du feu et ajoutez aux pâtes alimentaires chaudes.

Donne : 6 portions.

Par portion : environ 248 calories, 22 g pro, 5 g glucides, 14 g gras, 109 mg chol, 608 mg sod.

Rigatoni rustiques au four

- 15 ml (1 cuillère à table) d'huile d'olive
- 2 poitrines de poulet désossées et sans peau, tranchées en morceaux de 0,65 cm (1/4")
- 2 saucisses italiennes, tranchées en diagonale en morceaux de 0,65 cm (1/4")
- 1 petit oignon, tranché
- 1 petit poivron vert, sans pépins et tranché
- 2 grosses gousses d'ail, haché fin
- 5 ml (1 cuillère à thé) de romarin frais haché
- 0,5 ml (1/8 cuillère à thé) de poivre de Cayenne
- 1 boîte (428 ml [14,5 oz]) de petites tomates broyées avec leur jus
- 175 ml (3/4 tasse) de crème 11,5 % M.G.
- 1/2 pâtes alimentaires aux œufs de base extrudées en rigatoni courts, cuits et égouttés
- 120 ml (1/2 tasse) de fromage mozzarella râpé en filaments
- 60 ml (1/4 tasse) de fromage Romano râpé

Faites chauffer l'huile dans une grande casserole à feu moyen. Ajoutez le poulet et les saucisses et faites cuire en brassant à l'occasion pendant 5 à 6 minutes. Ajoutez l'oignon, le poivron vert et l'ail. Continuez à faire cuire et à brasser jusqu'à ce que la viande soit bien cuite et les légumes tendres, environ 6 à 7 minutes. Ajoutez le romarin, le poivre de Cayenne et les tomates. Brassez bien pour combiner et laissez mijoter. Ajoutez la crème 11,5% M.G. et retirez le mélange de la chaleur. Ajoutez les pâtes cuites et mélangez bien pour combiner. Transférez le mélange dans un plat de cuisson graissé de 2,3 litres (2 1/2 pintes). Saupoudrez de fromages mozzarella et Romano. Faites cuire à 180 °C (350 °F) pendant 15 à 20 minutes ou jusqu'à ce que le tout soit bien chaud. Servez immédiatement.

Donne : 8 portions.

Par portion : environ 369 calories, 24 g pro, 15 g glucides, 24 g gras, 94 mg chol, 587 mg sod.

Nouilles chinoises aux arachides

- 235 ml (1 tasse) de beurre d'arachides naturel
60 ml (4 cuillérées à table) d'huile d'olive
90 ml (6 cuillérées à table) de jus de lime frais
160 ml (2/3 tasse) de sauce soya légère
30 ml (2 cuillérées à thé) de sucre
2 gousses d'ail, haché fin
1 ml (1/4 cuillérée à thé) de poivre de Cayenne
1 ml (1/4 cuillérée à thé) de cumin
1 recette de pâtes alimentaires aux œufs de base extrudées en spaghetti, cuits, égouttés et refroidis
355 ml (1 1/2 tasse) de carottes taillées en julienne
3 oignons verts, parés et coupés fins
45 ml (3 cuillérées à table) de persil frais haché

Combinez le beurre d'arachide, l'huile d'olive, le jus de lime, la sauce soya, le sucre, l'ail, le poivre de Cayenne et le cumin dans un petit bol. Fouettez jusqu'à ce que le mélange soit lisse. Mettez de côté pendant 15 minutes pour que les saveurs se marient.

Placez les pâtes, les carottes, les oignons verts et le persil dans un large bol. Versez la sauce mise de côté sur le mélange et brassez pour combiner. Couvrez et réfrigérez pendant une heure ou jusqu'à ce que le tout soit refroidi. Servez froid.

Donne : 10 portions.

Par portion : environ 272 calories, 9 g pro, 19 g glucides, 19 g gras, 19 mg chol, 818 mg sod.

Garantie KitchenAid® d'accessoires du batteur sur socle

Durée de la garantie :	KitchenAid prendra en charge :	KitchenAid ne prendra pas en charge :
<p>50 États des États-Unis, le district fédéral de Columbia, le Canada et Puerto Rico : Garantie limitée d'un an à compter de la date d'achat.</p>	<p>50 États des États-Unis, district fédéral de Columbia et le Canada : Garantie de satisfaction totale et de remplacement de votre accessoire presse-pâte. Consultez la page suivante pour obtenir des détails sur la façon de remplacer l'accessoire presse-pâte. OU À Puerto Rico : Les coûts des pièces de rechange et de main-d'œuvre pour corriger les défauts de matériaux et de fabrication. Le service après-vente doit être assuré par un Centre de service autorisé KitchenAid. Pour obtenir une réparation, suivez les directives.</p>	<p>A. Les réparations découlant de l'utilisation de l'accessoire presse-pâte dans un contexte autre qu'un foyer unifamilial normal. B. Les dommages attribuables aux causes suivantes : un accident, une modification, une mauvaise utilisation, un emploi abusif ou une utilisation non approuvée par KitchenAid. C. Les coûts des pièces de rechange ou de main-d'œuvre pour l'accessoire presse-pâte si ce dernier est utilisé à l'extérieur du pays d'achat.</p>

FRANÇAIS

EXONÉRATION DE GARANTIE TACITE, LIMITATION DES RECOURS. LES GARANTIES TACITES, Y COMPRIS DANS LA MESURE APPLICABLE LES GARANTIES DE QUALITÉ MARCHANDE OU D'APTITUDE À UN EMPLOI PARTICULIER, SONT EXCLUES DANS LA MESURE AUTORISÉE PAR LA LOI. TOUTE GARANTIE TACITE IMPOSÉE PAR LA LOI EST LIMITÉE À UN AN, OU LA DURÉE MINIMUM PERMISE PAR LA LOI. PUISQUE CERTAINES JURIDICTIONS NE PERMETTENT PAS L'EXCLUSION OU LA LIMITATION DE DURÉE DES GARANTIES IMPLICITES DE QUALITÉ MARCHANDE OU D'APTITUDE À UN EMPLOI PARTICULIER, LES LIMITATIONS CI-DESSUS PEUVENT DONC NE PAS S'APPLIQUER À VOUS.

SI CET APPAREIL NE FONCTIONNE PAS COMME GARANTI, LE SEUL ET EXCLUSIF RECOURS DES CLIENTS EST LA RÉPARATION OU LE REMPLACEMENT SELON LES DISPOSITIONS DE LA GARANTIE LIMITÉE. KITCHENAID ET KITCHENAID CANADA N'ASSUMENT AUCUNE RESPONSABILITÉ EN CAS DE DOMMAGES ACCESSOIRES OU INDIRECTS. Cette garantie vous confère des droits spécifiques auxquels peuvent s'ajouter d'autres droits variant d'un État ou d'une province à l'autre.

Garantie de remplacement sans tracas – 50 États américains et District de Columbia

Nous sommes tellement certains que la qualité de nos produits satisfait aux normes exigeantes de KitchenAid que, si votre accessoire presse-pâte cesse de fonctionner au cours de la première année, KitchenAid livrera gratuitement un remplacement identique ou comparable à votre porte et s'occupera de récupérer l'accessoire presse-pâte original. Votre remplacement sera aussi couvert par notre garantie limitée d'un an. Veuillez suivre ces instructions pour recevoir ce service de qualité.

Si votre accessoire presse-pâte cesse de fonctionner durant la première année, il

suffit d'appeler le numéro sans frais 1-800-541-6390 du Centre de satisfaction de la clientèle du lundi au vendredi de 8 h à 20 h (heure de l'Est) ou le samedi de 10 h à 17 h. Fournissez votre adresse de livraison complète au représentant. (Pas de boîte postale).

Quand vous recevrez votre presse-pâte de rechange, veuillez utiliser le carton et les matériaux d'emballage pour emballer l'accessoire presse-pâte original. Écrivez vos nom et adresse sur une feuille de papier et mettez-la dans le carton avec une copie de la preuve d'achat (reçu de caisse, facture de règlement par carte de crédit, etc.)

Garantie de remplacement sans tracas – Canada

Nous sommes tellement certains que la qualité de nos produits satisfait aux normes exigeantes de KitchenAid que, si votre accessoire presse-pâte cesse de fonctionner au cours de la première année, KitchenAid Canada le remplacera par un remplacement identique ou comparable. Votre remplacement sera aussi couvert par notre garantie limitée d'un an. Veuillez suivre ces instructions pour recevoir ce service de qualité.

Si votre accessoire presse-pâte cesse de fonctionner au cours de la première année, apportez-le ou retournez-le en port dû à un Centre de Service autorisé

KitchenAid Canada. Écrivez vos nom et adresse complète sur une feuille de papier et mettez-la dans le carton avec une copie de la preuve d'achat (reçu de caisse, facture de règlement par carte de crédit, etc.) Votre accessoire presse-pâte de rechange sera expédié en port prépayé et assuré. Si le service ne s'avère pas satisfaisant, appelez le numéro sans frais du Centre d'eXpérience à la clientèle : 1-800-807-6777. Ou écrivez à :

Centre d'eXpérience à la clientèle
KitchenAid Canada
1901 Minnesota Court
Mississauga, ON L5N 3A7

Comment obtenir le service sous garantie à Puerto Rico

Votre accessoire presse-pâte est couvert par une garantie limitée d'un an à partir de la date d'achat. KitchenAid prendra en charge les coûts des pièces de rechange et de main-d'œuvre pour corriger les défauts de matériaux et de main-d'œuvre. Le service après-vente doit être assuré par un Centre de service autorisé KitchenAid.

Apportez l'accessoire presse-pâte ou retournez-le port payé et assuré à un Centre de service autorisé KitchenAid. Votre accessoire presse-pâte réparé vous sera retourné port prépayé et assuré. S'il est impossible d'obtenir des réparations satisfaisantes de cette manière, appelez le numéro sans frais 1-800-541-6390 pour obtenir l'adresse d'un Centre de service près de chez vous.

Comment obtenir le service après la fin de la garantie – tous les endroits

Pour obtenir de l'information sur les réparations dans les 50 États des États-Unis, le district fédéral de Columbia et Puerto Rico, appelez le numéro sans frais 1-800-541-6390.

Ou écrivez à :

Centre de satisfaction de la clientèle
KitchenAid Portable Appliances
P.O. Box 218
St. Joseph, MI 49085-0218

Ou contactez un centre de service autorisé près de chez vous.

Pour obtenir de l'information sur les réparations au Canada, appelez le numéro sans frais 1-800-807-6777.

Ou écrivez à :

Centre d'Expérience à la clientèle
KitchenAid Canada
1901 Minnesota Court
Mississauga, ON L5N 3A7

Comment obtenir le service à l'extérieur de ces endroits

Demandez à votre distributeur local KitchenAid ou au détaillant où l'accessoire presse-pâte a été acheté où le faire réparer.

Pour obtenir de l'information sur les réparations au Mexique, appelez le

numéro sans frais
01-800-024-17-17
(JV Distribuciones)

ou

01-800-902-31-00
(Industrias Birtman)

Comment commander des accessoires et des pièces de rechange

Pour commander des accessoires ou des pièces de rechange pour votre accessoire presse-pâte dans les 50 États des États-Unis, dans le district fédéral de Columbia et à Puerto-Rico, appelez sans frais le 1-800-541-6390 du lundi au vendredi, de 8 h à 20 h (heure de l'Est), le samedi de 10 h à 17 h.

Ou écrivez à :
Centre de satisfaction de la clientèle
KitchenAid Portable Appliances
P.O. Box 218
St. Joseph, MI 49085-0218

Pour commander des accessoires ou des pièces de rechange pour votre accessoire presse-pâte au Canada, appelez le numéro sans frais 1-800-807-6777.

Ou écrivez à :
Centre d'Expérience à la clientèle
KitchenAid Canada
1901 Minnesota Court
Mississauga, ON L5N 3A7

Pour commander des accessoires ou des pièces de rechange pour votre accessoire presse-pâte au Mexique, appelez le numéro sans frais 01-800-024-17-17 (JV Distribuciones)

ou

01-800-902-31-00
(Industrias Birtman)

Índice

INTRODUCCIÓN

Comprobante de compra.....	Reverso de la portada
Aviso de seguridad de los accesorios para la batidora con base	46
Salvaguadas importantes	46

CARACTERÍSTICAS Y FUNCIONAMIENTO

Para ensamblar el accesorio de prensa para pasta.....	47
Discos para pasta.....	49
Para sujetar el accesorio de prensa para pasta	50
Para utilizar el accesorio de prensa para pasta	51
Cómo cambiar los discos para pasta	51
Cómo liberar el anillo para pasta	51
Cuidado y limpieza	52
Consejos para elaborar pasta	52
Preparación de la pasta.....	54

RECETAS

Fideo básico a base de huevo	54
Pasta de trigo ligera	55
Pasta de trigo entero	55
Pasta a base de espinaca.....	55
Macarrones con queso de lujo	56
Minestrone clásica	57
Pasta con salsa de vegetales frescos al horno.....	58
Ensalada de espárragos, tomates y pasta fusilli	59
Salsa boloñesa para pasta.....	60
Salsa cremosa de mariscos.....	61
Pasta rigatoni rústica al horno.....	62
Fideos chinos de cacahuete (maní).....	63

GARANTÍA E INFORMACIÓN DE SERVICIO

Garantía del accesorio para batidora con base KitchenAid®	64
Garantía de reemplazo sin dificultades en los 50 estados de los Estados Unidos y en el Distrito de Columbia	65
Garantía de reemplazo sin dificultades en Canadá	65
Cómo obtener el servicio de garantía en Puerto Rico	66
Cómo obtener el servicio de garantía una vez vencida la garantía – Todos los lugares ..	66
Cómo obtener el servicio técnico en otros lugares	66
Como realizar un pedido de accesorios y repuestos	67

Aviso de seguridad de los accesorios para la batidora con base

Su seguridad y la seguridad de los demás es muy importante.

Hemos incluido muchos mensajes importantes de seguridad en este manual y en su electrodoméstico. Lea y obedezca siempre todos los mensajes de seguridad.



Este es el símbolo de advertencia de seguridad.

Este símbolo le llama la atención sobre peligros potenciales que pueden ocasionar la muerte o una lesión a usted y a los demás.

Todos los mensajes de seguridad irán a continuación del símbolo de advertencia de seguridad y de la palabra "PELIGRO" o "ADVERTENCIA". Estas palabras significan:

⚠ PELIGRO

Si no sigue las instrucciones de inmediato, usted puede morir o sufrir una lesión grave.

⚠ ADVERTENCIA

Si no sigue las instrucciones, usted puede morir o sufrir una lesión grave.

Todos los mensajes de seguridad le dirán el peligro potencial, le dirán cómo reducir las posibilidades de sufrir una lesión y lo que puede suceder si no se siguen las instrucciones.

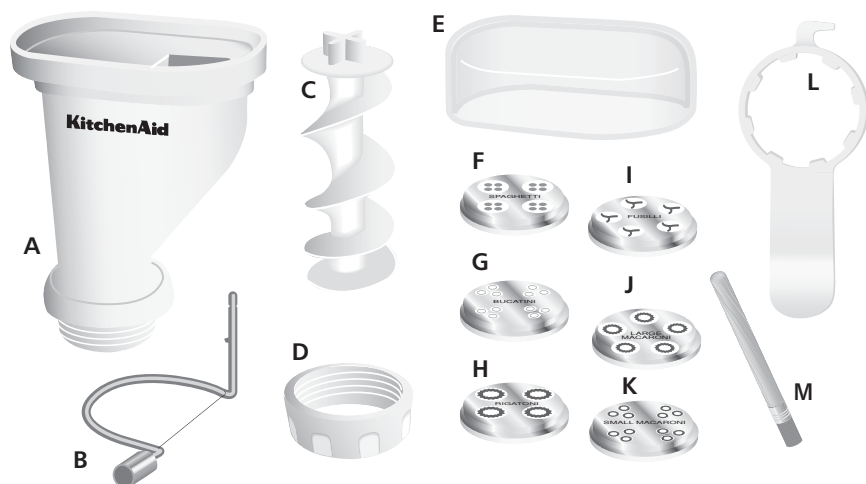
SALVAGUARDAS IMPORTANTES

Al utilizar aparatos eléctricos, debe seguir las precauciones básicas de seguridad, entre las que se incluyen las siguientes:

1. Lea todas las instrucciones.
2. Para protegerse del riesgo de una descarga eléctrica, no introduzca la batidora en el agua u otros líquidos.
3. Es necesaria la supervisión estricta cuando cualquier electrodoméstico sea utilizado por un niño o si hay niños alrededor.
4. Desenchúfela de la toma de corriente cuando no la utilice, antes de ponerle o quitarle partes y antes de lavarla.
5. Evite tocar las partes que estén en movimiento. Mantenga los dedos lejos de las aberturas de salida e introducción de alimentos.
6. Nunca introduzca la masa con la mano. Siempre utilice la herramienta combo para empujar los alimentos.
7. No utilice la batidora con algún cable o enchufe dañado, después de que la batidora no haya funcionado correctamente, se haya caído al suelo o esté dañada de alguna forma. Devuelva la batidora al Centro de Servicio Autorizado más cercano para su revisión, reparación o ajuste eléctrico o mecánico.
8. El uso de accesorios no recomendados o que no sean de KitchenAid puede provocar un incendio, una descarga eléctrica o una lesión.
9. No utilice la batidora en exteriores.
10. No deje colgando el cable fuera del filo de la mesa o del mostrador.
11. No permita que el cable toque alguna superficie caliente, como la estufa.
12. Este producto está diseñado exclusivamente para uso doméstico.
13. Asimismo, consulte las Salvaguardas importantes, incluidas en el folleto de Instrucciones y recetas.

CONSERVE ESTAS INSTRUCCIONES

Para ensamblar el accesorio de prensa para pasta



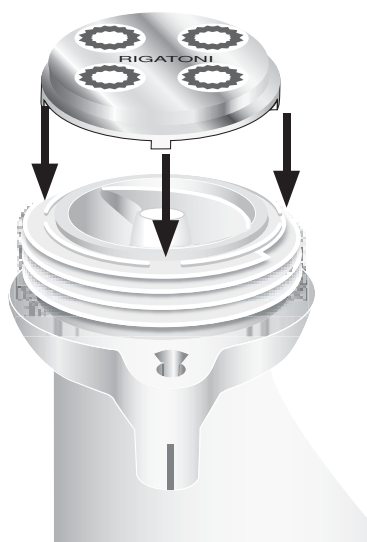
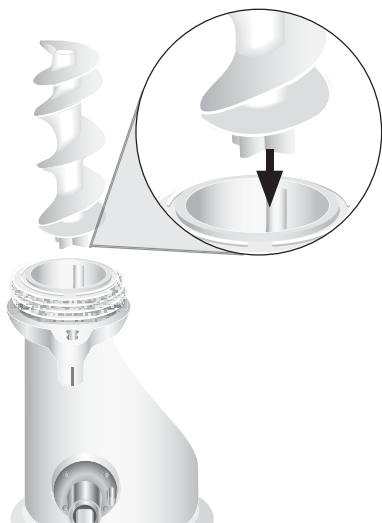
A - Cubierta
B - Cortador
C - Aspas
D - Anillo para pasta
E - Estuche

F - Disco para espagueti
G - Disco para bucatini
H - Disco para rigatoni
I - Disco para fusilli
J - Disco para macarrones grandes

K - Disco para macarrones chicos
L - Herramienta combo
M - Cepillo para limpiar

1. Coloque la prensa de cabeza sobre un mostrador o mesa e inserte en la cubierta de la prensa (A) el extremo de las aspas que tiene la pieza en forma de cruz (C), alineando la pieza en forma de cruz con la hendidura correspondiente en el interior. Cuando se coloca de forma correcta, la parte superior de las aspas se alinea con la

2. Coloque uno de los discos para pasta (F, G, H, I, J o K) sobre la abertura, alineando su centro con las aspas y haciendo corresponder las pestañas del disco con las muescas de la cubierta de la prensa.



Para ensamblar el accesorio de prensa para pasta

3. Coloque el anillo para pasta (D) sobre el disco y gire suavemente con la mano hasta que quede ajustado sin estar demasiado apretado.



4. Inserte el cortador (B) en la cavidad, alineando el reborde con el lado izquierdo de la ranura como se muestra. Empuje el cortador hacia adentro hasta que quede fijo en su lugar y gírelo hacia la derecha. La prensa para pasta ya se encuentra lista para sujetarse a la batidora con base.



Se provee una herramienta combo (L) multiusos con un gancho y llave inglesa. El extremo plano se puede utilizar para ayudar a empujar la masa hacia el interior de la prensa. La llave inglesa puede utilizarse para liberar el anillo para pasta del cuerpo de la prensa. El gancho se puede utilizar para sacar las espas de la cubierta.



Se provee un estuche (E) para almacenar los discos para pasta (F, G, H, I, J y K).

NOTA: No utilice la herramienta combo para apretar el anillo para pasta.

Discos para pasta

⚠ ADVERTENCIA

Peligro de Intoxicación Alimentaria

No permita que los alimentos que contengan ingredientes perecederos tales como huevos, productos lácteos y carnes, permanezcan fuera del refrigerador por más de una hora.

No seguir esta instrucción puede ocasionar intoxicación alimentaria o enfermedad.



ESPAGUETI (DISCO F)

Velocidad recomendada de la batidora con base: 10

Longitud de extrusión -
Aproximadamente
9½" (24.0 cm).



BUCATINI (DISCO G)

Velocidad recomendada de la batidora con base: 10

Longitud de extrusión -
Aproximadamente
9½" (24.0 cm).



RIGATONI (DISCO H)

Velocidad recomendada de la batidora con base: 6

Longitud de extrusión -
Aproximadamente
1½" (4.0 cm).



FUSILLI (DISCO I)

Velocidad recomendada de la batidora con base: 2-4

Longitud de extrusión -
Tradicional (Largo): 9½"
(24.0 cm); Corto: 1½" (4.0 cm).



MACARRONES GRANDES (DISCO J)

Velocidad recomendada de la batidora con base: 6

Longitud de extrusión -
Hasta 2" (5.0 cm).



MACARRONES CHICOS (DISCO K)

Velocidad recomendada de la batidora con base: 6

Longitud de extrusión -
Hasta 1½" (4.0 cm).

Separación de pasta fresca

Separe la pasta después de haberla extrudido. La pasta se puede cocer de inmediato. Si desea secar la pasta en vez de cocerla, coloque los fideos largos en el secador de pastas KitchenAid® (KitchenAid® Drying Rack o KPDR) o deje secar en una sola capa sobre una toalla colocada en una superficie plana. La pasta corta deberá secarse sobre una superficie plana.

Almacenaje de pasta fresca

Para almacenar pasta fresca, deje secar al aire durante 1 hora; después envuélvala en una bolsa hermética de plástico y refrigere hasta por 5 días. Los fideos largos (excepto el fusilli) pueden juntarse y formar un "nido" antes de secarlos.

Para sujetar el accesorio de prensa para pasta

Antes de sujetar el accesorio de prensa para pasta

Quite la etiqueta “No sumergir en agua” y separe el estuche de la parte superior de la cubierta del accesorio.

Para conectarlo:

1. Ponga el control de la velocidad de la batidora con base en OFF (apagado).
2. Desenchufe la batidora con base.
3. Afloje la perilla (P) del accesorio haciéndola girar contra el sentido de las manecillas del reloj.
4. Quite o levante la tapa del receptáculo para accesorios.
5. Inserte la cubierta del eje del accesorio (N) en el receptáculo para aditamentos (O)

asegurándose de que el eje de potencia para aditamentos encaje en la cavidad del receptáculo con forma cuadrada.

6. Quizá sea necesario girar el accesorio de un lado a otro. Cuando el aditamento se encuentre en una posición adecuada, la punta en el alojamiento del accesorio se ajustará en la ranura del borde del receptáculo.
7. Apriete la perilla del accesorio haciéndola girar en el sentido de las manecillas del reloj hasta que el accesorio se fije por completo a la batidora con base.



Para utilizar el accesorio de prensa para pasta

⚠ ADVERTENCIA



Peligro con las Cuchillas Giratorias

Siempre utilice el empujador de alimentos.

Mantenga los dedos fuera de las aberturas.

Mantenga fuera del alcance de los niños.

No seguir estas instrucciones puede ocasionar amputaciones o cortaduras.

pasta muy corta. La pasta más larga, como el espagueti, se puede extrudir a velocidades mayores.

2. Introduzca lentamente trozos de masa del tamaño de una nuez en la tolva; la masa deberá entrar automáticamente. Las aspas deben estar a la vista antes de agregar el siguiente trozo de masa.



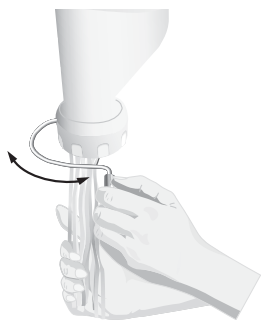
3. Utilice la herramienta combo para empujar la masa sólo si ésta queda atrapada en la tolva y ya no se autoalimenta.



1. Ajuste la velocidad de la batidora con base entre 6 y 10, de acuerdo con el tipo de pasta y preferencia personal. Para obtener mejores resultados, la pasta fusilli deberá extrudirse a una velocidad máxima de 6. También se recomiendan velocidades menores para

Para utilizar el accesorio de prensa para pasta

4. Utilice el cortador de alambre con manivela para masa para cortar la pasta a la longitud deseada conforme salga de la prensa. Consulte la página 49 para conocer las longitudes recomendadas.



Cómo liberar el anillo para pasta:

1. Si el anillo para pasta está demasiado apretado como para liberarlo con la mano, deslice la llave inglesa sobre las ranuras.
2. Gire el anillo para pasta en la dirección indicada por la flecha para OPEN (ABRIR).



NOTA: Nunca utilice la llave inglesa para fijar el anillo a la cubierta de la prensa. El accesorio podría dañarse.

5. Separe la pasta como se describe en la sección "Discos para pasta".

Cómo cambiar los discos para pasta:

1. Ponga el control de la velocidad de la batidora con base en OFF (apagado).
2. Desenchufe la batidora con base.
3. Quite el accesorio de prensa para pasta de la batidora con base.
4. Retire el cortador, el anillo para pasta, las espas y limpie la masa restante de la cubierta de la prensa.
5. Después vuelva a ensamblar el accesorio como se describe en la sección "Para ensamblar el accesorio de prensa para pasta".

Cuidado y limpieza

Para limpiar:

1. Ponga el control de la velocidad de la batidora con base en OFF (apagado).
2. Desenchufe la batidora con base.
3. Desarme completamente la prensa para pasta.
4. Utilice el extremo de llave inglesa de la herramienta combo para aflojar el anillo para pasta. Utilice el gancho como palanca para sacar las aspas de la cubierta de la prensa.



5. Permita que la masa restante en los discos para pasta se seque durante la noche antes de separarla. Retire completamente la masa seca con el cepillo para limpiar. Utilice una brocheta o palillo de madera para sacar cualquier resto de masa. No utilice objetos de metal ni coloque los discos para pasta en la lavavajillas para limpiarlos.
6. Las aspas, el anillo para pasta, la herramienta combo y el estuche puede lavarlos en la lavavajillas.

NOTA: No lave la cubierta de la prensa en una lavavajillas ni la sumerja en agua ni en ningún líquido. El cortador y los discos para pasta deben lavarse a mano en agua tibia jabonosa y secarse a fondo.

NOTA: Estos aditamentos se diseñaron para utilizarse con masa para pasta exclusivamente. Para evitar dañar su prensa para pasta, no le introduzca nada que no sea masa para pasta.

Consejos para elaborar pasta

NOTA: La batidora debe descansar por lo menos 1 hora después de extrudir 2 raciones de pasta consecutivas.

Masa

- Aprender a hacer pasta casera es sólo cuestión de práctica. Si nunca ha hecho pasta, es posible que deba preparar varias raciones de masa antes de sentir que lo hizo bien. Le recomendamos que experimente con la receta para preparar fideos básicos a base de huevo.
- La cantidad de líquido en relación con la de harina es pequeña, por lo que la pasta debe quedar firme y correosa pero se debe poder amasar. Es muy importante que tenga la proporción exacta de ingredientes para que la masa tenga la consistencia adecuada ya que, si la masa está demasiado húmeda o demasiado seca, será difícil trabajar con ella. Las recetas para hacer pasta de este folleto especifican que se debe utilizar harina cernida para ayudarlo a lograr un buen resultado. Siga el siguiente procedimiento para cernir la harina: coloque una taza medidora para ingredientes secos sobre un pedazo grande de papel encerado y sostenga el tamiz directamente sobre la taza y cerca de ella. Pase la harina por el tamiz y ciérrala hasta que llene totalmente la taza. Para quitar el exceso de harina de la taza medidora, utilice el lado plano de una espátula.
- En ocasiones puede haber pedazos de masa que no se hayan mezclado en el recipiente después de haberlos mezclado inicialmente con el batidor plano. Estos pedazos quedarán bien incorporados al amasarlos en la batidora con base y luego con las manos, lo que afirma y suaviza la textura de la masa.

Consejos para elaborar pasta

- Muchos factores, como la humedad, la marca de la harina que se utiliza y el tamaño de los huevos pueden afectar la consistencia de la masa. Para compensar la humedad, comience el proceso de mezcla inicial únicamente con harina cernida y huevos. Revise la consistencia adecuada de la masa pellizcando una pequeña cantidad de masa después de mezclarla con el batidor plano. La masa deberá permanecer junta sin pegarse en sus dedos. Probablemente necesitará agregar una pequeña cantidad de agua o harina para obtener la consistencia correcta de la masa.
- Si la masa preparada está demasiado húmeda o pegajosa para extruirla, simplemente rocíela con harina o déle unos golpecitos con un poco de harina antes de colocarla en el extrudidor.

Cómo utilizar su prensa para pasta con la batidora con base KitchenAid®

- Los fideos largos y los macarrones tienden a rizarse en direcciones diferentes al salir del disco. Las primeras 10" (25.0 cm) de fideos rizados se pueden jalar y regresar a la tolva para volverlos a extrudir. La pasta se extrudirá lentamente al principio y la velocidad aumentará a medida que se vaya extruyendo la masa.

plana y sepárelos tomándolos de las puntas más secas. Deje secar en una sola capa. Las tiras largas de pasta pueden colocarse en el secador de pastas KitchenAid® (KitchenAid® Drying Rack o KPDR).

- La pasta casera se comporta de manera diferente a la pasta que se compra en las tiendas. Debido a que los fideos largos se doblan conforme se secan y son más frágiles, requieren de un manejo cuidadoso antes de cocerlos.

Almacenaje de su pasta

- Guarde la pasta seca en un contenedor hermético de vidrio o plástico, casi de manera indefinida en un lugar oscuro y fresco. No obstante, no almacene pasta seca de trigo entero durante más de 1 mes, ya que se puede volver rancia.
- Para almacenar la pasta fresca, deje secar al aire durante 1 hora; después envuélvala en una bolsa hermética de plástico y refrigere hasta por 5 días. Para congelarla, envuelva dos veces la pasta y consérvela congelada hasta por 4 meses. Para usar la pasta fresca congelada, no la deje descongelar – deberá ir directamente del congelador al agua hirviendo.

ADVERTENCIA

Peligro de Intoxicación Alimentaria

No permita que los alimentos que contengan ingredientes perecederos tales como huevos, productos lácteos y carnes, permanezcan fuera del refrigerador por más de una hora.

No seguir esta instrucción puede ocasionar intoxicación alimentaria o enfermedad.

- Separe la pasta inmediatamente después de haberla extrudido. Coloque unos fideos sobre una toalla en una superficie

Preparación de la pasta

⚠️ ADVERTENCIA

Peligro de Intoxicación Alimentaria

No permita que los alimentos que contengan ingredientes perecederos tales como huevos, productos lácteos y carnes, permanezcan fuera del refrigerador por más de una hora.

No seguir esta instrucción puede ocasionar intoxicación alimentaria o enfermedad.

Agregue 2 cucharaditas (10 ml) de sal y 1 cucharada sopera (15 ml) de aceite (opcional) a 6 cuartos de galón (5.7 L) de agua hirviendo. Agregue la pasta gradualmente y siga hirviéndola hasta que quede “al dente” o ligeramente firme al morderla. Cuando la pasta se está

cociendo, ésta flota en la superficie del agua; mueva ocasionalmente para que se pueda cocer de forma uniforme. Escúrrala en un colador.

- Pasta seca: 7 minutos
- Pasta fresca: 2–5 minutos dependiendo del grosor de los fideos

Fideo básico a base de huevo

- 4 *huevos grandes*
- 3½ *tazas (650 mL) de harina cernida para todo uso*
- 1 *cucharadas soperas (15 mL) de agua*
- 1 *cucharadita (2 ml) de sal*

Parta los huevos y viértalos en una taza medidora de vidrio. Verifique que el volumen de los huevos sea de $\frac{7}{8}$ de taza (207 ml). Si es menor de $\frac{7}{8}$ de taza (207 ml), agregue agua 1 cda (2 ml) por vez, hasta llegar a la medida.

Coloque la harina y la sal en el tazón de la batidora con base. Fije el tazón y el aspa plana. Enciéndala en la velocidad 2 y agregue los huevos gradualmente, con 1 cda (15 ml) de agua. Mezcle durante 30 segundos. Detenga la batidora y cambie el aspa plana por el gancho para masa. Enciéndala en la velocidad 2 y amase durante 2 minutos.

Retire la mezcla del tazón y colóquela sobre una superficie limpia. Es posible que la masa parezca desmigajarse con facilidad. Amase a mano durante 30 segundos a 1 minuto, o hasta que la masa quede suave, maleable y pueda hacerse una bola.

Forme pedazos del tamaño de una nuez y extruda la pasta en la forma deseada. Sepárela y séquela como desee; después siga las instrucciones de cocción mencionadas arriba.

Rinde: aproximadamente 1 ¼ libra (579 g) de masa.

Pasta de trigo ligera

- 2¹/₂ tazas (590 ml) de harina cernida de trigo entero
- 1 taza (235 ml) de pan molido o harina cruda
- 4 huevos grandes (7/8 de taza [208 ml] de huevo)
- 2 cucharadas soperas (30 ml) de agua
- 1/2 cucharadita (2 ml) de sal

Coloque la harina entera de trigo, el pan molido, los huevos, el agua y la sal en el tazón de la batidora con base. Coloque el tazón y el batidor plano. Encienda en velocidad 2 y mezcle durante 30 segundos.

Cambie el batidor plano por el gancho amasador. Encienda en velocidad 2 y amase durante 2 minutos. Saque la masa del tazón y amásela a mano durante 1 ó 2 minutos.

Forme piezas de masa del tamaño de una nuez y extruda la pasta en la forma deseada. Separe y seque como desee, después siga las instrucciones para la cocción de pasta.

Rinde: 1¹/₄ libras (565 g) de masa.

Pasta de trigo entero

- 4 huevos grandes (7/8 de taza [208 ml] de huevo)
- 2 cucharadas soperas (30 ml) de agua
- 3¹/₂ tazas (830 ml) de harina de trigo entero
- 1/2 cucharadita (2 ml) de sal

Coloque los huevos, el agua, la harina de trigo entero y la sal en el tazón de la batidora con base. Coloque el tazón y el batidor plano. Encienda en velocidad 2 y mezcle durante 30 segundos.

Cambie el batidor plano por el gancho amasador. Encienda en velocidad 2 y amase durante 2 minutos. Saque la masa del tazón y amásela a mano durante 2 minutos.

Forme piezas de masa del tamaño de una nuez y extruda la pasta en la forma deseada. Separe y seque como desee, después siga las instrucciones para la cocción de pasta.

Rinde: 1¹/₄ libras (565 g) de masa.

Pasta a base de espinaca

- 1 paquete descongelado (10 oz [285 g]) de espinacas congeladas, picadas
- 1 cucharada sopera (15 ml) de agua
- 4 huevos grandes (7/8 de taza [208 ml] de huevo)
- 4 tazas (945 ml) de harina multiusos cernida

Envuelva las espinacas en una toalla y exprímalas toda el agua hasta que se sientan muy secas. Pique finamente la espinaca utilizando un molino de alimentos, procesador de alimentos o licuadora.

Coloque la espinaca picada, el agua, los huevos y la harina en el tazón de la batidora con base. Coloque el tazón y el batidor plano. Encienda en velocidad 2 y mezcle durante 30 segundos.

Cambie el batidor plano por el gancho amasador. Encienda en velocidad 2 y amase durante 2 minutos. Saque la masa del tazón y amásela a mano durante 1 ó 2 minutos.

Forme piezas de masa del tamaño de una nuez y extruda la pasta en la forma deseada. Separe y seque como desee, después siga las instrucciones para la cocción de pasta.

Rinde: 1¹/₂ libras (680 g) de masa.

Macarrones con queso de lujo

- 3 cucharadas soperas (45 ml) de mantequilla
- 2 cucharadas soperas (30 ml) de cebolla finamente picada
- 2 cucharadas soperas (30 ml) de harina
- 3 tazas (780 ml) de leche
- 4 oz (120 ml) de queso cheddar extra fuerte, rallado
- 4 oz (120 ml) de queso Fontina, rallado
- 1 cucharadita (5 ml) de salsa inglesa (Worcestershire)
- $\frac{1}{4}$ de cucharadita (1 ml) de sal de ajo
- $\frac{1}{8}$ de cucharadita (0.5 ml) de pimienta
- $\frac{1}{8}$ de cucharadita (0.5 ml) de paprika
- 1 receta de pasta básica a base de huevo extrudida en forma de macarrones grandes cortos, cocidos y escurridos

Derrita la mantequilla en una cacerola grande a fuego medio. Agregue la cebolla y cocínela, revolviendo de vez en cuando, durante 4 ó 5 minutos o hasta que quede translúcida. Agregue la harina y cocine durante un minuto más. Vierta batiendo la leche y continúe cocinando a fuego medio hasta que la mezcla hierva y se espese un poco. Reduzca la llama a fuego bajo y agregue los quesos cheddar y Fontina, mezclando hasta que se derritan y se incorporen bien. Agregue la salsa Worcestershire, la sal de ajo, la pimienta y la paprika, revolviendo bien para combinar. Retire de la flama y colóque aparte.

Coloque la mezcla de queso y los macarrones cocidos en un tazón grande, revolviendo bien para combinar. Transfiera la mezcla a una charola para hornear engrasada de 9" x 13" x 2" (23 cm x 33 cm x 5 cm). Cubra muy bien con papel aluminio y hornee a 350°F (180°C) durante 25 a 30 minutos. Retire el papel aluminio y hornee 10 minutos más para dorar la parte superior. Sirva de inmediato.

Rinde: 10 porciones.

Por porción: Aprox. 214 cal., 11 g de proteína, 16 g de carbohidratos, 12 g de grasas totales, 56 mg de colesterol, 258 mg de sodio.

Minestrone clásica

- 3 *cucharadas soperas (45 ml) de aceite de oliva*
- 2 *tallos de apio, sin hojas y cortados en rebanadas de 1/4" (0.65 cm)*
- 3 *zanahorias, peladas y cortadas en rebanadas de 1/4" (0.65 cm)*
- 2 *calabacitas pequeñas, cortadas en rebanadas de 1/4" (0.65 cm)*
- 1 *cebolla pequeña picada*
- 1 *cebolla escalonia, picada finamente*
- 1 *paquete (32 oz) (946 ml) de caldo de pollo*
- 2 *latas (14.5 oz [429 ml] cada una) de tomates pequeños en cubos con su jugo*
- 1 *cucharadita (5 ml) de orégano*
- 1 *cucharadita (5 ml) de albahaca seca*
- 1/4 *de cucharadita (1 ml) de pimienta*
- 1/2 *receta de pasta básica a base de huevo extrudida en forma de macarrones pequeños cortos, sin cocer*
- 1 *lata (15.8 oz [467 ml]) de alubias, enjuagadas y secas*

Caliente el aceite de oliva en una olla grande a fuego medio alto. Agregue el apio, las zanahorias, las calabacitas, la cebolla y la cebolla escalonia. Cocine y revuelva durante 4 ó 5 minutos o hasta que los vegetales se suavicen.

Agregue el caldo de pollo, los tomates, el orégano, la albahaca y la pimienta. Aumente la flama a fuego alto hasta que la mezcla hierva. Agregue la pasta y siga hirviendo hasta que la pasta quede "al dente", después de más o menos 4 ó 5 minutos. Reduzca a fuego bajo y agregue las alubias. Deje hervir a fuego lento 5 minutos más o hasta que las alubias se hayan cocido. Sirva de inmediato.

Rinde: 10 porciones.

Por porción: Aprox. 97 cal., 4 g de proteína, 16 g de carbohidratos, 2 g de grasas, 9 mg de colesterol, 466 mg de sodio.

Pasta con salsa de vegetales frescos al horno

- 4 cucharadas (60 ml) de aceite de oliva, fraccionado
- 1 calabacita pequeña, cortada en rebanadas de $\frac{1}{4}$ " (0.65 cm)
- 1 calabaza amarilla pequeña, cortada en rebanadas de $\frac{1}{4}$ " (0.65 cm)
- 1 cebolla pequeña picada
- 3 dientes de ajo, picados
- 1 paquete (8 oz) (235 ml) de champiñones botón o baby Bella rebanados
- 8 tomates Roma grandes y maduros, pelados y sin semillas si lo desea, y cortados en rebanadas de $\frac{1}{2}$ " (1.25 cm)
- 1 cucharadita (5 ml) de sal
- $\frac{1}{8}$ de cucharadita (0.5 ml) de pimienta
- $\frac{1}{2}$ taza (120 ml) de caldo de pollo o de verduras (si lo desea)
- $\frac{1}{2}$ receta de pasta básica a base de huevo extrudida en forma de macarrones grandes cortos, cocidos y escurridos
- 2 cucharadas (30 ml) de hojas de albahaca picadas en trozos grandes
- 2 cucharadas (30 ml) de perejil italiano picado en trozos grandes
- $\frac{1}{2}$ taza (235 ml) de queso parmesano

Cubra el fondo y lados de una bandeja para hornear grande de vidrio o cerámica con 1 cucharada (15 ml) de aceite de oliva. Coloque la calabacita, la calabaza amarilla, la cebolla, el ajo, los champiñones, los tomates, la sal y la pimienta en la bandeja para hornear. Rocíe con el resto del aceite de oliva y mezcle bien. Hornee a 425°F (220°C) durante 1 hora, revolviendo la mezcla cada 20 minutos, hasta que los vegetales queden tiernos y caramelizados.

Saque del horno y agregue el caldo, si lo desea, para desprender los pedazos que se hayan dorado en el fondo de la bandeja para hornear y para agregar humedad adicional. Deje reposar durante 10 minutos. Agregue la pasta cocida y caliente, la albahaca, perejil y queso parmesano. Mezcle bien para combinar y sirva de inmediato.

Rinde: 8 porciones.

Por porción: Aprox. 149 cal., 6 g de proteína, 12 g de carbohidratos, 9 g de grasas, 17 mg de colesterol, 476 mg de sodio.

Ensalada de espárragos, tomates y pasta fusilli

- 1 libra (455 g) de espárragos, rebanados y cortados en trozos de 1" (2.5 cm)
- 1 pimiento morrón amarillo mediano, desvenado y cortado en cubos
- 1 paquete (1 pinta) (550 ml) de tomates uva, partidos a la mitad
- 2 cebollas de verdeo, en rebanadas delgadas
- 4 oz (120 ml) de queso provolone ahumado, en cubos
- 1/4 de taza (60 ml) de perejil picado
- 1/2 taza (120 ml) de aceite de oliva
- 2 cucharadas (30 ml) de vinagre balsámico
- 3 cucharadas (45 ml) de vinagre de vino tinto
- 2 dientes de ajo, finamente picados
- 1/2 cucharadita (2 ml) de sal
- 1/8 de cucharadita (0.5 ml) de pimienta
- 1/2 receta de pasta básica a base de huevo extrudida en forma de fusilli cortos, cocidos, escurridos y enfriados

Ponga a hervir en una cacerola mediana 2 tazas (475 ml) de agua a fuego alto. Agregue los espárragos, cubra y deje hervir durante 2 ó 3 minutos, o hasta que estén tiernos y crujientes. Retire los espárragos de la cacerola y sumérgalos de inmediato en agua fría. Enjuague bien y colóquelos en un tazón grande. Agregue el pimiento morrón amarillo, los tomates, la cebolla de verdeo, el queso provolone y el perejil. Mezcle bien y coloque aparte.

En un tazón pequeño, revuelva el aceite, los dos tipos de vinagre, el ajo, la sal y la pimienta. Vacíe la mezcla sobre los vegetales y deje reposar durante 15 minutos. Agregue la pasta cocida y revuelva bien para combinar.

Cubra y refrigere durante una hora o hasta que esté bien frío. Sirva frío.

Rinde: 8 porciones.

Por porción: Aprox. 226 cal., 6 g de proteína, 11 g de carbohidratos, 18 g de grasas, 21 mg de colesterol, 297 mg de sodio.

Salsa boloñesa para pasta

Sirva con espagueti o pasta bucatini

- 1 libra (455 g) de carne de res magra molida
- 1 libra (455 g) de carne de cerdo molida
- 2 zanahorias, peladas y picadas finamente
- 2 tallos de apio, picados finamente
- 1 cebolla mediana, picada finamente
- 4 dientes de ajo, picados
- 1/2 taza (120 ml) de vino tinto seco
- 2 latas (28 oz [828 ml] cada una) de tomates triturados
- 2 latas (6 oz [177 ml] cada una) de pasta de tomate
- 1 lata (14 1/2 oz [428 ml]) de caldo de pollo o de carne
- 2 cucharaditas (10 ml) de albahaca seca
- 2 cucharaditas (10 ml) de orégano seco
- 2 hojas de laurel frescas
- 1/2 cucharadita (2 ml) de hojuelas de chile de árbol seco
- 2 cucharaditas (10 ml) de azúcar
- Sal y pimienta al gusto

En una cacerola u olla grande de hierro a fuego medio alto, desmenuce y cocine la carne de res y el cerdo, aproximadamente durante 5 minutos. Agregue las zanahorias, el apio, la cebolla y el ajo a la olla y siga cocinando. Finalmente, desmenuce la mezcla hasta que la carne esté bien cocida, alrededor de 8 a 9 minutos. Retire del fuego y drene el exceso de grasa. Vuelva a colocar la olla a fuego medio y agregue el vino tinto. Cocine y mezcle durante 3 minutos. Agregue los ingredientes restantes, reduzca el fuego y deje hervir durante 1 hora, revolviendo de vez en cuando. Retire las hojas de laurel y sirva sobre pasta caliente.

Rinde: 10 porciones.

Por porción: Aprox. 268 calorías, 21 g de proteínas, 22 g de carbohidratos, 11 g de grasa, 57 mg de colesterol, 820 mg de sodio.

Salsa cremosa de mariscos

- Sirva con macarrones grandes o pasta fusilli*
- 8 oz (235 ml) de camarones, pelados y desvenados
 - 8 oz (235 ml) de vieiras o callo de hacha
 - 2 cucharadas soperas (30 ml) de mantequilla
 - 1 cebolla escalonia pequeña, picada finamente
 - 1/4 de taza (60 ml) de vino blanco seco
 - 1 taza (235 ml) de mezcla mitad crema y mitad leche
 - 1 taza (235 ml) de queso parmesano
 - 1/4 de cucharadita (1 ml) de sal
 - 1/8 de cucharadita (0.5 ml) de pimienta
 - Un toque de nuez moscada

Coloque los camarones y las vieiras entre toallas de papel para quitar el exceso de humedad; colocar aparte. Derrita la mantequilla en un sartén grande a fuego medio. Agregue la cebolla escalonia y sofría durante 2 a 3 minutos, revolviendo de vez en cuando. Agregue los camarones y las vieiras al sartén y cocine, revolviendo de vez en cuando, durante 3 ó 4 minutos, o hasta que los mariscos se pongan opacos. Vierta el vino blanco y deje hervir la mezcla durante 1 ó 2 minutos. Agregue la mezcla de crema y leche, el queso parmesano, la sal, la pimienta y la nuez moscada. Siga cocinando, revolviendo de vez en cuando, hasta que la mezcla hierva a fuego lento y el queso se derrita. No deje que rompa el hervor. La salsa tendrá una consistencia ligera. Retire inmediatamente del fuego y revuelva con pasta caliente.

Rinde: 6 porciones.

Por porción: Aprox. 248 cal., 22 g de proteína, 5 g de carbohidratos, 14 g de grasas, 109 mg de colesterol, 608 mg de sodio.

Pasta rigatoni rústica al horno

- 1 *cucharada sopera (15 ml) de aceite de oliva*
- 2 *pechugas de pollo deshuesadas y sin piel, rebanadas en piezas de 1/4" (0.65 cm)*
- 2 *salchichas italianas, rebanadas diagonalmente en trozos de 1/4" (0.65 cm)*
- 1 *cebolla pequeña, rebanada*
- 1 *pimiento morrón verde pequeño, desvenado y rebanado*
- 2 *dientes de ajo grandes, picados*
- 1 *cucharadita (5 ml) de romero fresco picado*
- ¹/₈ *de cucharadita (0.5 ml) de pimienta de cayena*
- 1 *lata (14.5 oz [428 ml]) de tomates pequeños en rebanadas con su jugo*
- ³/₄ *de taza (175 ml) de mezcla mitad crema y mitad leche*
- ¹/₂ *receta de pasta básica a base de huevo extrudida en forma de rigatoni cortos, cocidos y escurridos*
- ¹/₂ *taza (120 ml) de queso mozzarella rallado*
- ¹/₄ *de taza (60 ml) de queso Romano rayado*

Caliente el aceite en un sartén grande a fuego medio. Agregue el pollo y las salchichas y cocine, revolviendo de vez en cuando, durante 5 ó 6 minutos. Agregue la cebolla, el pimiento morrón verde y el ajo. Siga cocinando y revolviendo hasta que la carne esté completamente cocida y los vegetales estén tiernos, aproximadamente por 6 ó 7 minutos. Agregue el romero, la pimienta de cayena y los tomates. Revuelva bien para combinar y deje que la mezcla hierva a fuego lento. Vierta la mezcla de crema y leche y retire del fuego. Agregue la pasta cocida y revuelva bien para combinar. Transfiera la mezcla a una fuente para hornear engrasada de 2½ cuartos de galón (2.3 L). Rocíe con los quesos mozzarella y Romano. Hornee a 350 °F (180 °C) durante 15 a 20 minutos o hasta se caliente completamente. Sirva de inmediato.

Rinde: 8 porciones.

Por porción: Aprox. 369 cal., 24 g de proteína, 15 g de carbohidratos, 24 g de grasas, 94 mg de colesterol, 587 mg de sodio.

Fideos chinos de cacahuete (maní)

- 1 *taza (235 ml) de crema de cacahuete (mantequilla de maní) natural*
- 4 *cucharadas soperas (60 ml) de aceite de oliva*
- 6 *cucharadas (90 ml) de jugo fresco de limón agrio*
- ²/₃ *de taza (160 ml) de salsa de soya baja en sodio*
- 2 *cucharaditas (30 ml) de azúcar*
- 2 *dientes de ajo, finamente picados*
- ¹/₄ *de cucharadita (1 ml) de pimienta de cayena*
- ¹/₄ *de cucharadita (1 ml) de comino*
- 1 *receta de pasta básica a base de huevo extrudida en forma de espagueti, cocido, escurrido y enfriado*
- 1¹/₂ *tazas (355 ml) de zanahorias cortadas en juliana fina*
- 3 *cebollas de verdeo, en rebanadas delgadas*
- 3 *cucharadas (45 ml) de perejil fresco picado*

Combine la crema de cacahuete, el aceite de oliva, el jugo de limón, la salsa de soya, el azúcar, el ajo, la pimienta de cayena y el comino en un tazón pequeño. Revuelva hasta suavizar. Coloque aparte durante 15 minutos para mezclar los sabores.

Coloque la pasta, las zanahorias, la cebolla de verdeo y el perejil en un tazón grande. Vierta la salsa que reservó sobre la mezcla y revuelva para combinar. Cubra y refrigere durante una hora o hasta que esté bien frío. Sirva frío.

Rinde: 10 porciones.

Por porción: Aprox. 272 calorías, 9 g de proteínas, 19 g de carbohidratos, 19 g de grasa, 19 mg de colesterol, 818 mg de sodio.

Garantía del accesorio para batidora con base KitchenAid®

Duración de la garantía:	KitchenAid pagará por:	KitchenAid no pagará por:
<p>50 estados de los Estados Unidos, el Distrito de Columbia, Canadá y Puerto Rico: Un año de garantía limitada a partir de la fecha de compra.</p>	<p>50 estados de los Estados Unidos, el Distrito de Columbia y Canadá: El reemplazo de su accesorio de prensa para pasta sin dificultades. Consulte la siguiente página para obtener los detalles sobre cómo realizar el reemplazo. O En Puerto Rico: Los costos de los repuestos y del trabajo de reparación para corregir los defectos en los materiales y la mano de obra. El servicio técnico debe ser provisto por un Centro de servicio técnico de KitchenAid autorizado. Para solicitar un servicio técnico, siga las instrucciones.</p>	<p>A. Las reparaciones cuando el accesorio de prensa para pasta sea utilizado con otro fin que no sea el uso doméstico normal de una familia. B. Los daños como consecuencia de un accidente, alteración, mal uso, abuso o uso con productos no aprobados por KitchenAid. C. Los costos de repuestos o de mano de obra de reparación del accesorio de prensa para pasta cuando haya sido utilizada fuera del país en donde fue comprada.</p>

LA EXENCIÓN DE RESPONSABILIDADES DE LAS GARANTÍAS IMPLÍCITAS, LAS GARANTÍAS IMPLÍCITAS DE LIMITACIÓN DE LOS RECURSOS, INCLUYENDO GARANTÍAS EN LA MEDIDA EN QUE SE APLIQUEN A LA COMERCIABILIDAD O APTITUD CON UN FIN DETERMINADO, SON EXCLUIDAS EN LA MEDIDA PERMITIDA POR LEY. CUALQUIER GARANTÍA IMPLÍCITA QUE PUEDA SER IMPUESTA POR LEY ESTÁ LIMITADA A UN AÑO O AL PERÍODO MÁS CORTO PERMITIDO POR LEY. ALGUNOS ESTADOS Y PROVINCIAS NO PERMITEN LIMITACIONES NI EXCLUSIONES EN RELACIÓN CON LA DURACIÓN DE UNA GARANTÍA IMPLÍCITA DE COMERCIABILIDAD O DE APTITUD, DE MANERA TAL QUE LAS LIMITACIONES O EXCLUSIONES ANTERIORES PUEDEN QUE NO SE APLIQUEN EN SU CASO.

SI ESTE PRODUCTO NO FUNCIONA SEGÚN SE GARANTIZA, EL ÚNICO Y EXCLUSIVO RECURSO DEL CLIENTE SERÁ LA REPARACIÓN O EL REEMPLAZO SEGÚN LOS TÉRMINOS Y LAS CONDICIONES DE ESTA GARANTÍA LIMITADA. KITCHENAID Y KITCHENAID CANADA NO ASUMEN NINGUNA RESPONSABILIDAD POR DAÑOS INCIDENTALES O RESULTANTES. Esta garantía le otorga derechos legales específicos y es posible que usted goce de otros derechos que varían de estado en estado o de provincia en provincia.

Garantía de reemplazo sin dificultades en los 50 estados de los Estados Unidos y en el Distrito de Columbia

Confiamos tanto en que la calidad de nuestros productos cumple con las exigentes normas de KitchenAid, que si su accesorio de prensa para pasta presentara alguna falla durante el primer año, le enviaremos un reemplazo sin cargo idéntico o comparable a su domicilio y arreglaremos la devolución de su accesorio de prensa para pasta original. La unidad de reemplazo también estará cubierta por nuestra garantía limitada de un año. Siga estas instrucciones para recibir este servicio de calidad.

Si su accesorio de prensa para pasta KitchenAid® presentara alguna falla durante el primer año, simplemente llame gratis a nuestro Centro de satisfacción al cliente KitchenAid al 1-800-541-6390, de lunes a viernes de 8 a.m. a 8 p.m. (Hora del Este), o los sábados, de 10 a.m. a 5 p.m. Proporcione al asesor su dirección completa para el envío. (No se aceptan números de apartado postal (P.O. Box)).

Cuando reciba la unidad de reemplazo de su accesorio de prensa para pasta, utilice la caja y los materiales de embalaje para embalar su accesorio de prensa para pasta original. En la caja, escriba su nombre y dirección en un papel junto con la copia del comprobante de compra (recibo de compra, ticket de la tarjeta de crédito, etc.)

Garantía de reemplazo sin dificultades en Canadá

Confiamos tanto en que la calidad de nuestros productos cumple con las exigentes normas de KitchenAid que, si su accesorio de prensa para pasta presentara alguna falla durante el primer año, KitchenAid Canada lo reemplazará por una idéntica o comparable. La unidad de reemplazo también estará cubierta por nuestra garantía limitada de un año. Siga estas instrucciones para recibir este servicio de calidad.

Si su accesorio de prensa para pasta presentara alguna falla durante el primer año, lleve el accesorio de prensa para pasta, o envíelo por cobrar a un Centro de servicio técnico KitchenAid Canada autorizado. En la caja, escriba su nombre y dirección postal e incluya la copia del comprobante de compra (recibo de compra, ticket de la tarjeta de crédito, etc.). Su accesorio de prensa para pasta de reemplazo se le entregará de forma prepaga y asegurada. Si no queda satisfecho con el servicio, llame de manera gratuita a nuestro Centro para la eXperiencia del cliente al 1-800-807-6777. O escríbanos a:

Customer eXperience Centre
KitchenAid Canada
1901 Minnesota Court
Mississauga, ON L5N 3A7

Cómo obtener el servicio de garantía en Puerto Rico

Su accesorio de prensa para pasta tiene garantía de un año a partir de la fecha de compra. KitchenAid pagará los repuestos y la mano de obra para corregir defectos en los materiales y en la mano de obra. El servicio técnico debe ser provisto por un Centro de servicio técnico de KitchenAid autorizado.

Lleve le accesorio de prensa para pasta o envíelo prepagado y asegurado a un Centro de servicio técnico de KitchenAid autorizado. Su accesorio de prensa para pasta reparado se le entregará de forma prepaga y asegurada. Si no queda satisfecho con el servicio, llame de manera gratuita al 1-800-541-6390 para averiguar la ubicación del Centro de servicio técnico más cercano.

Cómo obtener el servicio de garantía una vez vencida la garantía – Todos los lugares

Para obtener información sobre el servicio técnico en los 50 estados de los Estados Unidos, Distrito de Columbia y Puerto Rico, llame de manera gratuita al **1-800-541-6390**.

O escriba a:
Customer Satisfaction Center
KitchenAid Portable Appliances
P.O. Box 218
St. Joseph, MI 49085-0218

O contacte a un Centro de servicio técnico autorizado cercano a su domicilio.

Para obtener información sobre el servicio técnico en Canadá, llame de manera gratuita al **1-800-807-6777**.

O escriba a:
Customer eXperience Centre
KitchenAid Canada
1901 Minnesota Court
Mississauga, ON L5N 3A7

Cómo obtener el servicio técnico en otros lugares

Consulte su distribuidor de KitchenAid local o a la tienda donde compró el accesorio de prensa para pasta para obtener información sobre el servicio técnico.

Para obtener información sobre el servicio técnico en México, llame de manera gratuita al **01-800-024-17-17** (JV Distribuciones)

O
01-800-902-31-00
(Industrias Birtman)

Como realizar un pedido de accesorios y repuestos

Para solicitar accesorios o repuestos para su accesorio de prensa para pasta en los 50 estados de los Estados Unidos, Distrito de Columbia y Puerto Rico,

llame de manera gratuita al **1-800-541-6390** de lunes a viernes, de 8 a.m. a 8 p.m. (Hora del Este) o los sábados, de 10 a.m. a 5 p.m.

O escriba a:

Customer Satisfaction Center
KitchenAid Portable Appliances
P.O. Box 218
St. Joseph, MI 49085-0218

Para solicitar accesorios o repuestos para su accesorio de prensa para pasta en Canadá,

llame de manera gratuita al **1-800-807-6777**.

O escriba a:

Customer eXperience Centre
KitchenAid Canada
1901 Minnesota Court
Mississauga, ON L5N 3A7

Para solicitar accesorios o repuestos para su accesorio de prensa para pasta en México,

llame de manera gratuita al **01-800-024-17-17**

(JV Distribuciones)

o al

01-800-902-31-00

(Industrias Birtman)

® Registered trademark/Marque déposée/Marca registrada de KitchenAid, U.S.A.

™ Trademark/Marque de commerce/Marca de comercio de KitchenAid, U.S.A.

KitchenAid Canada licensee in Canada/Emploi sous licence par KitchenAid Canada au Canada/
Usada en Canadá bajo licencia de KitchenAid Canada.

© 2009. All rights reserved. Tous droits réservés. Todos los derechos reservados.



BIEN PENSÉ. BIEN FABRIQUÉ.®