

# Air Cooler

User's manual

EN



**SENCOR®**

SFN 9011SL

Prior to using this appliance, please read the user manual thoroughly, even if you are already familiar with the use of similar appliances. Use the appliance only in the manner described in this user manual. Keep the manual for future use.

Save the original shipping transport box, pack material, receipt and warranty card for the duration of the warranty. If the appliance is to be transported, pack it in manufacturer's original box.

## CONTENTS

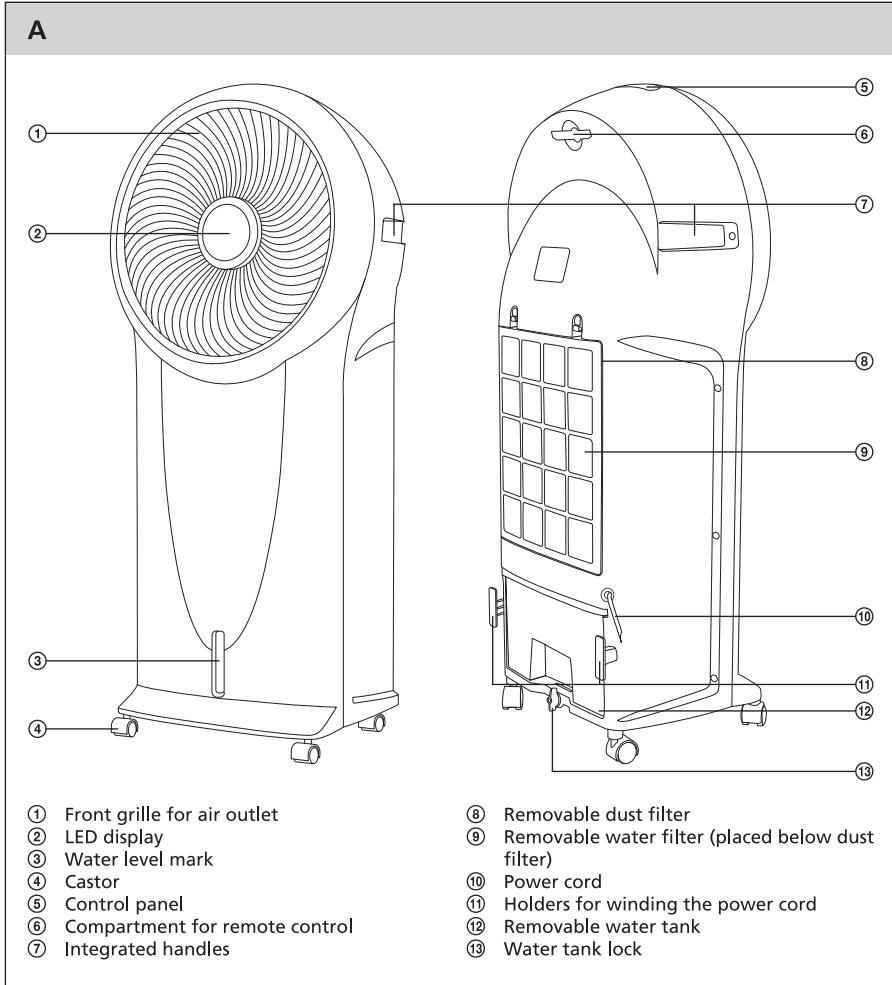
IMPORTANT SAFETY INSTRUCTIONS .....	3
DESCRIPTION OF FAN .....	4
DESCRIPTION OF ACCESSORIES .....	5
DESCRIPTION OF CONTROL PANEL AND DISPLAY .....	5
DESCRIPTION OF THE REMOTE CONTROL .....	6
BEFORE FIRST USE .....	7
OPERATING THE FAN .....	7
MAINTENANCE AND CLEANING .....	9
TECHNICAL SPECIFICATIONS .....	9
INSTRUCTIONS AND INFORMATION REGARDING THE DISPOSAL OF USED PACKAGING MATERIALS ..	10
DISPOSAL OF USED BATTERIES .....	10
DISPOSAL OF USED ELECTRICAL AND ELECTRONIC APPLIANCES .....	10

## IMPORTANT SAFETY INSTRUCTIONS

### READ CAREFULLY AND STORE THESE INSTRUCTIONS FOR FUTURE USE.

- This appliance must not be used by persons (including children) with physical or mental impairments or by inexperienced persons, unless properly trained in the safe use of the appliance, or unless properly supervised by a qualified person who will be responsible for their safety.
- Children must be supervised to ensure that they do not play with the appliance.
- Before plugging the appliance in, check that the technical details on the appliance label match the socket's electrical voltage.
- The appliance is designed for use in households, offices and similar areas.
- Do not use the appliance in very dusty or humid rooms such as laundries or bathrooms, in areas where chemicals are stored, in industrial surroundings or outdoors!
- Do not place the appliance near open flame or near appliances that are heat sources.
- The appliance is equipped with castors, so take extra care during handling to ensure that it does not fall down stairs or roll down sloped surfaces.
- Do not place the appliance on unstable surfaces such as a shag carpet. Always install the appliance on an even, dry, stable surface.
- To prevent the appliance from overheating, do not cover it with any objects.
- To prevent injury by electric shock, do not submerge the appliance in water or any other liquid.
- Do not insert objects through the front air grille. This may cause an electrical short circuit, a fire or damage to the appliance.
- Always turn the appliance off and unplug it, if you will not be using it, or before assembly, disassembly or cleaning.
- Make sure the power cord does not touch a hot surface.
- Do not unplug the appliance by pulling the power cord. This may damage the power cord or the power socket. Unplug the cord by pulling its plug from the socket.
- It is forbidden to use the appliance if its power cord or plug is damaged. If the power cord is damaged, have it replaced at a professional service centre.
- Do not use the appliance if it is not working correctly, has been damaged or has been submerged in water. To avoid the injury by electrical shock, do not repair the appliance yourself or make any adjustments to it. Have the appliance repaired or adjusted only at an authorized service centre. Tampering with the appliance during the warranty period voids the warranty.
- Do not expose yourself to a cold air current for a long time. This may be hazardous to your health.

## DESCRIPTION OF FAN

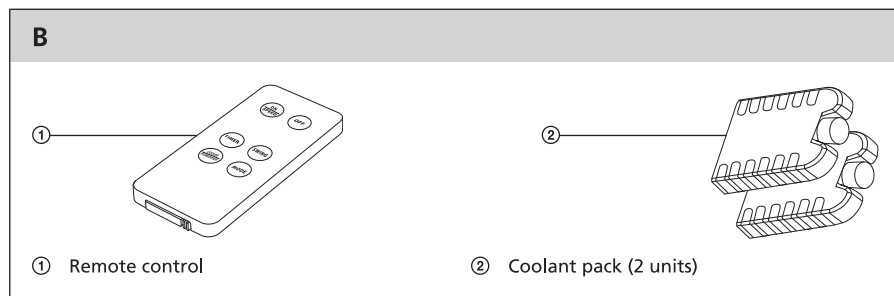


# Air Cooler

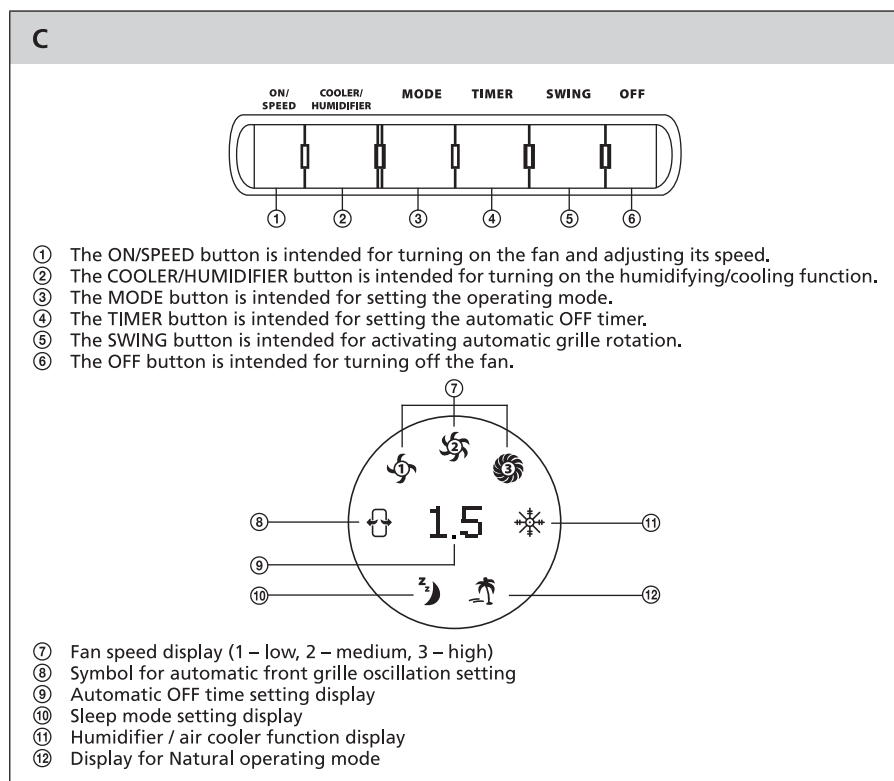
SFN 9011SL

EN

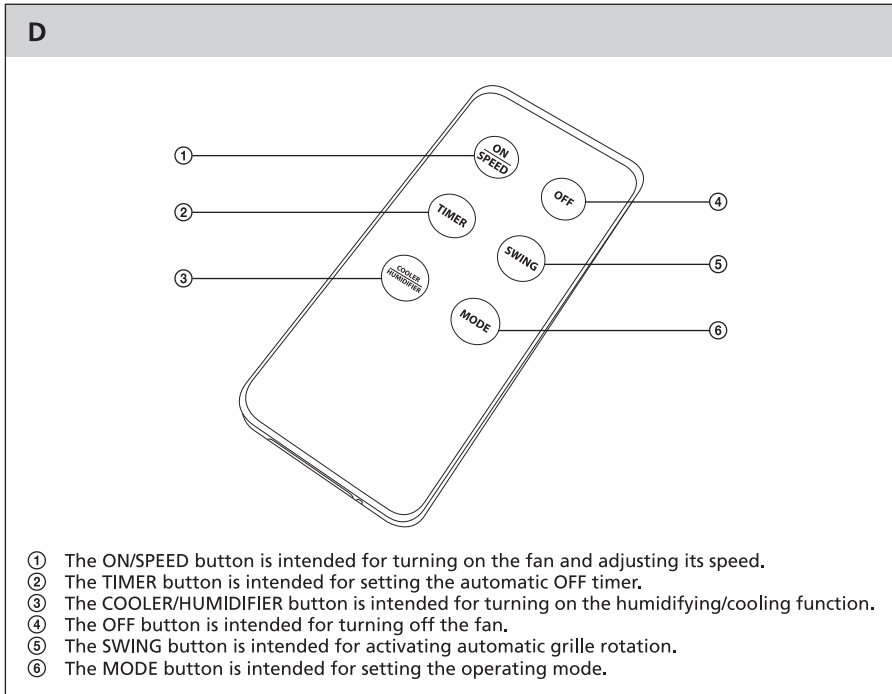
## DESCRIPTION OF ACCESSORIES



## DESCRIPTION OF CONTROL PANEL AND DISPLAY



## DESCRIPTION OF THE REMOTE CONTROL



## BEFORE FIRST USE

- Remove the appliance and its accessories from the packaging.
- Slide the battery compartment out of the remote control. Insert one 3V CR2032 battery according to the polarity shown on the back of the remote control. Close the compartment.



### Note:

Do not install the battery in the remote control if you will not be using it for an extended time.

## OPERATING THE FAN

- Plug the fan into a power socket. Position the power cord so that it will not be stepped on or tripped over.

### 1. TURNING ON AND SETTING THE FAN SPEED

- 1.1 To turn the fan on, press the ON/SPEED button C①.
- 1.2 After starting the fan, press the ON/SPEED button C① to set low, medium or high speed. The LED display A② shows the set speed.

### 2. SETTING AN OPERATING MODE

- 2.1 With the MODE button C③ you can set NORMAL, NATURAL or SLEEP mode.
- 2.2 If you select the NORMAL mode, the display will not show the symbol C② or C④. The fan operates at the speed that you have selected.
- 2.3 If you select NATURAL mode, the display shows the symbol C④. For the default fan speed setting, this mode is programmed as follows:

Default fan speed setting	Program
High	The high, medium, low speeds and fan OFF alternate in cycle.
Medium	The medium, low speeds and fan OFF alternate in cycle.
Low	The low speed and fan OFF alternate in cycle.

- 2.4 If you select the SLEEP mode, the display shows the symbol C④. For the default fan speed setting, this mode is programmed as follows:

Default fan speed setting	Program
High	The fan operates at high speed. After 30 minutes of operation, the fan speed decreases to medium. After another 30 minutes, the fan speed decreases to slow. The fan remains operating at low speed.
Medium	The fan operates at medium speed. After 30 minutes of operation, the fan speed decreases to low. The fan remains operating at low speed.
Low	The fan operates at low speed.

### 3. SETTING AUTOMATIC GRILLE ROTATION

- 3.1 To activate automatic grille rotation, press the SWING button C⑤. The front grille A① will turn clockwise, and the display will show the symbol C⑤.
- 3.2 To turn off automatic grille rotation, press the SWING button C⑤ again. Symbol C⑤ on the display goes off.

### 4. AIR HUMIDIFYING/COOLING FUNCTION

- 4.1 Remove the water tank A⑩ and fill it with clean, cold water. After filling the tank, if you want to humidify and cool the air at the same time, add one coolant pack B②. The coolant pack B② removes heat from the water and thus keeps it cooler for several hours. Slide the tank A⑩ back into the lower part of the fan and secure it by turning the button A⑬. After the button is turned, a tongue slides out that secures the tank A⑩ against movement.



#### Caution:

Capacity of the water tank is 6 litres. Do not fill the tank above the maximum water level indicator.

Before using the coolant pack B②, keep it in a freezer for several hours.

- 4.2 Activate the humidifying/cooling function by pressing button C②. For 3 minutes, the fan speed is controlled automatically. Then the fan speed switches to the one you have set. If you have not set a speed, the fan automatically switches to high speed.
- 4.3 The humidifying/cooling function automatically deactivates within 10 seconds after the water tank empties. To refill the water tank, repeat the steps 4.1 and 4.2.

### 5. SETTING THE AUTOMATIC SHUT-OFF TIMER

- 5.1 The TIMER button C④ is intended for setting the automatic shut-off time within a range of 0.5 to 7.5 hours.
- 5.2 Each time the TIMER button C④ is pressed, the shut-off time lengthens by 0.5 hour. The set time will appear on the display. Every 30 minutes the remaining time until shut-off is updated on the display. After the set time is reached the fan shuts off.

### 6. TURNING OFF

The OFF button C⑥ is intended for turning off the fan.

### 7. USING THE REMOTE CONTROL

The remote control buttons have the same functions as those on the control panel. To use the remote control, point it at approximately the level of the LED display. The maximum signal range is 6 m.



#### Note:

If there are obstructions between the remote control and the LED display, the signal may not go through.



## MAINTENANCE AND CLEANING

- Before cleaning the fan, turn it off and unplug it.

### CLEANING THE WATER TANK

- After each use, pour the remaining water out of the tank A② and rinse it with clean water.
- Regularly remove lime deposits from the tank A② – at least once a month. To remove lime deposits, use a clean cloth and a solution of warm water and neutral detergent. After using the detergent, rinse the tank A② with clean water.

### CLEANING THE REMOVABLE FILTERS

- Clean the dust and water filters A⑧, A⑨ regularly – at least once a month. Remove the filters and clean them with a soft brush, using a neutral cleaning agent. Then thoroughly rinse under flowing water and allow to dry naturally. After the filters have dried, reinstall them.



#### Caution:

Do not dry the filters with a hair dryer or in direct sunlight.

### CLEANING THE OUTER CASING

- Wipe the exterior with a clean, dry cloth. For tougher dirt, use a cloth slightly moistened with a solution of warm water and neutral detergent.
- Do not clean any part of the fan with aggressive substances, petrol or any other solvent.
- If you will not be using the fan for an extended time, store it in a clean, dry place. Remove the battery from the remote control.

## TECHNICAL SPECIFICATIONS

Nominal voltage.....	220–240 V
Nominal frequency.....	50 Hz
Rated power input.....	110 W
Safety class (for electric shock protection) .....	II
Noise level.....	66 dB(A)

The declared noise emission level for this appliance is 66 dB(A), which represents level A of the acoustic power relative to the reference acoustic power of 1 pW.

### Glossary of technical terms

Safety class for electric shock protection:

Class II – Electric shock protection is provided by double or heavy-duty insulation.

We reserve the right to change text and technical specifications.

## INSTRUCTIONS AND INFORMATION REGARDING THE DISPOSAL OF USED PACKAGING MATERIALS

Dispose of packaging material at a public waste disposal site.

## DISPOSAL OF USED BATTERIES

Batteries contain environmentally damaging compounds and therefore do not belong in standard household waste. Take the batteries to an appropriate collection point, which will see to their ecological disposal. You can obtain the contact for the nearest collection point from your town council or from your retailer.

## DISPOSAL OF USED ELECTRICAL AND ELECTRONIC APPLIANCES



The meaning of the symbol on the product, its accessory or packaging indicates that this product shall not be treated as household waste. Please, dispose of this product at your applicable collection point for the recycling of electrical & electronic equipment waste. Alternatively in some states of the European Union or other European states you may return your products to your local retailer when buying an equivalent new product.

The correct disposal of this product will help save valuable natural resources and help in preventing the potential negative impact on the environment and human health, which could be caused as a result of improper liquidation of waste. Please ask your local authorities or the nearest waste collection centre for further details. The improper disposal of this type of waste may fall subject to national regulations for fines.

### For business entities in the European Union

If you wish to dispose of an electrical or electronic device, request the necessary information from your seller or supplier.

### Disposal in other countries outside the European Union

If you wish to dispose of this product, request the necessary information about the correct disposal method from local government departments or from your seller.



This product meets all the basic EU regulation requirements that relate to it.