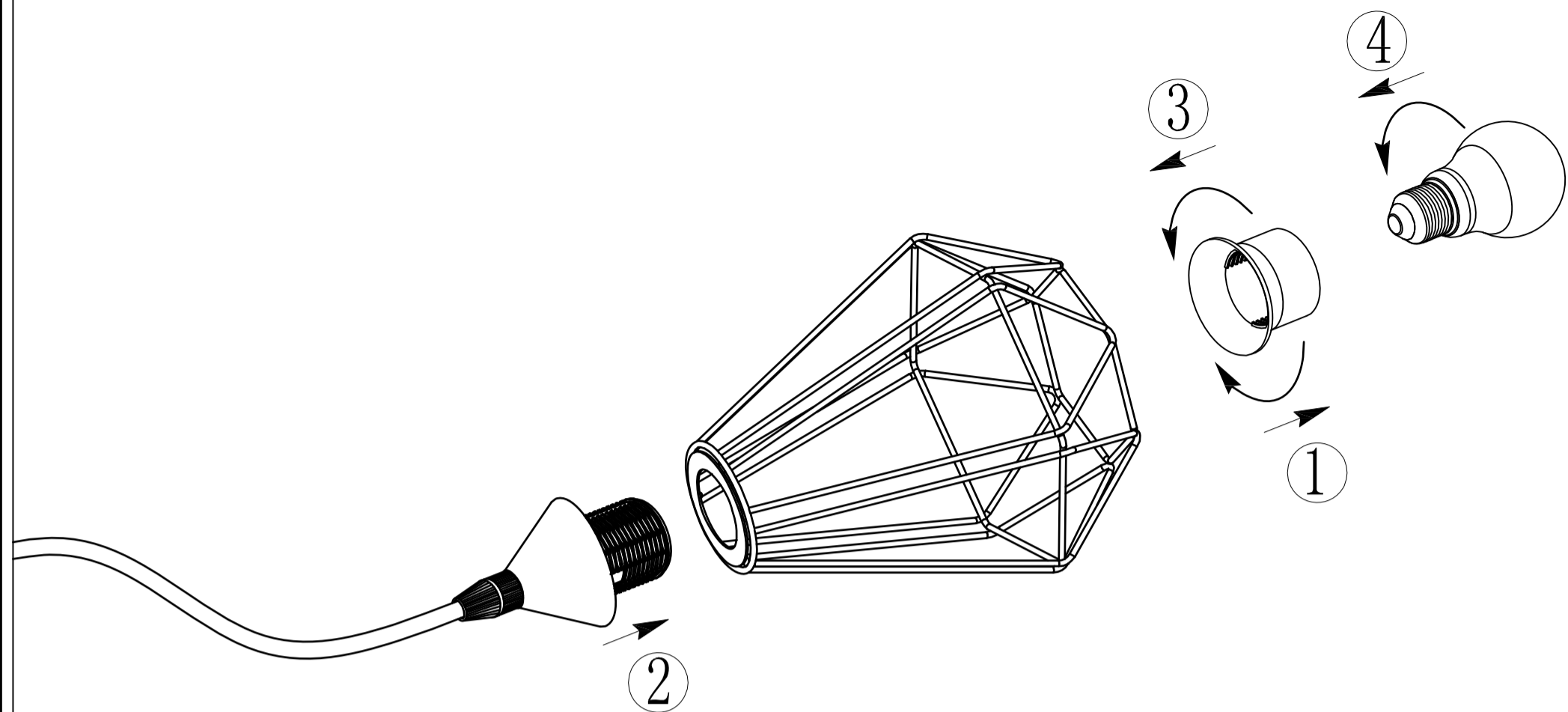


A



BLA94192

B

