

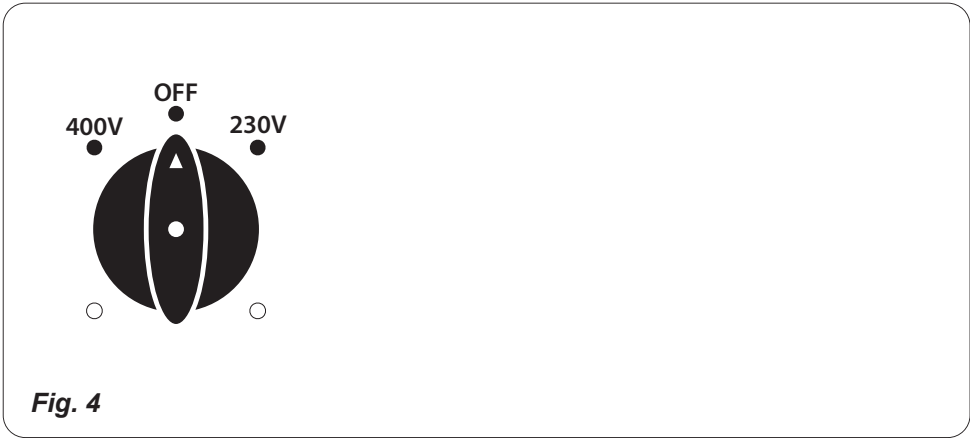
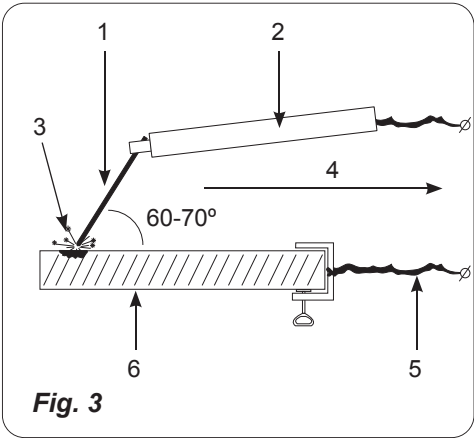
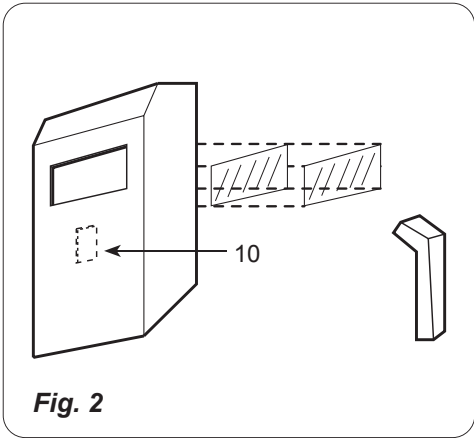
FERM®

POWER SINCE 1965



WEM1035

EN	Original instructions	03	HU	Eredeti használati utasítás fordítása	79
DE	Übersetzung der Originalbetriebsanleitung	10	CS	Překlad původního návodu k používání	86
NL	Vertaling van de oorspronkelijke gebruiksaanwijzing	17	SL	Preklad pôvodného návodu na použitie	92
FR	Traduction de la notice originale	24	PL	Tłumaczenie instrukcji oryginalnej	99
ES	Traducción del manual original	31	LT	Originalios instrukcijos vertimas	106
PT	Tradução do manual original	39	LV	Instrukciju tulkojums no oriģinālvalodas	113
IT	Traduzione delle istruzioni originali	46	ET	Algupärase kasutusjuhendi tõlge	120
SV	Översättning av bruksanvisning i original	53	BG	Превод на оригиналната инструкция	127
FI	Alkuperäisten ohjeiden käännös	60	RU	Перевод исходных инструкций	134
NO	Oversatt fra original veiledning	66	MK	Оригинални упатства	142
DA	Oversættelse af den originale brugsanvisning	72			



ARC WELDER 55 - 160A

The numbers in the following text refer to the picture on page 2 + 109



Read the operating instructions carefully before using this device. Familiarise yourself with its functions and basic operation. Service the device as per the instructions to ensure that it always functions properly. The operating instructions and the accompanying documentation must be kept in the vicinity of the device.

Introduction

The fusion welding process is used to melt the workpiece material under the influence of heat supplied. With electrical arc welding use is also made of welding material (electrodes). The weld originates after solidification. The heat required is obtained by maintaining an electrical arc between the electrode and workpiece. The welding process requires a strong current (55-160 A) with a relatively low voltage (10-48 V). A transformer in the welding appliance ensures the lowering of the mains voltage (400 V).

The device is not suitable for commercial use!

Contents

1. Machine information
2. Safety instructions
3. Mounting accessories
4. Operation
5. Service & maintenance

1. Machine information

Technical specifications

Voltage	230 / 400 V ~
Frequency	50 Hz
Welding power	55 / 140 A (230 V) / 160 A (400 V)
No-load voltage	48 V / 230 V
Power factor	0.62
Diameter of electrodes	2 - 4 mm
Weight	22.1 kg
Dimensions	56 x 32.5 x 40 cm
Thermal protection	105 °C (±5 °C)
Powercord	H07RN-F 3×1.5mm ² 2m
Welding cable	H01N2-D 1×16mm ² 2m

Contents of packing

1. Welding appliance
1. Welding mask
1. Wire brush/scaling hammer
1. User Manual
1. Safety instructions
1. Guarantee card

Check the machines, loose parts and accessories for transport damage.

Product information

Fig. 1 & Fig. 2

1. Indicator lamp temperature
2. On/off switch
3. Rotary knob for setting current intensity
4. Welding cable with electrode holder
5. Earth cable with fixture
6. Rubber cap
7. Handle
8. Ventilation slots
9. Wire brush /scaling hammer
10. Welding mask
11. Electrodes

Table: setting and use

Ø Electrode (mm)	Current intensity (A)	Suitable for, among others:
2	50-75	Material thickness 2-3 mm Repairing of wall stand
2.5	70-100	Material thickness 4-5 mm Garden fence, garden toys
3.2	95-150	Material thickness 6-7 mm Carport, garage
4	130-160	Material thickness 8-12 mm Construction (heavy)

2. Safety instructions



Caution! Read instruction manual.

Explanation of the symbols



Denotes risk of personal injury, loss of life or damage to the tool in case of non-observance of the instructions in this manual.



Indicates electrical shock hazard.



Immediately unplug the plug from the mains electricity in the case that the cord gets damaged and during maintenance.



Keep bystanders away.



Do not expose in rain



Wear ear and eye protection.



Wear protective gloves.



Always use a welding mask during welding



Wear protecting clothes

EN60974-6 Standard for welding appliances for manual metal arc welding with limited duty.

EMC classification in accordance with IEC 60974-10



Electrode holder



Earth terminal



Falling voltage



Single-phase transformer



Supply circuit, phases 1 or 3 ~50 Hz



Electrode diameter




Fusing 16A




Maximum I_1 max primary current intensity in Ampere



Secondary current intensity in Ampere

 Rated maximum welding time in intermittent

 Rated maximum welding time in continuous mode

IP21S Protection class. Sealed for objects up to 12 mm and against perpendicular falling drip water. Stoppage with water control.

H Insulation class

U₀ Rated no-load voltage

U₁ Rated supply voltage

U₂ Values of the conventional load voltage

I_{1eff} Maximum effective supply current

General safety instructions for welding appliances

- The user of the machine must have been instructed how to use and operate the machine.
- Ensure a well-illuminated and tidy working environment.
- Always remove the plug from the plug socket before carrying out maintenance on the machine.
- Remove the plug from the plug socket when you leave the machine.
- Do not use the machine before you have fully assembled and installed the machine as described in the manual.

Specific safety instructions for welding appliance

- Welding causes sparks and hot metal. Remember that this is a fire hazard, and remove all flammable objects from the working environment.
- Ensure good ventilation in the working environment. Gases are released when welding that are a danger to your health.
- Do not weld containers or pipes that contain or have contained flammable liquids or gases (danger of fire or explosion).
- Do not weld materials that have been cleaned with highly flammable liquids or that have painted surfaces (likelihood of the release of dangerous gases).
- Do not work in a humid or wet environment and do not weld in the rain.
- Always protect your eyes with the welding

mask supplied.

- Use gloves and protective clothing that are dry and not drenched in oil or dirt.
- The slag to be chipped off is sometimes glowing hot and can cause serious eye injuries during removal. Always wear protective goggles and gloves.
- Ultraviolet radiation can burn your skin during welding. So always wear suitable protective clothing.
- Your welding appliance is protected against overloading. The welding appliance therefore automatically switches off if it overloads. The welding appliance automatically switches on again after it has cooled sufficiently.
- During welding and cooling your workpiece can deform due to stresses. Always bear this in mind.
- Only the welding cables included in the delivery kit may be used (\varnothing 10 mm² rubberized welding cable).
- Special regulations apply to areas at risk of fire or explosions.
- Welded connections that are exposed to high stress and which must fulfill certain safety requirements may only be carried out by specially trained and certified welders. Some examples are: Pressure vessels, slide rails, tow couplings, etc.
- Important: Always connect the ground terminal as close as possible to the weld spot in such a way that the welding current can take the shortest possible path from the electrode to the ground terminal. Never connect the ground terminal to the housing of the welding device! Never connect the ground terminal to grounded components that are located far away from the workpiece, e.g., to a water pipe in another corner of the room. Otherwise, the protective conductor system of the room in which you are welding could become damaged.
- The fusing of the supply lines to the power outlets must correspond to regulations (VDE 0100). Protective contact outlets may be fused with a max of 16A (types and technical data: RT14-20, \varnothing 10 x 38, AC 400 V 16A. IEC 60269. slow blow. Manufacturer: Chint) (fuses or line-protection switches). Higher amperage fuses can lead to burnt cables or fire damage to the building.

Electrical safety



Switch off the machine at once if:

- There is a defect in the mains plug, power cable or there is damage to the cable.
- Defective switch.
- You see smoke or smell burnt insulation.



Warning! Depending on the supply mains conditions at the point of connection, the welding power source may cause interference to the supply to other electricity users. If there is any doubt about this question advice should be sought from the electricity supply authority.

- Make sure that the welding appliance and electric wiring connections are properly made. Any likelihood of electric shock can endanger life.
- Always ensure good connections, both of the electrode holder and the earth terminal.
- Do not allow electrical cables to be damaged by pulling. Disconnect cables before you move the welding appliance.
- Avoid contact with the electrically conductive part of the welding appliance, the electrode holder and the earth terminal.
- Always check that your mains voltage corresponds to the value on the type plate of the machine.
- With the replacement of cables or plugs: Throw away old cables or plugs as soon as they have been replaced by new ones. Inserting a loose cable plug in a plug socket is dangerous.
- For all welding appliances working on 230 Volts use at least 16 Ampere fusing
- When use is made of extension leads: Use only an approved extension lead that is suitable for the machine power. The cores must have a diameter of at least 1.5 mm². Roll the cord fully out if the extension cord is on a reel.
- Only allow qualified electricians to work on the supply voltage end, e.g., on cables, plug-in connectors, outlets, etc.

3. Mounting accessories



Make sure that the plug has been removed from the plug socket during the assembly of accessories.

Installation of the machine

- Install the welding appliance in a dry and clean space (free of iron powder, dust and paint).
- Place the welding appliance on a firm and flat surface and at least 20 cm from the wall.
- Protect the welding appliance against rain and strong sunlight.

The welding mask

Fig. 2

- Assemble the welding mask by fixing the handle with the delivered screws.
- Place the light glass (protective glass) in front of the dark welding glass. Place the glasses inside the window and lock them.
- Make sure that the glasses are positioned so that no (harmful) light can now penetrate the opening.
- Replace the light protective glass when the view of the workpiece becomes insufficient during welding. Replacing the dark welding glass is considerably more expensive than replacing the light protective glass.

Fitting new electrodes

The electrode consists of a metal core enclosed by a coating. At one end of the electrode the core is not covered by the coating.

- Press the handle of the electrode holder against the spring.
- Place an electrode with uncoated end (± 2 cm) in the electrode holder. Make sure that the non-coated part makes good contact with the metal part of the electrode holder (electrode not pushed too far in the electrode holder).
- Release the handle of the grip. The electrode is now fixed.



N.B! Do not allow the electrode to burn to lengths shorter than ± 5 cm because of overheating and/or the deformation of the electrode holder. The burnt up electrode will then be difficult to remove.

Removing used electrodes

Press the grip of the electrode holder against the spring so that the burnt up electrode can fall from the holder.



N.B! Do not remove the electrode from the holder by hand. The electrode is very hot!



N.B! Watch where the waste electrode falls to prevent a fire hazard and possible injury.



Warning: Read instruction manuals before operating and servicing this equipment.

Installation

Fig. 4

The initial position of the switch (2) is set to "OFF". The machine has 2 plugs, it can be used at 230V or 400V voltage.

- With the VDE plug, it can only be used in 230V position. To operate the welder at 230V voltage, connect the VDE plug to 230V power supply, then turn the switch (2) from "OFF" to 230V position.
- With the 5 pin industrial plug it can only be used at 400V. Connect the industrial plug to 400V power supply, then turn the switch (2) from "OFF" to 400V position.

Please note the following to avoid the risk of fire, electric shock or injury to persons:

- 1 Please make sure before operating the welder that the rated voltage of the unit matches that of the power source.
- 2 Please disconnect the device from the power supply before setting the nominal voltage.
- 3 Adjusting the nominal voltage during operation of the welder is prohibited.

4. Operating

Before use:

- a. General information about electric arc welding
- b. The electrode
- c. Protective clothing
- d. Face protection
- e. Working environment

a. General information about electric arc welding

The temperature of the arc amounts to approx. 7000° Celsius, so the end of the electrode and the workpiece fuse. For as long as the arc is maintained, the electrode will melt and supply the necessary welding material to the parts to be joined. The distance between the electrode and the workpiece must be as short as possible (approx. 1.5 - 4 mm) depending on the diameter and type of electrode. The current needed for welding is supplied by the welding appliance. The power required by the welding appliance depends on the work to be done. Make sure that the electrodes are completely dry, as moist electrodes cause problems. If the electrode sticks to the workpiece during welding your current intensity is set too low.

b. The electrode

- The electrode consists of a metal core enclosed by a coating. The coating has the most important purpose of protecting the welding pool and the transferring droplets against oxygen and nitrogen in the surrounding air. The electrode melts during welding. A part of the coating vaporises so a protective gaseous shield originates. part of the coating floats on the welding pool (it is lighter than steel) and also protects the cooling weld. After cooling this coating becomes a solid but easily removable slag on the welded joint.
- Handle the electrodes with care so the coating is not broken. Make sure that the electrodes are thoroughly dry, so store them in a moisture-free place.
- It is of great importance to use the right electrode to make a good and strong welded joint. A universal electrode will in many cases be suitable for your work. The electrode packaging mentions in which positions welding can be done with the electrodes concerned (above the head, downwards, etc. bearing in mind the speed of melting of the electrode). Separate electrodes are commercially available for the welding of types of stainless steel and cast iron. Consult your dealer about purchasing the right electrode.

c. Protective clothing

Wear thoroughly covering clothing so that the likelihood of the skin being burnt by ultraviolet radiation or splashes of metal is minimised. Preferably wear cotton overalls, welding gloves

and safety shoes. Make sure that welding spatter cannot end up in gloves or shoes.

A (leather) welding apron stops burning and sparks damaging overalls.

d. Face protection

Fig. 2

Use a good welding mask with (dark) welding glass and protective glass. Check that both glasses are correctly fitted (well-fastened and not allowing any sunlight in).

The welding mask protects the welder against radiation, heat and weld spatter released during the welding process. This also reduces the inhalation of welding fumes. The invisible ultraviolet rays cause so-called "welder's flash". This already originates after a few seconds of looking into the electric arc.

Avoid the effects of this radiation and high temperatures on the face and other exposed body parts such as the neck and arms.

Protect yourself against the dangerous effects of the electric arc and keep persons who are not participating in the work at least 15 m from the arc. Persons or assistants working in the vicinity of the electric arc must be advised of the hazards and they must be equipped with the required protective gear. If required, set up protective walls.

e. Working environment

- Ensure a well ventilated working environment. Gases are released when welding that are a danger to your health.
- Remove all flammable objects from the working environment. Welding causes sparks and hot metal.
- Make sure that cooling water is present in the vicinity of workplace. Do not leave just welded (hot) workpieces unattended in the workplace. Cool the workpiece before leaving the workplace.

Protection against radiation and burns

- At the work place, the hazard to the eyes must be indicated by a sign stating "Caution! Do not look at the flames!" The workstations must be shielded as much as possible in such a manner that personnel standing in the vicinity of the workstation are protected. Keep unauthorized personnel away from the welding work.
- In the immediate vicinity of the stationary workstations, the walls should not be brightly colored or glossy. Windows must be coated

with suitable paint to at least eye-level to prevent radiation reflecting or passing through.

Bringing into use

Fig. 3

Tip: Before you start welding difficult workpieces it is best to first try the welding out on a test piece.

- Ensure a clean workpiece: remove any rust, grease and paint residues.
- Set the required current intensity using the knob on the front of the welding appliance. The choice of current intensity depends on the workpiece and the type of electrode used.
- Place the part of the electrode without coating in the electrode holder and connect the earth terminal to the workpiece.
- Switch the welding appliance on with the main switch.
- Keep the welding mask in front of your face and move the point of the electrode over the workpiece as if you were striking a match. This is the best way to start the welding arc. Do not strike the workpiece with the electrode. This will damage the electrode and impede the creation of the welding arc.
- After creating the welding arc immediately try to keep the distance between point of the electrode and the workpiece equal. Keep this distance equal to the diameter of the electrode. Keep this distance as constant as possible during welding.
- Move the electrode in a gradual pulling movement over the workpiece.
- Keep the angle between electrode and workpiece between 60° and 70° in the direction of movement.
- When the welded joint has been made, break the welding arc by removing the electrode from the workpiece.
- Switch off the welding appliance.



N.B. If you leave the welding appliance on, the likelihood is great that the electrode will make contact (through the work bench) with the earth cable and spontaneously start to weld.

- Remove the slag from the welded joint with a scaling hammer.



Take care for hot flying metal particles. Always wear protective goggles.

- Never weld over slag residues: the slag forms an insulating and contaminated layer, and as a result weakens the weld (so-called slag inclusion).
- Brush the weld clean using a wire brush.



N.B. The workpiece is still at a very high temperature.

Do not leave the hot workpiece unattended.

Indicator lamp temperature

Fig. 1

When the temperature of the welding appliance becomes too high, the built-in thermostat will switch off (indicator light comes on). The built-in ventilator cools the machine. After cooling the lamp goes off again.

Preferably allow the machine a sufficient time to cool down; with intensive welding the likelihood is great that the thermal cut-out will trigger again after a few minutes.

5. Service & maintenance



Make sure that the machine is disconnected before carrying out any maintenance.

This machine has been designed to operate over a long period of time with a minimum of maintenance. Continuous satisfactory operation depends upon proper machine care and regular cleaning.

Malfunction

Should the machine fail to function correctly, a number of possible causes and the appropriate solutions are given below:

The welding appliance is not working.

- Earth terminal does not have good contact with the workpiece.
- Electrode is not properly positioned in its holder.
- Thermal control switched off, or thermal protection broke.
- Fusing defective (in meter box).
- The cable is broken.
- The switch is defective/contact your dealer.

Electrode continues to 'stick' to the workpiece.

- Use the right type of electrode (universal)
- Current intensity too low/turn button 3 clockwise

Electrode is orange-red.

- Current intensity too high for this type of electrode/turn button 3 anti-clockwise

Electrode spatters excessively and makes a lot of noise during welding.

- Current intensity too high/turn button 3 anti-clockwise

The machine is too hot; indicator lamp is on.

- The ventilation slots are blocked/clean them with a dry cloth; wait a few minutes until the lamp goes off again.



Repairs and servicing should only be carried out by a qualified technician or service firm.

Cleaning

- Make sure that the ventilation slots are free of dust and dirt. Use a soft cloth moistened with soapy water for removing stubborn dirt. Do not use any solvents such as petrol, alcohol or ammonia, etc.
- Make sure that the electrode holder and earth terminal remain corrosion-free so they can continue making good electrical contact.
- Regularly check that welding and workpiece cables are firmly connected in their connections

Lubrication

The machine requires no additional lubrication.

Faults

Should a fault occur, e.g. after wear of a part, please contact the service address on the warranty card. In the back of this manual you find an exploded view showing the parts that can be ordered.

Environment

To prevent damage during transport, the appliance is delivered in a solid packaging which consists largely of reusable material. Therefore please make use of options for recycling the packaging.



Faulty and/or discarded electrical or electronic apparatus have to be collected at the appropriate recycling locations.

Only for EC countries

Do not dispose of power tools into domestic waste. According to the European Guideline 2012/19/EU for Waste Electrical and Electronic Equipment and its implementation into national right, power tools that are no longer usable must be collected separately and disposed of in an environmentally friendly way.

Warranty

The guarantee conditions can be found on the separately enclosed guarantee card.

ELEKTRO-SCHWEISSGERÄT 55 - 160A

Die Ziffern im nachstehenden Text verweisen auf die Abbildungen auf Seite 2 + 109



Um Ihre eigene Sicherheit und die Sicherheit Anderer zu gewährleisten, empfehlen wir Ihnen, sich diese Bedienungsanleitung vor der ersten Inbetriebnahme gründlich durchzulesen. Bewahren Sie diese Anleitung und die übrige Dokumentation zusammen mit der Maschine auf.

Einführung

Beim Schmelzschweißen wird das Werkstückmaterial unter Einfluss zugeführter Wärme zum Schmelzen gebracht. Beim Lichtbogenschweißen werden außerdem Schweißzusätze (Elektroden) eingesetzt. Nach dem Erstarren ist die Schweißverbindung hergestellt.

Die erforderliche Wärme wird mittels eines elektrischen Bogens zwischen Elektrode und Werkstück erzeugt. Für den Schweißvorgang ist eine hohe Stromstärke (55-160 A) mit relativ niedriger Spannung (10-48 V) erforderlich. Ein Transformator im Schweißgerät bewirkt, dass die Netzspannung (400 V) vermindert wird.

Das Gerät ist nicht für den gewerblichen Einsatz geeignet!

Inhalt

1. Technische Daten
2. Sicherheitsvorschriften
3. Montage des zubehörs
4. Bedienung
5. Wartung und Pflege

1. Technische daten

Gerätedaten

Spannung	230 / 400 V ~
Frequenz	50 Hz
Schweißleistung	55 / 140 A (230 V) / 160 A (400 V)
Zündspannung	48 V / 230 V
Leistungsfaktor	0.62
Elektroden Durchmesser	2 - 4 mm
Gewicht	22.1 kg
Abmessungen	56 x 32.5 x 40 cm
Thermoschutz	105 °C (±5 °C)
Kabel	H07RN-F 3×1.5mm ² 2m

Schweißkabel

H01N2-D 1×16mm² 2m

Verpackungsinhalt

- Schweißgerät
- Schweißschild
- Drahtbürste/Schlackenhammer
- Bedienungsanleitung
- Sicherheitsvorschriften
- Garantiekarte

Produktinformationen

Abb. 1 & Abb. 2

1. Temperaturanzeige
2. Ein-/Ausschalter
3. Drehschalter zur Einstellung der Stromstärke
4. Schweißkabel mit Elektrodenhalter (vormontiert)
5. Massekabel mit Werkstückklemme (vormontiert)
6. Gummifuß
7. Handgriff
8. Lüftungsschlitze
9. Drahtbürste/Schlackenhammer
10. Schweißschild
11. Elektroden

Tabel: Einstellung und Gebrauch

Ø Electrode (mm)	Stromstärke (A)	Geeignet u.a. für:
2	50-75	Materialdicke 2 - 3 mm Reparatur Wandregal
2.5	70-100	Materialdicke 4 - 5 mm Gartentor, Spielgerät
3.2	95-150	Materialdicke 6 - 7 mm Carport, Garage
4	130-220	Materialdicke 8 - 12 mm Konstruktion (schwer)

2. Sicherheitsvorschriften



Vorsicht! Betriebsanleitung lesen.

Erläuterung der Symbole



Lebens- und Verletzungsgefahr und Gefahr von Beschädigungen am Gerät bei Nichteinhaltung der Sicherheitsvorschriften in dieser Anleitung.



Deutet das Vorhandensein elektrischer Spannung an.



Ziehen Sie, falls das Kabel beschädigt wird und auch während Wartungsarbeiten, sofort den Netzstecker.



Umstehende fernhalten.



Gegen Regen Schützen



Schutzbrille und Gehörschutz tragen.



Schutzhandschuhe tragen.



Beim Schweißen immer ein Schweißschild verwenden



Schutzkleidung tragen

EN60974-6 Norm bezüglich Schweißstromquellen zum Lichtbogenhandschweißen für begrenzten Betrieb

MV-Klassifizierung gemäß IEC 60974-10



Elektrodenhalter



Masseklemme



Abfallende Spannung



Einphasentransformator



Versorgungskreis, 1 oder 3 Phasen, ~50 Hz




Elektrodedurchmesser




Sicherung 16 A

I_{1max} Maximale Primärstromstärke in Ampere

I_2 Sekundärstromstärke in Ampere

 Maximale Nennschweißzeit im intermittierenden Betrieb

 Maximale Nenn-Schweißzeit im Dauerbetrieb

IP21S Schutzart. Schutz vor Berührung mit mittelgroßen Fremdkörpern ($\varnothing > 12 \text{ mm}$) und senkrecht fallendem Tropfwasser.

H Isolationsklasse

U₀ Leerlaufnennspannung

U₁ Versorgungsnennspannung

U₂ Werte der konventionellen Belastung

I_{1eff} Maximaler effektiver Versorgungsstrom

Allgemeine Sicherheitsvorschriften für Schweißgeräte

- Der Gerätebediener muss über Gebrauch, Einstellung und Bedienung des Geräts instruiert sein.
- Sorgen Sie für eine gut beleuchtete und saubere Arbeitsumgebung.
- Ziehen Sie immer den Stecker aus der Steckdose, ehe Sie Wartungsarbeiten am Gerät ausführen.
- Ziehen Sie den Stecker aus der Steckdose, wenn Sie das Gerät zurücklassen.
- Verwenden Sie das Gerät nicht, ehe es den Anweisungen in der Anleitung gemäß völlig montiert und installiert ist.
- Betätigen Sie Schweißgeräte nicht in explosionsgefährdeten Atmosphären, zum Beispiel in der Nähe von entzündbaren Flüssigkeiten, Gasen oder Staub. Schweißgeräte erzeugen Funken, durch die Staub oder Dämpfe entzündet werden können.

Spezifische Sicherheitsvorschriften für Schweißgeräte

- Beim Schweißen werden Funken und heißes Metall frei. Dadurch entsteht Brandgefahr! Entfernen Sie daher alles Brennbares aus dem Arbeitsbereich.
- Sorgen Sie für ausreichende Lüftung des Arbeitsbereichs. Beim Schweißen werden gesundheitsgefährdende Gase frei.
- Führen Sie keine Schweißarbeiten an Behältern oder Leitungen aus, die brennbare

Flüssigkeiten oder Gase enthalten (Brand- oder Explosionsgefahr).

- Führen Sie keine Schweißarbeiten an Werkstücken aus, die mit leicht entflammaren Flüssigkeiten gereinigt wurden oder eine lackierte Oberfläche haben (dabei können schädliche Gase frei werden).
- Arbeiten Sie nicht in feuchten oder nassen Umgebungen und schweißen Sie nicht im Regen.
- Die Augen müssen immer mit dem mitgelieferten Schweißschild geschützt werden.
- Tragen Sie trockene und nicht mit Öl oder Schmutz durchtränkte Handschuhe und Schutzkleidung.
- Die abzuklopfende Schlacke kann glühend heiß sein. Das Entfernen der Schlacke kann dann ernsthafte Augenverletzungen zur Folge haben. Tragen Sie immer eine Schutzbrille und Handschuhe.
- Beim Schweißen können durch ultraviolette Strahlung Hautverbrennungen entstehen. Tragen Sie daher angemessene Schutzkleidung.
- Das Schweißgerät ist mit einem Überlastungsschutz ausgestattet. Das bedeutet, dass es bei Überlastung automatisch ausgeschaltet wird. Wenn es ausreichend abgekühlt ist, wird das Gerät automatisch wieder eingeschaltet.
- Berücksichtigen Sie, dass das Werkstück sich während des Schweiß- und Abkühlvorgangs durch Spannungen verformen kann.
- Es dürfen nur die im Lierumfang enthaltenen Schweißleitungen verwendet (\varnothing 10 mm² Gummischweißleitung werden).
- In Feuer- und Explosionsgefährdeten Räumen gelten besondere Vorschriften.
- Schweißverbindungen, die großen Beanspruchungen ausgesetzt sind und bestimmte Sicherheitsforderungen erfüllen müssen, dürfen nur von besonders ausgebildeten und geprüften Schweißern ausgeführt werden. Beispiel sind: Druckkessel, Laufschiene, Anhängerkupplungen usw.
- Achtung: Schliessen Sie die Masseklemme stets so nahe wie möglich an die Schweißstelle an, so dass der Schweißstrom den kürzestmöglichen Weg von der Elektrode zur Masseklemme nehmen kann. Verbinden Sie die Masseklemme niemals mit dem Gehäuse des Schweißgerätes! Schliessen Sie die Masseklemme niemals an

geerdeten Teilen an, die weit vom Werkstück entfernt liegen, z.B. einem Wasserrohr in einer anderen Ecke des Raumes. Andernfalls könnte es dazu kommen, dass das Schutzleitersystem des Raumes, in dem Sie schweißen, beschädigt wird.

- Die Absicherungen der Zuleitungen zu den Netzsteckdosen muss den Vorschriften entsprechen (VDE 0100). Schutzkontaktsteckdosen dürfen mit max 16A (Typen und technische Daten: RT14-20, \varnothing 10 x 38, AC 400 V 16A. IEC 60269. Traeae auslösen. Hersteller (Chint) abgesichert werden (Sicherungen oder Leitungsschutzschalter). Höhere Absicherungen können Leitungsbrand bzw. Gebäudebrandschäden zur Folge haben.

Elektrische Sicherheit



In folgenden Fällen muss das Gerät sofort ausgeschaltet werden:

Fehler im Stecker/Netzabel oder beschädigtes Kabel

- Defekter Schalter
- Qualm oder Gestank von verschmorter Isolierung



Abhängig von den Netzstrombedingungen am Anschlusspunkt kann die Schweißstromquelle bei anderen Stromnutzern Störungen verursachen. Wenn Sie diesbezüglich irgendwelche Zweifel haben, erkundigen Sie sich bitte bei Ihrem Stromversorgungsunternehmen.

- Achten Sie darauf, dass die Verbindung zwischen Schweißgerät und Lichtnetz fehlerfrei ist. Jede Elektroschockgefahr kann lebensbedrohlich sein.
- Sorgen Sie für einwandfreie Verbindungen, sowohl für den Elektrodenhalter als die Masseklemme.
- Verhindern Sie, dass Stromkabel kaputt gezogen werden können. Ehe das Schweißgerät versetzt wird, müssen die Kabel erst getrennt werden.
- Vermeiden Sie jeden Kontakt mit dem stromführenden Teil des Schweißgeräts, dem Elektrodenhalter und der Masseklemme.
- Überprüfen Sie immer, ob die Netzspannung mit dem auf dem Typenschild des Geräts angegebenen Wert übereinstimmt.

- Nach Ersetzen eines Kabels oder Steckers, muss das alte Kabel bzw. der alte Stecker sofort weggeworfen werden. Das Einstecken eines losen Kabels in die Netzsteckdose ist gefährlich.
- Verwenden Sie für alle Schweißgeräte mit 230 Volt Sicherungen von mindestens 16 Ampere.
- Verwenden Sie ausschließlich zugelassene Verlängerungskabel, die für die Leistungsaufnahme des Geräts geeignet sind. Die Leiter müssen einen Querschnitt von mindestens 1,5 mm² haben. Bei Verwendung einer Kabeltrommel muss das Kabel immer ganz abgewickelt werden.
- Arbeiten auf der Netzspannungsseite, z.B. an Kabeln, Steckern, Steckdosen usw. nur von einer Elektrofachkraft ausführen lassen.
- Den Griff des Elektrodenhalters gegen den Federdruck zusammenkneifen.
- Eine Elektrode mit dem nicht ummantelten Ende (± 2 cm) in den Elektrodenhalter einsetzen. Achten Sie darauf, dass der Kontakt zwischen dem nicht ummantelten Teil und dem Metallteil des Elektrodenhalters richtig hergestellt wird (Elektrode nicht zu weit in den Elektrodenhalter stecken).
- Den Hebel des Griffs entspannen. Die Elektrode sitzt jetzt fest.



Achtung! Um Überhitzung und/oder Verformung des Elektrodenhalters zu vermeiden, darf die Elektrode nicht weiter als auf eine Länge von ± 5 cm in abbrennen. Außerdem wird das Entfernen der abgebrannten Elektrode dadurch erschwert.

3. Montage des zubehör



Achten Sie beim Anbringen von Zubehör darauf, dass der Stecker aus der Steckdose gezogen ist.

Aufstellen des Geräts

- Stellen Sie das Schweißgerät in einem trockenen, sauberen Raum (frei von Eisenstaub, Staub und Lack) auf.
- Das Gerät muss auf einem stabilen, flachen Untergrund mit mindestens 20 cm Abstand zur Wand stehen.
- Vor Regen und greller Sonne schützen.

Schweißschild

Abb. 2

- Bauen Sie die Schweißmaske zusammen, indem Sie den Griff mit den mitgelieferten Schrauben anbringen.
- Das helle Glas (Schutzglas) vor dem dunklen Schweißglas anbringen. Setzen Sie die Scheibe in das Fenster ein und sichern Sie sie.
- Achten Sie darauf, dass die Gläser so angebracht sind, dass kein (schädliches) Licht mehr durch die Öffnung eindringen kann.
- Wenn die Sicht auf das Werkstück beim Schweißen nicht mehr ausreicht, muss das helle Schutzglas ausgewechselt werden. Das Ersetzen des dunklen Schweißglases ist erheblich kostspieliger als das Ersetzen des hellen Schutzglases.

Einsetzen einer neuen Elektrode

Die Elektrode besteht aus einem Metallkern mit einer Ummantelung. An einem Ende ist die Elektrode nicht von der Ummantelung umhüllt.

Entfernen der abgebrannten Elektrode

Den Griff des Elektrodenhalters gegen den Federdruck zusammenkneifen, sodass die abgebrannte Elektrode aus dem Halter fallen kann.



Achtung! Die Elektrode nicht mit der Hand aus dem Halter nehmen, sie ist sehr heiß!



Achtung! Achten Sie darauf, wohin der Elektrodenabfall fällt, damit keine Brandgefahr und Verletzungen verursacht werden können.



Warnung: Lesen Sie vor Betrieb und Wartung dieser Geräte die Betriebsanleitungen.

Installation

Abb. 4

Die Ausgangsposition des Schalters (2) ist "OFF" (Aus).

Die Maschine besitzt 2 Stecker und kann mit einer Spannung von 230V oder 400V genutzt werden.

- Mit dem VDE-Stecker kann sie nur in der 230V-Position verwendet werden. Um das Schweißgerät bei einer Spannung von 230V zu betreiben, stecken Sie den VDE-Stecker in eine 230V-Steckdose und stellen Sie den Schalter (2) dann aus der Position "OFF" (Aus) auf 230V.
- Mit dem 5-poligen Industriestecker kann das Gerät nur bei 400V verwendet werden. Stecken Sie den Industriestecker in eine

400V-Steckdose und stellen Sie den Schalter (2) dann aus der Position "OFF" (Aus) auf 400V.

Bitte beachten Sie Folgendes, um die Gefahr vor Feuer, Stromschlag oder Verletzungen zu vermeiden:

- 1 Bevor Sie das Schweißgerät verwenden, stellen Sie sicher, dass die Nennspannung des Geräts mit derjenigen der Stromquelle übereinstimmt.
- 2 Trennen Sie das Gerät von der Stromversorgung, bevor Sie die Nennspannung einstellen.
- 3 Das Einstellen der Nennspannung während des Betriebs des Schweißgeräts ist verboten.

4. Bedienung

Vor der Inbetriebnahme:

- a. Allgemeine Informationen über Elektroschweißen
- b. Die Elektrode
- c. Schutzkleidung
- d. Gesichtsschutz
- e. Arbeitsumgebung

a. Allgemeine Informationen über Elektroschweißen

Die Temperatur des Lichtbogens beträgt ca. 7000 Grad Celsius, wodurch die Spitze der Elektrode und das Werkstück zum Schmelzen gebracht werden. Solange der Lichtbogen instand gehalten wird, schmilzt die Elektrode ab und erzeugt so das erforderliche Schweißgut zur Verbindung der betreffenden Teile. Der Abstand zwischen Elektrode und Werkstück muss – abhängig von Durchmesser und Art der Elektrode – so kurz wie möglich sein (ca. 1,5–4 mm). Der für das Schweißen erforderliche Strom wird durch ein Schweißgerät geliefert. Wie hoch die benötigte Leistung des Schweißgeräts ist, hängt von der auszuführenden Arbeit ab.

Sorgen Sie für trockene Elektroden, da feuchte Elektroden Probleme verursachen. Wenn die Elektrode beim Schweißen am Werkstück klebt, ist die Stromstärke zu niedrig eingestellt.

b. Die Elektrode

- Die Elektrode besteht aus einem Eisenkern mit einer Ummantelung. Der Hauptzweck der Ummantelung ist, das Schmelzbad und die übergehenden Tropfen vor dem in der umgebenden Luft enthaltenen Sauerstoff und

Stickstoff zu schützen. Während des Schweißvorgangs schmilzt die Elektrode ab. Die Ummantelung verdampft teilweise, wodurch ein schützender Gasmantel entsteht. Ein Teil der Ummantelung schwimmt auf dem Schmelzbad (das Material ist leichter als Stahl) und schützt so auch die abkühlende Schweißnaht. Nach dem Abkühlen bleibt das Ummantelungsmaterial als feste, aber einfach entfernbare Schlacke auf der Schweißraupe zurück.

- Gehen Sie vorsichtig mit den Elektroden um, damit die Ummantelung nicht beschädigt wird. Die Elektroden müssen immer ganz trocken sein und sind daher feuchtigkeitsgeschützt zu lagern.
- Zur Herstellung einer guten, stabilen Schweißverbindung ist die Verwendung der richtigen Elektrode besonders wichtig. In vielen Fällen ist für die erforderlichen Arbeiten eine Universalelektrode ausreichend. Auf der Verpackung der Elektroden ist angegeben, in welchen Positionen damit geschweißt werden kann (Überkopf-, Fall-, Wannenposition usw.). Für das Schweißen von Edelstahlsorten und Gusseisen sind spezielle Elektroden im Handel erhältlich. Ziehen Sie zum Erwerb der passenden Elektrode Ihren Händler zu Rate.

c. Schutzkleidung

Tragen Sie gut abschirmende Kleidung, um die Gefahr von Hautverbrennungen durch freier werdende ultraviolette Strahlen und Metallspritzern zu minimieren.

Tragen Sie vorzugsweise einen Arbeitsoverall aus Baumwolle, Schweißhandschuhe und Sicherheitsschuhe. Stellen Sie sicher, dass keine Schweißspritzer in die Handschuhe oder Schuhe gelangen können. Eine Schweißerschürze (z. B. aus Leder) schützt vor Einbrennen von Funken in den Overall.

d. Gesichtsschutz

Abb. 2

Verwenden Sie ein gutes Schweißschild mit (dunklem) Schweißglas und einem Schutzglas. Überprüfen Sie beide Gläser auf vorschriftsgemäße Montage (fester Sitz und für Sonnenlicht undurchlässig).

Das Schweißschild schützt den Schweißer vor Strahlen, Hitze und Schweißspritzern, die während des Schweißvorgangs frei werden. Außerdem wird durch das Schild weniger Schweißrauch eingeatmet.

Die unsichtbaren ultravioletten Strahlen verursachen Augenschäden. Diese treten bereits auf, nachdem man einigen Sekunden in den Lichtbogen geblickt hat.

Vermeiden Sie die Einwirkung dieser Strahlen und hoher Temperaturen auf das Gesicht und andere unbedeckte Körperteile, wie z. B. Hals und Arme. Schützen Sie sich gegen die gefährlichen Effekte des Lichtbogens und halten Sie nicht an der Arbeit beteiligte Personen mindestens 15m vom Lichtbogen entfernt.

Auch in der Nähe des Lichtbogens befindliche Personen oder Helfer müssen auf die Gefahren hingewiesen und mit den nötigen Schutzmitteln ausgerüstet werden. Wenn erforderlich, Schutzwände aufstellen.

e. Arbeitsumgebung

- Sorgen Sie für ausreichende Lüftung des Arbeitsbereichs. Beim Schweißen werden gesundheitsgefährdende Gase frei.
- Alle brennbaren Objekte müssen aus dem Arbeitsbereich entfernt werden. Beim Schweißen werden Funken und heißes Metall frei.
- Sorgen Sie dafür, dass in der Nähe des Arbeitsorts Kühlwasser vorhanden ist. Frisch geschweißte (heiße) Werkstücke dürfen nicht unbeaufsichtigt am Arbeitsort zurückbleiben. Sorgen Sie vor Verlassen des Arbeitsorts dafür, dass das Werkstück abgekühlt ist.

Schutz gegen Strahlen und Verbrennungen

- An der Arbeitstelle durch die Beschilderung "Vorsicht! Nicht in die Flammen sehen!" auf die Gefährdung der Augen hinweisen. Die Arbeitsplätze sind möglichst so abzuschirmen, dass die in der Nähe befindlichen Personen geschützt sind. Unbefugte sind von den Schweißarbeiten fernzuhalten.
- In unmittelbarer Nähe ortsfester Arbeitsstellen sollen die Wände nicht hellfarbig und nicht glänzend sein. Fenster sind mindestens bis Kopfhöhe gegen Durchlassen oder Zurückwerfen von Strahlung zu sichern, z. B. durch geeigneten Anstrich.

Inbetriebnahme

Abb. 3

Hinweise: Vor dem Schweißen schwieriger Werkstücke können Sie am besten erst an einem Probestück üben.

- Das Werkstück muss sauber sein: wenn erforderlich Rost, Fett und Lackreste

entfernen.

- Die gewünschte Stromstärke mit dem Drehschalter auf der Vorderseite des Schweißgeräts einstellen. Welche Stromstärke verwendet werden muss, hängt vom Werkstück und dem gebrauchten Elektrodentyp ab.
- Den nicht ummantelten Teil der Elektrode in den Elektrodenhalter einsetzen und die Masseklemme mit dem Werkstück verbinden.
- Das Schweißgerät mit dem Hauptschalter einschalten.
- Das Schweißschild vor das Gesicht halten und mit der Elektrodenspitze über das Werkstück streichen (wie zum Zünden eines Streichholzes). Dies ist die beste Methode zum Erzeugen des Lichtbogens. Schlagen Sie nicht mit der Elektrode gegen das Werkstück. Dies hat Beschädigungen an der Elektrode zur Folge und erschwert die Zündung des Lichtbogens.
- Versuchen Sie gleich nach Entstehen des Lichtbogens, den Abstand zwischen Elektrodenspitze und Werkstück gleich zu halten. Dieser Abstand muss gleich dem Durchmesser der Elektrode sein. Während des Schweißvorgangs muss dieser Abstand so weit wie möglich eingehalten werden.
- Mit der Elektrode langsam über das Werkstück fahren.
- Der Winkel zwischen Elektrode und Werkstück muss zwischen 60° und 70° in Bewegungsrichtung gehalten werden.
- Wenn die Schweißverbindung fertig ist, den Lichtbogen durch Entfernen der Elektrode vom Werkstück unterbrechen.
- Schweißgerät ausschalten.



Achtung: Wenn Sie das Schweißgerät eingeschaltet lassen, besteht große Gefahr, dass die Elektrode einen Kontakt (über die Werkbank) mit dem Massekabel herstellt und spontan anfängt zu schweißen.

- Die Schlacke mit dem Schlackenhammer von der Schweißnaht abklopfen.



Vorsicht vor umherfliegenden heißen Metallsplintern. Tragen Sie immer eine Schutzbrille.

- Schweißen Sie nie über Schlackereste, da die Schlacke eine isolierende und

verschmutzende Schicht bildet, wodurch die Schweißnaht geschwächt wird (dies nennt man Schlackeneinschluss).

- Die Schweißnaht mit der Drahtbürste sauber bürsten.



Achtung: Die Temperatur des Werkstücks ist immer noch sehr hoch. Lassen Sie es nicht unbeaufsichtigt zurück.

Temperaturanzeige

Abb. 1

Wenn die Temperatur des Schweißgeräts zu hoch wird, wird der eingebaute Thermostat automatisch ausgeschaltet (Temperaturanzeige fängt an zu leuchten). Der eingebaute Lüfter kühlt das Gerät. Wenn es sich abgekühlt hat, erlischt die Anzeige wieder.

Lassen Sie das Gerät wenn möglich ausreichend lange abkühlen. Bei intensivem Schweißen ist es sehr wahrscheinlich, dass der Thermoschutz sonst nach einigen Minuten bereits wieder aktiviert wird.

5. Wartung und pflege



Achten Sie darauf, dass die Maschine nicht an das Stromnetz angeschlossen ist, wenn Wartungsarbeiten an den mechanischen Teilen durchgeführt werden.

Diese Maschinen sind so konzipiert, dass sie lange Zeit bei minimalem Wartungsaufwand problemlos funktionieren. Durch regelmäßiges Reinigen und sachgerechte Behandlung verlängern Sie die Lebensdauer Ihrer Maschine.

Störungen

Sollte die Maschine nicht korrekt funktionieren, finden Sie nachstehend einige mögliche Ursachen sowie die jeweiligen Lösungen.

Schweißgerät funktioniert nicht.

- Kein guter Kontakt zwischen Masseklemme und Werkstück.
- Elektrode sitzt nicht richtig im Halter
- Thermoschutz hat angesprochen.
- Wärmesteuerung ausgeschaltet oder Wärmeschutz defekt.
- Kabelbruch.
- Defekter Schalter/setzen Sie sich mit Ihrem Händler in Verbindung.

Elektrode „klebt“ am Werkstück.

Passenden Elektrodentyp verwenden (Universalelektrode).

- Zu geringe Stromstärke/Schalter 3 im Uhrzeigersinn verdrehen.

Elektrode wird orange-rot.

- Zu hohe Stromstärke für den verwendeten Elektrodentyp/Schalter 3 gegen den Uhrzeigersinn verdrehen.

Elektrode spritzt übermäßig viel und erzeugt während des Schweißens.

- Zu hohe Stromstärke/Schalter 3 gegen den Uhrzeigersinn verdrehen.



Lassen Sie Ihre Maschine nur von einem qualifizierten Fachmann oder einer qualifizierten Reparaturwerkstatt warten und reparieren.

Reinigen

- Stellen Sie sicher, dass die Lüftungsschlitze staub- und schmutzfrei sind. Verwenden Sie bei hartnäckigen Verschmutzungen ein mit Seifenwasser angefeuchtetes weiches Tuch. Verwenden Sie keine Lösungsmittel wie Benzin, Alkohol, Ammoniak usw.
- Sorgen Sie dafür, dass der Elektrodenhalter und die Masseklemme korrosionsfrei bleiben, sodass immer ein guter Kontakt hergestellt werden kann.
- Überprüfen Sie regelmäßig, ob die Schweiß- und Werkstückkabel fest in den Anschlüssen sitzen.

Schmieren

Die Maschine braucht keine zusätzliche Schmierung.

Störungen

Sollte beispielsweise nach Abnutzung eines Teils ein Fehler auftreten, dann setzen Sie sich bitte mit der auf der Garantiekarte angegebenen Serviceadresse in Verbindung.

Im hinteren Teil dieser Anleitung befindet sich eine ausführliche Übersicht über die Teile, die bestellt werden können.

Umwelt

Um Transportschäden zu verhindern, wird die Maschine in einer soliden Verpackung geliefert. Die Verpackung besteht weitgehend aus verwertbarem Material.

Benutzen Sie also die Möglichkeit zum Recyclen

der Verpackung.



Schadhafte und/oder entsorgte elektrische oder elektronische Geräte müssen an den dafür vorgesehenen Recycling-Stellen abgegeben werden.

Nur für EG-Länder

Entsorgen Sie Elektrowerkzeuge nicht über den Hausmüll. Entsprechend der Europäischen Richtlinie 2012/19/EU für Elektro- und Elektronikschrott sowie der Einführung in das nationale Recht müssen Elektrowerkzeuge, die nicht mehr im Gebrauch sind, getrennt gesammelt und umweltfreundlich entsorgt werden.

Garantie

Lesen Sie die Garantiebedingungen auf der separat beigefügten Garantiekarte.

ELEKTRISCH LASAPPARAAT 55 - 160A

De nummers in de nu volgende tekst verwijzen naar de afbeeldingen op pagina 2 + 109



Voor uw eigen veiligheid en die van anderen raden wij u aan deze gebruikershandleiding zorgvuldig door te lezen, voordat u deze machine in gebruik neemt. Bewaar deze gebruikershandleiding en de overige documentatie bij de machine.

Introductie

Bij de smeltlasprocessen wordt het werkstukmateriaal tot smelten gebracht onder invloed van toegevoerde warmte. Bij het elektrisch booglassen wordt bovendien gebruik gemaakt van lastoevoegmateriaal (elektrode). Na het stollen komt de las tot stand.

De benodigde warmte wordt verkregen door het onderhouden van een elektrische boog tussen elektrode en werkstuk. Voor het lasproces is een hoge stroom nodig (55-160 A) met een relatief lage spanning (10-48 V). Een transformator in het lasapparaat zorgt ervoor dat de netspanning (400 V) wordt verlaagd.

Het apparaat is niet geschikt voor bedrijfsmatig gebruik!

Inhoudsopgave:

1. Technische informatie
2. Veiligheidsvoorschriften
3. Montage accessoires
4. Bediening
5. Service & Onderhoud

1. Technische informatie

Machinegegevens

Voltage	230 / 400 V ~
Frequentie	50 Hz
Lasvermogen	55 / 140 A (230 V) / 160 A (400 V)
Onbelast voltage	48 V / 230 V
Vermogensfactor	0.62
Elektrodediameter	2 - 4 mm
Gewicht	22.1 kg
Afmetingen	56 x 32.5 x 40 cm
Thermische bescherming	105 °C (±5 °C)
Netsnoer	HO7RN-F 3x1.5 mm ² 2m
Laskabel	HO1N2-D 1x16 mm ² 2m

Inhoud van de verpakking

- 1 Lasapparaat
- 1 Laskap
- 1 Staalborstel / bikhamer
- 1 Gebruikershandleiding
- 1 Veiligheidsinstructies
- 1 Garantiekaart

Controleer de machine, losse onderdelen en accessoires op transportschade.

Kenmerken

Fig. 1 & Fig. 2

1. Indicatielampje temperatuur
2. Aan/uit-schakelaar
3. Draaiknop instelling stroomsterkte
4. Laskabel met elektrodehouder
5. Massakabel met werkstukkleem
6. Rubber dop
7. Handvat
8. Ventilatiesleuven
9. Staalborstel / bikhamer
10. Laskap
11. Elektrodes

Tabel: instellen en gebruik

Ø Electrode (mm)	Stroomsterkte (A)	Geschikt voor o.a.:
2	50-75	Materiaaldikte 2-3 mm Reparatie wandstelling
2.5	70-100	Materiaaldikte 4-5 mm Tuinhek, speeltoestel
3.2	95-150	Materiaaldikte 6-7 mm Carport, garage
4	130-160	Materiaaldikte 8-12 mm Constructie (zwaar)



Houd omstanders op afstand.



Beschermen tegen regen.



Draag oog- en gehoorbescherming.



Draag veiligheidshandschoenen.



Draag een laskap tijdens het lassen



Draag beschermende kleding

EN60974-6 Norm voor lastoestellen voor booglassen met de hand voor beperkt bedrijf.

EMC classificatie in overeenstemming met IEC 60974-10



Electrode holder



Massaklem



Dalende spanning



Eén-fase transformator



Voedingsschakeling, 1 of 3 fasen ~50 Hz



Elektrodediameter



Zekering 16A



Maximale primaire stroomsterkte in Ampère



Secundaire stroomsterkte in Ampère

2. Veiligheidsvoorschriften



Let op! Lees de instructiehandleiding.

Uitleg van de symbolen



Gevaar voor lichamelijk letsel of materiele schade wanneer de instructies in deze handleiding niet worden opgevolgd.



Gevaar voor elektrische schok.



Verwijder onmiddellijk de stekker uit het stopcontact bij beschadiging van het snoer en tijdens onderhoudswerkzaamheden.

— — — *Nominale maximale lastijd onderbroken*

— *Nominale maximale lastijd continu*

IP21S *Beschermingsklasse. Dicht voor voorwerpen tot 12 mm en tegen loodrecht vallen druiwater. Stilstand bij watercontrole.*

H *Isolatieklasse*

U₀ *Nominale spanning onbelast*

U₁ *Nominale voedingsspanning*

U₂ *Waarden van de conventionele belastingsspanning*

I_{eff} *Maximale effectieve voedingsstroom*

Algemene veiligheidsvoorschriften voor lasapparaten

- De gebruiker van de machine dient te zijn geïnstrueerd in het gebruik, afstellen en bedienen van de machine.
- Zorg voor een goed verlichte en opgeruimde werkomgeving.
- Haal altijd de stekker uit het stopcontact als u onderhoud pleegt aan de machine.
- Wanneer u de machine verlaat, neem de stekker uit het stopcontact.
- Gebruik de machine niet voordat u de machine compleet heeft gemonteerd en geïnstalleerd zoals de handleiding voorschrijft. Specifieke veiligheidsvoorschriften voor lasapparaten
- Tijdens het lassen komen vonken en hete metalen vrij. Denk om brandgevaar, verwijder alle brandbare voorwerpen uit de werkomgeving.
- Zorg voor goede ventilatie van de werkomgeving. Bij het lassen komen gassen vrij die een gevaar zijn voor uw gezondheid.
- Las niet op containers of buizen die brandbare vloeistoffen of gassen bevatten of hebben bevat (gevaar voor brand of explosies).
- Las niet op materialen die zijn schoongemaakt met licht ontvlambare vloeistoffen of op geleverde oppervlakken (kans op vrijkomende gevaarlijke gassen).
- Werk niet in een vochtige of natte omgeving en las niet in de regen.
- Bescherm altijd uw ogen met de bijgeleverde laskap.
- Gebruik handschoenen en beschermende kleding die droog zijn en niet gedrenkt zijn met olie of vuil.
- De af te pikken slak is soms gloeiend heet en kan lelijke oogverwondingen veroorzaken tijdens het verwijderen. Draag altijd een veiligheidsbril en handschoenen.
- Tijdens het lassen kan de ultraviolette straling uw huid verbranden. Zorg dus voor de juiste beschermende kleding.
- Uw lasapparaat is beveiligd tegen overbelasting. Dus wordt het lasapparaat bij overbelasting automatisch uitgeschakeld. Na voldoende te zijn afgekoeld schakelt het lasapparaat zich automatisch weer in.
- Tijdens het lassen en afkoelen kan uw werkstuk door spanningen vervormen. Houd daar rekening mee.
- Alleen de meegeleverde laskabels mogen gebruikt worden (rubberen laskabels, Ø 10 mm²).
- In ruimtes met brand- en explosiegevaar gelden bijzondere voorschriften.
- Lasverbindingen die aan grote belastingen zijn blootgesteld en aan specifieke veiligheidseisen moeten voldoen, mogen alleen door speciaal opgeleide en gediplomeerde lassers worden uitgevoerd. Voorbeelden zijn: drukketels, looprails, trekhaken enz.
- **Attentie!** Sluit de massaklem altijd zo dicht mogelijk bij de lasplek aan, zodat de lasstroom de kortst mogelijke weg van de elektrode naar de massaklem kan volgen. Verbind de massaklem nooit met de buitenkant van het lasapparaat! Sluit de massaklem nooit op geaarde voorwerpen aan die ver van het werkstuk verwijderd zijn, zoals bijvoorbeeld een waterleiding in een andere hoek van de ruimte. Anders kunnen beschadigingen ontstaan aan de aardleiding in de ruimte waarin u last.
- De beveiliging van de toevoerleidingen naar de stopcontacten moet aan de voorschriften voldoen (VDE 0100). Stopcontacten mogen met hoogstens 16A gezekeerd worden door middel van stoppen of automaten. (Types en technische gegevens: RT14-20, Ø 10 x 38, 400 V 16A wisselstroom. IEC 60269. Trage werking. Fabrikant: Chint.) Hogere zekeringen kunnen brand in de leidingen en brandschade aan het gebouw tot gevolg hebben.

Elektrische veiligheid



Zet het apparaat onmiddellijk uit bij:
Storing in de netstekker, netsnoer of
snoerbeschadiging.

- schakelaar.
- Rook of stank van verschroeide isolatie.



Waarschuwing! Afhankelijk van de
aanwezige netspanning op het
aansluitpunt kan de lasstroombron
storingen veroorzaken in de voeding naar
andere elektrische verbruikers. Indien u
hierover twijfelt, dient u uw
elektriciteitsleverancier te raadplegen.

- Let erop dat de verbinding van lasapparaat en lichtnet in orde zijn. Elke kans op een elektrische schok kan levensbedreigend zijn.
- Draag zorg voor goede verbindingen, zowel voor elektrodehouder als voor de massaklem.
- Voorkom het kapot trekken van de elektrische kabels. Maak ze eerst los voordat u het lasapparaat verplaatst.
- Vermijd contact met het elektrisch geleidende deel van het lasapparaat, de elektrodehouder en de massaklem.
- Controleer altijd of uw netspanning overeenkomt met de waarde op het typeplaatje van de machine.
- Bij vervanging van snoeren of stekkers: Gooi oude snoeren of stekkers direct weg zodra ze door nieuwe exemplaren zijn vervangen. Het is gevaarlijk om de stekker van een los snoer in het stopcontact te steken.
- Gebruik voor alle lasapparaten op 230 Volt minimaal 16 Ampère zekeringen
- Bij gebruik van verlengsnoeren: Gebruik uitsluitend een goedgekeurd verlengsnoer, dat geschikt is voor het vermogen van de machine. De aders moeten een doorsnede hebben van minimaal 1.5 mm². Wanneer het verlengsnoer op een haspel zit, rol het snoer dan helemaal af.
- Werk aan het netspanningsgedeelte – bijvoorbeeld aan kabels, stekkers, stopcontacten e.d. – mag alleen door een elektrotechnicus uitgevoerd worden.

3. Montage accessoires



Zorg ervoor dat tijdens het monteren van
accessoires de stekker uit het stopcontact
verwijderd is.

Plaatsen van de machine

- Plaats het lasapparaat in een droge en schone ruimte (vrij van ijzerpoeder, stof en verf).
- Plaats het lasapparaat op een stevige en vlakke ondergrond en minimaal 20 cm vanaf de muur.
- Bescherm het lasapparaat tegen regen en felle zon.

De laskap

Fig. 2

- Bevestig het lasmasker door de handgreep vast te schroeven met de meegeleverde schroeven.
- Plaats het lichte glaasje (beschermingsglaasje) vóór het donkere lasglaasje. Plaats de glazen in het scherm en vergrendel ze.
- Zorg ervoor dat de glaasjes zo geplaatst worden, dat er geen (schadelijk) licht meer via de opening kan binnendringen.
- Vervang het lichte beschermingsglaasje, wanneer het zicht op het werkstuk tijdens het lassen onvoldoende wordt. Vervangen van het donkere lasglas is aanzienlijk duurder dan vervangen van het lichte beschermglas

Plaatsen nieuwe elektrode

De elektrode bestaat uit een metalen kern met daaromheen de bekleding. Aan één uiteinde van de elektrode is de kern niet bedekt met bekleding.

- Knijp de handgreep van de elektrodehouder tegen veerdruk in.
- Plaats een elektrode met het niet-beklede uiteinde (± 2 cm) in de elektrodehouder. Zorg ervoor dat het niet-beklede deel goed contact maakt met het metalen gedeelte van de elektrodehouder (elektrode niet te ver in elektrodehouder steken).
- Ontspan de hendel van handgreep. De elektrode zit nu vast.



Let op! Laat de elektrode niet opbranden tot lengtes korter dan ± 5 cm in verband met oververhitting en/of vervormen van de elektrodehouder. De opgebrande elektrode zal vervolgens moeilijk te verwijderen zijn.

Verwijderen opgebruikte elektrode

Knijp de handgreep van de elektrodehouder tegen de veerdruk in, zodat de opgebrande elektrode uit de houder kan vallen.



Let op! Pak de elektrode niet met de hand uit de houder. De elektrode is zeer heet!



Let op! Kijk uit waar het elektrode afval terecht komt in verband met brandgevaar en mogelijke verwonding.



Waarschuwing: Lees de instructie-handleiding voordat u dit apparaat gebruikt of er onderhoud aan uitvoert.

Installatie

Fig. 4

De beginstand van de schakelaar (2) is "OFF (UIT)". De machine heeft 2 stekkers en kan worden gebruikt met 230V of 400V.

- Met de VDE stekker kan het apparaat alleen worden gebruikt in de 230V stand. Om het lasapparaat op 230V te bedienen steekt u de VDE stekker in een 230V voeding en draait u de schakelaar (2) van de "OFF (UIT)" stand naar de 230V stand.
- Met de 5-polige krachtstroom stekker kan het apparaat alleen met 400V worden gebruikt. Steek de krachtstroom stekker in een 400V voeding en draai de schakelaar (2) van de "OFF (UIT)" stand naar de 400V stand.

Houdt a.u.b. het volgende in acht om het risico op brand, elektrische schokken of persoonlijk letsel te voorkomen:

- 1 Controleer a.u.b. voordat u het lasapparaat gebruikt dat de nominale spanning van het apparaat overeenkomt met de nominale spanning van de voedingsbron.
- 2 Trek a.u.b. de stekker uit het stopcontact voordat u de nominale spanning instelt.
- 3 Het is verboden om de nominale spanning van het lasapparaat tijdens gebruik te veranderen.

4. Bediening

Voor ingebruikname:

- a. Algemene informatie over elektrisch lassen
- b. De elektrode
- c. Beschermende kleding
- d. Gelaatbescherming
- e. Werkomgeving

a. Algemene informatie over elektrisch lassen

De temperatuur van de vlamboog bedraagt ca. 7000° Celsius, waardoor het einde van de elektrode en het werkstuk tot smelten worden gebracht. Zolang de vlamboog in stand wordt gehouden, zal de elektrode wegsmelten en het benodigde toevoermateriaal leveren voor de te verbinden delen.

De afstand tussen de elektrode en het werkstuk moet zo kort mogelijk zijn (ca. 1,5 - 4 mm) afhankelijk van de diameter en soort elektrode. De benodigde stroom voor het lassen wordt geleverd door een lasapparaat. De benodigde capaciteit van het lasapparaat is afhankelijk van het te verrichten werk. Zorg dat de elektroden goed droog zijn, vochtige elektroden geven problemen. Wanneer de elektrode tijdens het lassen aan het werkstuk kleef, is uw stroomsterkte-instelling te laag.

b. De elektrode

- De elektrode bestaat uit een ijzeren kern met daaromheen de bekleding. De bekleding heeft als belangrijkste doel het smeltbad en de overgaande druppels te beschermen tegen zuurstof en stikstof uit de omringende lucht. Tijdens het lassen smelt de elektrode af. Een gedeelte van de bekleding verdampt, waardoor een beschermende gasmantel ontstaat. Een gedeelte van de bekleding drijft op het smeltbad (het is lichter dan staal) en beschermt ook dan de afkoelende las. Na afkoeling bevindt deze bekleding zich als een vaste, doch gemakkelijk te verwijderen slak op de lasrups.
- Behandel de elektroden voorzichtig, zodat de bekleding niet kapot gaat. Zorg dat de elektroden goed droog zijn, dus vochtvrij bewaren.
- Om een goede en sterke lasverbinding te maken is het van groot belang de juiste elektrode te gebruiken. Een universele elektrode zal in veel gevallen geschikt voor uw werkzaamheden zijn.
- Op de verpakking van de elektroden is vermeld in welke standen gelast kan worden met betreffende elektroden (boven het hoofd, neergaand, onder de hand enz.). Voor het lassen van roestvrije staalsoorten en gietijzer zijn aparte elektroden in de handel. Raadpleeg uw handelaar voor het aanschaffen van de juiste elektrode.

c. Beschermende kleding

Draag goed afsluitende kleding, zodat de kans op huidverbranding door vrijkomende ultraviolette straling en opspattende metaalspetters wordt geminimaliseerd.

Draag bij voorkeur een katoenen overall, lashandschoenen en veiligheidsschoenen. Zorg ervoor dat lasspetters niet in handschoen of schoen kunnen terechtkomen. Een (leren)

lasschort voorkomt inbranden van vonken in de overall.

d. Gelaatbescherming

Fig. 2

Gebruik een goede laskap met (donker) lasglas en een beschermglas. Controleer of beide glasjes correct zijn gemonteerd (goede bevestiging en geen zonlicht doorlatend). De laskap beschermt de lasser tegen straling, hitte en lassetters welke vrijkomen tijdens het lasproces. Bovendien wordt het inademen van lasrook gereduceerd. De onzichtbare ultraviolette stralen veroorzaken de zogenaamde "lasogen". Deze ontstaan al nadat er enkele seconden in de lichtboog is gekeken. Vermijd de inwerking van deze straling en de hoge temperaturen op het gelaat en andere blote lichaamsdelen zoals hals en armen. Bescherm u tegen de gevaarlijke uitwerking van de lasvlam en houd personen die niet aan het werk deelnemen op minstens 15 meter afstand. Ook personen die zich in de buurt van de lasvlam bevinden en helpers moeten op de gevaren worden gewezen en voorzien van de nodige bescherming. Stel zo nodig beschermingswanden op.

e. Werkomgeving

- Zorg voor een goed geventileerde werkomgeving. Bij het lassen komen gassen vrij die een gevaar zijn voor uw gezondheid.
- Verwijder alle brandbare voorwerpen uit de werkomgeving. Tijdens het lassen komen vonken en hete metalen vrij.
- Zorg ervoor dat koelwater aanwezig is in de nabijheid van de werkplek. Laat zojuist gelaste (hete) werkstukken niet onbeheerd achter in de werkplaats. Koel het werkstuk af, alvorens de werkplaats te verlaten.

Bescherming tegen straling en brandwonden

- Op de werkplek moet door het opschrift "Voorzichtig! Niet in de lasvlam kijken!" op het gevaar voor de ogen worden gewezen. Indien mogelijk moeten de werkplaatsen zo afgeschermd worden, dat in de buurt zijnde personen geen gevaar lopen. Onbevoegden moeten van de laswerkzaamheden worden weggehouden.
- Muren in de onmiddellijke nabijheid van vaste werkplekken mogen niet helder gekleurd of glimmend zijn. Ramen moeten minstens tot op hoofdhoogte tegen het doorlaten en terugkaatsen van straling worden beveiligd,

bijvoorbeeld met een geschikte verflaag.

Ingebruikname

Fig. 3

Tip: Voordat u moeilijke werkstukken gaat lassen kunt u beter eerst oefenen op een proefstukje.

- Zorg voor een schoon werkstuk: verwijder eventueel roest, vet en verfresten.
- Stel de gewenste stroomsterkte in met behulp van de draaiknop aan de voorzijde van het lasapparaat. De keuze van de stroomsterkte hangt af van het werkstuk en het type elektrode dat wordt gebruikt.
- Plaats het deel van de elektrode zonder bekleding in de elektrodehouder en verbind de massaklem met het werkstuk.
- Zet het lasapparaat aan met de hoofdschakelaar.
- Houd de laskap voor uw gezicht en strijk de elektrodepunt over het werkstuk alsof u een lucifer aansteekt. Dit is de beste manier om de lasboog te starten. Sla de elektrode niet tegen het werkstuk. Dit zal de elektrode beschadigen en het starten van de lasboog bemoeilijken.
- Probeer onmiddellijk nadat de lasboog start de afstand tussen elektrodepunt en werkstuk gelijk te houden. Deze afstand gelijk houden aan de diameter van de elektrode. Bewaar deze afstand zo constant mogelijk tijdens het lassen.
- Beweeg de elektrode in een slepende beweging langzaam over het werkstuk.
- Houd de hoek tussen elektrode en werkstuk tussen 60° en 70° in de beweegrichting.
- Wanneer de lasverbinding gereed is, verbreek dan de lasboog door de elektrode van het werkstuk te verwijderen.
- Schakel het lasapparaat uit.



Let op. Wanneer u het lasapparaat aan laat staan, is de kans groot dat de elektrode contact maakt (via werkbank) met de massakabel en spontaan begint te lassen.

- Verwijder de slak van de lasverbinding met de bikhamer.

Kijk uit voor wegvliegende hete metaaldeeltjes. Draag altijd een veiligheidsbril.

- Las nooit over slakresten heen: de slak vormt een isolerende en verontreinigde laag en

- hierdoor verzwakt de las (zgn. slakinsluiting).
- Borstel de las schoon met behulp van de staalborstel.



Let op. Het werkstuk heeft nog steeds een zeer hoge temperatuur. Laat het hete werkstuk niet onbeheerd achter.

Indicatielampje temperatuur

Fig. 1

Wanneer de temperatuur van het lasapparaat te hoog wordt, zal de ingebouwde thermostaat uitschakelen (indicatielampje gaat branden). De ingebouwde ventilator koelt de machine. Na afkoeling zal het lampje weer uitgaan. Laat de machine bij voorkeur voldoende tijd afkoelen; bij intensief lassen is de kans groot dat de thermische beveiliging anders na enkele minuten opnieuw in werking treedt.

5. Service en onderhoud



Zorg dat de machine niet onder spanning staat wanneer onderhoudswerkzaamheden aan het mechaniek worden uitgevoerd.

Dit apparaat is ontworpen om gedurende lange tijd probleemloos te functioneren met een minimum aan onderhoud. Door het apparaat regelmatig te reinigen en op de juiste wijze te behandelen, draagt u bij aan een hoge levensduur van uw machine.

Storingen

In het geval het apparaat niet naar behoren functioneert, geven wij onderstaand een aantal mogelijke oorzaken en de bijbehorende oplossingen:

Het lasapparaat functioneert niet

- Massaklem heeft geen goed contact met het werkstuk
- Elektrode zit niet correct in houder
- Thermische beveiliging uit, of thermische beveiliging defect.
- Smeltzekering defect (in meterkast)
- Het snoer is onderbroken
- De schakelaar is defect / neem contact op met uw dealer

Elektrode blijft 'plakken' aan werkstuk

- Gebruik juiste type elektrode (universeel)
- Stroomsterkte te laag / verdraai knop 3 met de

wijzers van de klok mee

Elektrode wordt oranje-rood

- Stroomsterkte te hoog voor dit type elektrode / verdraai knop 3 tegen de wijzers van de klok in

Elektrode spettert overmatig en maakt veel lawaai tijdens lassen

- Stroomsterkte te hoog / verdraai knop 3 tegen de wijzers van de klok in

De machine wordt overmatig warm; indicatielampje brandt

- De ventilatiesleuven zijn verstopt / maak ze schoon met een droge doek; wacht enkele minuten tot lampje weer uitgaat.



Laat reparaties altijd uitvoeren door een erkend installateur of reparatiebedrijf.

Reinigen

- Zorg dat de ventilatiesleuven vrij van stof en vuil zijn. Gebruik bij hardnekkig vuil een zachte doek bevochtigd met zeepwater. Gebruik geen oplosmiddelen als benzine, alcohol, ammonia, etc.
- Zorg dat de elektrodehouder en aardklem corrosievrij blijven zodat ze een goed elektrisch contact kunnen blijven maken.
- Controleer regelmatig of las- en werkstuklabels goed vastzitten in de aansluitingen.

Smeren

De machine heeft geen extra smering nodig.

Storingen

Wanneer er zich een storing voordoet, bijvoorbeeld bij slijtage van een onderdeel, neem dan contact op met het onderhoudsadres op de garantiekaart. Achter in deze handleiding ziet u een opengewerkte afbeelding van de onderdelen die besteld kunnen worden.

Milieu

Om transportbeschadiging te voorkomen, wordt de machine in een stevige verpakking geleverd. De verpakking is zo veel mogelijk gemaakt van recyclebaar materiaal. Maak daarom gebruik van de mogelijkheid om de verpakking te recyclen.



Defecte en/of afgedankte elektrische of elektronische gereedschappen dienen ter verwerking te worden aangeboden aan een daarvoor verantwoordelijke instantie.

Uitsluitend voor EG-landen

Werp elektrisch gereedschap niet weg bij het huisvuil. Volgens de Europese Richtlijn 2012/19/EU voor Afgedankte Elektrische en Elektronische Apparatuur en de implementatie ervan in nationaal recht moet niet langer te gebruiken elektrisch gereedschap gescheiden worden verzameld en op een milieuvriendelijke wijze worden verwerkt.

Garantie

Lees voor de garantievoorwaarden de apart bijgevoegde garantiekaart.

POSTE À SOUDER L'ARC 55 - 160A

Les numéros dans le texte suivant réfèrent aux illustrations des pages 2 + 109



Pour votre propre sécurité, et celles des autres, nous vous recommandons de lire ce mode d'emploi avec attention avant de commencer à utiliser l'appareil. Conservez mode d'emploi et documentation à proximité de l'appareil.

Introduction

Lors du soudage par fusion, l'apport de chaleur fait fondre partiellement le matériau de la pièce à travailler. Lors du soudage à l'arc électrique, un matériau d'apport (électrodes) est utilisé en plus. La soudure se forme lors de la solidification. Pour obtenir la chaleur nécessaire, un arc électrique est maintenu entre l'électrode et la pièce à travailler. Le procédé de soudure exige un courant fort (55-160 A) au voltage relativement faible (10-48 V). Un transformateur à l'intérieur de la machine à souder abaisse la tension du courant réseau (400 V).

L'appareil n'est pas prévu pour une utilisation industrielle!

Contenu

1. Données de l'appareil
2. Instructions de sécurité
3. Montage des accessoires
4. Utilisation
5. Service & entretien

1. Données de l'appareil

Spécifications techniques

Tension	230 / 400 V ~
Fréquence	50 Hz
Puissance de soudure	55 / 140 A (230 V) / 160 A (400 V)
Tension à vide	48 V / 230 V
Facteur de puissance	0.62
Diamètre des électrodes	2 - 4 mm
Poids	22.1 kg
Dimensions	56 x 32.5 x 40 cm
Protection thermique	105 °C (±5 °C)
Cordon d'alimentation	HO7RN-F 3x1.5 mm ² 2m
Câbles de soudure	HO1N2-D 1x16 mm ² 2m

Contenu de l'emballage

- 1 Machine à souder
- 1 Masque de soudure
- 1 Brosse métallique / picot

- 1 Mode d'emploi
- 1 Instructions de sécurité
- 1 Carte de garantie

Vérifiez si la machine, les pièces détachées et les accessoires n'ont pas été endommagés au transport.

Caractéristiques du produit

Fig. 1 & Fig. 2

- 1. Témoin lumineux de la température
- 2. Interrupteur marche/arrêt
- 3. Bouton de réglage de l'ampérage
- 4. Câble de soudage avec porte-électrode
- 5. Câble de terre avec pince
- 6. Pied en caoutchouc
- 7. Poignée
- 8. Ouvertures de ventilation
- 9. Brosse métallique / picot
- 10. Masque de soudure
- 11. Électrodes

Tableau: réglage et utilisation

Ø Électrode (mm)	Ampérage (A)	S'utilise pour, entre autres:
2	50-75	Épaisseur du matériau 2-3 mm Réparation de rayonnages métalliques
2.5	70-100	Épaisseur du matériau 4-5 mm Portail, équipement de jardin
3.2	95-150	Épaisseur du matériau 6-7 mm Abri, garage
4	130-160	Épaisseur du matériau 8-12 mm Construction lourde

2. Instructions de sécurité



Attention ! Lisez le manuel d'instructions.

Explication des symboles



Indique un risque de blessures, un danger mortel ou un risque d'endommagement de l'outil en cas du non-respect des consignes de ce mode d'emploi.



Indique un risque de décharges électriques.



Débranchez immédiatement la fiche de l'approvisionnement électrique principal dans le cas où la corde est endommagée et pendant la maintenance.



Ne laissez aucune personne s'approcher de la zone de travail.



N'exposez pas sous la pluie



Protégez-vous les yeux et les oreilles.



Portez des gants de protection.



Portez toujours un masque pendant le soudage



Portez des vêtements de protection

EN60974-6 Norme pour machines à souder pour la soudure à l'arc manuelle à usage limité.

Classification CEM selon la norme CEI 60974-10



Porte-électrode



Mise à la terre



Tension en baisse



Transformateur monophasé



Circuit d'alimentation, phases 1 ou 3 ~ 50 Hz



Diamètre de l'électrode



Fusible 16A



Ampérage primaire maximum



Ampérage secondaire maximum



Durée de soudage maximum estimée en intermittence

— *Durée de soudage maximum estimée en mode continu*

IP21S *Classe de protection. Impénétrable aux objets de plus de 12 mm et à l'eau de ruissellement tombant perpendiculairement. Arrêt contrôlé par la pénétration d'eau.*

H *Classe d'isolation*

U₀ *Tension nominale à vide*

U₁ *Tension d'alimentation nominale*

U₂ Valeurs de la tension de charge conventionnelle

I_{eff} Courant d'alimentation effectif maximal

Instructions de sécurité générales pour les machines à souder

- L'utilisateur doit avoir reçu les instructions nécessaires pour le réglage et l'utilisation de l'appareil.
 - Le lieu de travail doit être bien rangé et bien éclairé.
 - Avant tout entretien de l'appareil, retirez la fiche de la prise.
 - Retirez la fiche de la prise quand vous vous éloignez de l'appareil.
 - Ne commencez pas à utiliser l'appareil avant de l'avoir entièrement monté et installé selon les instructions du mode d'emploi.
- Instructions de sécurité spéciales pour machines à souder
- La soudure s'accompagne d'étincelles et de métaux échauffés. N'oubliez pas le danger d'incendie, et enlevez tout objet ou matériau inflammable du lieu de travail.
 - Ventilez suffisamment votre lieu de travail. La soudure libère des gaz nocifs pour votre santé.
 - Ne faites pas de soudure sur des récipients ou des tuyaux contenant ou ayant contenu des liquides ou gaz inflammables (danger d'incendie ou d'explosion).
 - Ne faites pas de soudure sur des matériaux ayant été nettoyés avec des solvants hautement inflammables, ni sur des surfaces peintes (danger de libération de gaz nocifs).
 - Ne travaillez pas dans un environnement humide ou mouillé et ne faites pas de soudures sous la pluie.
 - Protégez toujours vos yeux au moyen du masque de soudure fourni.
 - Protégez-vous toujours avec des gants et des vêtements de protection, qui doivent être secs et non souillés d'huile ou autre salissures.
 - Les scories à faire sauter sont souvent chauffées au rouge et peuvent causer des blessures graves aux yeux. Portez toujours des lunettes de protection et des gants.
 - Les rayons ultraviolets peuvent causer des brûlures pendant le soudage. Portez donc toujours des vêtements de protection appropriés.
 - Votre machine à souder est équipée d'une protection anti-surcharge. La machine à souder s'arrête donc automatiquement en cas de surcharge. La machine à souder se remet en marche automatiquement une fois qu'elle s'est suffisamment refroidie.
 - La pièce que vous travaillez peut se déformer sous l'effet du soudage et du refroidissement. Tenez-en compte.
 - Seuls les câbles de soudage fournis doivent être utilisés (câbles de soudage en caoutchouc d'une section de Ø 10 mm²)
 - Dans des locaux exposés au feu ou aux explosions, les prescriptions particulières s'appliquent.
 - Les assemblages par soudure, soumis à d'importantes contraintes et devant satisfaire aux exigences de sécurité établies, doivent être réalisés uniquement par des soudeurs habilités et spécialisés. A titre d'exemple: récipient d'air comprimé, rails de roulement, dispositifs d'attelage, etc.
 - Attention : Connectez les bornes de mise à la masse aussi près que possible des soudures afin que le courant de soudage emprunte le chemin le plus court possible entre les électrodes et les bornes de mise à la masse. Ne reliez jamais les bornes de mise à la masse au boîtier du poste de soudure ! Ne reliez jamais les bornes de mise à la masse à des éléments mis à la terre, éloignés de la pièce à travailler, comme par ex. une conduite d'eau dans un autre coin de la pièce. Cela pourrait conduire à une détérioration du conducteur de protection de la pièce dans laquelle vous soudez.
 - La protection par fusibles des câbles d'alimentation des prises secteur doit être conforme aux spécifications (VDE 0100). Les prises de courant de sécurité doivent être protégées par fusible avec 16 A max. (types et données techniques: RT14-20, Ø 10 x 38, AC

400 V 16A ; norme CIE 60269 ; fusibles retardés ; fabricant : Chint) (fusibles ou disjoncteur). Des protections par fusibles plus importantes pourraient conduire à un incendie des conduites voire du bâtiment.

- Les travaux relatifs à la tension du secteur comme par ex. les câbles, connecteurs, prises de courant, etc. doivent être effectués exclusivement par des électriciens spécialisés.

Électricité et sécurité



Arrêtez immédiatement la machine dans les cas suivants:

- Problème au niveau de la fiche ou du câble d'alimentation, ou câble endommagé.
- Interrupteur défectueux.
- Dégagement de fumée ou odeur de matériau d'isolation brûlé.



Attention! Suivant l'état du réseau d'alimentation au point de branchement du bloc d'alimentation électrique de la soudeuse, il peut déranger l'alimentation en électricité d'autres utilisateurs du réseau. En cas de doute sur ce sujet, consultez les responsables de l'alimentation électrique.

- Assurez-vous que la machine à souder est correctement raccordée au réseau. Tout risque de choc électrique est un risque de mort.
- Assurez-vous toujours du bon état des connexions, tant pour le porte-électrode que pour le câble de terre.
- Évitez d'endommager les câbles électriques en tirant dessus. Déconnectez toujours les câbles avant de déplacer la machine à souder.
- Ne touchez pas la partie conductrice d'électricité de la machine à souder, ni le porte-électrode, ni la fiche de terre.
- Contrôlez toujours que la tension de votre réseau est la même que celle qui est indiquée sur la plaquette de l'appareil.
- Lors du remplacement de câbles ou de fiches: Jetez les câbles et fiches usagés dès qu'ils ont été remplacés. Il est dangereux de brancher la fiche d'un câble détaché.
- Pour toute machine à souder alimentée en 230 V, utilisez des fusibles d'au moins 16 Ampère.
- Lors de l'utilisation de câbles de rallonge: Utilisez uniquement un câble électrique de rallonge correspondant à la puissance de l'appareil. Le diamètre du conducteur doit être d'au moins 1.5 mm². Si la rallonge est sur un dévidoir, déroulez-la entièrement.

3. Montage des accessoires



Assurez-vous que la fiche est débranchée pendant le montage d'accessoires.

Installation de l'appareil

- Installez la machine à souder dans un espace sec et propre (sans limaille de fer, poussière ni peinture).
- Posez la machine à souder sur une surface solide et plane, et à au moins 20 cm du mur.
- Abritez la machine à souder de la pluie et du soleil violent.

Le masque à souder

Fig. 2

- Assemblez le masque de soudage en fixant la poignée avec les vis fournies.
- Placez le verre clair (verre de protection) devant le verre de soudage teinté. Placez les verres à l'intérieur de la fenêtre et fixez-les.
- Assurez-vous que les verres sont correctement placés, de sorte qu'aucune lumière nocive ne peut plus pénétrer par l'ouverture.
- Si la visibilité de la pièce que vous travaillez diminue trop pendant le travail, remplacez le verre de protection clair. Il est beaucoup moins coûteux de remplacer le verre de protection clair, que le verre de soudage teinté.

Montage d'électrodes neuves

L'électrode se compose d'un conducteur métallique avec un revêtement. À un bout de l'électrode, le conducteur n'est pas revêtu.

- Serrez la poignée du porte-électrode, comprimant le ressort.
- Fixez une électrode dans le porte-électrode, par le bout (± 2 cm) non revêtu. Contrôlez que le bout non revêtu est correctement en contact avec la partie métallique du porte-électrode (l'électrode n'est pas enfoncée trop loin dans le porte-électrode).
- Relâchez la poignée du porte-électrode. L'électrode est maintenant montée.



Attention! Ne laissez pas l'électrode fondre jusqu'à une longueur inférieure à ± 5 cm, car vous risquez de surchauffer ou de déformer le porte-électrode. L'électrode usagée sera difficile à enlever.

Démontage d'électrodes usagées. Serrez la poignée du porte-électrode, comprimant le ressort, pour que l'électrode usagée puisse tomber du porte-électrode.



Attention! Ne retirez pas l'électrode du porte-électrode à la main. L'électrode est brûlante!



Attention! Surveillez l'endroit où tombe l'électrode usagée pour éviter tout danger d'incendie ou de blessure.



Avertissement: Lisez les manuels d'instructions avant d'utiliser ou d'entretenir cet équipement.

Installation

Fig. 4

La position initiale du switch (2) est réglée sur "OFF" (ÉTEINT)

La machine dispose de 2 prises. Elle peut être utilisée en 230 V ou 400 V.

- Avec la prise VDE, elle ne peut être utilisée qu'à 230 V. Pour faire fonctionner le poste à souder à 230 V, raccordez la prise VDE à une alimentation électrique 230 V, puis passez l'interrupteur (2) de la position "OFF" à la position 230 V.
- Avec la prise industrielle à 5 broches, elle peut être utilisée à 400 V. Raccordez la prise industrielle sur une alimentation électrique 400 V puis passez l'interrupteur (2) de la position "OFF" à la position 400 V.

Merci de respecter ce qui suit afin d'éviter le risque d'incendie, de choc électrique ou de blessure:

- 1 Assurez-vous avant d'utiliser le poste à souder que la tension nominale de l'appareil correspond à celle de la source électrique.
- 2 Veuillez débrancher l'appareil de l'alimentation électrique avant de régler la tension nominale.
- 3 Le réglage de la tension nominale pendant le fonctionnement du poste à souder est interdit.

4. Utilisation

Avant l'utilisation

- a. Informations générales sur la soudure à l'arc électrique
- b. L'électrode
- c. Vêtements de protection
- d. Protection du visage
- e. Lieu de travail

a. Informations générales sur la soudure à l'arc électrique

La température de l'arc électrique se monte à environ 7000° Celsius, ce qui fait fondre le bout de l'électrode et la pièce à travailler. Tant que l'arc est maintenu, l'électrode continue de fondre et apporte le matériau de soudage nécessaire aux parties à souder. La distance entre l'électrode et la pièce à travailler doit être la plus petite possible (environ 1.5 - 4 mm) en fonction du diamètre et du type de l'électrode. Le courant électrique nécessaire est fourni par une machine à souder. Le courant électrique consommé par la machine à souder varie en fonction du travail. Contrôlez que les électrodes sont parfaitement sèches, car les électrodes humides causent des problèmes. Si l'électrode se soude à la pièce à travailler durant le soudage, l'ampérage est trop faible.

b. L'électrode

- L'électrode se compose d'un conducteur métallique avec un revêtement. La fonction principale du revêtement est de protéger le bain de fusion, ainsi que les gouttelettes d'apport, contre l'oxygène et l'azote de l'air environnant. L'électrode fond pendant le soudage. Une partie du revêtement s'évapore, formant un manteau gazeux protecteur. Une partie du revêtement flotte sur le bain de fusion (il est plus léger que l'acier) et protège également la soudure en cours de refroidissement. Après le refroidissement, ce revêtement laisse sur la soudure une scorie solide et facile à détacher.
- Manipulez les électrodes avec précaution pour ne pas abîmer le revêtement. Assurez-vous que les électrodes sont parfaitement sèches, conservez-les donc bien à l'abri de l'humidité.
- Pour obtenir une bonne soudure solide, choisissez avec soin la bonne électrode. L'électrode universelle conviendra dans un grand nombre de cas. L'emballage de l'électrode précise dans quelles positions de travail elle peut être

utilisée (au-dessus de la tête, vers le bas, sous la main, etc, selon la vitesse à laquelle l'électrode fond). Pour le soudage des aciers inoxydables et de la fonte, il existe dans le commerce des types d'électrodes spéciales. Veuillez consulter votre fournisseur pour obtenir l'électrode appropriée.

c. Vêtements de protection

Portez des vêtements qui vous protègent complètement, pour réduire le risque de brûlures par les rayons ultraviolets ou par des éclaboussures de soudage. Portez de préférence une salopette en coton à manches longues, des gants de soudage et des chaussures de sécurité. Assurez-vous que les éclaboussures de soudage ne peuvent pas se loger à l'intérieur d'un gant ni d'une chaussure. Un tablier de soudage (en cuir) protège le vêtement contre les étincelles.

d. Protection du visage

Fig. 2

Utilisez un masque de soudure de bonne qualité, avec un verre de soudure teinté et un verre de protection. Vérifiez que les deux verres sont placés comme il faut, bien fixés et ne laissant pas passer la lumière du soleil).

Le masque de soudure protège le soudeur contre la radiation, la chaleur et les éclaboussures pendant le soudage. L'inhalation des fumées nocives du soudage est également réduite. Les rayons ultraviolets sont la cause du "coup d'arc" ou d'ophtalmie électrique. Il se produit au bout de quelques secondes quand les yeux fixent l'arc électrique. Évitez d'exposer le visage, le cou, les mains et toute autre partie du corps à ces rayons, ainsi qu'aux températures élevées.

Protégez-vous des effets nocifs de l'arc électrique et respectez un rayon minimum de 15 m autour de l'arc électrique pour les personnes ne participant pas aux travaux.

Les personnes ou assistants se trouvant à proximité de l'arc électrique doivent être informés des dangers et munis de produits protecteurs. Si nécessaire, installer des écrans protecteurs.

e. Lieu de travail

- Ventilez suffisamment votre lieu de travail. La soudure libère des gaz nocifs pour votre santé.
- Enlevez tout objet ou matériau inflammable du lieu de travail. La soudure s'accompagne d'étincelles et de métaux échauffés.
- Prenez toujours soin d'avoir de l'eau de

refroidissement à proximité. Ne laissez pas de pièces nouvellement soudées (chaudes) sans surveillance. Refroidissez la pièce avant de quitter le lieu de travail.

Protection contre les rayons et les brûlures

- Signaler le risque pour les yeux sur le poste de travail avec la signalisation "Attention ! Ne jamais regarder dans la flamme!" Les postes de travail doivent être isolés de manière à protéger les personnes se trouvant à proximité. Les personnes non autorisées doivent être tenues à l'écart des travaux de soudure.
- Les murs à proximité directe des postes de travail ne doivent pas être de couleur claire ou brillants. Les fenêtres doivent être protégées du passage et de la réflexion des rayonnements au moins jusqu'à une hauteur de tête, par ex. grâce à une peinture appropriée.

Mise en service

Fig. 3

Conseil: Avant de commencer un travail difficile, il est bon de s'exercer sur un échantillon.

- La pièce à travailler doit être parfaitement propre: ôtez toute trace de rouille, de graisse ou de peinture.
- Réglez l'intensité du courant au moyen du bouton d'ampérage qui se trouve sur l'avant de l'appareil.
- L'ampérage à sélectionner dépend de la pièce à travailler et du type d'électrode.
- Enfoncez la partie non revêtue de l'électrode dans le porte-électrode. Montez la pince du câble de terre sur la pièce à travailler.
- Mettez la machine à souder en marche au moyen de l'interrupteur marche/arrêt.
- Gardez le masque de soudure sur votre visage. Frottez la pointe de l'électrode sur la pièce à travailler comme si vous frottiez une allumette. C'est le meilleur moyen de créer l'arc électrique. Ne frappez pas la pièce avec l'électrode. Ceci endommage l'électrode et rend l'arc de soudure plus difficile à établir.
- Dès que l'arc est établi entre l'électrode et la pièce que vous travaillez, appliquez-vous à garder cet écartement constant. L'écartement devrait être égal au diamètre de l'électrode. L'écartement doit être le plus constant possible pendant la soudure.
- Faites glisser l'électrode sur la surface de la pièce lentement et régulièrement.
- L'angle entre l'électrode et la pièce doit être de

60° and 70° dans la direction du mouvement.

- Une fois que la soudure est faite, rompez l'arc en retirant l'électrode de la pièce.
- Arrêtez la machine à souder.



Attention: si vous laissez la machine à souder en marche, l'électrode risque d'établir le contact avec le câble de terre (si le courant passe par l'établi) et de se mettre à souder toute seule.

- Ôtez les scories de la soudure avec le picot.



Prenez garde aux particules de métal brûlant qui peuvent sauter. Portez toujours des lunettes de protection.

- Ne soudez jamais par-dessus un dépôt de scorie: la scorie crée une couche isolante souillée (inclusion) qui affaiblit la soudure.
- Nettoyez la soudure au moyen de la brosse métallique.



Attention: la pièce est encore à une température extrêmement élevée. Ne laissez pas la pièce brûlante sans surveillance.

Témoin lumineux de la température

Fig. 1

Si la température de la machine à souder monte trop haut, le thermostat l'arrête (et le témoin lumineux s'allume). Le ventilateur s'enclenche pour refroidir l'appareil. Une fois l'appareil suffisamment refroidi, le témoin s'éteint. Il est préférable de laisser à l'appareil le temps de bien se refroidir. Lors d'un usage intensif, la protection thermique risque de l'arrêter à nouveau au bout de quelques minutes.

5. Service en entretien



Assurez-vous que la machine n'est pas sous tension si vous allez procéder à des travaux d'entretien dans son système mécanique.

Les machines ont été conçues pour fonctionner longtemps sans problème avec un minimum d'entretien. En nettoyant régulièrement et correctement la machine, vous contribuerez à une longue durée de vie de votre machine.

Pannes

Si la machine ne fonctionnait pas correctement, un certain nombre de causes potentielles, ainsi que leurs solutions correspondantes, sont données ci-après :



Les réparations et l'entretien ne doivent être effectués que par un technicien qualifié ou une entreprise spécialisée dans l'entretien.

Nettoyage

- Les ouvertures de ventilation doivent être propres, sans poussière ni autre crasse. Pour nettoyer les taches rebelles, utilisez un chiffon doux et de l'eau savonneuse. N'utilisez pas de solvants tels que le pétrole, l'alcool, l'ammoniaque etc.
- Le porte-électrode et la pince de terre doivent être propres et sans rouille pour assurer un bon contact électrique.
- Contrôlez régulièrement que les câbles de soudure et de pièce sont bien solidement connectés.

Lubrification

Cette machine ne nécessite pas de graissage supplémentaire.

Dysfonctionnements

Veillez vous adresser au centre de service indiqué sur la carte de garantie en cas d'un dysfonctionnement, par exemple après l'usure d'une pièce. Vous trouverez, à la fin de ce manuel, un schéma avec toutes les pièces que vous pouvez commander.

Environnement

Pour éviter les dommages liés au transport, la machine est livré dans un emballage robuste. L'emballage est autant que possible constitué de matériau recyclable. Veuillez par conséquent destiner cet emballage au recyclage.



Tout équipement électronique ou électrique défectueux dont vous seriez débarrassé doit être déposé aux points de recyclage appropriés.

Uniquement pour les pays CE

Ne jetez pas les outils électriques avec les déchets domestiques. Selon la directive européenne 2012/19/EU « Déchets d'équipements électriques et électroniques » et sa mise en œuvre dans le

droit national, les outils électriques hors d'usage doivent être collectés séparément et mis au rebut de manière écologique.

Garantie

Pour les conditions de garantie, lisez le certificat de garantie joint à part.

SOLDADOR DE ARCO 55 - 160A

Los números que se indican en el siguiente texto hacen referencia a las figuras contenidas en las páginas 2 + 109



Para su propia seguridad y la de otras personas, le recomendamos leer atentamente estas instrucciones de uso antes de poner en funcionamiento el aparato. Conserve este manual del usuario y la demás documentación junto con la herramienta.

Introducción

El proceso de soldadura por fusión se emplea con el fin de derretir el material de la pieza de trabajo por efectos de aplicación de calor. En la soldadura por arco eléctrico se utiliza, además, un material fundente (electrodos). La soldadura se produce tras la solidificación del material.

El calor requerido para el proceso se obtiene manteniendo un arco eléctrico entre el electrodo y la pieza de trabajo. El proceso de soldadura requiere de una corriente alta (55-160 A) con un voltaje relativamente bajo (10-48 V). Un transformador instalado en el equipo de soldadura se encarga de reducir la tensión de la red (400 V).

¡Este aparato no es adecuado para uso industrial!

Contenidos:

1. Datos técnicos
2. Normas de seguridad
3. Montaje de los accesorios
4. Funcionamiento
5. Servicio y mantenimiento

1. Datos técnicos

Características técnicas

Voltaje	230 / 400 V ~
Frecuencia	50 Hz
Soldabilidad	55 / 140 A (230 V) / 160 A (400 V)
Voltaje sin carga	48 V / 230 V
Factor de potencia	0.62
Diámetro de electrodos	2 - 4 mm
Peso	22.1 Kg
Dimensiones	56 x 32.5 x 40 cm
Aislamiento térmico	105 °C (±5 °C)
Cable de alimentación	HO7RN-F 3x1.5 mm ² 2m
Cable de soldadura	HO1N2-D 1x16 mm ² 2m

Contenido del embalaje

- 1 Equipo de soldadura
- 1 Máscara de soldar
- 1 Cepillo de alambre/martillo desincrustador
- 1 Manual del usuario
- 1 Cuaderno con las normas de seguridad
- 1 Tarjeta de garantía

Revise la máquina, las piezas sueltas y los accesorios asegurándose de que no hayan sufrido daños durante el transporte.

Partes del producto

Fig. 1 & Fig. 2

- 1. Piloto luminoso indicador de la temperatura
- 2. Interruptor de Encendido/Apagado
- 3. Botón giratorio para ajustar la intensidad de la corriente
- 4. Cable de soldadura con portaelectrodo
- 5. Cable de masa con pinza de sujeción
- 6. Apoyos de caucho
- 7. Empuñadura
- 8. Ranuras de ventilación
- 9. Cepillo de alambre/martillo desincrustador
- 10. Máscara de soldar
- 11. Electrodo

Cuadro: instalación y uso

Ø Electrodo (mm) Intensidad de corriente (A) S'utilise pour, entre autres:

2	50-75	Diámetro del material 2-3 mm Reparación de murales
2.5	70-100	Diámetro del material 4-5 mm Cercas y juegos de jardín
3.2	95-150	Diámetro del material 6-7 mm Cochera, garaje
4	130-220	Diámetro del material 8-12 mm Construcción (pesado)

2. Normas de seguridad



Atención: Lea el manual de instrucciones.

Explicación de los símbolos



Indica peligro de accidente, de muerte o riesgo de provocar averías en el aparato en caso de no seguir las instrucciones de este manual.



Indica el peligro de sufrir descargas eléctricas.



Desconecte inmediatamente la toma de corriente en caso de que se dañe el cable de potencia y durante el proceso de mantenimiento.



Mantenga a los presentes a una distancia prudencial de la zona de trabajo.



Proteja contra la lluvia.



Lleve guantes de seguridad.



Lleve protectores para los ojos y los oídos.



Use siempre una máscara de soldar mientras está soldando



Use ropa de protección

EN60974-6 Norma relativa a los aparatos para soldadura manual por arco, de uso limitado.

Clasificación EMC conforme a IEC 60974-10



Portaelectrodo



Terminal de tierra



Caída de voltaje



Transformador monofásico



Circuito de alimentación, fases 1 o 3
~ 50 Hz



Diámetro del electrodo



Fusible 16A



I_1 max Intensidad máxima de la corriente primaria en Amperios

I₂ *Intensidad de la corriente secundaria en Amperios*

— — — *Tiempo nominal máximo de soldadura en modo intermitente*

———— *Tiempo nominal máximo de soldadura en modo continuo*

IP21S *Grado de protección. Sellada contra la penetración de objetos hasta 12 mm y contra el goteo perpendicular de agua. Obstrucción con control de agua.*

H *Grado de aislamiento*

U₀ *Tensión nominal en vacío*

U₁ *Tensión nominal de alimentación*

U₂ *Valores de la tensión de carga convencional*

I_{eff} *Corriente de alimentación máxima efectiva*

Instrucciones generales de seguridad para equipos de soldadura

- El operario del equipo deberá haber recibido instrucción en el uso y manejo del mismo.
- Asegúrese de que el lugar de trabajo esté ordenado y disponga de la suficiente iluminación.
- Siempre que vaya a hacer mantenimiento al equipo desconecte el cable de alimentación de la toma de corriente.
- Retire el enchufe de la toma de corriente cuando vaya a dejar desatendido equipo.
- No use el equipo hasta haberlo ensamblado e instalado completamente según las instrucciones descritas en el manual.

Instrucciones específicas de seguridad para equipos de soldadura

- Durante el proceso de soldadura se liberan chispas y metales calientes. No olvide el riesgo de incendio. Retire todos los objetos inflamables del área de trabajo.
- Asegúrese de que el lugar de trabajo dispone de suficiente ventilación. Durante el proceso de soldadura se liberan gases tóxicos, perjudiciales para la salud.
- No suelde envases ni tubos que contengan o que hayan contenido líquidos o gases inflamables (peligro de incendio o explosión).

- No suelde materiales que hayan sido limpiados con líquidos altamente inflamables o que tengan superficies pintadas (riesgo de liberación de gases tóxicos).
- No trabaje en ambientes húmedos o mojados, ni suelde bajo la lluvia.
- Proteja siempre sus ojos con la máscara de soldar que se suministra con el equipo.
- Use guantes y ropa de protección seca, limpia y libre de manchas de aceite o de grasa.
- La escoria que se forma al soldar alcanza a menudo altas temperaturas y puede causar lesiones graves en los ojos al retirarla. Use siempre anteojos de seguridad y guantes.
- Los rayos ultravioleta pueden quemar la piel durante el proceso de soldadura. Por tal motivo use siempre la ropa de protección adecuada.
- El equipo de soldadura está protegido contra sobrecarga. Por eso, al producirse éste se apaga automáticamente. El equipo de soldadura se enciende de nuevo en forma automática después de haberse enfriado lo suficiente.
- Durante la soldadura y el enfriamiento, la pieza de trabajo puede deformarse debido a la fatiga del material. Tenga siempre en cuenta este aspecto
- Solamente se deben utilizar los cables de soldadura (cables de soldadura bajo goma Ø 10 mm²) suministrados con el equipo.
- En espacios en los que haya peligro de incendio o explosión, se deben tomar medidas especiales.
- Las uniones por soldadura que vayan a estar sometidas a grandes esfuerzos y deban cumplir determinados requisitos de seguridad solamente podrán ser efectuadas por soldadores autenticados con formación especializada. Algunos ejemplos son: calderas de presión, carriles de rodadura, enganches para remolque, etc.
- Atención: conecte la toma a tierra siempre tan cerca del punto de soldadura como sea posible, de tal modo que la corriente de soldadura pueda realizar el recorrido más corto posible desde el electrodo hasta la puesta a tierra. ¡No conecte nunca la toma a tierra a la carcasa del equipo de soldadura! No conecte nunca la conexión a tierra a elementos con toma a tierra que estén alejados de la pieza, como una cañería que esté en el otro lado de la estancia. De lo contrario, podría dañarse el cableado de protección de la estancia en que esté realizando las soldaduras.

- Los fusibles de las conexiones con las tomas de red deben cumplir los requisitos (VDE 0100). Las tomas de seguridad con toma a tierra sólo pueden tener un fusible máximo de 16A (fusibles o interruptores de seguridad; tipos y datos técnicos:
RT14-20, Ø 10 x 38, AC 400 V 16A. IEC 60269. Desatar cargas. Fabricante: Chint). Un fusible mayor puede provocar que se quemen los cables o que se produzca un incendio en el edificio.
- Uso de cables de extensión: use únicamente los cables de extensión aprobados y aptos para la potencia del equipo. El alma o núcleo debe tener un diámetro mínimo de 1,5 mm². Desenrolle completamente el cable si se encuentra enrollado en un carrete.
- Todas las tareas en los elementos bajo tensión como, cables, enchufes machos o hembras, etc., deberán ser realizadas exclusivamente por personal electricista especializado.

Seguridad eléctrica



Apague inmediatamente el equipo si:

- El enchufe o el cable de alimentación están dañados o defectuosos.
- El interruptor está dañado.
- Si observa humo o huele a material aislante quemado.



¡Advertencia! Dependiendo de las condiciones de la red de suministro de fluido eléctrico en el punto de conexión, la fuente de suministro de corriente al equipo de soldadura puede interferir con el suministro de electricidad a otros usuarios. Si tiene dudas al respecto, solicite información a la empresa de suministro eléctrico local.

- Verifique que las conexiones del equipo de soldadura y de los cables eléctricos se han llevado a cabo correctamente. Todo riesgo de choques eléctricos puede ser mortal.
- Verifique siempre que las conexiones están correctas, tanto la del portaelectrodo como la del terminal de tierra.
- No tire de los cables para evitar que se dañen. Desconecte los cables antes de desplazar el equipo de soldadura de un lado a otro.
- Evite el contacto con las partes del equipo de soldadura que transportan corriente, el portaelectrodo y el terminal de tierra.
- Verifique siempre que el voltaje de alimentación corresponde con el valor indicado en la placa del equipo.
- Cuando sustituya cables o enchufes: Tire inmediatamente todos los cables o enchufes viejos cuando los haya sustituido por nuevos. Introducir la clavija de un cable suelto en una toma de corriente es una acción peligrosa.
- Para todos los equipos de soldadura que funcionan a 230 voltios, use fusibles de un mínimo de 16 amperios.

3. Montaje de los accesorios



Asegúrese de desconectar el equipo de la toma de alimentación mientras instala cualquier accesorio.

Instalación del equipo

- Instale el equipo de soldadura en un lugar seco y limpio (libre de polvillo de hierro, polvo y pinturas).
- Coloque el equipo de soldadura sobre una superficie estable y llana, retirado como mínimo 20 cm de la pared.
- Proteja el equipo de soldadura de la lluvia y de los rayos directos del sol.

La máscara de soldar

Fig. 2

- Monte la máscara de soldadura fijando el mango con los tornillos suministrados.
- Coloque el cristal transparente (cristal protector) delante del cristal de soldar oscuro. Coloque los cristales dentro de la ventana y bloquéelos.
- Asegúrese de que los cristales quedan instalados en forma tal que no pueda penetrar ninguna luz (perjudicial) a través de la abertura.
- Sustituya el cristal de protección transparente cuando la visibilidad de la pieza de trabajo sea insuficiente mientras está soldando. La sustitución del cristal de soldar oscuro es considerablemente más costosa que la sustitución del cristal transparente de protección.

Instalación de electrodos nuevos

Un electrodo consiste en un alma de metal provista de un revestimiento. Por uno de los extremos del electrodo el alma está descubierta.

- Presione la empuñadura del portaelectrodo contra el resorte.
- Coloque un electrodo con extremo no recubierto (± 2 cm) en el portaelectrodo. Asegúrese de que la parte no recubierta hace

buen contacto con la parte metálica del portaelectrodo (no introduzca el electrodo demasiado profundo en el portaelectrodo).

- Suelte nuevamente la empuñadura. El electrodo ha quedado instalado.



¡Atención! No deje consumir el electrodo hasta longitudes inferiores a ± 5 cm; esto causa recalentamiento y/o deformación del portaelectrodo. Por otro lado, será difícil de retirar el electrodo quemado.

Extracción de electrodos usados

Presione la empuñadura contra el resorte de manera que el electrodo usado pueda liberarse del portaelectrodo.



¡Atención! No extraiga el electrodo con la mano. ¡Este estará demasiado caliente!



¡Atención! Tenga cuidado con el lugar donde cae el electrodo; así evitará riesgos de incendio y posibles lesiones.



Advertencia: Lea los manuales de instrucción antes de utilizar o reparar este equipo.

Instalación

Fig. 4

La posición inicial del interruptor (2) está puesta en "OFF (apagado)".

La máquina tiene 2 enchufes que pueden utilizarse con tensión de 230 V o 400 V.

- Con el enchufe VDE puede usarse solo en la posición de 230 V. Para utilizar la soldadora con tensión de 230 V, enchufe el enchufe VDE a la red de suministro de 230 V y gire el interruptor (2) de "OFF" a la posición de 230 V.
- Con el enchufe industrial de 5 clavijas puede utilizarse solo con 400 V. Enchufe el enchufe industrial a la red de suministro de 400 V y gire el interruptor (2) de la posición "OFF" a la posición de 400 V.

Tenga en cuenta lo siguiente para evitar el riesgo de incendio, choque eléctrico o lesiones:

- 1 Antes de hacer funcionar la soldadora, compruebe que la tensión nominal de la unidad corresponda con la fuente de alimentación.
- 2 Desenchufe el dispositivo de la fuente de alimentación antes de establecer la tensión nominal.
- 3 Está prohibido ajustar la tensión nominal

durante el funcionamiento de la soldadora.

4. Funcionamiento

Antes de su utilización:

- a. Información general sobre soldadura eléctrica por arco
- b. El electrodo
- c. Ropa de protección
- d. Protección para el rostro
- e. El lugar de trabajo

a. Información general sobre soldadura eléctrica por arco

La temperatura del arco alcanza unos 7.000° centígrados aproximadamente, permitiendo fundir el extremo del electrodo y la pieza de trabajo. Mientras se mantenga el arco, se funde el electrodo proporcionando la cantidad de material fundente para unir las partes. La distancia entre el electrodo y la pieza de trabajo debe ser lo más corta posible (1,5 - 4 mm aprox.). Esto depende del diámetro y del tipo del electrodo. La corriente necesaria para soldar es suministrada por el equipo de soldadura. La potencia que requiere el equipo de soldadura depende del tipo de trabajo que se va a ejecutar. Asegúrese de que los electrodos están completamente secos; los electrodos húmedos ocasionan problemas. Si durante el proceso de soldadura el electrodo se queda pegado a la pieza de trabajo, es porque la intensidad de la corriente es demasiado baja.

b. El electrodo

- Un electrodo consiste en un alma de metal provista de un revestimiento. El revestimiento tiene como función principal proteger del oxígeno y del nitrógeno contenidos en el aire circundante el baño de fusión y la transferencia de las gotas de metal fundido. El electrodo se funde durante el proceso de soldadura. Una parte del revestimiento se evapora creando una pantalla protectora gaseosa. Otra parte del revestimiento flota por encima del baño de fusión (es más liviano que el acero) protegiendo también el enfriamiento de la soldadura. Después de enfriarse, el revestimiento queda como una capa de escoria sólida, de fácil remoción, sobre el cordón de la soldadura.
- Manipule los electrodos cuidadosamente para que no se rompa el revestimiento. Asegúrese de que los electrodos están completamente secos; para ello, almacénelos en un lugar libre de humedad.

- Es de vital importancia emplear el electrodo correcto para obtener un cordón de soldadura fuerte y de buena calidad. En muchos casos un electrodo universal será el más adecuado para su trabajo. En el embalaje del electrodo se indica en qué posiciones se puede realizar la soldadura con el electrodo correspondiente (por encima de la cabeza, hacia abajo, etc. teniendo en cuenta la velocidad con que se funde el electrodo). Existen en el mercado electrodos diseñados especialmente para soldar diferentes tipos de acero inoxidable o hierro fundido. Consulte a su distribuidor para adquirir el electrodo correcto.

c. Ropa de protección

Use ropa de protección que lo cubra completamente, reduciendo así el riesgo de quemaduras de la piel por efectos de los rayos ultravioleta o de las partículas de metal. Use preferiblemente monos de algodón, guantes para soldar y calzado de seguridad. Asegúrese de que las chispas que produce la soldadura no van a parar entre sus guantes o entre sus zapatos. Un delantal (de cuero), especial para soldar, evita que la ropa se quemé a causa de las chispas que libera la soldadura.

d. Protección para el rostro

Fig. 2

Use una buena máscara con cristal de soldar (oscuro) y cristal protector. Verifique que ambos cristales están correctamente instalados (bien asegurados y no permiten el paso de la luz del sol). La máscara de soldar protege al soldador de la radiación, el calor y las chispas producidas durante el proceso de soldadura. Asimismo, reduce el riesgo de inhalación de humos. Los rayos invisibles ultravioleta ocasionan el llamado "resplandor del soldador". Esta quemadura se origina tras mirar directamente el rayo eléctrico por unos cuantos segundos.

Evite exponer el rostro y otras partes del cuerpo como el cuello y los brazos a los efectos de esta radiación y de las altas temperaturas. Proteja contra los efectos peligrosos del arco y mantenga a las personas que no intervengan en el trabajo a un mínimo de 15 m de distancia del arco. El personal o los auxiliares que se encuentren también cerca del arco deberán estar informados de los peligros y provistos de los protectores necesarios. Si fuera necesario, instale pantallas protectoras.

e. El lugar de trabajo

- Asegúrese de tener una buena ventilación en la zona de trabajo. Durante el proceso de soldadura se liberan gases tóxicos perjudiciales para la salud.
- Retire toda clase de objetos inflamables del área de trabajo. Durante el proceso de soldadura se liberan chispas y metales calientes.
- Asegúrese de tener agua fría en inmediaciones del lugar de trabajo. No deje desatendida ninguna pieza de trabajo (caliente) que haya acabado de soldar. Antes de abandonar el lugar de trabajo, enfríe la pieza soldada.

Protección contra radiación y quemaduras

- Señalice, en el lugar de trabajo, el peligro de daño en los ojos mediante el mensaje: "Precaución: No mire hacia la llama." Los lugares de trabajo se deben aislar, en la medida de lo posible, de modo que las personas que se encuentren cerca estén adecuadamente protegidas. Se debe mantener alejados de las tareas de soldadura a todos los que no estén implicados en ellas.
- En el entorno inmediato a lugares de trabajo fijos, las paredes no deben tener colores claros ni ser brillantes. Las ventanas deben estar protegidas, al menos, hasta la altura de la cabeza contra el paso o el reflejo de radiación, por ejemplo: mediante una pintura adecuada.

Utilización del equipo

Fig. 3

Consejo: Antes de empezar a soldar piezas difíciles, practique primero soldando piezas de prueba.

- Verifique que el lugar de trabajo está limpio: retire toda clase de residuos de óxido, grasa y pintura.
- Ajuste la intensidad de la corriente haciendo uso del botón ubicado en la parte frontal del equipo de soldadura. La elección de la intensidad de la corriente depende de la pieza a soldar y del tipo de electrodo que vaya a utilizar.
- Coloque la parte del electrodo que no tiene recubrimiento en el portaelectrodo y conecte el terminal de tierra a la pieza de trabajo.
- Encienda el equipo de soldadura haciendo uso del interruptor principal.
- Sostenga la máscara de soldar delante de la cara y deslice la punta del electrodo sobre la pieza de trabajo como si fuese a rastrillar una

cerilla. Esta es la mejor manera de iniciar el arco de soldar. No golpee la pieza de trabajo con el electrodo. Esto dañará el electrodo impidiendo la creación del arco de soldar.

- Inmediatamente se haya creado el arco de soldar, trate de mantener la misma distancia entre la punta del electrodo y la pieza de trabajo. Esta distancia debe ser igual al diámetro del electrodo. Mantenga esta distancia lo más constante posible durante el proceso de soldadura.
- Deslice el electrodo con un movimiento lento y gradual sobre la pieza de trabajo.
- Mantenga un ángulo de 60° o 70° en la dirección del movimiento entre el electrodo y la pieza de trabajo.
- Cuando haya terminado el cordón de soldadura, rompa el arco retirando el electrodo de la pieza de trabajo.
- Apague el equipo de soldadura.



¡Atención! Si deja encendido el equipo de soldadura, hay una alta posibilidad de que el electrodo haga contacto (a través de la mesa de trabajo) con el cable de tierra y se inicie el proceso espontáneamente.

- Retire la escoria del cordón de soldadura empleando un martillo desincrustador.



Tenga cuidado con las partes calientes que puedan desprenderse. Use siempre anteojos de seguridad.

- No suelde nunca sobre residuos de escoria; ésta es una capa aislante y contaminada y, por lo tanto, debilita la soldadura (llamada también inclusión de escoria).
- Limpie la soldadura utilizando un cepillo de alambre.



¡Atención! La pieza de trabajo aún tiene una alta temperatura. No la deje desatendida.

Piloto luminoso indicador de la temperatura

Fig. 1

Cuando la temperatura del equipo de soldadura aumenta demasiado, el termostato incorporado se apaga (la luz del piloto luminoso se enciende). El ventilador incorporado se encarga de enfriar el equipo. Una vez alcanzado el nivel de enfriamiento correcto, el piloto se apaga nuevamente. De preferencia, permita que el equipo se enfríe durante

el tiempo suficiente; cuando se está soldando en forma intensiva el riesgo es alto de que el interruptor de corte vuelva a activarse tras unos cuantos minutos.

5. Servicio y mantenimiento



Antes de cualquier trabajo de mantenimiento o limpieza saque siempre el enchufe de la caja de corriente (enchufe de pared). No utilice nunca agua u otros líquidos para limpiar las partes eléctricas de su pulidora.

Los aparatos han sido diseñados para funcionar correctamente durante un largo periodo de tiempo necesitando un mantenimiento mínimo. Manteniendo limpio el aparato y usándolo correctamente, conseguirá alargar la vida útil de los aparatos.

Fallos

A continuación se indican varias posibles causas y soluciones si la máquina no funciona correctamente.

El equipo de soldadura no funciona

- El terminal de tierra no está haciendo buen contacto con la pieza de trabajo.
- El electrodo no está colocado en la posición correcta en el portaelectrodo.
- Control térmico apagado o protección térmica interrumpida.
- El fusible está quemado (en la caja del contador).
- El cable está interrumpido.
- El interruptor está malo. Contacte a su distribuidor.

El electrodo se sigue pegando a la pieza de trabajo.

- Use el tipo de electrodo correcto (universal).
- La intensidad de la corriente es demasiado baja/gire el botón 3 en la dirección de las manecillas del reloj.

El electrodo está de color anaranjado

- La intensidad de la corriente es demasiado alta para este tipo de electrodo/gire el botón 3 en dirección contraria a las manecillas del reloj.

El electrodo salpica excesivamente y hace mucho ruido durante el proceso de soldadura

- La intensidad de la corriente es demasiado alta/

gire el botón 3 en la dirección contraria a las manecillas del reloj.

El equipo está demasiado caliente; el piloto luminoso está encendido

- Las ranuras de ventilación están bloqueadas. Límpielas con un paño seco. Espere unos minutos hasta que se apague de nuevo el piloto luminoso.



Las reparaciones y trabajos de mantenimiento deben realizarlas técnicos cualificados o una compañía de servicios.

Limpieza

- Asegúrese de que las ranuras de ventilación están libres de polvo y suciedad. Para eliminar la mugre tenaz use un paño suave humedecido en agua jabonosa. No use disolventes como gasolina, alcohol, amoníaco, etc.
- Asegúrese de que el portaelectrodo y el terminal de tierra permanezcan libres de óxido para que puedan hacer buen contacto eléctrico.
- Revise regularmente que el cable de soldar y el de la pieza de trabajo estén bien conectados en las clavijas.

Engrasado

El aparato no necesita ser engrasado.

Averías

Si se presenta una avería, por ejemplo, por el desgaste de una pieza, póngase en contacto con el proveedor de servicios indicado en la tarjeta de garantía. En el dorso de este manual encontrará un amplio resumen de las partes de recambio que se pueden ordenar.

Uso ecológico

Para prevenir los daños durante el transporte, el aparato ha sido embalado. Dicho embalaje está hecho, en la medida de lo posible, de material reciclable. Le rogamos, por lo tanto, que recicle dicho material.



Cualquier aparato eléctrico o electrónico desechado y/o defectuoso tiene que depositarse en los lugares apropiados para ello.

Sólo para países CE

No deseche las herramientas eléctricas con los residuos domésticos. De conformidad con la Directiva Europea 2012/19/EU sobre residuos de aparatos eléctricos y electrónicos y su implementación en el derecho nacional, las herramientas eléctricas que dejen de funcionar deben recogerse por separado y desecharse de forma respetuosa con el medio ambiente.

Garantía

Lea atentamente las condiciones de garantía indicadas en la tarjeta de garantía que aparece en este manual de instrucciones.

SOLDADOR A ARCO 55 - 160A

Os números no texto seguinte referem-se aos desenhos na página 2 + 109



Para a sua própria segurança e para a segurança dos outros, leia cuidadosamente estas instruções antes de utilizar este aparelho. Vai ajudá-lo a compreender o produto mais facilmente e a evitar riscos desnecessários. Guarde este manual de instruções num local seguro para futuras utilizações.

Introdução

O processo de soldagem por fusão é utilizado para fundir o material da peça a trabalhar sob a influência do calor fornecido. Com a soldadura por arco eléctrico também é utilizado material de soldadura (eléctrodos). A solda é originada depois da solidificação.

O calor necessário é obtido mantendo um arco eléctrico entre o eléctrodo e a peça a trabalhar. O processo de soldadura necessita de uma corrente forte (55-160 A) com uma voltagem relativamente baixa (10-48 V) Um transformador na máquina de soldar assegura a redução da voltagem da rede eléctrica (400 V).

O aparelho não foi concebido para o uso industrial.

Conteúdos

1. Informações da máquina
2. Instruções de segurança
3. Acessórios de montagem
4. Utilização
5. Serviço e manutenção

1. Informações da máquina

Especificações técnicas

Tensão	230 / 400 V ~
Frequência	50 Hz
Potência de soldagem	55 / 140 A (230 V) / 160 A (400 V)
Tensão sem carga	48 V / 230 V
Factor de potência	0.62
Diâmetro dos eléctrodos	2 - 4 mm
Peso	22.1 kg
Dimensões	56 x 32.5 x 40 cm
Protecção térmica	105 °C (±5 °C)
Cabo eléctrico	H07RN-F 3×1.5mm ² 2m
Cabo de soldagem	H01N2-D 1×16mm ² 2m

Conteúdo da embalagem

- 1 Máquina de soldar
- 1 Máscara de soldar
- 1 Escova de arame/martelo picador
- 1 Manual do Utilizador
- 1 Instruções de segurança
- 1 Postal de garantia

Inspeccione a máquina, as peças soltas e os acessórios quanto a danos de transporte.

Características

Fig. 1 & Fig. 2

1. Lâmpada indicadora de temperatura
2. Interruptor Ligar/Desligar
3. Botão rotativo para regular a intensidade da corrente
4. Cabo de soldagem com suporte do eléctrodo
5. Fio de terra com fixação
6. Tampa de borracha
7. Pega
8. Ranhuras de ventilação
9. Escova de arame/martelo picador
10. Máscara de soldar
11. Eléctrodos

Tabela: regular e usar

Ø Eléctrodo (mm)	Intensidade da corrente (A)	Adequado para, entre outros:
2	50-75	Espessura do material 2-3 mm Reparação de estantes
2.5	70-100	Espessura do material 4-5 mm Vedações de jardim, brinquedos de jardim
3.2	95-150	Espessura do material 6-7 mm Abrigo, garagem
4	130-160	Espessura do material 8-12 mm Construção (pesada)

2. Instruções de segurança



Atenção! Leia o manual de instruções.

Explicação de símbolos



Indica o risco de ferimentos, perda de vida ou danos na ferramenta, se não seguir as instruções deste manual.



Indica o perigo de choque eléctrico.



Desligue imediatamente a ficha da corrente eléctrica caso o fio de alimentação esteja danificado durante as tarefas de manutenção.



Mantenha as pessoas à distância.



Proteja de encontro à chuva.



Utilize protecção visual e auditiva.



Use luvas de protecção.



Use sempre uma máscara de soldadura enquanto soldar.



Use roupa de protecção

EN60974-6 Norma para máquinas de soldar para soldadura por arco metálica manual com funcionamento limitado.

Classificação EMC em conformidade com a IEC 60974-10



Suporte do eléctrodo



Terminal de terra



Queda de voltagem



Transformador monofásico



Circuito eléctrico, fases 1 ou 3 ~50 Hz



Diâmetro do eléctrodo



Fusível 16A

I_{1max}

Intensidade máxima da corrente primária em Amperes

I_2

Intensidade da corrente secundária em Amperes



Tempo máximo nominal de soldadura no modo intermitente



Tempo máximo nominal de soldadura no modo contínuo

IP21S

Classe de protecção. Protecção contra penetração de objectos até 12 mm e contra a queda de gotas de água na perpendicular. Paragem com controlo de água.

H

Classe de isolamento

U₀

Tensão nominal sem carga

U₁

Tensão nominal de alimentação

U₂

Valores da tensão de carga normal

I_{1eff}

Corrente de alimentação máxima eficaz

Instruções de segurança gerais para máquinas de soldar

- O utilizador da máquina dever ter recebido instrução acerca da utilização e funcionamento da máquina.
- Assegure um ambiente de trabalho bem iluminado e limpo.
- Desligue sempre a ficha da tomada antes de efectuar qualquer manutenção na máquina.
- Retire a ficha da tomada quando deixar a máquina.
- Não use a máquina antes de ter montado e instalado a máquina completamente como descrito neste manual.
- Instruções de segurança específicas para máquinas de soldar
- A soldagem provoca faíscas e metal quente. Não se esqueça que isto representa um perigo de incêndio e, por isso, retire todos os objectos inflamáveis do ambiente de trabalho.
- Assegure uma boa ventilação no ambiente de trabalho. Quando está a soldar são libertados gases que são um perigo para a sua saúde.

- Não solde recipientes ou tubos que contenham ou tenham contido líquidos ou gases inflamáveis (perigo de incêndio ou explosão).
- Não solde materiais que tenham sido limpos com líquidos altamente inflamáveis ou que tenham superfícies pintadas (possibilidade de libertação de gases perigosos).
- Não trabalhe num ambiente húmido ou molhado e não solde à chuva.
- Proteja sempre os seus olhos com a máscara de soldar fornecida.
- Use luvas e vestuário de protecção que estejam secos e que não tenham óleo ou sujidade entranhados.
- A escória a ser lascada está por vezes muito quente e pode causar graves lesões nos olhos durante a remoção. Use sempre óculos e luvas de protecção.
- Os raios ultravioleta podem queimar a sua pele durante a soldagem. Por isso, use sempre vestuário de protecção adequado.
- A sua máquina de soldar está protegida contra sobrecarga. Deste modo, a máquina de soldar desliga automaticamente se sofrer uma sobrecarga. A máquina de soldar volta a ligar automaticamente depois de ter arrefecido suficientemente.
- Durante a soldagem e o arrefecimento a sua peça a trabalhar pode deformar-se devido à tensão. Tenha sempre isto em conta.
- Só devem ser utilizados os cabos de soldadura fornecidos (cabo de soldadura em borracha Ø 10 mm²).
- Em compartimentos potencialmente inflamáveis ou explosivos, são válidas prescrições especiais.
- Juntas soldadas, que estejam sujeitas a grande desgaste e tenham de cumprir determinados requisitos de segurança, só devem ser efectuadas por soldadores especialmente formados e certificados.
- Exemplos: recipientes de pressão, carris de rolamento, acoplamentos de reboques etc.
- Atenção: ligue sempre o terminal de terra o mais próximo possível do local da soldadura, de forma que a corrente de soldadura faça o caminho mais curto desde o eléctrodo até ao terminal de terra. Nunca ligue o terminal de terra à caixa do aparelho de soldadura! Nunca ligue o terminal de terra em partes ligadas à terra, que se encontrem afastadas da peça a ser trabalhada, p. ex. um cano de água num outro canto do compartimento. Caso contrário, o sistema de protecção da ligação à terra do

compartimento onde estiver a soldar pode ficar danificado.

- As protecções fusíveis das linhas adutoras para as tomadas de rede devem cumprir as directivas (VDE 0100). Tomadas de contacto de protecção devem estar protegidas por fusível (fusíveis ou interruptores automáticos) até um máx. de 16A (tipos e dados técnicos: RT14-20, Ø 10 x 38, AC 400 V 16A. IEC 60269. Accionar fusível de acção retardada. Fabricante: Chint). Fusíveis mais potentes podem provocar a combustão dos cabos ou danos no edifício devido a incêndio.

Segurança eléctrica



Desligue imediatamente a máquina se:

- *Houver um defeito na ficha, cabo de alimentação ou se o cabo estiver danificado.*
- *O interruptor estiver defeituoso.*
- *Vir fumo ou lhe cheirar a isolamento queimado.*



Aviso! Dependendo das condições de fornecimento de electricidade no ponto de ligação, a fonte de energia para soldar pode causar interferência no fornecimento de electricidade a outros. Se houver alguma dúvida acerca desta questão, aconselhe-se na empresa de electricidade.

- Certifique-se de que as ligações da máquina de soldar e dos cabos eléctricos estão correctamente feitas. Qualquer possibilidade de choque eléctrico pode colocar a vida em perigo.
- Certifique-se sempre de que as ligações estão bem feitas, tanto para o suporte do eléctrodo como para o terminal de terra.
- Não permita que os cabos eléctricos sejam danificados ao puxar por eles. Desligue os cabos antes de deslocar a máquina de soldar.
- Evite o contacto com a parte condutora de electricidade da máquina de soldar, do suporte do eléctrodo e do terminal de terra.
- Verifique sempre se a voltagem da rede eléctrica corresponde ao valor indicado na chapa de tipo da máquina.
- Com a substituição de cabos ou fichas: Desfaça-se imediatamente de fichas ou cabos velhos assim que estes tenham sido substituídos por novos. É perigoso introduzir uma ficha de cabo solta numa tomada.

- Para todas as máquinas de soldar que funcionem a 230 Volts use pelo menos fusíveis de 16 Amperes
- Quando forem utilizados cabos de prolongamento:
- Use apenas um cabo de prolongamento aprovado que seja adequado para a potência da máquina.
- Os condutores têm que ter um diâmetro de pelo menos 1,5 mm². Desenrole completamente o cabo se o cabo de prolongamento estiver num enrolador.
- Os trabalhos no lado da tensão de rede, p. ex. em cabos, fichas, tomadas etc. só devem ser efectuados por um electricista.
- Coloque um eléctrodo com ponta sem revestimento (± 2 cm) no suporte do eléctrodo. Certifique-se de que a parte não revestida faz bom contacto com a parte metálica do suporte do eléctrodo (eléctrodo não empurrado para muito longe no suporte do eléctrodo)
- Liberte a alavanca da pega. O eléctrodo está agora fixo.



Atenção! Não permita que o eléctrodo gaste até comprimentos inferiores a ± 5 cm devido ao sobreaquecimento e/ou deformação do suporte do eléctrodo. O eléctrodo derretido até ao fim será então difícil de remover.

3. Acessórios de montagem



Certifique-se de que a ficha foi retirada da tomada durante a montagem de acessórios.

Instalação da máquina

- Instale a máquina de soldar num espaço limpo e seco (livre de pó de ferro, poeiras e tinta).
- Coloque a máquina de soldar numa superfície firme e plana e pelo menos a 20 cm da parede.
- Proteja a máquina de soldar contra chuva e luz do sol forte.

A máscara de soldar

Fig. 2

- Coloque a máscara de soldadura fixando a pega com os parafusos fornecidos.
- Coloque o vidro claro (vidro de protecção) em frente ao vidro escuro de soldar. Coloque os óculos no interior da janela e bloqueie-os.
- Certifique-se de que os vidros são posicionados de modo que não possa agora entrar luz (prejudicial) pela abertura.
- Substitua o vidro de protecção claro quando a visão da peça a trabalhar se tornar insuficiente durante a soldagem. Substituir o vidro de soldagem escuro é consideravelmente mais dispendioso do que substituir o vidro de protecção claro.

Encaixar novos eléctrodos

O eléctrodo consiste num núcleo metálico fechado por um revestimento. Numa ponta do eléctrodo o núcleo não está coberto pelo revestimento.

- Prima a alavanca do suporte do eléctrodo contra a mola.

Retirar eléctrodos usados

Prima a pega do suporte do eléctrodo contra a mola de modo que o eléctrodo gasto possa cair do suporte.



Atenção! Não retire o eléctrodo do suporte com a mão. O eléctrodo está muito quente!



Atenção! Veja onde os desperdícios do eléctrodo caem para evitar o perigo de incêndio e possíveis danos físicos.



Aviso: leia os manuais de instruções antes de utilizar e reparar este equipamento.

Instalação

Fig. 4

A posição inicial do interruptor (2) está definida como "OFF" (Desligado).

A máquina tem 2 fichas, pode ser utilizada a uma tensão de 230 V ou 400 V.

- Com a ficha VDE, só pode ser utilizada na posição de 230 V. Para utilizar o soldador a uma tensão de 230 V, ligue a ficha VDE a uma fonte de alimentação de 230 V e depois mude a posição do interruptor (2) de "OFF" (Desligado) para a posição de 230 V.
- Com a ficha industrial de 5 pinos, só pode ser utilizado a uma tensão de 400 V. Ligue a ficha industrial a uma fonte de alimentação de 400 V e depois mude a posição do interruptor (2) da posição "OFF" (Desligado) para a posição de 400 V.

Tenha em atenção o seguinte para evitar o risco de incêndio, choque eléctrico ou ferimentos em pessoas:

- 1 Antes de utilizar a máquina de soldar, certifique-se de que a tensão nominal da unidade corresponde à da fonte de alimentação.
- 2 Desligue o dispositivo da fonte de alimentação antes de definir a tensão nominal.
- 3 É proibido ajustar a tensão nominal quando utilizar a máquina de soldar.

4. Utilização

Antes de utilizar

- a. Informação geral acerca da soldadura por arco eléctrico
- b. O eléctrodo
- c. Vestuário de protecção
- d. Protecção facial
- e. Ambiente de trabalho

a. Informação geral acerca da soldadura por arco eléctrico

A temperatura do arco vai até cerca de 7000° Celsius, deste modo a ponta do eléctrodo e a peça a trabalhar fundem-se. Quanto mais tempo o arco for mantido, mais o eléctrodo fundirá e fornecerá o material de soldagem às peças a serem unidas. A distância entre o eléctrodo e a peça a trabalhar deve ser a mais curta possível (aprox. 1,5 - 4 mm) dependendo do diâmetro e do tipo de eléctrodo. A corrente necessária para soldar é fornecida pela máquina de soldar. A potência necessária fornecida pela máquina de soldar depende do trabalho a ser feito.

Certifique-se de que os eléctrodos estão completamente secos, isto porque os eléctrodos húmidos causam problemas. Se o eléctrodo se colar à peça a trabalhar durante a soldagem a intensidade da corrente é regulada para muito baixa.

b. O eléctrodo

- O eléctrodo consiste num núcleo metálico fechado por um revestimento. O revestimento tem como objectivo principal proteger o banho de solda e as gotas daí resultantes contra oxigénio e nitrogénio no ar envolvente. O eléctrodo funde-se durante a soldagem. Uma parte do revestimento evapora e forma-se uma protecção gasosa. Uma parte do revestimento bóia no banho de solda (é mais leve do que o aço) e também

protege o arrefecimento da solda. Depois do arrefecimento este revestimento torna-se numa escória sólida mas fácil de remover da junta soldada.

- Manuseie os eléctrodos com cuidado para que o revestimento não se parta. Certifique-se de que os eléctrodos estão bem secos, por isso guarde-os num local onde não haja humidade.
- Para fazer uma junta soldada boa e forte é de grande importância usar o eléctrodo correcto. Um eléctrodo universal será em muitos casos adequado para o seu trabalho. A embalagem do eléctrodo menciona em que posições a soldadura deve ser feita com os respectivos eléctrodos (por cima da cabeça, para baixo, etc., tendo em conta a velocidade de fusão do eléctrodo). Estão disponíveis no mercado eléctrodos vendidos em separado para soldar tipos de aço inoxidável e ferro fundido. Consulte o seu representante acerca da aquisição do eléctrodo correcto.

c. Vestuário de protecção

Use vestuário que lhe cubra todo o corpo, de modo que a possibilidade de queimar a pele por raios ultravioleta ou por salpicos de metal seja minimizada.

De preferência, use vestuário de algodão em todo o corpo, luvas de soldar e calçado de protecção. Tenha cuidado para que os salpicos de solda não lhe atinjam as luvas e os sapatos.

Um avental de soldar (cabedal) evita que as faíscas queimem o vestuário de soldar.

d. Protecção facial

Fig. 2

Use uma boa máscara de soldar com vidro de soldar (escuro) e vidro de protecção. Verifique se os dois vidros estão correctamente encaixados (bem fixos e não permitindo a entrada de luz solar). A máscara de soldar protege o soldador contra radiação, calor e salpicos de solda libertados durante o processo de soldadura. Isto também reduz a inalação de fumos de soldadura.

Os raios ultravioleta invisíveis causam a cegueira do soldador. Este efeito pode acontecer em qualquer exposição aos raios mesmo que olhe apenas alguns segundos para o arco eléctrico. Evite os efeitos desta radiação e de temperaturas elevadas na face e noutras partes do corpo expostas, tais como: pescoço e braços. Proteja-se contra os efeitos perigosos do arco eléctrico e mantenha as pessoas não afectas à função a, pelo menos, 15 m de distância do arco

eléctrico.

Mesmo as pessoas ou ajudantes, que se encontrem próximo do arco eléctrico, devem conhecer os perigos e estar equipados com os meios de protecção necessários. Se necessário, colocar painéis de protecção.

e. Ambiente de trabalho

- Assegure um ambiente de trabalho bem ventilado. Quando está a soldar são libertados gases que são um perigo para a sua saúde.
- Retire todos os objectos inflamáveis do local de trabalho. A soldagem provoca faíscas e metal quente.
- Certifique-se de que existe água de arrefecimento junto do local de trabalho. Não deixe peças (quentes) acabadas de soldar sozinhas no local de trabalho. Arrefeça a peça antes de deixar o local de trabalho.

Protecção contra irradiação e queimaduras

- No local de trabalho colocar placas com o aviso "Cuidado! Não olhar para a chama!" de forma a chamar a atenção para os riscos oculares. Os locais de trabalho devem ser resguardados o melhor possível, de forma que as pessoas que se encontrem próximo também estejam protegidas. As pessoas não autorizadas devem manter-se afastadas dos trabalhos de soldadura.
- Na proximidade directa dos locais de trabalho fixos, as paredes não devem ser claras nem brilhantes. As janelas devem estar protegidas até, pelo menos, à altura da cabeça contra os salpicos da irradiação, p. ex. mediante uma pintura adequada.

Colocar em funcionamento

Fig. 3

Dica: Antes de começar a soldar peças difíceis é melhor primeiro tentar soldar numa peça de teste.

- Assegure uma peça a trabalhar limpa: retire quaisquer resíduos de ferrugem, lubrificante e tinta.
- Regule a intensidade de corrente necessária utilizando o botão na parte da frente da máquina de soldar. A escolha da intensidade de corrente depende da peça a trabalhar e do tipo de eléctrodo usado.
- Coloque a parte do eléctrodo sem revestimento no suporte do eléctrodo e ligue o terminal de terra à peça a trabalhar.
- Ligue a máquina de soldar no interruptor

principal.

- Mantenha a máscara de soldar na frente da sua face e mova a ponta do eléctrodo sobre a peça a trabalhar como se estivesse a riscar um fósforo. Esta é a melhor maneira para iniciar o arco de soldadura. Não bata com o eléctrodo contra a peça a trabalhar. Isto danificará o eléctrodo e impedirá a criação do arco de soldadura.
- Depois de criar o arco de soldadura, tente imediatamente manter a distância igual entre a ponta do eléctrodo e a peça a trabalhar. Mantenha esta distância igual para o diâmetro do eléctrodo. Mantenha esta distância o mais constante possível durante a soldadura.
- Mova o eléctrodo num movimento de puxar gradual sobre a peça a trabalhar.
- Mantenha o ângulo entre o eléctrodo e a peça a trabalhar entre 60° e 70° na direcção do movimento.
- Quando a junta soldada tiver sido feita, parta o arco de soldadura retirando o eléctrodo da peça a trabalhar.
- Desligue a máquina de soldar.



Atenção. Se deixar a máquina de soldar ligada, existe uma grande probabilidade do eléctrodo fazer contacto (através da bancada de trabalho) com o fio de terra e começar espontaneamente a soldar.

- Retire a escória da junta soldada com um martelo picador.



Tenha cuidado com as partículas de metal quentes que possam ser projectadas. Use sempre óculos de protecção.

- Nunca solde sobre resíduos de escória: a escória forma uma camada de sujidade e de isolamento, o que resulta num enfraquecimento da soldadura (designado como inclusão de escória).
- Limpe a soldadura escovando-a com uma escova de arame.



Atenção. A peça a trabalhar continua a uma temperatura muito elevada. Não deixe a peça quente sozinha.

Lâmpada indicadora de temperatura

Fig. 1

Quando a temperatura da máquina de soldar ficar

demasiado elevada, o termóstato incorporado desligará (a luz indicadora acende). O ventilador incorporado arrefece a máquina. Depois de arrefecer, a lâmpada apaga-se novamente. De preferência, dê tempo suficiente para que a máquina arrefeça; com soldadura intensa é bastante provável que a segurança térmica desapareça novamente após alguns minutos.

5. Serviço e manutenção



Certifique-se que a máquina não está sob tensão sempre que levar a cabo os trabalhos de manutenção no motor.

As máquinas foram concebidas para operar durante de um período de tempo prolongado com um mínimo de manutenção. A continuidade do funcionamento satisfatório da máquina depende da adequada manutenção da máquina e da sua limpeza regular.

Falhas

No caso de falha da máquina, há um número de causas possíveis e as soluções apropriadas são dadas a seguir.

A máquina de soldar não está a funcionar

- O terminal de terra não tem bom contacto com a peça a trabalhar
- O eléctrodo não está correctamente posicionado no seu suporte
- O controlo térmico foi desligado ou está partido.
- Fusível defeituoso (na caixa do contador)
- O cabo está partido
- O interruptor está defeituoso/contacte o seu representante.

O eléctrodo continua a “colar” à peça a trabalhar

- Use o tipo de eléctrodo correcto (universal)
- A intensidade da corrente está baixa demais/ rode o botão 3 para a direita

O eléctrodo está laranja-avermelhado

- A intensidade da corrente está alta demais para este tipo de eléctrodo/rode o botão 3 para a esquerda

O eléctrodo salpica excessivamente e faz bastante ruído durante a soldadura

- A intensidade da corrente está alta demais/ rode o botão 3 para a esquerda

A máquina está quente demais, a lâmpada indicadora está acesa

- As ranhuras de ventilação estão bloqueadas/ limpe-as com um pano seco, espere alguns minutos até que a lâmpada se volte a apagar



Reparações e assistência apenas devem ser feitas por técnicos qualificados ou empresa de assistência.

Limpeza

- Certifique-se de que as ranhuras de ventilação estão livres de poeiras e sujidade. Use um pano suave humedecido com uma solução de água e sabão para remover a sujidade mais entranhada. Não use quaisquer solventes como petróleo, álcool ou amoníaco, etc.
- Certifique-se de que o suporte do eléctrodo e o terminal de terra permanecem livres de corrosão de modo que possam continuar a fazer bom contacto eléctrico.
- Verifique regularmente se os cabos da peça a trabalhar e da máquina de soldar estão firmemente ligados nas suas ligações.

Lubrificação

A máquina não requer qualquer lubrificação adicional.

Falhas

Se ocorrer uma falha, por exemplo, como resultado de desgaste numa peça, contacte a assistência.

No fim deste manual do operador encontra um diagrama de componentes expandido com as peças que pode encomendar.

Protecção do meio ambiente

Com vista a evitar quaisquer danos de transporte, a máquina é fornecida numa embalagem resistente, fabricada na medida do possível em materiais recicláveis. Entregue, portanto, a embalagem para reciclagem.



Os aparelhos eléctricos ou electrónicos avariados e/ou eliminados têm de ser recolhidos nos pontos de reciclagem adequados.

Apenas para os países da CE

Não coloque as ferramentas eléctricas no lixo doméstico. Em conformidade com a directriz

europeia 2012/19/EU relativa a resíduos de equipamentos eléctricos e electrónicos e respectiva implementação na legislação nacional, as ferramentas eléctricas não utilizáveis devem ser recolhidas separadamente e eliminadas de um modo ecologicamente seguro.

Garanzia

Os termos e condições da garantia encontram-se descritos no boletim da garantia fornecido em separado.

SALDATRICE AD ARCO 55 - 160A

I numeri contenuti nel testo sottostante si riferiscono alle illustrazioni a pagina 2 + 109



Per la vostra sicurezza e quella degli altri, per favore leggere attentamente queste istruzioni prima di usare questo apparecchio. Vi aiuteranno a capire il funzionamento del vostro prodotto più facilmente e ad evitare rischi.

Conservare questo manuale di istruzioni in un luogo sicuro per uso futuro.

Introduzione

Nel procedimento di saldatura per fusione il materiale dell'elemento trattato viene fuso per effetto del calore fornito. Nel caso della saldatura mediante arco elettrico si fa inoltre uso di materiale di saldatura supplementare (elettrodi). La saldatura ha luogo dopo la solidificazione. Il calore richiesto viene ottenuto mantenendo un arco elettrico tra l'elettrodo e l'elemento trattato. Il procedimento di saldatura necessita di una corrente elevata (55-160 A) con un voltaggio relativamente basso (10-48 V). Un trasformatore all'interno dell'apparecchiatura della saldatrice assicura la riduzione della tensione di rete (400 V).

L'apparecchiatura non è adatta per l'utilizzo industriale.

Contenuti

1. Dettagli dell'apparecchio
2. Misure di sicurezza
3. Montaggio accessori
4. Funzionamento
5. Servizi & manutenzione

1. Dettagli dell'apparecchio

Caratteristiche tecniche

Tensione	230 / 400 V ~
Frequenza	50 Hz
Potenza di saldatura	55 / 140 A (230 V) / 160 A (400 V)
Tensione a vuoto	48 V / 230 V
Fattore di potenza	0.62
Diametro degli elettrodi	2 - 4 mm
Peso	22,1 kg
Dimensioni	56 x 32,5 x 40 cm
Protezione termica	105 °C (±5 °C)
Cavo di alimentazione	HO7RN-F 3x1,5 mm ² 2m
Cavo di saldatura	HO1N2-D 1x16 mm ² 2m

Contenuto della confezione

- 1 Saldatrice
- 1 Maschera per saldatura
- 1 Spazzola metallica/martellina
- 1 Manuale utente
- 1 Misure di sicurezza
- 1 Scheda di garanzia

Verificare che la macchina, le singole parti e gli accessori non abbiano subito danni durante il trasporto.

Informazioni sul prodotto

Fig. 1 & Fig. 2

- 1. Spia temperatura
- 2. Interruttore d'accensione
- 3. Manopola d'impostazione dell'intensità della corrente
- 4. Cavo di saldatura con porta elettrodo
- 5. Cavo di massa con morsetto
- 6. Cappuccio in gomma
- 7. Maniglia
- 8. Aperture di ventilazione
- 9. Spazzola metallica/martellina
- 10. Maschera per saldatura
- 11. Elettrodi

Tabella: impostazione ed uso

Ø Electrodo (mm)	Intensità di corrente (A)	Esempio di elemento trattato:
2	50-75	Spessore materiale 2-3 mm Riparazione sostegno a parete
2.5	70-100	Spessore materiale 4-5 mm Ringhiera giardino; giochi da giardino
3.2	95-150	Spessore materiale 6-7 mm Saracinesca garage
4	130-160	Spessore materiale 8-12 mm Da costruzione (pesante)

2. Misure di sicurezza



Attenzione! Leggere il manuale di istruzioni.

Legenda dei simboli



Segnala il rischio di lesioni personali, di morte o di danni all'apparecchio in caso di non osservanza delle istruzioni di questo manuale.



Indica il rischio di scossa elettrica.



Stacchi la spina immediatamente dalla linea principale in caso di danni al cavo durante la manutenzione.



Tenere gli spettatori a distanza.



Indossare protezioni per occhi e orecchie.



Protegga da pioggia.



Indossare guanti protettivi



Durante la saldatura usare sempre una maschera da saldatore.



Indossare abiti protettivi

EN60974-6 Normativa per saldatrici per saldatura manuale ad arco con carico limitato.

Classificazione EMC secondo IEC 60974-10



Pinza porta elettrodo



Terminale di massa



Caratteristica discendente



Trasformatore monofase



Circuito di alimentazione, fasi 1 o 3 ~50 Hz



Diametro elettrodo



Fusibile 16A



I_{max} Intensità massima della corrente primaria in Ampere

I₂ *Intensità di corrente secondaria in Ampere*

— — — *Tempo di saldatura nominale massimo a intermittenza*

— *Tempo di saldatura nominale massimo in modalità continua*

IP21S *Classe di protezione. Schermato contro la penetrazione di oggetti di grandezza superiore a 12 mm e di acqua in caduta verticale. Arresto con controllo acqua.*

H *Classe d'isolamento*

U₀ *Tensione nominale a vuoto*

U₁ *Tensione elettrica nominale*

U₁₂ *Valori della tensione di carico convenzionale*

I_{eff} *Corrente di alimentazione effettiva massima*

Norme di sicurezza generali per gli apparecchi di saldatura

- L'utente dell'apparecchio deve essere stato istruito sull'uso e l'azionamento dell'apparecchio.
- Assicurare un ambiente di lavoro ben illuminato ed ordinato.
- Disinserire sempre la spina dalla presa di corrente prima di eseguire lavori di manutenzione sull'apparecchio.
- Disinserire la spina dalla presa di corrente quando ci si allontana dall'apparecchio.
- Non usare l'apparecchio prima di avere completamente montato ed installato l'apparecchio secondo le istruzioni fornite nel manuale.

Norme di sicurezza specifiche per l'apparecchio di saldatura

- La saldatura causa l'emanazione di scintille e metallo rovente. Ricordarsi che ciò costituisce un pericolo d'incendio e rimuovere gli oggetti infiammabili dall'ambiente di lavoro.
- Assicurare una buona ventilazione nell'ambiente di lavoro. Durante la saldatura vengono emessi dei gas che sono pericolosi per la salute.

- Non saldare contenitori o tubi che contengono o hanno contenuto liquidi o gas infiammabili (pericolo d'incendio o esplosione).
- Non saldare materiali che sono stati puliti con liquidi altamente infiammabili o che hanno superfici dipinte (probabile emanazione di gas pericolosi).
- Non lavorare in ambienti umidi o bagnati e non saldare in condizioni di pioggia.
- Proteggere sempre i propri occhi con la maschera per saldatore in dotazione.
- Usare guanti ed abiti di protezione asciutti e non macchiati d'olio o sporco.
- Le scorie da staccare sono a volte incandescenti e possono causare gravi lesioni agli occhi durante la rimozione. Indossare sempre occhialini e guanti protettivi.
- La radiazione ultravioletta può bruciare la pelle durante la saldatura. Indossare quindi sempre indumenti protettivi adatti.
- La saldatrice è protetta contro i sovraccarichi. Essa dunque si spegne automaticamente in caso di sovraccarico. La saldatrice si riaccende automaticamente dopo essersi raffreddata a sufficienza.
- Durante la saldatura ed il raffreddamento il pezzo in lavorazione può deformarsi a causa di forze di tensione. Tenerne sempre conto.
- Utilizzare solo i cavi di saldatura inclusi nella fornitura (in gomma, Ø 10 mm²).
- Nelle zone a rischio di incendi ed esplosioni si applicano particolari normative.
- I giunti esposti a grandi sollecitazioni, e che devono rispondere a determinati requisiti di sicurezza, possono essere saldati solamente da saldatori appositamente specializzati ed autorizzati. Ad esempio: autoclave, guide di scorrimento, barre di rimorchio, ecc.
- Attenzione: Collegare sempre il terminale di messa a terra il più vicino possibile al giunto saldato, in modo che la corrente di saldatura possa prendere la via più breve dall'elettrodo al terminale di messa a terra. Non collegare mai il terminale di messa a terra alla scatola del saldatore. Non collegare mai il terminale a massa ad elementi a terra lontani dal pezzo, ad esempio un tubo dell'acqua posto in un altro angolo della stanza. In caso contrario potrebbe verificarsi il danneggiamento del sistema conduttore di terra della stanza dove avviene la saldatura.
- Le protezioni delle linee di alimentazione alle prese devono rispettare le normative (VDE 0100). Le prese con messa a terra devono

essere protette con massimo 16A - protezioni ed interruttori automatici - (modelli e dati tecnici: RT14-20, Ø 10 x 38, AC 400 V 16A. IEC 60269. Azionare il ritardatore. Produttore: Chint). Protezioni di tipo superiore potrebbero causare l'incendio del cavo e dei danni da incendio all'edificio.

Sicurezza elettrica



Spegnere immediatamente l'apparecchio in caso di:

Difetto nella presa di corrente o nel cordone di alimentazione e se il cavo è danneggiato.

- *L'interruttore è difettoso.*
- *Si vede del fumo o si sente odore di isolante bruciato.*



Attenzione! A seconda delle condizioni del punto di connessione alla rete elettrica, l'alimentatore del saldatore può causare interferenze sull'alimentazione di altre utenze. In caso di dubbio su tale questione richiedere consiglio all'autorità relativa alla fornitura di energia elettrica.

- Accertarsi che le connessioni dell'apparecchio di saldatura e di cablaggio elettrico siano effettuate in modo corretto. Qualsiasi possibilità di scossa elettrica rappresenta un pericolo di morte.
- Accertare sempre la bontà delle connessioni del porta elettrodo e del terminale di massa.
- Non lasciare che i cavi elettrici vengano danneggiati a causa di trazioni. Scollegare i cavi prima di spostare la saldatrice.
- Evitare il contatto con la parte elettricamente conduttrice della saldatrice, del porta elettrodo e del terminale di terra.
- Controllare sempre che la tensione di rete disponibile corrisponda al valore indicato sulla targhetta di riconoscimento dell'apparecchio.
- In caso di sostituzione di cavi o spine: gettare via i vecchi cavi o spine non appena sostituiti con i nuovi. L'inserimento in una presa di corrente di un cordone elettrico staccato è pericoloso.
- Per tutte le saldatrici funzionanti a 230 Volt usare un fusibile di almeno 16 Ampere
- Quando si fa uso di prolunghe elettriche: usare sempre cavi di prolunga approvati adatti alla potenza dell'apparecchio. I conduttori devono avere un diametro di almeno 1,5 mm². Srotolare completamente la prolunga se avvolta.

- I lavori relativi alla tensione di rete (su cavi, prese, spine ecc.) devono essere effettuati unicamente da personale elettrico specializzato.

3. Montaggio accessori



Accertarsi d'aver rimosso la spina dalla presa di corrente per il montaggio degli accessori.

Installazione dell'apparecchio

- Installare la saldatrice in uno spazio asciutto e pulito (scevro di polvere metallica, di polvere e vernici)
- Posizionare la saldatrice su una superficie solida e piana e ad almeno 20 cm di distanza dalla parete.
- Proteggere la saldatrice dalla pioggia e dalla luce solare diretta.

Maschera per saldature

Fig. 2

- Assemblare la maschera di saldatura fissando l'impugnatura con le viti in dotazione.
- Posizionare il vetro trasparente (vetro protettivo) davanti al vetro oscurato per saldatura. Posizionare gli occhiali all'interno della finestra e bloccarli.
- Accertarsi che i vetri siano posizionati in modo tale che nell'apertura non possa penetrare luce (dannosa).
- Sostituire il vetro protettivo trasparente quando la visione del pezzo trattato diventa insufficiente durante la saldatura. La sostituzione del vetro oscurato di saldatura è considerevolmente più costosa di quella del vetro trasparente di protezione.

Montaggio di nuovi elettrodi

L'elettrodo consiste di un nucleo metallico racchiuso in un rivestimento. Ad un'estremità dell'elettrodo il nucleo non è ricoperto dal rivestimento.

- Agire sul manico del porta elettrodo stringendo la molla.
- Mettere un elettrodo con l'estremità non rivestita (± 2 cm) nel porta elettrodo. Accertarsi che la parte non rivestita effettui un buon contatto con la parte metallica del porta elettrodo (che l'elettrodo non sia inserito troppo a fondo nel porta elettrodo).
- Rilasciare il manico della pinza. L'elettrodo è ora montato.



N.B! Non lasciare che l'elettrodo bruci fino ad accorciarsi oltre i 5 cm circa, per prevenire il surriscaldamento e/o la deformazione del porta elettrodo. In caso contrario l'elettrodo bruciato sarebbe di difficile rimozione.

Rimozione degli elettrodi usati

Agire sul manico del porta elettrodo stringendo la molla in modo che l'elettrodo bruciato possa cadere dal porta elettrodo.



N.B! Non rimuovere l'elettrodo dal porta elettrodo con la mano. L'elettrodo è arroventato!



N.B! Prestare attenzione al punto in cui l'elettrodo usato cade in modo da prevenire rischi d'incendio o possibili lesioni.



Avviso: leggere i manuali di istruzioni prima di utilizzare e sottoporre questa apparecchiatura a manutenzione.

Installazione

Fig. 4

La posizione iniziale dell'interruttore (2) è impostato su "OFF".

La macchina è dotata di 2 prese, con possibilità di commutazione tensione a 230V o a 400V.

- Con la presa VDE è possibile utilizzare la posizione a 230V. Per operare la saldatrice con tensione a 230V, collegare la presa VDE all'alimentazione di corrente a 230V, poi ruotare l'interruttore (2) da "OFF" alla posizione a 400V.
- Con la presa industriale a 5 pin è possibile utilizzarla a 400V. Collegare la presa industriale all'alimentazione di corrente a 400V, poi ruotare l'interruttore (2) da "OFF" alla posizione a 400V.

Si prega di notare quanto segue per evitare il rischio di incendi, scosse elettriche o lesioni personali:

- 1 Assicurarsi prima di utilizzare la saldatrice che la tensione nominale dell'unità corrisponda a quella dell'alimentazione. Attenzione: Rischio di incendio!
- 2 Scollegare il dispositivo dall'alimentazione prima di impostare la tensione nominale.
- 3 La regolazione della tensione nominale durante il funzionamento della saldatrice è proibita.

4. Funzionamento

Prima dell'uso:

- a. Informazioni generali sulla saldatura ad arco elettrico
- b. L'elettrodo
- c. Abiti protettivi
- d. Protezione facciale
- e. Ambiente di lavoro

a. Informazioni generali sulla saldatura ad arco elettrico

La temperatura dell'arco elettrico raggiunge approssimativamente 7.000° Celsius, in modo da fondere l'estremità dell'elettrodo e del pezzo in lavorazione. Finché l'arco viene mantenuto, l'elettrodo si fonde fornendo il materiale di saldatura necessario alle parti da saldare. La distanza tra l'elettrodo e il pezzo in lavorazione deve essere la più corta possibile (circa 1,5-4mm) a seconda del diametro e del tipo d'elettrodo. La corrente necessaria per la saldatura viene fornita dalla saldatrice. La potenza necessaria alla saldatrice dipende dal lavoro da effettuare. Accertarsi che gli elettrodi siano completamente asciutti, dato che gli elettrodi umidi causano problemi. Se l'elettrodo si attacca al pezzo in lavorazione durante la saldatura l'intensità di corrente usata è troppo bassa.

b. L'elettrodo

- L'elettrodo consiste di un nucleo metallico racchiuso in un rivestimento. Il rivestimento ha l'importantissima funzione di proteggere dall'ossigeno e dall'azoto dell'aria circostante il bagno di fusione e le gocce di apporto. L'elettrodo si fonde durante la saldatura. Una parte del rivestimento evapora creando uno schermo gassoso protettivo. Una parte del rivestimento galleggia sul bagno di fusione (essendo più leggero del metallo) proteggendo anche la saldatura in raffreddamento. Dopo il raffreddamento questo rivestimento diventa una scoria solida ma facilmente rimovibile sulla giuntura saldata.
- Manipolare gli elettrodi prestando attenzione a non rompere il rivestimento. Accertarsi che gli elettrodi siano totalmente asciutti, e conservarli in luoghi privi d'umidità.
- È estremamente importante utilizzare l'elettrodo giusto ai fini della bontà e della robustezza della giunzione saldata. Gli elettrodi universali saranno in molti casi adatti al lavoro da eseguire. Le confezioni degli elettrodi fanno menzione delle posizioni in cui è possibile effettuare le

saldature con gli elettrodi in esse contenuti (sopra la testa, verso il basso, ecc. tenendo conto della velocità di fusione dell'elettrodo). Sono disponibili in commercio degli elettrodi specifici per le saldature dei diversi tipi di acciaio inossidabile e di ghisa. Consultare il proprio fornitore circa l'acquisto dell'elettrodo giusto.

c. Abiti protettivi

Indossare abiti a copertura totale in modo che la probabilità di riportare bruciate della pelle a causa della radiazione ultravioletta o di schizzi di metallo sia ridotta al minimo. Indossare preferibilmente tute integrali in cotone, guanti da saldatore e scarpe di sicurezza. Accertarsi sempre che gli sversamenti di fusione non possano introdursi nei guanti o nelle scarpe.

Un grembiale (di pelle) da saldatore ferma le bruciate e il danneggiamento delle coperture da parte delle scintille.

d. Protezione facciale

Fig. 2

Utilizzare un buon vetro (oscurato) per saldature e con vetro protettivo. Accertarsi che entrambi i vetri siano montati in modo corretto (ben fissati e posizionati in modo da non lasciar passare la luce del sole).

La maschera per saldature protegge l'utilizzatore dalle radiazioni, il calore e gli schizzi di fusione emessi durante il processo di saldatura. Essa inoltre riduce l'inalazione dei fumi di saldatura. I raggi ultravioletti invisibili sono causa del cosiddetto "colpo d'arco", un'oftalmia da raggi che si sviluppa entro pochi secondi dopo avere guardato un arco elettrico.

Evitare gli effetti di questa radiazione e delle alte temperature sul viso e le altre parti esposte del corpo, come il collo e le braccia.

È fondamentale proteggersi dagli effetti pericolosi dell'arco elettrico: gli addetti ai lavori devono tenersi ad una distanza minima di 15m.

Aiutanti o persone che si trovano nei pressi dell'arco elettrico devono essere informati dei pericoli e dotati delle protezioni necessarie. Ove richiesto, erigere pareti di protezione.

e. Ambiente di lavoro

- Accertarsi che l'ambiente di lavoro sia ben ventilato. Durante la saldatura vengono emessi dei gas che sono pericolosi per la salute.
- Rimuovere tutti gli oggetti infiammabili dall'ambiente di lavoro. La saldatura causa

l'emanazione di scintille e metallo rovente.

- Accertarsi che nelle vicinanze del luogo di lavoro sia presente dell'acqua di raffreddamento. Non lasciare senza sorveglianza i pezzi in lavorazione (caldi) appena saldati nel luogo di lavoro. Raffreddare il pezzo lavorato prima di lasciare il luogo di lavoro.

Protezione da raggi e incendi

- Sul luogo di lavoro, apporre il cartello "Attenzione! Non guardare direttamente la fiamma!" per richiamare l'attenzione sul pericolo per gli occhi. I luoghi di lavoro devono essere protetti il più possibile, onde garantire la tutela delle persone che si trovano nelle immediate vicinanze. Gli estranei devono tenersi lontani dai lavori di saldatura.
- Nelle immediate vicinanze delle postazioni di lavoro permanenti, le pareti non devono essere di colore chiaro o lucenti. Le finestre devono essere protette fino all'altezza del capo dal passaggio o dal riflesso dei raggi, ad esempio mediante una vernice adeguata.

Messa in opera

Fig. 3

Suggerimento: prima di cominciare a saldare elementi difficili è bene eseguire delle prove su pezzi di prova.

- Accertare la pulizia del pezzo in lavorazione: rimuovere qualsiasi residuo di ruggine, grasso o vernice.
- Impostare l'intensità di corrente necessaria mediante la manopola sulla parte anteriore della saldatrice. La scelta dell'intensità di corrente dipende dal pezzo da lavorare e dal tipo di elettrodo usato.
- Posizionare la parte di elettrodo priva di rivestimento nel porta elettrodo e collegare il terminale di terra al pezzo in lavorazione.
- Accendere la saldatrice con l'interruttore generale.
- Mantenere la maschera per saldature davanti al viso e muovere la punta dell'elettrodo sul pezzo in lavorazione come se si stesse accendendo un fiammifero. Questa è la maniera migliore di instaurare un arco elettrico. Non battere l'elettrodo sul pezzo in lavorazione. Ciò danneggerebbe l'elettrodo e impedirebbe la creazione dell'arco elettrico.
- Dopo avere instaurato l'arco elettrico cercare di mantenere da subito una distanza regolare tra l'estremità dell'elettrodo e il pezzo in

lavorazione. Mantenere la distanza uguale al diametro dell'elettrodo. Mantenere la distanza il più possibile costante durante la saldatura.

- Muovere l'elettrodo con un movimento di trazione graduale sul pezzo in lavorazione.
- Mantenere l'elettrodo inclinato nella direzione del movimento con un angolo di 60° - 70° gradi tra l'elettrodo e il pezzo in lavorazione.
- Quando la giuntura saldata è stata eseguita, interrompere l'arco elettrico allontanando l'elettrodo dal pezzo in lavorazione.
- Spegnerne la saldatrice.



N.B. Se si lascia la saldatrice accesa è molto probabile che l'elettrodo faccia contatto (mediante il banco di lavoro) con il cavo di massa e cominci a saldare spontaneamente.

- Rimuovere le scorie dalla giuntura saldata con una martellina.



Prestare attenzione alle particelle di metallo rovente. Indossare sempre occhiali protettivi.

- Non saldare mai su residui di scorie: le scorie formano uno strato isolato e contaminato, cosa che determinerebbe una saldatura indebolita (detta inclusione di scoria).
- Spazzolare la saldatura con una spazzola metallica fino a ripulirla.



N.B. Il pezzo in lavorazione si trova ancora a temperatura molto elevata. Non lasciare il pezzo lavorato privo di sorveglianza.

Spia temperatura

Fig. 1

Quando la temperatura della saldatrice diventa troppo alta il termostato incorporato spegnerà l'apparecchio (la spia si accende). Il ventilatore incorporato raffredda l'apparecchio. Dopo il raffreddamento la lampada si spegne. È bene attendere un tempo sufficiente per il completo raffreddamento dell'apparecchio; in caso di saldatura intensiva sussiste un'elevata probabilità di spegnimento da parte del termostato entro pochi minuti.

5. Servizio & manutenzione



Assicurarsi che la macchina non sia in funzione mentre si effettuano operazioni di manutenzione sul motore.

Le macchine sono state progettate per funzionare per lunghi periodi di tempo, pur richiedendo interventi di manutenzione minimi. Un funzionamento continuo soddisfacente dipende dall'adeguata conservazione della macchina e da una pulizia regolare.

Guasti

Qualora la macchina non funzionasse correttamente, consultare l'elenco sottostante con tutte le possibili cause e rimedi:

La saldatrice non funziona

- Cattivo contatto del terminale di terra col pezzo in lavorazione
- Elettrodo non correttamente saldato nel porta elettrodo
- Controllo termico spento o protezione termica rotta.
- Fusibile bruciato (nel contatore)
- Cavo interrotto
- Interruttore difettoso/contattare il proprio fornitore .

L'elettrodo continua ad 'attaccarsi' al pezzo in lavorazione.

- Usare il giusto tipo di elettrodo (universale).
- Intensità di corrente troppo bassa/girare la manopola 3 in senso orario.

L'elettrodo è di colore rosso-arancio.

- Intensità di corrente troppo elevata per questo tipo di elettrodo/girare la manopola 3 in senso antiorario.

L'elettrodo schizza eccessivamente e fa molto rumore durante la saldatura

- Intensità di corrente troppo elevata/girare la manopola 3 in senso antiorario.

L'apparecchio è troppo caldo, la spia è accesa

- Le fessure di ventilazione sono ostruite/pulirle con un panno asciutto; attendere qualche minuto che la spia si spenga.



Le riparazioni e la manutenzione devono essere eseguite solo da personale qualificato o da un centro di assistenza.

SVETSAGGREGAT 55 - 160A

Pulizia

- Assicurarsi che le fessure di ventilazione siano libere dalla polvere e dallo sporco. Usare un panno morbido inumidito con acqua e sapone per rimuovere lo sporco più ostinato. Non usare solventi come petrolio, alcool o ammoniacca, ecc.
- Accertarsi che il porta elettrodo e il terminale di massa restino privi di corrosione in modo da poter assicurare un buon contatto elettrico.
- Controllare regolarmente che i cavi di saldatura e del pezzo in lavorazione siano fermamente collegati alle loro connessioni.

Lubrificazione

La macchina non richiede lubrificazioni aggiuntive.

Riparazioni e commercianti

Se si presentano problemi a causa di, per esempio, usura di una parte della sega, si prega di contattare il servizio di assistenza all'indirizzo riportato sulla scheda di garanzia.

Ambiente

Per evitare che si danneggi durante il trasporto, la macchina è imballata in un contenitore resistente. La maggior parte dei componenti dell'imballaggio sono riciclabili. Portare tali materiali presso gli appositi centri di riciclaggio.



Strumenti elettrici e/o elettronici difettosi o usurati devono essere smaltiti in appropriate aree di riciclaggio.

Soltanto per paesi CE.

Non smaltire gli elettrooutensili nei contenitori per rifiuti domestici. Ai sensi della Direttiva 2012/19/EU del Parlamento europeo in materia di Rifiuti da apparecchiature elettriche ed elettroniche e della relativa attuazione nell'ambito della legislazione nazionale, gli elettrooutensili inutilizzabili devono essere raccolti separatamente e smaltiti in modo ecocompatibile.

Garanzia

Le condizioni di garanzia sono espone nell'apposita scheda allegata a parte.

Siffrorna i texten nedan hänvisar till bilderna på sidorna 2 + 109



För din egen och andras säkerhet ska du läsa dessa instruktioner noga innan sågen används. Förvara bruksanvisningen och den medföljande dokumentationen tillsammans med sågen för framtida bruk.

Introduktion

Smältsvetsning används för att smälta arbetsstycket med tillförd värme. Vid elektrisk bågsvetsning används också svetsmaterial (elektroder). Svetssträngen uppstår efter stelning. Värmen som krävs fås genom att upprätthålla en elektrisk båge mellan elektroden och arbetsstycket. Svetsprocessen kräver hög strömstyrka (55-160 A) med relativt låg spänning (10-48 V). En transformator i svetsutrustningen ser till att sänka nätspänningen (400 V).

Apparaten är inte avsedd för industriellt bruk!

Innehåll

1. Maskindata
2. Säkerhetsföreskrifter
3. Montera tillbehör
4. Använda maskinen
5. Service & underhåll

1. Maskindata

Tekniska data

Spänning	230 / 400 V ~
Frekvens	50 Hz
Svetsström	55 / 140 A (230 V) / 160 A (400 V)
Tomgångsspänning	48 V / 230 V
Effektfaktor	0.62
Elektroddiameter	2 - 4 mm
Vikt	22.1 kg
Mått	56 x 32.5 x 40 cm
Värmskydd	105 °C (±5 °C)
Strömkabel	HO7RN-F 3x1.5 mm ² 2m
Svetskabel	HO1N2-D 1x16 mm ² 2m

Förpackningen innehåller

- 1 Svetsaggregat
- 1 Svetssskärm
- 1 Stålbörste/slagghacka
- 1 Bruksanvisning
- 1 Säkerhetsföreskrifter
- 1 Garantikort

Kontrollera att maskinen, de lösa delarna och tillbehören, inte har skadats under transporten.

Produktinformation

Fig. 1 & Fig. 2

1. Temperaturindikator
2. På/Av-knapp
3. Ratt för ströminställning
4. Svetskabel med elektrodhållare
5. Jordkabel med återledarklämma
6. Gummifot
7. Handtag
8. Ventilationsöppningar
9. Stålborste/slagghacka
10. Svetsskärm
11. Elektroder

Tabell: inställning och användning

Ø Electrode (mm)	Strömstyrka (A)	Lämpligt för, bland annat:
2	50-75	Materialjocklek 2-3 mm Reparation av väggstativ
2.5	70-100	Materialjocklek 4-5 mm Trädgårdsstaket, utomhusleksaker
3.2	95-150	Materialjocklek 6-7 mm Carport, garage
4	130-220	Materialjocklek 8-12 mm Konstruktion (kraftig)

2. Säkerhetsföreskrifter



Varning! Läs igenom bruksanvisningen.

Symbolernas betydelse



Anger att det föreligger risk för personskador, livsfara eller risk för skador på maskinen om instruktionerna i denna bruksanvisning inte efterlevs.



Anger risk för elektrisk stöt.



Ta omedelbart ut stickkontakten ur eluttaget om sladden har skadats samt när maskinen underhålls.



Förbipasserande får inte komma för nära.



Skydda emot regn.



Bär skyddsglasögon och hörselskydd.



Använd skyddshandskar.



Använd alltid svetsskärm under svetsning



Använd skyddskläder

EN60974-6

Standard för svetsutrustningar för manuell metallbågs svetsning med begränsad användning.

EMC klassificering i enlighet med IEC 60974-10



Elektrodhållare



Återledarklämma



Sjunkande spänning



Enfas transformator



Matarströmkrets, faser 1 eller 3 ~50 Hz



Elektroddiameter



Säkring 16A

I_{1max}

Maximal primär strömstyrka i ampere

I_2

Sekundär strömstyrka i ampere



Beräknad maximal svetsetid intermittert



Beräknad maximal svetsetid i kontinuerligt läge

IP21S

Skyddsklass. Kapslad för objekt upp till 12 mm och mot vertikalt fallande vattendropp. Funktionsstopp med vattenkontroll.

H	<i>Isolationsklass</i>
U⁰	<i>Beräknad spänning ej belastat</i>
U¹	<i>Beräknad matarspänning</i>
U²	Värden på konventionell belastningsspänning
I_{eff}	Maximal effektiv matarspänning

Allmänna säkerhetsföreskrifter för svetsutrustningar

- Den som ska använda maskinen måste ha lärt sig hur man använder och hanterar maskinen.
- Se till att arbetsplatsen är välbelyst och ordnad.
- Dra alltid ut stickkontakten ur nätuttaget innan underhåll utförs på maskinen.
- Dra ut stickkontakten ur nätuttaget när du lämnar maskinen.
- Använd inte maskinen innan du har monterat och installerat den som beskrivet i bruksanvisningen. Specifika säkerhetsföreskrifter för svetsutrustningar
- Svetsning orsakar gnistor och het metall. Kom ihåg att detta är en brandrisk, avlägsna alla lättantändliga föremål från arbetsområdet.
- Se till att arbetsplatsen är ordentligt ventilerad. Gaser som uppstår under svetsning är hälsofarliga.
- Svetsa inte behållare eller rör som innehåller brandfarliga vätskor eller gaser (risk för brand eller explosion).
- Svetsa inte material som har rengjorts med lättantändlig vätska eller material med målad yta (risk för att farliga gaser frigörs).
- Arbeta inte i en fuktig eller blöt omgivning och svetsa inte i regn.
- Skydda alltid dina ögon med den medföljande svetsmaskinen.
- Använd handskar och skyddskläder som är torra och inte nedsmutsade av olja eller smuts.
- Slaggen som ska avlägsnas är ibland glödhet och kan orsaka allvarliga ögonskador under borttagningen. Använd alltid skyddsglasögon och handskar.
- Ultraviolet strålning kan bränna huden när du svetsar. Använd därför alltid lämpliga skyddskläder.
- Din svetsutrustning är skyddad mot överbelastning. Utrustningen stängs därför av automatiskt om den överbelastas. Den startar igen automatiskt när den har kylts av tillräckligt.

- Under svetsning och avkyllning kan arbetsstycket deformeras på grund av spänningar. Tänk alltid på detta.
- Den får endast användas med den medföljande svetsledningen (Ø 10 mm² gummissvetsledning)
- I utrymmen där det finns risk för brand eller explosion gäller särskilda föreskrifter.
- Svetsfogar som utsätts för stora påfrestningar och måste följa särskilda säkerhetsföreskrifter får endast utföras av särskilt utbildade svetsare. Exempel: tryckluftskammare, hjulbanor, släpvagnskopplingar mm.
- Varning! Stäng jordledningen så nära svetsstället som möjligt så att svetsströmmen kan ta den kortast möjliga vägen från elektroden till jordledningen. Anslut aldrig jordledningen till svetsapparatens hus! Stäng aldrig jordledningen vid jordade delar som ligger långt från arbetsstycket som t.ex. ett vattenrör i andra änden av rummet. Annars kan det bli så att skyddsledarsystemet i rummet där du svetsar kan skadas.
- Säkringarna för matarledningen till vägguttaget måste följa gällande föreskrifter (VDE 0100). Det isolerade jorduttaget får max lösas ut med 16A (typ och tekniska data: RT14-20, Ø 10 x 38, AC 400 V 16A. IEC 60269. Spänningsutlösning. Tillverkare: Chint) (säkringar eller säkringsskydd). Större ampere på säkringen kan leda till brand i ledningarna dvs. brandskador i strukturen.

Elektrisk säkerhet



*Stäng omedelbart av maskinen om:
Det är fel på nätuttaget, strömkabeln,
eller om kabeln är skadad.*

- Strömbrytaren är trasig.
- Det ryker eller luktar bränd isolering.



*Varning! Beroende på elnätets förhållande
vid anslutningspunkten, kan svetsström-
källan orsaka störningar i
strömförsörjningen till andra elanvändare.
Vid tveksamheter angående detta bör du
fråga vederbörande elleverantör eller
myndighet.*

- Se till att anslutningen av svetsutrustningen och elkablar är rätt utförd. Risk för elstöt kan innebära livsfara.
- Säkerställ god anslutning av både elektrodhållaren och återledarklämman.

- Dra inte i elkablarna, de kan skadas. Koppla ur kablarna innan du flyttar svetsaggregatet.
- Undvik kontakt med den elektriskt ledande delen på svetsutrustningen, elektrodhållaren och återledarklämman.
- Kontrollera alltid att spänning i nätuttaget motsvarar värdet som anges på maskinens märkplåt.
- Vid byte av kablar eller kontakter: Kasta omedelbart bort gamla kablar eller kontakter så fort de har bytts ut. Det är farligt att stoppa in en lös stickkontakt i nätuttaget.
- Använd en säkring på minst 16 ampere för svetsutrustning som jobbar med 230 V.
- Om förlängningskabel används: Använd endast en godkänd förlängningskabel som passar maskinens effekt. Ledarna måste ha en diameter på minst 1,5 mm². Rulla ut kabeln helt om den är upprullad på en kabelvinda.
- Arbete vid nätspänningssidan, som exempelvis kablar, kontakter, eluttag osv. får endast utföras av fackmän.
- Tryck handtaget på elektrodhållaren mot fjädern.
- Stoppa in den obelagda änden (± 2 cm) på elektroden i elektrodhållaren. Kontrollera att den obelagda delen har god kontakt med metalldelen i elektrodhållaren (elektroden inte för långt inskjuten i elektrodhållaren).
- Släpp upp handtaget på hållaren. Elektroden är nu fixerad.



Obs! Bränn inte ned elektroden till mindre än ± 5 cm på grund av överhettning och/eller deformation av elektrodhållaren. Det kan annars vara svårt att ta loss elektroden.

Ta loss använda elektroder

Tryck handtaget på elektrodhållaren mot fjädern så att den nedbrända elektroden lossnar från hållaren.



Obs! Avlägsna inte elektroden från hållaren med handen. Elektroden är mycket varm!



Obs! Titta var de förbrukade elektroderna faller ned för att förhindra en brandfara och möjlig personskada.



Varning: Läs igenom bruksanvisningarna innan denna utrustning tas i drift eller ges service.

3. Montera tillbehör



Kontrollera att stickkontakten är utdragen ur nätuttaget under montering av tillbehör.

Installation av maskinen

- Installera svetsutrustningen på en torr och ren plats (fri från järnpulver, damm och färg).
- Placera utrustningen på ett stadigt och slätt underlag och minst 20 cm från väggen.
- Skydda svetsutrustningen mot regn och starkt solljus.

Svetskärmen

Fig. 2

- Montera svetsmasken innan handtaget fästs med de medföljande skruvarna.
- Placera det ljusa glaslet (skyddsglas) framför det mörka svetsglaslet. Placera glasen på insidan av fönstret och läs dessa.
- Se till att glasen är placerade så att inget (skadligt) ljus kan tränga in genom öppningen.
- Byt ut det ljusa skyddsglaslet när sikten inte är tillräcklig bra under svetsningen. Det är betydligt dyrare att byta ut det mörka skyddsglaslet än det ljusa skyddsglaslet.

Sätta in nya elektroder

Elektroden består av en metallkärna som är täckt av en beläggning. Kärnan i ena änden av elektroden är inte täckt med denna beläggning.

Installation

Fig. 4

Utgångspositionen för omkopplaren (2) är inställt på "OFF".

Maskinen har två kontakten, den kan användas med 230 V eller 400 V spänning.

- Med VDE-kontakten kan den endast användas i 230 V positionen. För att använda svetsaggregatet vid 230 V spänning, anslut VDE-kontakten till 230 V strömförsörjning, vrid sedan omkopplaren (2) från "OFF" till 230 V positionen.
- Med industrikontakten med fem stift kan den endast användas vid 400 V. Anslut industrikontakten till 400 V strömförsörjningen, vrid sedan omkopplaren (2) från "OFF" till 400 V positionen.

Notera följande för att undvika risken för brand , elektriska stötar eller personsador:

- 1 Se till att märkspänningen hos enheten matchar den hos strömkällan innan

- användning.
- 2 Koppla ifrån enheten från strömförsörjningen innan den nominella spänningen ställs in.
 - 3 Inställning av den nominella spänningen under drift av svetsen är förbjudet.

4. Använda maskinen

Före användning:

- a. Allmän information om elektrisk bågs svetsning
- b. Elektroden
- c. Skyddskläder
- d. Ansiktsskydd
- e. Arbetsmiljö

a. Allmän information om elektrisk bågs svetsning

Temperaturen i bågen uppgår till ungefär 7 000° Celsius, så att elektrodens ände och arbetsstycket smälter samman. Elektroden smälter så länge som bågen upprätthålls och avger nödvändigt svetsmaterial till de delar som ska förenas. Avståndet mellan elektroden och arbetsstycket ska vara så kort som möjligt (ungefär 1,5-4 mm), beroende på elektrodens diameter och typ. Nödvändig ström för svetsning tillhandahålls av svetsutrustningen. Utrustningens effektbehov beror på vilken typ av arbete som ska utföras. Se till att elektroderna är riktigt torra eftersom fuktiga elektroder kan orsaka problem. Strömstyrkan är för låg om elektroden fastnar i arbetsstycket under svetsning.

b. Elektroden

- Elektroden består av en metallkärna som är täckt av en beläggning. Beläggningens viktigaste funktion är att skydda smältbadet och de överförande dropparna mot syre och kväve i den omgivande luften. Elektroden smälter under svetsningen. En del av beläggningen förångas så att en skyddande gas uppstår. Del av beläggningen flyter på toppen av smältbadet (den är lättare än stål) och skyddar också svetsgodset under stelningen. Efter stelning blir beläggningen en solid men lättavlägsnad slagg på svetssträngen.
- Hantera elektroderna varsamt så att beläggningen inte går sönder. Se till att elektroderna är helt torra, förvara dem på en fuktfri plats.
- Det är mycket viktigt att använda rätt elektrod för att göra en bra och stark svetsfog. En universalelektrod är i de flesta fallen lämplig för ditt arbete.

Elektrodens förpackning nämner i vilka

positioner svetsning kan utföras med elektroden i fråga (ovanför huvudet, nedåt, etc. med hänsyn till hur fort elektroden smälter). Separata elektroder finns tillgängliga för svetsning av olika typer av rostfritt stål och gjutjärn. Kontakta din återförsäljare för köp av rätt elektrod.

c. Skyddskläder

Använd ordentligt täckande kläder så minimeras risken för att huden ska brännas av ultraviolet strålning eller metallstänk. Använd helst overall av bomull, svetshandskar och skyddsskor. Se till så att svetsstänk inte kommer in i handskar eller skor. Ett svetsförkläde (av läder) förhindrar att stänk och gnistor skadar overallen.

d. Ansiktsskydd

Fig. 2

Använd en bra svetssskärm med (mörkt) svetsglas och skyddsglas. Kontrollera att bägge glasen är riktigt monterade (väl fastsatta och släpper inte igenom solljus). Svetssskärmen skyddar svetsaren mot strålning, värme och svetsstänk som uppstår under svetsning. Den reducerar också inandningen av svetsrök. De osynliga ultravioletta strålarna orsakar så kallad svetsblänk. Detta uppstår redan efter ett par sekunder av att titta på den elektriska bågen. Undvik effekterna av denna strålning och höga temperaturer i ansiktet och andra utsatta kroppsdelar såsom halsen och armar. Skydda dig mot ljusbågens farliga effekt och se till att personer som inte ägnar sig åt arbetet håller sig på ett säkerhetsavstånd på minst 15 m från ljusbågen. Även personer som befinner sig i närheten av ljusbågen eller som assisterar måste göras uppmärksamma på faran och utrustas med nödvändig skyddsutrustning. Sätt upp skyddsväggar vid behov.

e. Arbetsmiljö

- Sörj för en arbetsmiljö med bra ventilation. Gaser som uppstår under svetsning är hälsofarliga.
- Avlägsna alla lättantändliga föremål från arbetsområdet. Svetsning orsakar gnistor och het metall.
- Se till att det finns kylvatten i närheten av arbetsområdet. Lämna inte arbetsplatsen utan tillsyn om det finns (heta) arbetsstycken som precis har svetsats. Kyl av arbetsstycket innan du lämnar arbetsplatsen.

Skydd mot strålning och brännskador

- Vid arbetsplatsen används skyltar med "Försiktighet! Se inte in i ljusbågen!" för att uppmärksamma på faran för ögonen. Arbetsplatsen måste i bästa mån avskärmas så att personer som befinner sig i närheten inte utsätts för fara. Obehöriga personer ska hålla sig utom räckhåll vid svetsarbeten.
- Vid fasta arbetsställen ska väggar inte vara målade i ljus färg eller vara glansiga. Fönster måste säkras mot att strålning tränger igenom eller studsar tillbaka, åtminstone i huvudhöjd, t.ex. genom särskild färg.

Börja använda

Fig. 3

Tips: Det är bättre att provsvetsa på en metallbit innan du börjar svetsa svåra arbetsstycken.

- Se till att arbetsstycket är rent: ta bort all rost, fett och rester av målarfärg.
- Ställ in nödvändig strömstyrka med ratten på framsidan av svetsutrustningen. Valet av strömstyrka beror på arbetsstycket och vilken typ av elektrod som används.
- Stoppa in den del av elektroden som inte har någon beläggning i elektrodhållaren och sätt fast återledarklämman i arbetsstycket.
- Slå på utrustningen med huvudströmbrytaren.
- Håll svetskärmens framför ditt ansikte och för elektrodens spets över arbetsstycket precis som om du skulle tända en tändsticka. Detta är det bästa sättet att tända svetsbågen. Slå inte elektroden mot arbetsstycket. Det kan skada elektroden och förhindrar att svetsbågen skapas.
- Försök att hålla samma avstånd mellan elektrodens spets och arbetsstycket när svetsbågen har skapats. Avståndet ska vara samma som elektrodens diameter. Under svetsningen ska detta avstånd hållas så konstant som möjligt.
- Rör elektroden över arbetsstycket i en jämn dragrörelse.
- Vinkel mellan elektroden och arbetsstycket ska vara mellan 60° och 70° i rörelseriktningen.
- Bryt svetsbågen när svetssträngen är gjord genom att avlägsna elektroden från arbetsstycket.
- Slå av svetsutrustningen.



Obs! Om du lämnar utrustningen påslagen är sannolikheten stor att elektroden får kontakt med jordkabeln (via arbetsbänken), och börjar svetsa av sig själv.

- Knacka bort slag från svetssträngen med en slagghacka.



Se upp för flygande heta metallbitar. Använd alltid skyddsglasögon.

- Svetsa aldrig på slaggreter: slaggen bildar ett isolerade och förorenat lager, och medför att svetsfogen försvagas (så kallad slagginneslutning).
- Borsta rent svetssträngen med en stålborste.



Obs! Arbetsstycket har fortfarande en mycket hög temperatur. Lämna inte det varma arbetsstycket utan tillsyn.

Temperaturindikator

Fig. 1

Den inbyggda termostaten slår av när temperaturen i svetsutrustningen är för hög (indikatorlampan tänds). Maskinen kyls ned av den inbyggda fläkten. Efter avkyllning släcks lampan igen. Ge helst maskinen tillräckligt med tid att kyla ned; under intensiv svetsning är sannolikheten stor att överhettningsskyddet löser ut igen efter några minuter.

5. Service & underhåll



Tillse att maskinen inte är spänningsförande när underhållsarbeten utförs på de mekaniska delarna.

Maskiner har konstruerats för att under lång tid fungera problemfritt med ett minimalt underhåll. Genom att regelbundet rengöra maskinen och hantera den på rätt sätt bidrar du till en lång livslängd för din maskin.

Brister

Om maskinen inte skulle fungera kan nedanstående möjliga orsaker och lämpliga lösningar vara till hjälp:

Svetsutrustningen fungerar inte

- Återledarklämman har inte bra kontakt med arbetsstycket
- Elektroden sitter inte fast rätt i hållaren
- Termiska kontrollen är avstängd eller termiska skyddet är trasigt.
- Säkringen är defekt (i mätarhuset)
- Kabeln är trasig
- Strömbrytaren är defekt/kontakta din

återförsäljare

Elektroden fortsätter att "fastna" i arbetsstycket

- Använd rätt typ av elektrod (universal).
- För låg strömstyrka/vrid ratt 3 medurs

Elektroden är orange-röd

- För hög strömstyrka för denna typ av elektrod/vrid ratt 3 moturs

Elektroden stänker överdrivet och låter mycket under svetsning.

- För hög strömstyrka/vrid ratt 3 moturs

Maskinen är för varm; indikatorlampan lyser

- Ventilationsöppningarna är blockerade/rengör dem med en ren trasa; vänta några minuter tills lampan slocknar igen



läs alltid säkerhetsinstruktionerna och respektera gällande föreskrifter.

Rengöring

- Se till att ventilationsöppningarna är fria från damm och smuts. Använd en mjuk trasa fuktad med tvålatten om du behöver ta bort envisa fläckar. Använd inte lösningsmedel såsom bensin, alkohol, ammoniak etc.
- Se till att hålla elektrodhållaren och återledarklämman fria från rost så att de kan fortsätta ge bra elektrisk kontakt.
- Kontrollera regelbundet att svetskabeln och återledarkabeln är ordentligt anslutna i sina kontakter.

Smörjning

Maskinen behöver ingen extra smörjning.

Fel

Kontakta servicestället som anges på garantibeviset om ett fel uppstår, t.ex. på grund av en del som är nedsliten. I slutet av den här bruksanvisningen finns en sprängskiss över de delar som kan beställas.

Driftstörningar

För att undvika transportskador levereras maskinen i en så stadig förpackning som möjligt. Förpackningen har så långt det är möjligt tillverkats av återvinningsbart material. Ta därför tillvara möjligheten att återvinna förpackningen.



Skadade och/eller kasserade elektriska och elektroniska apparater ska lämnas in enligt gällande miljöregler.

Endast för EU-länder

Släng inte elverktyg i hushållsavfallet. Enligt det europeiska WEEE-direktivet 2012/19/EU för avfall från elektrisk och elektronisk utrustning och dess tillämpning nationellt ska elverktyg som inte längre kan användas samlas in separat och kasseras på ett miljövänligt sätt.

Garanti

Garantivillkoren framgår av det separat bifogade garantikortet.

SÄHKÖHITSAUSKONE 55 - 160A

Tekstin numerot viittaavat kaavioihin sivuilla 2 + 109



Lue nämä käyttöohjeet huolellisesti ennen tämän laitteen käyttämistä oman turvallisuutesi ja muiden henkilöiden turvallisuuden vuoksi. Säilytä tämä ohjekirja ja koneen mukana toimitetut asiakirjat tulevaa käyttöä varten.

Johdanto

Sulahitsausmenetelmässä työkappaleen materiaalia sulatetaan tuodun lämmön avulla. Kaarihitsauskoneessa hyödynnetään myös hitsimateriaalia (elektrodeja). Hiitsi syntyy kiinteytymisen myötä. Tarvittava lämpö saadaan aikaan sähkökaarella elektrodin ja työkappaleen välillä. Hitsauksessa tarvitaan suurta virtaa(55-160 A) käyttäen suhteellisen matalaa jännitettä (10–48 V). Hitsauslaitteen muuntaja alentaa verkkojännitteen (400 V).

Laitte ei sovellu ammattikäyttöön!

Sisältö

1. Laitteen tiedot
2. Turvaohjeet
3. Lisävarusteiden kiinnitys
4. Käyttö
5. Huolto ja kunnossapito

1. Laitteen tiedot

Tekniset tiedot

Verkkojännite	230 / 400 V ~
Taajuus	50 Hz
Hitsausvirta	55 / 140 A (230 V) / 160 A (400 V)
Tyhjäkäyntijännite	48 V / 230 V
Virtakerroin	0.62
Elektrodien läpimitta	2 - 4 mm
Paino	22.1 kg
Mitat	56 x 32.5 x 40 cm
Lämpösuojaus	105 °C (±5 °C)
Virtajohto	HO7RN-F 3x1.5 mm ² 2m
Hitsauskaapeli	HO1N2-D 1x16 mm ² 2m

Pakkauksen sisältö

- 1 Hitsauslaite
- 1 Hitsausmaski
- 1 Teräsharja/kuonavasara
- 1 Käyttöopas
- 1 Turvaohjeet
- 1 Takuukortti

Tarkista, että kone, irto-osat ja varusteet eivät ole vaurioituneet kuljetuksen aikana.

Tuotetiedot

Kuva 1 & Kuva 2

1. Lämpötilan varoitusvalo
2. Virtakytkin
3. Virran säätönuppi
4. Hitsauskaapeli ja puikonpidin
5. Maadoituskaapelin ja kiinnike
6. Kumitassu
7. Kahva
8. Tuuletusaukot
9. Teräsharja/kuonavasara
10. Hitsausmaski
11. Hitsauspuikot

Taulukko: säädöt ja käyttötarkoitus

Ø Puikko (mm)	Virta (A)	Käyttökohde (esim.):
2	50-75	Ainevahvuus 2 - 3 mm Hyllyn korjaus
2.5	70-100	Ainevahvuus 4 - 5 mm Teräskaiheet, puutarhatyökalut
3.2	95-150	Ainevahvuus 6 - 7 mm Portti, autotalli
4	130-160	Ainevahvuus 8 - 12 mm Rakenteet (raskaat)

2. Turvaohjeet



Varoitus! Lue käyttöohje.

Symbolien selitys



Osoittaa loukkaantumisvaaran, hengenvaaran tai työkalun vaurioitumisriskin, jos tämän oppaan ohjeita ei noudateta.



Osoittaa sähköiskuvaaran.



Irrota pistotulppa välittömästi pistorasiasta, jos johto vaurioituu tai jos laitetta aletaan huoltaa.



Älä päästä ulkopuolisia lähelle laitetta.



Ei saa käyttää sateessa.



Käytä suojalaseja ja kuulonsuojaimia.



Käytä suojakäsineitä.



Käytä hitsauksessa aina hitsausmaskia



Käytä suojaavaa vaateusta

EN60974-6 Standardi metallien manuaalisen kaarihitsaukseen laitteille, joilla on rajallinen takuu.

EMC-luokitus on IEC 60974-10:n mukainen



Puikonpidin



Maadoitusnapa



Jännite laskee



Yksivaihemuuntaja



Syöttöpiiri, vaiheet 1 tai 3 ~50 Hz



Puikon halkaisija



Sulake 16A



I_{1 max} Ensiöpiirin enimmäisvirta (Ampeeria)



I₂ Toisiopiirin virta (Ampeeria)



Nimellinen enimmäishitsausaika jaksottaisessa



Nimellinen enimmäishitsausaika jatkuvassa käytössä

IP21S Suojausluokka. Tiivis yli 12 mm kokoisille esineille ja pystysuorille vesiroiskeille. Vesisuojuuksessa pysäytystoiminto.

H Eristysluokka

U₀ Nimellinen kuormittamaton jännite

U₁ Nimellinen syöttöjännite

U₂ Tavallisen kuormitusjännitteen arvot

I_{eff} Suurin mahdollinen tehollinen syöttövirta

Hitsauslaitteiden yleiset turvaohjeet

- Koneen käyttäjän on opeteltava koneen käyttö.
- Huolehdi työtilan valaistuksesta ja puhtaudesta.
- Irrota aina pistoke pistorasiasta ennen huoltotoimia.
- Irrota pistoke pistorasiasta, kun poistut koneen luota.
- Älä käytä konetta, ennen kuin olet koonnut ja asentanut sen käyttöohjeen mukaisesti.

Hitsauslaitteiden erityiset turvaohjeet

- Hitsaaminen aiheuttaa kipinöitä ja metallin kuumenemistä. Muista, että tämä aiheuttaa palovaaran. Poista kaikki syttyvät esineet työtilasta.
- Varmista työtilan riittävä ilmanvaihto. Hitsauskaasut ovat terveydelle haitallisia.
- Älä hitsaa säiliöitä tai putkia, joissa on tai on ollut palavia nesteitä tai kaasuja (palo- ja räjähdysvaara).
- Älä hitsaa materiaaleja, jotka on puhdistettu herkästi syttyvillä nesteillä tai joiden pinnat on maalattu (vaarallisten kaasujen kehittymsvaara).
- Älä työskentele kosteassa tai märässä ympäristössä äläkä hitsaa sateessa.
- Suojaa aina silmäsi mukana toimitettavalla hitsausmaskilla.
- Käytä suojakäsineitä ja suojaavaa vaateusta, jotka ovat kuivat eikä niissä ole öljyä tai likaa.
- Irrotettava kuona voi olla hehkuvan kuumaa ja se voi aiheuttaa vakavia silmävaurioita irrotettaessa. Käytä aina suojalaseja ja -käsineitä.
- Ultraviolettisäteily voi aiheuttaa ihon palamista hitsaamisen aikana. Käytä siksi aina sopivia suojavaatteita.
- Hitsauslaitteessa on ylikuormitussuoja. Ylikuormitustilanteessa laite kytkeytyy pois päältä. Hitsauslaite käynnistyy automaattisesti uudelleen, kun se on jäähtynyt riittävästi.
- Työkappale voi muuttaa muotoaan hitsauksen ja jäähtymisen aikana. Ota tämä huomioon.
- Käytä vain mukana toimitettuja hitsausjohtoja (Ø 10 mm² kuminen hitsausjohto).

- Tulipalo- ja räjähdysvaarallisia alueita koskevat erityiset määräykset.
- Sellaiset hitsausliitokset, jotka joutuvat alttiiksi suurelle rasitukselle ja joiden tulee täyttää tietyt turvallisuusvaatimukset, saa luoda ainoastaan erityisesti koulutetut ja päteviksi todetut hitsaajat. Esimerkkejä ovat: painekattilat, liukukiskot, perävaunun kytkennät jne.
- Huomautus: Kytke nipistin aina mahdollisimman lähelle hitsauspaikkaa, jotta hitsausvirralla on mahdollisimman lyhyt matka elektrodista nipistimeen. Älä milloinkaan kytke nipistintä hitsauslaitteen koteloon! Älä milloinkaan kytke nipistintä kaukana työstettävästä kappaleesta sijaitseviin maadoitettuihin osiin, esim. huoneen toisella puolella sijaitsevaan vesiputkeen. Muussa tapauksessa hitsausluoneen suojajohdinjärjestelmä voi vaurioitua.
- Pistorasioiden tulokaapeleiden suojausten tulee olla määräysten mukaiset (VDE 0100). Suojakosketinpistorasiat saa suojata max 16 A:n (tyypit ja tekniset tiedot: RT14-20, Ø 10 x 38, AC 400 V 16A. IEC 60269. Hitaasti laukeava. Valmistaja: Chint) varokkeilla tai johdonsuojajytkimillä. Voimakkaammat suojaukset voivat sytyttää johdon palamaan tai aiheuttaa rakennukseen palovaurioita.
- Kun vaihdat johtoja tai liittimiä: Heitä aina vanhat kaapelit ja pistokkeet pois, jos ne on korvattu uusilla. Väljentyneen pistokkeen käyttäminen on vaarallista.
- Käytä 230 voltin hitsauslaitteiden kanssa vähintään 16 A sulaketta.
- Jatkojohtoja käytettäessä on huomioitava: Käytä vain koneen teholuokitukseen sopivaa jatkojohtoa. Johtimien poikkileikkauksen on oltava vähintään 1,5 mm². Vedä rullalla oleva jatkojohto kokonaan ulos.
- Jätä verkkojännitepuoleen – kaapelit, pistokkeet, pistorasiat jne. – kohdistuvat työt sähköalan ammattilaisen tehtäväksi.

3. Lisävarusteiden kiinnitys



Varmista, että pistoke on irrotettu pistorasiasta, kun kiinnität lisälaitteita.

Koneen asennus

- Asenna hitsauslaite kuivassa ja puhtaassa tilassa (jossa ei ole teräs- tai muuta pölyä tai maalia).
- Aseta hitsauslaite lujalle ja vaakasuorassa olevalle pinnalle vähintään 20 cm etäisyydelle seinästä.
- Suojaa hitsauslaite sateelta ja voimakkaalta auringonvalolta.

Hitsausmaski

Kuva 2

- Kokoa hitsausmaski kiinnittämällä kahva mukana toimitetuilla ruuveilla.
- Aseta valolasi (suojalasi) tumman hitsauslasin eteen. Aseta lasti ikkunan sisäpuolelle ja lukitse ne.
- Varmista, että molemmat lasit estävät (vahingollisen) valon tulemisen aukosta.
- Vaihda valolasi, kun työkappale ei enää näy kunnolla hitsatessa. Tumman hitsauslasin vaihtaminen on selvästi kalliimpaa kuin valolasin vaihto.

Uuden puikon kiinnittäminen

- Puikko koostuu metalliyhtimestä, joka on pinnoitettu. Puikon toisessa päässä ei ole pinnoitetta.
- Paina puikonpitimen kahvaa jousta vasten.
 - Aseta puikon pinnoittamaton pää (± 2 cm) puikonpitimeen. Varmista, että pinnoittamaton osa saa hyvän kosketuksen puikonpitimen metalliosasta (puikko ei saa olla liian syvällä pitimessä).
 - Vapauta kahva. Puikko on nyt kiinnitetty.

Köturvallisuus



Kytke heti virta koneesta, jos:

- verkkopistokkeessa tai virtajohdossa on vika tai johto vahingoittuu.
- kytkin on viallinen.
- Savua kehittyy tai haistat eristeen palavan.



Varoitus! Verkkoiliännän tilasta riippuen hitsauskoneen virtalähteen kytkeminen voi aiheuttaa häiriötä muihin sähkölaitteisiin. Jos tästä on epäilystä, kysy lisätietoja sähköyhtiöltä.

- Varmista, että hitsauslaitteen sähkökytkennät on tehty oikein. Vähänsinkin sähköiskun mahdollisuus voi olla hengenvaarallinen.
- Varmista aina hyvä kytkentä sekä puikonpitimessä että maadoitusliittimessä.
- Älä vahingoita sähköjohtoja vetämällä. Irrota johdot, ennen kuin siirät hitsauslaitetta.
- Vältä koskettamasta hitsauslaitteen sähköä johtavia osia, puikonpidintä ja maadoitusliittintä.
- Varmista, että verkkojännite vastaa koneen tyyppikilven arvoa.



HUOM! Älä anna puikon palaa lyhyemmäksi kuin 5 cm puikonpitimen kuumentamisen ja/tai muodonmuutoksen välttämiseksi. Loppuun palanutta puikkoa on vaikea irrottaa.

Käytetyn puikon irrotus

Paina puikonpitimen kahvaa jousta vasten, jotta käytetty puikko pääsee putoamaan pitimestä.



HUOM! Älä irrota puikkoa käsin pitimestä. Puikko on erittäin kuuma.



HUOM! Varmista, ettei putoava käytetty puikko sytytä mitään.



Varoitus: Lue käyttöohjeet ennen laitteiston käyttöä ja huoltoa.

Asennus

Kuva 4

Kytkimen (2) alkuasennoksi on asetettu OFF. Koneessa on kaksi 2 pistoketta ja sitä voidaan käyttää 230 V:n tai 400 V:n jännitteellä.

- VDE-pistokkeella sitä voidaan käyttää vain 230 V:lla. Kun haluat käyttää hitsausta 230 V:n jännitteellä, liitä VDE-pistoke 230 V:n sähkönsyöttöön ja käännä kytkin (2) OFF-asennosta 230 V:n asentoon.
- 5-napaisella teollisuuspistorasialla sitä voidaan käyttää vain 400 V:lla. Liitä teollisuuspistoke 400 V:n sähkönsyöttöön ja käännä kytkin (2) OFF-asennosta 400 V:n asentoon.

Huomioi seuraava tulipalon, sähköiskun tai henkilövaurioiden välttämiseksi:

- 1 Varmista ennen hitsauslaitteen käyttöä, että yksikön nimellisjännite vastaa virtalähdettä.
- 2 Irrota laite virransyötöstä ennen nimellisjännitteen asetusta.
- 3 Nimellisjännitettä ei saa säätää hitsauksen aikana.

4. Käyttö

Ennen käyttöä:

- a. Yleistä kaarihitsauksesta
- b. Puikko
- c. Suojaavat vaatteet
- d. Kasvojen suojaaminen
- e. Työympäristö

a. Yleistä kaarihitsauksesta

Kaaren lämpötila voi olla jopa 7000 °C, joten puikon pää sulaa yhteen työkappaleen kanssa. Kaaren palaessa puikko sulaa ja hitsausainetta siirtyy yhteen liitettäviin osiin. Puikon ja työkappaleen on oltava mahdollisimman lähellä toisiaan (noin 1,5 - 4 mm) puikon halkaisijan ja tyypin mukaan. Hitsaukseen tarvittava virta saadaan hitsauslaitteesta. Hitsauslaitteen ottama teho määräytyy tehtävän työn mukaan. Varmista, että puikot ovat täysin kuivat, koska kosteus aiheuttaa ongelmia. Jos puikko takertuu työkappaleeseen hitsauksen aikana, käytetty virta-asetus on liian pieni.

b. Puikko

- Puikko koostuu metalliytimeestä, joka on pinnoitettu. Pinnoitteen tärkein tehtävä on suojata hitsausaluetta ja siirtyviä pisaroita ympäröivän ilman hapelta ja typeltä. Puikko sulaa hitsauksen aikana. Osa pinnoitteesta kaasuuntuu muodostaen kaasusuojan. Osa pinnoitteesta kelluu hitsisulassa (terästä kevyempänä) ja suojaa siten myös jäähtyvää hitsiä. Jäähdyttyään pinnoite muuttuu kiinteäksi, mutta helposti irrotettavaksi kuonaksi hitsausmalla.
- Käsittele puikkoja huolellisesti, jotta pinnoite ei murru. Varmista puikkojen kuivana pysyminen säilyttämällä ne kuivassa paikassa.
- Hyvän ja vahvan hitsisauman edellytys on oikean puikon käyttäminen. Useimmissa tapauksissa voidaan käyttää yleispuikkoa. Puikkopakkausessa ilmoitetaan, missä asennoissa sillä voidaan hitsata (pään yläpuolella, alaspäin tms. ottaen huomioon puikon sulamisnopeus). Erilaisia puikkoja voidaan hankkia ruostumattoman teräksen ja valuraudan hitsaamista varten. Kysy myyjältä sopivaa puikkoa.

c. Suojaavat vaatteet

Käytä peittävää vaateetusta, jotta vältyt ultraviolettisäteilyn tai sulan metalliroiskeiden aiheuttamilta palovammoilta.

Suosittelavia ovat puuvillahaalarit, hitsauskäsineet ja turvajalkineet. Varmista, etteivät hitsausroiskeet pääse käsineisiin tai kenkiin. (Nahkainen) hitsausesiiliini estää kipinöiden ja tulen pääsyn haalareille.

d. Kasvojen suojaaminen

Kuva 2

Käytä hyvää hitsausmaskia, jossa on (tumma) hitsauslasi ja suojalasi. Tarkista, että molemmat lasit on kiinnitetty oikein (tiiviisti, jotta valoa ei pääse ohi).

Hitsausmaski suojaa hitsaajaa säteilyltä, kuumuudelta ja hitsausroiskeilta hitsauksen aikana. Maski vähentää myös hitsaushöyryjen hengittämistä.

Näkymätön ultraviolettisäteily aiheuttaa ihon punoitusta. Tämä voi syntyä jo muutamassa sekunnissa valokaarta katsottaessa.

Suojaudu säteilyltä ja korkeilta lämpötiloilta kasvojen ja muiden esillä olevien osien, kuten kaulan ja käsivarsien, alueella.

Suojaudu valokaaren vaarallisilta vaikutuksilta ja pidä työhön osallistumattomat henkilöt vähintään 15 m:n etäisyydellä valokaaresta.

Myös valokaaren läheisyydessä olevien henkilöiden ja avustajien tulee olla tietoisia vaaroista ja heillä tulee olla tarvittavat suojavarusteet. Tarvittaessa on asennettava suojaseinät.

e. Työympäristö

- Huolehdi työtilan ilmanvaihdosta. Hitsauskaasut ovat terveydelle haitallisia.
- Poista työtilasta kaikki syttyvät esineet. Hitsaaminen aiheuttaa kipinöitä ja metallin kuumenemista.
- Varmista, että työtilassa on jäähdytysvettä. Älä jätä juuri hitsattua (kuumaa) työkalua paikalleen. Jäähdytä työkalua, ennen kuin poistut työtilasta.

Suojautuminen säteilystä ja palovammoilta

- Aseta työskentelyalueelle kyltti "Varo! Älä katso liekkiä!" merkiksi silmiin kohdistuvasta vaarasta. Työskentelyalueet tulee mahdollisuuksien mukaan suojata suojaesineillä lähitöillä olevien henkilöiden suojaamiseksi. Asiattomat henkilöt on pidettävä loitolla hitsausalueesta.
- Kiinteiden työskentelyalueiden välittömässä läheisyydessä olevat seinät eivät saa olla kirkkaan värisiä tai kiiltäviä. Ikkunat on suojattava vähintään pään korkeudelle saakka säteiden läpi pääsemisen ja takaisin heijastumisen estämiseksi, esim. sopivalla maalikerroksella.

Käytön aloitus

Kuva 3

Vihje: Ennen vaikeiden työkalujen hitsaamista kannattaa hitsata helpompia koekappaleita.

- Puhdista työkalu: poista ruoste, rasva ja maalijäämät.

- Säädä virta hitsauslaitteen etuosassa olevasta nupista. Virran voimakkuus määräytyy työkalusta ja käytetystä puikosta.
- Aseta puikon pinnoittamaton pää puikonpitimeen ja kytke maadoitusliitin työkaluun.
- Kytke hitsauslaitteeseen virta pääkytkimestä.
- Pidä hitsausmaski kasvoillasi ja liikuta puikon kärkeä työkalulla siten, kuin sytyttäisit tulitikut. Tämä on paras tapa sytyttää hitsauskaari. Älä iske työkalua puikolla. Puikko voi vahingoittaa ja vaikeuttaa hitsauskaaren syttymistä.
- Kun valokaari syttyy, yritä heti pitää puikon kärjen ja työkalun välinen etäisyys vakiona. Puikon halkaisijan mitta on hyvä etäisyys. Pidä etäisyys mahdollisimman vakaana hitsauksen aikana.
- Liikuta puikkoa hitaasti vetäen työkaluun pinnalla.
- Pidä puikon ja työkalun välinen kulma 60° - 70° välillä liikkeen suunnassa.
- Kun hitsisauma on valmis, katkaise kaari vetämällä puikko irti työkalusta.
- Kytke virta pois hitsauslaitteesta.



Huom. Jos jätät virran päälle, on todennäköistä, että puikko osuu (työtilineen kautta) maadoitusjohtoon ja sytyttää valokaaren.

- Poista kuona hitsausmaasta kuonavasaran avulla.



Varo kuumia sinkoilevia metallisiruja. Käytä aina suojalaseja.

- Älä koskaan hitsaa kuonan päälle: kuona muodostaa eristävän ja huonolaatuisen kerroksen, jolloin tuloksena on heikko sauma (kuonasuulkeuma).
- Harjaa sauma puhtaaksi teräsharjalla.



Huom. Työkalu on edelleen erittäin kuuma. Älä jätä kuumaa työkalua ilman valvontaa.

Lämpötilan varoitusvalo

Kuva 1

Jos hitsauslaitteen lämpötila nousee liiaksi, sisään rakennettu termostaatti kytkee pois virran (varoitusvalo syttyy). Sisäänrakennettu tuuletin jäähdyttää koneen. Lamppu sammuu, kun laite on

jäähtynyt riittävästi.

Anna koneen jäähtyä riittävästi. Voimakkaalla virralla hitsatessa on todennäköistä, että muutoin termostaatti katkaisee virran uudelleen muutaman minuutin kuluttua.

5. Huolto ja kunnossapito



Irrota aina kone virtalähteestä ennen huollon aloittamista.

Koneet on suunniteltu toimimaan pitkään ja mahdollisimman pienellä huoltotarpeella. Puhdistamalla ja käyttämällä sitä oikealla tavalla voit itekin vaikuttaa koneen käyttöikään.

Viat

Jos kone ei toimi oikein, tarkista alla oleva luettelo, joka sisältää mahdollisia syitä ja niiden ratkaisuja:

Hitsauslaite ei toimi

- Maadoitusliittimen kosketus työkappaleeseen on huono
- Puikko ei ole oikein pitimessään
- Lämmönsäätö kytketty pois tai lämpösuojaus hajoa.
- Viallinen sulake (sulaketaulussa)
- Johto on vioittunut
- Kytkin on viallinen / ota yhteys jälleenmyyjään

Puikko takertuu jatkuvasti työkappaleeseen

- Käytä oikean tyyppistä puikkoa (yleis-)
- Virta-asetus liian pieni / kierrä nuppia 3 myötöpäivään

Puikko on punahekuinen

- Virta-asetus liian suuri kyseisen tyyppiselle puikolle / kierrä nuppia 3 vastapäivään

Puikko roiskii paljon ja pitää kovaa ääntä hitsatessa

- Virta-asetus liian suuri / kierrä nuppia 3 vastapäivään

Kone on liian kuuma, merkkivalo palaa

- Tuuletusaukot ovat tukkeutuneet / puhdista aukot kuivalla kankaalla. Odota muutama minuutti, että lamppu sammuu



Korjaukset on aina teetettävä valtuutetussa huoltoliikkeessä.

Puhdistaminen

- Varmista, että tuuletusaukot eivät tukkeudu. Käytä tiukasti kiinnittyneeseen liikaan pehmeää saippuaveteen kostutettua kangasta. Älä käytä liuottimia, kuten bensiiniä, alkoholia tai ammoniakkaa.
- Pidä huolta, ettei puikonpitimeen tai maadoitusliittimeen muodostu ruostetta hyvän sähköisen yhteyden varmistamiseksi.
- Tarkista säännöllisesti, että hitsaus- ja maadoitusjohdot ovat tiukasti kiinni liittimissään.

Voitelo

Konetta ei tarvitse voidella.

Viat

Jos kone vikaantuu esimerkiksi osan kulumisen johdosta, ota yhteys takuukortin huoltopisteeseen. Tämän käyttöoppaan takasivulla on hajotuskuva, jossa on lueteltu tilattavissa olevat osat.

Ympäristö

Kuljetusvaurioiden välttämiseksi kone on pakattu tukevaan laatikkoon. Tämä pakkaus on mahdollisimman ympäristöystävällinen. Kierrätä se.



Vioittuneet tai käytöstä poistettavat sähkölaitteet on toimitettava asianmukaiseen kierrätyspisteeseen.

Vain EC-maille

Älä hävitä sähkölaitteita kotitalousjätteen mukana. Sähkö- ja elektroniikkaromua koskevan EU-standardin 2012/19/EU ja vastaavien paikallisten lakien mukaisesti käytetyt sähkölaitteet on hävitettävä erilliskeräyksessä ympäristöystävällisesti.

Takuu

Lue takuuehdot koneen mukaan liitetystä takuukortista.

BUESVEISEMASKIN 55 - 160A

Tallene i teksten henviser til diagrammene på side 2 + 109



For din egen og andres sikkerhets skyld anbefaler vi at du leser denne bruksanvisningen nøye før du bruker denne sagen. Oppbevar denne bruksanvisningen og dokumentasjonen som kom sammen med sagen for fremtidig referanse.

Innledning

Smeltesveisingsprosessen brukes til å smelte arbeidsstykket under påvirkning av tilført varme. Med elektrisk buesveising brukes også sveisemateriale (elektroder). Sveisen oppstår etter størkning.

Nødvendig varme oppnås med en elektrisk bue mellom elektroden og arbeidsstykket. Sveiseprosessen krever sterk strøm (55-160 A) med relativ lav spenning (10–48 V). En transformator i sveiseapparatet sørger for senking av nettspenningen (400 V).

Apparatet egner seg ikke til ervervsmessig bruk!

Innhold

1. Maskinformasjon
2. Sikkerhetsinstruksjoner
3. Montering av tilbehør
4. Bruk
5. Service og vedlikehold

1. Maskinformasjon

Tekniske spesifikasjoner

Spenning	230 /400 V ~
Frekvens	50 Hz
Sveisekraft	55 / 140 A (230 V) / 160 A (400 V)
Ikke-belastning spenning	48 V / 230 V
Strømfaktor	0.62
Diameter elektroder	2 - 4 mm
Vekt	22.1 kg
Dimensjoner	56 x 32.5 x 40 cm
Termisk beskyttelse	105 °C (±5 °C)
Strømledning	HO7RN-F 3x1.5 mm ² 2m
Sveiseledning	H01N2-D 1×16mm ² 2m

Pakkens innholder

- 1 Sveiseapparat
- 1 Sveisemaske
- 1 Stålbørste/rusthammer

- 1 Bruksanvisning
- 1 Sikkerhetsinstruksjoner
- 1 Garantikort

Undersøk om det har oppstått skade på maskinen eller tilbehør under transporten.

Produktopplysninger

Fig. 1 & Fig. 2

1. Indikatorlampe for temperatur
2. På/av-bryter
3. Dreiebryter for innstilling av strømstyrke
4. Sveisekabel med elektrodeholder
5. Jordkabel med feste
6. Gummihette
7. Håndtak
8. Ventilasjonsspalter
9. Stålbørste/rusthammer
10. Sveisemaske
11. Elektroder

Tabell: montering og bruk

Ø Electrode (mm)	Strømstyrke (A)	Passer blant annet for:
2	50-75	Materialtykkelse 2-3 mm Reparasjon av veggstativ
2.5	70-100	Materialtykkelse 4-5 mm Hagegjerde, hagegjenstander
3.2	95-150	Materialtykkelse 6-7 mm Carport, garasje
4	130-160	Materialtykkelse 8-12 mm Konstruksjoner (kraftige)

2. Sikkerhetsinstruksjoner



Forsiktig! Les bruksanvisningen.

Forklaring av symboler



Angir fare for personskade, livsfare eller skade på maskinen hvis instruksjonene i denne bruksanvisningen ikke følges.



Fare for elektrisk støt.



Trekk umiddelbart støpselet ut av stikkontakten hvis ledningen skades og i forbindelse med vedlikehold.



Hold andre personer på avstand.



Beskytte imot regne



Bruk vernebriller og hørselsvern.



Bruk vernehansker.



Bruk alltid sveisemaske sveising



Bruk verneklær

EN60974-6

Standard for sveiseapparater for manuell metallbuesveising med begrenset kapasitet.

EMC –klassifisering i henhold til IEC 60974-10



Elektrodeholder



Jordingsklemme



Synkende spenning



Énfases transformator



Forsyningskrets, 1- eller 3-fase ~50 Hz



Elektrodediameter



Sikring 16A

I_{1max}

Primær hovedstrømstyrke i ampere

I₂

Sekundær strømstyrke i ampere



Nominell maksimal sveisetid ved avvekslende bruk



Nominell maksimal sveisetid ved kontinuerlig bruk

IP21S Beskyttelsesglass. Tett mot objekter opp til 1 2 mm, og mot loddrett fallende vandrypp. Avbrudd med vannkontroll

H Isolasjonsklasse

U₀ Nominell ubelastet spenning

U₁ Nominell forsyningspenning

U₂ Verider av konvensjonell belastningsspenning

I_{eff} Maksimal effektiv forsyningsstrøm

Generelle sikkerhetsinstruksjoner for sveiseapparater

- Brukeren av maskinen må ha fått opplæring i bruk av maskinen.
- Sørg for å ha et godt belyst og ryddig arbeidsmiljø.
- Trekk alltid ut kontakten før utførelse av vedlikehold på apparatet.
- Trekk ut kontakten når du forlater apparatet.
- Ikke bruk apparatet før det er ferdig montert og ferdig satt opp slik det er beskrevet i håndboken.

Spesifikke sikkerhetsinstruksjoner for sveiseapparatet

- Sveising fører til gnister og oppvarming av metall. Husk at dette medfører brannfare. Fjern alle brennbare objekter fra arbeidsområdet.
- Sørg for god ventilasjon i arbeidsområdet. Det frigjøres helseskadelige gasser under sveising.
- Ikke sveis på beholdere eller rør som inneholder eller har inneholdt brennbare væsker eller gasser (brann- og eksplosjonsfare).
- Ikke sveis materialer som er rensset med svært brennbare væsker eller som har malt overflate (fare for farlige gasser).
- Ikke arbeid i et fuktig eller vått miljø. Ikke sveis hvis det regner på arbeidsområdet.
- Beskytt alltid øynene med den medfølgende sveisemasken.
- Bruk hansker og beskyttelsesklær som er tørre og som ikke er oljete eller skitne.
- Slagget som avskalles er av og til glødende varmt og kan forårsake alvorlige synsskader under fjerning. Bruk alltid beskyttelsesbriller og -hansker.

- Ultrafiolett stråling kan brenne huden under sveisingen. Bær derfor alltid egnede beskyttelsesklær.
- Sveiseapparatet er sikret mot overbelastning. Sveiseapparatet slår seg derfor automatisk av hvis det overbelastes. Sveiseapparatet slår seg automatisk på igjen når det er tilstrekkelig avkjølt.
- Under sveising og avkjøling kan arbeidsstykket deformeres på grunn av spenninger. Husk alltid dette.
- En må kun bruke de sveiseledningene som følger med i leveransen (Ø 10 mm 2 gummisveiseledning).
- Spesielle foreskrifter gjelder i brann og eksplosjonsfarlige rom.
- Sveiseforbindelser som er utsatt for stor belastning og må oppfylle bestemte sikkerhetskrav kan bare sveises av spesialutdannete og faglærte sveisere. Eksempler på dette er: Trykkbeholder, gledeskinner, tilhengerkoplinger osv.
- NB: Kople alltid jordingsklemmen så nært til sveisestedet som mulig, slik at sveisestrømmen kan ta den kortest mulige veien fra elektroden til masseklemmen. Forbind aldri jordingsklemmen med sveiseapparatkassen! Kople aldri jordingsklemmen til jordete deler som ligger langt fra arbeidsstykket, f.eks et vannrør i et annet hjørne i rommet. Ellers kan jordledningssystemet i rommet hvor du sveiser bli skadet.
- Sikringen til tilførselen i stikkontaktene må være i henhold til forskriftene (VDE 0100). Jordete støpsel kan med maks 16A (Typer og tekniske data: RT14-20, Ø 10 x 38, AC 400 V 16A. IEC 60269) være trege. Produsent: Chint. Sikres (Sicherungen oder Leitungsschutzschalter). Høyere sikring kan føre til ledningsbrann eller bygnings-skade.

Elektrisk sikkerhet



Slå av maskinen med en gang dersom

- *det er feil på strømkontakten og strømkabelen, eller når det er skader på kabelen.*
- *det er feil på bryteren.*
- *du ser røyk eller lukter brent isolasjon.*



Advarsel! Avhengig av strømforsyningens tilstand ved tilkoblingspunktet, kan sveisestrømkilden forårsake forstyrrelser på strømforsyningen til andre strømforbrukere. Hvis du er i tvil når det gjelder dette, bør du kontakte elektriker.

- Forsikre deg om at sveiseapparatets elektriske forbindelser er riktig utført. Alle muligheter for elektrisk støt kan medføre livsfare.
- Sørg alltid for gode forbindelser, både for elektrodeholderen og jordingsklemmen.
- Ikke trekk i kablene slik at de skades. Koble fra kablene før du flytter apparatet.
- Unngå kontakt med den elektrisk ledende delen av sveiseapparatet, elektrodeholderen og jordingsklemmen.
- Forsikre deg alltid om at nettspenningen svarer til spenningen som er angitt på typebetegnelsesplaten på apparatet.
- Når kabler og kontakter skal skiftes: Kast gamle kabler og kontakter når de er skiftet ut med nye. Det er farlig å sette inn en løsnet kontakt.
- I alle sveiseapparater som bruker 230 volt, må det brukes minst 16-ampers sikringer.
- Når det brukes skjøteledning: Bruk bare en godkjent skjøteledning som passer til apparatets strømforbruk. Kabelkjernen må ha en diameter på minst 1,5 mm². Trekk ledningen helt ut av en eventuell snelle.
- Arbeid med nettspenning, f.eks på ledninger stikkontakter, støpsler osv skal kun utføres av godkjent elektriker.

3. Montering av tilbehør



Forsikre deg om at kontakten er trukket ut før montering av tilbehør.

Oppsett av apparatet

- Plasser sveiseapparatet på et tørt og rent sted (uten jernspon, støv og maling).
- Plasser sveiseapparatet på en stødig og flat overflate og minst 20 cm fra vegg.
- Beskytt sveiseapparatet mot regn og sterkt sollys.

Sveisemasken

Fig. 2

- Monter sveisemasken ved å sette på håndtaket med de medfølgende skruene.
- Plasser det lyse glasset (beskyttelsesglass)

foran det mørke sveiseglasset. Sett glassene i vinduet og lås dem.

- Plasser glassene slik at ikke noe skadelig lys kommer gjennom åpningen.
- Skift lysbeskyttelsesglass når sikten mot arbeidsstykket blir for dårlig under sveising. Det er mye dyrere å skifte det mørke sveiseglasset enn det lyse beskyttelsesglasset.

Sette på nye elektroder

Elektroden består av en metallkjerne med et belegg. I den ene enden av elektroden er kjernen dekket av belegget.

- Press håndtaket på elektrodeholderen mot fjæren.
- Sett en elektrode, med enden uten belegg (± 2 cm), inn i elektrodeholderen. Forsikre deg om at den udekte delen får god kontakt med metalldelen i elektrodeholderen (elektroden må ikke skyves for hardt inn i elektrodeholderen).
- Slipp håndtaket. Elektroden er nå festet.



N.B! Elektroden må ikke brennes til kortere lengde enn ± 5 cm. Dette kan føre til overoppheting og deformasjon av elektrodeholderen. Det blir da vanskelig å ta ut den oppbrente elektroden.

Ta ut brukte elektroder

Press håndtaket på elektrodeholderen mot fjæren, slik at den oppbrente elektroden frigjøres fra holderen.



N.B! Ikke ta ut elektroden med hendene. Elektroden er svært varm!



N.B! Unngå at elektroden faller ned et sted der det kan oppstå brannfare og mulige skader.



Advarsel: Les bruksanvisningen før bruk av og service på dette utstyret.

Installering

Fig. 4

Utgangsposisjon for bryteren (2) er satt til "AV" (OFF).

Maskinen har to støpsler, den kan brukes på 230V eller 400V spenning.

- Med VDE-støpselet kan den bare brukes på 230V posisjonen. For å bruke sveiseapparatet

med 230V spenning, koble VDE-støpselet til en 230V stikkontakt og sett bryteren (2) fra "AV" til 230V posisjon.

- Med 5-pins industristøpsel kan den bare brukes 400V. Koble industristøpselet til en 400V stikkontakt og sett bryteren (2) fra "AV" til 400V posisjon.

Vennligst pass på følgende for å unngå faren for brann, elektrisk støt eller personskader:

- 1 Før bruk, pass på at den innstilte spenningen stemmer med spenningen på strømkilden.
- 2 Vennligst koble fra apparatet fra strømmettet før du stiller inn nominell spenning.
- 3 Justering av nominell spenning under bruk er forbudt.

4. Bruk

Før bruk:

- a. Generelle opplysninger om elektrisk buesveising
- b. Elektroden
- c. Beskyttelsesklær
- d. Ansiktsbeskyttelse
- e. Arbeidsmiljø

a. Generelle opplysninger om elektrisk buesveising

Temperaturen på buen blir omtrent 7000° Celsius, slik at enden på elektroden og arbeidsstykket smelter sammen. Så lenge buen er tent, smelter elektroden og forsyner delene som skal sveises sammen, med sveisemateriale. Avstanden mellom elektroden og arbeidsstykket må være så kort som mulig, omtrent 1,5 - 4 mm avhengig av elektrodens diameter og type. Nødvendig strøm for sveisingen tilføres av sveiseapparatet. Hvilken strømstyrke som kreves av sveiseapparatet, avhenger av arbeidet som skal utføres.

Forsikre deg om at elektrodene er helt tørre. Fuktige elektroder skaper problemer. Hvis elektrodene fester til arbeidsstykket under sveising, skyldes det at strømstyrken er satt for lavt.

b. Elektroden

- Elektroden består av en metallkjerne med et belegg. Beleggets viktigste oppgave er å beskytte sveiseflaten og overføringsdråpene mot oksygen og nitrogen i den omgivende luften. Elektroden smelter under sveisingen. Deler av belegget fordampes og danner et beskyttende

gassaktig skjold. Deler av belegget flyter på sveiseflaten (det er lettere enn stål) og beskytter også den kjølnende sveisen. Etter nedkjøling blir dette belegget til et fast slag på skjøten, som er lett å fjerne.

- Behandle elektrodene forsiktig slik at belegget ikke sprekker. Forsikre deg om at elektrodene er helt tørre, og oppbevar dem tørt.
- Det er svært viktig å bruke riktige elektroder for å få en god og sterk sveiseskjøt. En universalelektrode kan ofte være passende for det arbeidet du skal utføre.

Elektrodeemballasjen er merket med i hvilke posisjoner sveising med de aktuelle elektrodene kan utføres (over hodet, nedover etc., med tanke på elektrodens smeltehastighet). Det er forskjellige elektroder i handelen, for sveising av forskjellige typer rustfritt stål og støpejern. Kontakt forhandler når det gjelder kjøp av riktige elektroder.

c. Beskyttelsesklær

Bær godt dekkende klær, slik at faren for at huden skal brennes av ultrafiolett stråling eller metallsprut blir minst mulig. Bruk helst bomullskjeledress, sveisehansker og vernesko. Forsikre deg om at sveisesprut ikke kommer inn i hansker eller sko. Et lærforkle hindrer brenning og gnistskader på kjeledressen.

d. Ansiktsbeskyttelse

Fig. 2

Bruk en god sveisemaske med mørkt sveiseglass og beskyttelsesglass. Sørg for at begge glassene er riktig satt inn (godt festet slik at dagslys ikke kommer inn).

Sveisemasken beskytter brukeren mot stråling, varme og sveisesprut fra sveiseprosessen. Den reduserer også inhalering av sveisegass.

De usynlige ultrafiolette strålene forårsaker såkalt sveiseblink. Dette skjer etter bare noen sekunders kinking på sveisebuen.

Unngå effektene av denne strålingen og av høy temperatur på ansiktet og andre utsatte kroppsdeler som hals og armer.

Beskytt deg mot lysbuenes farlige effekter, personer som ikke tar del i arbeidet må holde seg minst 15 m borte fra lysbuen.

Også personer som befinner seg i nærheten av lysbuen, eller medhjelpere, må gjøres oppmerksom på farene og bruke nødvendig beskyttelse. Sett opp beskyttelsesvegger om nødvendig.

e. Arbeidsmiljøet

- Sørg for god ventilasjon. Det frigjøres helseskadelige gasser under sveising.
- Fjern alle brennbare objekter fra arbeidsområdet. Sveising fører til gnister og oppvarming av metall.
- Sørg for at det er tilgjengelig vann til kjøling i nærheten av arbeidsområdet. Ikke forlat nylig sveisede, varme arbeidsstykker ubevoktet. Avkjøl arbeidsstykket før du forlater arbeidsområdet.

Beskyttelse mot stråler og forbrenninger

- På arbeidsplassen viser skiltet „Forsiktig! Ikke se inn i flammen!“ til faren. Arbeidsplassene skal skjermes så godt som mulig, slik at personer som befinner seg i nærheten er beskyttet. Ufaglærte skal holdes vekke fra sveisearbeider.
- I umiddelbar nærhet av stedfaste arbeidsplasser skal veggene ikke være lyse og blanke. Vinduer må minst til hodehøyde være sikret mot gjennomtrenging og reflektering av ståler, for eksempel med egnet maling.

Ta i bruk

Fig. 3

Tips: Før du sveiser på vanskelige arbeidsstykker, bør du teste på et teststykke.

- Sørg for at arbeidsstykket er rent: fjern rust, fett og malingsrester.
- Still inn riktig strømstyrke med bryteren foran på sveiseapparatet. Valg av strømstyrke avhenger av arbeidsstykket og hvilken type elektrode som brukes.
- Sett elektroden med enden uten belegg inn i elektrodeholderen, og fest jordingsklemmen til arbeidsstykket.
- Slå på sveiseapparatet med strømbryteren.
- Hold sveisemasken foran ansiktet og beveg enden på elektroden over arbeidsstykket på samme måte som når du tenner en fyrstikk. Dette er den beste måten å tenne sveisebuen på. Ikke slå mot arbeidsstykket med elektroden. Det kan skade elektroden og hindre tenning av sveisebuen.
- Når sveisebuen er tent, skal du straks forsøke å holde en jevn avstand mellom elektroden og arbeidsstykket. Avstanden skal være den samme som diameteren på elektroden. Hold denne avstanden så godt som mulig under sveisingen.
- Beveg elektroden med en jevn trekkende

bevegelse over arbeidsstykket.

- Hold vinkelen mellom elektroden og arbeidsstykket på 60°-70° i bevegelsesretningen.
- Når sveiseskjøten er laget, bryter du sveisebuen ved å ta elektroden bort fra arbeidsstykket.
- Slå av sveiseapparatet.



N.B. Hvis du lar sveiseapparatet være på, er det fare for at elektroden kan skape kontakt (gjennom arbeidsbenken) med jordledningen og starte sveising av seg selv.

- Fjern slag fra sveiseskjøten med en rusthammer.



Vær obs på sprut av varme metallpartikler. Bruk alltid beskyttelsesbriller.

- Sveis aldri over slaggrester: slagget danner et isolerende og forurenset lag som gir en svakere sveis (såkalt slagginnslag).
- Børst sveisen ren med en stålbørste.



N.B. Arbeidsstykket er fortsatt svært varmt. Ikke forlat det varme arbeidsstykket ubevoktet.

Indikatorlampe for temperatur

Fig. 1

Når sveiseapparatet blir for varmt, slår den innbygde termostaten det av (indikatorlampen lyser). Den innbygde ventilatoren avkjøler apparatet. Etter nedkjøling tennes lampen igjen. Gi apparatet tilstrekkelig tid til nedkjøling. Under intens sveising er det sannsynlig at termobryteren vil slå ut igjen etter noen minutter.

5. Service og vedlikehold



Sørg for at maskinen er spenningsløs når det skal utføres vedlikeholdsarbeid på de mekaniske delene.

Maskinene er konstruert slik at de kan fungere uten problemer med et minimum av vedlikehold. Hvis maskinen rengjøres regelmessig og behandles på riktig måte, bidrar dette til å gi maskinen en lang levetid.

Feil

Dersom maskinen ikke fungerer som den skal, kan

du se gjennom oversikten over mulige årsaker og løsninger nedenfor:

Sveiseapparatet virker ikke

- Jordingsklemmen har ikke god kontakt med arbeidsstykket
- Elektroden er ikke riktig satt inn i holderen
- Termisk kontroll er slått av eller termisk sikring er utløst.
- Sikringen har gått (i sikringsboksen)
- Det er brudd på kabelen
- Bryteren er ødelagt. Kontakt din forhandler

Elektroden fortsetter å “klebe” til arbeidstykket

- Bruk riktig type elektrode (universell)
- Strømstyrken er for lav. Drei bryter 3 med urviseren.

Elektroden blir oransjerød

- Strømstyrken er for høy for denne typen elektrode. Drei bryter 3 mot urviseren

Elektroden spruter veldig mye og lager mye lyd under sveising

- Strømstyrken er for høy. Drei bryter 3 mot urviseren

Apparatet er for varmt; indikatorlampen er på

- Ventilasjonsspaltene er blokkert. Rengjør dem med en tørr klut. Vent noen minutter til lampen slukker



La alltid reparasjoner utføres av en anerkjent installatør eller service-bedrift!

Vedlikehold

- Sørg for at ventilasjonsspaltene ikke er støvete eller skitne. Bruk en myk klut fuktet med såpevann for å fjerne smuss som har satt seg fast. Ikke bruk løsemidler som bensin, alkohol, ammoniakk eller lignende.
- Sørg for at elektrodeholderen og jordingsklemmen er fri for korrosjon, slik at de oppnår god elektrisk kontakt.
- Undersøk regelmessig at ledningene til sveiseapparatet og arbeidsstykket er godt tilkoblet.

Smøring

Maskinen trenger ikke ekstra smøring.

Feil

Hvis det oppstår feil som følge av for eksempel

utslitte deler, skal du kontakte serviceadressen på garantikortet. Bakerst i denne bruksanvisningen finner du en splittegning som viser deler som kan bestilles.

Miljø

For å unngå transportskader leveres maskinen i solid emballasje. Emballasjen er i den grad dette er mulig fremstilt av resirkulerbart materiale. Benytt derfor anledningen til å resirkulere emballasjen.



Defekte og/eller kasserte elektriske eller elektroniske apparater må avhendes ved egnede returpunkter.

Gjelder kun i EU-landene.

Elektriske verktøy må ikke kastes sammen med husholdningsavfall. I henhold til EU-direktiv 2012/19/EU for elektrisk og elektronisk avfall, samt implementering av direktivet i nasjonal lovgivning, skal elektriske verktøy som ikke lenger kan brukes kastes separat og på en miljøvennlig måte.

Garanti

Garantibetingelsene er å finne på det vedlagte garantikortet.

LYSBUESVEJSNING 55 - 160A

Numrene i den nedenstående tekst henviser til illustrationerne på side 2 + 109



For din egen og andres sikkerhet anbefaler vi at du læser denne bruksanvisning nøye igennem, før maskinen tages i bruk. Opbevar denne bruksanvisning og den øvrige dokumentation ved maskinen.

Indledning

Svejsesmeltningsprosessen anvendes til at sammensmelte arbeidsmaterialer under påvirkning af den tilførte varme. Ved elektrisk buesvejsning anvendes også svejsmaterialer (elektroder). Svejsningen skabes efter størkning. Den nødvendige varme opnås ved at opretholde en elektrisk bue mellem elektroden og arbeidsstykket. Svejsningsprosessen kræver meget strøm (55-160 A) med en forholdsvis lav spænding (10–48 V). En transformator mellem svejsetilbehøret sikrer at hovedstrømmen mindskes (400 V).

Apparatet er ikke egnet til industriel anvendelse!

Indhold

1. Maskindata
2. Sikkerhedsforskrifter
3. Tilpasning af tilbehør
4. Betjening
5. Service & vedligeholdelse

1. Maskindata

Tekniske data

Spænding	230 / 400 V ~
Frekvens	50 Hz
Sveiseeffekt	55 / 140 A (230 V) / 160 A (400 V)
Ubelastet spænding	48 V / 230 V
Effektfaktor	0.62
Elektrodediameter	2 - 4 mm
Vægt	22.1 kg
Dimensjoner	56 x 32.5 x 40 cm
Varmebeskyttelse	105 °C (±5 °C)
Strømkabel	HO7RN-F 3x1.5 mm ² 2m
Sveisekabel	HO1N2-D 1x16 mm ² 2m

Pakkeinnhold

- 1 Svejsetilbehør
- 1 Svejsemaske
- 1 Stålbørste/rusthammer

- 1 Brugervejledning
- 1 Sikkerhedsinstruktioner
- 1 Garantibevis

Kontroller maskinen, løsdele og tilbehør for transportskade.

Komponenter Fig. 1 & Fig. 2

- 1. Indikationslampe for temperatur
- 2. Afbryder
- 3. Drejeknap til at indstille spændingsintensitet.
- 4. Svejsekable med elektrodeholder
- 5. Jordforbindelse med tilbehør
- 6. Gummilåg
- 7. Håndtag
- 8. Ventilationshuller
- 9. Stålbørste/rusthammer
- 10. Svejsemaske
- 11. Elektroder

Tablet 1: Indstilling samt anvendelse

Ø Electrode (mm)	Spændingsintensitet (A)	Anvendelige for, bl.a.:
2	50-75	Materialetykkelse 2-3 mm Reparation af vægstand
2.5	70-100	Materialetykkelse 4-5 mm Havehegn, udendørslegetøj
3.2	95-150	Materialetykkelse 6-7 mm Carport, garage
4	130-160	Materialetykkelse 8-12 mm Bygningskonstruktion (tung)

2. Sikkerhedsforskrifter



Forsigtig!
Læs instruktionsvejledningen.

Beskrivelse af symboler



Betegnelse for risiko for personskader, dødsfald eller beskadigelse af værktøjet i tilfælde af at du er uopmærksom på instruktioner i denne manual.



Indikerer farer for elektrisk stød.



Tag straks stikket ud af stikkontakten, hvis ledningen beskadiges og i forbindelse med vedligeholdelse.



Hold omkringstående på afstand.



Sikre imod regn



Brug beskyttelsesbriller og høreværn.



Bær beskyttelsehandsker.



Anvend altid en svejsemaske under svejsning



Bær beskyttende tøj

Standard for svejseudstyr for manuelt buesvejsning i metal med begrænset anvendelse.
EN60974-6

EMC-klassificering i overensstemmelse med IEC 60974-10



Elektrodeholder



Jordforbindelse



Aftagende spænding



Enkelt sidet transformere



Forsyningskredsløb, faser 1 eller 3
~50 Hz



Diameter på elektrode



Smeltesikring 16A



Maksimalt hovedspændingsintensitet i ampere



Sekundær spændingsintensitet i Ampere



Nominal maksimal svejsetid i intermitterende



Nominal maksimal svejsetid i kontinuerlig tilstand

IP21S *Beskyttelsesglas. Plomberet for genstande på op til 12 mm og mod perpendikulært dryppende vand. Standsning med vandkontrol.*

H *Isoleringsklasse*

U⁰ *Nominal spænding i ubelastet tilstand*

U¹ *Nominal forsyningssspænding*

U² *Værdier af den konventionelle belastningsspænding*

I_{eff} *Maksimal effektiv forsyningssspænding*

Generelle sikkerhedsinstruktioner for svejseudstyr

- Brugeren af maskinen skal have været vejledt i brug samt betjening af maskinen.
- Sørg for at have et godt belyst og ryddet arbejdsmiljø.
- Fjern altid stikket fra stikkontakten før du udfører vedligeholdelsesarbejde med maskinen.
- Fjern stikket fra stikkontakten når du efterlader maskinen.
- Anvend ikke maskinen før du har samlet og installeret maskinen totalt, som beskrevet i brugervejledningen.

Særlige sikkerhedsinstruktioner for svejseudstyr

- Svejsning forårsager gnister og varmt metal. Husk at dette udgør en brandfare, og fjern alt brandbare genstande fra arbejdsmiljøet.
- Sørg for at have en god ventilation i arbejdsmiljøet. Gasser udløses under svejsning som kan være til fare for dit helbred.
- Svejs ikke beholdere eller rør som indeholder eller har indeholdt brandbare materialer eller gasarter (fare for brand eller eksplosion).
- Svejs ikke i materialer som er blevet rengjort med meget brandbare materialer, eller som har malede overflader (kan udløse meget farlige gasarter).
- Arbejd ikke i et fugtigt eller vådt arbejdsmiljø, og svejs ikke i regnvejr.
- Beskyt altid dine øjne med den leverede svejsemaske.
- Anvend handsker og beskyttende arbejdstøj som er tørt og ikke gennemvædet af olie eller snavs.
- Slagger som skydes af er nogen gange glødende varmt og kan forårsage alvorlige øjenskader ved fjernelse. Bær altid

beskyttelsesbriller og handsker.

- Ultraviolet stråling kan forbrænde din hud under svejsning. Anvend derfor altid passende arbejdstøj.
- Dit svejseudstyr er beskyttet mod overbelastning. Svejseenheden slukkes derfor automatisk hvis det overbelastes. Svejseenheden tændes automatisk igen efter det har kølet nok af.
- Under svejsning og afkøling kan dit arbejdsstykke deformere pga. stress. Vær altid opmærksom på dette.
- Man må kun anvende de medfølgende svejsekabler (Ø 10 mm² gummisvejsekabel).
- I brand- og eksplosionsfarlige rum gælder særlige forskrifter.
- Svejseforbindelser, der indebærer store risici og skal opfylde bestemte sikkerhedsforanstaltninger, må kun udføres af uddannede og trænede svejsere. Som eksempel: Trykbeholder, løbeskiner, tilkoblinger, osv.
- Advarsel: Tilslut jordklemmen så tæt som muligt på svejsestedet, så svejsestrømmen har den korteste vej fra elektroden til jordklemmen. Forbind aldrig jordklemmen med svejseapparatet! Tilslut aldrig jordklemmen til jordafledte dele, der ligger langt fra arbejdsemnet, f.eks. et vandrør i den anden ende af rummet. I modsat fald kan det medføre, at rummets beskyttelsesledersystem bliver beskadiget under svejsning.
- Sikringerne til tilkoblingerne til stikkontakten skal stemme overens med forskrifterne (VDE 0100). Isolerede jordkontakter må kun sikres med max. 16A (typer og tekniske data: RT14-20, Ø 10 x 38, AC 400 V 16A. IEC 60269. Forsinket udløsning. Fabrikant: Chint) (sikringer eller ledningsbeskyttelseskontakt). Højere sikringer kan medføre kabelbrand eller brandskader på bygninger.

Elektrisk sikkerhed



Sluk for maskinen øjeblikkeligt hvis:

- *Der findes en defekt på hovedstik, ledning eller der er beskadigelser på kablet.*
- *Defekt afbryder.*
- *Du ser røg eller lugter brændt isoleringsmateriale.*



Advarsel! Afhængigt af hovedstrømforsyningsens tilstand ved tilslutning, kan svejsestrømkilden forårsage forstyrrelser

ved strømforsyningen til andre elektriske brugere. Hvis der skulle være nogen tvivl angående dette spørgsmål, bør du kontakte dit elselskab.

- Sørg for at svejseudstyret og den elektriske kabelforbindelse er sikkert installeret. Enhver fare for elektrisk chok kan være livsfarligt.
- Sikre altid tilslutninger, både på elektrodeholderen og jordforbindelsen.
- Tillad ikke elektriske kabler at blive beskadiget ved at trække i dem. Frakobl kabler før du flytter svejseenheden.
- Undgå kontakt med elektrisk ledende dele af svejseenheden, elektrodeholderen og jordforbindelsen.
- Check altid at den hovedspænding du anvender stemmer overens med værdien på typepladen på maskinen.
- Ved udskiftning af kabler og stik: Smid øjeblikkeligt gamle kabler og stik ud, når de er blevet udskiftet med nye. Indsætning af et løst kabelstik i stikkontakten er farligt.
- Ved alle svejseenheder som arbejder på 230 Volt anvend mindst 16 Ampere sikringer
- Når der anvendes forlængerledninger: Anvend kun en godkendt forlængerledning som er anvendelig med maskinstrømmen. Ledningen skal have et tværsnit på mindst 1,5 mm². Hvis forlængerledningen er på en rulle, skal denne rulles helt ud.
- Lad arbejde på netspændingssiden, f.eks. på kabler, stik, stikdåser, osv., udføre af elektrikere.

3. Tilpasning af tilbehør



Sikre at hovedstikket er fjernet fra stikkontakten under montering af tilbehør.

Installation af maskinen

- Installer svejseenheden på et tørt og ryddeligt sted (fri for metalstøv, støv og maling).
- Placér svejseenheden på en fast og flad overflade, og mindst 20 cm fra væggen.
- Beskyt svejseenheden mod regn og stærk sollys.

Svejsesmasken

Fig. 2

- Montér svejsesmasken ved at fastgøre håndtaget med de leverede skruer.
- Placér det lyse glas (beskyttelsesglas) foran det mørke svejseglass. Anbring glasset i

vinduet og lås det.

- Sørg for at glassene er placeret sådan at intet (skadeligt) lys nu kan trænge igennem åbningen.
- Udskift det lyse beskyttelsesglas når synet af arbejdsstykket bliver utilstrækkeligt under svejsning. Udskiftning af det mørke beskyttelsesglas er betydeligt dyrere end udskiftning af det lyse beskyttelsesglas.

Montering af nye elektroder

Elektroderne består af en metalkerne omgivet af en belægning. På den ene ende af elektroden er kernen ikke omgivet af en belægning.

- Tryk håndtaget på elektrodeholderen mod fjederen.
- Placér en elektrode med en ubelagt ende (± 5 cm) i elektrodeholderen. Sørg for at den ubelagte del har god kontakt med metaldelen af elektrodeholderen (elektrode er ikke skubbet for langt ind i elektrodeholderen).
- Frigør håndtaget på grebet. Elektroden er nu fastsat.



Bemærk! Lad ikke elektroden brænde ned til en længde på mindre end ± 5 cm pga. overophedning og/eller misdannelser på elektrodeholderen. Den udbrændte elektrode vil herefter være svær at fjerne.

Fjernelse af brugte elektroder

Tryk grebet på elektrodeholderen mod fjederen, sådan at den udbrændte elektrode kan falde ud af holderen.



Bemærk! Fjern ikke elektroden fra holderen med hånden. Elektroden er meget varm!



Bemærk! Hold øje med hvor den gamle elektrode falder, sådan at brandfare og muligheden for skader minimeres.



Advarsel: Læs instruktionsvejledninger, inden du betjener og udfører service på dette udstyr.

Installation

Fig. 4

Startpositionen af kontakten (2) står på "OFF" (Sluk).

Maskinen har 2 stik og kan bruges ved en spænding på 230 V eller 400 V.

- Med VDE-stikket kan den kun bruges i positionen 230 V. For at betjene svejsemaskinen ved en spænding på 230 V skal VDE-stikket sluttes til strømforsyningen på 230 V, og kontakten (2) skal derefter drejes fra "OFF" (Sluk) til positionen 230 V.
- Med det industrielle stik på 5 ben kan den kun bruges ved 400 V. Slut det industrielle stik til strømforsyningen på 400 V, og drej derefter kontakten (2) fra "OFF" (Sluk) til positionen 400 V.

Bemærk følgende for at undgå risiko for brand, elektrisk stød eller personskader:

- 1 Sørg også for, at enhedens nominelle spænding stemmer overens med strømkildens, inden du betjener svejsemaskinen.
- 2 Kobl enheden fra strømforsyningen, inden du indstiller den nominelle spænding.
- 3 Det er forbudt at justere den nominelle spænding under betjeningen af svejsemaskinen.

4. Betjening

Før brug:

- a. Generel information omkring elektrisk lysbuesvejsning
- b. Elektroden
- c. Beskyttende arbejdstøj
- d. Ansigtsbeskyttelse
- e. Arbejds miljø

a. Generel information omkring elektrisk lysbuesvejsning

Temperaturen på buens mængde er ca. 7000° Celsius, når elektroden og arbejdsstykket smeltes sammen. Så lang tid buen bibeholdes, vil elektroden smelte og give de nødvendige svejsematerialer sådan et delene kan sammenføjes. Afstanden mellem elektroden og arbejdsstykket skal være så kort så muligt (ca. 1,5 - 4 mm), afhængig af diameter og elektrodetype. Den nødvendige spænding for svejsning ydes af svejseenheden. Den krævede mængde strøm for svejseenheden, afhænger af arbejdet der skal udføres.

Sørg for at elektroderne er helt tørre, da fugtige elektroder kan forårsage problemer. Hvis elektroderne klæber til arbejdsstykket under svejsning, er din spændingsintensitet for lav.

b. Elektroden

- Elektroderne består af en metalkerne omgivet af en belægning. Belægningen har den vigtigste hensigt at beskytte svejsepølen og overførelsesdråberne mod oxygen og nitrogen i den omgivende luft. Elektroderne smelter under svejsning. En del af belægningen fordampes, sådan at et beskyttende skjold bestående af gas opstår. En del af belægningen flyder i svejsepølen (det er lettere end stål), og beskytter også den afkølede svejsning. Efter afkøling bliver denne belægning en fast, men let flytbar slagge på de svejsede dele.
- Håndtér elektroderne med forsigtighed, sådan at belægningen ikke brækker. Sørg for at elektroderne er helt tørre, hvilke positioner svejsning kan udføres med de aktuelle elektroder (over hovedet, nedad, osv. Husk på smeltehastigheden på elektroderne). Separate elektroder kan købes i forrefterfor bør du opbevare dem et fugtsikkert sted.
- Det er meget vigtigt at anvende de rigtige elektroder for at sikre en god og stærk svejsning. En universal elektrode vil i mange tilfælde være anvendelig til dit arbejde. Elektrodepakningen beskriver i hninger, beregnet på svejsning af nogle typer rustfrit stål og støbejern. Spørg din forhandler angående køb af de rigtige elektroder.

c. Beskyttende arbejdstøj

Bær komplet beklædning, sådan at muligheden for at din hud bliver forbrændt af ultraviolette stråler eller stænk af metal minimeres. Foretrukket er bomuldsoveralls, svejsehandsker og sikkerhedssko. Sørg for at svejsestænk ikke kan ende nede i handsker eller sko.

Et (læder) svejseforklæde stopper brændende materiel og gnister i at beskadige overalls.

d. Ansigtsbeskyttelse

Fig. 2

Anvend en god svejsemaske med (mørkt) svejseglass samt beskyttelsesglas. Sørg for at begge glas er korrekt monteret (sikkert fastgjort og tillader ikke sollys at trænge igennem). Svejsemasken beskytter svejseren mod stråling, varme og svejsestænk der frigives under svejseprocessen. Denne reducerer også indåndingen af svejsedampe. De usynlige ultraviolette stråler kan forårsage de så kaldte "svejsøjne". Dette opstår allerede efter at have set på elektrodebuen et par sekunder. Undgå effekterne af denne stråling og de høje

temperaturer mod ansigtet samt mod andre kropsdele såsom nakken og armene.

Beskyt dig mod den farlige lysbuen og sørg for at personer, der ikke tager del i arbejdet, er mindst 15 m væk fra lysbuen.

Personer og hjælpere, der befinder sig i nærheden af lysbuen, skal gøres opmærksomme på farerne og være udstyret med de påkrævede beskyttelsesmidler. Opsæt om nødvendigt beskyttelsesværn.

e. Arbejdsmiljø

- Sørg for at have et godt ventileret arbejdsmiljø. Gasser udløses under svejsning som kan være til fare for dit helbred.
- Fjern alle brandbare genstande fra arbejdsmiljøet. Svejsning forårsager gnister og varmt metal.
- Sørg for at vand til afkøling er tilgængelig i nærheden af arbejdsstedet. Efterlad ikke nysvejsede (varmt) arbejdsstykker uden opsyn på arbejdsstedet. Afkøl arbejdsstykket før det efterlades på arbejdsstedet.

Beskyttelse mod stråler og forbrændinger

- På arbejdsstedet med skiltningen "Forsigtig! Se ikke ind i flammerne!" henvises til farer for øjnene. Arbejdspladserne skal indhegnes således, at de omkringstående personer er beskyttet. Uvedkommende skal holdes væk fra svejsearbejdet.
- I den umiddelbare omkreds af arbejdsstedet må væggene ikke være i lyse og skinnende farver. Vinduer skal op til hovedhøjde være sikret mod gennemtrængning eller tilbagekastning af stråler, f.eks. ved passende overtræk.

Anvendelse

Fig. 3

Tip: Før du starter med at svejse komplicerede arbejdsstykker, er det bedste først at afprøve svejseapparatet på et prøvestykke.

- Sørg for at have et rent arbejdsstykke: Fjern alt rust, fedt og malingsrester.
- Indstil til den rette spændingsintensitet ved at avende knappen foran på svejseapparatet. Valget af spændingsintensitet afhænger af arbejdsstykket, og den type elektrode som anvendes.
- Placér den del af elektroden uden belægning i elektrodeholderen, og tilslut jordforbindelsen til arbejdsstykket.

- Tænd for svejseapparatet ved at tænde for stikkontakten.
- Hold svejsemasken foran dit ansigt og bevæg enden af elektroden over arbejdsstykket, som hvis du ville tænde en tændstikker. På denne måde starter du svejsebuen. Stryk ikke arbejdsstykket med elektroden. Dette vil beskadige elektroden og hindre frembringelsen af svejsebuen.
- Forsøg øjeblikkeligt efter at have frembragt svejsebuen, at holde den samme afstand mellem elektrodens spids og arbejdsstykket. Hold denne afstand den samme som elektrodens diameter. Hold denne afstand så konstant som muligt under svejsning.
- Bevæg elektroden i en gradvis trækkebevægelse over arbejdsstykket.
- Hold vinklen mellem elektroden og arbejdsstykket mellem 60° og 70° i retningen af bevægelsen.
- Når den svejsede sammensmeltning er foretaget, stoppes svejsebuen ved at fjerne elektroden fra arbejdsstykket.
- Sluk for svejseapparatet.



Bemærk. Hvis du efterlader svejseapparatet tændt, er der stor mulighed for at elektroden vil få kontakt (gennem arbejdsbænken) med jordkablet og uvilkårligt begynde at svejse.

- Fjern slageren fra svejsepunktet med en rusthammer.



Pas på flyvende varme metalpartikler. Bær altid beskyttelsesbriller.

- Svejs aldrig over slaggerrester: Slaggeren former et isolerende og forurenede lag, og som et resultat svækkes svejsningen (så kaldt slaggeindslag).
- Børst svejsningen af med en stålborste.



Bemærk. Arbejdsstykket er stadig ved meget høj temperatur. Efterlad ikke det varme arbejdsstykke uden opsyn.

Indikationslampe for temperatur

Fig.1

Når svejseapparatets temperatur bliver for høj, vil den indbyggede termostat slukke (indikatorlys tændes). Den indbyggede ventilator afkøler maskinen. Efter afkøling slukkes lamperne igen. Lad helst maskinen køle af i tilstrækkelig lang tid; ved intensiv svejsning er der stor mulighed for, at den termiske slukkemekanisme starter igen efter

nogle få minutter.

5. Service & Vedligeholdelse



Sørg for at maskinen ikke står under strøm, når der udføres vedligeholdelsesarbejder på mekanikken.

Maskinerne er udviklet til at fungere længe uden problemer med et minimum af vedligeholdelse. Ved at rengøre maskinen regelmæssigt og behandle den korrekt, bidrager De til en længere levetid for maskinen.

Fejloversigt

For det tilfælde, at maskinen ikke fungerer korrekt, er herunder angivet en række mulige årsager med tilhørende løsningsforslag:

Svejsesystemet fungerer ikke

- Jordforbindelse har ikke god kontakt med arbejdsstykket
- Elektrode er ikke korrekt placeret i dens holder
- Termisk kontrol slået fra, eller termisk beskyttelse ødelagt.
- Sammensmeltning defekt (i meter boks)
- Kablet er ødelagt
- kontakten er defekt/kontakt din forhandler

Elektrode fortsætter med at 'klæbe' til arbejdsstykket

- Anvend den rette type elektrode (universal)
- Spændingsintensitet for lav/drej knap 3 med uret.

Elektrode er orangerød

- Anvend den rette type elektrode (universal)
- Spændingsintensitet for lav/drej knap 3 med uret.

Elektrode er orangerød

- Spændingsintensitet for høj for denne type elektrode/drej knap 3 mod uret.

Elektrode sprøjter meget, og laver en masse støj under svejsning

- Spændingsintensitet for høj/drej knap 3 mod uret.

Maskinen er for varm; indikatorlampe er tændt

- Ventilationsåbning er blokeret/rengør dem med en tør klud; vent nogle få minutter indtil lampen slukkes.



Reparationer må udelukkende udføres af en autoriseret installatør eller et autoriseret serviceværksted.

Vedligeholdelse

- Sørg for at ventilationsåbningen er fri for støv og snavs. Anvend en blød fugtig klud med sæbevand for at rengøre for genstridigt snavs. Anvend aldrig nogen former for opløsningsmidler såsom, petroleum, alkohol, ammoniak osv.
- Sørg for at elektrodeholderen og jordforbindelse forbliver rustfri, sådan at de fortsat kan have god elektrisk kontakt.
- Regelmæssig check om svejse- og arbejdskabler er sikkert tilsluttet i deres forbindelser.

Smøring

Maskinen behøver ingen ekstra smøring.

Fejl

Skulle en fejl opstå, f.eks. pga. slidtage af en enhed, kontakt venligst serviceadressen på garantibeviset. På bagsiden af denne manual finder du en tegning med alle dele, der kan bestilles.

Miljø

For at undgå transportbeskadigelse leveres maskinen i en solid emballage. Emballagen er så vidt muligt lavet af genbrugsmateriale. Genbrug derfor emballagen.



Defekte og/eller kasserede elektriske eller elektroniske maskiner skal afleveres på en genbrugsplads.

Kun for EU-lande

Smid ikke el-værktøjer ud sammen med almindeligt affald. I henhold til de europæiske direktiver 2012/19/EU for elektrisk og elektronisk udstyr og er implementeret i henhold til nationale rettigheder, el-værktøj som ikke længere er anvendelig skal indsamles separat og genbruges på en miljøvenlig måde.

Garanti

Læs det separat vedlagte garantikort for garantibetingelserne.

ÍVHEGESZTŐ 55 - 160A

Aszövegben levo számok a 2+109 oldalakon levo ábrákra vonatkoznak.



Asaját és mások biztonsága érdekében a fűrés használata előtt javasoljuk, hogy olvassa el figyelmesen az alábbi használati útmutatót. Ahasználati útmutatót és a fűréshez tartozó dokumentációt a jövőbeni hivatkozás érdekében tartsa meg.

Bevezetés

A fűzés hegesztési eljárást használnak a munkadarab anyagának a megolvasztására a biztosított hő hatásával. Elektromos ívhegesztés használatánál hegesztő anyagot (elektródákat) is alkalmaznak. A varrat a megszilárdulás után keletkezik.

A szükséges hőt az elektróda és a munkadarab között fennálló elektromos ív biztosítja. A hegesztési eljárás nagy áramerősséget igényel (55-160 A) viszonylag alacsony feszültséggel (10–48 V). A hegesztő készülékben levő transzformátor biztosítja a hálózati feszültség (400 V) lecsökkentését.

A hegesztő készülék ipari alkalmazásokra nem használható!

Tartalom

1. Gépinformáció
2. Biztonsági előírások
3. Kiegészítő tartozékok
4. Mikódtetés
5. Szerviz és karbantartás

1. Gép információ

Miszaki adatok

Feszültség	230 / 400 V ~
Frekvencia	50 Hz
Hegesztési áram	55 / 140 A (230 V) / 160 A (400 V)
Feszültség üresben	48 V / 230 V
Teherfaktor	0.62
Elektróda-átmérő	2 - 4 mm
Súly	22.1 kg
Méreték	56 x 32.5 x 40 cm
Hővédelem	105 °C (±5 °C)
Csatlakoztató kábel	HO7RN-F 3x1.5 mm ² 2m
Hegesztési kábel	HO1N2-D 1x16 mm ² 2m

A készlet tartalma

- 1 Hegesztő készülék
- 1 Hegesztő álarc
- 1 Drótkéfe/salakoló kalapács
- 1 Használati utasítás
- 1 Biztonsági előírások
- 1 Jótállási jegy

Ellenőrizze, hogy a gép illetve a kiegészítő elemek és a tartozékok nem sérültek-e a szállítás során.

Termékinformáció

1. Ábra & 2. Ábra

1. Hőmérséklet jelzőlámpa
2. Ki- és bekapcsoló gomb
3. Forgógomb az áramerősség beállításához
4. Hegesztő kábel elektródatartóval
5. Földkábel rögzített tartozékkal
6. Gumisapka
7. Fogantyú
8. Szellőzőnyílások
9. Drótkéfe/salakoló kalapács
10. Hegesztő álarc
11. Elektródák

Táblázat: beállítás és használata

Ø Elektróda (mm)	Áram intenzitása (A)	Többek közt a következőkre alkalmas:
2	50-75	Anyagvastagság 2-3 mm Fali tartó javítása
2.5	70-100	Anyagvastagság 4-5 mm Kerti kerítés, kerti játékok
3.2	95-150	Anyagvastagság 6-7 mm Gépkocsibeálló, garázs
4	130-160	Anyagvastagság 8-12 mm Építmény (nehéz)

2. Biztonsági előírások



Vigyázat! Olvassa el a használati útmutatót.

A jelölések magyarázatai



A jelen használati utasításban leírtak be nem tartása esetén sérülés, életveszély, és gépsérülés következhet be.



Áramütés veszélye.



A csatlakozódugót húzza ki a konnektorból.



Az illetéktelen személyeket tartsa távol a munkahelytől.



Megvéd ellen eső



Használjon védőszemüveget és hallásvédő eszközt.



Használjon védőkesztyűt.



A hegesztés során mindig viseljen hegesztőárlarcot



Viseljen védőruházatot

EN60974-6 Korlátozott teljesítményű kézi fém
egesztésre szolgáló hegesztő
készülékek szabványa.

A megadott EMC-besorolási osztály az IEC
60974-10 szabvány szerint értendő



Elektródatartó



Földelő csatlakozó



Leeső feszültség



Egyfázisú transzformátor



Tápellátó áramkör (1 vagy 3 fázisú,
50 Hz)



Elektróda átmérő



Biztosíték 16A



I_{1max} Maximális primer áramerősség Amper-
ben



I₁ Szekunder áramerősség Amper-ben



Maximális névleges hegesztési idő
szakaszos módban



Maximális névleges hegesztési idő
folytonos módban

IP21S S Védelmi osztály. Legfeljebb 12 mm-es
tárgyakkal és merőlegesen hulló csepegő
vízzel szemben tömített. Dugulás
vízszabályzóval.

H Szigetelési osztály

U₀ Névleges terhelésmentes feszültség

U₁ Névleges tápfeszültség

U₂ Hagyományos terhelési feszültség
értékei

I_{1eff} Maximális tényleges tápáram

Hegesztő készülékekre vonatkozó általános biztonsági utasítások

- A gép felhasználójának tájékozódnia kell a gép használatáról és működéséről.
- Jól megvilágított és rendes munkakörnyezetet kell biztosítani.
- Mindig távolítsa el a dugaszt a dugaszolóaljzatból, mielőtt karbantartást végez a gépen.
- Távolítsa el a dugaszt a dugaszolóaljzatból, ha otthagyja a gépet.
- Ne használja a gépet, mielőtt teljesen össze nem szerelte és üzembe nem helyezte a jelen használati utasításban leírtak szerint.

Hegesztő készülékekre vonatkozó különleges biztonsági utasítások

- A hegesztés szikrákat és forró fémet okoz. Emlékezzon rá, hogy ez tűzveszélyt jelent, ezért távolítsa el minden gyúlékony tárgyat a munkakörnyezetből.
- Gondoskodjon jó szellőzésről a munkakörnyezetben. Hegesztés közben gázok szabadulnak fel, amelyek ártalmasak az egészségre.
- Ne hegeszsen olyan tartályokat vagy csöveket, amelyek gyúlékony folyadékokat vagy gázokat tartalmaznak vagy tartalmaztak (tíz- vagy robbanásveszély).
- Ne hegeszsen olyan anyagokat, amelyeket erősen gyúlékony folyadékkal tisztítottak,

vagy amelyeknek festett a felületük (veszélyes gázok kibocsátásának valószínűsége).

- Ne dolgozzon párás vagy nedves környezetben, és ne hegeszsen esőben.
- Mindig védje a szemét a biztosított hegesztő álarccal.
- Használjon kesztyűt és védőruházatot, amely száraz, és nem olajos vagy szennyezett.
- A lepatogzó salak néha izzóan forró, és az eltávolítás során súlyos szemsérüléseket okozhat. Mindig viseljen védőszemüveget és kesztyűt.
- A hegesztés során az ultraibolya sugárzás égetheti a bőrt. Tehát mindig viseljen megfelelő védőruházatot.
- A hegesztő készülék túlterhelés ellen védett. Ezért túlterhelődés esetén a hegesztő készülék automatikusan lekapcsol. Miután eléggé lehült, a hegesztő készülék automatikusan újra bekapcsol.
- A hegesztés és lehülés során a munkadarab a feszültségek következtében deformálódhat. Ezt mindig tartsa észben.
- A hegesztéshez csak a készülékhez mellékelt vezetékeket szabad használni (O/ 10 mm², gumiszigetelésű hegesztő vezetékek).
- A tűz- és robbanásveszélyes helyeken való hegesztéskor tartsa be az idevonatkozó összes előírást.
- A nagy terhelésnek kitett hegesztési varratokat (amelyekre külön biztonsági előírások vonatkoznak) csak megfelelő hegesztői minősítéssel rendelkező és tapasztalt hegesztők készíthetik el. Például: kazánok, sínek, nyomástartályok, függesztett készülékek tartói stb.
- Figyelem: a földelő csipeszt a hegesztési helyhez minél közelebb helyezze el, hogy a hegesztő áram útja minél kisebb legyen a hegesztő elektródától a csipesz csatlakozási helyéig. A hegesztő csipeszt ne csatlakoztassa a hegesztő készülék házához! A hegesztő csipeszt ne csatlakoztassa azokhoz a földelt tárgyakhoz, amelyek túl messze vannak a hegesztés helyétől, pl. a helyiség másik végében levő vízvezetékhez. Mert ilyen esetben előfordulhat, hogy annak a helyiségnek a védővezeték rendszere amelyben hegeszt, tönkremehet.
- A hálózati csatlakozódugó és a konnektor csak a VDE 0100 előírás szerinti lehet. A konnektor védelmét úgy kell biztosítani, hogy azon 16 A-nál nagyobb áram ne áramolhasson (biztosíték, vagy kismegszakító

– típus és mészaki adatok: RT 14-20, O/ 10 x 38, AC 400 V 16 A, IEC 60269. Lassú. gyártó: Chint). Az ennél nagyobb értékű hálózati ágon való munka esetén a vezeték eléghet.

Érintésvédelem



Azonnal kapcsolja ki a gépet az alábbi esetek bármelyikében:

- *Ha hiba van a hálózati dugaszban, a tápkábelben, vagy a kábel megsérült.*
- *Ha hibás a kapcsoló.*
- *Ha füstöt észlel vagy a szigetelés égésére utaló szagot érez.*
- Bizonyosodjon meg róla, hogy a hegesztő készülék és az elektromos vezetékezés csatlakozásai helyesen kerültek bekötésre. Az áramütés bármely valószínűsége veszélyeztetheti az életet.
- Mindig győződjön meg a csatlakozások jó állapotáról, az elektródartartón és a földelő csatlakozáson egyaránt.
- Ne engedje, hogy az elektromos kábelek húzás miatt megsérüljenek. A hegesztő készülék mozgatása előtt kapcsolja le a kábeleket.
- Kerülje el az érintkezést a hegesztő készülék elektromosan vezető részével, az elektródartartóval és a földelő csatlakozóval.
- Mindig ellenőrizze, hogy a hálózati feszültség megfelel-e a gép típus tábláján levő értéknek.
- Kábelek vagy dugaszok cseréjével: Dobja ki a régi kábeleket és dugaszokat, amint azokat kicserélte újakra. A laza kábeldugasz behelyezése a dugaszolóaljzatba veszélyes.
- Minden 230 Volt-on működő hegesztő készülékhez legalább 16 amperes biztosítékot kell használni
- Hosszabbító vezetékek használata esetén: Csak olyan engedélyezett hosszabbító vezetékét használjon, amely megfelel a gép teljesítményének. Az erek keresztmetszetének legalább 1,5 mm²-esnek kell lennie. Teljesen tekerje le a vezetékét, ha az kábeldobon van.
- Az elektromos berendezéseken és annak tartozékain (kábelek, csatlakozók, konnektorok stb.) végzendő munkákat bízva villanyszerelő szakemberre.

3. Kiegészítő tartozékok



Bizonyosodjon meg róla, hogy a dugasz eltávolításra került a dugaszolóaljzatból a tartozékok összeszerelése során.

A gép üzembe helyezése

- A hegesztő készüléket száraz és tiszta (vasportól, portól és festéktől mentes) helyen helyezze üzembe.
- Helyezze a hegesztő készüléket egy szilárd és sík felületre, és legalább 20 cm-re a faltól.
- Védje a hegesztő készüléket az esőtől és az erős napfénytől.

A hegesztő álarc

2. Ábra

- A hegesztőmaszk felszerelése során a markolatot a berendezéshez mellékelt csavarokkal rögzítse.
- Helyezze a világos üveget (védőüveget) a sötét hegesztő üveg elé. Helyezze az üveglapokat az ablakon belülre, majd rögzítse őket.
- Bizonyosodjon meg róla, hogy az üvegek úgy helyezkednek el, hogy semmilyen (káros) fény nem képes behatolni a nyíláson.
- Cserélje ki a világos védőüveget, ha a munkadarabot a hegesztés során elégtelenül látja. A sötét hegesztő üveg cseréje jelentősen drágább, mint a világos védőüveg cseréje.

Új elektródák behelyezése

Az elektróda egy bevonattal ellátott fémmagból áll. Az elektróda egyik végén a magot nem borítja a bevonat.

- Nyomja le az elektródatartó fogantyúját a rugó ellenében.
- Tegyen egy elektródát a bevonat nélküli végével (+/- 2 cm) az elektródatartóba. Győződjön meg róla, hogy a bevonat nélküli rész jól érintkezik az elektródatartó fémrészével (az elektróda nincs túl messzire betolva az elektródatartóba).
- Engedje el a markolat fogantyúját. Az elektróda rögzítésre került.



Megjegyzés! Ne hagyja, hogy az elektróda +/- 5 cm-nél rövidebb hosszúságúra égjen, a túlmelegedés és/vagy az elektródatartó deformálódása miatt. Az elégett elektródát nehezen lehet eltávolítani.

Használt elektródák eltávolítása

Nyomja meg az elektródatartó markolatát a rugó ellenében, így az elégett elektróda ki tud esni a tartóból.



Megjegyzés! Az elektródát ne kézzel távolítsa el a tartóból. Az elektróda nagyon forró!



Megjegyzés! A tűvesztély és az esetleges sérülés megelőzéséhez figyelje, hogy hová esik a hulladék elektróda.



Figyelmeztetés: A berendezés üzemeltetése és javítása előtt olvassa el a használati útmutatót.

Üzembe helyezés

4. Ábra

A kapcsoló (2) kezdőállása „OFF”-ra (kikapcsolt) van beállítva.

A gépnek 2 dugasa van, 230 V-ról vagy 400 V-ról használható.

- A VDE dugasszal csak 230 V-ról működik. Ha 230 V-ról szeretné működtetni a hegesztőgépet, csatlakoztassa a VDE dugaszt 230 V-os áramforrásra, majd fordítsa át a kapcsolót (2) „OFF” (kikapcsolt) állásból 230 V-os pozícióba.
- Az 5 érintkezős ipari dugasszal csak 400 V-ról használható. Csatlakoztassa az ipari dugaszt 400 V-os áramforrásra, majd fordítsa át a kapcsolót (2) „OFF” (kikapcsolt) állásból 400 V pozícióba.

A tűz és elektromos áramütés veszélye, illetve a személyi sérülések elkerülése érdekében kérjük, vegye figyelembe az alábbiakat:

- 1 A hegesztőgép üzemeltetése előtt győződjön meg róla, hogy a berendezés és a tápforrás névleges feszültsége megegyezik.
- 2 Kérjük, hogy a névleges feszültség beállítása előtt áramtalanítsa a berendezést.
- 3 A hegesztőgép névleges feszültségét tilos működés közben módosítani.

4. Működtetés

Használat előtt:

- a. Általános információk az elektromos ívhegesztésről
- b. Az elektróda
- c. Védőruházat

- d. Arcvédelem
- e. Munkakörnyezet

a. Általános információk az elektromos ívhegesztésről

Az ív hőmérséklete megközelítőleg 7000° Celsius, így az elektróda vége és a munkadarab megolvad. Mindaddig, amíg az ív fennáll, az elektróda megolvad, és biztosítja a szükséges hegesztő anyagot az összekapcsolandó részekhez. Az elektróda és a munkadarab közötti távolságnak a lehető legrövidebbnek kell lennie (körülbelül 1,5 - 4 mm), az elektróda átmérőjétől és típusától függően. A hegesztéshez szükséges áramot a hegesztő készülék szolgáltatja. A hegesztő készülék által igényelt teljesítmény a végzendő munkától függ. Bizonyosodjon meg róla, hogy az elektródák szárazak, mivel a nedves elektródák problémákat okoznak. Ha az elektróda a hegesztés során hozzáragad a munkadarabhoz, az áramerősség túl alacsonyra van beállítva.

b. Az elektróda

- Az elektróda egy bevonattal ellátott fémmagból áll. A bevonat legfontosabb célja, hogy védje a hegesztőanyagot és az átadásra kerülő cseppecskéket a környező levegő oxigénjétől és nitrogénjétől. Az elektróda a hegesztés során megolvad. A bevonat egy része elpárolog, így egy védő gázpajzs keletkezik. A bevonat egy része a hegesztőanyagban lebeg (könnyebb az acélnál), és szintén védi a lehílt varratot. Lehílés után ez a bevonat szilárd, de könnyen eltávolítható salakká válik a hegesztett kapcsolaton.
- Óvatosan kezelje az elektródákat, hogy a bevonat ne törjön el. Bizonyosodjon meg róla, hogy az elektródák teljesen szárazak, ezért tárolja azokat nedvességtől mentes helyen.
- A jó és erős hegesztett kapcsolat készítéséhez nagyon fontos a megfelelő elektróda használata. Az univerzális elektróda sok esetben megfelel a munkához. Az elektróda csomagolásán feltüntetésre kerül, hogy mely helyzetekben lehet az adott elektródákkal hegeszteni (fej fölött, lefelé, stb., észben tartva az elektróda leolvadásának sebességét). Külön elektródák kaphatók kereskedelmi forgalomban rozsdamentes acél és öntöttvas típusok hegesztéséhez. A megfelelő elektróda vásárlásához konzultáljon a kereskedővel.

c. Védőruházat

Viseljen teljesen fedő ruházatot, hogy a bőr ultraibolya sugárzás vagy fémfröccsenések általi megégésének a valószínűsége minimális legyen. Leginkább pamut kezecslábaszt, hegesztő kesztyűt és biztonsági cipőt viseljen. Bizonyosodjon meg róla, hogy a hegesztési fröccs nem tud bejutni a kesztyűbe vagy a cipőbe.

A (bőr) hegesztő kötény megállítja az égést és a kezecslábasokat károsító szikrákat.

d. Arcvédelem

2. Ábra

Használjon jó hegesztő álarcot (sötét) hegesztő üveggel és védőüveggel. Ellenőrizze, hogy mindkét üveg megfelelően van-e betéve (jól rögzül-e és nem teszi lehetővé a napfény bejutását). A hegesztő álarc megvédi a hegesztőt a sugárzástól, a hőtől és a hegesztési folyamat során kibocsátott hegesztési fröccstől. Ez a hegesztési gázok belélegzését is csökkenti. A láthatatlan ultraibolya sugarak úgynevezett "hegesztő villanást" okoznak. Ez már néhány másodperccel az ívfénybe történő belenézés után keletkezik. Kerülje el ennek a sugárzásnak és a magas hőmérsékletnek a hatásait az arcon és egyéb kitett testrészekeken, mint például a nyakon és a karokon.

Védekezzék a hegesztőív egészségre káros hatásai ellen (védőpajzs, védőruha), és a munkában nem résztvevő személyeket legalább 15 m távolságra küldje el.

A munkahely közelében tartózkodó személyeket oktassa ki a hegesztőív egészségkárosító hatásairól és az egyéb veszélyekről, valamint lássa őket el a szükséges munkavédelmi eszközökkel. Ha szükséges, akkor a hegesztés helyén állítson fel paravánt.

e. Munkakörnyezet

- Biztosítson jól szellőzött munkakörnyezetet. Hegesztés közben gázok szabadulnak fel, amelyek ártalmasak az egészségre.
- Távolítson el minden gyúlékony tárgyat a munkakörnyezetből. A hegesztés szikrákat és forró fémet okoz.
- Gondoskodjon róla, hogy legyen hitővíz a munkahely szomszédságában. Ne hagyja az éppen összehegesztett (forró) munkadarabokat felügyelet nélkül a munkahelyen. A munkahely elhagyása előtt hitse le a munkadarabot.

Védelem a sugárzással és a tizzel szemben.

- A munkahelyen ki kell tenni a „Figyelem! Szemsérülés veszélye” táblát, illetve „A villamos ívbe nézni tilos!” feliratot. A

munkahelyet lehetőleg hegesztő paravánnal kell körbevenni, hogy a közelben tartózkodókat ne érhesse káros sugárzás. Az illetéktelen személyeket küldje el a hegesztés helyétől.

- Az állandó hegesztési munkahelyen a falakat lehetőleg sötét és matt festékkel fesse be. Az ablakokat legalább szemmagasságig a visszatükröződést, és a kisugárzást megakadályozó matt festékkel kell befesteni.

Használatba vétel

3. Ábra

Tipp: Bonyolult munkadarabok hegesztésének elkezdése előtt a legjobb először kipróbálni a hegesztést egy tesztadarabon.

- Gondoskodjon egy tiszta munkadarabról: távolítsa el minden rozsdát, zsírt és festékmaradványt.
- Állítsa be a kívánt áramerősséget a hegesztő készülék elején található gomb használatával. Az áramerősség megválasztása a munkadarabtól és a használt elektróda típustól függ.
- Helyezze az elektróda bevonat nélküli részét az elektródatartóba és csatlakoztassa a földelő csatlakozót a munkadarabhoz.
- A főkapcsolóval kapcsolja be a hegesztő készüléket.
- Tartsa a hegesztő álcot az arca előtt és mozgassa az elektróda hegyét a munkadarab fölött, mintha egy gyufát gyújtana meg. Ez a legjobb módja a hegesztő ív elindításának. Ne üsse meg a munkadarabot az elektródával. Ez károsítja az elektródát és gátolja a hegesztő ív létrejöttét.
- A hegesztő ív létrejötte után azonnal próbálja meg egyenletesen tartani a távolságot az elektróda hegye és a munkadarab között. Akkora távolságot tartson, amely egyenlő az elektróda átmérőjével. Ezt a távolságot a hegesztés során próbálja annyira állandóként tartani, amennyire csak lehet.
- Az elektródát fokozatos húzó mozgással mozgassa a munkadarab fölött.
- Az elektróda és a munkadarab közötti szöveget tartsa 60° és 70° között a mozgás irányában.
- A hegesztett kapcsolat elkészítése után szakítsa meg az ívet úgy, hogy eltávolítja az elektródát a munkadarabtól.
- Kapcsolja le a hegesztő készüléket.



Megjegyzés: Ha a hegesztő készüléket bekapcsolva hagyja, nagy a

valószínűsége, hogy az elektróda érintkezni fog (a munkapadon keresztül) a földelő kábellel és spontán módon elkezd hegeszteni.

- A hegesztett kapcsolatról a salakot salakoló kalapáccsal távolítsa el.



Vigyázzon a forró repülő fémrészecskékre. Mindig viseljen védőszemüveget.

- Soha ne hegesszen salakmaradványok fölött: a salak szigetelő és szennyezett réteget alkot, és ennek eredményeként gyengíti a varratot (úgynevezett salakzárvány).
- Drótkéfével kefélje tisztára a varratot.



Megjegyzés: A munkadarab még mindig nagyon magas hőmérsékletű. Ne hagyja a forró munkadarabot felügyelet nélkül.

Hőmérséklet jelzőlámpa

1. Ábra

Amikor a hegesztő készülék hőmérséklete túl magasá válik, a beépített termosztát lekapcsol (a jelzőlámpa felgyullad). A beépített ventilátor leheti a gépet. Lehülés után a lámpa újra kialszik. Inkább hagyjon a gépnek elegendő időt a lehülésre; intenzív hegesztés esetén nagy a valószínűsége, hogy a hőkapcsoló néhány perc után ismét működésbe lép.

5. Szerviz és karbantartás



Ügyeljen, hogy a motor karbantartása során a fűrés mindig le legyen választva az elektromos hálózatról.

A gépek megtervezésüknek és összeállításuknak köszönhetően hosszú ideig és minimális karbantartással üzemeltethetők. A folyamatos jó működés a gép helyes kezelésével és rendszeres tisztításával biztosítható.

Meghibásodások

A gép esetleges hibás működésének lehetséges okait és a megfelelő megoldásokat az alábbiakban közöltük.

A hegesztő készülék nem működik

- A földelő csatlakozó nem érintkezik jól a munkadarabbal
- Az elektróda nincs jól betéve a tartójába

- A hőszabályozás ki van kapcsolva, vagy a hővédelmi funkció meghibásodott.
- A biztosíték hibás (a mérődobozban)
- A kábel megszakadt
A kapcsoló hibás/lépjén kapcsolatba a kereskedővel

Az elektróda folyton 'hozzáragad' a munkadarabhoz

- Használjon megfelelő típusú elektródát (univerzális)
- Az áramerősség túl alacsony/forgassa a 3-as gombot az óra járásával megegyező irányba

Az elektróda narancsvörös

- Az áramerősség túl magas ehhez a típusú elektródához/forgassa a 3-as gombot az óra járásával ellenkező irányba

Az elektróda túlzottan fröcsköl és sok zajt kelt a hegesztés során

- Az áramerősség túl magas/forgassa a 3-as gombot az óra járásával ellenkező irányba

A gép túl forró; a jelzőlámpa bekapcsol

- A szellőzőnyílások eldugultak/tisztítsa meg őket egy száraz ruhával; várjon pár percet, amíg a lámpa újra kialszik



A gép csináltatását csakis elismert elektromos műszerészre bizza!

Karbantartás

- Győződjön meg róla, hogy a szellőzőnyílások por- és szennyeződésmentesek. A makacs szennyeződések eltávolításához használjon szappanos vízzel megnedvesített, puha törölkendőt. Ne használjon oldószereket, pl. benzint, alkoholt vagy ammóniát, stb.
- Győződjön meg róla, hogy az elektródatartó és a földelő csatlakozó korróziómentes maradt, így továbbra is jó elektromos érintkezést tudnak létrehozni.
- Rendszeresen ellenőrizze, hogy a hegesztő és a munkadarab kábelek szilárdan rögzítve vannak-e a csatlakozásaikban.

Olajozás

A gép külön olajozást nem igényel.

Meghibásodás

Ha meghibásodás fordulna elő, pl. egy alkatrész kopása után, kérjük, forduljon a garanciajegyen feltüntetett szervizhez. Ennek a kézikönyvnek a

hátluján talál egy perspektivikus bontott részabrázolást, amely a rendelhető alkatrészeket mutatja.

Környezet

A szállítás során bekövetkező esetleges sérülések elkerülése érdekében a gép meglehetősen erős csomagolásban kerül leszállításra. A csomagoláshoz felhasznált anyagok nagy része újrafeldolgozható. Kérjük, hogy ezeket az anyagokat vigye a megfelelő szemétfeldolgozó telepekre.



A meghibásodott vagy használhatatlanná vált elektromos berendezéseket adja le újrafeldolgozásra.

Csak az Európai Közösség országaiban

Az elektromos eszközöket ne dobja a háztartási hulladékok közé. Az 2012/19/EU Európai Irányelv - Elektromos és elektronikus berendezések hulladékai - és ennek nemzeti szabályozása alapján, azokat az elektromos eszközöket, melyek többé már nem használhatóak, külön kell összegyűjteni, és környezetbarát módon kell megszabadulni tőlük.

Garancia

A garanciális feltételeket a kézikönyvhöz csatolt garanciaártya tartalmazza.

OBLOUKOVÁ SVÁŘEČKA 55 - 160A

Čísła v textu se odvolávají na diagramy na stranách 2+109



Pro vaší vlastní bezpečnost a pro bezpečnost ostatních vám doporučujeme, aby jste si před použitím pily pozorně přečetli tento návod k použití. Tento návod k použití adokumentaci k pile si odložte pro pozdější použití.

Úvod

Proces tavného svarování je založen na tom, že pod vlivem dodaného tepla se opracovávaný materiál roztaví. Používá se zde sváreční materiál (elektrody) stejně jako u sváření elektrickým obloukem. Svar vzniká po ztuhnutí.

Potřebné teplo se získá elektrickým obloukem mezi elektrodou a obrobkem. Proces sváření vyžaduje vysoký proud (55-160 A) s relativně nízkým napětím (10–48 V). Transformátor ve sváreční přístroji zabezpečuje snížení napětí sítě (400 V).

Agregát není vhodný pro živnostenské nasazení!

Obsah

1. Informace o stroji
2. Bezpečnostní pokyny
3. Upevnění příslušenství
4. Obsluha
5. Servis a údržba

1. Informace o stroji

Technické údaje

Napětí	230 / 400 V ~
Frekvence	50 Hz
Svařovací proud	55 / 140 A (230 V) / 160 A (400 V)
Napětí naprázdno	48 V / 230 V
Zátěžový faktor	0.62
Průměr elektrod	2 - 4 mm
Hmotnost	22.1 kg
Rozměry	56 x 32.5 x 40 cm
Tepelná ochrana	105 °C (±5 °C)
Napájecí kabel	HO7RN-F 3x1.5 mm ² 2m
Svařovací kabel	HO1N2-D 1x16 mm ² 2m

Obsah balení

- 1 Sváreční přístroj
- 1 Sváreční maska
- 1 Drátěný kartáč/oklepávací

- 1 Návod k použití
- 1 Bezpečnostní předpisy
- 1 Záruční list

Zkontrolujte, jestli při prepravě nedošlo k poškození přístroje, přiložených součástí nebo příslušenství.

Informace o výrobku

Obr. 1 & Obr. 2

1. Kontrolka teploty
2. Vypínač
3. Otokný knoflík pro nastavení intenzity proudu
4. Sváreční kabel s držákem elektrody
5. Uzemňovací kabel s příslušenstvím
6. Gumová nožička
7. Rukojeť
8. Ventilací prouduchy
9. Drátěný kartáč/oklepávací
10. Sváreční maska
11. Elektrody

Stul: nastavení a použití

Ø elektrody (mm) Intenzita proudu (A) Vhodné kromě jiného pro:

2	50-75	Tloušťka materiálu 2-3 mm Oprava držáku na zdi
2.5	70-100	Tloušťka materiálu 4-5 mm Zahradní plot, zahradní hracky
3.2	95-150	Tloušťka materiálu 6-7 mm Přístřešek pro auto, garáž
4	130-220	Tloušťka materiálu 8-12 mm Konstrukce (těžká)

2. Bezpečnostní pokyny



Pozor! Přečtěte si návod k obsluze.

Vysvětlení symbolu



Oznacuje riziko osobního zranění, ztráty života nebo poškození nástroje v případě nedodržení pokynu v tomto návodu.



Oznacuje nebezpečí elektrického šoku.



Vyjmete zástrčku ze sítě.



Udržujte okolo stojící osoby v dostatečné vzdálenosti.



Chránit proti déšť



Noste bezpečnostní brýle a ušní ochranu.



Noste ochranné rukavice.



Behem sváření vždy používejte svářecí ochrannou masku



Používejte ochranný odev

EN60974-6 Norma pro svářecí přístroje pro manuální sváření kovu obloukem s omezeným výkonem.

EMC classification in accordance with IEC 60974-10



Držák elektrody



Koncovka uzemnění



Klesavé napětí



Jednofázový transformátor



Napájecí okruh, 1 nebo 3 fáze, ~50 Hz



Prumer elektrody



Tavení 16A

¹max

Maximální intenzita primárního proudu v ampérech

²

Intenzita sekundárního proudu v ampérech

●●● Maximální jmenovitá doba svařování v přerušovaném režimu

— Maximální jmenovitá doba svařování v nepřetržitém režimu

IP21S Trída ochrany. Utesneno vůči predmetum do 12 mm a proti kolmému kapání vody. Prerušení s kontrolou vody.

H Trída izolace

U₀ Jmenovité napětí naprázdno

U₁ Jmenovité napájecí napětí

U₂ Hodnoty napětí při běžném zatížení

I_{1eff} Maximální efektivní napájecí proud

Všeobecné bezpečnostní pokyny pro svářecí přístroje

- Uživatel stroje musí být poučený o použití a obsluze stroje.
- Zajistete dobre osvetlené a čisté pracovní prostředí.
- Pred prováděním údržby stroje vždy vytáhnete zástrčku z elektrické zásuvky.
- Když stroj opouštíte, vytáhnete zástrčku z elektrické zásuvky.
- Stroj nepoužívejte, dokud není stroj úplně poskládaný a nainstalovaný podle popisu v tomto návode.

Specifické bezpečnostní pokyny pro svářecí přístroj

- Sváření způsobuje jiskry a horký kov. Nezapomente, že to tvorí požární riziko a odstrante z pracovního prostředí všechny horlavé predmety.
- Zabezpečte dobrou ventilaci pracovního prostředí. Pri sváření se uvolňují plyny, které jsou nebezpečné pro zdraví.
- Nesvarujte nádoby nebo trubky, které obsahují nebo by mely obsahovat horlavé kapaliny nebo plyny (nebezpečí požáru nebo exploze).
- Nesvarujte materiály, které byly vycištěny vysoce horlavými kapalinami nebo mají natrené povrchy (pravdepodobnost uvolnění nebezpečných plynu).

- Nepracujte v mokřem nebo vlhkém prostředí a nespávejte v dešti.
- Vždy si chrante oči dodanou svářecí maskou.
- Používejte rukavice a ochranný odev, který musí být suchý a neznecistený olejem nebo jinými nečistotami.
- Struska, kterou je třeba odštipnout, je nekdy rozpálená a může při odstraňování způsobit vážná zranění očí. Vždy používejte ochranné brýle a rukavice.
- Behem sváření může vaši pokožku spálit ultrafialové záření. Proto vždy používejte vhodný ochranný odev.
- Vášsvářecí přístroj je chráněn proti pretižení. Svářecí přístroj se proto při pretižení automaticky vypne. Svářecí přístroj se znovu automaticky zapne, když se dostatečně vychladí.
- Behem sváření a chlazení vašeho obrobku se může obrobek kvůli namáhání deformovat. Toto mejte vždy na pameti.
- Smí se používat jen svarovací vodice, které jsou v rozsahu dodávky (O/ 10 mm² pryží chránené svarovací vodice).
- V prostorách ohrožených nebezpečím požáru a výbuchu platí zvláštní predpisy.
- Svarované spoje, které jsou vystaveny velkému namáhání a musí splňovat určité bezpečnostní požadavky, se smí provádět jen zvlášť vyškolenými a zkoušenými sváreči. Například: tlakové kotle, kolejnice, závesná zařízení návesu atd.
- Pozor: pripojte uzemnovací svorku vždy co možná nejbliže ke svarovanému místu, takže svarovací proud může probíhat nejkratší možnou cestou od elektrody k uzemnovací svorce. Nikdy nepřipojujte uzemnovací svorku s telesem svarovacího agregátu! Nikdy nepřipojujte uzemnovací svorku na uzemnené součásti, které jsou příliš vzdáleny od obrobku, např. na vodovodní trubku v jiném rohu místnosti. Jinak by mohlo dojít k tomu, že se poškodí systém ochranného vedení v místnosti, ve které svarujete.
- Zabezpečení přípojek k síťové zásuvce musí odpovídat predpisem (VDE 0100). Ochranné kontakty zásuvek smí být zabezpečený (pojistkami nebo ochrannými spínací vedení) s max. 16A (Typy a technické údaje: RT14-20, O/ 10 x 38, AC 400 V 16A. IEC 60269. Málo aktivní. Výrobce: Chint). Vyšší jištění mohou mít za následek požár vedení, příp. poškození budovy.

Elektrická bezpečnost



Stroj okamžitě vypnete, pokud je chyba v elektrické zásuvce, napájecím kabelu nebo pokud je poškozen kabel.

- je vadný vypínač.
- vidíte dým nebo cítíte zápach způsobený spálenou izolací.
- Presvedct se, že zapojení svářecího přístroje a elektrické instalace je řádne provedeno. Nebezpečí elektrického šoku může ohrozit život.
- Vždy zabezpecte dobré spojení držáku elektrody a koncovky uzemnení.
- Nedovolte, aby se elektrické kabely znicily tažením. Pred presunutím svářecího přístroje odpojte kabely.
- Vyhnete se kontaktu s elektricky vodivými částmi svářecího přístroje, držáku elektrody a koncovky uzemnení.
- Vždy zkontrolujte, zda napětí ve vaší síti odpovídá hodnotě na typovém štítku přístroje.
- Pri výmene kabelu nebo zástrček: Staré kabely a zástrcky odhodte okamžitě po jejich výmene za nové. Vložení uvolnené zástrcky do zásuvky je nebezpečné.
- Pro všechny svářecí přístroje pracující na 230 voltu použijte nejméne 16 ampérovou pojistku.
- Pri použití prodlužovacích kabelu: Používejte pouze schválené prodlužovací kabely vhodné pro napájení tohoto přístroje. Jádro musí mít průměr nejméne 1,5 mm². Pokud je prodlužovací kabel na cívce, úplně ho odrolujte.
- Práce na strane síťového napětí, např. na kabelech, zástrčkách, zásuvkách atd. nechte provést jen odbornými elektrikáři.

3. Upevnění příslušenství



Pri montáži příslušenství se presvedct, zda byla vytáhnuta zástrčka z elektrické zásuvky.



Upozornění! V závislosti od podmínek elektrické sítě v přípojném bode, zdroj svarovacího výkonu může rušit dodávku elektriny jiným uživatelem. Pokud máte pochybnosti ohledne této otázky, odpověd byste měli hledat u dodavatele elektrické energie.

Instalace přístroje

- Sváreční přístroj nainstalujte na suchém a cistém místě (bez železného prášku, prachu a náteru).
- Sváreční přístroj umístete na pevný a rovný povrch nejméně 20 cm od zdi.
- Sváreční přístroj chrante před deštěm a silným slunečním světlem.

Sváreční maska

Obr. 2

- Sestavte svařovací masku upevněním rukojeti pomocí dodaných šroubů.
- Svétlé sklo (ochranné sklo) umístete před tmavé sváreční sklo. Umístěte do průhledu skla a zajistěte je.
- Presvedčte se, že skla jsou umístěny tak, že přes otvory nemůže procházet žádné (škodlivé) světlo.
- Když se výhled na obrobek během sváření stane nedostatečným, vymente světlé ochranné sklo. Výmena tmavého svárečního skla je omnoho dražší než výmena světlého ochranného skla.

Upevnění nových elektrod

Elektroda pozůstává z kovového jádra uloženého v pouzdře. Na jednom konci není jádro elektrody pokryto pouzdrem.

- Zatlačte rukojet držáku elektrody proti pružině.
- Elektrodu vložte nepokrytým koncem (+/- 2 cm) do držáku elektrody. Presvedčte se, že nekrytá část je v dobrém kontaktu s kovovými částmi držáku elektrody (elektroda není zatlačena příliš hluboko v držáku elektrody).
- Uvolnete rukojet příchytky. Elektroda je tím upevněna.



Poznámka! Nedovolte, aby elektroda shorela do délky menší než +/- 5 cm kvůli prehrátí a/nebo deformaci držáku elektrody. Shorenou elektrodu by bylo těžké vyjmout.

Vyjmutí použitých elektrod

Stisknete příchytku držáku elektrody proti pružině, aby vyhorená elektroda mohla z držáku vypadnout.



Poznámka! Elektrodu nevyjímejte z držáku rukou. Elektroda je velmi horká!



Poznámka! Dávejte pozor, kam vyhorená elektroda padne, abyste zabránili riziku požáru a možného zranění.



Varování: Před použitím tohoto zařízení a před prováděním jeho údržby si přečtěte návody k obsluze.

Instalace

Obr. 4

Výchozí polohou spínače (2) je nastavení v poloze VYPNUTO (OFF).

Tento stroj je vybaven 2 zástrčkami, které mohou být použity pro napájecí napětí 230 V nebo 400 V.

- Se zástrčkou VDE může být použit pouze v poloze 230 V. Chcete-li, aby svářečka pracovala s napětím 230 V, připojte zástrčku VDE k napájecímu zdroji s napětím 230 V a potom nastavte spínač (2) z polohy VYPNUTO (OFF) do polohy 230 V.
- S průmyslovou zástrčkou s 5 kolíky může být použit pouze v poloze 400 V. Připojte průmyslovou zástrčku k napájecímu zdroji s napětím 400 V a potom nastavte spínač (2) z polohy VYPNUTO (OFF) do polohy 400 V.

Dodržujte prosím níže uvedené pokyny, abyste zabránili riziku způsobení požáru, úrazu elektrickým proudem nebo jinému zranění osob:

- 1 Před použitím tohoto svařovacího zařízení se prosím ujistěte, zda se jmenovité napájecí napětí tohoto zařízení shoduje s napájecím napětím v síti.
- 2 Před nastavením požadovaného jmenovitého napětí prosím odpojte toto zařízení od napájecího napětí.
- 3 Nastavování jmenovitého napájecího napětí během provozu tohoto zařízení je zakázáno.

4. Obsluha

Před použitím:

- a. Všeobecné informace o sváření elektrickým obloukem
- b. Elektroda
- c. Ochranný odev
- d. Chránic obliceje
- e. Pracovní prostředí

a. Všeobecné informace o sváření elektrickým obloukem

Teplota oblouku dosahuje přibližně 7000°C, stejně jako konec elektrody a tavení obrobku.

Dokud se oblouk udržuje, elektroda se bude tavit a

tím dodávat nezbytný svářecí materiál na části, které je třeba spojit. Vzdálenost mezi elektrodou a obrobkem musí být co nejmenší (přibližně 1,5 - 4 mm), v závislosti od průměru a typu elektrody. Proud potřebný pro sváření se dodává ze svářecího přístroje. Energie, kterou potřebuje svářecí přístroj, závisí od práce, která se bude delat. Presvědčte se, že elektrody jsou úplně suché, protože vlhkost na nich způsobuje problémy. Pokud se elektroda přilepí během sváření k obrobku, intenzita proudu je nastavena příliš nízkou.

b. Elektroda

- Elektroda pozůstává z kovového jádra uloženého v pouzdře. Pouzdro má nejdůležitější smysl chránit tavnou lázeň a přenášené kapicky proti kyslíku a dusíku v okolním vzduchu. Elektroda se během sváření taví. Část pouzdra se vyparuje, aby se vytvořil ochranný plynový štít. Část pouzdra vytéká do tavné lázně (je lehčí než ocel) a taky chrání chladnoucí svar. Po vychlazení toto pouzdro ztuhne, ale lze ho snadno ze svaru odstranit.
- Selektrodami manipulujte opatrně, aby se pouzdro nezlomilo. Presvědčte se, že elektrody jsou úplně suché, proto je uschovávejte na místě, kde není vlhkost.
- Je velmi důležité použít správnou elektrodu, aby byl vytvořen dobrý a pevný svar. V mnoha případech bude pro vaši práci vhodná univerzální elektroda. Obal elektrody uvádí, ve které pozici je možné provádět sváření s danými elektrodami (nad hlavou, směrem dolů atd., což bere v úvahu rychlost tavení elektrody). Samostatné elektrody jsou komerčně dostupné pro sváření různých typů nerezové oceli a slitiny. Obratě se na svého prodejce, aby vám poradil při výberu správné elektrody.

c. Ochranný odev

Používejte odev, který vás úplně zahálí, abyste minimalizovali riziko spálení pokožky ultrafialovým zářením nebo vystríknutým kovem. Nejlépe je použít bavlnený overal, svářecí rukavice a ochranné boty. Ujistete se, že odlítnuté kapky ze sváření nemohou skončit v rukavicích nebo botách. (Kožená) svářecí zástera zastaví horeň a jiskry, které mohou poškodit overal.

d. Ochrana obličeje

Obr. 2

Použijte dobrou svářecí masku s (tmavým)

svářecím sklem a ochranným sklem. Zkontrolujte, zda jsou obe skla správně namontované (dobře upevněné a nepropouštějící žádné světlo). Svářecí maska chrání svářece před zářením, teplem a úlomky, které se uvolňují během procesu sváření. Zároveň snižuje inhalaci výparu ze sváření.

Neviditelné ultrafialové paprsky způsobují takzvané "svářecí záblesky". Ty vznikají již po několika vteřinách dívání se do elektrického oblouku.

Vyhnete se účinkům tohoto záření a vysokých teplot na obličeje a jiné vystavené části tela, jako je krk a ramena.

Chraňte se před nebezpečnými efekty světelného oblouku a vzdalte osoby, které se neúčastní práce, zejména do vzdálenosti 15 m od světelného oblouku.

Také osoby nebo pomocníci nacházející se v blízkosti světelného oblouku musí být poučeny o nebezpečích a vybaveny potřebnými ochrannými pomůckami. Když je zapotřebí, postaví se ochranné steny.

e. Pracovní prostředí

- Zajistete dobře ventilované pracovní prostředí. Při sváření se uvolňují plyny, které jsou nebezpečné pro zdraví.
- Zpracovního prostoru odstraňte všechny horlavé předměty. Sváření způsobuje jiskry a horký kov.
- Presvědčte se, že v blízkosti pracovního prostoru je k dispozici chladicí voda. Nenechávejte právě svařené (horké) obrobky na pracovišti bez dozoru. Před opuštěním pracoviště obrobek vychladte. Ochrana proti záření a popáleninám.
- Na pracovišti musí být umístěny tabule poukazující na nebezpečí poškození očí "Pozor! Nedívat se do plamene!" Pracoviště je nutné pokud možno odstínit tak, aby se chránily osoby, které se nacházejí v blízkosti. Nepovolané osoby se musí vzdálit od svařovacích prací.
- V bezprostřední blízkosti stabilních pracovišť by stěny neměly být svetlobarevné a lesklé. Okna se musí zajistit zejména až do výše hlavy proti propuštění nebo zpetného zrcadlení záření, např. vhodným náterem.

Uvedení do provozu

Obr. 3

Tip: Před zahájením sváření náročných obrobků je nejlépe vyzkoušet si sváření na pokusném kusu.

- Zajistíte čistý obrobek: odstráňte rez, mastnotu a zbytky náteru.
- Nastavte potrebnou intenzitu proudu pomocí ovladace na prední strane svářečícího přístroje. Výber intenzitu proudu závidí od obrobku a typu použité elektrody.
- Část elektrody bez pouzdra umístete do držáku elektrody a koncovku uzemnění připojte k obrobku.
- Svářečící přístroj zapnete hlavním vypínacem.
- Svářečící masku si držte před oblicí, jako byste zapalovali zápalku. Je to nejlepší způsob pro spuštění svářečícího oblouku. Obrobek elektrodou neškrtejte. Poškodí se tím elektroda a zabrání to vytvoření svářečícího oblouku.
- Po vytvoření svářečícího oblouku se okamžitě snažte udržovat vzdálenost mezi hrotem elektrody a obrobkem na stejné úrovni. Tuto vzdálenost udržujte tak, aby odpovídala průměru elektrody. Tuto vzdálenost udržujte během sváření co nejvíce konstantní.
- Elektrodu nad obrobkem posouvajte postupným tažením.
- Úhel mezi elektrodou a obrobkem udržujte mezi 60° - 70° ve směru pohybu.
- Po vytvoření svaru přerušte svářečící oblouk odepnutím elektrody od obrobku.
- Svářečící přístroj vypnete. Poznámka Pokud necháte svářečící přístroj zapnutý, je vysoká pravděpodobnost, že elektroda se dostane do kontaktu (pres pracovní stůl) s uzemňovacím kabelem a spontánně začne sváření.
- Pomocí oklepávacího nástroje odstráňte ze svaru strusku. Dávejte pozor na horké letící kovové částky. Vždy používejte ochranné brýle.
- Nikdy nesvarujte pres zbytky strusky: struska vytváří izolační a kontaminovanou vrstvu a tím oslabuje svar (takzvaný vnik strusky).
- Svar obruste docista pomocí drátěného kartáče. Poznámka Obrobek má stále velmi vysokou teplotu. Nenechávejte horký obrobek bez dozoru.

Kontrolka teploty

Obr. 1

Když se teplota svářečícího přístroje příliš zvýší, zabudovaný termostat ho vypne (rozsvítí se kontrolka). Zabudovaný ventilátor přístroj ochladí. Po vychlazení kontrolka opět zhasne.

Radeji nechte přístroj dostatečný čas, aby se vychladil. Při intenzivním sváření je velká

pravděpodobnost, že tepelná pojistka přístroj po několika minutách znovu odstává.

5. Servis a údržba



Ujistete se, že přístroj není zapnutý a je odpojen od sítě, jestliže provádíte údržbu motoru.

Přístroje značky sou konstruovány pro dlouhodobé používání při minimální údržbě. Budou fungovat bez problému, pokud se jim bude venovat náležitá péče a pokud budou pravidelně čištěny.

Závady

Pokud stroj nefunguje správně, níže je uvedeno několik možných příčin a příslušná řešení.

Svářečící přístroj nefunguje

- Koncovka uzemnění nemá dostatečný kontakt s obrobkem
- Elektroda není řádně umístěna v držáku
- Tepelná kontrola vypnuta nebo poškození tepelné ochrany.
- Vadné tavení (v merici skříní)
- Kabel je zlomený
- Vypínač je vadný/obratte se na prodejce

Elektroda se stále "lepí" na obrobek

- Použijte správný typ elektrody (univerzální)
- Intenzita proudu je příliš nízká/otočte ovladac 3 ve směru hodinových ručiček

Elektroda je oranžovo-cervená

- Intenzita proudu je příliš vysoká pro tento typ elektrody/otočte ovladac 3 proti směru hodinových ručiček

Ze elektrody se během sváření nadměrně jiskří a vzniká velký hluk

- Intenzita proudu je příliš vysoká/otočte ovladac 3 proti směru hodinových ručiček

Přístroj je příliš horký; kontrolka svítí

- Ventilací proudy jsou zablokované/-vycistete je suchým hadrem, počekejte několik minut, dokud kontrolka znovu nezhasne



Opravy přístroje může provádět pouze kvalifikovaný opravář nebo servisní středisko.

Údržba

- Presvedctv se, že ventilacní pruduchy jsou bez prachu a nečistot. Použijte měkký hadr namočený do mýdlové vody, abyste odstranili zatvrdnuté nečistoty. Nepoužívejte žádná rozpouštědla jako benzín, alkohol, cpavek, atd.
- Presvedctv se, že držák elektrody a koncovka uzemnění nejsou zkorodovány, aby vytvářely dobrý elektrický kontakt.
- Pravidelně kontrolujte, zda sváreční kabel a kabel obrobku je pevně přichycen na místě.

Mazání

Přístroj nevyžaduje žádné dodatečné mazání.

Závady

Vznikne-li závada na některé součástce, například vlivem opotřebení, kontaktujte prosím servisní adresu uvedenou na záruční kartě. Na zadní straně návodu naleznete schematický náčrt, které součástky lze objednat.

Životní prostředí

Přístroj je dodáván v odolném balení, které zabranuje jeho poškození během přepravy. Většinu z materiálu, které jsou na balení použity, lze recyklovat. Zbavujte se jich proto pouze na místech určených pro odpad příslušných látek.



Vadný a nebo vyhozený elektrický či elektronický přístroj musí být dodán na příslušné recyklační místo.

Pouze pro krajiny ES

Elektricky napájené zařízení neodhazujte do domovního odpadu. Ve smyslu evropské směrnice 2012/19/EU o elektrickém a elektronickém odpadu a její implementace do národního práva, se musí elektrické nástroje, které se již déle nepoužívají, shromážďovat odděleně a likvidovat pouze způsobem, jenž nepoškozuje životní prostředí.

Záruka

Záruka je poskytována za podmínek, jež najdete na samostatném záručním listu, který je přiložen k výrobku.

OBLOČNÍ VARILNÍ STROJ 55 - 160A

Številke v besedilu ustrezajo diagramom na straneh 2+109



Za vašo varnost in varnost drugih vam priporočamo, da pred uporabo žage natančno preberete ta navodila. Priročnik in priloženo dokumentacijo shranite za nadaljnjo referenco.

Uvod

Spoustopkom talilnega varjenja se tali material obdelovanca pod vplivom dobavljene vročine. Z elektricnim obločnim talilnim varjenjem se uporabljata tudi varilni material (elektrode). Var nastane po strditvi.

Temperatura, ki je potrebna za varjenje, ustvarja elektricni oblok med elektrodo in obdelovancem.

Zapostopek varjenja se zahteva močen tok (55-160 A) z razmeroma nizko napetostjo (10–48 V). Pretvornik v varilni napravi znižuje omrežno napetost (400V).

Agregat ni primeren za obrtniško uporabo.

Vsebina

1. Informacije o stroju
2. Varnostna navodila
3. Montažni dodatki
4. Obratovanje
5. Servis in vzdrževanje

1. Informacije o stroju

Tehnični podatki

Napetost električnega toka	230 / 400 V ~
Frekvenco	50 Hz
Jakost toka varjenja	55 / 140 A (230 V) / 160 A (400 V)
Napetost pri neobremenitvi	48 V / 230 V
Koeficient jakosti toka	0.62
Premer elektrode	2 - 4 mm
Teža	22.1 kg
Dimenzije	56 x 32.5 x 40 cm
Toplotna zaščita	105 °C (±5 °C)
Električni kabel	HO7RN-F 3x1.5 mm ² 2m
Varilni kabel	HO1N2-D 1x16 mm ² 2m

Vsebina paketa

- Varilna naprava
- Varilna maska
- Žična krtaca/kladivo za čiščenje kotlovcva
- Priročnik za uporabnika

- Varnostna navodila
- Garancijski list

Prepricajte se, da izdelek in njegovi nastavki niso bili poškodovani med transportom.

Tehnicni podatki

Slika 1 & Slika 2

1. Svetlobni kazalnik temperature
2. Stikalo ON/OFF (vklop/izklop)
3. Vrtilni gumb za nastavljanje jakosti toka
4. Varilni kabel z držalom za elektrodo
5. Ozemljitven kabel z napeljavo
6. Gumast pokrov
7. Rocaj
8. Ventilacijske reže
9. Žična krtaca/kladivo za čiščenje kotlovca
10. Varilna maska
11. Elektrode

Tabela: nastavitve in uporaba

Ø Elektroda (mm)	Jakost toka (A)	Primerno za med drugim:
2	50-75	Debelina materiala 2-3 mm Popravilo stenskega stojala
2.5	70-100	Debelina materiala 4-5 mm Vrtna ograja, vrtna igrala
3.2	95-150	Debelina materiala 6-7 mm Stranska garaža, garaža
4	130-160	Debelina materiala 8-12 mm Konstrukcija (težka)

2. Varnostna navodila



Pozor! Preberite navodila za uporabo.

Pomen simbolov



Naprava II. razreda – dvojna izolacija – Ne potrebujete vtikaca z ozemljitvijo.



Oznacuje nevarnost poškodb, smrti ali materialnih škod na napravi in predmetih zaradi neupoštevanja navodil, ki so zajeta v tem priročniku.



Oznacuje nevarnost elektricnega udara.



Vtikac izvlecite iz vtičnice na zidu.



Druge osebe v bližini morajo stati v varni razdalji.



brani pred dež.



Uporabljajte zaščitna očala in zaščito za sluh.



Uporabljajte zaščitne rokavice.



Med varjenjem uporabljajte varilno masko.



Uporabljajte zaščitna oblacila.

EN60974-6

Standard za varilne naprave za rocno kovinsko obločno varjenje z omejeno storilnostjo.

EMC razvrstitev v skladu z IEC 60974-10



Držalo za elektrode



Priključna sponka za ozemljitev



Padajoca napetost



Enofazni pretvornik



Napajanje, 1-fazni ali 3-fazni tokokrog ~50 Hz



Premer elektrode



Talilni vložek 16A

I_{1max}

Najvecja primarna jakost toka, merjena v amperih

I₂

Sekundarna jakost toka, merjena v amperih

●●● *Maksimalni čas varjenja v pretrganem načinu*

■ *Maksimalni čas varjenja v nepretrganem načinu*

IP21S *SZaščitni razred; zatesnjeno za predmete do 12 mm in proti navpicnemu padanju kapljavae vode. Zaustavitev z regulacijo vode*

H *Izolacijski razred*

U₀ *Nazivna napetost brez obremenitve*

U₁ *Nazivna napetost - dovodna*

U₂ *Napetost pri običajni obremenitvi*

I_{eff} *Največja efektivna vrednost toka*

Splošna varnostna navodila za varilne naprave

- Uporabnik stroja mora prejeti ustrezna navodila o tem, kako uporabljati in obratovati stroj.
- Zagotovite dobro osvetljeno in čisto delovno okolje.
- Pred izvajanjem vzdrževalnih del na stroju vedno najprej izvlecite vtac iz omrežne vticnice.
- Izvlecite vtac iz omrežne vticnice, ko zapustite stroj.
- Stroja ne zapustite, preden ga v celoti ne sestavite in montirate v skladu z navodili v priročniku. Posebna varnostna navodila za varilne naprave
- Pri varjenju se iskri in nastajajo vroče kovine. Pomnite, da obstaja nevarnost požara, zato odstranite vse vnetljive predmete iz delovnega okolja.
- V delovnem okolju zagotovite dobro zrcenje. Pri varjenju se sproščajo plini, ki so nevarni za zdravje.
- Ne varite posod ali cevi, ki vsebujejo ali držijo vnetljive tekoce in pline (nevarnost požara ali eksplozije).
- Ne varite materialov, ki so očišчени s hitro vnetljivimi tekočinami ali materialov z barvanimi površinami (možno sproščanja nevarnih plinov).
- Ne delajte v vlažnem ali mokrem okolju in ne varite na dežju.
- Vedno zaščitite oči s priloženo masko za varjenje.

- Uporabljajte suhe rokavice in zaščitna oblačila, ki ne smejo biti onesnažena z oljem in drugo umazanijo.
- Žlindra, ki se mora odščipniti, je včasih žareče vroča in lahko med odstranjevanjem povzroci resne poškodbe oči. Vedno uporabljajte zaščitna očala in rokavice.
- Ultravijolično sevanje lahko med varjenjem ožge kožo. Za delo oblecite primerno zaščitno oblačilo.
- Varilna naprava je zaščitena pred preobremenitvijo. Varilna naprava se samodejno izklopi, ko je preobremenjena. Varilna naprava se samodejno vklopi, ko se zadostno ohladi.
- Med varjenjem in ohlajanjem lahko obdelovanec pod stresi spremeni obliko. Upošteвайте to.
- Lahko se uporabljajo samo varilni prevodniki, ki so sestavni del dobave (O/ 10 mm² zgumo zaščiteni varilni prevodniki).
- V prostorih, kjer grozi nevarnost požara in eksplozije veljajo posebni predpisi.
- Varilni spoji, ki so izpostavljeni visokemu naporu in morajo izpolnjevati določene varnostne zahteve, lahko izvajajo samo posebej izučeni in preverjeni varilci. Na primer: tlačni kotli, tirnice, obešalne naprave prikolic, itd.
- Pozor: ozemljitven prižemnik vedno priključuje kar se da najbližje k varilnemu mestu, tako, da tok varjenja lahko poteka po najkrajši možni poti od elektrode k ozemljitvenemu prižemniku. Nikoli ne priključuje ozemljitvenega prižemnika skupaj s trupom varilnega agregata! Nikoli ne priključuje ozemljitvenega prižemnika na ozemljene dele, ki so prevec oddaljeni od obdelovanca, npr. navodovodno cev v drugem kotu prostora. Lahko pride do poškodbe sistem zaščitne napeljave v prostoru, kjer se vari.
- Zaščita priključkov k omrežni vticnici mora odgovarjati predpisom (VDE 0100). Zaščitni kontakti vticnic morajo biti zaščiteni (z varovalkami ali zaščitnimi stikali napeljave) z maks. 16A (vrste in tehnični podatki: RT14-20, O/ 10 x 38, AC 400 V 16A. IEC 60269. Manj aktivni. Proizvajalec: Chint). Mocnejše varovanje lahko povzroci požar napeljave, oziroma poškodbo zgradbe.

Elektricna varnost



*Stroj nemudoma izklopite:
Okvara v omrežnem vticu, napajalnem
kابلu ali poškodbe kabla.*

- Defektno stikalo.
- Prisoten dim oziroma vonj po osmojeni izolaciji.



*Opozorilo! Vir varilne moci lahko povzroci
motnje dobave elektricne energije drugim
porabnikom, odvisno od pogojev
omrežne napeljave na točki povezave. Če
ste v kakršnihkoli dvomih v zvezi s tem,
poiščite nasvet pri tehnicnih delavcih s
področja dobave elektricne energije.*

- Varilna naprava in električno ožičenje morata biti pravilno povezana. Vsaka možnost električnega udara lahko ogrozi življenje.
- Zagotovite dobre povezave za držalo in tudi priključno sponko za ozemljitev.
- Preprecite poškodbe električnih kablov in jih ne vlecite. Pred premikanjem varilne naprave prekinite povezave kablov. Preprecite stik z električnim prevodnim delom varilne naprave, držalom in priključno sponko za ozemljitev.
- Omrežna napetost mora ustrezati vrednosti, ki je označena na ploščici s tehničnimi podatki stroju.
- Menjava kablov ali vticev: Stare kable in vtice nemudoma zavržite, takoj ko ste jih zamenjali z novimi. Vstaviti vticev zrahljanega kabla v vticnico je nevarno.
- Za vse varilne naprave, ki delujejo na 230 voltov, uporabljajte vsaj talilni vložek 16A.
- Uporaba podaljškov: Uporabljajte le podaljške z ustreznim potrdilom, ki ustrezajo moci stroja. Najmanjši premer jedra je 1,5 mm². Če uporabljate podaljšek na motku, vedno letega odvijte do konca. Dela, ki se nanašajo na električno napetost, npr. kabli, vtikala, vticnice, itd. lahko izvajajo samo strokovni elektricarji.

3. Montažni dodatki



*Pred montažo dodatkov je treba vtice
izvleci iz vticnice.*

Montaža stroja

- Varilno napravo instalirajte v suhem in čistem prostoru (kjer ni železnega praška, prahu in barv).

- Varilno napravo namestite na trdo in ravno podlago, vsaj 20 cm od stene.
- Varilno napravo zaščitite pred dežjem in močno sončno svetlobo.

Varilna maska

Slika 2

- Sestavite zaščitno varilno masko tako, da pritrdite ročaj s priloženimi vijaki.
- Lahko steklo (zaščitno steklo) namestite pred temno varilno steklo. Vstavite stekla varilne maske v okno in jih pritrdite.
- Stekli morata biti nameščeni, tako da preprečita prodor (škodljive) svetlobe v odprtino.
- Ko med varjenjem pogled na obdelovanca postane nezadosten, zamenjajte lahko zaščitno steklo. Menjava temnega varilnega stekla predstavlja občutno večji strošek kot menjava lahkega zaščitnega stekla.

Namestitev novih elektrod

Elektroda je sestavljena iz kovinskega jedra, ki ga obdaja prevleka. Na enem koncu elektrode je jedro prekrito s prevleko.

- Pritisnite ročaj držala za elektrodo ob vzmet.
- Konec elektrode, ki nima prevleke (+/- 2 cm), namestite v držalo. Del, ki nima prevleke, mora vzpostaviti dober stik s kovinskim delom držala (elektroda se ne sme potisniti predalec v držalo).
- Sprostite ročaj. Elektroda je pritrjena.



Pomni! Elektroda ne sme zgoreti na manj kot +/- 5 cm zaradi pregrevanja in/ali spremembe oblike držala. Zgorela elektroda se težko odstrani.

Odstranjevanje izrabljenih elektrod

Pritisnite ročaj držala ob vzmet, tako da zgorela elektroda pade iz držala.



Pomni! Elektrode ne odstranite iz držala z roko. Elektroda je zelo vroča!



Pomni! Bodite pozorni na to, kam pade odpadna elektroda in preprecite nevarnost požara in poškodb.



Opozorilo: Pred uporabo in servisiranjem te naprave preberite navodila za uporabo.

Instalacija

Slika 4

Začetni položaj stikala (2) je nastavljen v položaju "OFF" (IZKLOP).

Naprava je opremljena z dvema vtičema, zato ima možnost priklopa na 230 V ali 400 V električno omrežje.

- Če želite uporabiti vtič VDE, mora biti stikalo v položaju 230 V. Za priklop varilne naprave na 230 V električno omrežje, najprej priklopite vtič na 230 V omrežno napetost in nato spremenite položaj stikala (2); iz položaja "OFF" v položaj 230 V.
- Če uporabite 5-polni industrijski vtič, lahko napravo priklopite na 400 V električno omrežje. Najprej priklopite industrijski vtič na 400 V omrežno napetost in nato spremenite položaj stikala (2); iz položaja "OFF" v položaj 400 V.

Upoštevajte naslednja navodila, da se izognete nevarnosti požara, električnega udara in telesnih poškodb.

- 1 Pred vklopom varilne naprave se prepričajte, da se nastavitev nominalne napetosti ujema s priključno napetostjo.
- 2 Pred spreminjanjem/nastavljanjem nominalne napetosti, vedno odklopite napravo iz omrežnega napajanja.
- 3 Prepovedano je spreminjanje napetosti med delovanjem varilne naprave.

4. Obratovanje

Pred uporabo:

- a. Splošne informacije o delovanju obločnega varjenja
- b. Elektroda
- c. Zaščitno oblacilo
- d. Zaščita za obraz
- e. Delovno okolje

a. Splošne informacije o delovanju obločnega varjenja

Temperatura obloka se dvigne do približno 7000 °C, tako da se končni del elektrode in obdelovanec stalita. Dokler se ohranja oblok, elektroda tali in dobavlja potrebni varilni material na dele, ki se spajajo. Razdalja med elektrodo in obdelovancem mora biti cim krajša (približno 1,5 - 4 mm), odvisno od premera in vrste elektrode. Zahtevani tok za varjenje dobavlja varilna naprava. Napetost, ki jo zahteva varilna naprava, je odvisna od vrste dela.

Elektroda mora biti popolnoma suha, saj lahko mokra povzroci težave. Če se elektroda med varjenjem prilepi na obdelovanca, je nastavljena jakost toka prenizka.

b. Elektroda

- Elektroda je sestavljena iz kovinskega jedra, ki ga obdaja prevleka. Prevleka pomembno ščiti talino in prenaša kapljice ob kisiku in dušiku v okoliškem zraku. Elektroda se med varjenjem topi. Del prevleke izpari, tako da nastane zaščitni plinski ščit. Del prevleke plava na talini (je lažji od jekla) in tudi ščiti hladilni var. Po hlajenju prevleka postane trdna žilindra na zvarnem spoju, ki se enostavno odstrani.
- Z elektrodami delajte skrbno, tako da se prevleka ne zlomi. Elektrode morajo biti popolnoma suhe, torej jih skladiščite v suhem prostoru.
- Za dober in mocen zvarni spoj je pomembna uporaba pravilne elektrode. Univerzalna elektroda je v veliko primerih primerna za posamezna dela. Na embalaži elektrode je označeno, v katerih položajih se lahko izvaja varjenje (nad glavo, proti tlom itn.; pri tem se upošteva hitrost taljenja elektrode). Posamezne elektrode so v prosti prodaji za varjenje vrst nerjavečega jekla in litega železa. O nakupu primerne elektrode se posvetujte s prodajalcem.

c. Zaščitno oblacilo

Oblecite enodelno oblacilo in s tem zmanjšate nevarnost opeklin zaradi ultravijoličnega sevanja ali pršenja kovine.

Priporočamo enodelno delovno obleko (pajaca) iz bombaža, varilne rokavice in zaščitno obuvalo. Škropljenje ne sme koncati v rokavicah ali cevjih. Predpasnik za varjenje (usnje) prepričajte, da bi gorenje in iskre poškodovali oblacilo.

d. Zaščita za obraz

Slika 2

Uporabljajte dobro masko za varjenje z varilnim (temnim) steklom in zaščitnim steklom. Obe stekli morata biti pravilno nastavljeni (dobro pritrjeni in nepropustni za sončno svetlobo). Maska ščiti varilca pred sevanjem, vročino in varilnim škropljenjem, ki nastaja med postopkom varjenja. S tem se tudi ublaži vdihavanje varilnih hlapov.

Nevidni ultravijolični žarki povzročajo tako imenovan »varilni blisk«. Tonastane po dveh sekundah gledanja v električni oblok.

Preprecite ucinke sevanja in visokih temperatur na obraz in druge izpostavljene dele telesa, kot so vrat in roke.

Zavarujte se pred nevarnimi ucinki svetlobnega loka in osebe, ki ne delajo, naj se nahajajo v razdalji 15 m od svetlobnega loka.

Prav tako morajo biti osebe ali pomocniki, ki se nahajajo v bližini svetlobnega loka, obveščeni o nevarnostih in opremljeni s potrebnimi zaščitnimi pripomočki. Če je potrebno, se zgradijo zaščitne stene.

e. Delovno okolje

- Zagotovite dobro zraccenje delovnega okolja. Pri varjenju se sproščajo plini, ki so nevarni za zdravje.
- Odstranite vse vnetljive predmete. Pri varjenju se iskri in nastajajo vroce kovine.
- Voda za hlajenje mora biti pripravljena v bližini delovnega mesta. Ne zapustite ravno zvarjenih (vrocih) obdelovancev nenadzorovano v delovnem prostoru. Obdelovanca ohladite in šele nato zapustite delovno mesto. Zaščita pred sevanjem in opeklinami.
- Na delovnem mestu morajo biti nameščene table, na katerih je očitno prikazana nevarnost poškodbe oči "Pozor! Ne glejte v plamene!" Delovno mesto je nujno potrebno (če je le mogoče) osenciti tako, da se zaščitijo osebe, ki se nahajajo v bližini. Nepoklicane osebe se ne smejo nahajati v bližini varilnih del.
- V neposredni bližini stabilnih delovnih mest naj stene ne bodo svetle barve in bleščece. Okna se morajo zavarovati vsaj do višine glave in to proti prepuščanju in povratnemu zrcaljenju sevanja, npr. s primernim premazom.

Uporaba

Slika 3

Nasvet: Pred zacetkom varjenja težkih obdelovancev najprej preizkusite varjenje na poskusnem kosu.

- Obdelovanec mora biti čist: odstranite rjo, ostanke masti in barv.
- Z gumbom na sprednji strani varilne naprave nastavite zeleno jakost toka. Jakost toka je odvisna od obdelovanca in vrste elektrode.
- Namestite del elektrode brez prevleke v držalo in povežite priključno sponko za ozemljitev na obdelovanca.
- Z glavnim stikalom vključite varilno napravo.

- Držite masko pred obrazom in premaknite konico elektrode preko obdelovanca tako, kot bi želeli prižgati vžigalico. To je najboljši način za zacetek varilnega obloka. Obdelovanca ne udrihajte z elektrodo. Na ta način se poškoduje elektroda in prepriči oblikovanje varilnega obloka.
- Ko nastane varilni oblok, poskusite ohraniti enako razdaljo med konico elektrode in obdelovancem. Ohranite to razdaljo enako glede na premer elektrode. Torzadajlo poskusite med varjenjem ohraniti po najboljših moceh.
- Elektrodo premikajte s postopno vleko preko obdelovanca.
- Ohranite kot med elektrodo in obdelovancem med 60° in 70° v smeri premikanja.
- Ko nastane zvarni spoj, prekinite varilni oblok tako, da odstranite elektrodo z obdelovanca.
- Varilno napravo izključite.



Pomni! Če pustite varilno napravo vključeno, lahko elektroda pride v stik (skozi delovni pult) z ozemljitvenim kablom in se varjenje spontano zažene.

- Skladivom za čiščjenje kotlovca odstranite žilindro z zvarnega spoja.



Bodite pozorni na letece kovinske dele. Vedno uporabljajte zaščitna očala.

- Nikoli ne varite preko ostankov žilindre: žilindra ustvarja izolacijsko in onesnaženo plast in tako slabi var (tako imenovana žilindrin vkljucek).
- Skovinsko krtaco ocistite var.



Pomni! Obdelovanec je še vedno zelo vroc. Vrocega obdelovanca ne pustite nenadzorovano.

Svetlobni kazalnik temperature Slika 1

Ko postane temperatura varilne naprave previsoka, se vgrajeni termostat izključi (svetlobni kazalnik se vklopi). Vgrajeni ventilator ohladi stroj. Po ohladitvi svetlobni kazalnik ponovno ugasne.

Pustite stroj, da se ohladi; z intenzivnim varjenjem se lahko po nekaj minutah toplotni izklop ponovno sproži.

5. Servis & vzdrževanje



Preden se lotite vzdrževalnih del na mehanskih delih, se prepričajte, da ste orodje izklopili iz električnega omrežja.

Stroji so narejeni tako, da delujejo dolgo in potrebujejo le malo vzdrževanja. Konstantno dobro delovanje je pogojeno s pravilno nego stroja in rednim čiščenjem.

Napake

Možni vzroki in rešitve v primeru nepravilnega delovanja stroja:

Varilna naprava ne deluje.

- Priključna sponka za ozemljitev ni v dobrem stiku z obdelovancem.
- Elektroda ni pravilno nameščena v držalo.
- Termalno stikalo je izklopljeno ali termalna varovalka je pregorela.
- Defektna varovalka (merilna škatla).
- Kabel je poškodovan.
- Stikalo je v okvari/poklicite zastopnika.

Elektroda se stalno »lepi« na obdelovanca.

- Uporabite pravilno vrsto elektrode (univerzalno).
- Jakost toka je prenizka/gumb 3 zavrtite v smeri urnega kazalca.

Elektroda je oranžno rdeca.

- Jakost toka je previsoka za to vrsto elektrode/gumb 3 zavrtite v nasprotni smeri urnega kazalca.

Elektroda med varjenjem prekomerno prši in ustvarja veliko hrupa.

- Jakost toka je previsoka/gumb 3 zavrtite v nasprotni smeri urnega kazalca.

Vzrok/rešitev

Stroj je prevroč; svetlobni kazalnik sveti.

Vzrok/rešitev

- Ventilacijske reže so blokirane/ocistite reže s suho krpo; počakajte nekaj minut, da ponovno zasveti svetlobni kazalnik.



Popravila opravi usposobljeni tehnik oz. pooblaščen servis.

Vzdrževanje

- Na ventilacijskih režah ne sme biti prahu in umazanije. Z mehko krpo, ki ste jo namočili v

milnico, s stroja ocistite trdovratno umazanijo. Ne uporabljajte topil, kot so petrolej, alkohol, salmiak tn.

- Držalo za elektrode in priključna sponka za ozemljitev ne smeta korodirati, tako da lahko še naprej ustvarjata dober električni stik.
- Redno pregledujte, ali so kabli varjenja in obdelovanca varno povezani.

Mazanje

Naprava ne potrebuje dodatnega mazanja.

Okvare

Vprimeru okvare, t.j. obrabe posameznega dela, poklicite servisno službo. Naslov je označen na garancijskem listu. Na zadnji strani tega priročnika je povečan prikaz posameznih delov, ki jih lahko naročite.

Okolje

Orodje transportiramo v krepki embalaži da ga zavarujemo pred poškodbami. Vecino embalaže je mogoče reciklirati zato jo odnesi na zbirališče takšnih odpadkov oz. v za to namenjen kontejner, da bo reciklirana.



Vadný a nebo vyhozený elektrický či elektronický přístroj musí být dodán na příslušné recyklační místo.

Samo za države ES

Električnih orodij ne vrzite stran v domače za smeti. Po Evropski smernici 2012/19/EU za WEEE (Odpadna električna in elektronska oprema) in njeno širitev v narodno pravo, je potrebno električna orodja, ki niso več uporabna, zbrati posebej in se jih znebiti na okolju prijazen način.

Garancija

Garancijski pogoji so opisani na priloženem garancijskem listu.

SPAWARKA ŁUKOWA 55 - 160A

Liczby w tekście odnoszą się do schematów na stronach 2. + 109.



Zuwagi na bezpieczeństwo własne oraz innych osób przed użyciem pilarki należy dokładnie zapoznać się z instrukcją obsługi. Instrukcja obsługi oraz dokumentacja powinny być przechowywane wraz z urządzeniem.

Wstęp

Spawanie stanowi proces polegający na roztopieniu obrabianego materiału pod wpływem gorąca. Przy spawaniu łukiem elektrycznym wykorzystywane są materiały spawalnicze (elektrody). Po zastygnięciu materiału powstaje spaw. Wymagane ciepło uzyskiwane jest poprzez wytworzenie i utrzymanie łuku elektrycznego pomiędzy elektrodą a obrabianym materiałem. Proces spawania wymaga wysokiego natężenia prądu (55-160 A) przy stosunkowo niskim napięciu (10–48 V). Zamontowany w spawarce transformator zapewnia obniżenie napięcia sieciowego (400 V).

Agregat nie jest przeznaczony do stosowania w drobnym przemyśle!

Spis treści

1. Informacje dotyczące urządzenia
2. Instrukcje bezpieczeństwa
3. Zakładanie akcesoriów
4. Obsługa
5. Serwis i konserwacja

1. Informacje dotyczące

Dane techniczne

Napięcie	230 / 400 V ~
Częstotliwość	50 Hz
Moc spawania	55 / 140 A (230 V) / 160 A (400 V)
Napięcie jałowe	48 V / 230 V
Współczynnik mocy	0.62
Średnica elektrod	2 - 4mm
Waga	22.1 kg
Wymiary	56 x 32.5 x 40 cm
Ochrona termiczna	105 °C (±5 °C)
Przewód zasilający	HO7RN-F 3x1.5 mm ² 2m
Przewód spawalniczy	HO1N2-D 1x16 mm ² 2m

Zawartość opakowania

- 1 Spawarka
- 1 Maski spawalnicza
- 1 Szczotka druciana/młotek do czyszczenia
- 12 Elektrody (2 mm)
- 1 Instrukcja obsługi
- 1 Instrukcje bezpieczeństwa
- 1 Karta gwarancyjna

Należy sprawdzić urządzenie, części luzem oraz akcesoria pod kątem uszkodzeń w czasie transportu.

Informacje dotyczące produktu

Rys. 1 & Rys. 2

1. Lampka wskaźnika temperatury
2. Wylącznik
3. Pokrętło regulacji natężenia prądu
4. Kabel spawalniczy z uchwytem do elektrod
5. Kabel uziemiający z uchwytem
6. Nakrywka gumowa
7. Uchwyt
8. Otwory wentylacyjne
9. Szczotka druciana / młotek do czyszczenia
10. Maski spawalnicza
11. Elektrody

Ø elektrody (mm)	Natężenie prądu (A)	Odpowiednie między innymi dla następujących prac:
2	50-75	Grubość materiału 2-3 mm Naprawa stojaków i wieszaków
2,5	70-100	Grubość materiału 4-5 mm Płyty i wyposażenie ogrodowe
3,2	95-150	Grubość materiału 6-7 mm Wiaty, garaże
4	130-160	Grubość materiału 8-12 mm Elementy budowlane (ciezkie)

2. Instrukcje bezpieczeństwa



Przeostoga! Przeczytać instrukcję obsługi.

Objasnienie symboli



Wrazie nie przestrzegania danej instrukcji obsługi może powstać ryzyko zranienia oraz zginienia personelu lub uszkodzenia narzędzia.



Wskazuje na niebezpieczeństwo porażenia prądem elektrycznym.



Styk (wtyczkę) odłączyć od głównego przewodu.



Obserwatorzy powinni się znajdować w oddaleniu.



Bronia w stosunku do deszczu.



Nosic okulary ochronne oraz ochraniać uszy.



Nosic rękawiczki ochronne.



Podczas spawania zawsze używać maski spawalniczej



Nosic odzież ochronna

EN60974-6 Norma dotycząca spawalniczych źródeł energii do ręcznego spawania łukowego o ograniczonym czasie obciążenia.

Klasyfikacja zgodności elektromagnetycznej zgodnie z IEC 60974-10



Uchwyt do elektrod



Koncówka uziemienia



Topienie 16A



Napięcie spadkowe



Transformator jednofazowy



Obwód zasilania, 1 lub 3 fazy ~50 Hz



Srednica elektrody



Maksymalne natężenie prądu

pierwotnego w Amperach

I_2

Natężenie prądu wtórnego w Amperach



Znamionowy maksymalny czas spawania w trybie przerywanym



Znamionowy maksymalny czas spawania w trybie ciągłym

IP21S Klasa ochrony. Uszczelka zapobiegająca przedostawaniu się przedmiotów do 12 mm oraz kapiacej z góry wody. Zatrzymanie z kontrola wody.

H

Klasa izolacji

U₀

Nominalni napon bez obciążenia

U₁

Znamionowe napięcie zasilania

U₂

Wartości napięcia przy konwencjonalnym obciążeniu

I_{1eff}

Maksymalne skuteczne natężenie zasilania

Ogólne instrukcje bezpieczeństwa dotyczące urządzeń spawalniczych

- Użytkownik urządzenia musi znać zasady jego funkcjonowania i obsługi.
- Otoczenie robocze powinno być dobrze oświetlone i uprzątnięte.
- Przed przystąpieniem do jakichkolwiek prac konserwacyjnych należy wyłączyć urządzenie z prądu.
- Przed pozostawieniem urządzenia bez nadzoru należy wyjąć wtyczkę z gniazdka.
- Nie używać urządzenia, jeśli nie zostało w pełni zmontowane i zainstalowane w sposób opisany w niniejszej instrukcji. Szczegółowe instrukcje bezpieczeństwa dotyczące urządzeń spawalniczych
- Spawanie może powodować powstawanie iskier i nagrzewanie metalu. Należy zawsze pamiętać o niebezpieczeństwie pożaru i usunąć z otoczenia roboczego wszelkiego rodzaju materiały łatwopalne.
- Otoczenie robocze powinno posiadać dobrą wentylację. Podczas spawania wydzielają się gazy niebezpieczne dla ludzkiego zdrowia.
- Nie należy spawać zbiorników lub rur, w których znajdują się lub znajdowały ciecze lub

gazy łatwopalne (niebezpieczeństwo pożaru lub eksplozji).

- Nie należy spawac materiałów, które były czyszczone cieczami łatwopalnymi oraz posiadającymi pomalowaną powierzchnie (niebezpieczeństwo wydzielania niebezpiecznych gazów).
- Nie należy pracować w otoczeniu wilgotnym lub mokrym oraz na deszczu.
- Zawsze chronić oczy za pomocą dostarczonej wraz z urządzeniem maski spawalniczej.
- Używać suchych, nie nasączonych olejem lub zabrudzonych rękawic i odzieży ochronnej.
- Powstający żużel może być gorący i spowodować poważne uszkodzenie oczu podczas prób jego usuwania. Należy zawsze nosić okulary i rękawice ochronne.
- Podczas spawania powstaje promieniowanie ultrafioletowe, które może poparzyć skórę. Wzwiązku z powyższym należy zawsze nosić odpowiednią odzież ochronną.
- Spawarka jest zabezpieczona przed przegrzaniem. W przypadku przegrzania urządzenie automatycznie wyłączy się. Urządzenie automatycznie włączy się po schłodzeniu.
- Podczas spawania i chłodzenia obrabiany materiał może ulec deformacji z powodu istniejących napreżeń. Należy zawsze o tym pamiętać.
- Można używać wyłącznie przewodów spawalniczych, które wchodzi w zakres dostawy (O/ 10 mm² przewody spawalnicze chronione gumą).
- W pomieszczeniach z zagrożeniem pożarem lub wybuchem obowiązują specjalne przepisy.
- Złącza spawane, które są poddane dużemu obciążeniu, a które powinny spełniać stosowne warunki bezpieczeństwa, może wykonywać wyłącznie specjalnie wyszkolony i doświadczony spawacz. Na przykład: kotły ciśnieniowe, szyny, urządzenia zaczepowe przyczep itd.
- Uwaga: spinacz uziemiający należy przyłączać zawsze jak najbliżej miejsca spawanego, tak żeby prąd do spawania miał jak najkrótszą drogę od elektrody do spinacza uziemiającego. Nigdy nie wolno przyłączać spinacza uziemiającego do korpusu agregatu spawalniczego! Nigdy nie wolno przyłączać spinacza uziemiającego do czeski uziemionych, które są zbyt oddalone od elementu spawanego, np. do rurociągu w odległym rogu pomieszczenia. W przeciwnym

razie może dojść do uszkodzenia systemu ochronnego w pomieszczeniu, w którym przebiega spawanie. Zabezpieczenie łaczy do gniazdka sieciowego musi odpowiadać przepisom (VDE 0100). Ochronne styki wtyczkowe muszą być zabezpieczone (bezpiecznikami lub ochronnymi łącznikami przewodów) z maks. 16A (Typy i dane techniczne: RT14-20, O/ 10 x 38, AC 400 V16A. IEC 60269. Mało aktywne. Producent: Chint). Nadmierne zabezpieczenie może spowodować spalanie przewodów, ewent. uszkodzenie pomieszczenia.

Bezpieczeństwo elektryczne



Należy natychmiast wyłączyć urządzenie w następujących przypadkach:

Uszkodzenie gniazdka sieciowego, wtyczki lub kabla zasilającego.

- *Uszkodzenie wyłącznika.*
- *Widoczny jest dym lub czuć zapach spaliny pochodzący z izolacji.*



waga! W zależności od stanu sieci zasilania w miejscu podłączenia spawarki może dojść do zakłóceń w dostawie energii elektrycznej do innych użytkowników. W razie jakichkolwiek wątpliwości co do powyższej kwestii należy zasięgnąć opinii u dostawcy energii elektrycznej.

- Należy zawsze upewnić się, że elektryczne podłączenia urządzenia zostały wykonane prawidłowo. Porażenie prądem elektrycznym stanowi niebezpieczeństwo dla ludzkiego życia.
- Należy zawsze zapewnić prawidłowe podłączenie uchwytu do elektrod oraz końcówki uziemienia.
- Nie ciągnąć za kable elektryczne, gdyż może to spowodować ich uszkodzenie. Przed przenoszeniem spawarki należy odłączyć kable.
- Należy unikać kontaktu z przewodzącymi prąd elementami spawarki, uchwytem do elektrod oraz końcówką uziemienia.
- Należy zawsze upewnić się, że napięcie zasilania odpowiada napięciu wskazanemu na tabliczce znamionowej urządzenia.
- Wymiana kabli lub wtyczek: Zużyte przewody i wtyczki powinny zostać wyrzucone natychmiast po dokonaniu wymiany. Włożenie poluzowanej wtyczki do gniazdka sieciowego jest niebezpieczne.

- We wszystkich urządzeniach spawalniczych o napięciu 230 Volt powinny być używane bezpieczniki co najmniej 16-ampierowe.
- Jeżeli używane są przedłużacze: Należy używać wyłącznie przedłużacza przeznaczonego do pracy z urządzeniami o takiej mocy. Rdzeń (żyła) przewodu musi posiadać średnicę co najmniej 1,5 mm². Jeżeli używany jest przedłużacz bebnowy, kabel powinien zostać w pełni rozwinięty.
- Prace związane z napięciem sieciowym, np. na przewodach, wtyczkach, gniazdkach itd. może wykonywać wyłącznie wykwalifikowany elektryk.
- Docisnąć uchwyt do elektrod w kierunku sprężyny.
- Umieścić elektrodę z odsłoniętą końcówką (+/- 2 cm) w uchwycie do elektrod. Upewnić się, że odsłonięta końcówka elektrody pozostaje w kontakcie z metalowym elementem uchwytu do elektrod (elektroda nie powinna być wsunięta do uchwytu zbyt daleko).
- Zwolnić uchwyt. Elektroda jest założona.



UWAGA! Nie wolno dopuścić, aby elektroda ulegała spaleni w odległości mniejszej niż +/- 5 cm od uchwytu ze względu na niebezpieczeństwo jego rozgrzania i deformacji. Spalona elektroda może wówczas być trudna do usunięcia.

3. Zakładanie akcesoriów



Przed przystąpieniem do zakładania akcesoriów upewnić się, że wtyczka została wyjęta z gniazdka.

Instalacja urządzenia

- Urządzenie powinno być instalowane w miejscu suchym i czystym (wolnym od opiłków żelaza, brudu i farby).
- Urządzenie powinno zostać ustawione na stabilnej, płaskiej powierzchni, w odległości co najmniej 20 cm od ściany.
- Urządzenie powinno być zabezpieczone przed działaniem deszczu oraz silnego światła słonecznego.

Maska spawalnicza

Rys. 2

- Zmontować maskę spawalniczą, przymocowując uchwyt dostarczonymi śrubami.
- Umieścić jasne szkło (ochronne) przed szkłem ciemnym. Umieścić szkła w okienku i zablokować je.
- Upewnić się, że szkła ochronne znajdują się w położeniu zapewniającym brak dostępu światła przez otwór.
- Jasne szkło zabezpieczające powinno zostać wymienione, kiedy widok obrabianego materiału podczas pracy nie jest wystarczający. Wymiana ciemnego szkła ochronnego jest o wiele bardziej kosztowna niż jasnego szkła ochronnego.

Zakładanie nowych elektrod

Elektroda składa się z żyły metalowej pokrytej odpowiednią powłoką. Na zakończeniu elektrody żyła nie jest pokryta powłoką.

Wymywanie zużytych elektrod

Docisnąć uchwyt do elektrod w kierunku sprężyny, tak aby zużyta elektroda mogła wypaść z uchwytu.



UWAGA! Nie należy wymawać elektrody z uchwytu ręką. Elektroda jest bardzo gorąca!



UWAGA! Pilnować, gdzie spada elektroda usuwana z uchwytu, aby uniknąć niebezpieczeństwa pożaru lub poparzenia.



Ostrzeżenie: przeczytać instrukcje obsługi przed rozpoczęciem obsługi i serwisowania tego urządzenia.

Instalacja

Rys. 4

Wyjściowe położenie przełącznika (2) to "WYŁ.". Maszyna jest wyposażona w dwie wtyczki i można jej używać z napięciem 230 V lub 400 V.

- W przypadku wtyczki VDE, maszyny można używać tylko w położeniu 230 V. Aby korzystać z urządzenia z napięciem 230 V, podłączyć wtyczkę VDE do gniazda zasilania 230 V, a następnie przestawić przełącznik (2) z położenia "WYŁ." na położenie 230 V.
- W przypadku 5-bolcowej wtyczki przemysłowej, maszyny można używać z napięciem 400 V. Podłączyć wtyczkę przemysłową do gniazda zasilania 400 V, a następnie przestawić przełącznik (2) z położenia "WYŁ." na 400 V.

Zwrócić uwagę na poniższe, aby uniknąć ryzyka pożaru, porażenia prądem lub obrażenia ciała:

- 1 Przed użyciem spawarki dopilnować, aby napięcie znamionowe ustawione na urządzeniu

- było dopasowane do napięcia źródła zasilania.
- 2 Odłączyć urządzenie od zasilania przed przestawieniem napięcia znamionowego.
 - 3 Regulacja napięcia znamionowego podczas pracy spawarki jest zabroniona.

4. Obsługa

Przed przystąpieniem do pracy:

- a. Informacje ogólne dotyczące spawania łukiem elektrycznym
- b. Elektroda
- c. Odzież ochronna
- d. Ochrona twarzy
- e. Otoczenie robocze

a. Informacje ogólne dotyczące spawania łukiem elektrycznym

Temperatura łuku elektrycznego wynosi ok. 7000°C, dzięki czemu końcówka elektrody oraz spawany element topią się. Tak długo jak tylko łuk elektryczny jest utrzymywany, elektroda topi się i dostarcza niezbędnego materiału spawalniczego, umożliwiającego połączenie elementów. Odległość pomiędzy elektrodą a spawanym elementem musi być jak najmniejsza (ok. 1,5 - 4 mm), w zależności od średnicy i typu elektrody. Prąd niezbędny do spawania dostarczany jest przez spawarkę. Moc pobierana przez spawarkę zależy od rodzaju wykonywanej pracy. Należy upewnić się, że elektrody są całkowicie suche, ponieważ ich zawilgocenie może spowodować problemy. Jeżeli elektroda przywiera do spawanego elementu podczas spawania, oznacza to, że natężenie prądu jest zbyt niskie.

b. Elektroda

- Elektroda składa się z żyły metalowej pokrytej odpowiednią powłoką. Powłoka ma na celu zabezpieczenie jeziorka spawalniczego i kropelek przed działaniem tlenu i azotu, znajdujących się w otaczającym powietrzu. Podczas spawania elektroda topi się. Część powłoki odparowuje, co powoduje powstanie ochronnej warstewki gazu. Część powłoki unosi się na powierzchni jeziorka spawalniczego (jest ona lżejsza od stali), chroniąc spoinę ulegającą schłodzeniu. Po schłodzeniu powłoka zamienia się w łatwą do usunięcia warstwę stałą na powierzchni spoiny.
- Z elektrodami należy obchodzić się ostrożnie, aby nie spowodować uszkodzenia powłoki. Elektrody powinny pozostawać suche, należy więc przechowywać je w miejscu

zabezpieczonym przed wilgocią.

- W celu uzyskania wysokiej jakości, silnej spoiny bardzo ważne jest zastosowanie odpowiedniej elektrody. W większości przypadków do wykonywanej pracy wystarczy elektroda uniwersalna. Na opakowaniu elektrod znajdują się informacje dotyczące pozycji, w jakich można wykonywać spawanie przy użyciu danej elektrody (nad głową, w dół itd.), w zależności od prędkości jej topienia. W handlu dostępne są specjalne rodzaje elektrod przeznaczone do spawania różnych rodzajów stali nierdzewnej i zeliwa. Przy zakupie elektrody można zawsze zasięgnąć opinii sprzedawcy.

c. Odzież ochronna

Należy nosić odpowiednią odzież ochronną, zabezpieczającą przed poparzeniem skóry spowodowanym promieniowaniem ultrafioletowym lub gorącymi rozpryskami metalu. Zalecane jest noszenie bawełnianego kombinezonu, rękawic spawalniczych i obuwia ochronnego. Należy upewnić się, że rozpryski nie mogą przedostać się do rękawic lub butów. Skórzany fartuch spawalniczy zapobiega poparzeniom oraz uszkodzeniu kombinezonu przez iskry.

d. Ochrona twarzy

Rys. 2

Należy używać odpowiedniej maski spawalniczej z ciemnym i jasnym szkłem ochronnym. Upewnić się, że oba szkła ochronne zostały właściwie założone (dobrze zamocowane i nie przepuszczające światła).

Maska spawalnicza zabezpiecza spawacza przed promieniowaniem, gorącym i rozpryskami powstającymi podczas spawania. Umożliwia także ograniczenie wdychania oparów. Niewidoczne promieniowanie ultrafioletowe może spowodować tzw. "ślepotę spawacza". Pojawia się ona już po kilku sekundach patrzenia gołym okiem na łuk elektryczny. Należy zawsze pamiętać o odpowiednim zabezpieczeniu twarzy i innych odsłoniętych części ciała, takich jak kark i ramiona, przed działaniem promieniowania i wysokiej temperatury. Chronić przed niebezpiecznymi efektami łuku elektrycznego i utrzymywać w bezpiecznej odległości co najmniej 15 m od łuku elektrycznego osoby, które nie biorą udziału w pracy. Również osoby lub pomocnicy znajdujący się w

poblizu łuku elektrycznego powinni być zaznajomieni z zagrożeniem i wyposażeni w potrzebne pomoce ochronne. W razie potrzeby ustawić ściany ochronne.

e. Otoczenie robocze

- Otoczenie robocze powinno posiadać dobrą wentylację. Podczas spawania wydzielają się gazy niebezpieczne dla ludzkiego zdrowia.
- Z otoczenia roboczego należy usunąć wszelkie przedmioty łatwopalne. Spawanie może powodować powstawanie iskier i nagrzewanie metalu.
- Upewnij się, że w pobliżu miejsca pracy znajduje się dostęp do zimnej wody. Nie pozostawiać dopiero co spawanych (gorących) elementów bez nadzoru. Przed opuszczeniem miejsca pracy należy schłodzić spawane elementy.

Ochrona przed promieniowaniem i poparzeniem.

- Na stanowisku pracy muszą być umieszczone tablice zwracające uwagę na niebezpieczeństwo uszkodzenia wzroku "Uwaga! Nie patrzec na płomień!" Stanowisko pracy należy w miarę możliwości osłonić tak, aby chronić osoby, które znajdują się w pobliżu. Niepowołane osoby powinny oddalić się od prac spawalniczych.
- W bezpośredniej bliskości stanowisk spawalniczych ściany powinny być jasnokolorowe z połyskiem. Okna powinny być zabezpieczone przeciw przepuszczaniu lub odzwierciedlaniu promieniowania, na przykład odpowiednim lakierem na wysokość głowy.

Rozpoczęcie pracy

Rys. 3

Porada: Przed rozpoczęciem spawania o trudnym charakterze należy wykonać spawanie próbne na niewielkim kawałku materiału.

- Zapewnić czystość w miejscu pracy: usunąć pozostałości rdzy, smarów lub farb.
- Ustawić wymagane natężenie prądu za pomocą pokrętki regulacyjnego urządzenia. Właściwe ustawienie natężenia prądu zależy od spawanego przedmiotu oraz rodzaju wykorzystywanej elektrody.
- Umieścić część elektrody bez powłoki w uchwycie do elektrod i podłączyć do spawanego elementu końcówkę uziemienia.
- Włączyć spawarkę za pomocą wyłącznika

głównego.

- Trzymając maskę spawalniczą przed twarzą, poprowadzić końcówkę elektrody wzdłuż spawanego elementu, tak jak przy zapalaniu zapalki. Jest to najlepszy sposób wytworzenia łuku elektrycznego. Nie uderzać elektrodą o spawany element. Spowoduje to uszkodzenie elektrody i nie pozwoli na wytworzenie łuku elektrycznego.
- Po wytworzeniu łuku elektrycznego należy natychmiast odsunąć końcówkę elektrody na odpowiednią, stałą odległość od spawanego elementu. Odległość ta powinna być równa średnicy elektrody. Podczas całego spawania należy starać się zachować tę odległość.
- Stopniowo przesuwając elektrodę nad spawanym elementem.
- Kąt pomiędzy elektrodą a spawanym elementem powinien stale wynosić 60° do 70° w stosunku do kierunku ruchu.
- Kiedy spoina została wykonana, złamać łuk elektryczny, oddalając elektrodę od spawanego elementu.
- Wyłączyć spawarkę.



UWAGA: Pozostawienie urządzenia włączonego może spowodować, że elektroda wejdzie w kontakt (poprzez stół roboczy) z kablem uziemiającym i nieoczekiwanie rozpocznie spawanie.

- Usunąć zuzel ze spoiny posługując się młotkiem dostarczonym wraz z urządzeniem. Uważać na odpadające, gorące kawałki metalu. Należy zawsze nosić okulary ochronne.
- Nie należy nigdy spawać nad zuzlem: stanowisko on warstwie izolacyjnej i zanieczyszczającej, co powoduje osłabienie spoiny (tzw. wtrącenie zuzłowe).
- Oczyszczyć spoinę za pomocą szczotki drucianej.



UWAGA: Spawany przedmiot jest wciąż bardzo gorący. Nie należy pozostawiać go bez nadzoru.

Lampka wskaźnika temperatury

Rys. 1

Jeżeli temperatura spawarki będzie zbyt wysoka, wbudowany termostat spowoduje wyłączenie urządzenia (lampka zapali się). Wbudowany wentylator schłodzi urządzenie. Po schłodzeniu lampka ponownie zgasnie. Należy zacząć od odpowiedniego schłodzenia urządzenia; przy intensywnym spawaniu możliwe

jest, że automatyczne wyłączenie nastąpi po kolejnych kilku minutach.

5. Serwis i konserwacja



Przed przystąpieniem do konserwacji silnika, sprawdź czy wtyczka jest odłączona od sieci.

Urządzenia zaprojektowano tak, aby działały bezproblemowo przez długi czas i wymagały konserwacji jedynie w niewielkim zakresie. Stałe poprawne działanie urządzenia zależy od jego właściwej konserwacji i regularnego czyszczenia.

Nieprawidłowości

Jeżeli urządzenie nie działa prawidłowo, należy sprawdzić, czy nie zaistniała jedna z poniższych sytuacji, których rozwiązania zamieszczono poniżej:

Naprawy i prace serwisowe powinny być wykonywane jedynie przez osoby posiadające odpowiednie kwalifikacje lub firmy serwisowe.

Spawarka nie działa

- Koncówka uziemienia nie posiada odpowiedniego kontaktu ze spawanym elementem
- Elektroda nie jest odpowiednio założona wuchwycie
- Przełącznik termiczny wyłączony lub ochrona termiczna uszkodzona.
- Uszkodzenie bezpiecznika (w obudowie miernika)
- Kabel jest przerwany
- Wyłącznik jest uszkodzony: należy skontaktować się z autoryzowanym serwisem

Elektroda „przykleja się” do spawanego elementu

- Należy użyć odpowiedniego rodzaju elektrody (uniwersalnej)
- Nateżenie prądu zbyt niskie: przekreść pokrętkę 3 w kierunku zgodnym z ruchem wskazówek zegara

Elektroda przybrała kolor pomarańczowo-czerwony

- Nateżenie prądu jest zbyt wysokie dla tego rodzaju elektrody: przekreść pokrętkę 3 w kierunku przeciwnym do ruchu wskazówek zegara

Elektroda rozpryskuje się gwałtownie i powoduje duży hałas podczas spawania

- Nateżenie prądu zbyt wysokie: przekreść pokrętkę 3 w kierunku przeciwnym do ruchu wskazówek zegara

Urządzenie jest przegrzane; świeci się lampka wskaźnika

- Otwory wentylacyjne zatkane: należy wyczyścić je suchą szmatką, a następnie poczekać kilka minut, aż lampka zgasnie



Naprawy i prace serwisowe powinny być wykonywane jedynie przez osoby posiadające odpowiednie kwalifikacje lub firmy serwisowe.

Konserwacja

- Upewnij się, że otwory wentylacyjne są wolne od pyłu i brudu. Do usuwania zabrudzeń można użyć miękkiej szmatki nawilżonej wodą z mydłem. Nigdy nie należy używać rozpuszczalników, takich jak nafta, alkohol, woda amoniakalna itp.
- Upewnij się, że uchwyty do elektrod i końcówka uziemienia nie są skorodowane, aby kontakt elektryczny był właściwy.
- W regularnych odstępach czasu sprawdzaj, czy kable są odpowiednio podłączone.

Smarowanie

Urządzenie nie wymaga dodatkowego smarowania.

Awarie

W przypadku wystąpienia awarii (n.p. zużycie części) należy skontaktować się z punktem serwisowym – adresy punktów serwisowych znajdują się na karcie gwarancyjnej. Na końcu niniejszej instrukcji zamieszczony został schemat części zamiennych, które mogą być zamawiane.

Ochrona środowiska

Aby zapobiec uszkodzeniom w czasie transportu, urządzenie dostarczane jest w sztywnym opakowaniu składającym się głównie z materiałów nadających się do ponownego przetworzenia. Prosimy o skorzystanie z możliwości ponownego przetworzenia opakowania.



Uszkodzone oraz /lub wybrakowane urządzenie elektryczne lub elektroniczne musi być utylizowane w odpowiedni sposób.

Tylko dla krajów Komisji Europejskiej

Nie wolno wyrzucać elektronarzędzi do domowych śmietników. Zgodnie z Dyrektywą Europejską nr 2012/19/EU dotyczącą Utylizacji Wyposażenia Elektrycznego i Elektronicznego i jej wdrożeniem w krajowe prawo, nieużywane elektronarzędzia należy gromadzić oddzielnie i utylizować w sposób przyjazny dla środowiska.

Gwarancja

Proszę zapoznać się z warunkami umowy gwarancyjnej zamieszczonymi na załączonej karcie gwarancyjnej.

LANKINIS SUVIRINIMO APARATAS 55 - 160A

Šiame tekste esantys skaičiai atitinka 2 + 109 psl. esančius paveikslėlius



Prieš naudodami šį prietaisą, atidžiai perskaitykite naudojimo instrukciją. Susipažinkite su jo funkcijomis ir baziniu veikimu. Atlikite prietaiso techninės priežiūros darbus, vadovaudamiesi šia instrukcija, kad jis visada tinkamai veiktų. Naudojimo instrukcija ir su ja pateikiami dokumentai privalo būti laikomi šalia šio prietaiso.

Įvadas

Suvirinimo metu ruošinio medžiaga nuo karščio lydosi. Suvirinimui naudojama elektros lanką sukuria suvirinimo medžiaga (elektrodoi). Suvirinimo siūlė susidaro medžiagai sukietėjus. Reikiamą šilumą palaiko elektros lankas, susidarantis tarp elektrodo ir ruošinio. Suvirinimo procesui reikia stiprios elektros srovės (55–160 A) ir santykinai žemos įtampos (10–48 V). Elektros tinklo įtampą (400 V) sumažina suvirinimo aparato transformatorius. Šis prietaisas nėra skirtas komerciniam naudojimui!

Turinys

1. Informacija apie įrenginį
2. Saugos taisyklės
3. Priedų montavimas
4. Naudojimas
5. Techninis aptarnavimas ir priežiūra

1. Informacija apie įrenginį

Techniniai duomenys

Įtampa	230 / 400 V ~
Dažnis	50 Hz
Suvirinimo reguliavimas	55 / 140 A (230 V) / 160 A (400 V)
Įtampa prietaisui veikiant be apkrovos	48 V / 230 V
Galios veiksnys	0.62
Elektrodų skersmuo	2 - 4 mm
Svoris	22.1 kg
Matmenys	56 x 32,5 x 40 cm
Šiluminė apsauga	105 °C (±5 °C)
Maitinimo laidas	H07RN-F 3×1.5mm ² 2m
Suvirinimo kabelis	H01N2-D 1×16mm ² 2m

Pakuotės turinys

- 1 suvirinimo aparatas
- 1 suvirintojo skydelis
- 1 vielinis šepetys / nukalimo plaktukas
- 1 naudojimo instrukcija
- 1 saugos instrukcija
- 1 garantijos kortelė

Patikrinkite, ar gabenimo metu neatsilaisvino ir ar nebuvo pažeistos įrankio dalys ir priedai.

Gaminio informacija

1 ir 2 pav.

1. Temperatūros kontrolinė lemputė
2. Įjungimo / išjungimo jungiklis
3. Ratukas elektros srovės stiprumui nustatyti
4. Suvirinimo kabelis su elektrodo laikikliu
5. Įžeminimo kabelis su montavimo įranga
6. Guminis dangtelis
7. Rankena
8. Ventilacijos angos
9. Vielinis šepetys / nukalimo plaktukas
10. Suvirintojo skydelis
11. Elektrodai

Lentelė: nustatymas ir naudojimas

Ø Elektrodo skersmuo (mm)	Elektros srovės stiprumas (A)	Tinka,
2	50-75	Medžiagos storis 2–3 mm Sieninių stovų remontui
2.5	70-100	Medžiagos storis 4–5 mm Sodų tvoroms, sodo žaidimo aikštelių įrangai
3.2	95-150	Medžiagos storis 6–7 mm Stoginėms, garažams
4	130-160	Medžiagos storis 8–12 mm Statybai (statiniams)

įskaitant:



Techninės priežiūros metu ir tuo atveju, jei būtų pažeistas elektros laidas, nedelsdami ištraukite elektros kištuką iš maitinimo lizdo.



Neleiskite artyn pašalinių asmenų.



Saugokite nuo lietaus



Dėvėkite ausų ir akių apsaugas



Mūvėti apsaugines pirštines.



Suvirindami visada dėvėkite suvirintojo skydelį.



Vilkėkite apsauginius drabužius

Standartas ribotos galios
EN60974-6 suvirinimo prietaisams rankiniam lankiniam metalo suvirinimui.

EMC klasifikacija pagal standartą IEC 60974-10



Elektrodo laikiklis



Įžeminimo gnybtas



Įtampos mažinimas



Vienfazis transformatorius



Tiekimo grandinė, 1 arba 3 fazių ~50 Hz



Elektrodo skersmuo



Saugiklis, 16 A



Maksimalus I₁ maksimalus pradinis elektros srovės stiprumas amperais

2. Saugos taisyklės



Dėmesio! Perskaitykite naudojimo instrukciją.

Simbolių paaiškinimas



Reiškia susižeidimo pavojų, pavojų gyvybei arba žalos įrankiui pavojų, jei nebus laikomasi šiame vadove paveiktų nurodymų.



Rodo elektros smūgio pavojų.

I² *Antrinis elektros srovės stiprumas amperais*

●●● *Nominalusis maksimalus suvirinimo laikas naudojant protarpinį režimą*

— *Nominalusis maksimalus suvirinimo laikas naudojant nepertraukiamą režimą*

IP21S *Apsaugos klasė Izoliuotas nuo objektų iki 12 mm ir nuo statmenai krentančių vandens lašų. Išjungimas naudojant vandens valdiklį.*

H *Izoliacijos klasė*

U⁰ *Nominalioji įtampa įrenginiui veikiant be apkrovos*

U¹ *Nominalioji tiekimo įtampa*

U² *Įprastos apkrovos įtamos vertės*

I^{1eff} *Maksimaliai efektyvi tiekiamą elektros srovė*

Bendrosios suvirinimo aparatų naudojimo saugos taisyklės

- Įrenginio naudotojas privalo būti išmokytas, kaip naudoti ir valdyti įrenginį.
- Darbo vieta privalo būti gerai apšviesta ir tvarkinga.
- Prieš atlikdami bet kokius įrenginio remonto arba tikrinimo darbus, visada atjunkite jį nuo elektros tinklo lizdo.
- Ištraukite kištuką iš elektros tinklo lizdo, kai įrenginio nenaudojate.
- Nenaudokite įrenginio, kol visiškai jo nesurinksite ir nesumontuosite, kaip aprašyta šioje instrukcijoje.

Specialios suvirinimo aparato naudojimo saugos taisyklės

- Suvirinant kyla kibirkštys ir įkaista metalas. Nepamirškite, kad tai kelia gaisro pavojų, todėl pašalinkite visus degius daiktus iš darbo vietos.
- Užtikrinkite gerą darbo vietos ventilaciją. Suvirinant išsiskiria dujos, kurios kelia pavojų jūsų sveikatai.
- Nesuvirinkite konteinerių ar vamzdžių, kuriuose buvo laikomi degūs skysčiai arba dujos (gaisro arba sprogo pavojus).

- Nesuvirinkite gaminių, kurių paviršiai buvo valyti labai degiais skysčiais arba nudažyti (pavojingų dujų išsiskyrimo tikimybė).
- Nedirbkite drėgnoje arba šlapioje aplinkoje, nedirbkite suvirinimo darbų lietuje.
- Visada apsaugokite savo akis pateiktuju suvirintojo skydeliu.
- Mūvėkite pirštines ir dėvėkite apsauginius drabužius, kurie turi būti sausi, nealyvuoti ir švarūs.
- Kartais nukalamas šlakas dar būna įkaitęs iki baltumo ir jį šalinant galimi sunkūs akių sužalojimai. Visada dėvėkite apsauginius darbo akinius ir pirštines.
- Suvirinimo metu ultravioletiniai spinduliai gali nudeginti odą. Todėl dėvėkite atitinkamus apsauginius drabužius.
- Šis suvirinimo aparatas yra apsaugotas nuo perkrovos. Todėl, įvykus perkrovai, suvirinimo aparatas automatiškai išsijungia. Vėliau, pakankamai atvėsus, suvirinimo aparatas vėl automatiškai įsijungia.
- Suvirinamas ir vėstantis ruošinys gali deformuotis nuo įtempimo jėgų. Visada tai atminkite.
- Galima naudoti tik pristatytame komplekte esantį suvirinimo kabelį (gumuotą 10 mm² skersmens suvirinimo kabelį).
- Tose vietose, kur kyla gaisro ar sprogo pavojus, taikomos specialios saugos taisyklės.
- Sujungimus, kurie patiria didelį įtempimą ir privalo atitikti tam tikrus saugos reikalavimus, suvirinti gali tik specialiai išmokyti ir kvalifikuoti suvirintojai. Pavyzdžiai: slėginiai indai, judriosios apkabos, vilkių movos ir pan.
- Svarbu. Įžeminimo gnybtą visada prijunkite tuo arčiau suvirinimo taško, kad suvirinimo srovė galėtų nutekėti pačiu trumpiausiu keliu nuo elektrodo iki įžeminimo gnybto. Niekada nejunkite įžeminimo gnybto prie suvirinimo aparato korpuso! Niekada nejunkite įžeminimo gnybto prie įžemintų komponentų, įrengtų toli nuo ruošinio, pvz. vandentiekio vamzdžio kitame patalpos kampe. Antraip gali būti sugadinta patalpos, kurioje atliekate suvirinimo darbus, apsauginių laidų sistema.
- Tiekimo linijų prijungimų prie elektros išvadų saugikliai privalo atitikti reglamentą (VDE 0100). Apsauginių kontaktų išvadai gali būti prijungti naudojant maks. 16 A saugiklius (tipai ir techniniai duomenys: RT14-20, Ø 10 x 38, KS 400 V 16 A. IEC 60269, lėtojo veikimo. Gamintojas: „Chint“ (saugikliai arba grandinės pertraukikliai). Naudojant per didelio el. srovės

stiprumo saugikius gali sudegti kabeliai arba užsidedgi pastatas.

Elektros sauga



Tuoj pat išjunkite įrenginį, jei:

- Sugestų elektros kištukas, maitinimo kabelis arba būtų pažeistas kabelis.
- Sugestų jungiklis.
- Pastebėtumėte dūmus arba užuostumėte svylančią izoliaciją.



Įspėjimas! Atsizvelgiant į elektros tinklo sąlygas prijungimo taške, suvirinimo aparatas gali kelti trukdžių kitiems elektros prietaisams. Jei kiltų kokių nors abejonių šiuo klausimu, kreipkitės patarimo į elektros tiekimo įmonę.

- Įsitikinkite, ar suvirinimo aparatas ir elektros laidai yra tinkamai prijungti. Bet kokia elektros smūgio tikimybė gali kelti pavojų gyvybei.
- Visada tinkamai prijunkite elektrodo laikiklį ir įžeminimo gnybtą.
- Netraukite už elektros kabelių, kad jų nesugadintumėte. Prieš perkeldami suvirinimo aparatą į kitą vietą, atjunkite kabelius.
- Nelieskite suvirinimo aparato elektrai laidžios dalies, elektrodo laikiklio ir įžeminimo gnybto.
- Visada patikrinkite, ar jūsų maitinimo tinklo įtampa atitinka įrenginio duomenų plokštelėje nurodytą įtampą.
- Keičiant kabelius arba kištukus: Pakeitę kabelius ar kištukus naujais, senuosius išmeskite. Atsilaisvinusį kabelio kištuką jungti į elektros tinklo lizdą yra pavojinga.
- Visiems suvirinimo aparatams, naudojamiems 230 voltų elektros įtampą, naudokite bent 16 A saugiklį
- Naudojant ilginamuosius laidus: Naudokite tik aprobuotus ilginamuosius laidus, atitinkančius šio įrenginio galingumą. Laido viela turi būti bent 1,5 mm² skersmens. Visiškai suvyniokite laidą, jei ilginamasis laidas yra ant ritės.
- Įtampą turinčias dalis, t. y. kabelius, kištukus, sieninius lizdus ir pan., privalo remontuoti ir prižiūrėti tik kvalifikuoti elektrikai.

3. Priedų montavimas



Montuojant priedus, kištukas privalo būti ištrauktas iš sieninio elektros tinklo lizdo.

Įrenginio įrengimas

- Suvirinimo aparatą privaloma įrengti sausoje švarioje vietoje (kurioje nėra geležies drožlių, dulkių ir dažų).
- Statykite suvirinimo aparatą ant tvirto plokščio paviršiaus bent 20 cm atstumu nuo sienos.
- Saugokite suvirinimo aparatą nuo lietaus ir tiesioginių saulės spindulių.

Suvirintojo skydelis

2 pav.

- Sumontuokite suvirintojo skydelį, pritvirtindami rankeną pateiktaisiais varžtais.
- Dėkite šviesų stiklą (apsauginį stiklą) priešais tamsų suvirinimo stiklą. Įdėkite stiklus į langelį ir užfiksukite juos.
- Įsitikinkite, kad stiklai įdėti taip, kad pro angą negalėtų prasiskverbti jokia (žalinga) šviesa.
- Pakeiskite šviesų apsauginį stiklą, kai suvirinant ruošinys bus nepakankamai gerai matomas. Pakeisti tamsų suvirinimo stiklą kainuoja žymiai brangiau, nei šviesų apsauginį stiklą.

Naujų elektrodų įdėjimas

Elektrodą sudaro metalinė šerdis ir jos danga. Vienas elektrodo šerdies galas dangos neturi.

- Prispauskite elektrodo laikiklio rankeną prie spyruoklės.
- Įdėkite elektrodą nedengtu galu (± 2 cm) į elektrodo laikiklį. Įsitikinkite, ar nedengta dalis tinkamai liečia elektrodo laikiklio metalinę dalį (elektrodas nėra per daug įkištas į elektrodo laikiklį).
- Atleiskite griebtuvo rankeną. Dabar elektrodas yra užfiksutas.



P.S.! Nelaukite, kol elektrodas sudegs ir sutrumpės daugiau nei iki ± 5 cm, nes gali perkaisti ir (arba) deformuotis elektrodo laikiklis. Tuomet bus sunku išimti sudegusį elektrodą.

Naudotų elektrodų išėmimas

Prispauskite elektrodo laikiklio griebtuvą prie spyruoklės, kad elektrodas iškristų iš laikiklio.



P.S.! Netraukite elektrodo iš laikiklio rankomis. Elektrodas yra labai karštas!



P.S.! Atkreipkite dėmesį, kur nukris naudoto elektrodo galas, kad nekiltų gaisro pavojus ir galimai nesusižalotumėte.



Įspėjimas! Perskaitykite naudojimo instrukciją, prieš naudodami ir techniškai prižiūrėdami šį įrenginį.

Įrengimas

4 pav.

Pradžioje jungiklis (2) būna nustatytas padėtyje „OFF“ (išjungti). Įrenginys turi 2 kištukus ir jį galima jungti prie 230 V arba 400 V įtampos lizdo.

- Naudojant VDE kištuką, jungiklį galima nustatyti tik 230 V padėtyje. Norėdami naudoti suvirinimo aparatą prijungę prie 230 V įtampos tinklo, prijunkite VDE kištuką prie 230 V įtampos lizdo, tada nustatykite jungiklį (2) iš padėties „OFF“ (išjungti) į 230 V padėtį.
- Naudojant pramoninį 5 kontaktų kištuką, jį galima jungti tik prie 400 V įtampos tinklo lizdo. Prijunkite pramoninį kištuką prie 400 V įtampos tinklo lizdo, tada nustatykite jungiklį (2) iš padėties „OFF“ (išjungti) į 400 V padėtį.

Norėdami išvengti gaisro pavojaus, elektros smūgio arba sužalojimų, atkreipkite dėmesį į šiuos dalykus:

1. Prieš naudodamiesi suvirinimo aparatu, įsitikinkite, ar suvirinimo aparato nominalioji įtampa atitinka elektros šaltinio įtampą.
2. Atjunkite įrenginį nuo elektros tinklo, prieš nustatydami nominaliąją įtampą.
3. Draudžiama keisti nominaliąją įtampą, kai suvirinimo aparatas veikia.

4. Naudojimas

Prieš naudojimą:

- a. Bendroji informacija apie lankinį suvirinimą
- b. Elektrodas
- c. Apsauginiai drabužiai
- d. Veido apsauga
- e. Darbo aplinka

a. Bendroji informacija apie lankinį suvirinimą

Lanko, taip pat elektrodo galo ir išlydyto ruošinio temperatūra pasiekia maždaug 7000 °C. Esant elektros lankui, elektrodas lydysis ir tieks reikiamą suvirinimo medžiagą dalims, kurias reikia sujungti. Atstumas tarp elektrodo ir ruošinio privalo būti kuo mažesnis (maždaug 1,5–4 mm), atsižvelgiant į elektrodo skersmenį ir tipą. Suvirinimui reikiamą elektros srovę tiekia suvirinimo aparatas. Galia, kurios reikia suvirinimo aparatui, priklauso nuo darbo, kurį reikia atlikti. Užtikrinkite, kad elektrodai būtų visiškai sausi, nes drėgni elektrodai kelia problemų. Jei suvirinant elektrodas limpa prie ruošinio, nustatytas per mažas elektros srovės stiprumas.

b. Elektrodas

- Elektroda sudaro metalinė šerdis ir jos danga. Svarbiausia dangos paskirtis – apsaugoti skystą suvirinimo siūlės metalą ir lašus nuo aplinkos ore esančio deguonies ir azoto. Suvirinimo metu elektrodas lydosi. Dalis dangos išgaruoja, sudarydama apsauginį dujų sluoksnį. Dalis dangos suteka į skystą suvirinimo siūlės metalą (ji lengvesnė už plieną) ir taip pat apsaugo vėstančią siūlę. Atvėsus, ši danga ant suvirinimo siūlės tampa kietu, bet lengvai pašalinamu šlaku.
- Atsargiai elkitės su elektrodais, kad nebūtų pažeista jų danga. Užtikrinkite, kad elektrodai būtų visiškai sausi, laikykite juos sausoje vietoje.
- Labai svarbu naudoti tinkamą elektroda, kad suvirintas sujungimas būtų geras ir tvirtas. Galite naudoti universalų elektroda, kuris bus tinkamas daugeliu atvejų. Elektrodo pakuotėje nurodoma, kokiose padėtyse galima atlikti suvirinimą nurodytais elektrodais (aukštai, žemai ir pan., atsižvelgiant į elektrodo lydymosi greitį). Galima atskirai įsigyti elektrodų, skirtų gaminiams iš nerūdijančio plieno ir ketaus suvirinti. Pasitarkite su vietos atstovu dėl tinkamo elektrodo įsigijimo.

c. Apsauginiai drabužiai

Dėvėkite visiškai kūną dengiančius apsauginius drabužius, kad apsaugotumėte odą nuo nudegimų, kuriuos gali sukelti ultravioletiniai spinduliai arba išlydyto metalo pūslai. Verčiau dėvėkite medvilninį kombinezoną, suvirintojo pirštines ir apsauginius batus. Užtikrinkite, kad suvirinimo pūslų nepatektų į pirštines ar batus. (Odinė) suvirintojo prijuostė apsaugos darbo kombinezoną nuo sudeginimo ir žiežirbų.

d. Veido apsauga

2 pav.

Naudokite gerą suvirintojo skydelį su (tamsiu) suvirinimo stiklu ir apsauginiu stiklu. Patikrinkite, ar abu stiklai yra tinkamai įtaisyti (gerai pritvirtinti ir visiškai nepraleidžia saulės šviesos). Suvirintojo skydelis apsaugo suvirintoją nuo radiacijos, šilumos ir suvirinimo pusrų, besitaškiančių suvirinimo metu. Jis taip pat sumažina suvirinimo garų inhaliaciją. Nematomi ultravioletiniai spinduliai sukelia vadinamąją „suvirintojo blykstę“. Ji atsiranda vos kelias sekundes pažūrėjus į elektros lanką. Venkite šios radiacijos ir aukštos temperatūros poveikio veidui ir kitoms neapsaugotoms kūno dalims, pavyzdžiui kaklui ir rankoms. Apsisaugokite nuo pavojingo elektros lanko poveikio; žmonės, kurie dalyvauja atliekant suvirinimo darbus, turi būti bent 15 m atstumu nuo lanko. Žmonės arba padėjėjai, kurie dirba netoliese elektros lanko, privalo būti supažindinti su pavojais ir turėti bei naudotis privalomomis apsaugos priemonėmis. Jei reikia, pastatykite apsaugines sienes.

e. Darbo aplinka

- Darbo vieta privalo būti gerai apšviesta. Suvirinant išsiskiria dujos, kurios kelia pavojų jūsų sveikatai.
- Pašalinkite iš darbo vietos visus degius daiktus. Suvirinant kyla kibirkštys ir įkaita metalas.
- Užtikrinkite, kad šalia darbo vietos būtų aušinimui skirtas vandens. Nepalikite ką tik suvirintų (karštų) ruošinių darbo vietoje be priežiūros. Prieš išeidami iš darbo vietos, palaukite, kol ruošins atvės.

Apsauga nuo radiacijos ir nudegimų

- Darbo vietoje apie pavojų akims privaloma pranešti įrengiant ženklą „Dėmesio! Nežiūrėkite tiesiai į liepsną!“ Darbo vieta privalo būti kaip įmanoma geriau apsaugota ir atitverta, kad būtų apsaugoti netoliese esantys žmonės. Neleiskite nekvalifikuotiems darbuotojams atlikti suvirinimo darbų.
- Arčiausiai darbo vietos esančios sienos privalo būti nudažytos ryškiais arba blizgiais dažais. Langai bent iki akių lygio privalo būti uždažyti tinkamais dažais, kad aplinka būtų apsaugota nuo radiacijos atspindėjimo ar praleidimo.

Paruošimas naudojimui

3 pav.

Patarimas. Prieš pradėdant suvirinti sudėtingus ruošinius, geriausia būtų pirmiausiai pabandyti suvirinti bandomąjį ruošinį.

- Užtikrinkite, kad ruošins būtų švarus: nuvalykite rūdis, tepalo ir dažų likučius.
- Nustatykite reikiamą elektros srovės stiprumą, sukdami suvirinimo aparato priekyje esantį ratuką.
- Elektros srovės stiprumo pasirinkimas priklauso nuo ruošinio ir naudojamo elektrodo tipo.
- Įkiškite elektrodo galą be dangos į elektrodo laikiklį ir prijunkite įžeminimo gnybtą prie ruošinio.
- Įjunkite pagrindinį suvirinimo aparato jungiklį.
- Laikykite suvirintojo skydelį priešais veidą ir nukreipkite elektrodą virš ruošinio taip, lyg uždegtumėte degtuką. Taip lengviausia sudaryti suvirinimo lanką. Nelieskite ruošinio elektrodu. Antraip elektrodas bus sugadintas ir suvirinimo lankas nesusidarys.
- Susidarius suvirinimo lankui, tuoj pat pabandykite išlaikyti vienodą atstumą nuo elektrodo galo iki ruošinio. Šis atstumas turi prilygti elektrodo skersmeniui. Stenkitės kuo labiau išlaikyti šį vienodą atstumą suvirinimo metu.
- Palaipsniui traukite elektrodą virš ruošinio.
- Judėjimo kryptimi tarp elektrodo ir ruošinio privaloma išlaikyti 60–70° kampą.
- Pabaigę suvirinimo siūlę, nutraukite suvirinimo lanką, patraukdami elektrodą nuo ruošinio.
- Išjunkite suvirinimo aparatą.



P.S. Jeigu suvirinimo aparato neišjungs site, kils didelė tikimybė, kad elektrodas (pro darbatalį) palies įžeminimo kabelį ir savaime pradės suvirinimą.

- Pašalinkite šlaką nuo suvirinimo siūlės nukalimo plaktuku.



Būkite atsargūs, kad jūsų nesužeistų lekiančios įkaitusio metalo dalelės. Visada dėvėkite apsauginius darbo akinius.

- Niekada nevirinkite ant likusio šlako: šlakas sudaro izoliacinį teršalų sluoksnį ir dėl to susilpnina suvirinimo siūlę (susidaro

vadinamasis šlako intarpas).

- Nušveikite suvirinimo siūlę vieliniu šepetčiu.



P.S. Ruošinys vis dar įkaitęs iki labai aukštos temperatūros. Nepalikite įkaitusio ruošinio be priežiūros.

Temperatūros kontrolinė lemputė 1 pav.

Jei suvirinimo aparatas per daug įkais, įrengtasis termostatas jį išjungs (užsidegs kontrolinė lemputė). Įrengtasis ventilatorius atšąsins įrenginį. Įrenginiui atvėsus, lemputė vėl užges. Kantriai palaukite, kol įrenginys pakankamai atvės; vykdant intensyvius suvirinimo darbus, po kelių minučių vėl gali suveikti šilumos saugiklis.

5. Techninis aptarnavimas ir priežiūra



Būtinai atjunkite įrenginį nuo elektros tinklo, prieš atlikdami bet kokius techninės priežiūros darbus.

Šis įrenginys skirtas ilgalaikiam darbui, prireikiant minimalios techninės priežiūros. Nuolatinis, geras įrankio veikimas priklauso nuo tinkamos įrankio priežiūros ir reguliaraus valymo.

Veikimo sutrikimas

Jeigu įrenginys netinkamai veiktų, toliau pateikiame keletą galimų priežasčių ir atitinkamų:

Suvirinimo aparatas neveikia.

- Įžeminimo gnybtas netinkamai prijungtas prie ruošinio.
- Elektrodas netinkamai įkištas į jo laikiklį.
- Išjungtas šiluminis valdiklis arba perdegę šilumos saugiklis.
- Perdegę saugiklis (skydinėje).
- Nutrūko kabelis.
- Sugedo jungiklis / kreipkitės į vietos atstovą.

Elektrodas vis tiek „limpa“ prie ruošinio.

- Naudokite tinkamo tipo elektrodą (universalųjį).
- Nustatytas per mažas elektros srovės stiprumas / pasukite ratuką 3 pagal laikrodžio rodyklę.

Elektrodas yra oranžinės-raudonos spalvos.

- Nustatytas per didelis elektros srovės stiprumas / pasukite ratuką 3 prieš laikrodžio rodyklę.

Elektrodas pernelyg tyška ir suvirinant kyla didelis triukšmas.

Nustatytas per didelis elektros srovės stiprumas / pasukite ratuką 3 prieš laikrodžio rodyklę.

Įrenginys perkaity; šviečia kontrolinė lemputė.

- Užsikimšo ventilacijos angos / išvalykite jas sausa šluoste; palaukite kelias minutes, kol lemputė vėl užges.



Remonto ir techninio aptarnavimo darbus privalo atlikti kvalifikuoti specialistai arba techninės priežiūros atstovas.

Valymas

- Ventilacijos angos turi būti švarios: nedulkėtos ir nepurvinos. Įsisenėjusius nešvarumus nuvalykite minkšta šluoste, sudrėkinta muiluotame vandenyje. Nenaudokite jokių tirpiklių, pavyzdžiui benzino, alkoholio, amoniako ir kt.
- Įsitikinkite, ar elektrodo laikiklis ir įžeminimo gnybtas nesurūdiję, kad tarp jų susidarytų tinkamas elektros kontaktas.
- Reguliariai tikrinkite, ar suvirinimo ir ruošinio kabeliai yra tvirtai prijungti prie jų jungčių.

Tepimas

Šio įrenginio papildomai tepti nereikia.

Gedimai

Jeigu įvyktų koks nors gedimas, pvz., susidėvėtų kokia nors dalis, susisieki su techninio aptarnavimo atstovu, kurio adresas yra nurodytas garantijos kortelėje. Šio vadovo gale rasite dalių, kurias galite užsisakyti, sąrašą.

Aplinkosauga

Norint apsaugoti nuo pažeidimo gabenimo metu, šis prietaisas pristatomas kietoje pakuotėje, kurią pagrinde sudaro medžiagos, kurias galima vėl naudoti. Todėl prašome atiduoti įpakavimą perdirbimui.



Sugedusius ir (arba) išmestus elektrinius arba elektroninius aparatus reikia pristatyti į atitinkamus perdirbimo punktus.

Taikoma tik EB šalims

Neišmeskite elektrinių įrankių kartu su įprastomis buitinėmis atliekomis.

Atsižvelgiant į ES Direktyvą 2012/19/ES dėl elektrinių ir elektroninių įrenginių bei jos įgyvendinimą pagal nacionalinius teisės aktus, visi elektriniai įrankiai privalo būti surenkami atskirai nuo buitinių atliekų bei perdirbami tokiu būdu, kad nebūtų daroma žala aplinkai.

Garantija

Garantijos sąlygas galima rasti atskirai pateiktoje garantijos kortelėje.

**ELEKTROMETINĄŠANAS APARĀTS
55 - 160A**

Turpmākajā tekstā norādītie numuri attiecas uz 2. un 109. lpp. redzamajiem attēliem



Pirms sākt lietot šo iekārtu, uzmanīgi izlasiet lietošanas pamācību. Iepazīstieties ar tās funkcijām un pamata darbību. Iekārtas apkopi veiciet saskaņā ar instrukcijām, lai nodrošinātu, ka tā vienmēr darbojas pareizi. Lietošanas pamācību un komplektācijā iekļauto dokumentāciju jāglabā iekārtas tuvumā.

Ievads

Loka metināšanas process tiek izmantots, lai izkausētu apstrādājamo materiālu pievadītā siltumu ietekmē. Pielietojot elektroloka metināšanu, ir nepieciešams izmantot arī izgatavoto metināšanas materiālu (elektroodus). Metināšanas šuve izveidojas pēc sacietēšanas. Nepieciešamais siltums tiek iegūts, uzturot elektrisko loku starp elektrodu un sagatavi. Metināšanas procesam nepieciešama stipra strāva (55-160 A) ar salīdzinoši zemu spriegumu (10-48 V). Transformators metināšanas iekārtā nodrošina tīkla sprieguma (400 V) pazemināšanu. Iekārta nav piemērota komerciālai lietošanai!

Saturs

1. Informācija par iekārtu
2. Drošības norādījumi
3. Montāžas piederumi
4. Eksploatācija
5. Apkalpošana un apkope

1. Informācija par iekārtu**Tehniskie dati**

Spriegums	230 / 400 V ~
Frekvence	50 Hz
Metināšanas jauda	55 / 140 A (230 V) / 160 A (400 V)
Spriegums bez slodzes	48 V / 230 V
Jaudas koeficients	0.62
Elektrodu diametrs	2 - 4 mm
Svars	22.1 kg
Gabarīti	56 x 32.5 x 40 cm
Termiskā aizsardzība	105 °C (±5 °C)
Barošanas vads	H07RN-F 3×1.5mm ² 2m
Metināšanas kabelis	H01N2-D 1×16mm ² 2m

Lepakojuma saturs

- 1 metināšanas iekārta
- 1 metināšanas maska
- 1 stieņu birste/
- 1 lietotāja rokasgrāmata
- 1 drošības norādījumi
- 1 garantijas karte

Pārbaudiet instrumentu, vai nav valīgas detaļas un vai piederumiem nav transporta bojājumi.

Izstrādājuma informācija**1 un 2. att.**

1. Indikatora lampas temperatūra
2. Ieslēgšanas/izslēgšanas slēdzis
3. Rotējošais kloķis strāvas stipruma iestatīšanai
4. Metināšanas vads ar elektrodu turētāju
5. Sazemējuma vads ar stiprinājumu
6. Gumijas vāciņš
7. Rokturis
8. Vēdināšanas spraugas
9. Stieņu birste / atskaldīšanas āmurs
10. Metināšanas maska
11. Elektrodi

Galds: uzstādīšana un lietošana

Elektroda Ø (mm)	Strāvas stiprums (A)	Piemērots priekš, tostarp:
2	50-75	Materiāla biezums 2-3 mm Sienas statīva remonts
2.5	70-100	Materiāla biezums 4-5 mm Dārza žogs, dārza atpūtas aprīkojums
3.2	95-150	Materiāla biezums 6-7 mm Nojume mašīnai, garāža
4	130-160	Materiāla biezums 8-12 mm Konstrukcijas (biezsienu)

2. Drošības norādījumi

Brīdinājums! Izlasiet instrukciju rokasgrāmata.

Simbolu skaidrojums

Apzīmē ievainojuma, nāves vai instrumenta bojājuma risku, ja netiek ievēroti šajā rokasgrāmātā sniegtie norādījumi.



Norāda elektrošoka risku.



Vada bojājuma gadījumā un apkopes laikā nekavējoties atvienojiet kontakt dakšu no elektrotīkla.



Neļaujiet tuvumā atrasties nepiederošām personām.



Nepakļaujiet lietus iedarbībai



Izmantojiet ausu un acu aizsardzības līdzekļus.



Valkājiet aizsargcimdus.



Vienmēr lietojiet metināšanas masku



Valkājiet aizsargapģērbu

EN60974-6 Standarts metināšanas aparātiem manuālai metāla loka metināšanai ar ierobežotu lietojumu.

EMC klasifikācija saskaņā ar IEC 60974-10



Elektrodu turētājs



Zemējuma spaiļe



Sprieguma kritums



Vienfāzes transformators



Elektrobarošanas ķēde, vienfāzu vai trīsfāzu ~50 Hz



Elektroda diametrs



Drošinātājs 16 A



Maksimālais I1 maks. primārās strāvas stiprums, ampēri

I₂ *Sekundārās strāvas stiprums, ampēri*

●●● *Nominālais maksimālais metināšanas laiks režīmā ar pārtraukumiem*

— *Nominālais maksimālais metināšanas laiks nepārtrauktā režīmā*

IP21S *Aizsardzības klase. Aizsargāts pret objektiem līdz 12 mm diametrā, un pret vertikāli krītošiem ūdens pilieniem. Apturēšana ar ūdens kontroli.*

H *Izolācijas klase*

U₀ *Nominālais tukšgaitas spriegums*

U₁ *Nominālais barošanas spriegums*

U₂ *Standarta slodzes sprieguma vērtības*

I^{eff} *Maksimālā efektīvā elektrotīkla strāva*

Vispārējās drošības instrukcijas metināšanas iekārtām

- Iekārtas lietotājs ir jāinstruē, kā izmantot un darbināt iekārtu.
- Nodrošiniet labi apgaismotu un sakoptu darba vidi.
- Pirms iekārtas apkopes vienmēr izņemiet kontaktdakšu no kontaktligzdas.
- Izņemiet kontaktdakšu no kontaktligzdas, kad atstājat iekārtu.
- Neizmantojiet iekārtu, pirms esat to pilnībā samontējuši un uzstādījuši, kā aprakstīts rokasgrāmatā.

Īpašas drošības instrukcijas metināšanas iekārtai

- Iekārtas lietotājs ir jāinstruē, kā izmantot un darbināt iekārtu.
- Nodrošiniet labi apgaismotu un sakoptu darba vidi.
- Pirms iekārtas apkopes vienmēr izņemiet kontaktdakšu no kontaktligzdas.
- Izņemiet kontaktdakšu no kontaktligzdas, kad atstājat iekārtu.
- Neizmantojiet iekārtu, pirms esat to pilnībā samontējuši un uzstādījuši, kā aprakstīts rokasgrāmatā.

Īpašas drošības instrukcijas metināšanas iekārtai

- Metināšana rada dzirksteles un karsta metāla šlakatas. Atcerieties, ka tā ir ugunsbīstama, un

aizvāciet visus viegli uzliesmojošus objektus no darba vides.

- Nodrošiniet labu ventilāciju darba vidē. Metināšanas laikā tiek atbrīvotas gāzes, kas ir bīstamas jūsu veselībai.
- Nemetiniet konteinerus vai caurules, kas satur vai ir saturējušas viegli uzliesmojošus šķidrumus vai gāzes (ugunsgrēka vai sprādziena bīstamība).
- Nemetiniet materiālus, kas ir tīrīti ar viegli uzliesmojošiem šķidrumiem, vai kuriem ir krāsotas virsmas (iespējāmība atbrīvoties bīstamām gāzēm).
- Nestrādājiet mitrā vai slapjā vidē un nemetiniet lietū.
- Vienmēr aizsargājiet acis ar komplektācijā esošo metināšanas masku.
- Izmantojiet cimdus un aizsargapģērbu, kas ir sauss un nav piesūcies ar eļļām vai netīrumiem.
- Kušņi, kas ir jāatskalda nost, dažreiz ir kvēlojoši karsti un var izraisīt nopietnas acu traumas kušņu noņemšanas laikā. Vienmēr valkājiet aizsargbrilles un cimdus.
- Ultravioletais starojums metināšanas laikā var apdedzināt ādu. Tāpēc vienmēr valkājiet piemērotu aizsargapģērbu.
- Jūsu metināšanas iekārta ir aizsargāta pret pārslodzi. Tāpēc metināšanas iekārta automātiski izslēdzas, ja tā tiek pārslogota. Metināšanas iekārta automātiski atkal ieslēdzas, kad tā ir atdzisis pietiekami.
- Metināšanā un dzesēšanas laikā jūsu detaļa var deformēties spriegumu dēļ. Tas vienmēr ir jāpatur prātā.
- Var lietot tikai piegādes komplektā iekļautos metināšanas kabelus (Ø10 mm2 gumijots metināšanas kabelis).
- Īpaši noteikumi attiecas uz ugunsbīstamām vai sprādzienbīstamām vietām.
- Metinātus savienojumu, kas pakļauti augsta sprieguma iedarbībai un kuriem ir jāatbilst noteiktām drošības prasībām, metināšanu drīkst veikt tikai speciāli apmācīti un sertificēti metinātāji. Daži piemēri: Spiedvertnes, slīdsledes, vilkšanas savienojumi u.c.
- Svarīgi: Vienmēr pievienojiet zemējuma spaili pēc iespējas tuvāk metinājuma vietai tā, lai metināšanas strāva varētu plūst pa iespējami īsāko ceļu no elektroda uz zemējuma spaili. Nekad nepievienojiet zemējuma spaili pie metināšanas iekārtas korpusa! Nekad nepievienojiet zemējuma spaili pie sazemētiem komponentiem, kas atrodas tālu prom no apstrādājamā materiāla, piemēram, pie

ūdensvada caurules citā istabas stūrī. Pretējā gadījumā varētu sabojāt aizsardzības elektrovadošo elementu sistēmu telpā, kurā jūs metināt.

- Drošinātājiem elektropiegādes līnijās līdz strāvas izvades līgzdām jāatbilst noteikumiem (VDE 0100). Aizsargāto kontaktligzdu līnijas var aprīkot ar maks. 16 A drošinātājiem (tipi un tehniskie dati: RT14-20, Ø10 x 38, maiņstr. 400 V 16 A. IEC 60269, lēnas nostrādes. Ražotājs: CHINT) (drošinātāji vai līnijas aizsardzības atslēdzēji). Drošinātāji ar augstāku nostrādes strāvu var sadedzināt kabelus vai izraisīt ugunsgrēka bojājumus ēkā.

Elektrodrošība



Izslēdziet iekārtu uzreiz, ja:

- pastāv defekts elektrotīkla kontaktdakšā, strāvas pievadkabeļi vai ir bojāts kabelis;
- bojāts slēdzis;
- redzami dūmi vai ir saozāma degošas izolācijas smaka..



Uzmanību! Atkarībā no elektroapgādes tīkla apstākļiem pieslēguma vietā, metināšanas barošanas avots var radīt traucējumus elektroapgādes tīklā citiem elektroenerģijas lietotājiem. Ja ir šaubas par šo jautājumu, vērsieties pēc padoma elektroenerģijas piegādātāja iestādē.

- Pārliecinieties, ka metināšanas iekārta ir kārtībā un elektriskie elektroinstalācijas savienojumi ir veikti pareizi. Jebkura elektrošoka iespējamība var apdraudēt dzīvību.
- Vienmēr nodrošiniet labus savienojumus - gan elektroda turētājā, gan zemējuma spailē.
- Nepieļaujiet, ka elektrības kabeļi tiek bojāti, tos velkot. Atvienojiet kabelus pirms pārvietojat metināšanas iekārtu.
- Izvairieties no kontakta ar metināšanas iekārtas elektrību vadošām daļām, elektroda turētāju un zemējuma spaili.
- Vienmēr pārbaudiet, vai jūsu elektrotīkla spriegums atbilst vērtībai uz iekārtas tipa plāksnītes.
- Pasākumi, veicot kabeļu un kontaktdakšu nomaīņu:
- izmetiet vecos kabeļus un sveces, tiklīdz tie ir aizstāti ar jauniem;
- vajīgu kabeļa kontaktdakšu ievietošana

kontaktlīgzdā ir bīstama.

- Visām metināšanas iekārtām, kas darbojas ar 230 voltiem, izmantojiet vismaz 16 ampēru drošinātāju
- Kad tiek izmantoti pagarinājuma vadi: Izmantojiet tikai apstiprinātu pagarinātāja vadu, kas ir piemērots iekārtas jaudai. Stieples šķērsgriezuma laukumam jābūt vismaz 1,5 mm². Ja pagarinājums vads ir uzlīts uz rituļa, pilnībā izritiniet vadu.
- Ļaujiet strādāt ar elektrotīkla izvadiem, piemēram, ar kabeļiem, spraudkontaktu savienotājiem, izvadiem u.c., tikai kvalificētiem elektriķiem.

3. Montāžas piederumi



Piederumu montāžas laikā pārliecinieties, ka kontaktdakša ir izņemta no kontaktlīgzdas.

Iekārtas uzstādīšana

- Uzstādiet metināšanas iekārtu sausā un tīrā telpā (bez dzelzs pulvera, putekļiem un krāsas).
- Novietojiet metināšanas iekārtu uz cietas un līdzenas virsmas un vismaz 20 cm no sienas.
- Sargājiet metināšanas iekārtu no lietus un spēcīgas saules gaismas.

Metināšanas maska

2. att.

- Sagatavojiet metināšanas masku, piestiprinot rokturi ar piegādātajām skrūvēm.
- Novietojiet caurspīdīgo stiklu (aizsargstikls) tumšā metināšanas stikla priekšpusē. Novietojiet stiklus loga iekšpusē un noslēdziet tos.
- Pārliecinieties, ka stikli ir novietoti tā, ka nekāda (kaitīga) gaisma neiekļūst caur atveri.
- Nomainiet gaismas aizsargstiklu, kad skats uz apstrādājamo detaļu kļūst nepietiekami skaidrs metināšanas laikā. Tumšā metināšanas stikla nomaīņa ir ievērojami dārgāka nekā caurspīdīga gaismas aizsargstikla nomaīņa.

Jaunu elektrodu uzstādīšana

Elektrods sastāv no metāla serdes, kas nosepta ar pārklājumu. Vienā elektroda galā serdi pārklājums nenosedz.

- Saspiediet elektroda turētāja rokturi pret atsperi.
- evietojiet elektrodu ar nepārklāto galu (± 2 cm) elektrodu turētājā. Pārliecinieties, ka nepārklātā daļa nodrošina labu kontaktu ar elektrodu turētāja metālisko daļu (elektrods nav jāiedzīļina pārāk tālu elektrodu turētājā).
- Atbrīvojiet piespiedēja rokturi. Elektrods tagad nostiprināts.



NB! Neļaujiet elektrodam nodegt līdz garumam, kas tsāks nekā ± 5 cm, jo pastāv elektroda turētāja pārkaršanas un/vai deformācijas risks. Nodegušo iso elektrodu tad būs grūti izņemt.

Izmantoto elektrodu izņemšana

Piespiediet elektroda turētāja rokturi pret atsperi tā, lai nodegušais elektrods varēt izkrist no turētāja.



NB! Neizņemiet elektrodu no turētāja ar rokām. Elektrods ir ļoti karsts!



NB! Novērojiet, kur izlietotais elektrods nokrīt, lai novērstu ugunsbīstamību un iespējamu



Brīdinājums! Pirms šīs iekārtas ekspluatācijas un apkalpošanas izlasiet instrukciju rokasgrāmatas.

Uzstādīšana

4. att.

Sākotnējā slēdža (2) pozīcija ir iestatīta uz "OFF" (IZSLĒGTS). Lekārtai ir 2 spraudņi, to var izmantot pie 230 V vai 400 V sprieguma.

- Ar VDE kontaktdakšu to var izmantot tikai 230 V pozīcijā. Lai darbinātu metināšanas iekārtu pie 230 V sprieguma, pievienojiet VDE spraudni 230 V barošanas elektroītīklam, pēc tam pagrieziet slēdzi (2) no "OFF" uz 230 V pozīciju.
- Lekārtu ar 5 tapu rūpniecisko kontaktdakšu var izmantot tikai pie 400 V sprieguma. Pievienojiet rūpniecisko kontaktdakšu 400 V barošanas elektroītīklam, pēc tam pagrieziet slēdzi (2) no "OFF" uz 400 V pozīciju.

Lai izvairītos no ugunsgrēka, elektrošoka vai traumas riska, lūdzu, ņemiet vērā turpmāk minēto.

1. Pirms darbināt metināšanas iekārtu, lūdzu, pārliecinieties, ka tās nominālā sprieguma vērtība atbilst strāvas avota spriegumam.
2. Pirms uzstādīt nominālo spriegumu, lūdzu, atvienojiet iekārtu no strāvas padeves.
3. Nominālā sprieguma pielāgošana metināšanas iekārtas darbības laikā ir aizliegta.

4. Ekspluatācija

Pirms lietošanas:

- a. Vispārīga informācija par elektriskā loka metināšanu
- b. elektrods
- c. Aizsargapgērbs
- d. Sejas aizsardzība
- e. Darba vide

a. Vispārīga informācija par elektriskā loka metināšanu

Elektriskā loka temperatūra sasniedz apm. 7000° pēc Celsija, tāpēc elektroda gals un darbgabala materiāls izkūst. Tik ilgi, kamēr elektriskais loks tiek saglabāts, elektrods kūsīs un piegādās nepieciešamo metināšanas materiālu savienojamām detaļām. Attālumam starp elektrodu un apstrādājamo detaļu jābūt pēc iespējas Tsākam (aptuveni 1,5 - 4 mm), atkarībā no elektroda diametra un tipa. Metināšanai nepieciešamo strāvu piegādā metināšanas iekārtas. Jauda, kas nepieciešama metināšanas iekārtai, ir atkarīga no veicamā darba. Pārliecinieties, ka elektrodu ir pilnīgi sausi, jo mitri elektrodu rada problēmas. Ja elektrods pielīp detaļai metināšanas laikā, strāvas stiprums ir iestatīts pārāk zems.

b. Elektrods

- Elektrods sastāv no metāla serdes, kas klāta ar pārklājumu. Pārklājuma vissvarīgākais mērķis ir aizsargāt metināšanas vietu un pārnestos metāla pilienus pret apkārtējā gaisā esošā skābekļa un slāpekļa iedarbību. Elektrods kūst metināšanas laikā. Daļa no pārklājuma iztvaiko, tādējādi veidojot aizsarggāzu vairogu, daļa no pārklājuma izplūst virs metināšanas šuves (tas ir vieglāks nekā tērauds), kā arī aizsargā atdziestošo metinājumu. Pēc šī pārklājuma atdziestošanas, tas kļūst par cietu, bet viegli noņemamu kusni

uz metinātā savienojuma.

- Rīkojieties ar elektrodiem uzmanīgi, lai netiktu bojāts pārklājums. Pārliecinieties, ka elektrodi ir viscaur sausi, tāpēc uzglabājiet tos no mitruma brīvā vietā.
- Lai izveidotu labu un spēcīgu metināto savienojumu, ir ļoti svarīgi izmantot pareizo elektrodu. Universālais elektrods daudzos gadījumos var būt piemērots jūsu darbam. Uz elektrodu iepakojuma ir norādīts, kādā stāvoklī jāveic metināšana ar attiecīgajiem elektrodiem (virs galvas, uz leju utt., paturot prātā elektroda kušanas ātrumu). Atsevišķi elektrodi ir komerciāli pieejami dažāda tipa nerūsējošā tērauda un čuguna metināšanā. Konsultējieties ar izplatītāju par pareizo elektrodu iegādi.

c. Aizsargapģērbs

Valkājiet viscaur pārklājošu apģērbu, lai ādas apdedzināšanas ar ultravioleto starojumu vai metāla šķakātām iespējamību samazinātu līdz minimumam. Vēlams valkāt kokvilnas kombinezonu, metināšanas cimdus un drošības apavus. Pārliecinieties, ka metināšanas šķakatas nevar nonākt cimdos vai apavos. A (āda) metināšanas priekšauts novērš aizdegšanās un dzirksteju kaitējumu kombinezonam.

d. Sejas aizsardzība

2. att.

Izmantojiet labu metināšanas masku ar metināšanas stiklu (tumšs) un aizsargstiklu. Pārbaudiet, vai abi stikli ir pareizi uzstādīti (labi nostiprināti un neļaujot caurspieties nekādai saules gaismai). Metināšanas maska aizsargā metinātāju no izstarojuma, karstuma un metināmā materiāla šķakātām, kas atbrīvojas metināšanas procesā. Tā arī samazina metināšanas izgarojumu ieelpošanu. Neredzami ultravioletie stari izraisa tā sauktās "metinātāja dzirkstelītes". Tās parādās jau pēc pāris sekundžu skatīšanās elektriskā lokā. Izvairieties no šī starojuma ietekmes un augstu temperatūru iedarbības uz seju un citām atklātām ķermeņa daļām, piemēram, kaklu un rokām. Aizsargājiet sevi pret bīstamām elektriskā loka iedarbības sekām un nodrošiniet, ka nepiederošās personas atrodas vismaz 15 m attālumā no elektriskā loka. Personas vai palīgi, kas strādā netālu no elektriskā loka jābrīdina par apdraudējumiem, un viņi ir jāapgādā ar nepieciešamajiem aizsarglīdzekļiem. Ja nepieciešams, uzstādiet aizsargsienas.

e. Darba vide

- Nodrošināt labi vēdināmu darba vidi. Metināšanas laikā tiek atbrīvotas gāzes, kas ir bīstamas jūsu veselībai.
- Aizvāciet visus uzliesmojošus priekšmetus no darba vides. Metināšana izraisa dzirksteles un karsta metāla šķakatas.
- Pārliecinieties, ka dzesēšanas ūdens atrodas darbavietā tuvumā. Neatstājiet tikko metinātas (karstas) detaļas bez uzraudzības darba vietā. Atdzesējiet detaļu pirms aiziešanas no darba vietas.

Aizsardzība pret starojumu un apdegumiem

- At the work place, the hazard to the eyes must be indicated by a sign stating "Caution! Do not look at the flames!" The workstations must be shielded as much as possible in such a manner that personnel standing in the vicinity of the workstation are protected. Keep unauthorized personnel away from the welding work.
- In the immediate vicinity of the stationary workstations, the walls should not be brightly colored or glossy. Windows must be coated with suitable paint to at least eye-level to prevent radiation reflecting or passing through.

Nodošana ekspluatācijā

3. att.

Padoms. Pirms sākt metināt grūti sametināmas detaļas, vislabāk ir vispirms izmēģināt metināšanu uz pārbaudes gabala.

- Padoms. Pirms sākt metināt grūti sametināmas detaļas, vislabāk ir vispirms izmēģināt metināšanu uz pārbaudes gabala.
- Nodrošiniet, ka detaļa ir tīra: noņemiet rūsas, tauku un krāsas atliekas.
- Uzstādiet nepieciešamo strāvas stiprumu, izmantojot pogu metināšanas iekārtas priekšpusē.
- Strāvas stipruma izvēle ir atkarīga no sagataves un izmantotā elektroda tipa.
- Ievietojiet elektroda daļu bez pārklājuma elektrodu turētājā un pievienojiet zemējuma spaili sagatavei.
- Ieslēdziet metināšanas iekārtu ar galveno slēdzi.
- Turiet metināšanas masku tuvu sejai un pārvietojiet elektroda galu virs apstrādājamās detaļas, līdzīgi kā uzraujot sērkočiju. Tas ir labākais veids, kā sākt elektrometināšanu.

Nesitiet detaļu ar elektrodu. Tā tiks sabojāts elektrods un aizkavēta metināšanas loka izveide.

- Pēc metināšanas loka izveides tūlīt mēģiniet saglabāt nemainīgu attālumu starp elektroda galu un apstrādājamo detaļu. Uzturiet šo attālumu, kas ir vienāds ar elektroda diametru. Saglabājiet šo attālumu metināšanas laikā pēc iespējas nemainīgu.
- Pārvietojiet elektrodu pakāpeniski, ar velkošu kustību pār sagatavi.
- Uzturiet 60° līdz 70° leņķi starp elektrodu un apstrādājamo detaļu kustības virzienā.
- Kad metinātā savienojuma izveide ir pabeigta, pārtrauciet metināšanas loku, noņemot elektrodu no apstrādājamā materiāla.
- Izslēdziet metināšanas iekārtu.



N.B. Ja jūs atstājat metināšanas iekārtu ieslēgtu, pastāv liela iespēja, ka elektrods izveidos kontaktu ar zemējuma kabeli (caur darbgaldu) un spontāni sāks metināt.

- Noņemiet izdedžus no metinātā savienojuma ar atskaldīšanas āmuru.



*Uzmanieties no karstām lidojošām metāla daļiņām.
Vienmēr jāvalkā aizsargbrilles.*

- Nekad nemetiniet virs kušņu atliekām: kušņi veido izolācijas slāni un piesārņojošu slāni, kā rezultātā tiek vājināta šuve (tā sauktie kušņu ieslēgumi).
- Notīriet šuves, izmantojot stieplju birsti.



N.B. Sagatave joprojām ir ļoti augsta temperatūra. Neatstājiet karstu detaļu bez uzraudzības.

Indikatora lampas temperatūra

1. att.

Kad metināšanas iekārtas temperatūra kļūst pārāk augsta, iebūvētais termostats izslēgs iekārtu (indikatora lampiņa). Iebūvētais ventilators atdzesē iekārtu. Pēc atdzesēšanas lampiņa atkal nodziest.

Vēlams ļaut iekārtai pietiekami ilgi atdzist; jo pie intensīvas metināšanas pastāv liela iespējamība, ka termoatslēdzējs nostrādās atkal pēc dažām minūtēm.

5. Apkalpošana un apkope



Pirms veikt jebkādu tehnisko apkopi pārlicinieties, ka iekārta ir atvienota.

Šī iekārta ir konstruēta ilgam ekspluatācijas laikam, ar minimālu apkopi. Nepārtraukta apmierinoša darbība ir atkarīga no pareizas iekārtas apkopes un regulāras tīrīšanas.

Darbības traucējumi

Ja iekārta nedarbojas pareizi, turpmāk minēti dažī iespējamie cēloņi un to atbilstošie risinājumi.

Metināšanas iekārta nedarbojas.

- Zemējuma spaiļi nav labs kontakts ar sagatavi.
- Elektrods nav pareizi novietots turētājā.
- Termiskā aizsargierīce ir izslēgusies vai aizsargierīce ir bojāta.
- Nepareizs drošinātājs (mērierīču kārbā).
- Kabelis ir bojāts.
- Slēdzis ir bojāts - sazinieties ar izplatītāju.

Elektrods turpina "pieķerties" sagatavei.

- Izmantojiet pareiza tipa elektrodu (universālais)
- Strāvas stiprums ir pārāk mazs / pagrieziet pogu 3 pulksteņrādītāju virzienā

Elektrods ir oranži-sarkans.

- Strāvas stiprums ir pārāk liels šāda tipa elektrodam / pagrieziet pogu 3 pretēji pulksteņrādītāju virzienam

Elektrodi metināšanas laikā rada pārmērīgi daudz šķakatu un lielu troksni.

- Strāvas stiprums ir pārāk liels / pagrieziet pogu 3 pretēji pulksteņrādītāju virzienam

Iekārta ir pārāk karsta; indikators ir ieslēgts.

- Ventilācijas atveres ir bloķētas / iztīriet tās ar sausu drānu; nogaidiet dažas minūtes, kamēr lampiņa atkal nodziest.



Remontu un apkopi drīkst veikt tikai kvalificēts tehniķis vai servisa uzņēmums.

Tīrīšana

- Regulāri iztīriet putekļus un netīrumus no ventilācijas atverēm. Lai noņemtu grūti tīrāmus netīrumus, izmantojiet mīkstu drāniņu, kas samitrināta ar ziepjūdenī. Neizmantojiet

šķīdinātājus, piemēram, benzīnu, spirtu vai amonjaku u.c.

- Pārliecinieties, ka elektrodu turētājam un zemējuma spaiļei nav korozijas pēdu, tādējādi nodrošinot tiem labu elektrisko kontaktu.
- Regulāri pārbaudiet, metināšanas iekārtas un apstrādājamās detaļas kabeļu savienojumi ir cieši savienoti

Eļļošana

Iekārtai nav nepieciešama papildu eļļošana.

Bojājumi

Ja rodas kādi bojājumi, piemēram, detaļas nodilumi, lūdzu, sazinieties ar pārdevēju vai apkopes centru, kura adrese norādīta garantijas talonā. Šīs rokasgrāmatas aizmugurē atrodams izvērsts skats, kur parādītas detaļas, ko iespējams pasūtīt.

Apkārtējā vide

Lai izvairītos no bojājumiem pārvadāšanas laikā, iekārta tiek piegādāta cietā iepakojumā, kas sastāv galvenokārt no atkārtoti izmantojama materiāla. Tāpēc izmantojiet iespējas iepakojuma pārstrādei.



Bojāta un/vai nolietota elektriskā vai elektroniskā aparātūra jānogādā piemērotā utilizācijas centrā.

Tikai EK valstīm

Neizmetiet elektroinstrumentus sadzīves atkritumos.

Saskaņā ar Eiropas Direktīvu 2012/19/EK par elektrisko un elektronisko iekārtu atkritumiem un, īstenojot to saskaņā ar valsts tiesību aktiem, visi elektroinstrumenti, kam beidzies ekspluatācijas laiks, jāsavāc atsevišķi un jāpārstrādā videi nekaitīgā veidā.

Garantija

Garantiju nosacījumus var atrast atsevišķi pievienotajā garantijas kartē.

KAARKEEVITUSSEADE 55 - 160A

Numbrid järgnevas tekstis viitavad joonistele lk 2 + 109.



Lugege kasutusjuhend enne seadme kasutamist hoolikalt läbi. Tutvuge seadme funktsioonide ja tööpõhimõtetega. Hooldage seadet vastavalt juhiste, et see töötaks alati korralikult. Kasutusjuhendit ja kaasasolevaid dokumente tuleb hoida seadme läheduses.

Sissejuhatus

Sulakeevitusprotsessi kāigus sulatatakse tōōdeldava detailli materjal kuumuse mōjūl. Elektrilise kaarkeevituse puhul kasutatakse ka keevitusmaterjali (elektroode). Keevis tekib tahkumise jārel. Nōutav kuumus saavutatakse elektroodi ja tōōdeldava pinna vahel elektrikaare hoidmisega. Keevitusprotsess nōuab tugevat elektrivoolu (55–160 A) ja seejuures suhteliselt madalat pinget (10–48 V). Keevitusseadmes olev trafo tagab vooluvōrgu pinge (400 V) alandamise.

Seade ei sobi ārikasutuseks!

1. Masina ūlevaade
2. Ohutusjuhend
3. Tarvikute paigaldamine
4. Kasutamine
5. Hooldus ja korrashoid

1. MASINA ŪLEVADE

Tehnilised andmed

Pinge	230 / 400 V ~
Sagedus	50 Hz
Keevitusvōimsus	55 / 140 A (230 V) / 160 A (400 V)
Koormusvaba pinge	48 V / 230 V
Vōimsustegur	0,62
Elektroodide diameeter	2–4 mm
Kaal	22,1 kg
Mōōtmed	56 x 32,5 x 40 cm
Soojuskaitse	105 °C (±5 °C)
Toitejuhe	H07RN-F 3 × 1,5 mm ² 2 m
Keevituskaabel	H01N2-D 1 × 16 mm ² 2 m

Paki sisu

1. Keevitusseade
1. Keevitusmask
1. Traathari / rābuhaamer

1. Kasutamisyjuhend
1. Ohutusjuhised
1. Garantiikaart

Kontrolli, kas masinal, lahtistel osadel ja tarvikutel ei esine transpordivigastusi.

Toote kirjeldus

Joon.1 & Joon.2

1. Temperatuuri märgutuli
2. Toitelüliti
3. Pööratav nupp voolutugevuse reguleerimiseks
4. Keevituskaabel koos elektroodi hoidikuga
5. Kinnitusega maanduskaabel
6. Kummist kork
7. Käepide
8. Ventilatsioonivad
9. Traathari / räbuhaamer
10. Keevitusmask
11. Elektroodid

Tabel: seaded ja kasutus

Elektroodi Ø (mm)	Voolutugevus (A)	Sobib näiteks järgmiseks:
2	50–75	Materjali paksus 2–3 mm Seinatoi parandamine
2,5	70–100	Materjali paksus 4–5 mm Aiatara, aiapärguasjad
3,2	95–150	Materjali paksus 6–7 mm Auto varjualune, garaaž
4	130–160	Materjali paksus 8–12 mm Ehitus (raske)

2. OHUTUSJUHEND



Hoiatus! Lugege kasutusjuhendit.

Sümbolite seletus



Kehavigastuse, surmasaamise või tööriista kahjustamise oht, kui ei järgita käesolevas kasutusjuhendis toodud juhiseid.



Elektrilise šoki risk.



Eemaldage seade vooluvõrgust, kui toitejuhe saab kahjustada või kui puhastate ja hooldate seadet.



Hoidke kõrvalised isikud eemal.



Vihma korral mitte kasutada.



Kasutage kuulmis- ja nägemiskaitseid.



Kandke kaitsekindaid.



Kasutage keevitamise ajal alati keevitusmaski.



Kandke kaitsekindaid.

EN60974-6 Keevitusseadmete standard metallide käsitsi kaarkeevitamiseks piiratud koormatavuse tingimustes.

EMC liigitus, mis vastab standardile IEC 60974-10.



Elektroodi hoidik.



Maandusklemm.



Pinge alanemine.



Ühefaasiline trafo.



Vooluahel, faas 1 või 3 ~50 Hz.



Elektroodi diameeter



Kaitse 16 A.



Maksimaalne I1 maks. primaarvoolu tugevus amprites.



Sekundaarvoolu tugevus amprites.

●●● *Maksimaalne keevitusaeg
vahelduvvoolurežiimis.*

— *Maksimaalne keevitusaeg
alalisvoolurežiimis.*

IP21S *Kaitseklass. Kaitse kuni 12 mm objektide
ja vertikaalselt langevate veepiiskade eest.
Seiskamis- ja veekontrollifunktsioon.*

H *Isolatsiooniklass.*

U₀ *Nominaalne koormusvaba pinge.*

U₁ *Nominaalne toitepinge.*

U₂ *Tavapärase koormuspinge väärtused.*

I_{eff} *Maksimaalne efektiivvool.*

Keevitusseadmete üldised ohutusjuhised

- Seadme kasutaja peab olema saanud seadme kasutamise ja sellega töötamise juhised.
- Tagage töökeskkonna hea valgustus ja puhtus.
- Enne seadme hooldustöödega alustamist eemaldage kindlasti pistik pistikupesast.
- Enne seadme juurest lahkumist eemaldage pistik pistikupesast.
- Ärge kasutage seadet enne, kui olete selle juhendi järgi täielikult kokku monteerinud ja paigaldanud.

Keevitusseadmete ohutuse erijuhised

- Keevitamise käigus tekib sädemeid ja metall kuumeneb. Pidage meeles, et sellega kaasneb tulekahju oht, ning eemaldage töökeskkonnast kõik süttida võivad esemed.
- Tagage töökeskkonnas hea õhuvahetus. Keevitamise käigus erituvad teie tervisele ohtlikud gaasid.
- Ärge keevitage mahuteid ega torusid, mis sisaldavad või on sisaldanud tuleohtlikke vedelikke või gaase (tulekahju- või plahvatusoht).
- Ärge keevitage materjale, mida on puhastatud väga tuleohtlike vedelikega või millel on värvitud pinnad (ohtlike gaaside eritumise võimalus).
- Ärge töötage niiskes või märjas keskkonnas ja ärge keevitage vihma käes.
- Kaitske alati oma silmi, kandes kompleksis olevat keevitusmaski.
- Kandke kindaid ja kaitserõivaid, mis on kuivad ega ole koos õli või mustusega.
- Eemaldatav räbu võib mõnikord hõõguda ja

põletavalt kuum olla ning selle eemaldamise käigus võib saada tõsiseid silmavigastusi. Kandke alati kaitseprille ja -kindaid.

- Ultraviolettkiirgus võib keevitamise ajal nahka põletada. Seega kandke alati sobivaid kaitserõivaid.
- Teie keevitusseadmel on ülekoormuse vastane kaitse. Ülekoormuse korral lülitub keevitusseade automaatselt välja. Kui keevitusseade on piisavalt maha jahtunud, lülitub see automaatselt uuesti sisse.
- Keevitamise ja jahtumise käigus võib töödeldav detail pinge avaldumise tõttu deformeeruda. Võtke seda alati arvesse.
- Kasutada võib ainult tarnitud kompleksis olevaid keevituskaableid (Ø 10 mm² kummeeritud keevituskaabel).
- Tule- või plahvatusohtlikes piirkondades tuleb järgida erieeskirju.
- Keevisõmbulsi, mis peavad taluma suurt pinget ja vastama kindlatele ohutusnõuetele, võivad teha vaid eriväljaõppe saanud sertifitseeritud keevitajad. Mõned näited: surveanumad, liugjuhikud, haakeseadmed.
- Oluline. Ühendage maandusklemm keevituspunktile võimalikult lähedale, et keevitusvoolu teekond elektroodist maandusklemmi oleks võimalikult lühike. Ärge ühendage maandusklemmi keevitusseadme korpusega! Ärge ühendage maandusklemmi töödeldavast pinnast kaugemale jäävate maandatud komponentidega (näiteks ruumi teises nurgas oleva veetoruga). Vastasel juhul võib keevitustöö toimumise ruumi kaitsejuhtide süsteem kahjustada saada.
- Toitekaablite ja pistikupesade kaitsmesüsteem peab vastama kehtivatele eeskirjadele (VDE 0100). Kaitsekontaktiga pistikupesade puhul võib kasutada maksimaalselt 16 A kaitsmeid (tüübid ja tehnilised andmed): RT14–20, Ø 10 x 38, AC 400 V, 16 A. IEC 60269. aeglane. Tootja: Chint) (kaitsmed või liinikaitselülitid). Kõrgema amperaaziga kaitsmete korral võivad kaablid põlema süttida ja hoone tulekahjus kannatada saada.

Elektriõhus



Kohe lülitage masin, kui:

- Rikke toitepistik, voolujuhe elektrivõrgust või voolujuhe elektrivõrgust kahju.
- Rikkis lüliti.
- Suitsetamine või hais kõrbunud isolatsioonis.



Hoiatus! Sõltuvalt vooluvõrgu ühenduspunkti seisukorrast võib keevitusseadme toiteallikas häirida teiste elektritarbijate elektritoite tagamist. Kui teil on selles küsimuses kahtlusi, pöörduge nõu saamiseks elektrivarustusasutuse poole.

- Veenduge, et keevitusseade ja elektrijuhtmetistik on õigesti ühendatud. Elektrilöögi võimalus seab elu ohtu.
- Tagage alati head ühendused, nii elektroodihoidiku kui ka maandusklemmi puhul.
- Ärge lubage elektri kaablite kahjustamist tirimise läbi. Enne keevitusseadme teisaldamist ühendage kaablid lahti.
- Vältige kokkupuudet keevitusseadme elektrit juhtiva osa, elektroodihoidiku ja maandusklemmiga.
- Alati kontrollige, et toiteallika pinge vastaks pingele plaadil.
- Kaablite ja pistikute vahetamine, koheselt visake vanad kaablid ja pistikud minema, kui nad on asendatud uutega. On ohtlik sisestada lahtise kaabliga pistikut seinu.
- Kõigi keevitusseadmetega, mis töötavad voolupingega 230 V, kasutage vähemalt 16-amprilist kaitset.
- Pikendusjuhtmete kasutamine, kasutage ainult volitatud pikenduskaablit mis sobib masina sisendvõimsusega. Minimaalne elektrijuhi suurus on 1.5 mm². Kasutades kaablrulli, veeretage rull alati täielikult lahti.
- Toitepingega seotud osade (näiteks kaablid, pistikud, pistikupesad) töid võivad teha vaid kvalifitseeritud elektrikud.

3. TARVIKUTE PAIGALDAMINE



Enne osade vahetamist lülitage saag alati välja ning eemaldage toitejuhe vooluvõrgust.

Seadme paigaldamine

- Paigaldage keevitusseade kuiva ja puhtasse ruumi (kus pole rauapulbrit, tolmu ega värvi).
- Paigaldage keevitusseade kindlale ja siledale pinnale ja vähemalt 20 cm kaugusele seinast.
- Kaitske keevitusseadet vihma ja tugeva päikesevalguse eest.

Keevitusmask

Joonis 2

- Pange keevitusmask kokku, kinnitades käepideme komplektis olevate kruvidega.
- Asetage hele klaas (kaitseklaas) tumeda keevitusklaasi ette. Pange klaasid aknasse ja lukustage need.
- Veenduge, et klaasid on asetatud nii, et (kahjulikkude) valgust ei pääse kuskilt läbi.
- Kui töödeldava detaili nähtavus muutub keevitamise käigus ebapiisavaks, asendage hele kaitseklaas. Tumeda kaitseklaasi asendamine on oluliselt kulukam kui heleda kaitseklaasi asendamine.

Uute elektroodide paigaldamine

Elektrood koosneb metallist südamikust, mida ümbritseb kate. Elektroodi ühes otsas on südamiki katteta.

- Vajutage elektroodi hoidiku käepidet vastu vedru.
- Pange elektroodi katmata ots (± 2 cm) elektroodi hoidiku vahele. Veenduge, et katmata osa on elektroodi hoidiku metallosaga hästi kontaktis (elektroodi ei tohi suruda elektroodi hoidikus liiga kaugemale).
- Vabastage haaratsi käepide Elektrood on nüüd kinnitatud.



NB! Ärge laske elektroodil põleda lühemaks kui ± 5 cm, kuna see võib põhjustada elektroodi hoidiku ülekuumenemist ja/või deformeerumist. Ärapõlenud elektroodi on keeruline eemaldada.

Kasutatud elektroodide eemaldamine

Suruge elektroodi hoidiku haar vastu vedru, et ärapõlenud elektrood saaks selle vahelt ära kukkuda.



NB! Ärge eemaldage elektroodi hoidikust käsitsi. Elektrood on väga kuum!



NB! Jälgige, kuhu elektroodi jäägid langevad, et hoida ära tuleoht ja võimalikud vigastused.



Hoiatus: Enne seadmega töötamist ja selle hooldamist lugege kasutus- ja hooldusjuhendit.

Paigaldamine

Joonis 4

Lüliti (2) on algselt väljalülitatud asendis (OFF). Seadmel on kaks pistikut, seda saab kasutada toitepingega 230 V ja 400 V.

- VDE-pistikuga võib seda kasutada vaid toitepinge 230 V asendis. Kui soovite keevitusseadet kasutada 230 V pingega, ühendage VDE-pistik 230 V vooluvõrku ja pöörake lüliti (2) väljalülitatud asendist (OFF) 230 V asendisse.
- Viie tihvtiga tööstuspistikuga tohib seda kasutada ainult pingega 400 V. Ühendage tööstuspistik 400 V vooluvõrku ja pöörake lüliti (2) väljalülitatud asendist (OFF) 400 V asendisse.

Tule-, elektrilöögi- ja kehavigastuste ohu vältimiseks järgige kindlasti järgnevat juhised.

1. Enne keevitusseadme kasutamist veenduge, et seadme nimipinge vastab toiteallika nimipingele.
2. Enne nimipinge seadistamist lahutage seade vooluvõrgust.
3. Nimipinge reguleerimine keevitusseadme kasutamise ajal on keelatud.

4. KASUTAMINE

Enne kasutamist

- a. Üldteave elektrilise kaarkeevitamise kohta
- b. Elektroofid
- c. Kaitserõivad
- d. Näokaitse
- e. Töökeskkond

a. Üldteave elektrilise kaarkeevitamise kohta

Kaare temperatuur on ligikaudu 7000 °C, nii et elektroodi ots ja töödeldava detail sulavad. Kuni kaar püsib, elektroofid sulab ja tagab osade ühendamiseks vajaliku keevitusmaterjali. Vahemaa elektroodi ja töödeldava pinna vahel peab olema võimalikult väike (ligikaudu 1,5–4 mm), sõltuvalt elektroodi tüübist ja diameetrist. Keevitamiseks vajaliku voolu tagab keevitusseade. See, kui palju toidetakse keevitusseade vajab, sõltub tehtavast tööst. Veenduge, et elektroofid on täiesti kuivad, kuna niisked elektroofid põhjustavad probleeme. Kui elektroofid kleepub keevitamise ajal töödeldava pinna külge, on voolutugevus seadistatud liiga madalaks.

b. Elektroofid

- Elektroofid koosneb metallist südamikust, mida ümbritseb kate. Katte kõige olulisem otstarve on keevitusvanni ja ülekanduvate piiskade kaitsmine ümbritseva õhu hapniku ja lämmastiku eest. Keevitamise käigus elektroofid sulab. Osa kattedest aurustub ja nii tekib gaasiline kaitsekilp. Osa kattedest jääb keevitusvanni kohale hõljuma (see on terasest kergem) ja kaitseb ka jahtuvat keevist. Pärast mahajahtumist muutub see kate keevisõmbeluse tahkaks räbuks, mille saab hõlpsasti eemaldada.
- Käsitsege elektroofe ettevaatlikult, et nende kate ei puruneks. Tagage, et elektroofid on täiesti kuivad, hoides neid niiskussvabas kohas.
- Hea ja tugeva keevisõmbeluse saamiseks on väga oluline kasutada õiget elektroofi. Paljudel juhtudel sobib tööks universaalne elektroof. Elektroofi pakendil on öeldud, millistes keevitusasendites vastavat elektroofi kasutada võib (näiteks pea kohal või allasuunas, võttes arvesse elektroofi sulamise kiirust). Eri tüüpi roostevaba terase ja malmi keevitamiseks on saadaval eraldi elektroofid. Õige elektroofi ostmiseks pidage nõu oma edasimüüjaga.

c. Kaitserõivad

Selleks et minimeerida ultraviolettkiirgusest või metallipritsmetest põhjustatavate nahapõletuste võimalust, kandke keha täielikult katvaid rõivaid. Soovitav on kanda puuvillasest riidest tunkesid, keevituskindaid ja kaitsejalatseid. Tagage, et keevituspritsmed ei satu kinnastesse ega jalatsitesse. Keevituspõll (nahast) ei lase leekidel ja sädemetel tunkesid kahjustada.

d. Näokaitse

Joonis 2

Kasutage head keevitusmaski, millel on (tume) keevitusklaas ja kaitseklaas. Kontrollige, kas klaasid on korralikult paigas (tugevasti kinnitatud ega võimalda päikesevalgusel sisse pääseda). Keevituskaitse mask kaitseb keevitajat keevitusprotsessis kiirguse, kuumuse ja keevituspritsmete eest. See vähendab ka keevitusaurude sissehingamist. Nähtamatud ultraviolettkiired põhjustavad keevitaja silmade punetust. See tekib juba siis, kui vaadata keevituskaart kasvõi paar sekundit. Ärge laske sellisel kiirgusel ja õhgetel temperatuuridel näole ja muudele ohustatud kehaosadele (nagu näiteks kael ja käed) mõju avaldada. Kaitse

end elektriikaare ohtlike mõjude eest ja hoidke kõrvalised isikud keevituskaarest vähemalt 15 m kaugusel. Elektriikaare läheduses viibivaid abitöid tegevaid inimesi tuleb ohtudest teavitada ja neile tuleb tagada nõutav kaitsevarustus. Kui see on nõutav, paigaldage kaitseseinad.

e. Töökeskkond

- Tagage töökeskkonnas hea õhuvahetus. Keevitamise käigus erituvad teie tervisele ohtlikud gaasid.
- Eemaldage töökeskkonnast kõik süttida võivad esemed. Keevitamise käigus tekib sädemeid ja metall kuumeneb.
- Tagage, et töökoha läheduses on jahutusvesi. Ärge jätke äsja keevitatud (kuumi) detaile järelevalveta. Ärge lahkuge töökohast enne, kui töödeldud detail on maha jahtunud.

Kiirguse- ja põletusevastane kaitse

- Töökohas peab olema silmade kahjustamise ohust teavitav märk tekstiga „Ettevaatust! Ärge vaadake leekide suunas!” Tööjaamad peavad olema võimalikult suures ulatuses kaitseseinadega eraldatud, nii et töökoha läheduses viibivad töötajad oleksid kaitstud. Hoidke kõrvalised (volitamata) isikud keevitustöökohast eemal.
- Paiksete tööjaamade vahetusse lähedusse jäävad seinad ei tohi olla eredates värvides ega läikivad. Kiirguse peegeldumise või läbipääsu takistamiseks peavad aknad olema vähemalt silmade kõrguseni kaetud sobiva värviga.

Kasutuselevõtt

Joonis 3

Nõuane: enne raskesti töödeldavate detailide keevitamist tasub keevitamist katsetada proovidetailidega.

- Tagage töödeldava detaili puhtus: eemaldage rooste, määrded ja värvi jäägid.
- Seadistage vajalik voolutugevus keevitusseadme esiküljel oleva nupu abil. Voolutugevuse valik sõltub töödeldavast materjalist ja kasutatavast elektroodist.
- Pange elektroodi katteta osa elektroodi hoidikusse ja ühendage maandusklemm töödeldava pinnaga.
- Lülitage keevitusseade pealüliti abil sisse.
- Hoidke keevitusmaski näo ees ja liigutage elektroodi otsa üle töödeldava detaili, nagu tõmbaksite tikku põlema. See on parim viis keevituskaare tekitamiseks. Ärge lööge

elektroodiga vastu töödeldavat detaili. See kahjustab elektroodi ja takistab keevituskaare teket.

- Kui keevituskaar on loodud, püüdke kohe algusest peale hoida elektroodi otsa ja töödeldava detaili vaheline kaugus püsivana. Hoidke elektroodi diameetri pikkusega võrdset vahemaad. Hoidke vahemaad keevitamise ajal võimalikult püsivana.
- Liigutage elektroodi töödeldava detaili kohal, seda järk-järgult edasi tõmmates.
- Hoidke elektroodi ja töödeldava detaili vahel 60° ja 70° nurka liikumise suunas.
- Kui keevisõmblus on valmis, murdke keevituskaar, eemaldades elektroodi töödeldavalt detaililt.
- Lülitage keevitusseade välja.



NB! Kui jätate keevitusseadme sisselülitatuks, loob elektrood suure tõenäosusega (läbi tööpingi) kontakti maanduskaabliga ja hakkab keevitama.

- Eemaldage keevisõmbluselt räbuhaamriga räbu.



Olge ettevaatlik lendavate kuumade metalliosakeste suhtes. Kandke alati kaitseprille.

- Ärge keevitage räbu jääkide kohal, kuna räbu moodustab isoleeriva ja saastunud kihi, mis nõrgestab keevist.
- Pühkige keevisõmblus traatharjaga puhtaks.



NB! Töödeldava pinna temperatuur on endiselt väga kõrge. Ärge jätke töödeldud kuumat detaili järelevalveta.

Temperatuuri märgutuli

Joonis 1

Kui keevitusseadme temperatuur läheb liiga kõrgeks, lülitub sisseehitatud termostaat välja (märgutuli hakkab põlema). Sisseehitatud ventilaator jahutab seadme maha. Pärast jahutamist lamp kustub. Soovitatav on anda seadmele piisavalt aega jahtumiseks. Intensiivse keevituse puhul on suur tõenäosus, et temperatuuri tõttu lülitub süsteem uuesti paari minuti pärast välja.

5. HOOLDUS JA KORRASHOID



Enne puhastamist ja hooldamist lülitage masin alati välja ning eemaldage toitejuhe vooluvõrgust.

See masin on mõeldud pikaks aja töötamiseks minimaalse hooldusega. Masina pidev rahuldust andev töö sõltub korralikust masinahooldusest ja regulaarsest hooldusest.

Rikkeotsing

Juhul kui lihvimismasin ei tööta hästi, pakume teile mõned võimalikud põhjused ja lahendused:

Keevitusseade ei tööta.

- Maandusklemmil pole töödeldava detailiga head kontakti.
- Elektrood pole hoidikusse korralikult kinnitatud.
- Termostaat on välja lülitatud või soojuskaitse katki.
- Kaitsmed on defektiga (möödikukarbis).
- Kaabel on katki.
- Lüliti on defektiga / võtke ühendust edasimüüjaga.

Elektrood kleepub pidevalt töödeldava detaili külge.

- Kasutage õiget tüüpi elektroodi (universaalne);
- Voolutugevus on liiga madal / keerake nuppu 3 päripäeva.

Elektrood on oranžikas punane.

- Voolutugevus on seda tüüpi elektroodi jaoks liiga kõrge / keerake nuppu 3 vastupäeva.

Elektroodist tuleb liiga palju pritsmeid ja see tekitab keevitamise ajal palju müra.

- Voolutugevus on liige kõrge / keerake nuppu 3 vastupäeva.

Seade on liiga kuum; märgutuli põleb.

- Ventilatsioonivad on ummistunud, puhastage need kuiva lapiga. Oodake mõni minut, kuni lamp kustub.



Parandus- ja hooldustöid võib teha ainult kvalifitseeritud tehnik või teenusepakkuja.

Puhastamine

- Hoidke ventilatsioonivad puhtad tolmust ja mustusest. Kui mustus ei tule maha, kasutage puhast lappi, mis on niisutatud seebiveega. Ärge kunagi kasutage lahusteid (bensiin, alkohol, nuuskpiiritus jne).
- Hea elektrikontakti säilitamiseks tagage, et elektrodihoidik ja maandusklemm ei lähe rooste.
- Kontrollige regulaarselt, kas keevitusseadme ja töödeldava pinna kaablid on oma ühenduskohta tugevalt kinnitatud.

Määrimine

Seade ei vaja mingit lisamäärimist.

Rikked

Rikke korral, nt kui mingi seadme osa on kulunud, pöörake hooldusfirma poole, mis on toodud garantiilehel. Selle juhendi tagaküljel on lahtivõetuna kujutatud osad, mida on võimalik tellida.

KESKKOND

Selleks, et vältida seadme kahjustamist transportimisel, on see tarnimisel kõvas pakendis, mis on valmistatud eelkõige ümbertöödeldavast materjalist. Seetõttu andke pakend taaskasutusse.



Vigane või kasutuselt kõrvaldatud elektrivõi elektroonikaseade tuleb anda likvideerimiseks üle volitatud firmale.

Euroopa Ühenduse riigid

Ärge visake elektritööriistu olmeprügi hulka. Vastavalt Euroopa Parlamendi ja nõukogu direktiivile 2012/19/EU elektri- ja elektroonikaseadmete jäätmete kohta ning vastavalt seda direktiivi rakendavatele riiklikele õigusaktidele tuleb kasutuskõlbmatud elektritööriistad koguda teistest jäätmetest eraldi ning kõrvaldada kasutusest keskkonnasõbralikul viisil.

GARANTII

Garantiitingimused on toodud eraldi lisatud garantiilehel.

ЕЛЕКТРОЖЕН 55 - 160A

Цифрите, посочените в текста по-долу, се отнасят за илюстрациите на стр. 2+109.



Преди да пристъпите към работа с инструмента, внимателно прочетете настоящото ръководство. Убедете се, че знаете как работи инструмента и как да го ползвате. Обслужвайте инструмента според настоящото ръководство и обезпечете правилното му функциониране. Пазете настоящият документ и другите съпровождащи документи заедно с инструмента.

Увод

Процесът на заваряване чрез стопяване се използва за стопяване на обработвания материал под въздействието на подаванонажежаване. Електро- дъговото заваряване също така се извършва с помощта на материал за заваряване (електроди). Следзастиване, заваряването се счита за завършено. Необходимото нажежаване се постига с поддържане на електрическа дъга между електрода и обработвания материал. Процесът на заваряване изисква голяма силана тока (55-160 A) и относително ниско напрежение (10-48 В). Трансформаторът в заваръчния апарат осигурява понижаване на основното напрежение (400 В).

Уредът не е предназначен за професионално използване!

Съдържание

1. Детайли на уреда
2. Изисквания за техника на безопасност
3. Сглобяване
4. Експлоатация
5. Техническо обслужване и поддръжка

1. ДЕТАЙЛИ НА УРЕДА

Технически характеристики

Напрежение	230 / 400 V ~
Честота	50 Hz
Заваръчен ток	55 / 140 A (230 V) / 160 A (400 V)

Напрежение на запалване	48 V / 230 V
Фактор на мощността	0.62
Диаметър на електродите	2 - 4 mm
Тегло	22.1 kg
Размери	56 x 32.5 x 40 cm
Топлинна защита	105 °C (±5 °C)
Кабел за мрежата	H07RN-F 3x1.5mm2 2m
Заваръчен кабел	H01N2-D 1x16mm2 2m

Съдържание на опаковката

- 1 Заваръчен апарат
- 1 Маска за заваряване
- 1 Метална почистваща четка/чукче за сваляне на шлага
- 1 Ръководство за потребителя
- 1 Инструкция за безопасност
- 1 Гаранционна карта

проверете комплекса за повреди и дали е напълно комплектуван.

Наименование на компонентите

Фигура 1 & Фигура 2

1. Лампа на индикатора на температурата
2. Ключ вкл/изкл
3. Ръчка за настройване на силата на тока
4. Заваръчен кабел с държател за електрода
5. Кабел за заземяване със закрепване
6. Гумен накрайник
7. Ръкохватка
8. Вентилационни отвори
9. Метална почистваща четка/чукче за сваляне на шлага
10. Маска за заваряване
11. Електроди

Таблица: настройване и приложение

Ø на електрода (мм)	Ток (A)	Препоръчително напрежение за:
2	50-75	Дебелина на материала 2-3 mm Ремонт на стенен стелаж
2.5	70-100	Дебелина на материала 4 -Г5р админтмска ограда, предмети в градината
3.2	95-150	Дебелина на материала 6-7 mm Навес за колата, гараж

130-160 Дебелина на материала 8-12 mm
Конструкция (тежка)


Класификация на EMC в съответствие с IEC 60974-10

 Държател на електрода

 Заземяваща клемма

 Падащо напрежение

 Еднофазен трансформатор


 Захранваща верига, брой на фазите например 1 или 3 например 50 Hz)


 Диаметър на електрода

 Смесвайки 16A

I_{1max} Максимален ефективен захранващ ток

I_2 Максимална интензивност на тока във вторичния контур амperi

 Номинално максимално време за заваряване в прекъсващ режим

 Номинално максимално време за заваряване в непрекъсващ режим

IP21S Клас електрическа защита. Защита от допир на чужд предмет с размер до 12 mm и от перпендикулярно падаща вода. Блокиране при проникване на вода. Клас на изолация

H изолационен клас

U⁰ Напрежение при празен режим, волта

U¹ Напрежение на мрежата, волта
изолационен клас



U² Стойности на конвенционалното

I_{1eff} Максимален ефективен захранващ ток


Допълнителни мерки за безопасност при заваръчните апарати


- Ползвателя на уреда трябва да е инструктиран как да използва и управлява


2. ИЗИСКВАНИЯ ЗА ТЕХНИКА НА БЕЗОПАСНОСТ


  **Внимание! Прочетете инструкцията за експлоатация.**

В настоящото ръководство на потребителя се ползват следните символи


 Опасност от травми за хората, за живота на хората и повреждане на инструмента в случай на неспазване инструкциите на настоящото ръководство

 Опасност от поражение от електрическия ток.


 При повреда на кабела незабавно изключете щепсела от контакта; изключвайте щепсела и при поправка на уреда. Наблизо не трябва да се намират.

 Наблизо не трябва да се намират други хора.

 Да се предпазва от дъжд

 Ползвайте средства за защита на слуха и зрението

 Използвайте защитни ръкавици

 При заваряване винаги използвайте маска за заваряване

 Използвайте защитни дрехи

EN60974-6 ръчно електро-дъгово заваряв. Стандарт за заваръчни апарати заане с ограничена мощност.

уреда.

- Осигурете добро осветено и чисто помещение
- Преди да извършите техническо обслужване, винаги изключвайте уреда от контакта
- Преди да се отдалечите от уреда, изключете електрозахранването с ключа и извадете вилката от контакта.
- Не използвайте уреда, ако не е напълно сглобен и монтиран, както е посочено в ръководството

Специални инструкции за безопасност за заваръчни апарати

- Риск от електрически удар: електрическият удар от заваръчния електрод може да причини смърт. Не заварявайте по време на дъжд или сняг. Носете сухи изолиращи ръкавици. Не докосвайте електродите с голи ръце. Не носете мокри или повредени ръкавици. Пазете се от електрически уред като се изолирате от детайла. Не отваряйте корпуса на оборудването.
- Риск, предизвикан от пушека при заваряване: вдишването на пушека, генериран при заваряване, може да е опасен за вашето здраве. Пазете главата си далече от пушека. Използвайте оборудването на открити пространства. Използвайте вентилация за отвеждане на пушека.
- Риск, предизвикан от пръските при заваряване: пръските при заваряване могат да предизвикат експлозия или пожар. Съхранявайте запалимите материали далече от зоната на заваряване. Не заварявайте в близост до запалими материали. Пръските при заваряване могат да предизвикат пожари. Осигурете наличие на пожарогасител в близост, както и надзорник, който е готов да го използва. Не заварявайте резервоари или затворени контейнери.
- Риск, предизвикан от електрическата дъга: искрите от електрическата дъга могат да изгорят очите и да наранят кожата. Носете каска и предпазни очила. Използвайте защита за слуха и риза с яка с копчета. Използвайте заваръчна маска с подходящ цвят филтър. Носете цялостна защита за тялото.
- Риск, предизвикан от електромагнитни полета: заваръчният ток създава

електромагнитно поле. Не използвайте, ако имате медицински импланти. Никога не увивайте заваръчните кабели около тялото си. Прокарвайте заваръчните кабели заедно.

- Заваряването се съпровожда от искри и отделяне на горещ метал. Помнете, че заваряването е огнеопасно, затова релси, теглещи устройства и др.
- Внимание: Винаги свързвайте заземяващата клемма колкото се може по-близо до местото на заваряване, за да може заваръчния ток от електрода към заземяващата клемма да изминава максимално кратък път. Никога на свързвайте заземяващата клемма към заваръчното устройство! Никога не включвайте заземяващата клемма към заземени части, които се намират далеч от заварявания детайл, например водопроводни тръби в другия край на помещението. Това може да предизвика повреда на системата на защитния кабел в мястото на извършване на заваряването.
- Защитата на включване в контакта трябва да съответства на нормите (VDE0100). Контактите със защита трябва да са защитени с предпазители максимално до 16 A (типове и технически параметри: RT14-20, Ø 10 x 38, AC 400 V 16A. IEC60269, бавна реакция. Производител: Chint) (предпазители или защитни автомати). Предпазители с високи характеристики в ампери могат да доведат до прегаряне на кабели или повреда на зданието поради пожар.

Електрическа безопасност



Незабавно изключете уреда, ако:

- Има дефект в захранващия кабел, мрежовия штепсел, или повреден кабел
- Превключвателят е неизправен
- Има дим или се усеща мирис на изгорял изолационен материал



Предупреждение! В зависимост от състоянието на захранващата мрежа в мястото за включване, заваръчния източник на захранване може да предизвика смущения в захранването на други потребители на електроенергия. Ако има съмнения за

това, обърнете се за консултация към електрозахранващото предприятие

- Проверете, дали заваръчния апарат и захранващите кабели за разположени надлежно. Всяка вероятност за удар на електрически разряд може да е опасна за живота.
- Винаги проверявайте качеството на кабелите, на държателя на електрода и на клемата за заземяването.
- Проверявайте да не се повредят електрическите кабели от прекалено дърпане. Изключвайте кабелите при пренасяне на заваръчния апарат.
- Избягвайте да влизате в контакт с частите на заваръчния апарат, държателя на електрода и заземяващата клемма, по които минава електричество.
- Винаги проверявайте дали напрежението в мрежата съответства на посоченото на информационната табелка на уреда.
- Смяна на кабели или предпазители: Изхвърляйте старите кабели или предпазители веднага след като ги смените с нови. Слагането на бракуван предпазител в гнездото за предпазители е опасно.
- За всички заваръчни апарати, работещи с 230 Волта, използвайте разтопяване минимум 16 Ампера
- Когато използвате удължител: Използвайте само утвърдени удължители, подходящи за мощността на машината. Основната част трябва да е с диаметър минимум 1,5 mm². Напълно освободете кабела, ако използвате удължаваща макарка.
- Дейности с частите на захранването: кабели, розетки, вилки и др. такива трябва да се извършват от квалифицирани специалисти – електричари.

3. СГЛОБЯВАНЕ



Първо изключете щепсела на захранващия кабел от контакта.

Монтаж на уреда

- Поставете заваръчния апарат на сухо и чисто място (без железни стружки, прах и бои)
- Разположете заваръчния апарат на твърда плоска повърхност на не по-малко от 20см от стената

- Защитете заваръчния апарат от дъжд и преки слънчеви лъчи

Маска за заваряване

Фиг. 2

- Спуснете ръчката на маската за заваряване докато не щракне.
- Поставете защитното стъкло с лицевата част в тъмното заваръчно стъкло. Сложете двете стъкла в предната част на отвора.
- Проверете, дали стъклата са разположени така, че вредното излъчване да не минава през отвори.
- Сменете защитното стъкло, ако видимостта на обработвания материал при заваряване е слаба в процеса на работа. Смяната на тъмното заваръчно стъкло е много по-скъпа, за това сменете стъклото, което предпазва от светлината.

Поставяне на нови електроди

Електродът се състои от метална основа върху която е нанесено покритие. От единия край на електрода върху основата няма нанесено покритие.

- Натиснете клемата на държателя на електрода срещу пружината
- Сложете електрода с оголения край ($\pm 2\text{cm}$) в държателя на електроди. Проверете дали е добър контакта на оголената част на електрода с металната част на държателя (не вкарвайте електрода много надълбоко в държателя)
- Отпуснете хващащата ръчка. Електродът е фиксиран.



Внимание! Не позволявайте електрода да изгори и да стане по-къс от $\pm 5\text{cm}$ поради опасност от прегаряване или деформация на държателя на електрода. Освен това така ще ви е трудно да извадите изгорелия електрод.

Изваждане на използваните електроди

Натиснете клемата на държателя на електрода срещу пружината, така че изгорелия електрод да изпадне от държателя.



Внимание! Не водете електрода от държателя с ръце. Електродът е много нагрят!



Внимание! Внимавайте къде извърляте използвания електрод, за да предотвратите възникването на пожар или травма.

ИНСТАЛАЦИЯ

Фиг. 4

Началното положение на превключвателя (2) е настроено на "OFF". Машината има 2 щекера, може да се използва при 230V или 400 V волтаж.

- С VDE щепсела може да се използва само в 230V положение. За да работите със заварчика при напрежение 230V, свържете щепсела VDE с 230V захранване, след което завъртете ключа (2) от положение "OFF" на положение 230V.
- С 5-изводния индустриален щепсел може да се използва само при 400V. Свържете индустриалния щепсел с електрозахранване 400V, след това завъртете ключа (2) от "OFF" на 400V позициониране.

Моля, имайте предвид следното, за да избегнете опасността от пожар, токов удар или нараняване на хора:

- 1 Уверете се, че преди да работите със заварчика че номиналното напрежение на уреда съответства на това на източника на захранване.
- 2 Моля, изключете устройството от захранването преди да зададете номиналното напрежение.
- 3 Регулирането на номиналното напрежение по време на работа с оксигена е забранено.

4. ЕКСПЛОАТАЦИ

Преди започване на работа:

- а. Обща информация за дъговото електрическо заваряване
- б. Електрод
- в. Предпазно облекло
- г. Защита на лицето
- д. Работно помещение

а. Обща информация за дъговото електрическо заваряване

Температурата на дъгата е приблизително 7 000 С и именно за това края на електрода и обработвания материал се разтопяват. Докато се поддържа температурата на дъгата,

електродът ще се топи и ще предоставя материал за заваряване за нужното свързване на частите. Разстоянието между електродите и обработвания материал трябва да е максимално малко (например 1,5-4 mm) в зависимост от диаметъра и тип на електрода. Необходимият за заваряването ток се доставя от заваръчния апарат. Силата, която е нужна за заваръчния апарат зависи от поставената задача. Проверете, дали електродите са напълно сухи, тъй като влажните електроди създават проблеми. Ако електродът прилепва по време на работа, значи избраната сила на тока е прекалено малка.

б. Електрод

- Електродът се състои от метална основа, върху която е нанесено покритие. Покритието има най-голямо значение за защита на областта на заваряване и преобразуване на капките кислород и азот в околната среда.
- Електродът изгаря в процеса на заваряването. Част от покритието се изпарява, като по този начин се образува защитен газообразен щит.
- Част от покритието остава на повърхността в областта на заваряването (то е по-леко от стоманата) и защитава изстиващия заваръчен шев. След охлаждането, покритието става твърдо и лесно се отстранява от завареното място.
- Внимателно работете с електродите за да не нараните покритието. Проверете дали електродите са напълно сухи, и ги съхранявайте в защитено от влага място.
- Много е важно да използвате подходящ електрод, за да създадете добър и издръжлив заваръчен шев. Универсалният електрод в повечето случаи е подходящ за вашата работа.
- На опаковките на електродите е посочено за какво и при какви положения могат да се използват дадените електроди (над главата, под вас, и др., скоростта на изгаряне на електрода). Някои електроди са достъпни за закупуване и заваряване на различни типове неръждаема стомана и чугун. Консултирайте се вашия доставчик за подходящите електроди.

с. Предпазно облекло

Използвайте винаги такова предпазно облекло, което свежда до минимум опасността от

изгаряне на кожата от ултравиолетовата радиация или металните пръски.

Препоръчваме ви памучни дрехи, ръкавици за заваряване и защитни обувки. Проверете дали пръските от частниците при заваряване няма да попаднат в ръкавиците или обувките.

Престилката за заваряване (кожена) предпазва от попадане на искри и метално частици и повреждане на дрехите.

d. Защита на Фитицето 2

Използвайте хубава маска за заваряване (тъмно) заваръчно стъкло и защитно стъкло. Проверете дали са монтирани добре двете стъкла (дали са закрепени добре и дали не пропускат слънчеви лъчи). Заваръчната маска предпазва заварчика от радиацията, горещината и заваръчните искри по време на работния процес. Това намалява и количеството на вдишваните изпарения. Невидимите ултравиолетови лъчи предизвикват така наречените "избухвания на заварчика". Това става след гледане в електрическата дъга в продължение на няколко секунди. Избягвайте въздействието на тази радиация и на високите температури върху лицето и другите открити части на тялото. Избягвайте да се наближавате до електрическата дъга. Лицата, които не участват в заваряването трябва да са на разстояние най-малко 15 метра от дъгата. Работници и помощници, работещи непосредствено до електрическата дъга трябва да са запознати с опасностите и да имат необходимите средства за защита. Ако е необходимо поставете защитни екрани.

e. Работно помещение

- Осигурете работно помещение с добро проветряване. Газовете, които се изпаряват при заваряването са опасни за здравето.
- Махнете всички леснозапалими предмети от работното помещение. Заваряването предизвиква искри и пръски от частички горещ метал.
- Проверете да има студена вода близо до работното място. Не оставяйте току що заварения (горещ) обработван материал без надзор на работното си място. Изстудете обработвания материал преди да напуснете работното място.

Използване

Фиг. 3

Съвет: Преди започване на заваряването на сложни за обработване материали е най-добре да изпробвате заваряването на пробен образец.

- Осигурете си чисто работно място: премахнете ръждата, мазнините и остатъците от боя.
- Установете необходимата сила на тока като използвате ръчката на лицевата част на заваръчния апарат. Изборът на силата на тока зависи от обработвания материал и типа на използвания електрод.
- Сложете частта на електрода без покритие в държателя за електродите и свържете заземяващата клемма с обработвания материал.
- Включете заваръчния апарат, използвайки главния ключ.
- Дръжте заваръчната маска пред лицето си и придвижвайте електрода към обработвания материал все едно че запалвате клечка кибрит. Това е най-добрият начин да започнете работа със заваръчна дъга. Не удряйте с електрода по заварявания материал. Това ще повреди електрода и ще затрудни създаването на заваръчна дъга.
- След създаване на заваръчна дъга веднага се постарайте да запазите разстоянието между края на електрода и обработвания материал. Спазването на това разстояние е равно на диаметъра на електрода. Постарайте се да се придържате и да не промените това разстояние по време на заваряването.
- Премествайте електрода постепенно, като го избутвате към обработвания материал, спазвайки ъгъла между електрода и обработвания материал равен на 60° и 70° по посока на движението.
- Когато е направен заваръчният шев, прекъснете заваръчната дъга като махнете електрода от обработвания материал.
- Изключете заваръчния апарат



Забележка. Ако оставяте заваръчния апарат включен, може между електрода и заземяващия кабел да възникне свързване (посредством работното място) и да възникне самопроизволно заваряване.

- Премахнете шлага от заваръчния шев

спомощта на чукче за сваляне на шлак.



Внимание! Хвърчат горещи метални частици. Винаги използвайте защитни очила.

- Никога не заварявайте върху остатъци от шлак: шлакът създава не проводящ и мръсен слой, в резултат на което заваряването е по-слабо (така наречената шлакова добавка). Почиствайте заварката металната четка.



Забележка. Обработвания материал все още е силно нагрят. Не оставяйте горещия обработван материал без надзор.

Лампа на температурния индикатор

Фиг. 1

Когато температурата на заваръчния апарат стане прекалено висока, вградения термостат се изключва (включва се лампата на индикатора). Вграденият вентилатор охлажда машината. След охлаждането лампата отново загасва. Дайте на машината време да изстине, при интензивно заваряване се увеличава вероятността след няколко минути температурния предпазител отново да се включи.

5. ТЕХНИЧЕСКО ОБСЛУЖВАНЕ И ПОДДРЪЖКА



Убедете се, че инструментът не е включен в електрическата мрежа по време на техническото обслужване на механичните детайли.

Този уред е конструиран за продължителна работа при минимални изисквания за обслужване. Постоянната качествена работа зависи от правилната поддръжка, експлоатация на уреда и редовното му почистване.

Неизправности

Ако уредът боти неправилно, прочетете посочените по-долу вероятни причини и начините на отстраняването им.

Заваръчния агрегат не работи

- Лош контакт на заземяващата клема със

заварявания предмет.

- Електродът не е правилно сложен в държателя
- Включила се е топлинната защита
- Изгорял предпазител (на ел. табло), или термичната защита е изгоряла.
- Скъсване на кабела
- При дефект на ключа се обърнете към продавача

Електродът се “залепва” за заварявания предмет

- Използвайте правилен тип електрод (универсален)
- Много малка интензивност на тока завъртете регулатора 3 по посока на часовниковата стрелка

Електродът е оранжево червен на цвят

- Интензивността на тока е много голяма / завъртете регулатора 3 по посока против часовниковата стрелка

Електродът много пръска при заваряването и издава голям шум

- Интензивността на това е много голяма / завъртете регулатора 3 по посока против часовниковата стрелка

Уредът е много горещ, свети индикатора

- Вентилационните отвори са замърсени/ почистете ги със сух плат; почакайте няколко минути докато изгасне индикатора.



Ремонтът и поддръжката трябва да се извършват само от квалифициран техник или оторизиран сервис.

Почистване

- Убедете се, че във вентилационните отвори няма прах или кал. Засъхналата кал премахнете с мек парцал, навлажнен със сапунена вода. Не ползвайте никакви разтворители като керосин, спирт, амониак и т.н.
- Убедете се, че държателя на електродите и заземяващата клема не са повредени от корозия и осигуряват добър електрически контакт.
- Редовно проверявайте дали заваръчния и заземяващия кабел са здраво закрепени към клемите.

Смазване

Уредът не изисква допълнително смазване'

Неизправности

В случай на неизправности, например след износване на някой детайл, се обърнете към някой от пунктовете за обслужване, посочени в гаранционната карта. Детайлното изложение на частите, които можете да поръчате, ще намерите на последната страница на ръководството.

Заобикаляща среда

За да предотвратите повреда по време на транспортiranето, уредът се доставя в твърда опаковка, която се състои предимно от материали за многократна употреба. Затова използвайте опциите за рециклиране на опаковката.



Неизправен и/или бракуван електрически или електронен прибор трябва да се утилизира по подходящ начин.

Само за страните от ЕС

Не изхвърляйте електрически инструменти заедно с домакински отпадъци. Съгласно Европейската директива 2012/19/EU относно излязло от употреба електрическо и електронно оборудване и прилагането ѝ в националните законодателства, неизползваемите електроинструменти следва да се изхвърлят раздельно и по безопасен за околната среда начин.

ГАРАНЦИОННИ УСЛОВИЯ

За запознаване с гаранционните условия са посочени в отделна гаранционна карта.

ДУГОВОЙ СВАРОЧНЫЙ АГРЕГАТ

55 - 160A

Цифровые обозначения в тексте относятся к изображениям на страницах 2 + 109



Для обеспечения собственной безопасности и безопасности других мы рекомендуем внимательно ознакомиться с данной инструкцией перед началом использования изделия. Не выбрасывайте данную инструкцию и другие прилагаемые к изделию документы для возможности их использования в будущем.

Введение

Процесс сварки плавлением используется для плавки обрабатываемого материала под действием подаваемого накала. Дуговая электросварка также производится с помощью сварочного материала (электродов). После застывания сварка считается завершенной. Необходимый накал достигается поддержанием электрической дуги между электродом и обрабатываемым материалом. Процесс сварки требует большой силы тока (55-160 А) и относительно низкого напряжения (10–48 В). Трансформатор в сварочном аппарате обеспечивает понижение основного напряжения (400 В).

Агрегат не предназначен для профессионального использования!

Содержание

1. Информация об устройстве
2. Руководство по безопасности
3. Установка аксессуаров
4. Функционирование
5. Сервис и обслуживание

1. Информация об Устройстве

Технические характеристики

Напряжение	230 / 400 В ~
Частота	50 Гц
Сварочный ток	55 / 140 А (230 В) / 160 А (400 В)
Напряжение без нагрузки	48 В / 230 В
Фактор нагрузки	0.62
Диаметр электродов	2 - 4 мм
Вес	22.1 кг
Размеры	56 x 32.5 x 40 см

Тепловая защита	105 °C (±5 °C)
Сетевой кабель	HO7RN-F 3x1.5 мм ² 2m
Сварочный кабель	HO1N2-D 1x16 мм ² 2m

Содержимое упаковки

- 1 Сварочный аппарат
- 1 Сварочная маска
- 1 Металлическая проволочная щетка/ градационный молоточек
- 1 Руководство пользователя
- 1 Инструкция безопасности
- 1 Гарантийный талон

Убедитесь, что машина, незакрепленные детали и принадлежности не утеряны и не повреждены при транспортировке.

Информаци об изделии

Рис. 1 & Рис. 2

- 1. Лампа индикатора температуры
- 2. Кнопка вкл/выкл
- 3. Поворотная ручка для настройки силы тока
- 4. Сварочный кабель с держателем электрода
- 5. Кабель заземления с креплением
- 6. Резиновый наконечник
- 7. Ручка
- 8. Отверстия для вентиляции
- 9. Металлическая проволочная щетка / градационный молоточек
- 10. Сварочная маска
- 11. Электроды

Таблица: Установка и использование

Ø f Электрод (мм)	Сила тока (А)	Подходящий, среди других:
2	50-75	Толщина материала 2-3 мм Починка настенной подставки
2.5	70-100	Толщина материала 4-5 мм Садовый забор, садовые безделушки
3.2	95-150	Толщина материала 6-7 мм Навес для автомобиля, гараж
4	130-160	Толщина материала 8-12 мм Конструкция (тяжелая)

2. Руководство по Безопасности



Внимание! Прочитайте руководство по эксплуатации.

Расшифровка обозначений



Риск повреждения инструмента и/или травм, смерти в случае несоблюдения инструкций данного

руководства.



Вероятность поражения электрическим током.



В случае повреждения провода немедленно выньте вилку из источника электропитания; отключайте вилку от источника электропитания и во время проведения техобслуживания.



Не позволяйте приближаться посторонним.



Не используйте во время дождя.



Надевайте средства защиты органов слуха и зрения.



Носите защитные перчатки.



При проведении сварочных работ всегда надевайте сварочную маску



Надевайте защитную одежду

EN60974-6 *Стандарт для сварочных аппаратов ручной дуговой электросварки ограниченной мощности.*

Классификация ЭМС в соответствии с IEC 60974-10



Держатель электрода



Терминал заземления



Понижение напряжения



Однофазовый трансформатор



Цепь питания, фаз 1 или 3 ~50 Гц



Диаметр электрода



Плавка 16А

I_{1max}

Ампераж максимальной основной силы тока

I_2

Ампераж вторичной силы тока



Расчетное максимальное время периодической сварки



Расчетное максимальное время сварки в режиме постоянной работы

IP21S *SB* вид защиты. Запаянный, для предметов длиной до 12 мм и защищен от перпендикулярного падения воды. Задержка проверки воды.

H Вид изоляции

U⁰ Номинальное напряжение без нагрузки

U¹ Номинальное напряжение питания

U² Значения обычного напряжения нагрузки

I^{eff} Максимальный эффективный ток питания

Общие инструкции безопасности для сварочных аппаратов

- Пользователь машины должен быть проинструктирован как использовать и управлять этой машиной.
- Обеспечьте хорошо освещенное и чистое рабочее помещение.
- Всегда вынимайте вилку из розетки перед проведением технического обслуживания машины.
- Вынимайте вилку из розетки, если вы отходите от машины.
- Не используйте машину, если она полностью не собрана и не установлена, так как показано в руководстве.

Специальные инструкции безопасности для сварочных аппаратов

- Сварка сопровождается искрами и отделением горячего металла. Помните, что сварка огнеопасна, поэтому убирайте все легковоспламеняющиеся предметы с рабочего места.
- Обеспечьте хорошую вентиляцию рабочего помещения. Газы, освобожденные при сварке опасны для вашего здоровья.
- Не производите сварку контейнеров или труб которые содержат или содержали легковоспламеняющиеся жидкости или газы (опасность возникновения огня или взрыва).
- Не производите сварку материалов, которые чистились легковоспламеняющимися жидкостями или которые имеют крашенные поверхности (вероятность освобождения опасных газов).
- Не работайте в сыром или влажном помещении и не производите сварку под дождем.
- Всегда защищайте свои глаза поставляемой сварочной маской.
- Используйте перчатки и защитную одежду, сухую и не испачканную в масле или грязи.
- Освобожденный шлак иногда сильно накаляется и может вызвать серьезные повреждения глаз во время удаления. Всегда носите защитные очки и перчатки.
- Ультрафиолетовое излучение может сжечь вашу кожу во время сварки. Так что всегда носите подходящую защитную одежду.
- Ваш сварочный аппарат защищен от перегрузки. Таким образом, сварочный аппарат автоматически выключается, при перезагрузке. Сварочный аппарат автоматически включается после того, как он достаточно остынет.
- Во время сварки и охлаждения, ваш обрабатываемый материал может деформироваться из за вызванного напряжения. Всегда имейте это ввиду.
- Разрешается использовать только сварочные провода из комплекта поставки (сварочные провода 0/ 10 мм² с резиновой изоляцией)
- В помещениях с опасностью пожара и взрыва действуют специальные нормы.
- Сварные соединения, подвергающиеся большой нагрузке и которые должны соответствовать определённым

требованиям безопасности, должны исполняться только специально обученными и опытными сварщиками. Например: напорные котлы, рельсы, прицепные устройства полуприцепов и т.д.

- **Внимание:** заземляющую клемму всегда подсоединяйте как можно ближе к месту сварки, при этом сварочный ток проходит наименьший путь от электрода к заземляющей клемме. Никогда не подключайте заземляющую клемму на корпус сварочного агрегата! Никогда не подключайте заземляющую клемму к заземленным деталям, которые слишком удалены от заготовки, напр. к водопроводной трубе в другом углу помещения. Это может привести к повреждению системы защитной проводки в помещении, где производятся работы.
- Защита подключений к розетке сети должна соответствовать нормам (VDE 0100). Предохранительные контакты розеток должны быть защищены (предохранителями или защитными выключателями проводки) с макс. силой тока 16А (Типы и технические данные: RT 14-20, O/ 10 x 38, AC 400 V 16A. IEC 60269. Мало активные. Производитель: Chint). Большие параметры предохранения могут привести к возгоранию проводки или повреждению здания.

Электрическая безопасность



Моментально выключайте машину если:

- *Обнаружен дефект в шнуре питания, сетевом штепселе, или поврежден кабель.*
- *Неисправный переключатель.*
- *Видно дым или слышно запах сгоревшего изоляционного материала.*



Предупреждение! В зависимости от состояния сети питания в точке подключения, сварочный источник питания может вызывать помехи по питанию других потребителей электроэнергии. Если этот вопрос вызывает сомнение, необходимо обратиться за консультацией на предприятие электроснабжения.

- Убедитесь, что сварочный аппарат и кабели электропроводки проведены должным образом. Любая вероятность удара электрического разряда может оказаться опасной для жизни.
- Всегда проверяйте качество проводки, как держателя электрода, так и зажима заземления.
- Следите чтобы не повредить электрические кабели из-за натяжения. Отключайте кабели при переноске сварочного аппарата.
- Избегайте контакта с частями сварочного аппарата, держателя электрода и зажима заземления, проводящих электричество.
- Всегда проверяйте соответствует ли напряжение сети значению изображенному на пластине машины.
- Замена кабелей или пробок: Выбрасывайте старые кабели или пробки, как только они были заменены новыми. Вставка бракованной кабельной пробки в гнездо пробки-опасно.
- Для всех сварочных аппаратов, работающих на 230 Вольт, используйте плавку как минимум в 16 Ампер
- Когда используется удлинительный провод: Используйте только утвержденные удлинительные провода, подходящие мощности машины. Основная часть должна иметь диаметр, как минимум 1.5 mm². Полностью раскрутите провод, если он закручен на катушке.
- Работы на стороне сетевого напряжения, напр. с кабелями, вилками, розетками и т.д. должны производиться только квалифицированными электриками.

3. Установка аксессуаров



Убедитесь, что пробка была удалена с гнезда пробки во время сборки аксессуаров.

Установка машины

- Установите сварочный аппарат в сухом и чистом месте (без железной стружки, пыли и краски).
- Устанавливайте сварочный аппарат на твердую плоскую поверхность, не менее чем на 20 см от стены.
- Защищайте сварочный аппарат от дождя и прямых солнечных лучей.

Сварочная маска

Рис. 2

- Соберите сварочную маску, закрепив рукоятку винтами из комплекта поставки.
- Вставьте световое стекло (защитное стекло) лицевой частью в темное сварочное стекло. Вставьте очки в окно и зафиксируйте их.
- Удостоверьтесь, что стекла установлены таким образом, что (вредное) излучение не попадает через отверстие.
- Замените светозащитное стекло, если видимость обрабатываемого материала становится недостаточной во время сварки. Производить замену темного сварочного стекла значительно дороже, замены светозащитного стекла.

Установка новых электродов

Электрод состоит из металлического основания на которое нанесено покрытие. На одном конце электрода на основание не нанесено покрытие.

- Нажмите зажим держателя электрода напротив пружины.
- Вставьте электрод оголенным концом (± 2 см) в держатель электрода. Удостоверьтесь хороший ли контакт оголенной части электрода с металлической частью держателя (не вдавливайте электрод слишком далеко в держатель).
- Опустите ручку захвата. Электрод теперь зафиксирован.



Замечание! Не позволяйте электроду сгорать короче, чем на ± 5 см из-за возможности перегрева или деформации держателя электрода. К тому же сгоревший электрод в этом случае будет сложно извлечь.

Извлечение использованных электродов

Нажмите на захват держателя электрода против пружины, так, чтобы сгоревший электрод выпал из держателя.



Замечание! Не извлекайте электрод из держателя руками. Электрод сильно нагревается!



Замечание! Следите за тем, куда выбрасываете использованный электрод, чтобы предотвратить опасность возникновения пожара или возможную травму.



Предупреждение: прочитайте руководства по эксплуатации перед работой с данным оборудованием и его техническим обслуживанием.

Установка

Рис. 4

Начальным положением переключателя (2) является «OFF» (выкл.).

В устройстве есть две вилки, что позволяет использовать его при напряжении в 230 В или 400 В.

- С вилкой VDE его можно использовать только в режиме 230 В. Чтобы использовать сварочный аппарат при напряжении в 230 В, вставьте вилку VDE в розетку сети 230 В, после чего поверните переключатель (2) из положения OFF в положение 230 В.
- С пятиштырьковой вилкой его можно использовать только в режиме 400 В. Вставьте промышленную вилку в розетку сети 400 В, после чего поверните переключатель (2) из положения OFF в положение 400 В.

Учитывайте следующее во избежание риска возгорания, поражения электрическим током или травм:

- 1 Перед началом работы убедитесь, что номинальное напряжение устройства соответствует номинальному напряжению источника питания.
- 2 Отключайте устройство от источника питания перед регулировкой номинального напряжения.
- 3 Регулировка номинального напряжения во время работы сварочного аппарата запрещается.

4. Функционирование

Перед использованием:

- а. Общая информация про дуговую электро сварку
- б. Электрод

- c. Защитная одежда
- d. Защита лица
- e. Рабочее помещение

a. Общая информация про дуговую электро сварку

- Температура дуги равняется приблизительно 7000° С по-этому конец электрода и обрабатываемого материала сплавляются. Пока удерживается температура дуги, электрод будет плавиться и предоставлять сварочный материал для необходимого соединения частей. Расстояние между электродом и обрабатываемым материалом должно быть максимально маленьким (примерно 1.5 - 4 мм) в зависимости от диаметра и типа электрода. Ток необходимый для сварки предоставляется сварочным аппаратом. Сила необходимая для сварочного аппарата зависит от поставленной задачи.
- Убедитесь, что электроды совершенно сухие, поскольку влажные электроды вызывают проблемы. Если электрод прилипает во время сварки, значит установленная сила тока слишком маленькая.

b. Электрод

- Электрод состоит из металлического основания, на которое нанесено покрытие. Покрытие имеет наибольшее значение защиты области сварки и преобразования капель кислорода и азота в окружающую атмосферу.
- Электрод сгорает во время сварки. Часть покрытия испаряется, таким образом появляется защитный газообразный щит.
- Часть покрытия лежит на поверхности области сварки (оно легче, чем сталь) и защищает остывающий сварной шов. После охлаждения, покрытие становится твердым и легко шлакуется на свареном месте.
- Обращайтесь с электродами бережно, так чтобы не сорвать покрытие. Убедитесь, что электроды совершенно сухие, поэтому храните их во влагонепроницаемом месте.
- Очень важно использовать соответствующий электрод, чтобы создать хороший и прочный сварной шов. Универсальный электрод будет в

большинстве случаев подходить для вашей работы.

- На упаковках электродов указывается в каких случаях и положениях можно использовать данные электроды (над головой, под собой, и т.д. подразумевая скорость сгорания электрода). Отдельные электроды доступны для приобретения и сварки различных типов нержавеющей стали и чугуна. Проконсультируйтесь с вашим поставщиком относительно подходящих электродов.

c. Защитная одежда

Носите тщательно защищающую одежду, так, чтобы возможность ожога кожи ультрафиолетовой радиацией или брызгами частичек металла, была минимальной. Предпочтительно носите хлопковую одежду, перчатки для сварки и защитную обувь. Убедитесь, что брызги частиц сварки не попадут в перчатки или обувь. Фартук для сварки (кожаный) предотвращает попадание искр и частиц металла, и порчу одежды.

d. Защита лица

Рис. 2

- Используйте хорошую маску для сварки с (темным) сварочным стеклом и защитным стеклом. Проверьте надежно ли установлены оба стекла (хорошо ли закреплены и не пропускают ли солнечных лучей).
- Сварочная маска защищает сварщика от радиации, жара и сварочных искр производящихся во время сварочного процесса. Это также уменьшает количество вдыхаемых сварочных испарений.
- Невидимые ультрафиолетовые лучи вызывают так называемые "вспышки сварщика". Это происходит после смотря на электрическую дугу на протяжении нескольких секунд. Избегайте действия этой радиации и высоких температур на лицо и другие открытые части тела, как, например, шею и руки.
- Защитите глаза от опасного эффекта электрической дуги и удалите людей, не принимающих участие в работах, из зоны 15 м от электрической дуги.
- Также необходимо проинформировать помощников, находящихся вблизи электрической дуги об опасностях и предоставить им необходимые средства

защиты. В случае необходимости устанавливаются защитные стены.

е. Рабочее помещение

- Обеспечьте хорошо проветриваемое рабочее помещение. Газы, испаряющиеся во время сварки опасны для вашего здоровья.
- Уберите все легковоспламеняющийся предметы из рабочего помещения. Сварка вызывает искры и брызги частичек горячего металла.
- Убедитесь, что холодная вода находится недалеко от рабочего места. Не оставляйте только что сваренный, (горячий) обрабатываемый материал без надзора на рабочем месте. Остудите обрабатываемый материал перед тем как покинуть рабочее место.

Защита от излучения и ожогов.

- На рабочем месте должны быть размещены таблички с информацией об опасности повреждения глаз «Внимание! Не смотреть на пламя!».
- Рабочее место необходимо отделить таким образом, чтобы были защищены находящиеся поблизости люди. Посторонние лица не должны находиться вблизи места проведения работ.
- В непосредственной близости от постоянных рабочих мест стены не должны быть светлого цвета или глянцевыми. Окна необходимо обработать, напр. подходящей краской, не менее чем до уровня головы от прохождения или обратного отражения излучения.

Использование

Рис. 3

Совет: Перед началом сварки сложных обрабатываемых материалов лучше всего испытать сварку на пробном образце.

- Обеспечьте чистое рабочее место: уберите ржавчину, жир и остатки краски.
- Установите необходимую силу тока используя ручку на лицевой части сварочного аппарата. Выбор силы тока зависит от обрабатываемого материала и типа использованного электрода.
- Вставьте часть электрода без покрытия в держатель электрода и соедините зажим

заземления к обрабатываемому материалу.

- Включите сварочный аппарат, используя главный переключатель.
- Держите сварочную маску перед лицом и двигайте конец электрода к обрабатываемому материалу, так, как будто зажигаете спичку. Это наилучший способ начать работу со сварочной дугой. Не бейте обрабатываемый материал электродом. Это повредит электрод и затруднит создание сварочной дуги.
- После создания сварочной дуги сразу же попробуйте сохранить расстояние между концом электрода и обрабатываемым материалом. Соблюдение этого расстояния равно диаметру электрода. Постарайтесь придерживаться и не изменять этого расстояния во время сварки.
- Двигайте электрод постепенно, толкая в сторону обрабатываемого материала.
- сохраняйте угол между электродом и обрабатываемым материалом равным 60° и 70° в направлении движения.
- Когда создан сваренный шов, разорвите сварочную дугу убрав электрод от обрабатываемого материала.
- Выключите сварочный аппарат.



Замечание. Если вы оставляете включенным сварочный аппарат, не исключено, что между электродом и кабелем заземления возникнет сцепление (посредством рабочего места) и возникнет самопроизвольная сварка.

- Уберите шлак со сваренного шва с помощью градационного молоточка.



Позаботьтесь о горячих отлетающих частичках металла. Всегда носите защитные очки.

- Никогда не производите сварку поверх остатков шлака: шлак создает непроводящий и загрязненный слой, и в результате ослабляет сварку (так называемое шлаковое включение).
- Очищайте сварку используя металлическую проволочную щетку.



ЗАМЕЧАНИЕ. *Обрабатываемый материал до сих пор имеет большую температуру. Не оставляйте горячий обрабатываемый материал без присмотра.*

Лампа индикатора температуры

Рис. 1

- Когда температура сварочного аппарата становится слишком высокой, вмонтированный термостат отключится (включится лампа индикатора). Вмонтированный вентилятор охлаждает машину. После охлаждения лампа опять выключится.
- Предоставить машине достаточно времени для того, чтобы остыть; при интенсивной сварке возрастает возможность, что через несколько минут температурный предохранитель опять сработает.

5. Сервис и обслуживание



При выполнении работ по техническому обслуживанию двигателя убедитесь, что машина не находится под напряжением.

Машины фирмы созданы для работы в течении продолжительного промежутка времени при минимальном техническом обслуживании. Продолжительная удовлетворительная работа зависит от соответствующего ухода за машиной и регулярной очистки.

Неисправности

На случай, если станок перестанет правильно работать, далее приводится несколько причин и соответствующих решений:

Неисправность

- Не работает сварочный аппарат

Причина/решение

- Зажим заземления плохо контактирует с обрабатываемым материалом
- Электрод плохо установлен в держателе
- Отключено регулирование температуры отключено или неисправна термозащита.
- Дефект сплава (в измерительном счетчике)
- Кабель испорчен
- Испорчен переключатель/свяжитесь со своим поставщиком.

Неисправность

- Электрод продолжает "прилипать" к обрабатываемому материалу
- Электрод стал оранжево-красным
- Электрод сильно брызгает и создает много шума во время сварки
- Машина сильно нагрелась; светится лампа индикатора

Причина/решение

- Используйте правильный тип электрода (универсальный)
- Сила тока слишком маленькая/поверните колесо 3 по часовой стрелке
- Слишком высокая сила тока для этого типа электрода/поверните колесо 3 против часовой стрелки
- Сила тока слишком высокая/поверните колесо 3 против часовой стрелки
- Закупорены отверстия для вентиляции/почистите их сухой тканью; подождите несколько минут пока лампа снова не выключится



Ремонт и обслуживание должен производить только квалифицированный специалист или обслуживающая фирма.

Очистка

- Проверяйте вентиляционные отверстия на наличие пыли и грязи. Используйте мягкую ткань увлажненную мыльной водой, чтобы удалить въевшуюся грязь. Не используйте никаких растворителей, как например бензин, спирт или аммиак, и т.п.
- Проверяйте остается ли держатель электрода и зажим заземления без ржавчины, для поддержания хорошей электрической проводимости.
- Регулярно проверяйте, жестко ли прикреплены кабели для сварки и заземления к своим контактам.

Смазка

Машина не нуждается в дополнительной смазке.

Неисправности

В случае неисправности, напр., после износа какой-либо части, обратитесь по адресу пункта обслуживания, указанному в гарантийном талоне. Покомпонентное представление изображения частей, которые можете заказать,

вы найдете на последней странице руководства.

Защита окружающей среды

Во избежание транспортных повреждений изделие поставляется в прочной упаковке. Значительная часть материалов упаковки подлежит утилизации, поэтому просим передать упаковку в соответствующую специализированную организацию.



Неисправный и/или бракованный электрический или электронный прибор должен быть утилизирован должным образом.

Только для стран ЕС

Не выбрасывайте электроинструмент вместе с бытовым мусором. В соответствии с Европейским руководством 2012/19/EU по "Утилизации электрического и электронного оборудования" и национальными законодательными актами электроинструмент, который больше не используется, необходимо собирать отдельно и утилизировать безопасным для окружающей среды образом.

Гарантия

Услови я гарантии вы найдёте в отдельно прилагаемом гарантийном талоне.

АПАРАТ ЗА ЕЛЕКТРОЛАЧНО ЗАВАРУВАЊЕ 55 - 160A

Броевите во текстот се однесуваат на дијаграмите на стр. 2+109



Внимателно прочитајте ги упатствата за работа пред да го користите уредот. Запознајте се со функциите и основните операции. Сервисирајте го уредот според инструкциите, за да се осигурате дека секогаш правилно ќе функционира. Упатствата за ракување и придружната документација треба да се чуваат во близина на уредот.

Вовед

При заварување работниот материјал се топи, под дејство на доведена топлина. Кај електролачното заварување се користи и додатен материјал (електроди). После стврдувањето настанува заварена врска. Потребната топлината се создава со електричен лак кој настанува помеѓу електродата и работното парче. За заварување е потребна силна струја (55-160 A) со релативно низок напон (10-48 V). Трансформаторот во апаратот за заварување го овозможува намалувањето на мержниот напон (400 V).

Уредот не е наменет за комерцијална употреба!

Содржина

1. Информација за машината
2. Безбедносни упатства
3. Монтажен прибор
4. Ракување
5. Сервис и одржување

1. Информации за машината

Технички податоци

Напон	230 / 400 V ~
Фреквенција	50 Hz
Карактеристики на заварување	55/140 A (230 V)/160A (400 V)
Напон без оптоварување	48 V / 230 V
Фактор на моќност	0.62
Пречник на електроди	2 - 4 mm
Тежина	22,1 kg
Димензии	56 x 32.5 x 40 cm
Термичка заштита	105 °C (±5 °C)

Кабел	H07RN-F 3×1.5mm ² 2m
Кабел за заварување	H01N2-D 1×16mm ² 2m

Содржина на пакувањето

- 1 Уред за заварување
- 1 Маска за заварување
- 1 Жичана четка/плоснат чекан
- 1 Упатство за ракување
- 1 Упатства за безбедност
- 1 Гарантна картичка

Проверете ја машината, отстегнатите делови и приборот да не се оштетени при транспорт.

Информација за производител

Сл. 1 и Сл. 2

1. Индикаторска светилка за температура
2. On/off прекинувач
3. Вртливо копче за јачина на струјата
4. Кабел за заварување со држач на електроди
5. Кабел за заземјување со стега
6. Гумен капак
7. Дршка
8. Жлебови за ладење
9. Жичана четка/плоснат чекан
10. Маска за заварување
11. Електроди

Табела: поставување и ракување

Ø Електрода (mm)	Јачина на струја (A)	Погодно, меѓудругото за
2	50-75	Дебелина на материјал 2-3 mm Поправање на ѕиден релгал
2,5	70-100	Дебелина на материјал 4-5 mm Градинарска ограда, играчки
3,2	95-150	Дебелина на материјал 6-7 mm Настрешница, гаража
4	130-160	Дебелина на материјал 8-12 mm Конструкција (тешка)

2. Безбедносни упатства



Внимание! Прочитај го упатството за ракување.

Објаснување на симболите



Означува ризик од повреда, губење на живот или оштетување на алатот во случај на непочитување на упатствата.



Укажува на опасност од струен удар.



Веднаш извлечете го кабелот од струја во случај да се оштетил или за време на одржување.



Присутните лица да стојат подалеку.



Не изложувајте на дожд.



Носете заштита за уши и очи.



Носете заштитни очила.



Секогаш користете маска за заварување.



Носете заштитна облека

EN60974-6

Стандард за апарати за заварување за рачно електролачно заварување со ограничена употреба.

EMC класификација во согласност со IEC 60974-10



Држач на електрода



Терминал за заземјување



Пад на напон



Еднофазен трансформатор



Напојно коло, фази 1 или 3 ~50 Hz



Пречник на електрода



Осигурувач 16A

I_{1max} *Мах. примарна јачина на струја во Ампери*

I₂ *Секундарна јачина на струја во Ампери*

— — — *Номинално максимално време на поединечно заварување*

— *Номинално максимално време на непрекинато заварување*

IP21S *IP21S Класа на заштита. Заштита од допирање на објекти до 12 mm и против вертикално паѓање на капки вода. Прекин со регулација на вода.*

H *Класа на изолација*

U⁰ *Номинален напон без оптоварување*

U¹ *Номинален напон*

U² *Вредности на конвенционален напон*

I_{eff} *Мах. ефективна напојна струја*

Општи безбедносни упатства за апарати за заварување

- Корисникот мора да е обучен за користење и ракување со апаратот.
- Обезбедете добро осветлена и уредна работна средина.
- Секогаш исклучете го кабелот од струја пред било каква работа околу машината.
- Извадете го кабелот од струја кога ја напуштате машината.
- Не го користете апаратот пред да биде целосно склопен и поставен според ова упатство.

Посебни безбедносни упатства за апарати за заварување

- Заварувањето предизвикува искри и жешок метал. Запомнете дека ова е опасност од пожар и отстранете ги сите запаливи предмети од работната средина.
- Обезбедете добра вентилација во работната средина. Гасовите кои се ослободуваат при заварување се опасност по вашето здравје.
- Не заварувајте контејнери или цевки кои содржат или содржеле запаливи течности или гасови (опасност од пожар или експлозија).

- Не заварувајте материјали кои се чистени со високо запаливи течности или биле бојосувани (веројатност за ослободување на штетни гасови).
- Не работете во влажна околина и на дожд.
- Секогаш да ги штитите очите со испорачаната маска за заварување.
- Користете ракавици и сува заштитна облека, кои не се натопени со масло или нечистотија.
- Згурата која се создава понекогаш е зажарена и топла и може да предизвика сериозни повреди на очите за време на отстранувањето. Носете заштитни очила и ракавици.
- Ултравioletовото зрачење може да предизвика изгореници на кожата. Затоа секогаш носете соодветна заштитна облека.
- Вашиот апарат за заварување е заштитен од преоптоварување. Поради тоа, апаратот автоматски се исклучува при оптоварување. Апаратот автоматски се вклучува повторно, откако доволно ќе се излади.
- За време на заварување и ладење парчето може да се деформира поради напрегања. Секогаш имајте го ова на ум.
- Смеа да се користат само испорачаните кабли за заварување (Ø 10 mm² гумиран кабел за заварување).
- Посебни прописи се однесуваат на области со ризик од пожар и експлозии.
- Заварените споеви кои се изложени на високи напрегања и кои мора да исполнуваат одредени барања за безбедност, смеат да ги прават само посебно обучени и сертифицирани заварувачи. Некои примери се: Садови под притисок, влечни шини, спојки за цевки, итн.
- Важно: Секогаш да ја поврзвате масата што поблиску до местото кое се заварува, со тоа струјата за заварување оди по најкус можен пат од електродата до терминалот. Никогаш не ја поврзувајте масата со куќиштето од апаратот за заварување!
- Никогаш не ја поврзувајте масата со заземјени компоненти кои се наоѓаат далеку од работното парче, нпр., за водоводна цевка во другиот крај од просторијата. Инаку, ќе се оштети заштитниот проводнички систем на просторијата во која се заварува.
- Осигрувачите на напојните приклучоци мора да одговараат на прописите (VDE 0100). Заштитниот контакт на приклучниците смеат да бидат max. 16A (типови и технички податоци: RT14-20, Ø 10 x 38, AC 400 V 16A.

IEC 60269. бавно горечки. Производител: Chint) (осигурувачи или склопки за заштита на проводници). Осигурувачи за поголеми струи можат да доведат до горење на кабли или пожар на објект.

Електрична безбедност



Исклучете го апаратот веднаш, ако:

- Постои дефект во приклучокот за струја, кабелот е оштетен.
- Е дефектен прекинувачот.
- Видите чад или мирис на изгорена изолација.



Предупредување! Во зависност од состојбата на електричната мрежа на местото на приклучувањето, електричниот извор на заварување може да предизвика пречки при снабдување со струја на други уреди. Ако постои било каков сомнеж во врска со ова прашање, советувајте се со органот за снабдување со електрична енергија.

- Уверете се дека апаратот за заварување и електричните приклучоци се правилно се поставени.
- Било каква можност за струен удар може да го загрози животот.
- Секогаш обезбедете добро поврзување, на двата држачи на електроди и заземјениот кабел.
- Не дозволувајте оштетување на каблите со влечење. Исклучете го кабелот пред преместување на апаратот.
- Избегнувајте контакт со електропроводните делови на апаратот, држачот на електродата и заземјениот кабел.
- Секогаш проверувајте дали одговара напонот на мрежата со вредностите на написната плочка.
- При замена на кабли и приклучоци:
- Фрлете ги старите кабли или приклучници, кога ќе ги замените со нови.
- Приклучување на лабава приклучница во мрежа е опасно.
- За апарати кои работат на 230 V користете најмалку 16 A осигурувач
- Кога користите продолжен кабел: Користете само одобрени продолжни кабли наменети за напојување на апаратот. Жиците мораат да имаат пресек од најмалку 1,5 mm².

Одвиткајте го кабелот целосно ако е намотан.

- Само квалификуван електричар смее да работи на електричното напојување, нпр., на каблите, приклучоците итн.

3. Монтажен прибор



Кабелот да е извлечен од струја кога го монтирате приборот

Поставување на машината:

- Поставте го апаратот на суво и чисто место (без железна прашина, прашина и боја).
- Поставете го апаратот врз цврста и рамна површина, најмалку 20 cm од ѕид.
- Заштитете го апаратот од дожд и силни сончеви зраци.

Маска за заварување

Сл. 2

- Составете ја маската за заварување со фиксирање на дршката, со испорачаните завртки.
- Поставете го стаклото (заштитно) пред темното стакло. Поставете ги стаклата во внатрешноста од прозорецот и забравете ги.
- Проверете дали се поставени така, светлото да не може да влегува низ отворот.
- Заменете го заштитното стакло кога погледот на работното парче станува нејасен. Замената на темното стакло е значително поскапо од замената на светлото заштитно стакло.

Местење на нови електроди

Електродите се состојат од обложено метално јадро. На крајот на електродата јадрото не е обложено.

- Притиснете ја рачката на држачот на електродата.
- Поставете електродата со необложениот крај (± 2 cm) во држачот. Проверете дали необложениот дел има добар контакт со металниот дел од држачот (електродата не ја туркајте премногу во држачот).
- Отпуштете ја рачката. Електродата е стегната.



Забелешка! Не дозволувајте електродата да изгори на должина пократка од ± 5 cm поради прегревање и/или деформација на држачот. Изгорената електрода тешко ќе се извади.

Отстранување на искористени електроди
Притиснете ја рачката од држачот така, да испадне искористената електрода.



Забелешка! Не ја отстранувајте електродата со рака. Електродата е жешка.



Забелешка! Гледајте каде ќе падне електродата за да се спречи опасност од пожар и можни повреди.



Предупредување: Прочитајте ги упатствата пред ракување и сервисирање на опремата.

Поставување
Сл. 4

Првичната положба на прекинувачот (2) е поставена на „OFF“.

Машината има 2 приклучоци, може да се употреби со напон од 230V или 400V.

- Со европскиот приклучок, таа може да се употреби само на положба од 230V. За да ракувате со машината за заварување на напон од 230V, поврзете го европскиот приклучок во штекер за 230V, а потоа свртете го прекинувачот (2) од положба „OFF“ до 230V.
- Со индустрискиот приклучок со 5 иглички, таа може да се употребува само на 400V. Поврзете го индустрискиот приклучок во штекер за 400V, а потоа свртете го прекинувачот (2) од положба „OFF“ до 400V.

Обрнете внимание на следново, за да се избегне ризик од пожар, електричен удар или повреди:

- 1 Пред работа проверете дали номиналниот напон на апаратот одговара на напонот на мрежата.
- 2 Исклучете го апаратот од струја пред поставување на номинален напон.
- 3 Забрането е дотерување на номинален напон за време на работа.

4. Ракување

Пред користење:

- а. Општи информации за електролачно заварување
- б. Електродата
- в. Заштитна облека
- г. Заштита на лицето
- д. Работна околина
- а. Општи информации за електролачно заварување

Температурата на лакот изнесува околу 7000°C, така што врвот на електродата и работното парче се топат. Колку подолго се одржува лакот, електродата ќе се топи и ќе се нанесува потребен материјал за заварување на деловите кои треба да се спојат. Растојанието меѓу електродата и работното парче мора да биде што е можно помало (приближно 1.5 - 4 mm) во зависност од пречникот и видот на електродата. Потребната струја за заварување се доставува од апаратот за заварување. Колку ќе биде голема моќноста на апаратот, зависи од потребната работа. Проверете дали се целосно суви електродите, зашто влажна електроди предизвикува проблеми. Ако електродата се лепи на работното парче, потребно е да се намали јачината на струјата.

б. Електродата

- Електродите се состојат од обложено метално јадро. Обложувањето ја има најважната улога при заштита на заварувањето од кислородот и азотот од воздухот. Електродата се топи во текот на заварувањето. Дел од облогата испарува, со што се создава гасовит заштитен слој. Дел од облогата плива во заварувачка бања (материјалот е полесен од челикот) и го штити изладениот шев. Откако ќе се излади, овој слој станува тврда, лесно отстранлива згура од заварениот спој.
- Ракувајте грижливо со електродите, за да не ја скршите облогата. Бидете сигурни дека електродите се целосно суви, така чувајте ги на суво место.
- Од големо значење е да се користи исправна електрода за да се направи добар и силен заварен спој. Универзалните електроди многу често ќе бидат погодни за вашата работа. На пакувањето на електродите е наведено во кои положби може да се заварува (над главата, надолу

итн. со оглед на брзината на топењето на електродата). Одредени електроди се комерцијално достапни за заварување на нерѓосувачки челици и леано железо. Консултирајте го вашиот продавач за порачување на вистински електроди.

c. Заштитна облека

Носете целосно покривна облека, за да биде минимизирана можноста за изгореници на кожата од ултравиолетово зрачење или прскање на метал.

По можност носете памучни панталони со прерамки, ракавици за заварување и заштитни чевли. Уверете се дека искрите од заварувањето не можат да завршат во ракавиците или чевлите.

Престилката за заварување (кожна) го штити комбинезонот од горење.

d. Заштита на лицето

Сл. 2

Користите добра маска за заварување, со (темно) стакло за заварување и заштитно стакло. Проверете дали двете стакла се правилно наместени (добро прицврстени и не дозволуваат навлегување на сончева светлина). Маската за заварување штити од зрачење, топлина и искри од заварување за време на заварување. Исто така го намалува вдишувањето на гасовите. Невидливите ултравиолетови зраци предизвикуваат тн. „заварувачки блесок“. Тој потекнува од неколку секунди гледање во електричниот лак. Избегнете го ефектот од ова зрачење и од високите температури на лицето и другите изложувања на делови од телото, како што се вратот и рацете. Заштитете се од опасните ефекти од електричниот лак и задржете ги лицата кои не учествуваат во работата на најмалку 15 m од лакот. Лица или помошници кои работат во близина на електричниот лак мора да се советувани за опасностите и тие мора да бидат опремени со потребната заштитна опрема. Ако е потребно, поставете заштитни ѕидови.

e. Работна околина

- Обезбедете добро проветрена работна средина. Гасовите кои се ослободуваат при заварување се опасност по вашето здравје.
- Отстранете ги сите запаливи предмети од работната средина.
- Заварувањето предизвикува искри и жежок

метал.

- Осигурајте се дека има вода за ладење во близина на работното место. Не го оставајте што туку завареното парче (жешко) без надзор на работното место.
- Изладете го парчето пред да го напуштите работното место.

Заштита од радијација и изгореници

- На работно место, опасноста за очите мора да биде означена со знак „Внимание! Не гледај во пламенот!“ Работните места мора да бидат што повеќе заштитени на таков начин, лицата кои стојат во близина на местото да се безбедни. Неовластените лица задржете ги надвор од работното место.
- Во непосредна близина на стационарни работни места, ѕидовите не треба да се светло или сјајно бојосани. Прозорците мора да бидат обложени со соодветна боја, барем на ниво на очите, за да се спречи зрачењето на минувачите.

Пуштање во работа

Сл. 3

- Совет: Пред да почнете да заварувате потешки делови, најдобро е прво да се обидете на тест парче.
- Обезбедете чисто парче: отстранете корозија, масти и остатоци од боја.
- Поставете потребна јачина на струја, со користење на вртливото копче, на предниот дел на апаратот. Изборот на јачината на струјата зависи од работното парче и видот на електродата.
- Поставете го делот од електродата без обложување во држачот на електрода и поврзете го заземјениот приклучок со работното парче.
- Вклучете го апаратот за заварување на главниот прекинувач.
- Држете ја маската за заварување во предниот дел на вашето лице и поместувајте го врвот на електродата преку работното парче, како што треба. Ова е најдобар начин да се започне со електролачно заварување. Не го удирајте парчето со електродата. Со тоа ќе ја оштетитена електродата и ќе го попречите создавањето на лакот.
- По создавањето на електричниот лак обидете се да задржите еднакво растојание помеѓу врвот на електродата и работното

парче. Држете го ова растојание еднакво со пречникот на електродата. Држете го ова растојание константно по можност, во текот на заварувањето.

- Поместувајте ја полека електродата преку работното парче.
- Држете го аголот меѓу електродата и парчето помеѓу 60° и 70° во насоката на движењето.
- Кога ќе биде направен заварениот спој, прекинете го лакот со отстранување на електродата од работното парче.
- Исклучете го апаратот за заварување.



***Забелека:** Ако го оставите апаратот вклучен, голема е веројатноста електродата да направи контакт (преку работната маса) со заземјениот кабел и спонтано да почне да заварува.*

- Отстранете ја згурата од заварениот спој, со рамен чекан.



Водете сметка за разлетаните метални честички. Секогаш носете заштитни очила.

- Никогаш не заварувајте врз остатоците од згурата: згурата претставува изолатор и контаминиран слој, а како резултат на тоа го слабее заварувањето (тн. вклучена згура).
- Исчеткајте го заварувањето со помош на жичана четка.



***Забелешка:** Работното парче и натаму е со висока температура. Не го оставајте жешко без надзор.*

Индикаторска светилка за температура Сл.1

Кога температурата на апаратот за заварување станува висока, термостат ќе се исклучи (индикаторската светилка за температура ќе се вклучи). Вградениот вентилатор го лади апаратот. После ладењето светилката се исклучува. Овозможете ѝ на машината доволно време за да се излади; со интензивно заварување голема е веројатноста по неколку минути повторно да се активира термичкиот прекинувач

5. Сервис и одржување



Проверете дали е апаратот исклучен од струја пред одржување.

Оваа машина е конструирана да работи долг период со минимално одржување. Непрекинато успешно работење зависи од грижата на машината и редовното чистење.

Дефект

Ако машината не функционира правилно, можните причини и соодветните решенија се дадени подолу:

Апаратот не работи.

- Заземјениот терминал нема добар контакт со работното парче.
- Електродата не е правилно поставена во држачот.
- Термичката контрола е исклучена или е скршена термичката заштита.
- Дефектен осигурувач (во мерна кутија).
- Дефектен кабел.
- Прекинувачот е дефектен/контактирајте го продавачот.

Електродата продолжува да се „лепи“ на работното парче.

- Користете вистински тип на електрода (универзална)
- Јачината на струјата е прениска/свртите го копчето 3 надесно

Електродата е портокалово-црвена боја.

- Јачината на струјата е премногу висока за овој тип на електрода/свртите го копчето 3 налево

Електродата претерано прска и прави многу бучава за време на заварувањето.

- Јачината на струјата е превисока/свртите го копчето 3 налево

Машината е многу топла; свети индикаторската светилка.

- Затнати се отворите за ладење /исчистете ги со сува крпа; Почекајте неколку минути додека светлото не се изгасне.



Поправките и сервисирањето треба да ги изведува само квалификувано лице или сервис.

Чистење

- Отворите за вентилација да бидат ослободени од прашина и нечистотија. Користете мекана крпа, навлажнета со вода со сапуница, за отстранување на тврдокорните нечистотии. Не користете растворувачи како бензин, алкохол или амонијак итн.
- Осигурајте се дека држачот на електродите и заземјениот приклучок се без коризија, за да можат да прават добар електричен контакт.
- Редовно проверувајте ги каблите дали се цврсто поврзани

Подмачкување

Машината не треба дополнително да се подмачкува.

Откази

Ако се случи отказ, нпр. поради трошење на дел, обратете се на адресата на сервисот од гарантната картичка. На позадината на упатството ќе најдете експозиционен преглед со прикажани делови кои можат да се нарачаат.

Животна средина

За да се спречи оштетување за време на транспортот, уредот се испорачува во тврдо пакување кое се состои од материјал за еднократна употреба. Затоа ве молиме да ги користите опциите за рециклирање на амбалажата.



Дефектни и/или отфрлени електрични или електронски апарати треба да се собираат на соодветни локации за рециклирање.

Само за земји од ЕУ

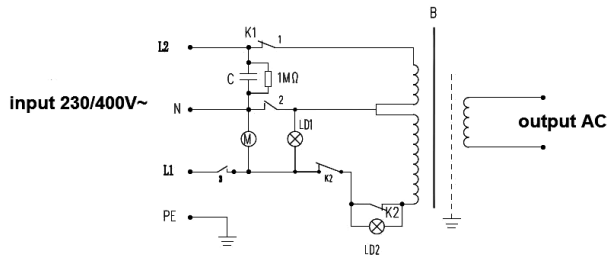
Не ги депонирајте алатите во домашен отпад. Според Европското Упатство 2012/19/ EU за отпадна електрична и електронска опрема и неговата имплементација во националното право, електричните алати кои веќе не се употребливи мораат да се собираат одделно и да се отстрануваат на еколошки начин.

Гаранција

Гарантните условите се дадени во посебна гарантна картичка.

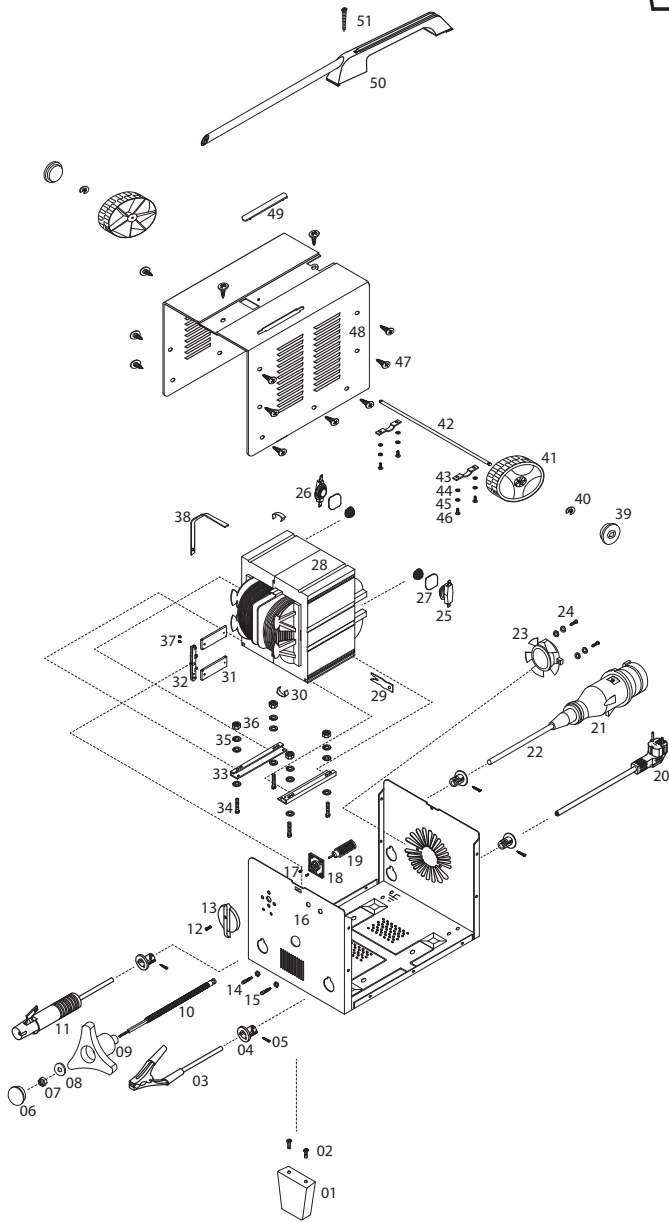
Spare parts list

No.	Description	Position No.
100192	Switch - 3 positions	13,17,18,19
100191	Thermic protection	26
100193	Fan	23
100194	Electrode holder	11
100195	Earth clamp	3
100196	Handle	50
100197	Wheel set	39,40,41,42
100178	Thermal control	25
100179	Industrial plug	21
100005	Chipping hammer / wire brush	
100006	Mask glass set (black & white)	
100007	Welding mask (excl.glass)	
WEA1011	Electrodes, 2,0mm, 1 kg	
WEA1012	Electrodes, 2,6mm, 1 kg	
WEA1013	Electrodes, 3,2mm, 1 kg	
WEA1014	Electrodes, 2,6mm, 5 kg	
WEA1015	Electrodes, 3,2mm, 5 kg	
WEA1016	Electrodes, 2,0mm, 12 pcs	
WEA1017	Electrodes, 2,6mm, 12 pcs	
WEA1018	Electrodes, 3,2mm, 12 pcs	



switch turn to 400V:1,3 on,2 off; use 400V model
 switch turn to 230V:2,3 on,1 off; use 230V model

CE Art. no. WEM1035 ARC WELDER		FERM		
Serial no.	EN 60974-6: 2016			
	55A / 20.2V - 140A/23.6V (230V) 55A / 20.2V - 160A/24.4V (400V)			
	$U_p=65V$	$I_{pmax}=140A$ (230V) $I_{pmax}=160A$ (400V)	$U_2=23.6V$ (230V) $U_2=24.4V$ (400V)	= 4°12' (230V) = 3°28' (400V) = 5°48' (230V) = 6°37' (400V)
	1-50Hz $U_1=230V$ / 400V	$I_{max}=29.5A$ (230V) $I_{max}=20.3A$ (400V)	$I_{eff}=12.08A$ (230V) $I_{eff}=7.08A$ (400V)	IP21S
FERM B.V. • EISENSTRAAT 6 • 8266 PEG ZWILLE NL • WWW.FERM.COM MADE IN PRC • DESIGNED IN THE NETHERLANDS 1816-19				





DECLARATION OF CONFORMITY

WEM1035 Arc welder

- (EN) We declare under our sole responsibility that this product is in conformity with directive 2011/65/EU of the European parliament and of the council of 8 June on the restriction of the use of certain hazardous substances in electrical and electronic equipment is in conformity and accordance with the following standards and regulations:
- (DE) Der Hersteller erklärt eigenverantwortlich, dass dieses Produkt der Direktive 2011/65/EU des Europäischen Parlaments und des Rats vom 8. Juni 2011 über die Einschränkung der Anwendung von bestimmten gefährlichen Stoffen in elektrischen und elektronischen Geräten entspricht. den folgenden Standards und Vorschriften entspricht:
- (NL) Wij verklaren onder onze volledige verantwoordelijkheid dat dit product voldoet aan de conform Richtlijn 2011/65/EU van het Europees Parlement en de Raad van 8 juni 2011 betreffende beperking van het gebruik van bepaalde gevaarlijke stoffen in elektrische en elektronische apparatuur en in overeenstemming is met de volgende standaarden en reguleringen:
- (FR) Nous déclarons sous notre seule responsabilité que ce produit est conforme aux standards et directives suivants: est conforme à la Directive 2011/65/EU du Parlement Européen et du Conseil du 8 juin 2011 concernant la limitation d'usage de certaines substances dangereuses dans l'équipement électrique et électronique. Declaramos bajo nuestra exclusiva responsabilidad que este producto cumple con las siguientes normas y estándares de funcionamiento: se encuentra conforme con la Directiva 2011/65/UE del Parlamento Europeo y del Consejo de 8 de junio de 2011 sobre la restricción del uso de determinadas sustancias peligrosas en los equipos eléctricos y electrónicos.
- (PT) Declaramos por nossa total responsabilidade-de que este produto está em conformidade e cumpre as normas e regulamentações que se seguem: está em conformidade com a Directiva 2011/65/UE do Parlamento Europeu e com o Conselho de 8 de Junho de 2011 no que respeita à restrição de utilização de determinadas substâncias perigosas existentes em equipamento eléctrico e electrónico.
- (IT) Dichiariamo, sotto la nostra responsabilità, che questo prodotto è conforme alle normative e ai regolamenti seguenti: è conforme alla Direttiva 2011/65/UE del Parlamento Europeo e del Consiglio dell'8 giugno 2011 sulla limitazione dell'uso di determinate sostanze pericolose nelle apparecchiature elettriche ed elettroniche.
- (SV) Vi garanterar på eget ansvar att denna produkt uppfyller och följer följande standarder och bestämmelser: uppfyller direktiv 2011/65/EU från Europeiska parlamentet och EG-rådet från den 8 juni 2011 om begränsningen av användning av farliga substanser i elektrisk och elektronisk utrustning.
- (FI) Vakuutamme yksinomaan omalla vastuullamme, että tämä tuote täyttää seuraavat standardit ja säädökset: täyttää Euroopan parlamentin ja neuvoston 8. kesäkuuta 2011 päivätyn direktiivin 2011/65/EU vaatimukset koskien vaarallisten aineiden käytön rajoitusta sähkö- ja elektronisissa laitteissa.
- (NO) Vi erklærer under vårt eget ansvar at dette produktet er i samsvar med følgende standarder og regler: er i samsvar med EU-direktiv 2011/65/EU fra Europa-parlamentet og Europa-rådet, pr. 8 juni 2011, om begrensning i bruken av visse farlige stoffer i elektrisk og elektronisk utstyr.
- (DA) Vi erklærer under eget ansvar, at dette produkt er i overensstemmelse med følgende standarder og bestemmelser: er i overensstemmelse med direktiv 2011/65/EU fra Europa-Parlamentet og Rådet af 8. juni 2011 om begrænsning af anvendelsen af visse farlige stoffer i elektrisk og elektronisk udstyr.
- (HU) Felelősségünk teljes tudatában kijelentjük, hogy ez a termék teljes mértékben megfelel az alábbi szabványoknak és előírásoknak: je v souladu se směrnici 2011/65/EU Evropského parlamentu a Rady EU ze dne 8. června 2011, která se týká omezení použití určitých nebezpečných látek v elektrických a elektronických zařízeních.
- (CS) Na naši vlastní zodpovědnost prohlašujeme, že je tento výrobek v souladu s následujícími standardy a normami: Je v soulade s normou 2011/65/EU Európskeho parlamentu a Rady z 8. júna 2011 týkajúcej sa obmedzenia používania určitých nebezpečných látok v elektrickom a elektronickom vybavení.
- (SK) Vyhlasujeme na našu výhradnú zodpovednosť, že tento výrobok je v zhode a súlade s nasledujúcimi normami a predpismi: Je v súlade s normou 2011/65/EU Európskeho parlamentu a Rady z 8. júna 2011 týkajúcej sa obmedzenia používania určitých nebezpečných látok v elektrickom a elektronickom vybavení.
- (SL) S polno odgovornostjo izjavljamo, da je ta izdelek v skladu in da odgovarja naslednjim standardom ter predpisom: je v skladu z direktivo 2011/65/EU Evropskega parlamenta in Sveta z dne 8. junij 2011 o omejevanju uporabe določenih nevarnih snovi v električni in elektronski opremi.
- (PL) Deklarujemy na własną odpowiedzialność, że ten produkt spełnia wymogi zawarte w następujących normach i przepisach: jest zgodny z Dyrektywą 2011/65/UE Parlamentu Europejskiego i Rady z dnia 8 czerwca 2011 r. w sprawie ograniczenia stosowania niektórych niebezpiecznych substancji w sprzęcie elektrycznym i elektronicznym.
- (LT) Prisiimdami visą atsakomybę deklaruojame, kad šis gaminy atitinka žemiau naminėtų standartus arba nuostatus: atitinka 2011 m. birželio 8 d. Europos Parlamento ir Tarybos direktyvą 2011/65/EB dėl tam tikrų pavojingų medžiagų naudojimo elektros ir elektroninėje įrangoje apribojimo.
- (LV) Ir atbilstoša Eiropas Parlamenta un Padomes 2011. gada 8. jūnija Direktīvai 2011/65/ES par dažu bīstamu vielu izmantošanu ierobežošanu elektriskās un elektroniskās iekārtās.
- (ET) Apvalvojam ar visu atbildību, ka šis produkti ir saskaņā ar atbilstošiem standartiem un nolikumiem: ir atbilstoša Eiropas Parlamenta un Padomes 2011. gada 8. jūnija Direktīvai 2011/65/ES par dažu bīstamu vielu izmantošanu ierobežošanu elektriskās un elektroniskās iekārtās.
- (RO) Declaram prin aceasta cu răspunderea deplină că produsul acesta este în conformitate cu următoarele standarde sau directive: este în conformitate cu Directiva 2011/65/UE a Parlamentului European și a Consiliului din 8 iunie 2011 cu privire la interzicerea utilizării anumitor substanțe periculoase la echipamentele electrice și electronice.
- (HR) Izjavljamo pod vlastitom odgovornošću da je strojem ukladan sa slijedešim standardima ili standardiziranim dokumentima i u skladu sa odredbama: usklađeno s Direktivom 2011/65/EU europskog parlamenta i vijeća izdanom 8. lipnja 2011. o ograničenju korištenja određenih opasnih tvari u električnoj i elektroničkoj opremi.
- (SR) Pod punom odgovornošću izjavljujemo da je usaglašen sa sledećim standardima ili normama: usaglašen sa direktivom 2011/65/EU Evropskog parlamenta i Saveta od 8.juna 2011. godine za restrikciju upotrebe određenih opasnih materija u električnoj i elektronskoj opremi.
- (BG) Ние декларираме на наша отговорност, че този продукт отговаря на съответствие с Директива 2011/65/ЕС на Европейския парламент и на Съвета от 8 юни 2011 г. относно ограничението на употребата на определени опасни вещества в електрическото и електронното оборудване, в съответствие с следните стандарти и наредби.
- (RU) Под свою ответственность заявляем, что данное изделие соответствует следующим стандартам и нормам: соответствует требованиям Директивы 2011/65/ЕU Европейского парламента и совета от 8 июня 2011 г. по ограничению использования определенных опасных веществ в электрическом и электронном оборудовании.
- (UK) На своо власну відповідальність заявляємо, що дане обладнання відповідає наступним стандартам і нормативам: задовольняє вимоги Директиви 2011/65/ЕС Європейського Парламенту та Ради від 8 червня 2011 року на обмеження використання деяких небезпечних речовин в електричному та електронному обладнанні.
- (MK) Декларираме под нашата единствена одговорност дека овој производ е u сообразност со Директивата 2011/65/EU на Европскиот парламент и на Советот од 9 Јуни за рестрикција на употреба на одредени опасни супстанции во електрична и електронска опрема и во сообразност и во склад со следните стандарди и регулативи

EN60974-1, EN60974-6, EN60974-10

2014/30/EU, 2014/35/EU, 2011/65/EU, 2012/19/EU

Zwolle, 01-05-2022

H.G.F. Rosberg
CEO Ferm

Ferm • Lingenstraat 6 • 8028 PM • Zwolle The Netherlands

