

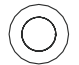










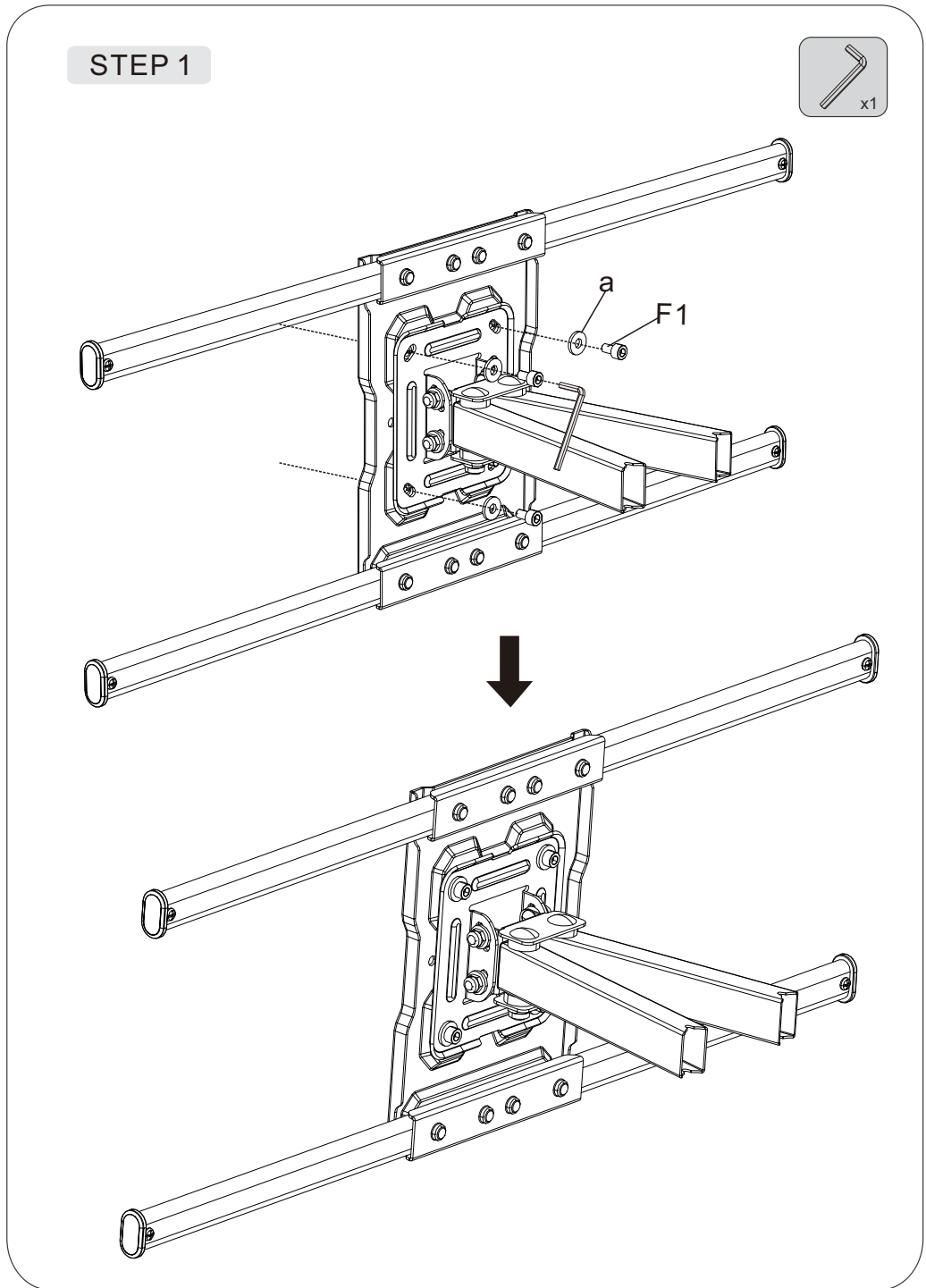
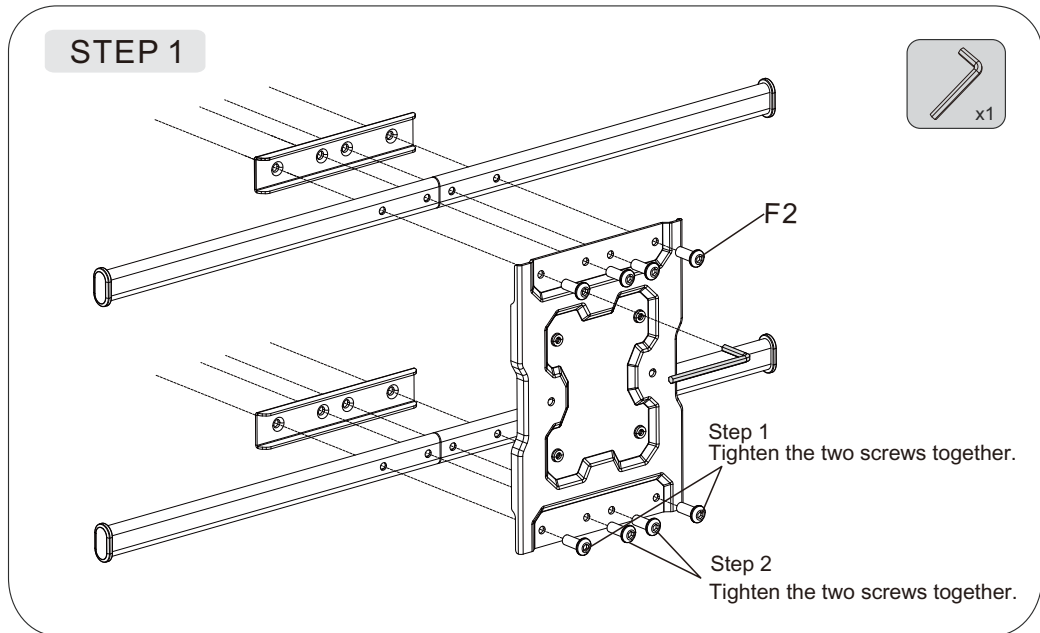
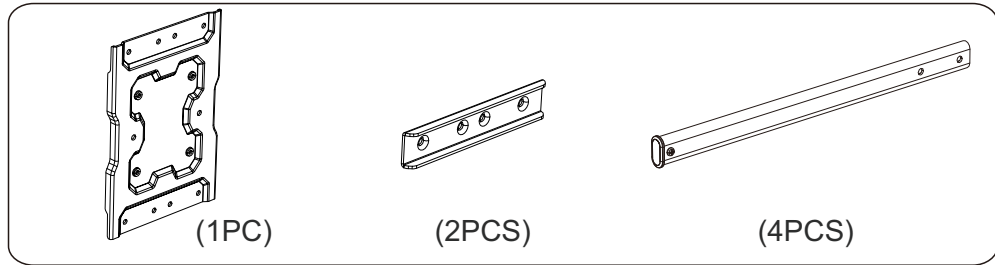
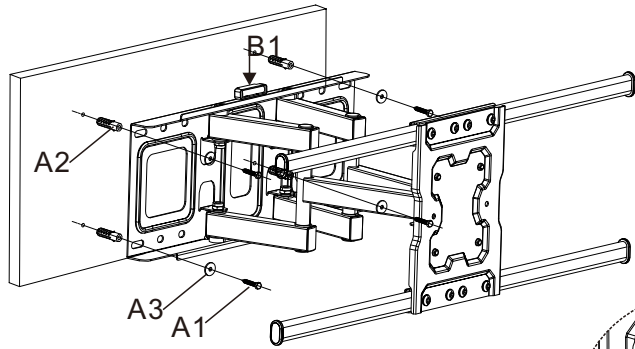
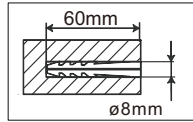


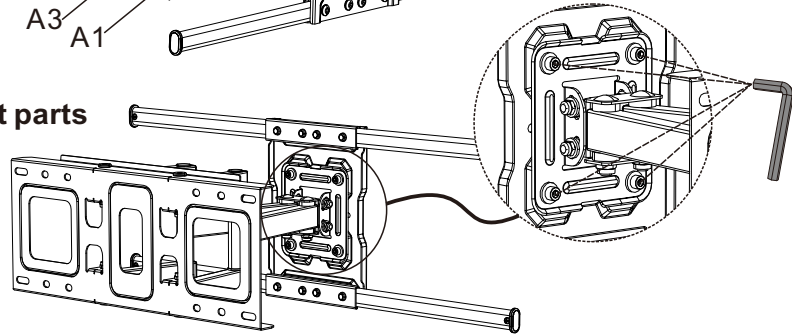
- | | | | | |
|---|---|---|---|---|
|  |  |  |  |  |
| M6
A1(4PCS) | M6
A2(4PCS) | M6
A3(4PCS) | bubble level
B1(1PC) | B2(4PCS) |
|  |  |  |  |  |
| B3(4PCS) | M6X20MM
C(4PCS) | M8X25MM
D(4PCS) | M4X20MM
E(4PCS) | M6X10MM
F1(4PCS) |
|  |  |  | | |
| M8X20MM
F2(8PCS) | ø16Xø6X2mm
a(4PCS) | allen wrench 5x5
b(1PC) | | |



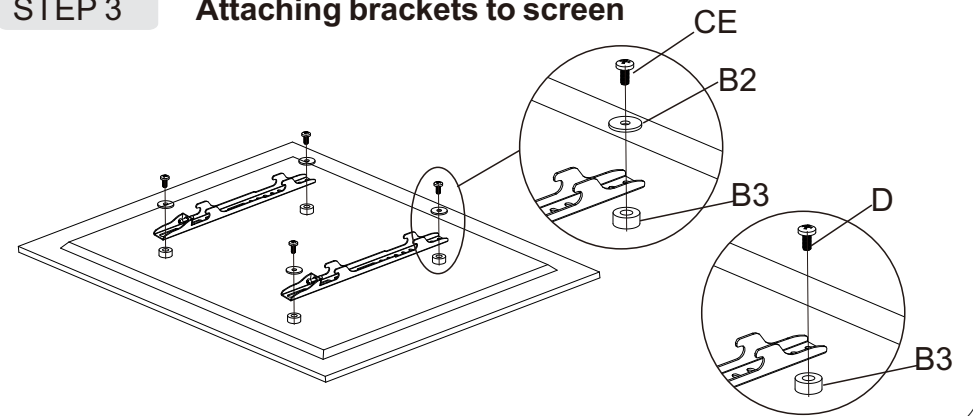
STEP 2A Solid concrete mounting



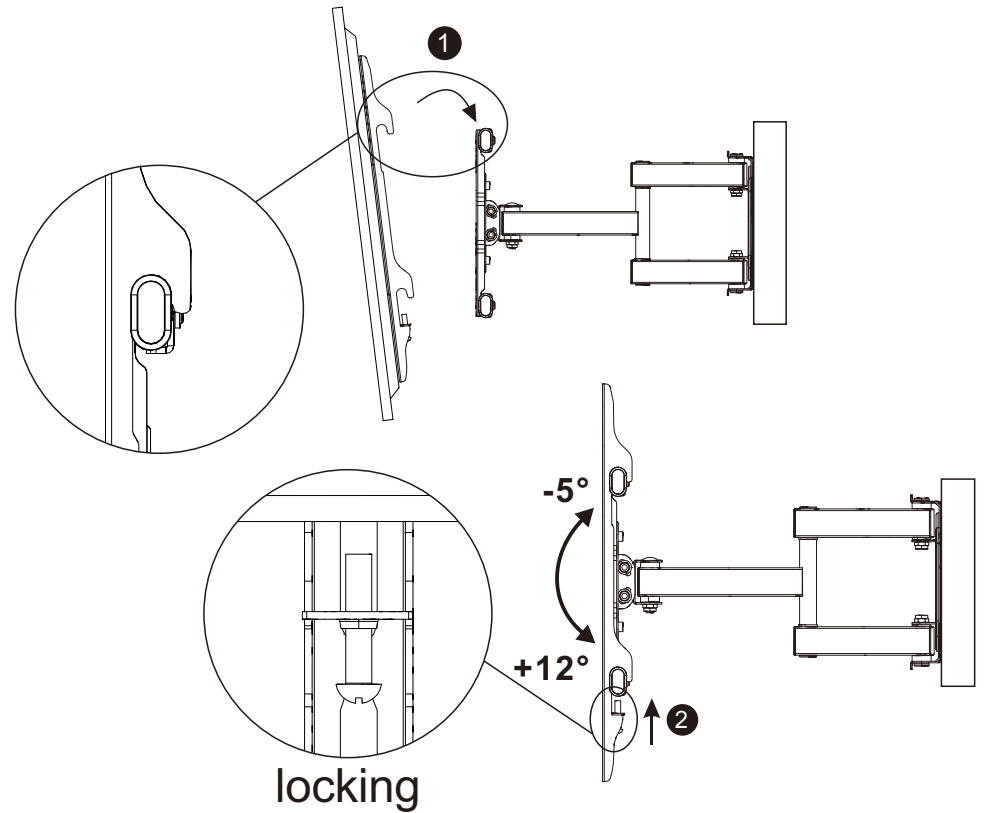
level the front parts



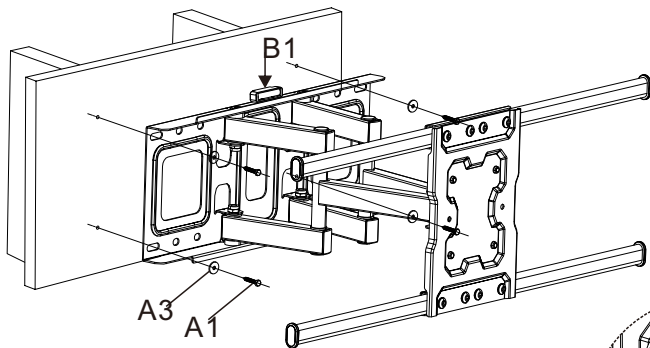
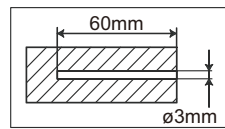
STEP 3 Attaching brackets to screen



STEP 4 Hang the TV onto the wall plate



STEP 2B Woodstud mounting



level the front parts

