

CRPP-VO2.44

CUSTOM FIT UPGRADE

Volvo 2014-Present

The Cruise series brings you the DLS natural sound engineered for integration. Easy to install and the perfect upgrade from your OEM system.

- Natural & musical sounding component midrange
- Optimized moving components for low distortion
- Oversized strong neodymium magnet solution
- Accurate 4" glass fibre laminated woofer
- Non-magnetic Kapton® / copper wire voice coil
- Glass fibre reinforced ABS basket
- High sensitivity, play more with less power
- Easy to install
- PRY tool and accessories included
- Detailed assembly guide included



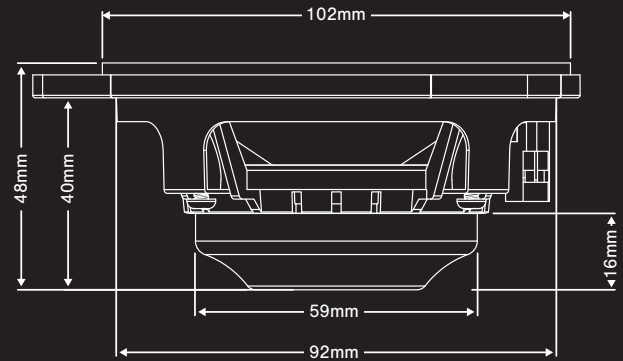
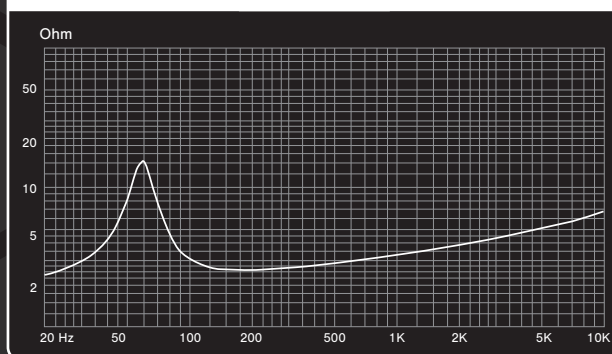
ELECTRO-ACOUSTIC PARAMETERS

Woofer	
Re	3.1 Ohm
Fs	99Hz
Mms	7.36gr
Cms	0.296
Vas	1.29L
Qts	0.75
Qes	0.95
Qms	3.54
Bl	4.10T.m
SPL	86dB 1W/1M
Sd	54cm ²

SPECIFICATIONS

Woofer	4" / 100mm
Power RMS	60W
Power MAX	120W
Impedance	4 Ohm
Sensitivity	86dB 1W/1M
Freq.range	80-8000Hz

IMPEDANCE vs FREQUENCY



CRPP-VO2.44

CUSTOM FIT UPGRADE

Volvo 2014-Present



COMPATIBLE CAR MODELS*		
Car	Model	Year
VOLVO	S60	2018 – Present
VOLVO	S90	2016 – Present
VOLVO	V60	2018 – Present
VOLVO	V90	2016 – Present
VOLVO	XC40	2017 – Present
VOLVO	XC60	2017 – Present
VOLVO	XC90	2014 – Present

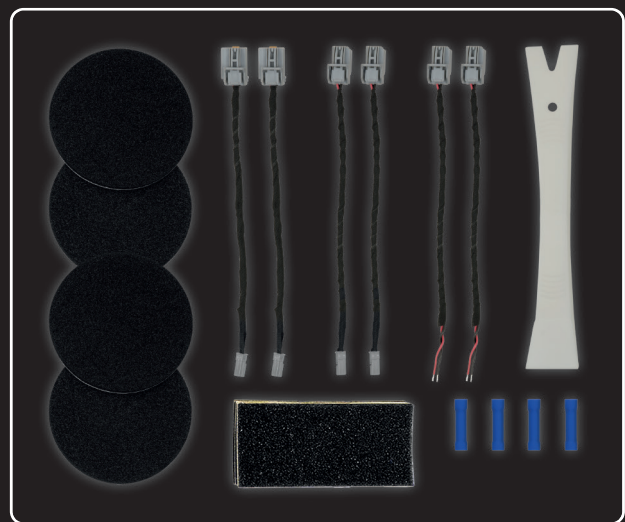
* Disclaimer: Only compatible with Harman/Kardon and B&W sound system.
 ** Read more on www.dls.se for full compatibility list.

INCLUDED PRODUCTS

2pcs Midrange speakers

INCLUDED IN BOX

- 2pcs Midrange adaptor cable (marked with MID-A)
- 2pcs Midrange adaptor cable (marked with MID-B)
- 2pcs Midrange adaptor cable bar ends (marked with MID-C)
- 4pcs Adhesive foam rings (102x4mm)
- 4pcs Adhesive foams for wrapping
- 4pcs Terminal crimp connectors
- 1pc PRY Tool
- 1pc Manual



DLS Sweden, a part of Winn Scandinavia AB
www.facebook.com/dlsaudioofficial
www.dls.se | info@dls.se



CRUISE