



streetwize

Roof Bars For Flush/ Closed Roof Rails

SWRB19 ■ SWRB20 ■

• ISO PAS 11154 Certified

Intention For Use

Thank you for purchasing this set of roof bars from Streetwize. These roof bars are designed to fit vehicles with factory fitted flush/closed roof rails, which are solid roof rails without gaps underneath the roof rail.

These roof bars support a maximum load of 75kg, however, if your vehicle can support more than 75kg on the roof, the load on the roof bars should not exceed this weight limit of 75kg.

Before use, please read through all the information in this document and keep this document for future reference.

Health & Safety Guidelines

Please retain the Allen key provided and these instructions safely with your vehicle manual, for future reference.

- The maximum permissible load evenly distributed over the full width of the bar with a low centre of gravity is 75kg (including the weight of the bars, 4kg). Check your vehicle handbook for fixing location for the roof bar and the maximum permitted load. The maximum permitted roof load must be the lowest quoted figure. If your vehicle hand book states a maximum of less than 75kg, then that is the maximum permissible load. Even if the vehicle handbook states a maximum of 120kg, the maximum permissible load for these roofbars is 75kg.
- It is your responsibility to ensure that all loads are correctly and safely secured using suitable fixing methods (e.g. strong webbing straps with buckles). Where specialised accessories are available, they should be used (e.g. Cycle Carriers, Ski Holders, etc). If small heavy loads are being carried, load to one side of the bar, not the middle.
- Never attach loads to roof bars using bungee cords or elasticated straps.
- Before driving check that all securing screws, clamping devices and foot attachments are fully tightened, in accordance with these instructions. Additionally ensure that the load is fastened correctly.
- When driving, please check that all bolts, clamping devices and foot attachments are fully tightened, in accordance with these instructions every 50 miles or after every journey.
- To prevent damage or discolouration to the paint under the foot pack rubber, we recommend the cleaning of the load bar feet and the vehicle roof prior to fitting. The load bar should be removed at regular intervals to repeat this process.
- When fitted, the roof bars will affect your fuel economy, therefore please remove them when not in use.
- Neither the roof bars nor load must project beyond the maximum profile of the vehicle.
- Take care not to drive in places where there is low ceiling height such as garages or multi storey car parks when carrying a tall load, particularly cycles. Do not drive through an automatic car wash with the load carrier mounted on the vehicle
- Using the bars, especially when carrying a load, will affect the driving and braking characteristics of your car. Larger roof loads may also affect your car's sensitivity to cross winds. For safety reasons, the vehicle must not be driven at maximum speeds. Speed should be matched to the load being transported, to prevailing conditions including the state of the road, the quality of the road surface, the volume of traffic, etc., and of course any speed restrictions in force. Where there are no restrictions in force, we recommend a maximum speed of 65 mph, but the vehicle speed when transporting a load of any kind must be matched to the prevailing conditions.

- Surfboards, boats and large flat objects may impact your vehicle's aerodynamics. Therefore, it is recommended to travel at much reduced speed when carrying these items/objects.
 - Where two or more surfboards are carried (or similar items which may produce lifting forces) they should not be carried side by side, but should be stacked one upon the other. They should be secured independently to the front and rear of the vehicle using straps or methods which are capable of withstanding the lifting forces.
 - When carrying kayaks or canoes ensure that they are secured to the bars and also the front and rear of the vehicle in the upright position.
 - We do not recommend the use of roof top tents or awnings with these roof bars.
 - The roof bars must be kept clean and properly maintained, particularly during the winter months when dirt and salt must be removed. Bolts, screws and nuts should be lubricated at suitable intervals, the periodic use of a spray lubricant will keep any lock barrels working freely.
 - Always fit the roof bars in accordance with these instructions. The spacing between the front and rear bars must never be less than 700 mm, except where the vehicle mountings determine the spacing.
-

Product Elements

1. Two Roof Bars
 2. 4 keys
 3. Allen Key
-

Roof Bar Installation

Pre Installation Checks

- Please clean the rails before installation.
- Please check to ensure the rubber strip on the underside of the bars is fully inserted as this will reduce any noise caused by the wind when driving.
- If you have any antennas or sunroofs that will come in the way of the roof bars, you will need to remove the antenna or not use the sunroof when the roof bars are on your vehicle.

IMPORTANT: Two people are required to install this product.

Compatible Roof Rails

These roof bars are only suitable for raised flush roof rails that have deep contour/lip (Figure 1). They are NOT suitable for flush roof rails that have a shallow contour with no obvious lip (Figure 2), as shown below:



Fig. 1



Fig. 2

Most compatible roof rails will have fixing points as shown in Figure 3a & 3b below. If your vehicle has fixed points, place the bars in the middle of them.

Please note, if your vehicle's flush roof rails do not have fixing points, then you need to ensure the roof bars are at least 70cm apart from each other (Figure 4).

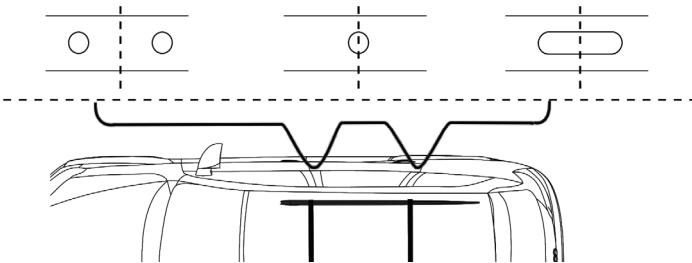


Fig. 3a



Fig. 3b

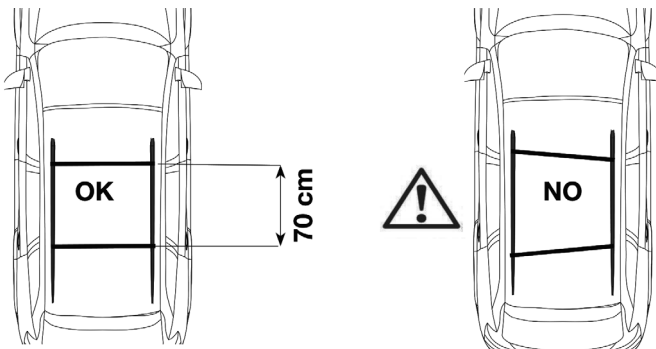


Fig. 4

Installation Instructions

1. First, on each roof bar, remove the lock on each side of both roof bars. To do this, insert the key into lock and turn it by 90° anti-clockwise. Then pull out the lock as shown in Figure 5 (Please note: you will need to use a certain degree of force to pull the lock off the roof bar).

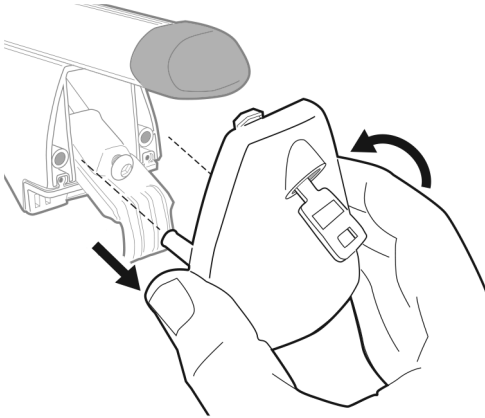


Fig. 5

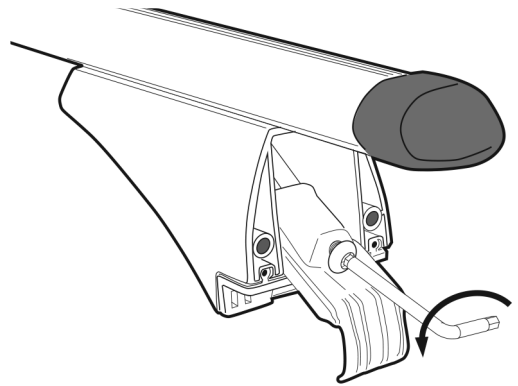


Fig. 6

2. Position the roof bars on your vehicle's roof rail. If your vehicle's roof rails have fixed points as described in Figure 3a & 3b in "Compatible Roof Rails", please ensure each bar is in the middle of the fixing point. If your vehicle does not have fixing points, then please ensure the roof bars are 70cm apart as shown in Figure 4.
3. Once the roof bars are positioned, secure the bolts back in place using the supplied allen key on each end of both roof bars Figure 6.
4. We advise pushing the feet firmly into the contour of the roof rail as shown in Figure 7.

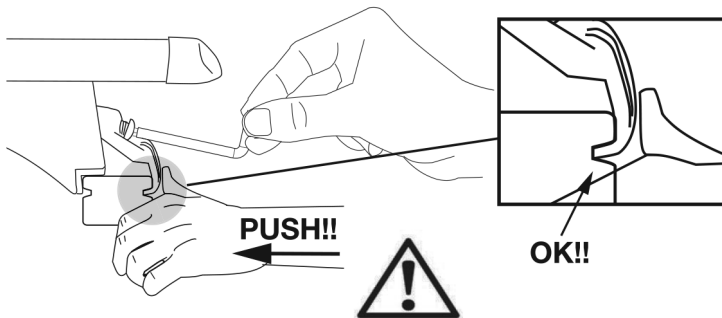


Fig. 7

5. Replace the lock on each end of the roof bars Figure 8, pushing the prongs firmly into the holes. Lock the roof bars with the supplied key and remove the key from the lock.

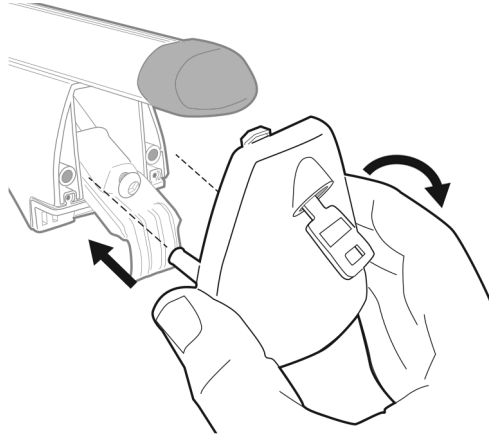


Fig. 8

6. Once the roof bars have been installed, please check the roof bars have been securely fastened on the roof rails Figure 9.

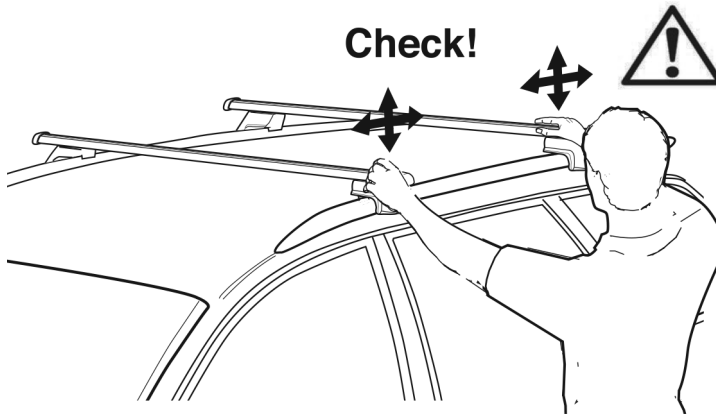
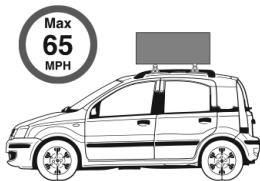
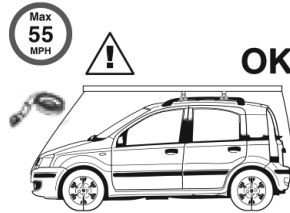
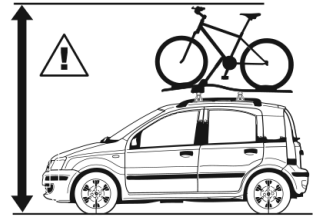
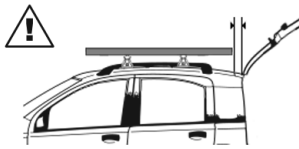
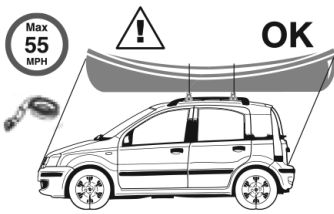
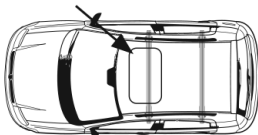


Fig. 9

General Safety Guidelines



Warning: Caution required when using roof bars with a sunroof



We do not recommend the use of roof top tents or awnings with these roof bars

Technical Support

If you require any technical support within the warranty period, please contact us on support@streetwize.co.uk and provide the product name and supplier code (see Technical Specifications) along with the technical query and proof of purchase.

Technical Specifications

Supplier Code	SWRB19	SWRB20
Roof Bar Length	120cm	135cm
Material	Aluminium	Aluminium
Max. Load Weight	75Kg	75Kg



Streetwize, Ashburton Road West,
Trafford Park, Manchester, M17 1RY

For Product Support:

E: support@streetwize.co.uk

T: +44 (0)161 447 8597

EU Regd. Address: Ace Supply Co (Europe) Ltd. D02 A098, ROI

www.streetwize.co.uk