



The number in this logo indicates that the product has an environmental protection period of 10 years under normal use.

Executive standard: GB4706.1-2005 GB4706.7-2014
GB4343.1-2009GB17625.1-2012



" CE "marking states that the product is compliant to European Directives
2014/35/EU Low Voltage Directive
2014/30/EU EMC Directive

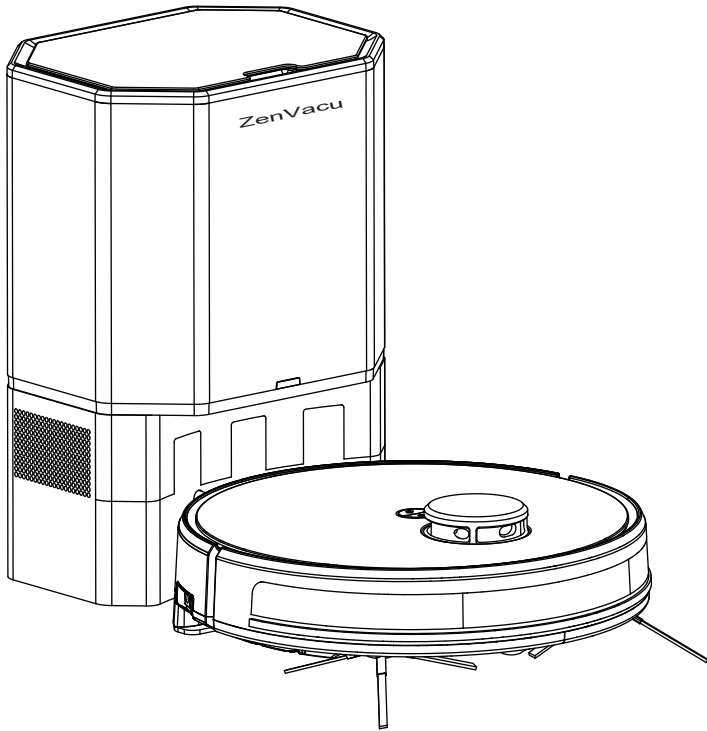
It is possible to request a full copy of Declaration of compliance to the Distributor.

This product complies with the rules of RoHS Directive(2011/65/EU&2015/863/EU)

This product complies with the rules of ERP Directive(2009/125/EC)

Robot Vacuum Cleaner User Manual

ZenVacu G8 Pro



Please read this manual carefully before using the product and keep it safe.

Safety Regulation

Before using this product, please read the following safety instructions and follow all the safety precautions.

Please read the instruction carefully. Please keep this instruction.

Any operation inconsistent with this instruction manual may cause damage to this product.

Attention

- 1、 Only authorized technicians can disassemble this product. Users are not recommended to disassemble this product by themselves.
- 2、 Please use the original power adapter only. Other adapters may caused damage to this product.
- 3、 Do not touch wires, sockets or power adapters when your hands are wet.
- 4、 Do not use cloth curtains or body parts to roll into the product drive wheels.
- 5、 Do not place this product near cigarette butts, lighters and other smoldering fires.
- 6、 Please clean the product after charging.
- 7、 Do not bend wires excessively or place heavy objects and sharp objects on the machine.
- 8、 This product is an indoor household product. Do not use it outdoors.
- 9、 Do not sit on the product.
- 10、 Do not use this product in wet environment (e.g. bathroom).
- 11、 Before using this product, please remove all vulnerable items (e.g. glasses, lamps, etc.) on the ground as well as items (e.g. wires, paper sheets, curtains) that may entangle the side brushes and air suction passages.
- 12、 Do not put this product in a place where it is easy to fall (e.g. on desks and chairs).
- 13、 Please turn off the main power switch on the side of machine during transportation or not use for long time.
- 14、 Please carefully check whether the power adapter is connected to the socket before use, otherwise the battery may be damaged.
- 15、 To prevent tripping, please inform other members of the house when this product works.
- 16、 Please empty the dust box before using this product when the dust box is full.
- 17、 The temperature used for this product is 0 to 40 degrees celsius.
- 18、 Do not use this product in high temperature environment.
- 19、 Please remove the battery from the machine before the product is scrapped.
- 20、 Please make sure that this product is not powered on when removing the battery.
- 21、 Please recycle the discarded batteries safely.
- 22、 This appliance is not intended for use by persons (including children) with reduced physical, sensory or mental capabilities, or lack of experience and knowledge, unless they have been given supervision or instruction concerning use of the appliance by a person responsible for their safety. Children should be supervised to ensure that they do not play with the appliance.

