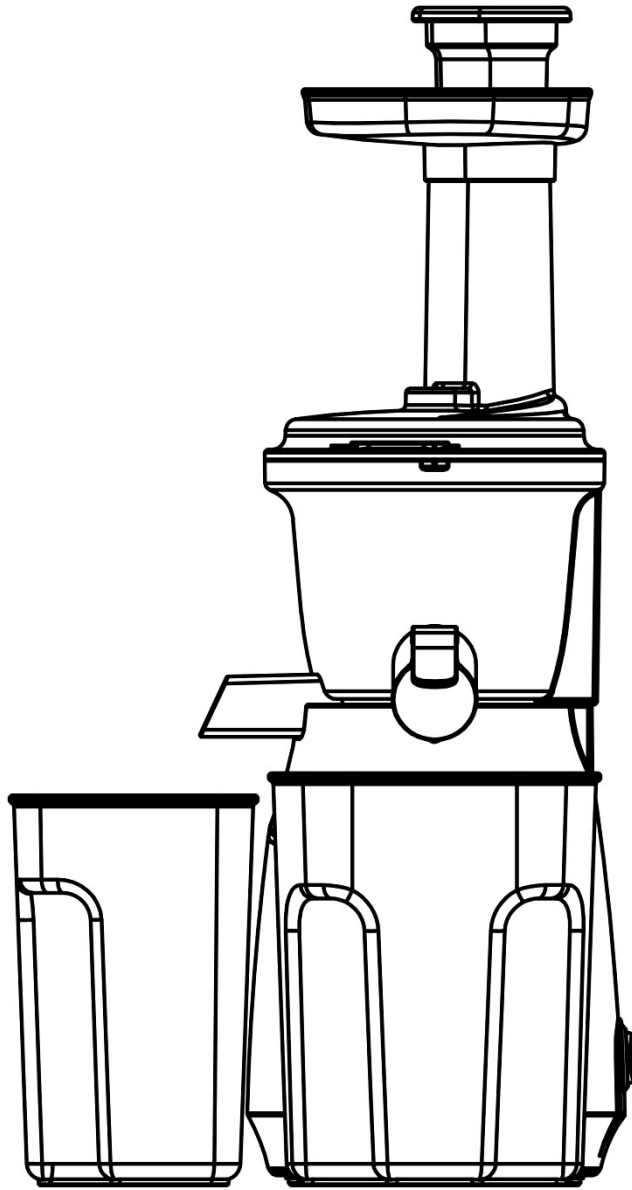


INSTRUCTION MANUAL



Model No.: JE-B12

AC220V~ 50Hz 150W

How to use fruit

In order to ensure the service life of the product and improve the juice efficiency, please operate according to the following methods. If you do not operate according to the following methods, the product may be damaged.

Please rest for at least 30 minutes before pressing the next time:

Food ingredients	Food material treatment	Delivery rate and method (the slower the rate, the better the juice is)	Total amount of food materials input	Total juicing time
Watermelon, pitaya and other soft fruits	Peeled and cut into proper size for feeding port	Put a piece or 30g in 5s	≤2KG	≤10min
Mango, peach and other fruits with core	<u>The core must be removed and cut into a proper size for feeding</u>	Put a piece or 30g in 5s	≤2KG	≤10min
Oranges, lemons, pomegranates, etc	<u>The peel must be removed and cut into a proper size for feeding</u>	Put a piece or 30g in 5s	≤2KG	≤10min
Apple, pear.etc	Cut into proper size of feed port	Put a piece or 30g in 10s	≤2KG	≤10min
Leek, wheat grass, spinach and other slender vegetables	cut into 50mm piece	Put a piece or 30g in 10s	≤2KG	≤10min
Carrot, ginger, celery and other hard or with fiber fruits and vegetables	Carrot: cut into 10 mm * 10 mm long strips; Ginger: cut into 5 mm slices and cut off the fiber; Celery: cut into 15mm pieces and cut off the fiber;	Put a piece or 30g in 15s	≤1.5KG	≤10min
Soybean	Soak in water more than 12h	Put 50g soybean in 5s and a litter water	≤1.5KG	≤10min
<u>Ingredients that can't be used for juicing</u>	<u>Grains, nuts, sugar cane, etc., very hard ingredients</u>			

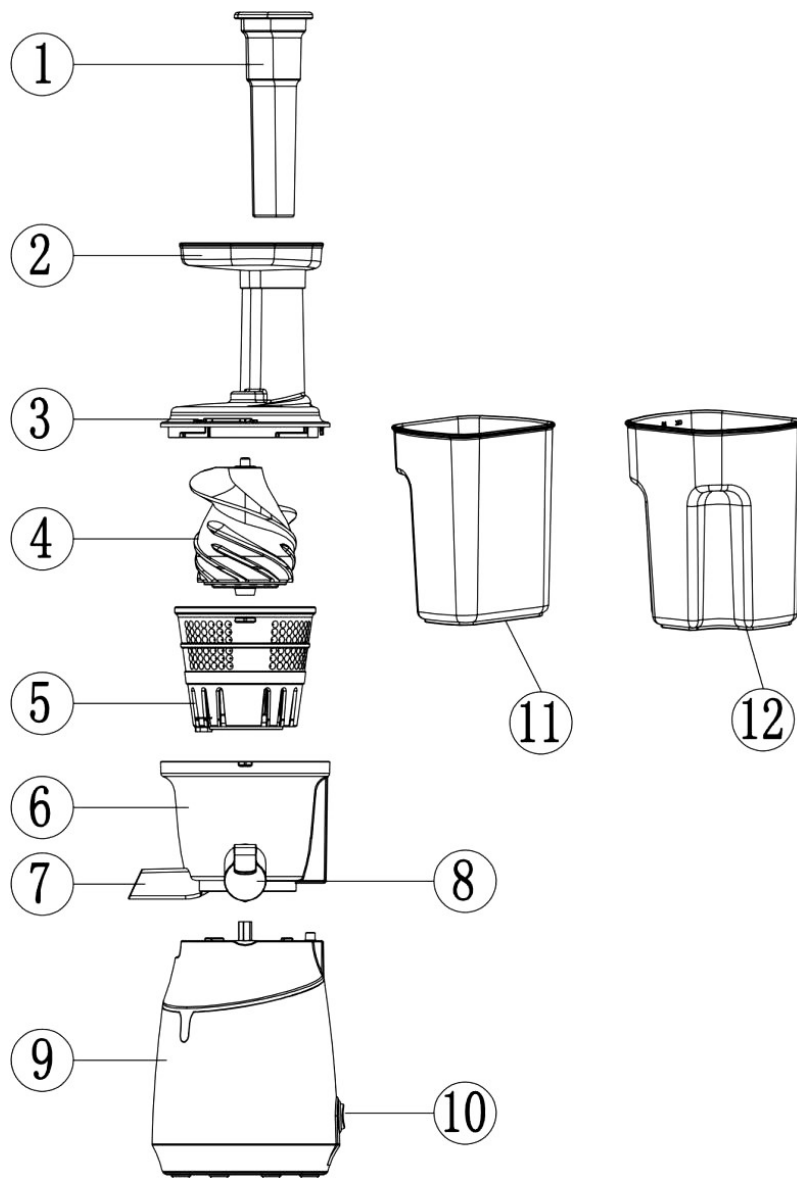
Important Safe Instruction

FOR HOUSEHOLD USE ONLY.

WARNING: when using electrical appliances especially when children are present, basic safety precautions always be followed to reduce the risk of fire, electric shock, and/or injury to persons, including the following:

1. Read all instruction carefully before using.
2. **To prevent electric shock, do not put the main body into water (because there is a motor), and do not give it to children.**
3. Children should be supervised to ensure they do not play with appliance.
4. Do not operate any appliance with damaged cord or plug or after the appliance malfunctions, or it is dropped or damaged in any manner, return the appliance to nearest authorized service agent for examination, repair or electrical or mechanical adjustment.
5. If the supply cord is damaged, it must be replaced by manufacturer or its service agent or similar qualified person in order to avoid hazard.
6. Always unplug when it is not in use or before assembling or taking off parts or cleaning.
7. Forbid to touch moving parts.
8. Do not use any attachments which is not supplied by manufacturer, otherwise it may lead to fire, electrical shock or other injury.
9. Always ensure to switch off appliance and motor has been stopped completely before disassembling.
10. Do not put your fingers or any other things into the juicer when it is working. If food was been stuck in the inlet, use pusher to push it down or use reverse switch to unstuck. If this manner can not help you to solve the problem, then to stop juicer immediately and after ensure the motor is stopped completely to disassemble appliance to move food.
11. Do not use appliance outdoor.
12. Do not use appliance for other intended purpose.
13. Do not use the appliance more than **10min** constantly to avoid motor is damaged. Use it until appliance is cool (30min).
14. This appliance is not intended for use by persons(including children)with reduced physical, sensory or mental capabilities, or lack of experience and knowledge, unless they have been given supervision or instruction **to use the appliance by a person who is responsible for their safety.** Children should be supervised to ensure that they do not play with the appliance.
15. Switch off the appliance and unplug from socket before changing accessories or approaching parts that move using.

Features



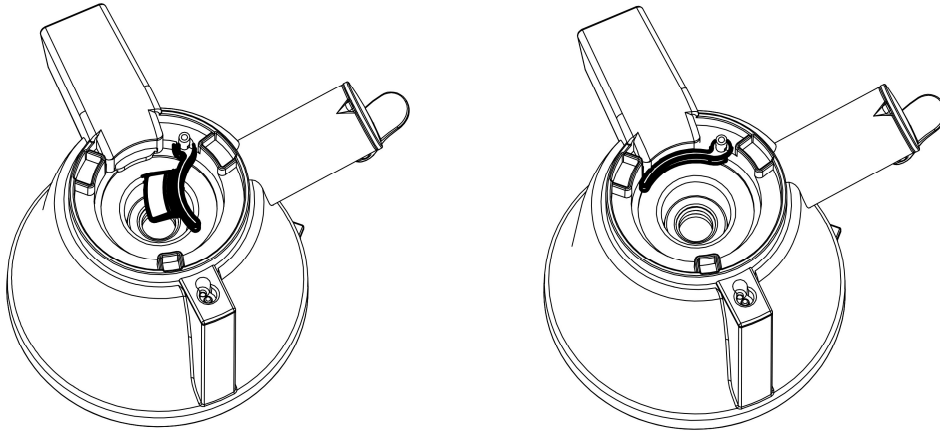
No.	Name	No.	Name	No.	Name
1	Pusher	2	Tray	3	Cover
4	Auger Head	5	Filter	6	Bowl
7	Pulp Ejection	8	Juice Spout	9	Base
10	Switch	11	Pulp Cup	12	Juice Cup

Assembling

Prior to assemble the juicer, please check this point: underneath the bowl, there is a rubber gasket which allows all the juice to only discharge from the juice spout. The rubber gasket is removable, simple grab at one side of the rubber pad and pull out.

The left picture shows the rubber gasket is open, the right picture shows the rubber gasket is close. (As shown below)

Attention:the rubber gasket must be closed well, otherwise,the juice will leak.

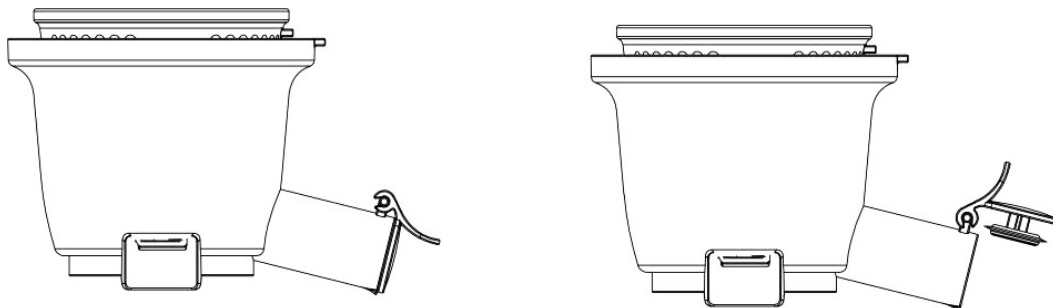


Prior to assemble the juicer, please check this point: the juice spout should be open while it is extracting.

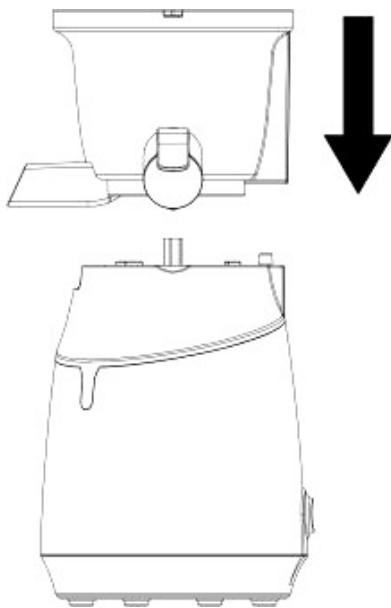
The left picture shows the juice spout is closed, the right picture shows it is open.

(As shown below)

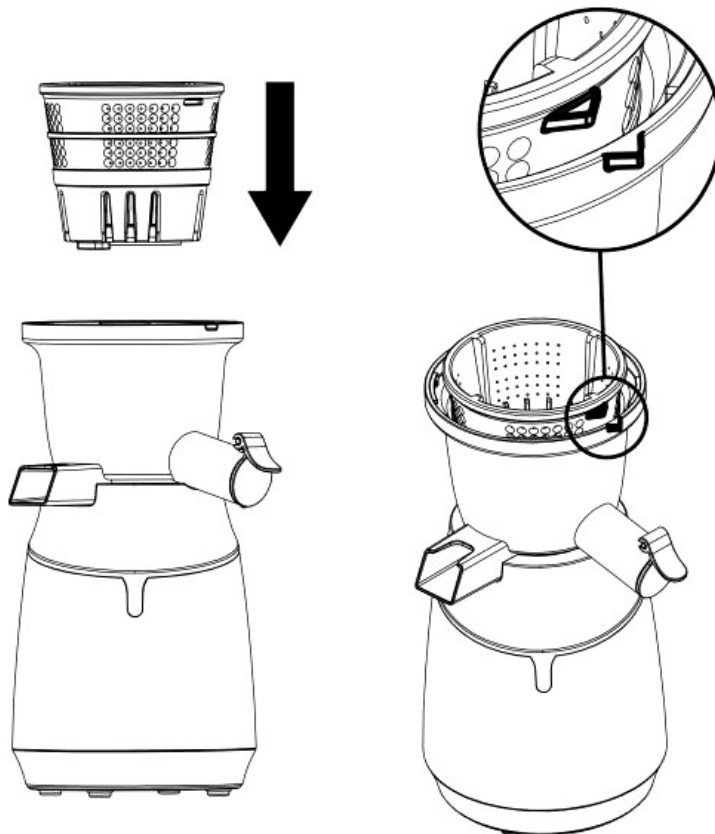
Attention: the juice spout should open while it is extracting juice.



1. Install the bowl onto the base, followed by the arrow direction. (As shown below)



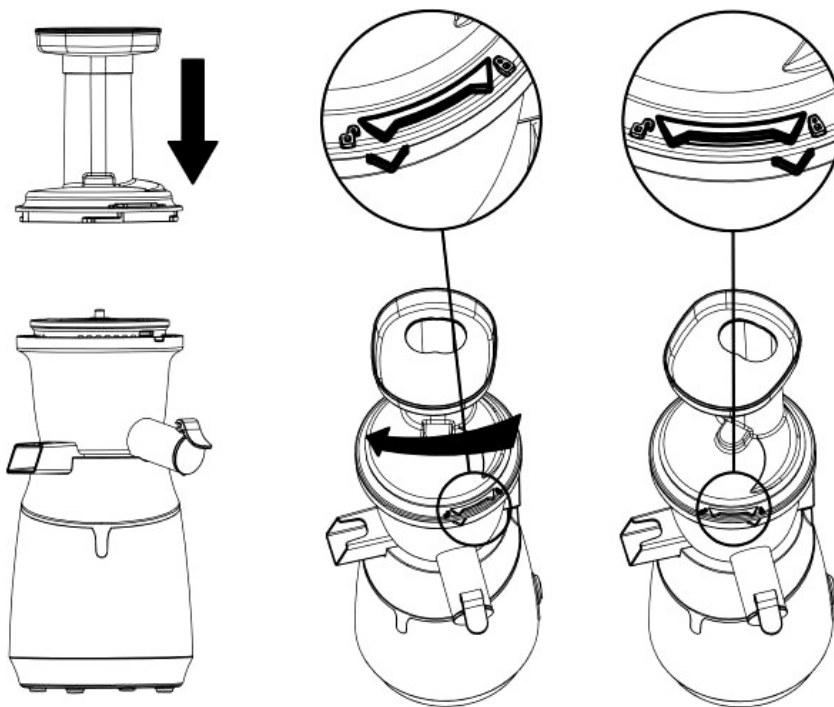
2. Align the triangle arrow of filter to the arrow on the bowl, and fix the filter into the base. (As shown below)



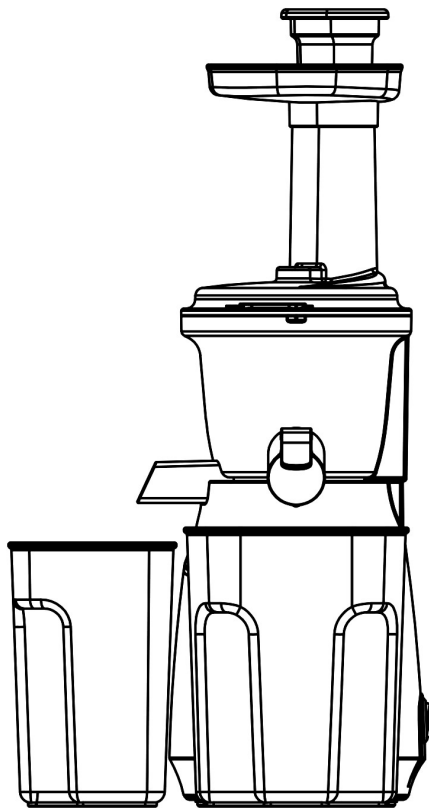
3. Insert the auger head into the bowl, make sure the auger head's axes tightly be fixed on the base's axes. (As shown below)



4. Assemble the cover onto the bowl, followed by the arrow direction. Align the lock slot of cover to the arrow of bowl, then clockwise rotate the cover to fix it on the bowl tightly. (As shown below)



5. Put the pulp cup under the pulp ejection and juice cup under the juice spout.
(As shown below)



Operating Instructions

Attention:

Start up the appliance prior to inputting materials.

Do not operate appliance more than **10min** at one time.

1. Plug in appliance.
2. Place cups under pulp ejection and juice spout.
3. Know of switch: ON/O/REV, see switch button on product.

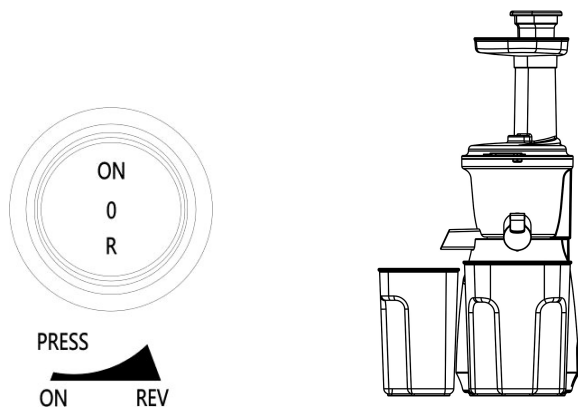
ON-Starts the motor and juicing process.

O-Switch off appliance.

R-Reverse rotation, only use the function when something is stuck in the bowl and need to be unclogged.

★ **Warning:** Please do not shift the switch from ON to R directly, it must be shifted from ON to O to R and conversely, otherwise, the machine will be damaged.

★ **Warning:** please do not operate the juicer with wet hands.



1. Wash and prepare fruits and/or vegetables: using the pusher push them into the feed inlet.

Attention: 1/. all the fruits and vegetables are fresh.

2/. the frozen fruits and vegetables must be immersed in water for more than 10min.

3/. the fruits with pips, must remove the pips before extracting the juice.

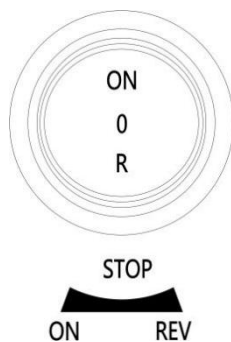


2. The materials are stuck or clogged, press O first, then press R, which can push forward the food that are stuck in the auger head, then press ON, the juicer can be recovered.(repeat operations can be made for several times, but operations can't be made continuously, time interval: 3 seconds)

- * It is in R, please use your hand to hold the hopper(in order to prevent the losing)
- * It still doesn't work after the above operations, the hopper may in a loose way. Please tighten it.
- * Regarding the carrot and some hard materials, please slice them before extracting.
- * When extracting juice is over, switch it off and unplug from power socket.

Warning: It can't keep the fresh juice for a long time.

The juicer is not suitable for smashing the grains.(It may damage the motor)



Warning: do not shift switch from ON to R directly, it must be shifted from ON to O to R and conversely. Otherwise the machine will be damaged.

Disassembling & Cleaning

1. Ensure the juicer is switched off and the power cord is unplugged.
2. Remove the pulp cup and juice cup.
3. As per steps of assembling to be reverse method to disassemble all parts of juicer one by one.
4. Use brush to clean all parts under water tap.
5. Use damp cloth to wipe base, make sure do not let any liquid go into the base.
6. Remove the cover by turning it to open position.

Troubleshooting

Problem	Possible Cause	Solution
No power to work	<ul style="list-style-type: none"> ◆ Hopper is not installed properly ◆ Bowl is not installed properly ◆ Juicer is not plugged in correctly 	<ul style="list-style-type: none"> ● Re-assemble hopper correctly ● Re-assemble bowl correctly ● Check the juicer to plug in tightly.
Motor is stopped during working.	<ul style="list-style-type: none"> ◆ The hopper is loose ◆ The power card is not plugged properly ◆ Too much materials input at one time ◆ The hard materials is not chopped up 	<ul style="list-style-type: none"> ● Check whether the hopper is installed well ● Plug well ● Press "R" button for 2-3 seconds to make the inside material return upwards, then press the "on" button. Repeat this operation about 3 times. If still stop, please clean the machine, and operate it again after half an hour ● Hard fruits and vegetables, such as carrots, are cut into thin strips and pressed for juice
Low volume of juice or juice leak from the mainframe	<ul style="list-style-type: none"> ◆ Put materials too quickly ◆ The materials are in refrigerator too long time, moisture loss ◆ The gasket of the bowl don't install tightly 	<ul style="list-style-type: none"> ● Operate according to the product juicing instructions ● The material can be soaked in clear water and then juiced, the amount of juice will increase ● Please refer to the installation method of silicone pad and reinstall it.
Squeaking noise during working.	<ul style="list-style-type: none"> ◆ Parts are improperly installed ◆ The machine is used in an inclined position ◆ The parts make a squeeze sound when juicing 	<ul style="list-style-type: none"> ● Stop the machine, Check the parts whether install well ● Operate on a horizontal plane ● That is the sound of fruit and vegetable extrusion when parts work, please rest assured to use
Containers and accessories are dyed after using	<ul style="list-style-type: none"> ◆ The dregs adhered to the container ◆ Juicing with pigmented materials such as carrots and spinach can easily stain containers and parts 	<ul style="list-style-type: none"> ● Automatically clean the device after using ● It is normal if there leave the color after pressing carrots, but it will disappear after juicing with another ingredient

Technical Data

Input voltage: AC220-240V

Frequency: 50-60Hz

Power: 150W

Speed: DC motor 50RPM±10%

Max Operation Time: less than 10min

Accessories

Name	Quantity	Name	Quantity	Name	Quantity	Name	Quantity
Pulp Cup Juice Cup	2	Pusher	1	Manual	1	Brush	1