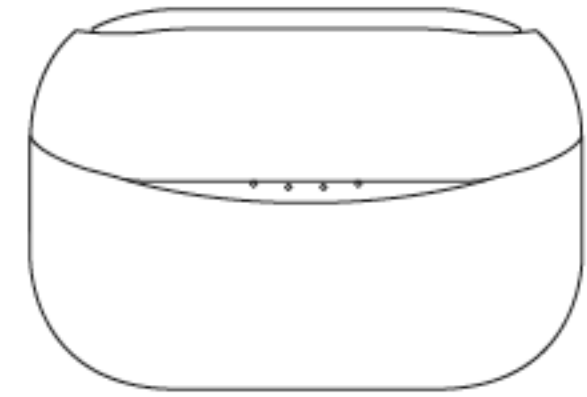




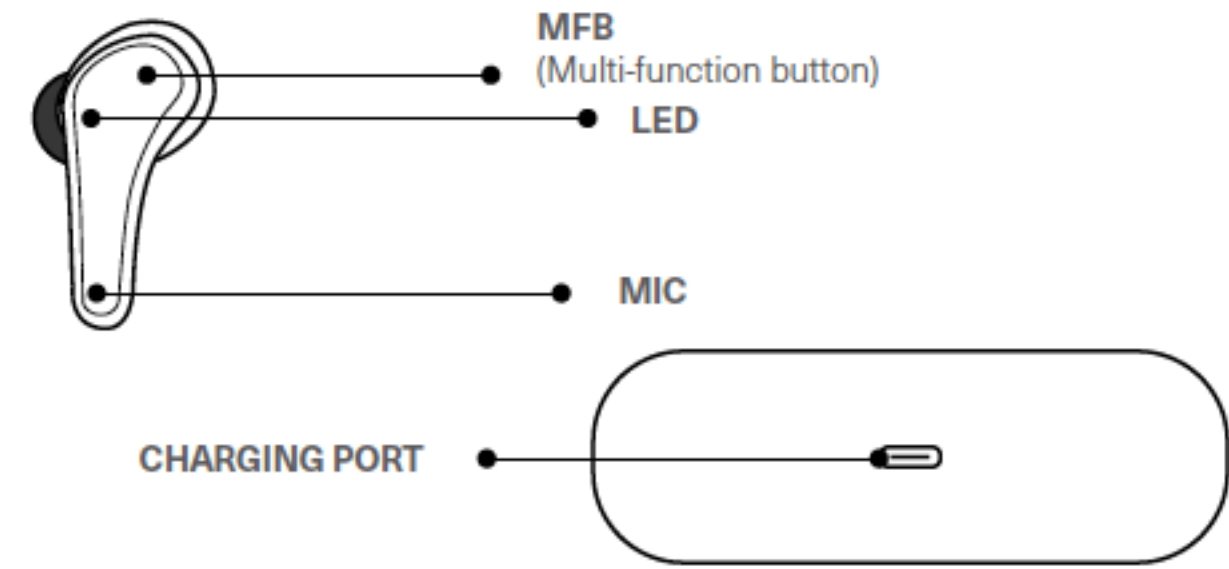
TWS WIRELESS EARPHONES USER GUIDE



CONTENTS

- Wireless earphones
- Charging case
- USB Type-C charging cable
- Spare ear tips
- Warranty & User guide

CONTROL OVERVIEW



SAFETY INSTRUCTIONS: Read all the instructions carefully before using the product and keep them for future reference.

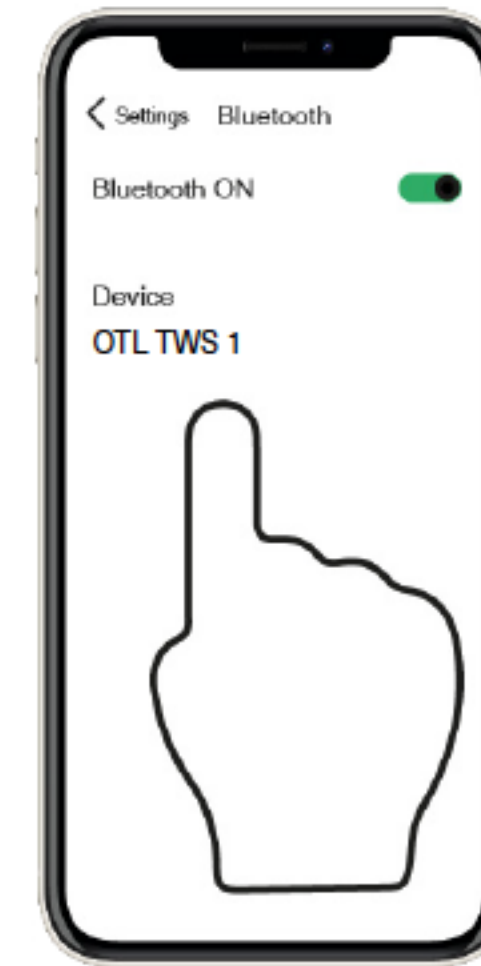
- Wearing headphones limits your ability to hear noises around you, regardless of the volume level. Use with caution and consideration.
- Do not immerse in water.
- Unsuitable for use by children under the age of 3 due to small parts which may cause choking.
- Do not use these earphones whilst operating machinery, driving, riding a motor-bike or bicycle, or in situations where an inability to hear surrounding noise may present a danger to yourself or others.
- The device may become warm while charging.
- Set volume to low before turning on sound.
- Long-term exposure to loud noise may cause damage to eardrums or loss of hearing.

FIRST TIME USE/PAIR TO NEW DEVICE



Take both earpods out from the charging case, then put them back to the charging case to activate the earpods.
 Note: please charge your earpods before first time use (see "Charging Earpods" and "Charging Case" for details).

PAIR WITH BLUETOOTH DEVICES



The Bluetooth device should automatically start searching for the new play device (some may require you to select "search for/add new device")

1. Turn Bluetooth function on in the settings of your Bluetooth enabled device.
2. Turn the earpods on by taking both earpods out from the charging case.
3. The LED indicator light will flash on one of earpods to detect Bluetooth enabled devices near you and will enter pairing mode.
4. "OTL TWS1" will appear on the Bluetooth device list, select "OTL TWS1" to establish pairing.
5. When pairing is successful, the LED on both earpods will flash BLUE.

When you want to play audio from another Bluetooth device, disconnect the earpods from the original device and follow steps 1-5 to re-pair the earpods with a new Bluetooth enabled device.

FUNCTIONS



- PLAY / PAUSE**
When listening to music, touch right/left earpod twice to play/pause.
- SKIP TRACK FORWARD/BACKWARD**
Whilst listening to music, press the right earpod for 2 seconds to forward to the next track, or press the left earpod for 2 seconds to go backwards to the previous track.
- REJECT CALL**
Press MF button on right/left earpod for 2 seconds to reject the incoming call.
- ANSWER CALL/HANG UP CALL**
Touch the right/left earpod twice to answer the incoming call and touch twice again to hang up.
- VOICE ASSISTANT**
Touch right/left earpod three times to activate voice assistant (i.e. Siri or Google Assistant)

POWER-ON

Take both earpods out from the charging case and both earpods will be automatically power on (make sure the charging case is charged).

POWER OFF

Put both earpods back into the charging case, it will automatically power off (the LED indicator on earpods flashes RED twice and the LED indicator on charging case will flash solid once the earpods are back in the case).

CHARGING

When the battery is low, please charge via the included type C USB cable. The earpods playtime is approximately 6 hours on a single charge. The charging case can fully recharge the earpods approximately 3 times, but when the charging pod indicates the battery is low please charge via the included type C USB cable for 2 hours for a full charge.

CHARGING THE EARPODS

Insert the earpods into the charging case, the LED light will be solid RED when charging. once fully charged, the RED LED will turn BLUE for 1 minute then the LED light will be turned off.

CHARGING THE CASE

Please charge your charging case before first time use. Ensure to charge via the provided type C cable. The LED indicator light will be flashing during charging and will turn on solid once it is fully charged. When the battery is low, only the left LED indicator light will flash.

CHANGING EAR TIPS

To remove an ear tip, pull firmly with your fingers at the base of the ear tip. To attach an ear tip, with your fingers at the base of the ear tip, push the ear tip onto the connector until it clicks into place. For more tip sizes, see inside box.

TROUBLESHOOT

If an error occurs with the earpods, please follow the steps below:

1. Take one of the earpods out of the charging case
2. The LED light will flash with BLUE and RED quickly, press the MF area for 6 seconds. The RED LED light will go off after 1 second.
3. Put the earpod back into the charging case
4. Take the other earpod out from the case and follow steps 1-3.
5. Take both earpods out from the charging case, search for "OTL TWS1" from Bluetooth enable device while one of earpod will flash RED and BLUE alternatively.

When the earpods power is low, the Bluetooth range may be affected. Please charge the earpods to avoid disruption during use. Please see our website www.otltechnologies.com for general troubleshooting method instructions.

PRODUCT GUARANTEE AND SAFETY INFORMATION

WARRANTY:

This product is warranted against defective materials and workmanship. If the warranty service is required, you should return the product to the retailer from where it was purchased. If the item was purchased in the United Kingdom, the guarantee period is for 12 months from the date of purchase. If it was purchased in the EU, then the guarantee period is 24 months from the date of purchase.

WARRANTY CONDITIONS

1. This warranty is only valid if, when warranty service is required, the original invoice or sales slip is produced, and the serial number on the product has not been defaced.

2. The manufacturer's obligations are limited to the repair or, at its discretion, replacement of the product or the defective part.
3. Warranty repairs must be carried out by an authorised dealer or authorised service centre. No reimbursement will be made for repairs carried out by non-authorised parties, and any such repair work or damage to the product caused by such repair work will not be covered by the warranty.
4. This product will not be considered to be defective in materials or workmanship by reason that it requires adaptation in order to conform with national or local technical or safety standards in force in any country other than those for which it was originally designed and manufactured. This warranty will not cover, and no reimbursement will be made for, any such adaptation, nor any damage which may result from it.
5. This warranty covers none of the following:
 - Maintenance and repair or replacement of parts due to normal wear and tear.
 - Cost relating to transport, removal or installation of the product.
 - Misuse (including the failure to use this product for its normal purpose) or incorrect installation.
 - Damage caused by lightning, water, fire, Acts of God, war, public disturbances, or other causes beyond the control of the manufacturer.
6. This warranty is valid for any person who legally acquired the product during the warranty period.
7. The consumer's statutory rights under any applicable legislation, whether against the retailer or the manufacturer, and whether arising under contract or otherwise, are not affected by this warranty.

WARNING

- This product is not a toy.
- Keep the earphones and charging case dry.
- Do not disassemble, repair, or modify the earphones and charging case.
- Do not store the earpods in extreme temperatures, this can shorten the battery life and may affect the headphones.
- Do not place product in or near fire to avoid danger, as it uses a lithium battery.
- Avoid using the indicator close to the eyes of children or animals.
- Do not use earpods during a thunderstorm to avoid irregular function and increased risk of electric shock.
- Do not use harsh chemicals or strong detergents to clean the earphones
- Avoid dropping the earphones and the charging case as it may cause damage to the product.

IMPORTANT! Listening at high volume for long periods of time can result in long-term hearing damage. For your safety, do not use headphones in situations where an inability to hear surrounding noise may present a danger to yourself or others.

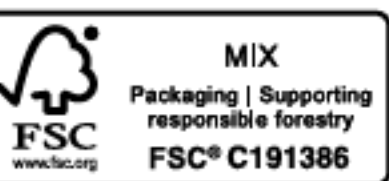
INFORMATION ON DISPOSAL FOR USERS OF WASTE ELECTRICAL & ELECTRONIC EQUIPMENT (PRIVATE HOUSEHOLD)

This symbol on the products and/or accompanying documents means that used electrical and electronic products should not be mixed with general household waste. For proper treatment, recovery and recycling, please take these products to designated collection points, where they will be accepted on a free of charge basis. Alternatively, in some countries you may be able to return your products to your local retailer upon the purchase of an equivalent new product. Disposing of this product correctly will help to save valuable resources and prevent

any potential negative effects on human health and the environment which could otherwise arise from inappropriate waste handling. Please contact your local authority for further details of your nearest designated collection point. Penalties may be applicable for incorrect disposal of this waste, in accordance with national legislation.



www.otltechnologies.com | info@otltechnologies.com
 Made in PRC
 Oceania Trading Ltd/OTL Technologies
 1B Yukon Road, London SW12 9PZ, UK
 Hullenbergweg 278-308, 1101 BV Amsterdam, Zuid-oost, NL



The Bluetooth® word mark and logos are registered trademarks owned by Bluetooth SIG, Inc. and any use of such marks by Oceania Trading Limited (OTL) is under license. Other trademarks and trade names are those of their respective owners.