

105

moa

**Model:** MOAWC40

**Serial number:** 0324

**Net Volume:** 37L

**Climate class:** N

**Voltage:** 100-240~ 50/60Hz

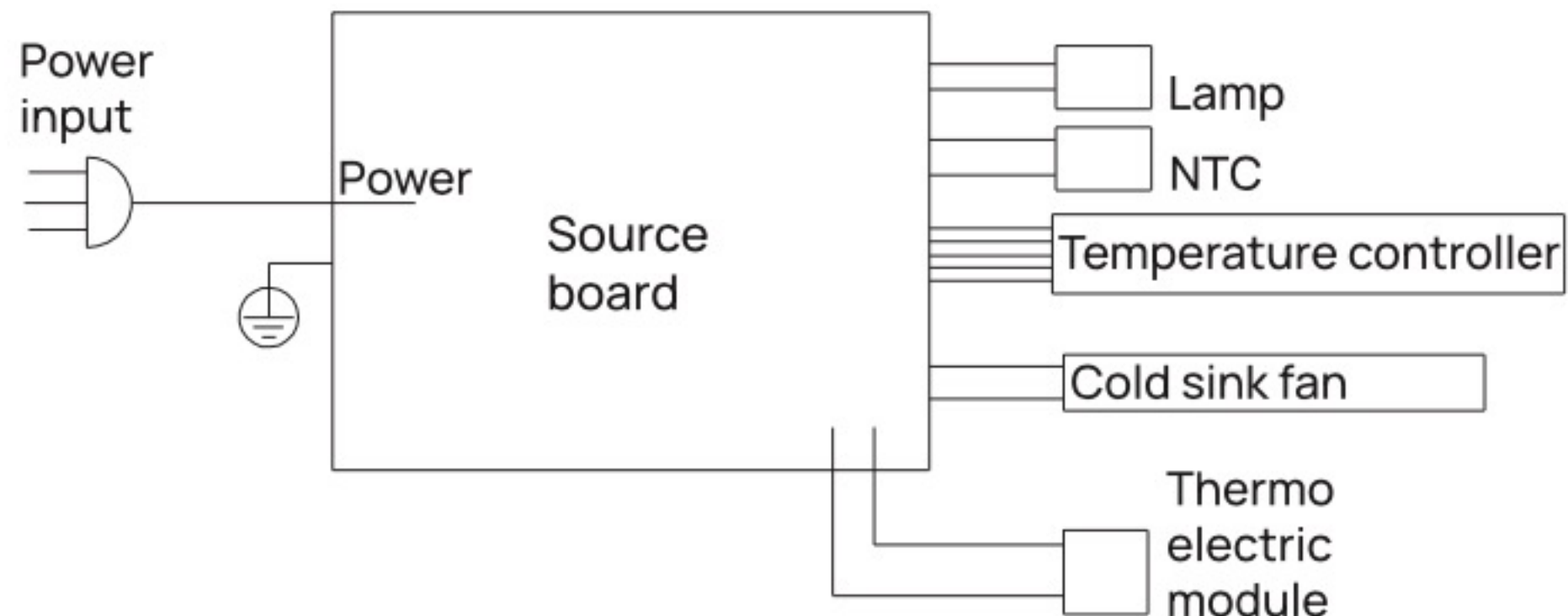
**Rated power:** 55W

**Coolant:** R600a/25g

**Foaming gas:** Cyclopentane

**Designed & Engineered by MOA in Amsterdam**

**Made in China**



CE

