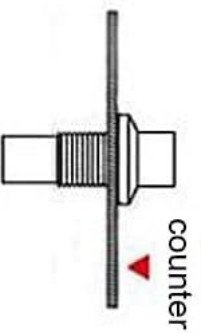
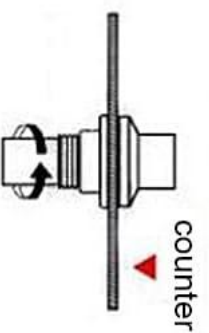


INSTALLATION

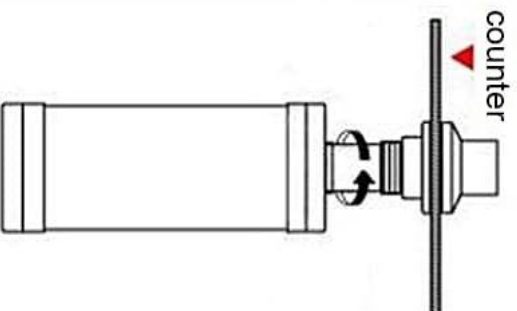
1 put the threaded hose in the hole



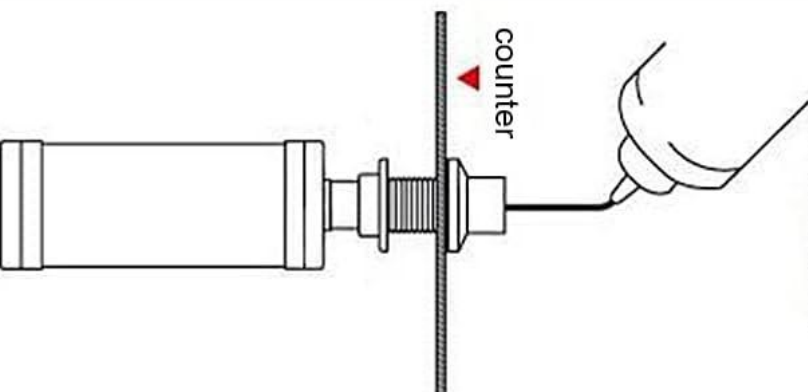
2 screw in the threaded hose and tighten



3 screw the bottle



4 pour the liquid soap in the bottle



5 put the pump head in and push down

