

SENCOR®

SWK 1715SS



EN ■ Electric kettle

Translation of the original manual

READ CAREFULLY AND STORE FOR FUTURE USE.**General warnings**

- This appliance may be used by children 8 years of age and older and by persons with physical or mental impairments or by inexperienced persons, if they are properly supervised or have been informed about how to use the product in a safe manner and understand the potential dangers.
- Cleaning and maintenance performed by the user must not be performed by children unless they are older than 8 years of age and under supervision.
- Keep the appliance and its power cord out of reach of children younger than 8 years of age.
- Children must not play with the appliance.
- In the event that the power cord is damaged, have it repaired at a professional service centre to prevent causing a dangerous situation. It is forbidden to use the appliance if it has a damaged power cord.
- This appliance is designed for domestic use and similar locations such as:
 - kitchens in stores; offices and other workplaces;
 - in agriculture;
 - for guests of hotels, motels and other similar locations;
 - in bed and breakfast establishments;
- Never wash the appliance under running water or submerge it in water or another liquid.
- If the electric kettle is overfilled, then boiling water could splash out.

**Warning:**

Do not open the lid of the kettle when it is running and while water is boiling.

**Warning:**

Do not spill anything on the power plug.

- The surfaces of the appliance that come into contact with food must always be cleaned according to the instructions in this user's manual.

**Warning:**

Incorrect use may lead to injuries.

- The surface of the heating element retains residual heat after use.

ELECTRICAL SAFETY

- Before connecting the kettle to a power socket, check that the voltage stated on the rating label matches the electrical voltage in the socket.
- Connect the kettle only to a properly grounded socket.

**Attention:**

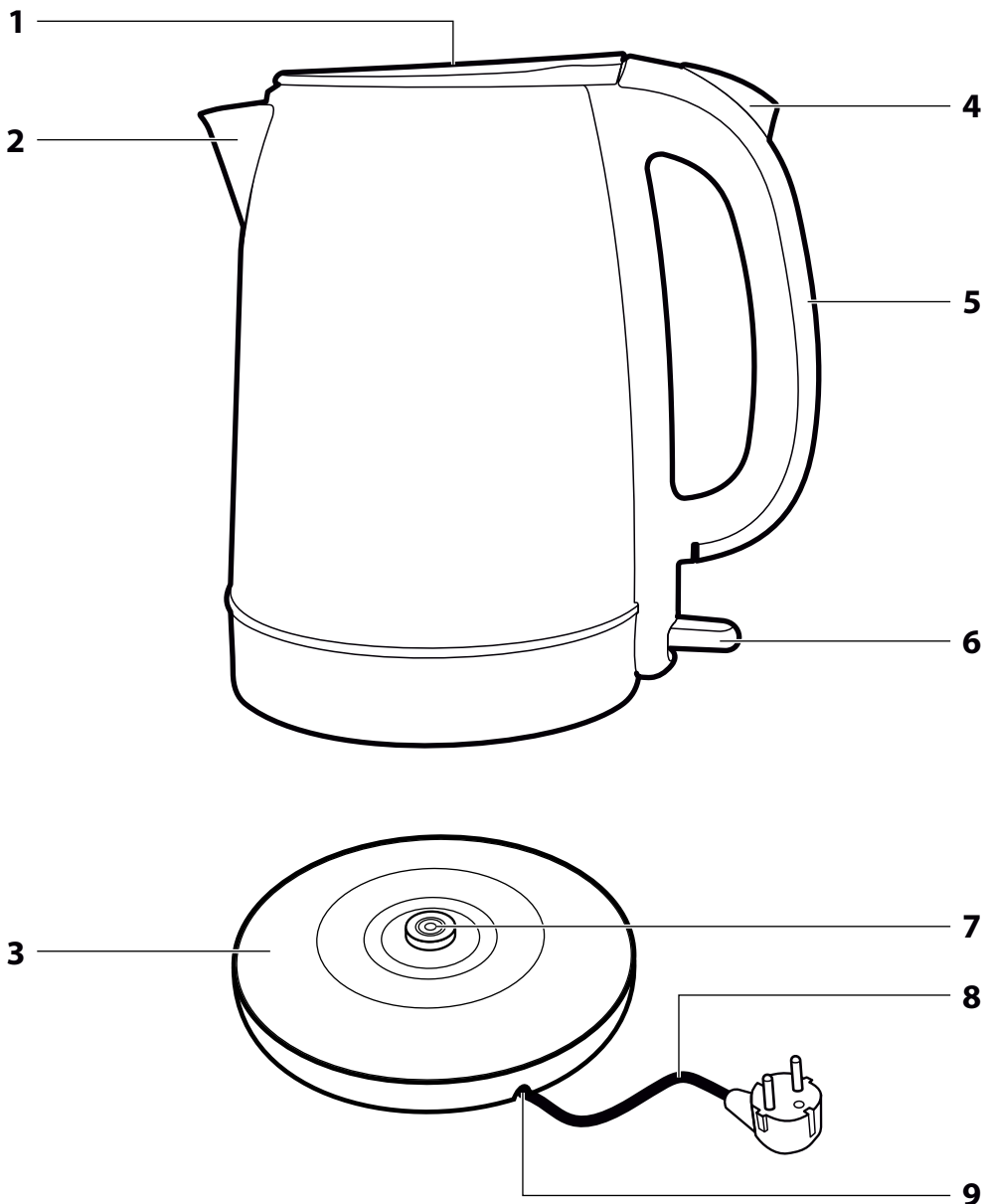
This kettle is not designed to be controlled using a programmed device, external timer switch or remote control.

- Never use the kettle in the near vicinity of a bath, shower or swimming pool.
- Do not wash the kettle or its base stand under running water and do not submerge it or its base stand in water or another liquid.
- Always disconnect the kettle from the power socket when not using it or before moving or cleaning it.
- Ensure that the power cord does not come into contact with water or moisture.
- Take care not to spill water on to the connector when placing the kettle on to the base stand and when taking it off the base stand.
- Do not place heavy items on the power cord. Make sure that the power cord does not hang over the edge of a table and that it is not touching a hot surface.
- Do not disconnect the kettle from the power socket by pulling on the power cord. This could damage the power cord or the power socket. Disconnect the cord from the power socket by gently pulling the plug of the power cord.
- If the power cord is damaged, have it replaced at a specialised service centre. It is forbidden to use the kettle if it has a damaged power cord or plug.
- To avoid the danger of injury by electrical shock, do not repair the kettle yourself or make any adjustments to it. All repairs of this kettle should be carried out at an authorised service centre. Tampering with the appliance during the warranty period may void the warranty.

SAFETY DURING USE

- Do not place the kettle on window sills or on unstable surfaces. Always place the kettle on a stable, even and dry surface.
- Only use the kettle with the base stand that was supplied with it. Do not use the base stand supplied with this kettle for other types of kettles.
- Use the kettle only for boiling water.
- Although the kettle is protected against damage caused by accidentally turning it on without water, do not use it empty. Incorrect use may negatively affect its working order and lifetime.
- Always take the kettle off the base stand before filling it.
- Check that the lid is securely closed before starting the kettle. Do not open the lid or handle it in any way while the water is boiling.
- The body of the kettle heats up while water is boiled. Do not touch the hot surface. This could cause skin burns. Use the handle for lifting and carrying the kettle.
- Do not place any items or kitchen utensils (e.g. spoons for stirring and serving food) into the kettle while it is boiling water or maintaining a temperature (depending on the kettle model).
- Pay extra attention when handling a kettle filled with hot water.
- Be especially careful when pouring water out of the kettle to avoid scalding by the boiling water or steam.
- Do not place the kettle on an electric or gas stove or in its vicinity, do not place it in the vicinity of an open fire or an appliance that is a source of heat.
- Clean it according to the instructions in chapter Cleaning and maintenance.
- Do not use the kettle when it is not functioning correctly or after it has fallen on the floor, been submerged in water or is showing visible signs of damage or if leaking. Hand it over to an authorised service centre for inspection or repair.

A



EN Electric kettle

User's manual

- Prior to using this appliance, please read the user's manual thoroughly, even in cases, when one has already familiarised themselves with previous use of similar types of appliances. Only use the appliance in the manner described in this user's manual. Keep this user's manual in a safe place where it can be easily retrieved for future use. In the event that you hand this appliance over to somebody else, make sure to also include this user's manual.
- Carefully unpack the appliance and take care not to throw away any part of the packaging before you find all its parts. We recommend saving the original cardboard box, packaging material, purchase receipt and responsibility statement of the vendor or warranty card for at least the duration of the legal liability for unsatisfactory performance or quality. In the event of transportation, we recommend that you pack the appliance in the original box from the manufacturer.

DESCRIPTION

A1 Lid	A6 Backlit On/Off switch
A2 Spout with filtration strainer (inside)	A7 Central connector
A3 Base stand	A8 Power cord
A4 Open lid button	A9 Power cord groove
A5 Handle	

BEFORE FIRST USE

- Remove all wrapping material from the electric kettle and its base stand.
- Fill the kettle with clean water up to its maximum water mark (MAX). Boil the water and empty the contents of the kettle. Repeat this process 2 to 3 times. To boil water, proceed according to the instructions in chapter Operation.

OPERATION



Attention:

The electric kettle is intended only for heating water. Never heat any other liquids or substance in it.

- Set the required power cord length and push it into the groove in the base stand. Place the base stand on a stable, even and clean surface.
- Fill the kettle with the required amount of water. You may fill it through the spout or through the opening after lifting the lid. To open the lid, press button **A4**. The water level must reach at least the minimum mark (MIN) but must not exceed the maximum mark (MAX). After filling the kettle, properly close the lid.



Attention:

Never fill the kettle when it is placed on the base stand.

- Place the kettle on the base stand. Insert the power plug into a power socket and push down on the switch **A6** to start the kettle. The backlight of the switch will be lit.



Attention:

Never start the kettle empty without water. The incorrect use of the kettle may negatively affect its working order and lifetime.

- When the water starts to boil, the kettle will turn off automatically and the backlight will turn off.



Note:

The kettle can be stopped at any time by setting the switch **A6** up (off).

- Pour the boiled water into a prepared container, cup or mug. When carrying it, hold the kettle upright, particularly when it is filled all the way up to the maximum mark.
- If you wish to fill the kettle again and start heating immediately after pouring in the water, wait approximately 30–60 seconds. When opening the lid, be especially careful to avoid scalding yourself with boiling water or steam.
- After you finish using it, disconnect the power cord from the power socket. Empty the kettle and allow it to cool down.

PROTECTION AGAINST BOILING WITHOUT WATER

If you accidentally turn on the kettle without water, the thermostat will, after reaching a certain temperature, interrupt the electric circuit. The switch **A7** will return to the raised "off" position and the backlight will turn off. The kettle can be used again after several minutes, once the heating bottom has cooled down.



Attention:

Even though the kettle is equipped with protection against boiling without water, do not turn it on when empty. The incorrect use of the kettle may negatively affect its working order and lifetime.

CLEANING AND MAINTENANCE



Attention:

Prior to any cleaning or maintenance, always disconnect the base stand from the power socket and allow the kettle to cool down. Do not wash the kettle, its base stand or power cord under running water and do not submerge them in water or another liquid.

- To clean the external parts of the kettle, use a dry cloth or a cloth dipped in a weak solution of neutral kitchen detergent. Never use solvents, cleaning products with an abrasive effect, etc. After washing, wipe the surface with a clean, lightly dampened cloth and then wipe dry.
- Wipe the internal parts of the kettle using a soft sponge or clean cloth dipped in clean warm water. Do not use detergents or any other chemical agents on the internal parts. After cleaning the kettle, rinse it out several times with clean water.
- To clean the base stand, use only a dry cloth.

Cleaning the filtration strainer

The removable filtration strainer serves to capture limescale, preventing it from getting into the cup together with the water. Regularly clean the filter under running water using a fine nylon brush or submerge it for several hours into a vinegar - water solution (recommended dilution ratio 1:2). After applying the solution, rinse the filter under clean running water.

Removing limescale deposits

- During normal use, substances contained in water accumulate on the appliance to form so-called limescale deposits. These may negatively affect the lifetime of the kettle and ruin the taste and appearance of your beverage, so it is important to regularly remove them based on how frequently the kettle is used.
- When using the kettle at a frequency of 3 to 5 times per day, we recommend to remove water scale deposits:
 - once per month in areas with hard and very hard water;
 - once every two to three months in areas with soft and medium hard water.
- Limescale deposits can be cleaned away using standard available limescale removal products (according to the manufacturer's instructions) or use:
 - 8% white vinegar, generally available in stores. Fill the kettle with 1 litre of water and ¼ litre of vinegar. Bring the solution to a boil and leave it to act in the kettle for 2 hours. Then empty the kettle and before further use, boil clean water in it four to five times.
 - citric acid. Boil 1 l of water in the kettle, then add 30 g of citric acid into the boiled water, and allow the solution to act for about 30 minutes. Then empty the kettle and before further use, boil clean water in it four to five times.

TECHNICAL SPECIFICATIONS

Rated voltage range	220–240 V
Rated frequency	50/60 Hz
Rated power input	1,850 – 2,200 W
Volume	1.7 l

Changes to text and technical parameters are reserved.

INSTRUCTIONS AND INFORMATION REGARDING THE DISPOSAL OF USED PACKAGING MATERIALS

Dispose of used packaging material at a site designated for waste in your municipality.

DISPOSAL OF USED ELECTRICAL AND ELECTRONIC EQUIPMENT



This symbol on products or original documents means that used electric or electronic products must not be added to ordinary municipal waste. For proper disposal, renewal and recycling, hand these products over to determined collection points. Alternatively, in some European Union states or other European countries you may return your products to the local retailer when buying an equivalent new product.

Correct disposal of this product helps save valuable natural resources and prevents potential negative effects on the environment and human health, which could result from improper waste disposal. Ask your local authorities or collection facility for more details.

In accordance with national regulations penalties may be imposed for the incorrect disposal of this type of waste.

For business entities in European Union states

If you want to dispose of electric or electronic devices, ask your retailer or supplier for the necessary information.

Disposal in other countries outside the European Union.

This symbol is valid in the European Union. If you wish to dispose of this product, request the necessary information about the correct disposal method from the local council or from your retailer.



This product meets all the basic requirements of EU directives related to it.