

PETKIT

P E T K I T

EVERSWEET SOLO INSTRUCTION MANUAL

Please read the User Manual carefully before using the product and keep it properly.

CONTENTS

User Notice	1
Safety Instructions	1
Parts List	2
Product Introduction	3, 4, 5
Before Installation of the Complete Machine	6
Installation of the Complete Machine	7, 8
Product Use	8, 9
Indicator Light Description	10
Maintenance and Cleaning	11, 12
FAQ	12, 13, 14
Basic Parameter Information	14

USER NOTICE

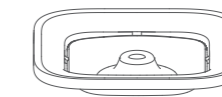
- Thank you for purchasing PETKIT EVERSWEET SOLO Smart Pet Drinking Fountain.
- Please read the User Manual carefully before using. Once the product is installed or used, it indicates that you have carefully read and accept the safety instructions below.
- Our company will neither assume any responsibility nor undertake any legal liabilities for any accidents and damages caused due to violations.
- The company reserves the right of explanation and revision for the terms.

SAFETY INSTRUCTIONS

- *Failure to comply with the following clauses may lead to that the product cannot be normally used or occurrence of other accidental losses.**
- Please install and use device in strict accordance with the Manual.
 - It is NOT suggested for young pets under three months to use this device alone.
 - Please use it indoors.
 - Even if when this device is in low-voltage mode, it will still cause electricity leakage if the pet chews the wire. Please guide your pets to use it correctly.
 - Please use original USB power cord, or the device will be damaged to produce potential safety hazards.
 - Place this device horizontally, and DO NOT overturn it, otherwise it will work abnormally or spill water.
 - It is prohibited to immerse or soak the bottom of the main machine of this product in water.
 - If the product is not used or is not moved for a long period of time, please unplug the power cord.
 - If child uses this device, please ensure that it is used under the guidance of adults.
 - Please repair under the guidance of professionals to avoid various injuries.
 - Be sure to check the remaining water in the Fountain before taking a minor vacation.
 - In case of product use problems, please contact customer service timely.

PARTS LIST

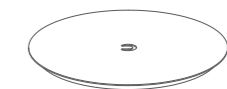
*Please confirm before installing and using the device.



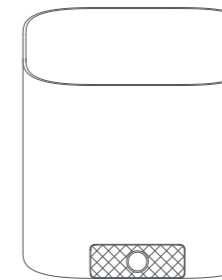
Drinking tray X 1



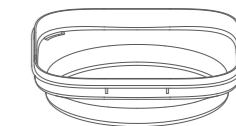
Outlet pipe X 1



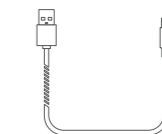
Filter unit X 1



Main machine X 1

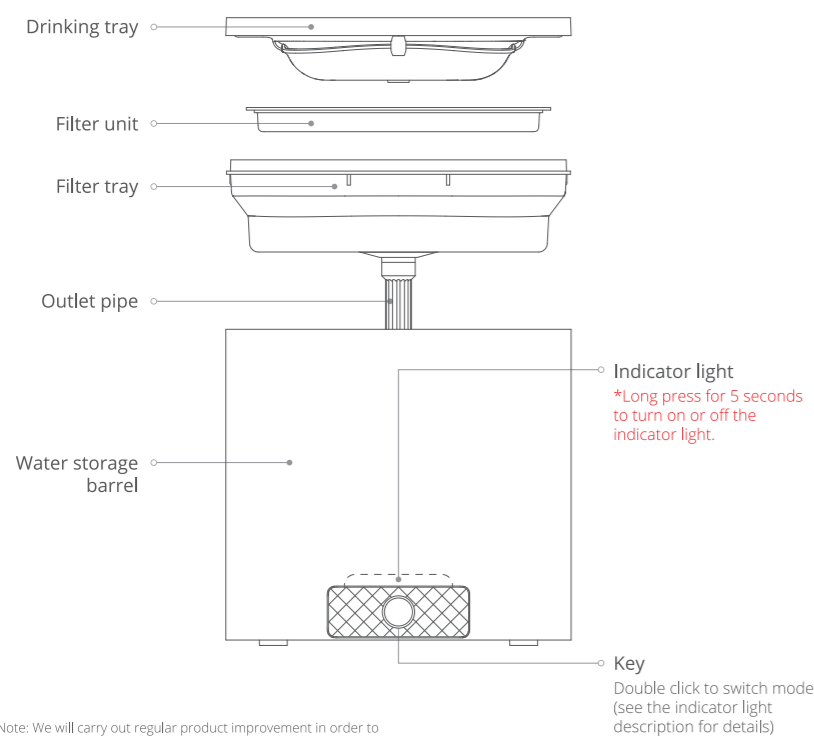


Filter element tray X 1



USB power cord (1.5m) X 1
(This product is not equipped with a power plug to support environmental protection.)

PRODUCT INTRODUCTION

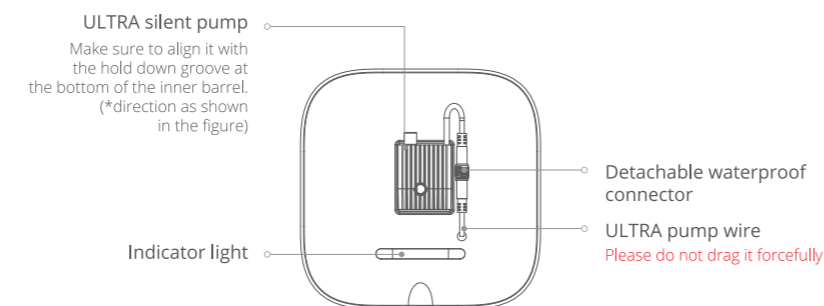


*Note: We will carry out regular product improvement in order to provide better products. When the product picture is slightly different from the actual product, the actual product shall prevail.

3

PRODUCT INTRODUCTION

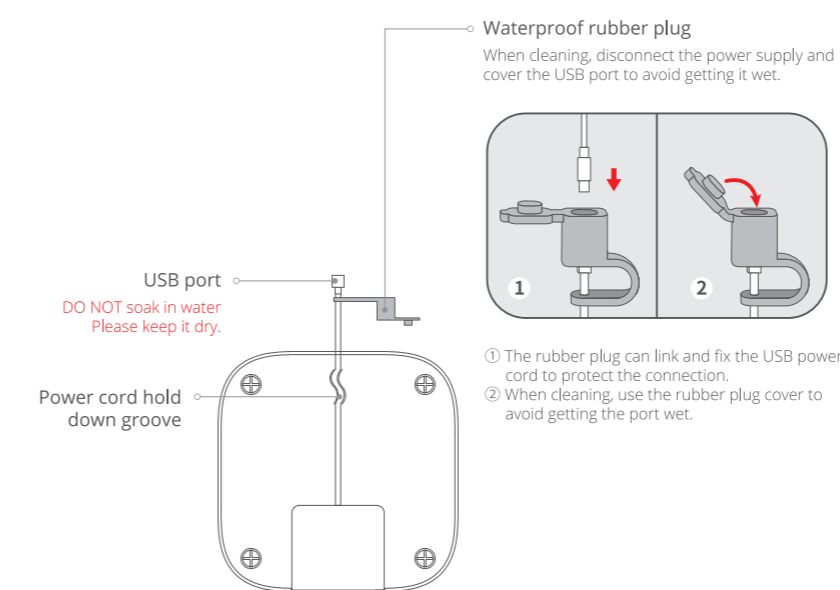
INSIDE THE WATER STORAGE BARREL



4

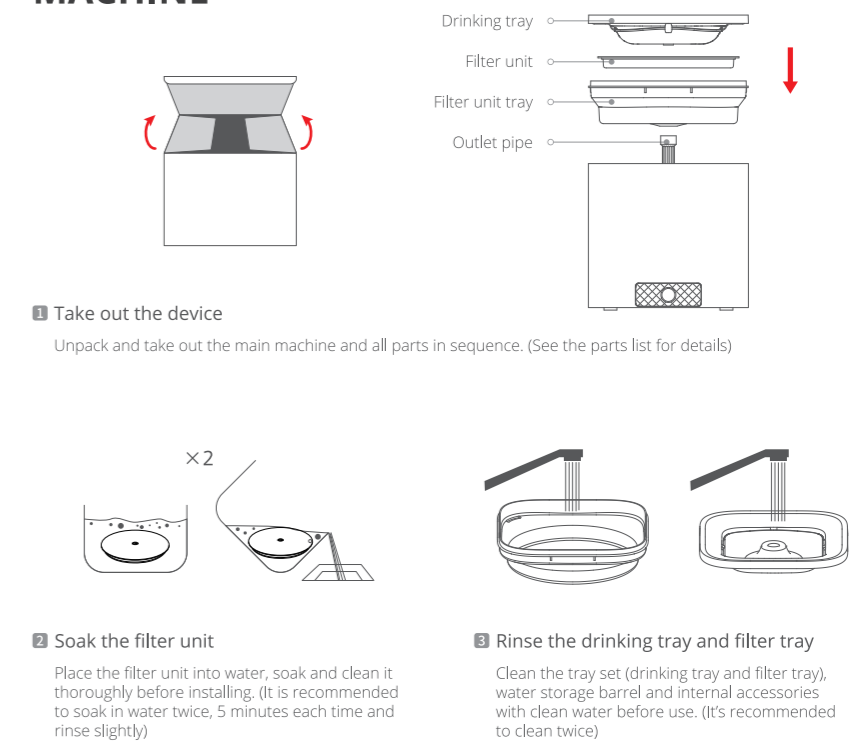
PRODUCT INTRODUCTION

BOTTOM OF WATER STORAGE BARREL



5

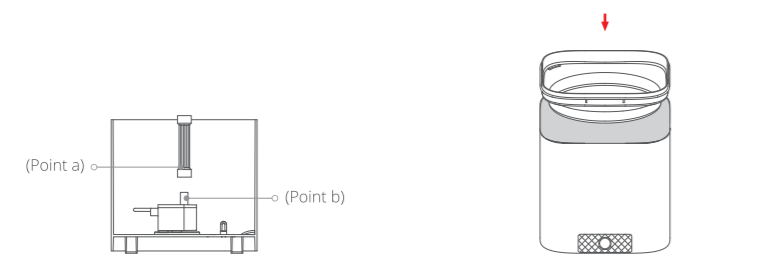
BEFORE INSTALLATION OF THE COMPLETE MACHINE



6

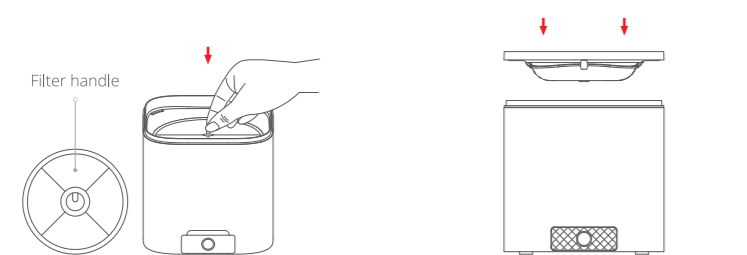
INSTALLATION OF THE COMPLETE DEVICE

I. Install the outlet pipe and the filter tray



1. Please make sure that the pump is placed in the bottom groove correctly. Take out the outlet pipe (point a) and align it with the water pump outlet (point b), press it tightly.

2. Align the outlet pipe with the center hole of the filter tray, and cover the tray until it is pressed tightly.



3. Hold the handle above the center hole of the soaked filter. Align it with the center hole of the filter tray and press down until the outlet pipe is exposed.

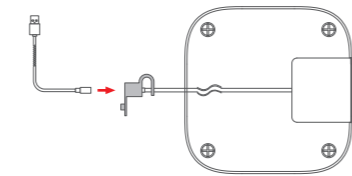
4. Please align it with the water outlet and install and press down the drinking tray.

7

INSTALLATION OF THE COMPLETE DEVICE

II. Connect to the power cord

Please insert the USB power cord port into the socket at the bottom of the main device. (DO NOT connect to the power supply)

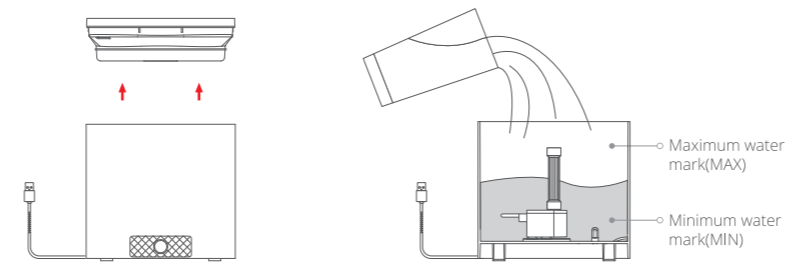


PRODUCT USE

III. How to add water

1. Move the tray set out of the water storage barrel. (as shown in figure)

2. DO NOT move the fountain, add clean water to the maximum water mark with hand-held container.

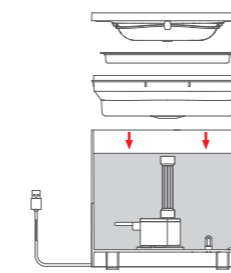


8

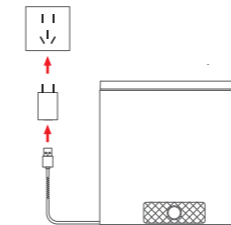
PRODUCT USE

IV. Installation of the complete device and use after starting up

1. After filling, put the filter tray, filter and drinking tray in proper order,

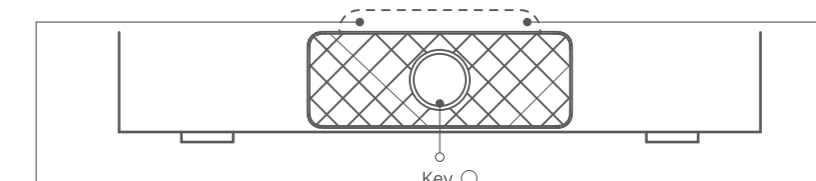


2. Connect the USB power port to the power plug, and then plug it into a power socket to start. (* the initial state is Smart mode by default)



9

INDICATOR LIGHT DESCRIPTION



DOUBLE CLICK: SWITCH THE SMART/NORMAL MODE.
LONG PRESS: LONG PRESS FOR 5 SECONDS TO TURN ON OR OFF THE INDICATOR LIGHT.

Light definitions of the dark grey/blue-green/blue EVERSWEET SOLO:

Light definitions of the orange EVERSWEET SOLO:

<ul style="list-style-type: none"> SMART Green light on: Work for 3 minutes, stop for 3 minutes. NORMAL Blue light on: Uninterrupted welling up of water. Filter indicator light Flashing green light: The filter needs to be replaced. Long press the key ○ for 5 seconds after replacement, the orange light goes out after the beep prompt sound is heard. The reset is successful and the timing of filter will be reset. Water shortage indicator Flashing blue light: Indicates water shortage and the device is in standby. The device can resume normal operation after refilling. Device power failure Alternate flashing of green and blue light: Indicates power failure. Please plug the USB power cord to restart the device, or contact customer services. 	<ul style="list-style-type: none"> SMART Grass-green light on: Work for 3 minutes, stop for 3 minutes. NORMAL Orange light on: Uninterrupted welling up of water. Filter indicator light Flashing grass-green light: The filter needs to be replaced. Long press the key ○ for 5 seconds after replacement, the orange light goes out after the beep prompt sound is heard. The reset is successful and the timing of filter will be reset. Water shortage indicator Flashing orange light: Indicates water shortage and the device is in standby. The device can resume normal operation after refilling. Device power failure Alternate flashing of grass-green and orange light: Indicates power failure. Please plug the USB power cord to restart the device, or contact customer services.
--	--

10

MAINTENANCE AND CLEANING

I. Cleaning and Maintenance of Water Storage Barrel

- The water temperature of the device ranges from 0°C to 50°C.
- DO NOT expose it in the sun, so as not to accelerate the yellowing of the machine.
- Please clean the complete machine after disconnecting the power supply, and ensure that the bottom connector is dry.
- Please clean the device in a large-capacity container such as a sink to prevent water from spilling.
- DO NOT use petrol, kerosene, polishing powder, bleach and other chemical reagents to clean the device.
- DO NOT place or soak the device and pump in boiling water.
- For daily maintenance, wipe the surface of the device and power cord to remove stains with a soft cloth rinsed with warm water. (Please power off first)
- It is recommended to completely replace the drinking water every 3-4 days. When replacing, please clean all parts.
- When not used for a long time, please clean the device, put parts into the packing box in the original packaging order after dry, and store them properly in a dry place.

II. Replacement of the Filter

- The filter shall be replaced every 60 days in smart mode (SMART), and every 30 days or so in normal mode (NORMAL). (Specific replacement shall be subject to the filter indicator light.)
- Soak the new filter thoroughly before replacement (it's recommended to soak twice, five minutes each time) and rinse slightly before replacing.
- For the sake of your pets' health, please replace the filter frequently according to the use of the filter element.

11

MAINTENANCE AND CLEANING

III. Cleaning of the Silent Pump

- The CNC silent pump shall be cleaned every week to prevent dirt from clogging the waterway, resulting in abnormalities such as poor water quality and poor water discharge.
- Please scan the QR code to watch the cleaning steps of the CNC silent pump.



Scan to watch the cleaning video



Scan to watch the installation video

FAQ

*For more customer support: info@petkit.com

I. About Indicator Light Faults:

- The indicator light does not light up after power-on: Please re-plug and replace the adapter or USB power cord with a new one. If it still does not light up, please contact info@petkit.com to replace the original USB cable.
- Failure to reset after filter replacement (the filter indicator light is not off): Please first confirm that the SMART/NORMAL mode can be switched normally when double clicking. Or long press for reset after power off and restart. If it still can't be reset, please contact info@petkit.com.
- Orange and blue lights flashing alternately (*Orange SOLO: alternate flashing of grass-green and orange light) indicates unstable output voltage, please replace the adapter with a new one or contact info@petkit.com.

12

FAQ

II. About Filter

- A little black powder floating in the water: A little of non-toxic and harmless coconut shell activated carbon used for the filter element will float out with the water flow, which is a normal phenomena. Please feel free to use.
- A "click" sound of the pump in use: Due to the circulation of water flow, the coconut shell activated carbon floating in the water may be absorbed by the pump. Please check and clean up in time.

III. About water outflow faults

- No water outflow after switching to normal mode:
 - Please check whether the light is flashing. If the orange light is still flashing when barrel is full of water, please contact info@petkit.com.
 - Remove the tray set and check the pump for operating or clogging. If the pump is working properly, try to replace the filter element with a new one. If it is not resolved, please contact info@petkit.com or clean the tray set and then align it with the water outlet.
 - If the pump does not work, clean the pump according to the pump cleaning video instructions (see the QR code of the manual for details, be sure to carry out in the power off state). If the problem cannot be solved after the above steps, please contact info@petkit.com.
- The water outflow becomes small:
 - Please check the filter first, and then water pipe or pump for blocking. Disassemble and clean them and then try again, or contact info@petkit.com.
 - This may be caused by too low water level due to the small quantity of water in the water storage barrel. Please refill with water as appropriate.
 - Check whether the filter element tray water outlet is aligned with the bottom water pump outlet.

13

FAQ

- Start to overflow after use for a period of time: If the filter is used too long, the dirty residue on the surface will affect the seepage effect of the filter. Please replace the filter element in time. Or check whether there is dirt clogging in water pipes and pump, and try again after cleaning.

IV. The Fountain is immersed in water and cannot work normally

It is recommended that you unplug the power supply, remove the bottom screws, open the bottom cover to clean the water inside, place the bottom cover up in a ventilated place for 12 hours to dry, and then confirm whether the function is OK. If it still does not work, contact info@petkit.com.

BASIC PARAMETER INFORMATION

Product Name	PETKIT EVERSWEET SOLO Smart Pet Drinking Fountain
Product model	P4103
Overall size	160mm X 160mm X 158mm
Recommended pet type	Cats and small-sized dogs
Complete machine weight	About 0.65kg
Rated voltage	5VDC
Rated power	2W

14

01V1.0