

封底

60 mm

封面

尺寸：60\*120mm 材质：105克铜版纸 正反黑白印刷

120 mm

arash

Precision Beard Trimmer  
User Manual

JM-700AL

## Manufacturer:

Yiwu Lehman Electronic  
Technology Co., Ltd

## Address:

1st Floor, No. 78 Xiahe  
Road, Yiwu, Zhejiang, China

## Technical parameter:

Input: 5V=1A  
Charging time: 2h  
Made in China

## WARNING:



Keep the appliance dry. Not to be used in bath or shower.

- \* This appliance is not intended for use by persons (including children) with reduced physical, sensory or mental capabilities, or lack of experience and knowledge, unless they have been given supervision or instruction concerning use of the appliance by a person responsible for their safety;
- \* Children should be supervised to ensure that they do not play with the appliance.
- \* To prevent possible harm to the environment or human health from uncontrolled waste disposal, such as the unused batteries and motors etc. Recycle them responsibly to promote the sustainable reuse of material resources.
- \* To return your used device, please use the return and collection systems or contact the retailer where the product was purchased. They can take this product for environmental safe recycling.

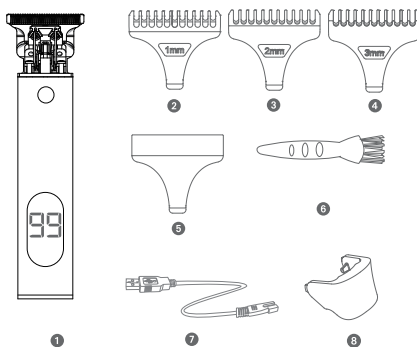
## CAUTIONS:

- \* Cleaning the housing using only a cloth slightly dampened with water or a mild soap solution.
- \* Never use a caustic solution.
- \* Never submerge the clipper in water.
- \* Keep away from the children.
- \* This clipper may become warm during operating and/or charging, this is normal.
- \* When using, don't hold the power soft line, in order to prevent possible harm and so as to avoid accidents.
- \* Never tamper with moving parts.
- \* Be sure to charge one time at least within one year after purchase.

## CHARGING:

- \* Before using as the first time, please charge 8 hours fully to activate the inside rechargeable batteries.
- \* Please do not charge if the temperature is lower than 0°C or higher than 40°C.
- \* Please do not charge if it is nearby the sunlight perpendicular incidence or the heat source radiates.
- \* The standard charging time is 2 hours. In order to avoid mangling the batteries, please don't extend the charging time.
- \* When it's fully charged, it can be used for more than 180 minutes. During charging, the indicator light shows red.
- \* After the charge is fully charged, the display shows 99.
- \* Push the switch button to ON, then it can be used.

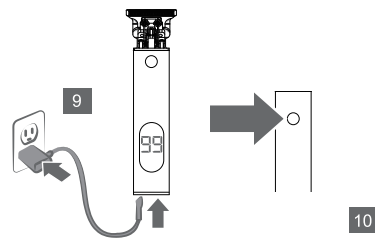
## Parts Identification



- |                   |                                |
|-------------------|--------------------------------|
| 1 Beard Trimmer   | 2 Comb (1mm)                   |
| 3 Comb (2mm)      | 4 Comb (3mm)                   |
| 5 Protection Cap  | 6 Cleaning Brush               |
| 7 USB Charge Line | 8 Transparent protective cover |

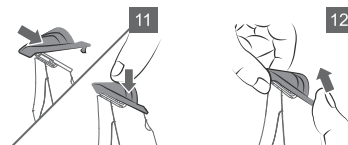
## How to use:

- \* This hair trimmer can be used in both cord and cordless.
- \* Put the adaptor connected with the jack of the battery pack which lies at the bottom of the machine, then put the adaptor pins connected with the power.

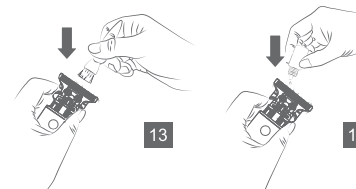


## How to use the comb attachment:

1. When load and unload the comb attachment, please ensure the power switch is at OFF position. Attached combs of 1, 2, 3mm combs for different cutting length (picture 11)
2. Push the comb button as (picture 12), you can change the comb with other size.



## Maintenance of the blades:



- \* Use the brush, to clean the blade in order to remove hair which may be caught between the blades. Lubricate the space between the stationary and moving blades with 2 or 4 drops of oil after every few uses.

## Cleaning under the tap

Clean the cutting element and comb under a warm tap after every use (Fig. 15).

