

AREBOS

Lawn mower lift

AR-HE-RH400KG



Please follow all security measures in this user's manual to ensure a secure use.



Thank you for trusting in AREBOS.

List of contents

1. Safety instructions	3
1.1 Explanation of the symbols	3
1.2 Instructions.....	3
2. Assembly instructions	4
3. Operating instructions	5
3.1 Lifting a mower.....	5
3.2 Note	5
4. Technical specifications.....	6
5. Maintenance.....	6
6. Disposal instruction	6
6.1 Disposal of the packaging.....	6
6.2 Disposal of waste equipment.....	6

Please read and save these instructions. Read through this user's manual carefully before using product. Protect yourself and others by observing all safety information, warnings and cautions. Failure to comply with instructions could result in personal injury and/or damage to product or property. Please retain instructions for future reference.

1. Safety instructions

1.1 Explanation of the symbols



By means of a CE marking, it can be recognized that a product complies with the legal requirements of European legal standards and therefore may be traded within the European Community.



Warning! Read the safety instructions carefully. Failure to follow the safety precautions could result in serious injury or damage. Keep the operating instructions in a safe place.



Warning! Danger of crushing hands!

1.2 Instructions

- Read and understand all safety and operating instructions before using the lawn mower lift. Never allow anyone unfamiliar with the safety or operating instructions to use the lift.
- Follow all safety and servicing instructions provided by the lawn mower's manufacturer before using the lift.
- Do not modify the lawn mower lift in any way. Any modifications will void any and all warranties and could compromise your personal safety.
- When using the lawn mower lift, keep ALL bystanders at a safe distance away from the lift. The lawn mower lift must be used on a solid level surface. Do not lift the front end and the backend of the mower at the same time. Do not use lawn mower lift for anything other than a mower, unless the proper accessory is used. Always stop engine and remove key before beginning any work on the mower.
- Never operate the mower's engine while using the lift.
- If the lift tower is leaning while lifting or lowering the mower, this indicates an overload condition. Remove the mower immediately.
- Tower must be locked in place with the Tower Locking Pin before using the lift
- Carrier Locking Pin must be locked into Tower before starting any service on mower.
- Do not remove safety warnings or decals from the lawn mower lift.
- Before each use, always check for any worn, loose or damaged parts on the lift. If any damaged parts are present, do not use the lift.
- Do not climb on mower while it is lifted, being lifted or being lowered. No one should be on the mower while it is lifted, being lifted or being lowered.

- After the mower is raised to a working height, always place wheel chocks (not included) behind the back tires of the mower.
- Wheel Pads must be equal distance from the Lift Arm to maintain proper balance.
Remove all mower attachments before using the lawn mower lift.
Failure to follow these warnings may result in property damage and serious bodily injury or death.

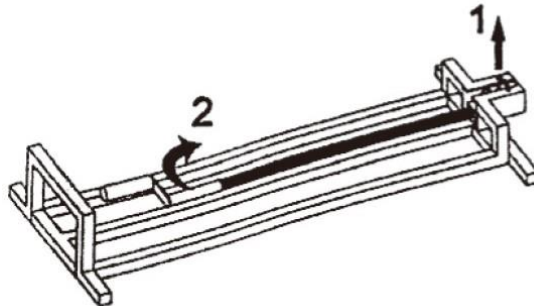


This manual contains assembly, parts, operating, maintenance, and adjustment and safety instructions for your lawn mower lift.

- BEFORE USING IT, CAREFULLY READ THIS MANUAL IN ITS ENTIRETY.
- By following these operating, maintenance and safety instructions, you will prolong the life of your lawn mower lift and promote safe operation.
- If additional information is needed, or should you require a trained service mechanic, contact your authorized lawn mower lift equipment dealer or distributor.
- All parts are thoroughly tested and inspected before leaving the factory to ensure that they comply with all relevant safety standards.
- **NOTE:** Please save this manual for future reference.

2. Assembly instructions

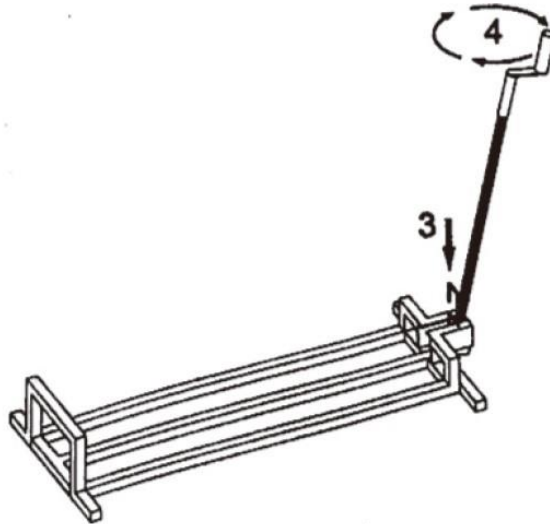
- Place the lift on a hard, even and stable ground.
- Pull out the tower-locking pin (1).
- Raise the tower (2).



- We suggest greasing the tower before using

3. Operating instructions

- Fix the tower to leaf it raised (3).
- To start the lifting just turn the handle clockwise (4).

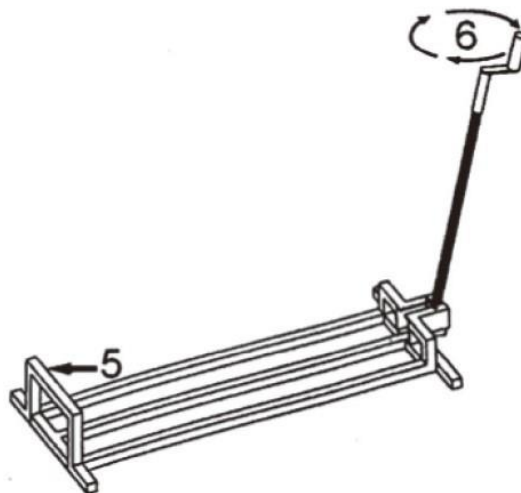


3.1 Lifting a mower

- Place the lift on a even and firm surface.
- Place the mower in front of the lawn mower lift (5).

3.2 Note

- Place the back wheels on the lift on the side support (5) parallel to the tower when lifting a lawn mower tractor
- Turn the handle clockwise to lift the mower 2-3 cm. Make sure the mower stands firmly before you proceed with lifting (6).



- If the mower is leaning please turn the handle to lower the mower on the ground. Place the mower correctly and start the lifting again.
- **Caution!** Do not lift the mower to high, it could tip. Lift it just as you reached the needed height to be able to start the repair or maintenance.

4. Technical specifications

Model	AR-HE-RH400KG
Max. capacity	882 lbs (400 kg)
Ramp width max.	38.19 in (97 cm)
Dimensions	45.28 x 20.08 x 8.27 in (115 x 51 x 21 cm)
Width of the wheel holder	11.81 in (30 cm)
Inclination angle	Up to 45°
Surface	Powder-coated
Colour	Red
Weight	19.8 lbs (9 kg)

5. Maintenance

1. Place the tower in the basic position.
2. Grease the tower regularly every three months.
3. Regularly check for rust (every three months). In this case use an oiled rag.

6. Disposal instruction

6.1 Disposal of the packaging

- Please make reference to the guidelines and standards for appropriate disposal of the packaging valid in your region. In part, the package may consist of plastic bags - watch this respect, with special care to ensure that this is not out of the reach of children. There is a risk of suffocation!

6.2 Disposal of waste equipment

- Equipment must be disposed of in accordance with the rules and regulations of the local waste disposal.
- At the end of the long life of your article, please dispose of the valuable raw materials for proper disposal so that proper recycling can take place. If you are not sure how to proceed, the local waste disposal companies or recycling centers are happy to help.

Our customer service number: +49 (0) 931-45232700

EU Declaration of Conformity

We,

Canbolat Vertriebs GmbH, Gneisenaustraße 10-11, 97074 Würzburg, Germany,

Hereby declare that the product named below, seen its design and construction as well as according to our sales, has been complied with the relevant and basic health and safety EU-requirements.

Name of the product: AREBOS Lawn mower lift

Art. Nr: 4260199757055

Model Nr: AR-HE-RH400KG

If the product has any modification not allowed by us, this declaration loses its validity.

Tested acc. to:

EU Standard:

Certificate No.: EC.1282.0I131206.JYT337

Directives: 2006/42/EC Machinery

Standards: EN ISO 12100:2010

Date/Manufacturer Signature/Location:

Würzburg, 13.03.2019



Identification of the signatory:

Korhan Canbolat, head of the company

Authorised representative for the technical documentation:

Korhan Canbolat

Office address:

Canbolat Vertriebs GmbH

Gneisenaustraße 10-11

D-97074 Würzburg

Return address can be found in the imprint: <https://www.arebos.de/impressum/>

VAT identification number: DE 263752326

Court of the Commercial Register is Würzburg, HRB 10082

WEEE Reg.-No. DE 61617071