

A\*1PC



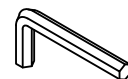
B\*3PCS



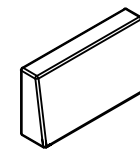
C:M6\*20\*9PCS



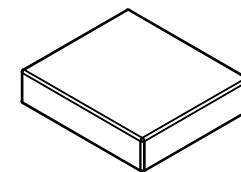
D:  $\phi 16 * \phi 6.5 * 1 * 9$ PCS



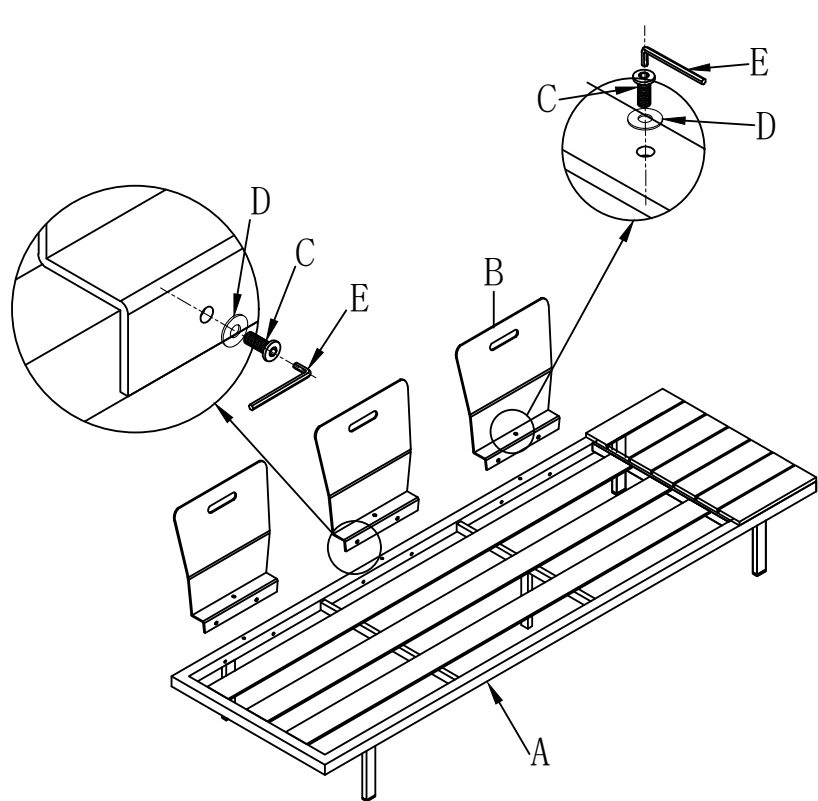
E: 4MM\*1PC



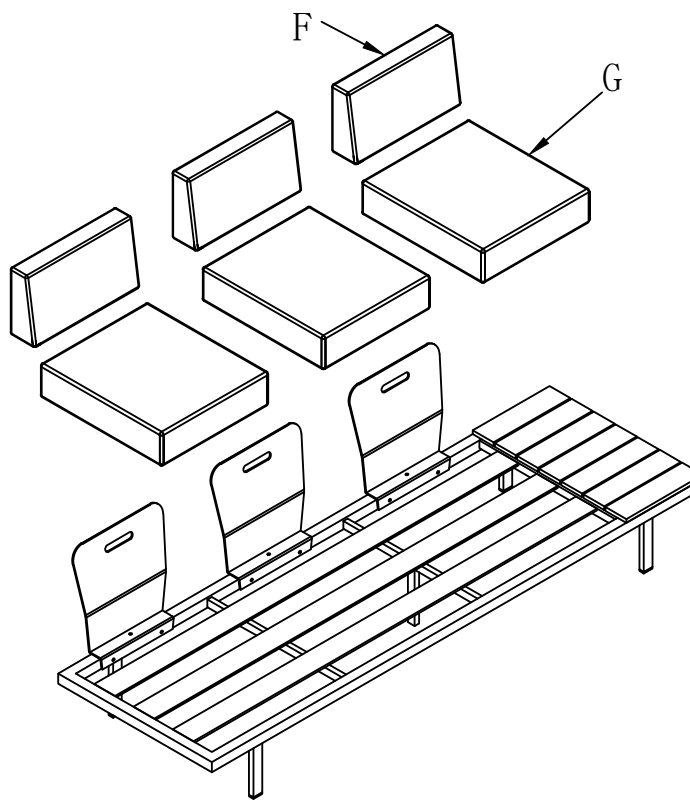
F: 3PCS



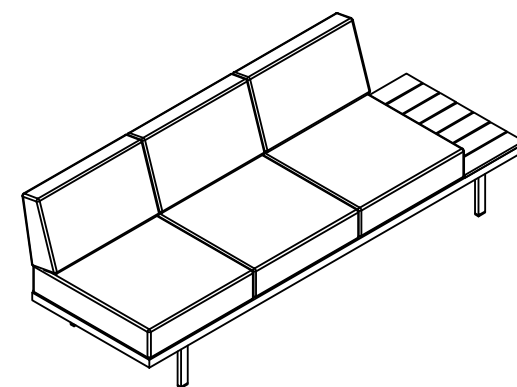
G: 3PCS



1

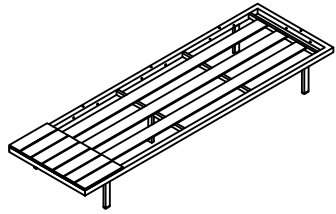


2



3

Please assemble all components firstly, then tightly fix all screws.



A\*1PC



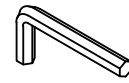
B\*4PCS



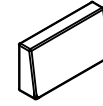
C:M6\*20\*12PCS



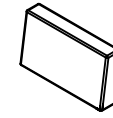
D:  $\phi 16 * \phi 6.5 * 1 * 12$ PCS



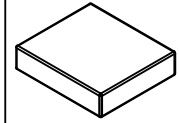
E: 4MM\*1PC



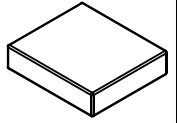
F: 1PC



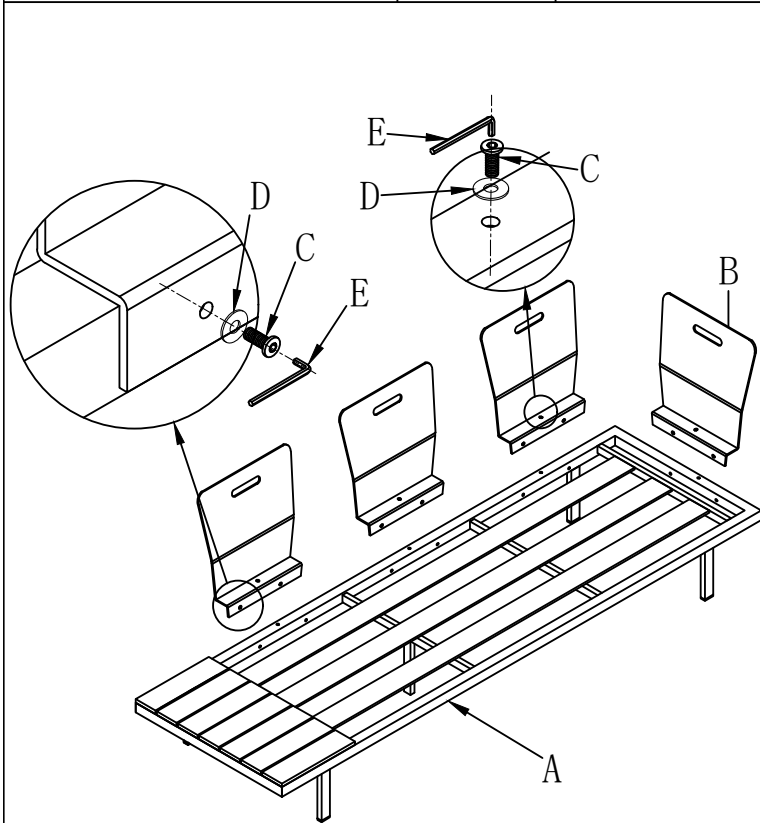
G: 3PCS



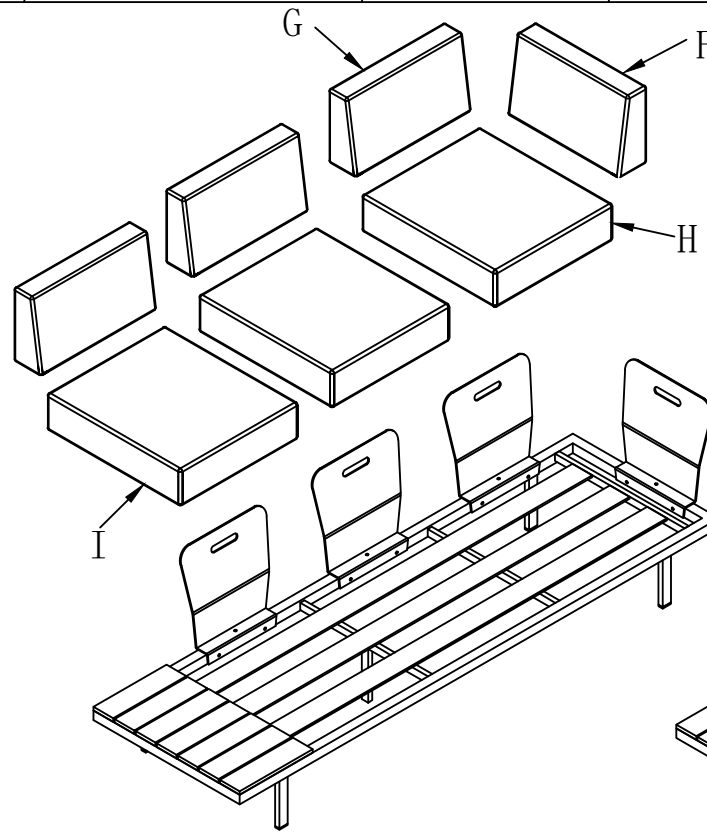
H: 1PC



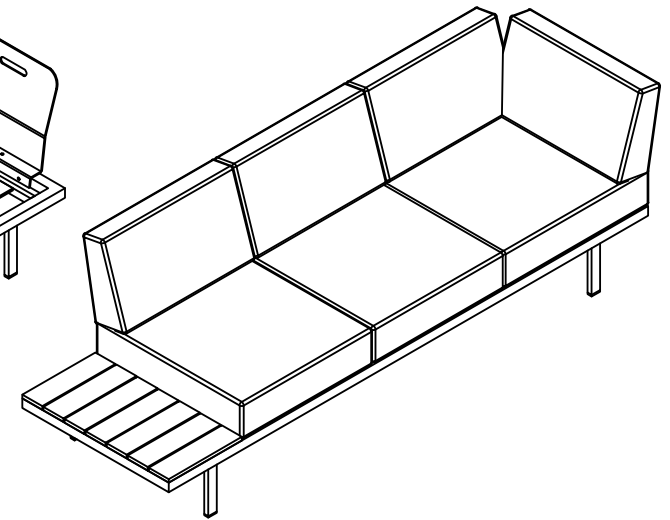
I: 2PCS



1



2



3

Please assemble all components firstly, then tightly fix all screws.