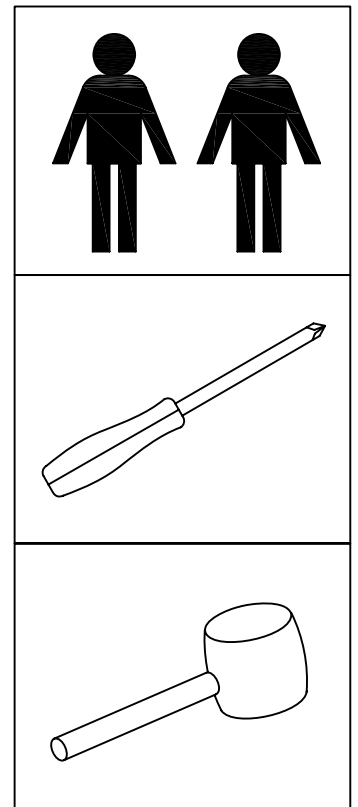
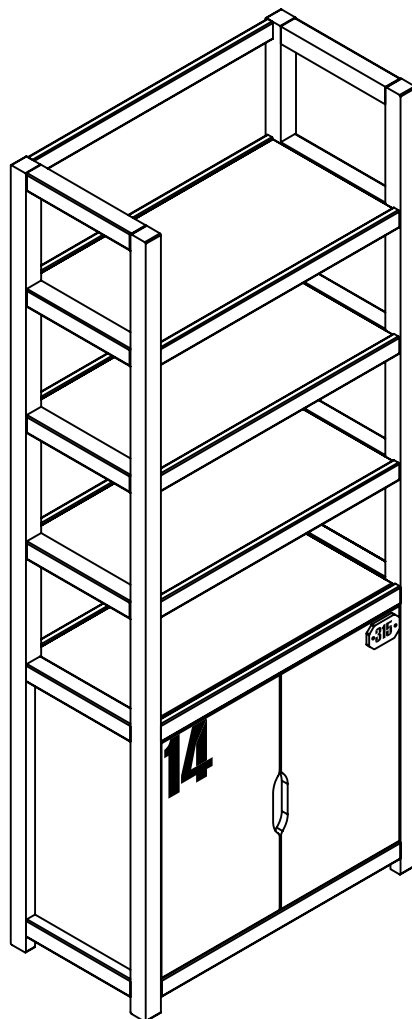
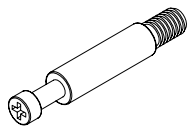
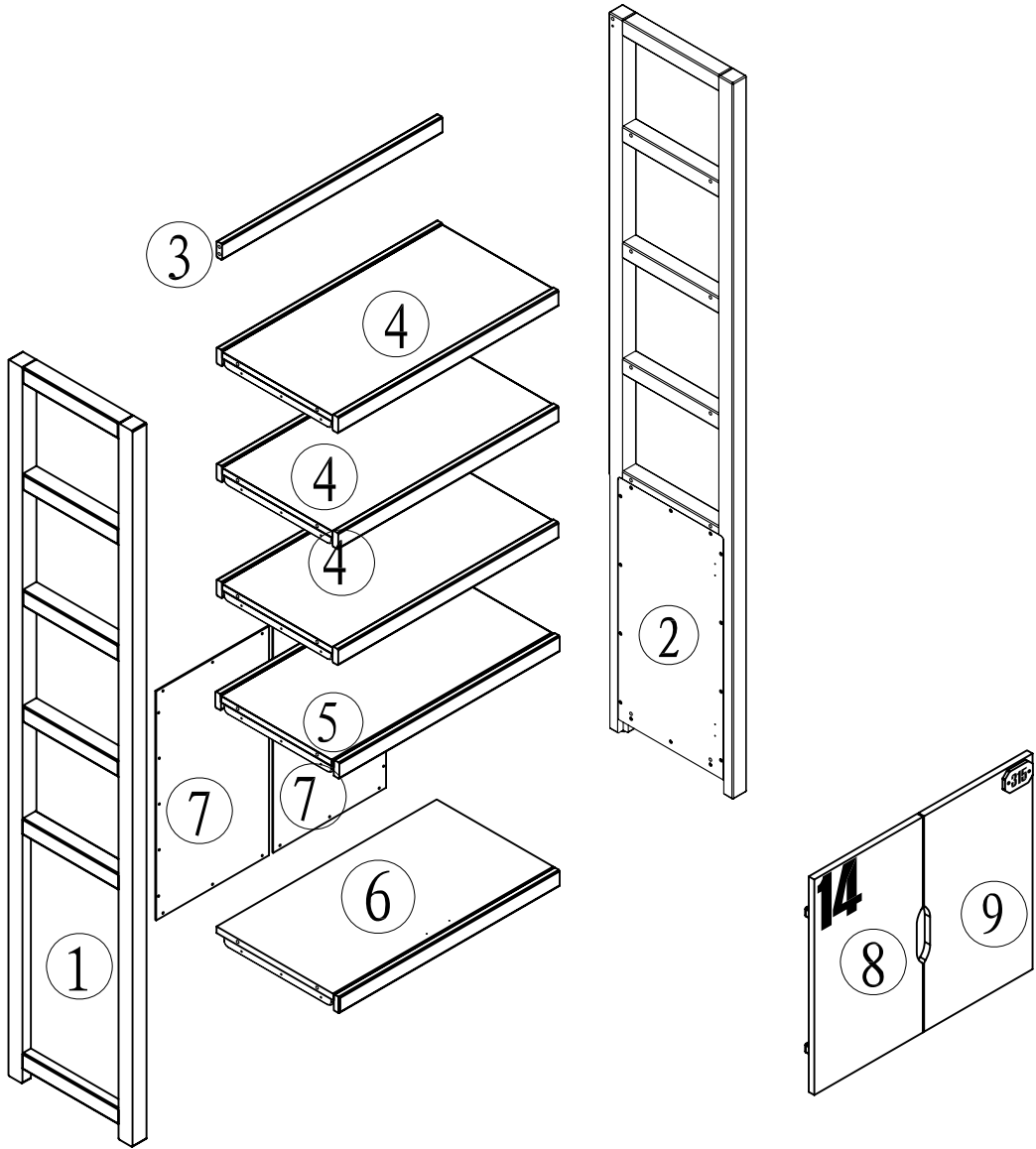


ALEX BOOKCASE

AXBI2219

MONTAGE AANWIJZING
NOTICE DE MONTAGE
MONTAGE ANLEITUNG
ASSEMBLY INSTRUCTIONS





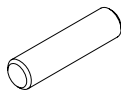
($\varnothing 15$)

A \times 2



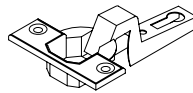
($\varnothing 15$)

B \times 2

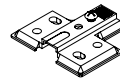


($\varnothing 8 \times 30\text{mm}$)

C \times 22



D \times 4



E \times 4

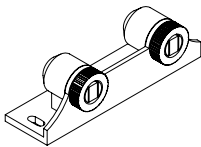


($\varnothing 3.5 \times 15\text{mm}$)

F \times 24



G \times 4



H \times 2



($\varnothing 3.0 \times 12\text{mm}$)

I \times 4



($\varnothing 3.0 \times 12\text{mm}$)

J \times 4



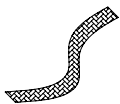
($\varnothing 6 \times \varnothing 18$)

K \times 2



(L=608mm)

L \times 1



M \times 1

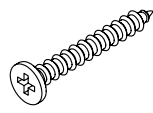


N \times 1



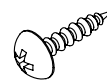
($\varnothing 3.5 \times 15\text{mm}$)

O \times 1



($\varnothing 3.5 \times 30\text{mm}$)

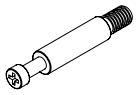
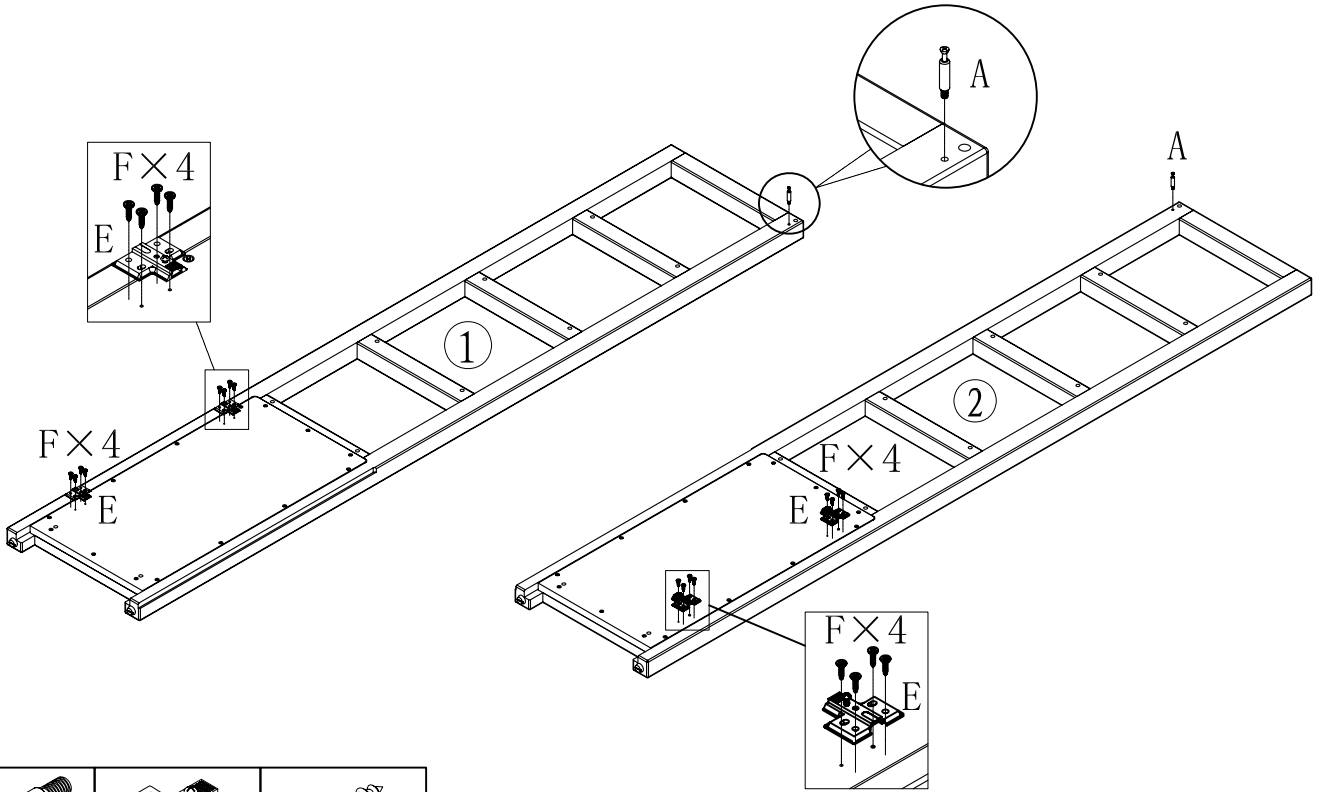
P \times 31



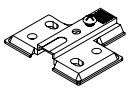
($\varnothing 3.0 \times 15\text{mm}$)

Q \times 22

1



A*2

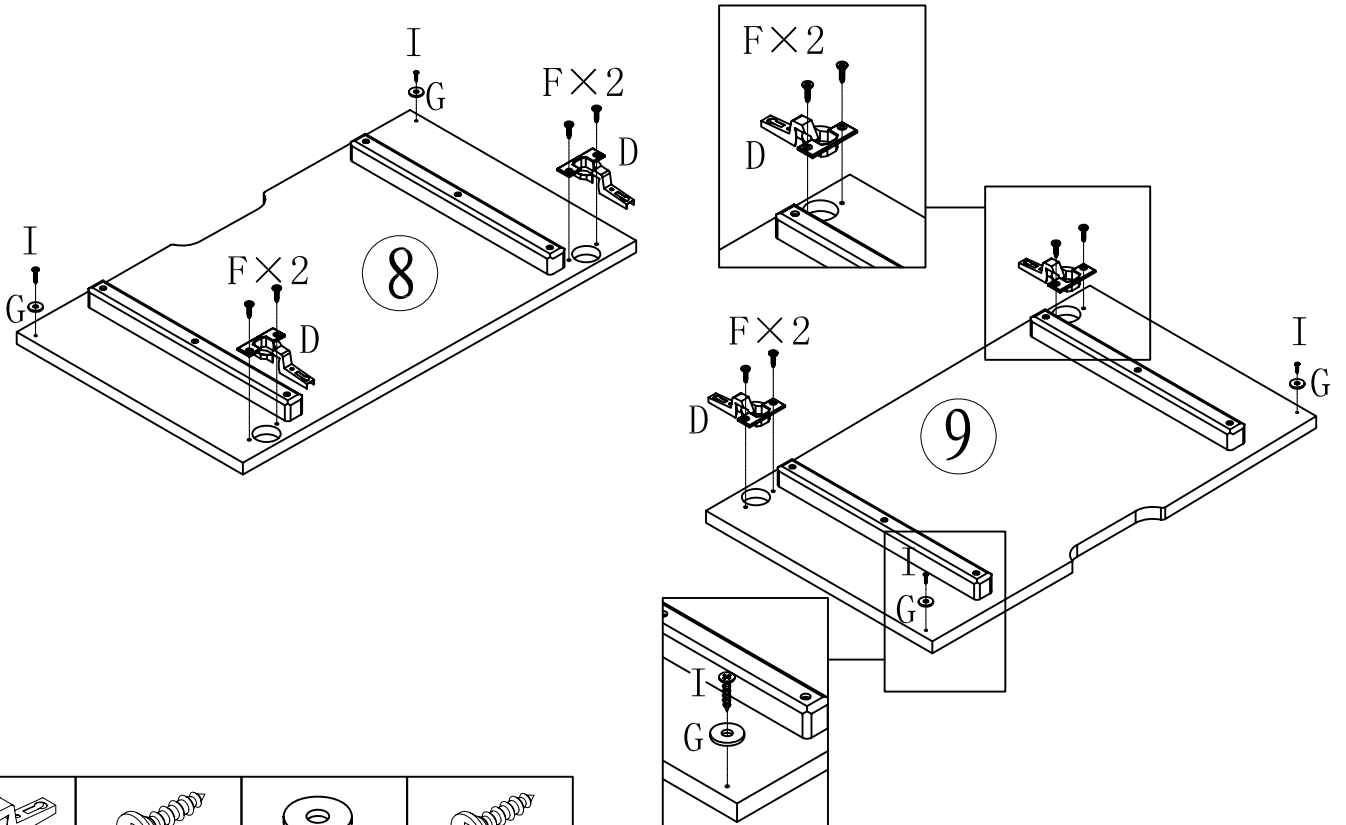


E*4

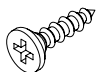


F*16

2



D*4



F*8

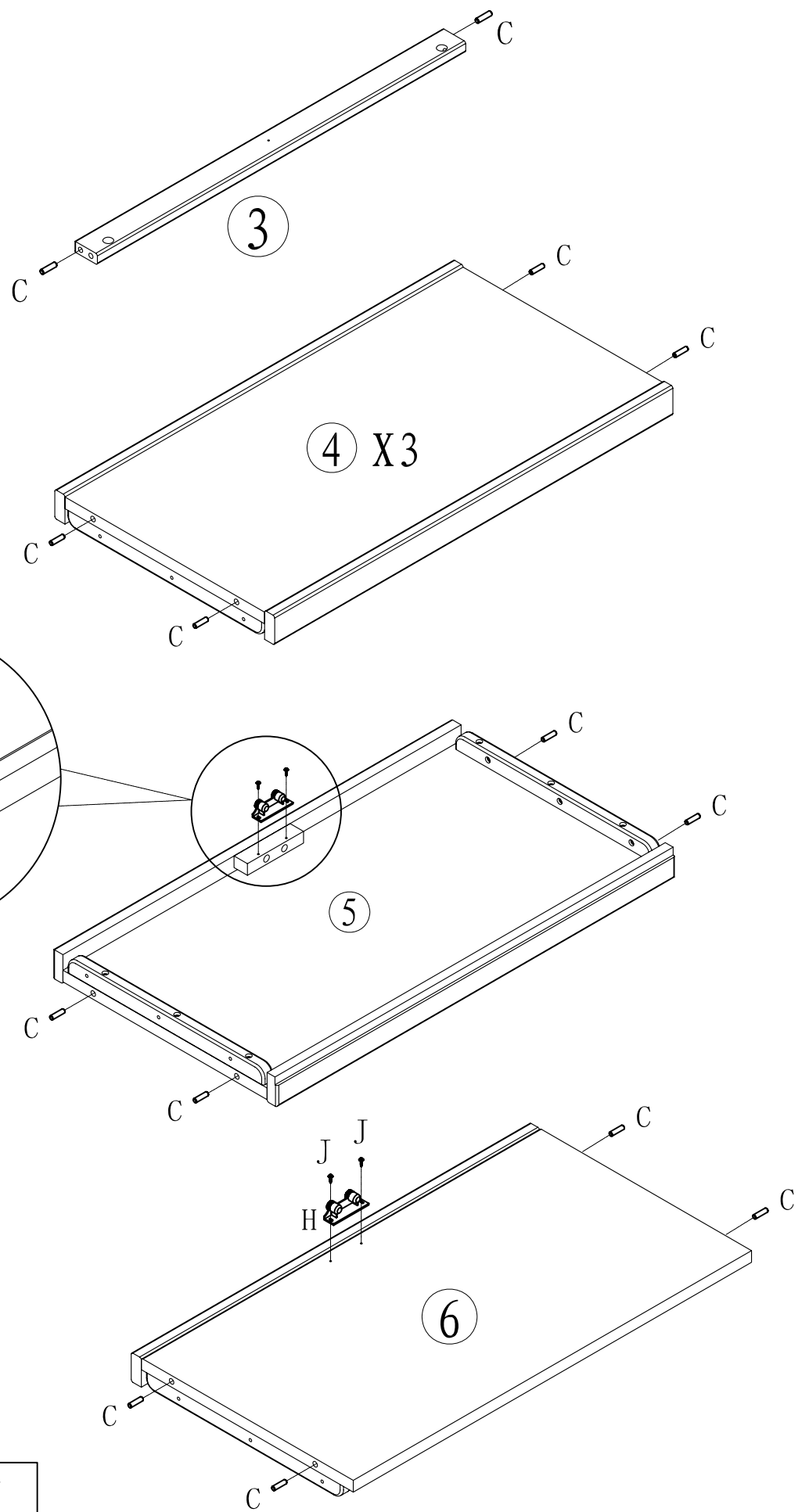


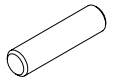
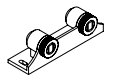
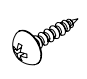
G*4



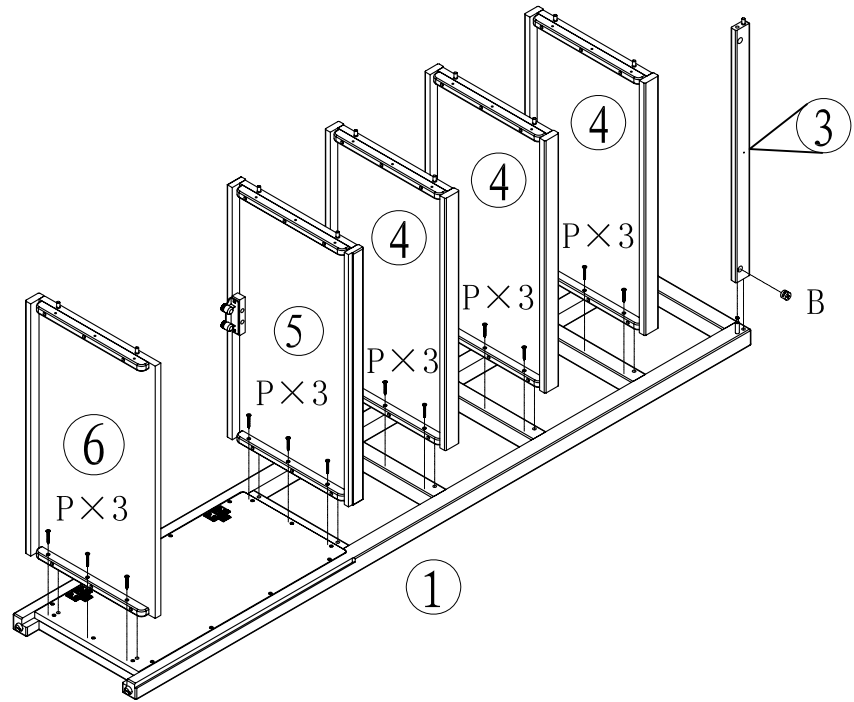
I*4

3



		
C*22	H*2	J*4

4

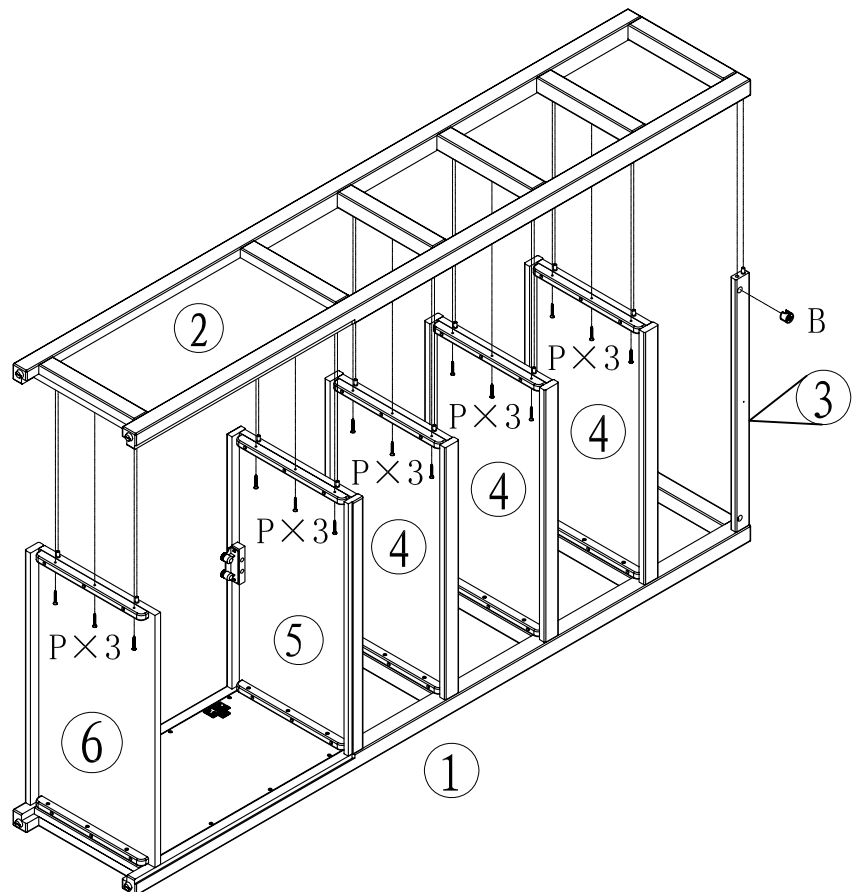


B*1

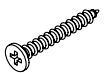


P*15

5

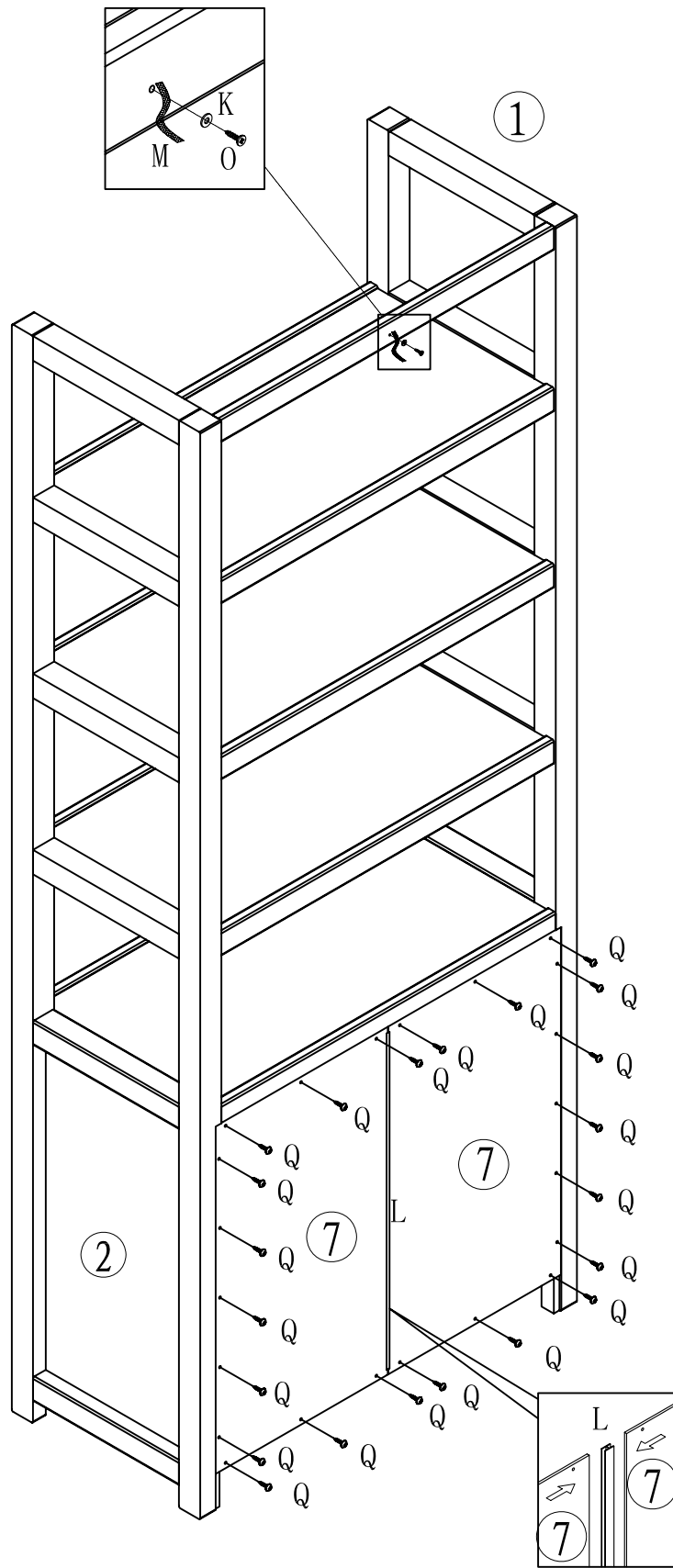







B*1



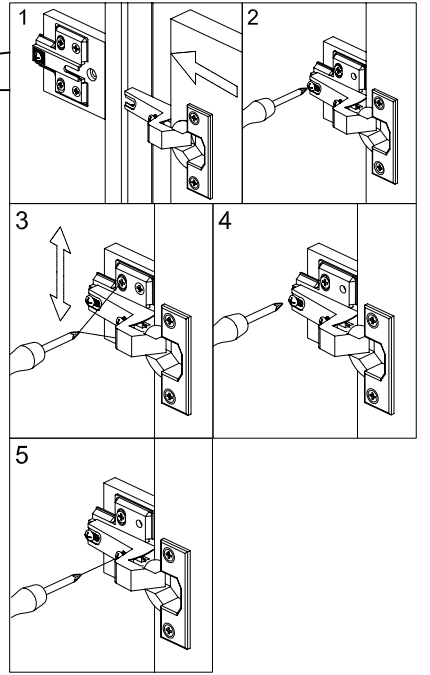
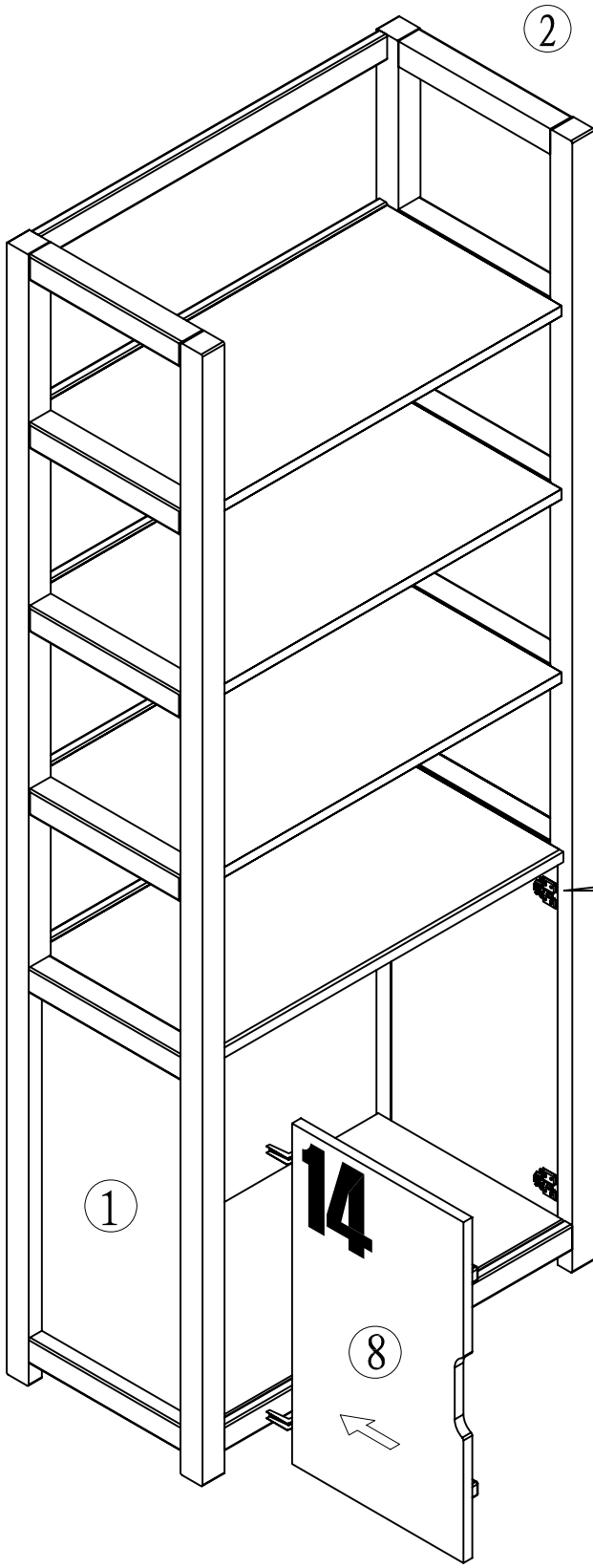
P*15

6

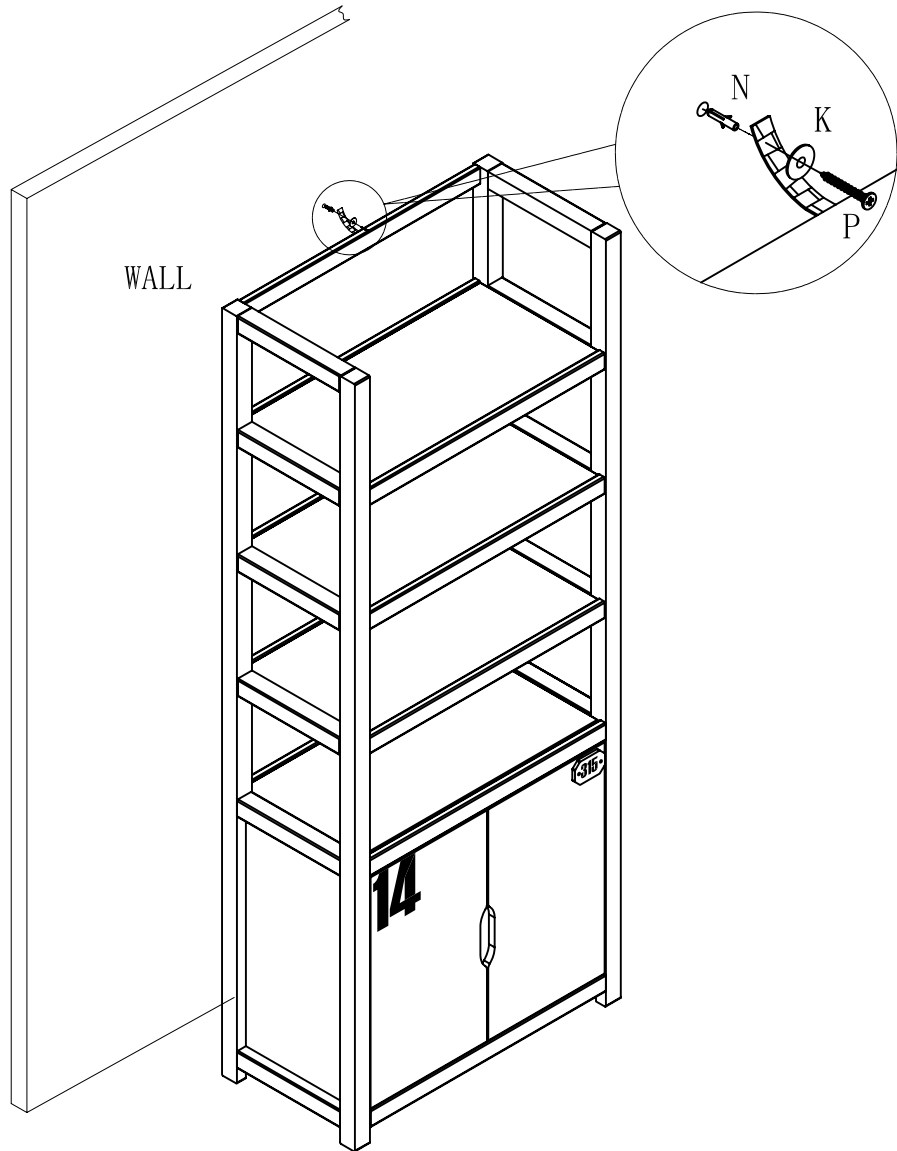


				
K*1	L*1	M*1	O*1	Q*22

7



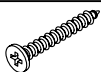
8



K*1



N*1



P*1