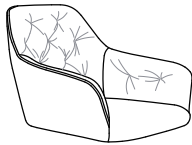
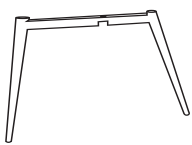

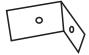






ASSEMBLY INSTRUCTION

	Ax1 	Bx1  L	Cx1  R	Dx2 
Ex12 	Fx8 	Gx4 	Hx1 	Ix1 