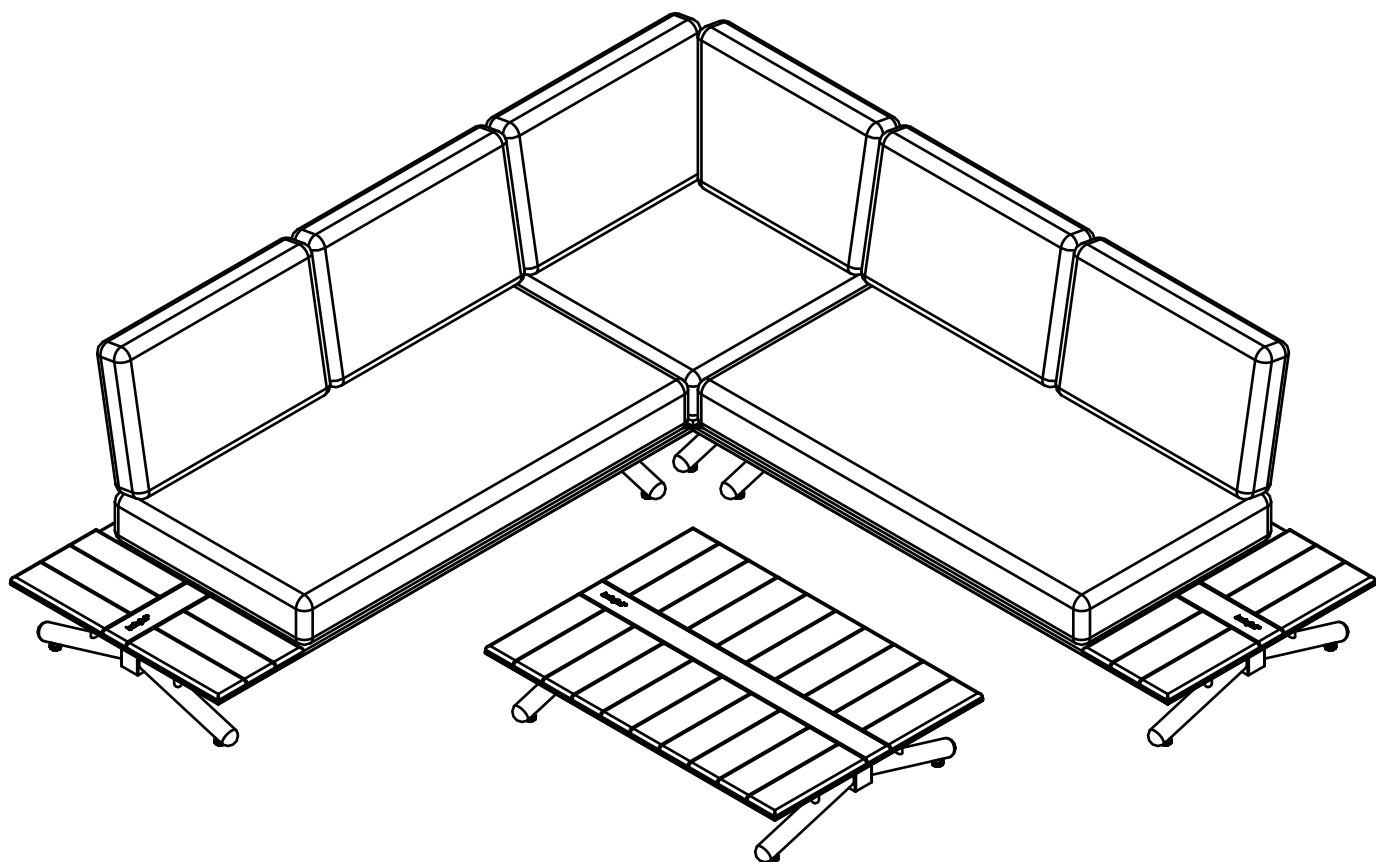


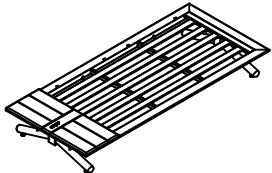
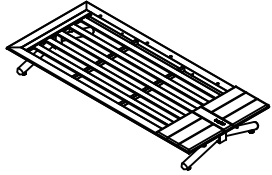
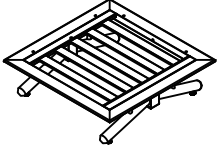
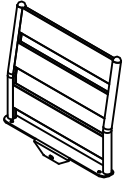
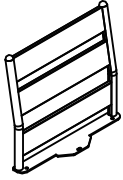
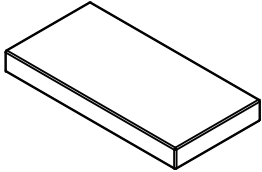
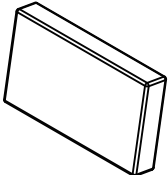
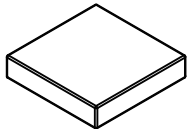
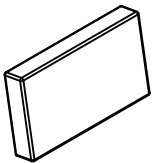
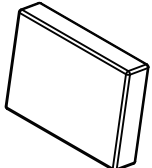




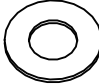
Lanterfant®



Noah

 50Min	
---	---

A		1
B		1
C		1
D		5
E		1
F		2
G		4
H		1
I		1
J		1

H0		1
J20	 M6*20	18
L15	 M6	18

