

KYMO

Carpet & Upholstery Spot Cleaner User Manual



TABLE OF CONTENTS

1.	INTRODUCTION	2
2.	SAFETY INSTRUCTIONS	3
2.1.	General Device Safety	3
2.2.	Persons & Use	4
2.3.	Electronics	4
2.4.	Power Cord	5
2.5.	Heat & Cooling	5
2.6.	Water	6
2.7.	Explosive Atmosphere	6
3.	INTENDED USE	6
4.	THE PACKAGE	7
4.1.	The Package	7
4.2.	Unpacking	7
4.3.	Safety During Unpacking	7
5.	TECHNICAL DATA	8
6.	PRODUCT PARTS	9
7.	PRODUCT USE	9
7.1.	Notices Before Use	9
7.2.	Adding Water to the Clean Water Tank	10
7.3.	How to Use	11
7.4.	How to Clean Stubborn Stains	11
7.5.	After Use	12
8.	THE ATTACHMENTS	12
9.	TROUBLESHOOTING	13
10.	CLEANING	14
10.1.	General Cleaning Guidelines	14
10.2.	Cleaning Procedure	14
11.	MAINTENANCE & SERVICE	16
12.	STORAGE & TRANSPORT	16
13.	DISPOSAL & RECYCLING	17
13.1.	Device Disposal	17
13.2.	Packing Material Disposal	17
14.	WARRANTY & LIABILITY	18



This user manual accompanies the **KYMO** carpet & upholstery spot cleaner and contains important information about safety, use and disposal. Read the manual carefully and follow the instructions and warnings to ensure your own safety and the safety of others.

Keep the manual for further reference, even if you are familiar with the product. Make sure to include this manual when passing on this product to third parties.

The images in the manual are for illustrative purposes only and may differ slightly from the product. In that case, **KYMO** is not obliged to adjust the manual. Use the actual product as a reference.

1. INTRODUCTION

Thank you for choosing a **KYMO** product. Read the user manual carefully before use, to ensure proper and safe use of the product. Always follow the instructions to prevent damage or harm.

Our product complies with the following statutory national, international and European requirements:



CE mark:

The CE mark (an acronym for the French “conformité européenne”) certifies that a product meets EU health, safety, and environmental requirements, guaranteeing consumer safety.



Compliant with RoHS:

The Restriction of Hazardous Substances (RoHS) directive 2015/863/EU is an EU directive to restrict the use of certain hazardous substances in electrical and electronic equipment. Each EU Member State must adopt its law to implement this directive. If a product is RoHS certified, this confirms that the proportion of hazardous or difficult-to-remove substances is limited to the maximum allowed.



UKCA mark:

The UKCA (UK Conformity Assessed) marking is to be used as a replacement for the CE marking on goods placed on the market in Great Britain. The UKCA marking makes it clear that a product brought to market in Great Britain fulfils the conformity requirements of this market. The conformity assessment process and the underlying technical rules (EN standards) that must be applied to demonstrate conformity are mostly the same as those used for the CE marking.

**CB certificate:**

The CB certification scheme allows for the acceptance of test reports from participating National Certification Bodies to be approved for market access in over 50 countries worldwide. The CB certification assures that your product was tested to the harmonized international standards.

If you have any questions, remarks, or problems using the product, feel free to contact us by e-mail: info@kymocleaning.com.

We hope you enjoy your purchase!

2. SAFETY INSTRUCTIONS



READ the user instructions carefully and especially observe the safety information. If you do not follow the safety instructions and information on proper handling in this manual, we assume no liability for any resulting personal injury or damage to property. Such cases will invalidate the warranty.

Electrical devices can expose people, especially children, to hazards that can cause serious injury or death. The use of electrical devices can present hazards including, but not limited to, injury, fire, electric shock, and damage to the electrical system. These safety instructions are intended to give you the information you need to use the **KYMO** carpet & upholstery spot cleaner and avoid such hazards. Common sense and respect for the device will help reduce the risk of injury.

All possible hazards cannot be covered here, but we have tried to highlight some of the important ones. Also, observe the warnings or safety instructions in the individual chapters of this manual.

Contact us by e-mail at info@kymocleaning.com, if you have questions that remain unanswered by these warnings & safety instructions.

2.1. General Device Safety

- Do not use the spot cleaner for any other purpose other than its intended use (see the chapter "INTENDED USE").
- The spot cleaner is designed and intended for household use and is not suitable for commercial or industrial use.
- The spot cleaner is intended for indoor use only. Do not use the device outdoors.
- Handle the device carefully. Jolts, impacts, or falls even from a low height can damage the device.
- Do not place the spot cleaner on any unstable surface. This may result in falling and cause malfunction.
- Do not place the spot cleaner under mechanical stress. Do not lean/sit on the device.
- All parts must be correctly assembled to ensure the safety of the device.
- The device needs to be properly and securely connected. Follow the instructions to prevent any possible damage/injury.
- Never use accessories not recommended by the manufacturer. They can pose a danger to the user and damage the device.
- Never drop or insert any object or fingers into any opening.

- Do not apply excessive force when using the buttons or switch on the spot cleaner.
- Do not leave the switched-on spot cleaner unattended. Close supervision is necessary when used near small children.
- Do not use the spot cleaner to suck up forbidden substances (See chapter “PRODUCT USE – Notices Before Use”).
- Beware of becoming stuck! Keep animals, hair, jewellery, wide clothing, fingers and all other body parts away from the nozzle of the device. They could become stuck to the device. Should the spot cleaner become stuck, switch the device off immediately.
- Stop working if any foreign matters are sucked in.
- Stop working if the water spray mouth is blocked.
- Do not continue to use the device when the suction hole is blocked.
- Empty the tanks if there is anything blocked in them before using them again.
- Do not use the spot cleaner without water in the clean water tank.
- Do not use the spot cleaner when it leaks.
- Never use hot water or liquids other than the recommended liquid in this device, doing so could cause serious harm. The clean water tank must not be filled with water at a temperature higher than 40°C.
- Do not slant the device.
- Use extra care when cleaning on stairs.
- If it is no longer possible to operate the spot cleaner safely, take it out of operation and protect it from any accidental use. A safe operation can no longer be guaranteed if the device:
 - is visibly damaged,
 - is no longer working properly,
 - has been stored for extended periods in poor ambient conditions or
 - has been subjected to serious transport-related stresses.
 You can take the device out of operation by removing the power cord or by cutting off the mains plug of the power cord.

2.2. Persons & Use

- The spot cleaner is not a toy. Keep and store it out of the reach of small children.
- Keep small children and animals at a safe distance when using the spot cleaner.
- The spot cleaner can be used by children aged 14 years and above and persons with reduced physical, sensory, or mental capabilities or lack of experience and knowledge if they have been given supervision or instruction concerning the use of the device safely and they understand the resulting hazards.
- Never use the device if you feel sleepy or if you have taken substances that shorten your reaction time (such as painkillers or alcohol).
- Be permanently alert. Pay attention to what you are doing. Proceed wisely. Do not use the spot cleaner if you are not focused.

2.3. Electronics

- You may not reconstruct, self-repair, or disassemble the spot cleaner. This can damage the device.
- Maintenance, modifications, and repairs may only be carried out by the manufacturer, a professional workshop appointed by the manufacturer, or a similarly qualified person.
- Check the device from time to time for damage. Never use the device if it shows signs of damage.
- Do not use any other mains plug for this device. This can cause failure and/or damage.
- Make sure your mains socket supplies the correct power voltage to avoid damage to the device.
- The mains socket must be located near the device and be easily accessible.

- To avoid possible safety risks, unplug the mains plug from the mains socket if you do not use the device for an extended period, and before cleaning.
- Never force the mains plug of the power cord into a mains socket; if it does not fit easily into the mains socket, stop using it. Always make sure that the mains plug of your device is properly connected to the mains socket.
- If the power fails during the operation, turn off the device immediately and pull the mains plug from the mains socket.
- If smoke is produced, or there are any unusual sounds or smells, switch off the spot cleaner immediately and remove the mains plug from the mains socket. In these cases, the spot cleaner should not be used until it has been inspected by the manufacturer, or a similarly qualified person. Never inhale smoke from a potential device fire. If you have inhaled smoke, however, consult a doctor. The inhalation of smoke can be harmful.
- In the event of a fire: Do not extinguish with water. Smother the flames with a fireproof blanket or a suitable fire extinguisher.
- For safety reasons, always unplug the device in case of a thunderstorm.

2.4. Power Cord

- Fully unwind the power cord before use.
- Do not modify the power cord.
- Check the power cord periodically for damage. Never use the power cord if there are any signs of damage.
- Do not touch the power cord if it is damaged. A damaged power cord can cause a deadly electric shock. First, power down the respective mains socket (e.g. via the respective circuit breaker) and then carefully pull the mains plug from the mains socket. Never use the device if the power cord is damaged.
- To prevent risks, damaged power cords may only be replaced by the manufacturer, a professional workshop appointed by the manufacturer, or a similarly qualified person.
- Never pull the mains plug from the mains socket by pulling at the power cord. Always pull it from the mains socket using the intended grips.
- Do not carry the spot cleaner by the power cord or use the power cord as a handle.
- Never wrap the power cord around the device. This will cause the cord to wear prematurely and break.
- Make sure that you do not trip over the power cord.
- Do not let the power cord hang over the edge of a table or counter.
- The power cord should not be kinked, trapped, or twisted.
- Make sure that the power cord is not squeezed, bent, damaged by sharp edges, or put under mechanical stress.
- Do not run the spot cleaner over the power cord.
- Do not position the power cord where it can be pinched or crushed by doors.
- Never tie a knot in the power cord.
- Avoid excessive thermal stress on the power cord from extreme heat or cold.
- If using an extension cord attached to the mains socket, make sure that the total electric power consumption of connected devices does not exceed the rated capacity.
- Children may get entangled when playing with the power cord (danger of strangulation). Power cords are not toys.

2.5. Heat & Cooling

- The spot cleaner may become warm during operation. This is normal.

- Do not cover the device or the ventilation holes while it is in operation as this may cause the spot cleaner to overheat. This poses a risk of fire, electric shock, or injury.
- Keep the device away from heat sources and away from areas where the ambient temperature is relatively high (e.g. stoves or other heat sources). Never use a device near naked flames (such as burning candles) or on hot surfaces.
- The spot cleaner is designed to work best in normal ambient temperatures between 0°C and 35°C and to be stored at temperatures between 0°C and 45°C. The device may be damaged and the life may be shortened if the device is stored or used outside this temperature range. Do not subject your devices to dramatic changes in temperature. Do not store your device in a hot car or direct sunlight for extended periods. Do not place the device near a window (especially in the summer).

2.6. Water



WARNING: This device is not waterproof. The spot cleaner has an IPX4 rating, which means that it is protected against water splashes but you cannot submerge it in water or liquids.

- Never use the spot cleaner with damp or wet hands. Moisture can cause electric shock or short circuits.
- Never touch the plug with damp or wet hands while connecting or disconnecting it from the mains socket. Moisture can cause electric shock or short circuits.
- Do not use the spot cleaner in or near a bath, shower, swimming pool, or any container filled with water, such as a sink.
- Do not use in wet environments and do not immerse in liquid. Never pour liquids over or near the spot cleaner. There is a risk of electric shock/short circuit! If liquid does get into the housing unplug it immediately and then turn off the spot cleaner.
- Do not reach for the device if it has fallen into the water. Immediately unplug it from the mains socket and only then remove it from the water.
- Make sure the device is standing on a dry surface.

2.7. Explosive Atmosphere

- Do not use the spot cleaner in areas with a potentially explosive atmosphere, such as areas where the air contains high levels of flammable chemicals, smoke, vapours, or particles (such as grain, dust, or metal powders).

3. INTENDED USE

The **KYMO** carpet & upholstery spot cleaner is intended for removing stains and spots from carpets, rugs, and upholstered furniture. It's specifically designed to target and clean localized areas where spills, dirt, or other substances have left visible marks. The device effectively removes embedded dirt and dust that regular vacuuming cannot reach.

The spot cleaner works by breaking down and lifting stains from the fabric or carpet fibres, restoring the appearance of the material and is commonly used for things like food spills, pet stains, and other accidental marks that don't require cleaning the entire carpet or piece of furniture.

There are no other uses for this product.



WARNING:

Only use this product as described in this user manual. Any other use is considered improper and may result in personal injury or material damage. **KYMO** is not liable for damage or injury resulting from improper or careless use.

4. THE PACKAGE

4.1. The Package

- 1x KYMO spot cleaner
- 1x Hose
- 1x Carpet brush
- 1x Glass brush
- 1x Crevice nozzle
- 1x User manual

4.2. Unpacking

Remove everything from the packaging and check for damage. If this is the case, do not use the spot cleaner. Be very careful when opening the package to avoid damage to the product.

After unpacking the product, check if the delivery is complete and if all parts are in good condition. If you are missing a part, or if you have a damaged part, contact us by e-mail: info@kymocleaning.com.

Before use, remove all packaging materials and stickers or labels.



NOTE:

Any water residue in the water tanks is caused by the device being tested after assembly and is not a defect.

4.3. Safety During Unpacking

Do not leave packaging material and the device lying around carelessly during unpacking. It may become dangerous playing material for children. Do not dispose of the packaging material until the spot cleaner has been tried and is working.



WARNING: Plastic bags & foils.

To avoid the danger of suffocation, keep plastic bags and foils away from babies and children. Thin foils may cling to the nose and mouth and prevent breathing.



**WARNING:** Strangulation Hazard.

Cables, cords, or strings longer than 18 cm can be harmful to babies and very young children. Children may get entangled while playing with the power cord or the hose. Do not leave the spot cleaner lying around.



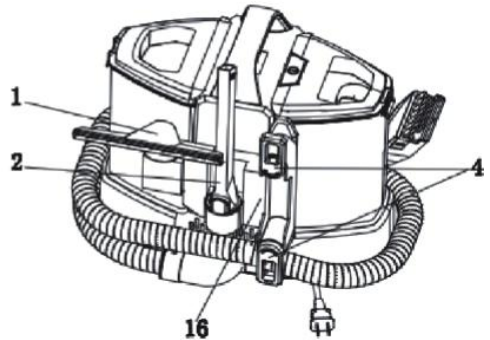
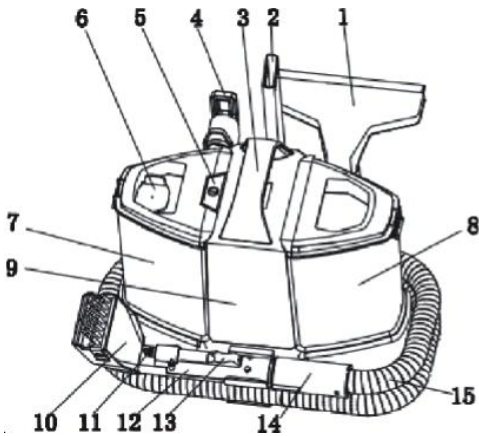
5. TECHNICAL DATA

**NOTE:**

Due to continuing improvements on our product, the technical specifications are subject to change without notice.

Product name	Carpet & upholstery spot cleaner
Model	SC04
Brand	KYMO
Colour	Blue
Material	ABS
Supply voltage	220-240V 50/60Hz
Power	500W
Protection class	II
Noise level	≤ 80dB
Clean water tank capacity	1500ml
Dirty water tank capacity	750ml
Vacuum	11Kpa
Power cord length	5m
Hose length	1.3m
Ingress protection	IPX4
Operating temperature	0-50°C
Net Weight	3.745kg
Dimensions	410x270x380mm
Certifications	CE, RoHS, UKCA, CB

6. PRODUCT PARTS



- | | |
|---------------------------------|----------------------|
| ① Glass suction brush head | ⑨ Spot cleaner |
| ② Long-flat crevice nozzle head | ⑩ Carpet brush |
| ③ Handle | ⑪ Spout |
| ④ Reel hook | ⑫ Self-cleaning tube |
| ⑤ ON/OFF button | ⑬ Water spray |
| ⑥ Clean water tank plug | ⑭ Hose connector |
| ⑦ Clean water tank | ⑮ Hose |
| ⑧ Dirty water tank | ⑯ Accessory rack |

7. PRODUCT USE

7.1. Notices Before Use

- Do not use the spot cleaner on sensitive surfaces such as silk, fur, leather, delicate fabrics, solid wood, lacquered wood products, lacquerware, or on other surfaces that scratch easily (e.g., floors, tabletops, etc.).
- Do not tilt the device when water is in the tank to prevent wetting the floor.
- If the dirty water tank reaches the Max mark, stop the spot cleaner and empty the tank.
- Ensure that the detergent used is safe for the items being washed.

- The spot cleaner may shut off when cleaning long-hair carpets if the air outlet becomes blocked. Stop the device and empty the dirty water tank if excessive foam or dirty water is released before resuming use.
- Do not use foam detergent.
- Do not use the device to vacuum flammable or combustible materials, including cigarettes. Do not operate the device in areas where such materials may be present.
- Do not operate the device if the hose is damaged, and avoid bending, stepping on, or pulling the hose forcefully.
- Ensure the air outlet is not blocked to maintain proper heat dissipation.
- Never use the device without the dirty water tank properly in place.

! **DO NOT VACUUM THE FOLLOWING ITEMS:**

- Dry dust.
- Large amounts of powder.
- Large amounts of sand and stones.
- Large amounts of trash.
- Sharp or pointed objects such as glass, needles and pins.
- Plastic bags and stockings.
- Items that can easily get sucked in.
- Oil.
- Hot air.
- Toxic materials (chlorine bleach, ammonia, drain cleaner, etc.).
- Inflammable or explosive substances.
- Anything that is glowing, burning or smoking, such as cigarettes, matches, or hot ashes.

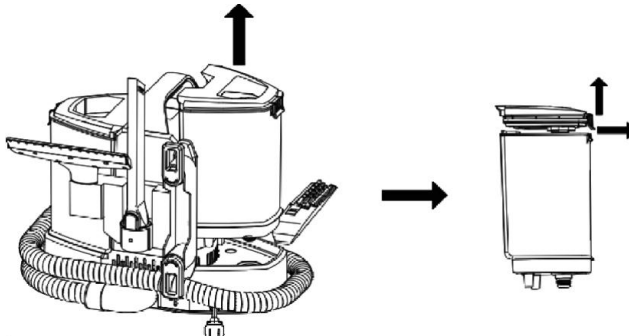
7.2. Adding Water to the Clean Water Tank

1. Disconnect the power cord from the mains outlet.

! **WARNINGS:**

- Never (re)fill the water tank when the power cord is plugged into the mains outlet.
- The recommended liquid to be used is tap water. The clean water tank must not be filled with water at a temperature higher than 40°C.

2. Pull up the clean water tank obliquely to remove the tank as a whole. Remove the clean water tank, open the water tank cover and add water.



3. Mount the clean water tank back to the device.
4. Connect the power cord to a mains outlet.

**WARNING:**

Do not fill too much water into the water tank. The maximum tank capacity is 1500ml. Overfilling causes leakage.

7.3. How to Use

**WARNINGS:**

- Do not use the device as a conventional vacuum cleaner. It is necessary to spray water first and then absorb water. It is not possible to directly suck up dry garbage.
- Always make sure that there is no risk of the device tipping over. The water could leak out of the water tanks.
- Do not excessively wet the upholstery or the carpet.

1. Put the spot cleaner on a flat surface.
2. Fully unwind the power cord before use.
3. Connect the power cord to a mains outlet.
4. Push the ON/OFF button to start the spot cleaner. Push the ON/OFF button again to stop the spot cleaner.
5. Hold the cleaning brush, press and hold the "water spray switch button" at the bottom of the cleaning brush, and the cleaning brush will continue to spray water. Release the button and the water spray stops.
6. Spray water on the stained area on the surface. Wipe it repeatedly with the cleaning brush after spraying. Brush back and forth to clean the stains.
7. Press the brush in the stain to suck the stain and dirty water into the dirty water tank. Do this repeatedly several times to quickly clean the stain.

**NOTES:**

- During the cleaning, walk next to the device. Do not step on the wet carpet!
- Once the dirty water tank fills up to the Max mark, it will have to be emptied (see the chapter "CLEANING - Cleaning Procedure").

7.4. How to Clean Stubborn Stains

The **KYMO** spot cleaner can be used with a non-foaming cleaning solution or fabric detergent to clean stubborn stains on upholstery; simply fill the clean water tank with tap water and the appropriate detergent in the correct proportion up to the Max mark line.

**WARNING:**

Do not use foam detergent.

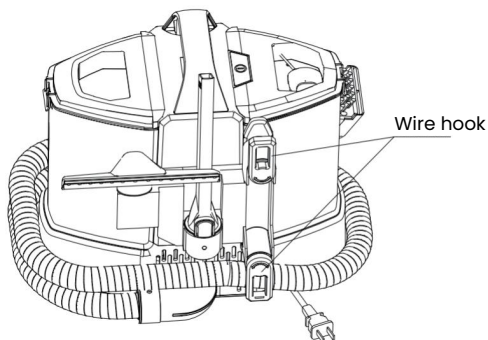
7.5. After Use



NOTE:

Empty both water tanks after every use.

- Push the ON/OFF button to turn off the device.
- Disconnect the power cord from the mains outlet.
- Wind the power cord on the wire hook on the back of the spot cleaner.
- Wind the hose in the storage slot at the bottom of the spot cleaner.



- Let the freshly cleaned upholstery or carpet dry completely.
- Do not sit or step on the carpet or upholstery as long as it is still wet.

8. THE ATTACHMENTS

Glass suction brush head:

To be used for cleaning glass and removing stains from large surfaces.



Carpet suction brush head:

To be used for cleaning stains on carpets and sofas.



Long-flat crevice nozzle head:

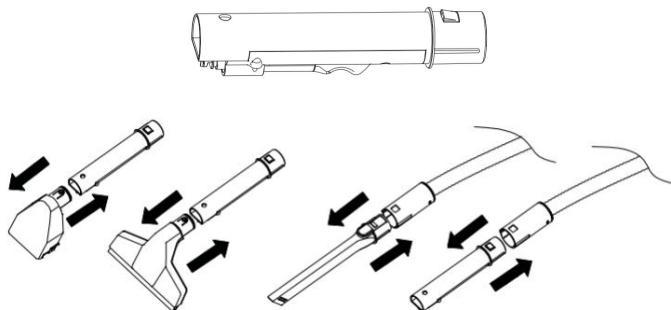
Suitable for cleaning corners of doors, windows, walls, and dust on sofas, tables, etc.

2

**Self-cleaning tube:**

To be used for self-cleaning the internal pipes of the spot cleaner after the cleaning is finished. Remove the cleaning brush as shown and replace it with a wide or self-cleaning tube.

12



9. TROUBLESHOOTING

If the device does not work properly, first check whether you can rectify the problem yourself. If the problem cannot be solved with the steps that are listed, feel free to contact us.



Problem	Cause	Solution
The spot cleaner does not spray water.	<ol style="list-style-type: none"> 1. There is a nozzle blockage. 2. There is a water shortage in the clean water tank. 	<ol style="list-style-type: none"> 1. Remove the nozzle blockage with a fine needle. 2. Add water to the clean water tank in time.
There is an abnormal noise.	<ol style="list-style-type: none"> 1. The suction port is blocked or large pieces are sucked up. 2. There is a motor failure. 	<ol style="list-style-type: none"> 1. Clear blockages in time. 2. Contact us.
There is weak suction or no water absorption.	<ol style="list-style-type: none"> 1. There is too much water in the dirty water tank. 2. Dirt is blocking the suction. 	<ol style="list-style-type: none"> 1. Clean the waste water tank in time. 2. Clear blockages in time.
The spot cleaner acts abnormally or inoperative.	The ambient temperature is too high or too low.	Keep the device at a suitable ambient temperature (0°C-50°C).

10. CLEANING

10.1. General Cleaning Guidelines

- Always unplug the device from the mains socket before cleaning.
- A slightly moist or dry cloth is recommended for cleaning the exterior of the spot cleaner. Dry with a soft cloth.
- Be careful not to put too much pressure on the ON/OFF button while cleaning.
- Do not immerse the spot cleaner in water or any other liquids. It is not allowed to rinse the device with water, to prevent the water from leaking into the electrical circuit and causing malfunctions.
- Under no circumstances use aggressive cleaning agents, cleaning alcohol, or other chemical solutions since these can penetrate the housing or impair functionality.
- Do not use abrasive objects for cleaning.
- Cleaning must not be performed by children.

10.2. Cleaning Procedure

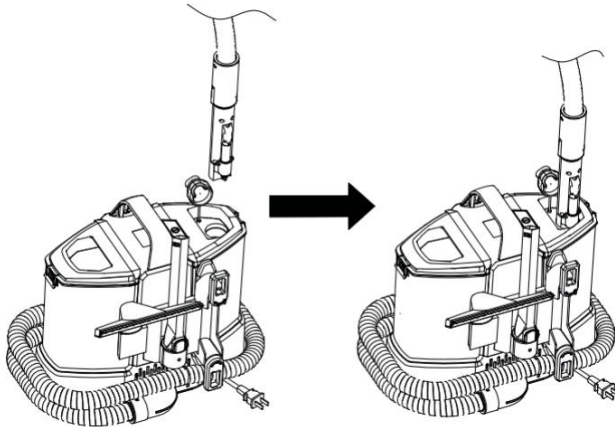
The brushes:

When the brush (1, 2, or 10) becomes tangled in hair or clogged with dirt, clean and maintain it in time.

- When the brush is entangled with hair, remove the hair or dirt on the bristles.
- If the brush becomes blocked, remove the transparent cover on top of it and use a long, narrow tool to clean the air duct inside the brush handle.

The hose:

After placing the self-cleaning brush, press the ON/OFF button and keep pressing the water spray switch button to clean the internal pipes of the spot cleaner.



The clean water tank:

The clean water tank has to be emptied and rinsed out before you store the device.

- Take the clean water tank out of the spot cleaner and empty it.
- Rinse the tank out thoroughly.
- Allow the tank to dry completely before placing it back in the spot cleaner.

The dirty water tank:After use:

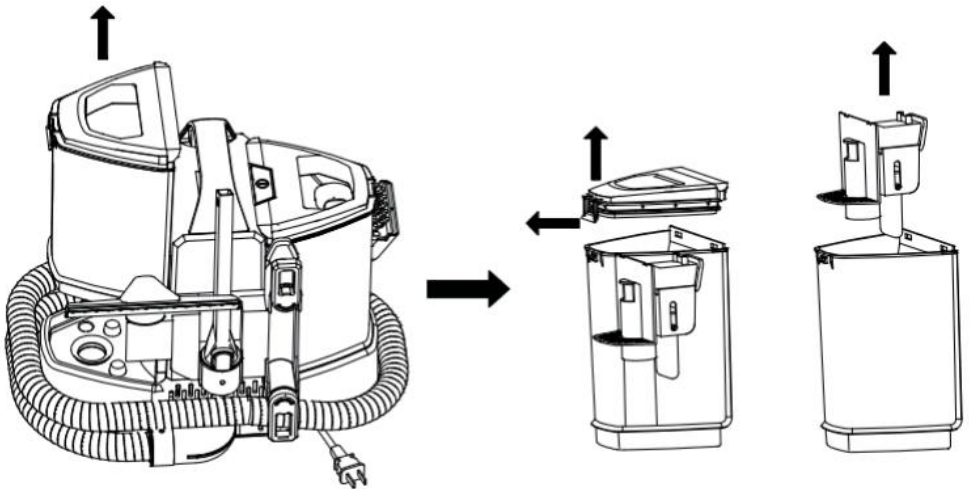
The dirty water tank has to be emptied and rinsed out before you store the device.

During use:

To maintain the performance of the spot cleaner, please clean the waste water tank regularly. If there is too much dirty water in the dirty water tank, the suction of the spot cleaner will be weakened.

If the water level reaches the maximum water level, the dirty water tank should be cleaned in time.

- Take the dirty water tank out of the spot cleaner and empty it (see the picture below).
- Rinse the tank out thoroughly with warm water.
- Allow the tank to dry completely before placing it back in the spot cleaner.



Pull up the dirty water tank obliquely to remove the dirty water tank as a whole, remove the tank cover, open the cover and clean the waste water tank.

11. MAINTENANCE & SERVICE

- Apart from cleaning the spot cleaner is maintenance-free.
- You may not reconstruct, self-repair, or disassemble the spot cleaner.
- Check regularly for damage and severe wear.



WARNINGS:

- Do not attempt to open the spot cleaner for maintenance. Removing the housing or improper reassembly may cause electric shocks, damage, short circuit, or fire.
- If for any reason you open the housing, the warranty will become null and void. The spot cleaner contains no user-serviceable parts.
- Maintenance, service, and repairs may only be carried out by the manufacturer, a professional workshop appointed by the manufacturer, or a similarly qualified person. To obtain maintenance or service, contact us first at our e-mail address info@kymocleaning.com.

- For missing accessories such as the manual or other items, contact us at the above-mentioned e-mail address.
- In case of a defect, return the product to **KYMO** with a failure description, proof of purchase, and all accessories.

12. STORAGE & TRANSPORT

- We advise cleaning the spot cleaner before long-term storage (see the chapter "CLEANING").
- Store the spot cleaner in a place not exposed to sunlight & humidity, and which is dust-free.
- Do not store wet or damp parts, as mould may develop.
- Drain the water tanks before storage.
- Do not store the spot cleaner at extremely high or extremely low temperatures. This can damage the device.
- Store the device beyond the reach of small children.
- Wind the power cord on the wire hook on the back of the spot cleaner.
- Wind the hose in the storage slot at the bottom of the spot cleaner.
- Protect the device against vibrations and shocks during transport.

13. DISPOSAL & RECYCLING

This product is designed and manufactured with high-quality materials and components, which can be recycled and reused.

13.1. Device Disposal



This product complies with the Waste Electrical and Electronic Equipment Directive 2012/19/EU (WEEE).

The crossed-out wheeled bin symbol indicates that, at the end of its life, the product must be disposed of separately from normal household waste and taken to a separate collection centre for the recycling of electrical and electronic equipment or returned to the seller at the time a new similar device is purchased.

The user is responsible for taking the product to a waste collection service at the end of its service life. Correct separate collection of waste with a view to subsequent recycling, processing, and environmentally friendly disposal of the product helps to prevent possible negative impacts on the environment and health and promotes the recycling of the materials of which the product is composed. The unlawful disposal of the product by the user may result in administrative sanctions as stipulated by law. For more detailed information on the recycling of this product and the collection systems available, contact your local waste disposal service or the shop where you purchased the product.

Comply with your legal obligations and contribute to the protection of the environment.

When disposing of the spot cleaner, safely cut the power cord to ensure that the device can no longer be used.

13.2. Packing Material Disposal



Follow the notes and markings on the packaging.

Ensure that plastic bags, packaging, etc. are disposed of in an environmentally sound manner. Do not just dispose of these materials with your normal household waste, but make sure they are collected for recycling.

14. WARRANTY & LIABILITY

KYMO guarantees that for one year from the date of purchase, this product will be free from defects in materials and workmanship. This warranty applies to products used for personal purposes, and not for commercial or rental purposes. **KYMO**, at its discretion, will replace or repair this product or any component of the product found to be defective during the warranty period. Replacement will be made with a new or refurbished product or component. If the product is no longer available, a replacement may be made with a similar product of equal or greater value, no refunds shall be given. This is your exclusive warranty. Your replacement unit will be returned to you for no charge and will be covered under this warranty for the balance of the warranty period.

This warranty is valid for the original purchaser from the date of initial purchase and is not transferrable. Proof of purchase is required to obtain support under the warranty.

This warranty does not cover:

- negligent use or misuse of the product;
- use with incorrect voltage or current;
- damage resulting from falls;
- water damage;
- use contrary to the operating instructions;
- disassembly, repair, or modification by anyone other than **KYMO**;
- damage caused by accidents or disasters, such as fire, flood, earthquake, war, vandalism, or theft;
- damage caused by incorrect maintenance and storage;
- damage caused by incorrect assembly;
- damage caused by incorrect connections;
- normal wear and tear.

Damage caused by failure to observe this manual will void the warranty. We do not accept any liability for consequential damage. We accept no liability for material damage or personal injury caused by improper use or failure to observe the safety instructions. In such cases, the warranty becomes void.

KYMO reserves the right to make changes at any time, without notice or obligation, in the user manual, colours, specifications, accessories, materials, and models.

All rights reserved. No part of this publication may be reproduced, distributed, or transmitted in any form or by any means, including photocopying, recording, or other electronic or mechanical methods, without the prior written permission of the publisher, except in the case of brief quotations embodied in critical reviews and certain other non-commercial uses permitted by copyright law. For permission requests, contact us at the address/e-mail on the last page.

KYMO

Kymo Online V.O.F.

Kvk No.: 89876539

VAT No.: 865139714B01

The Netherlands

E-mail: info@kymocleaning.com

© 2024 KYMO

Document version: 2024-09-20