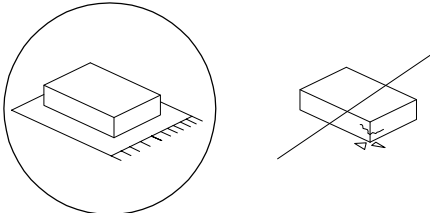
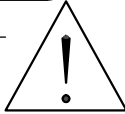

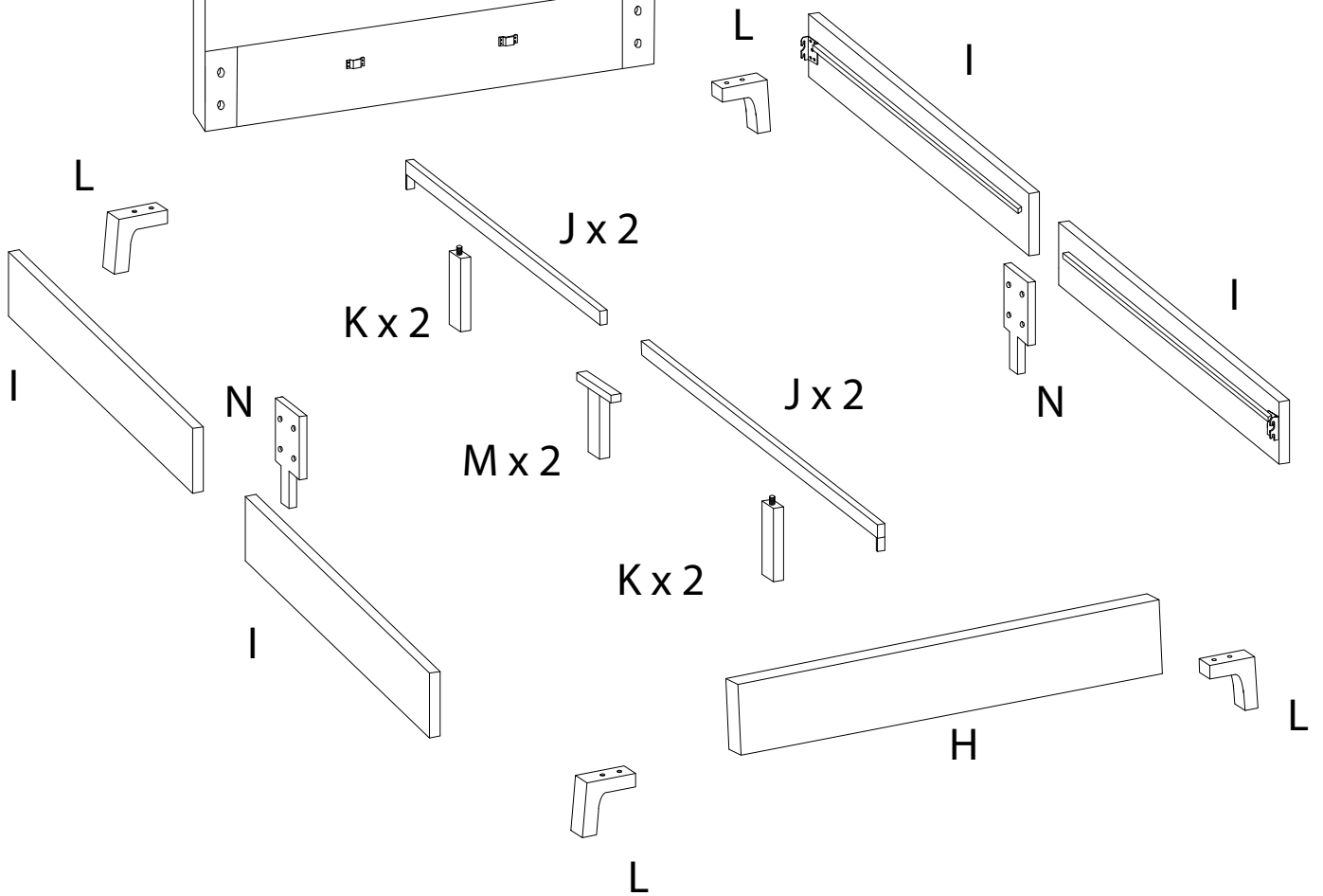
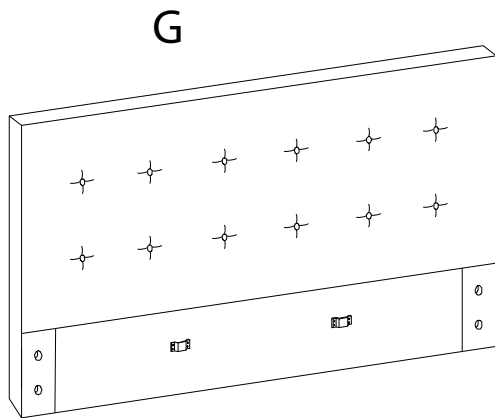
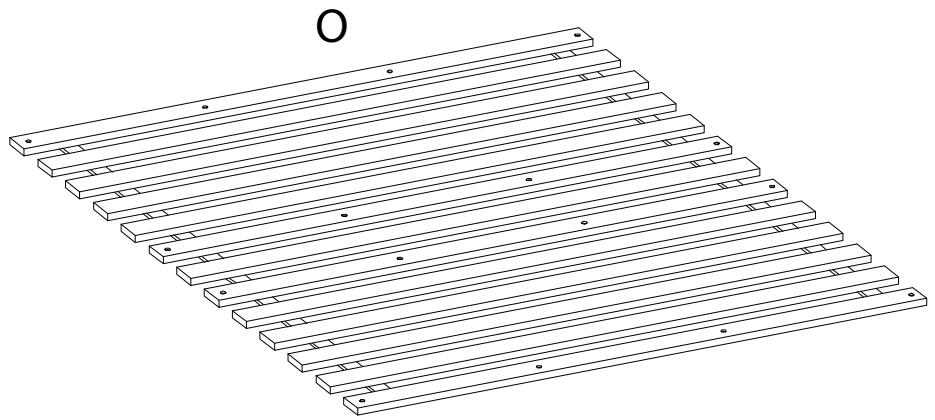

		<b>40'</b>
		
		<b>2</b>

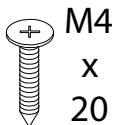


A



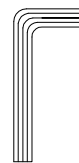
x 1

B



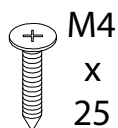
x 4

C



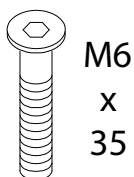
x 1

D



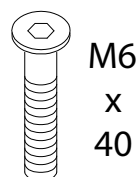
x 16

E



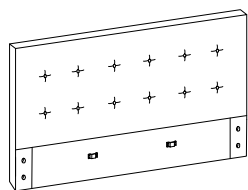
x 12

F



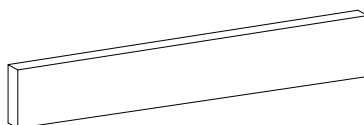
x 8

G



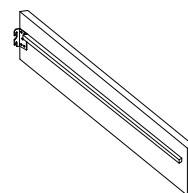
x 1

H



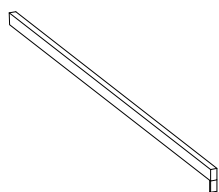
x 1

I



x 4

J



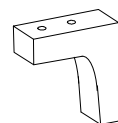
x 4

K



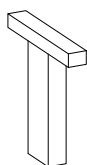
x 4

L



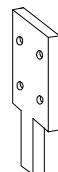
x 4

M



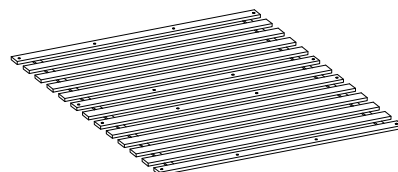
x 2

N



x 2

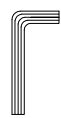
O



x 1

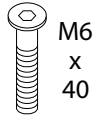
1

C



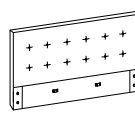
x1

F



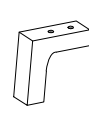
x4

G

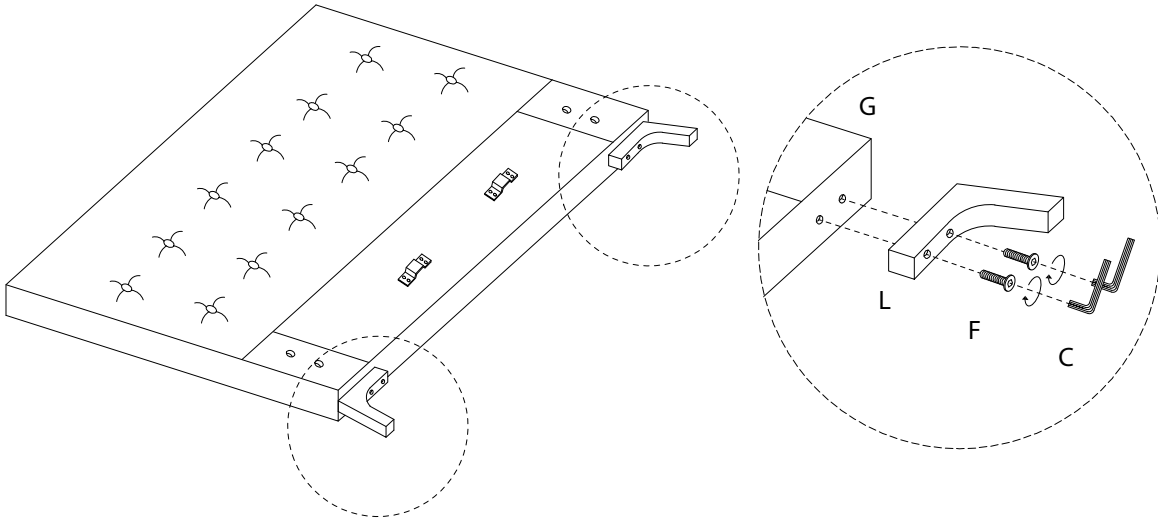


x1

L

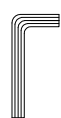


x2



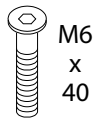
2

C



x1

F



x4

H

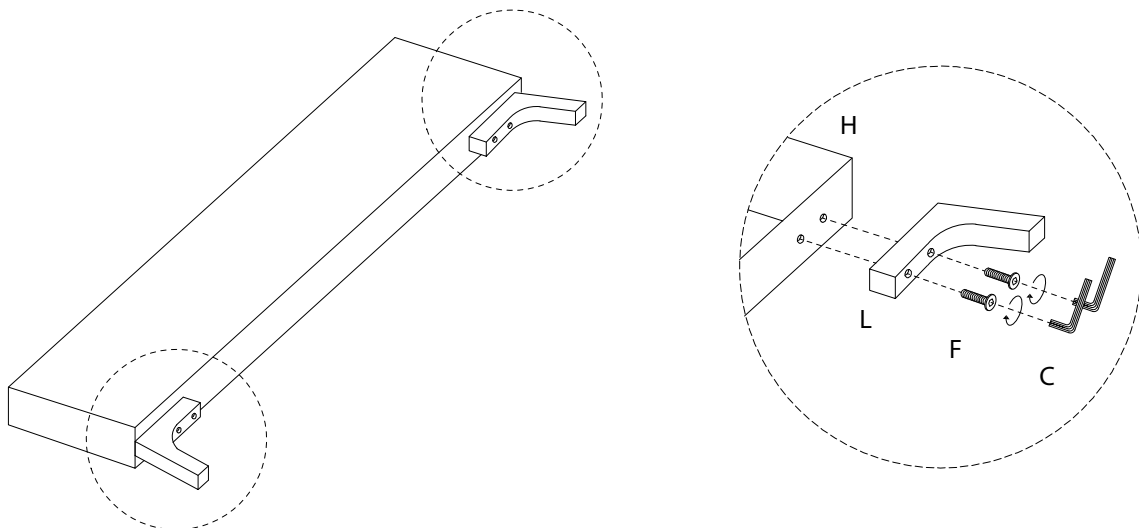


x1

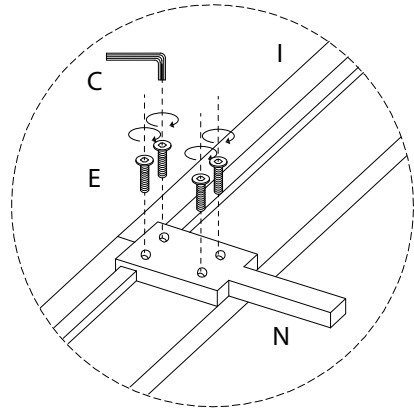
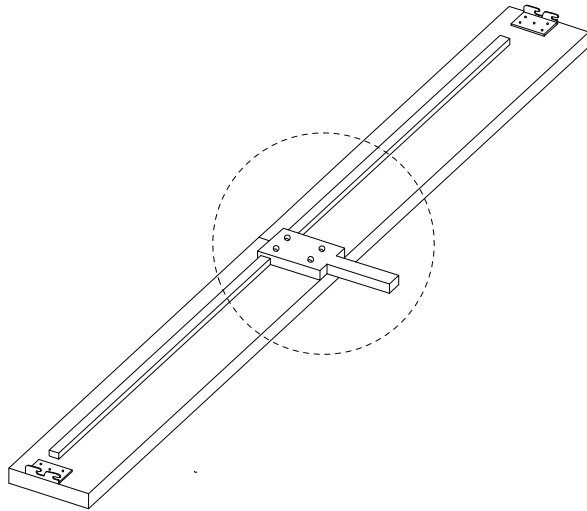
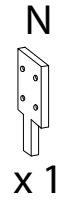
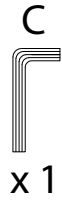
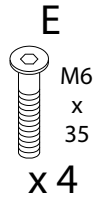
L



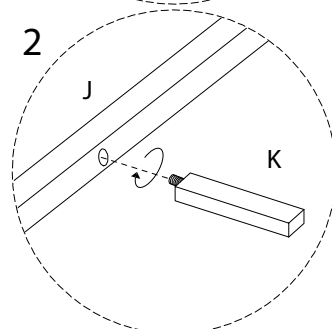
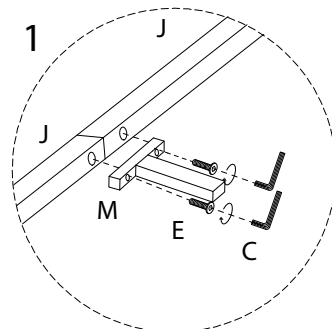
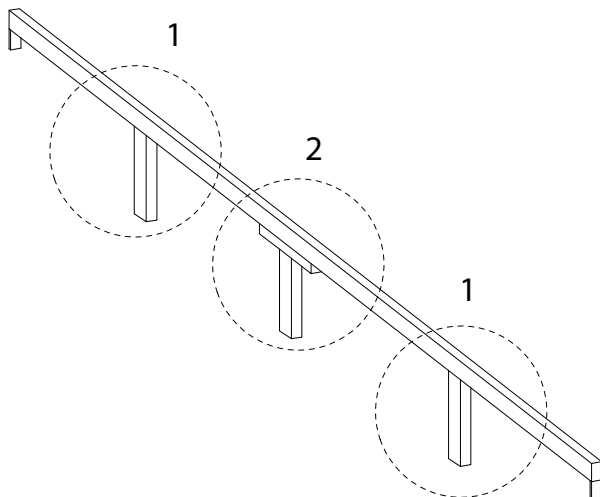
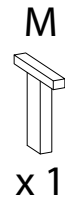
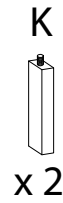
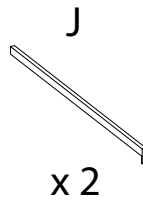
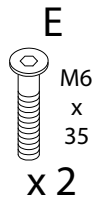
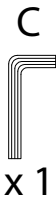
x2



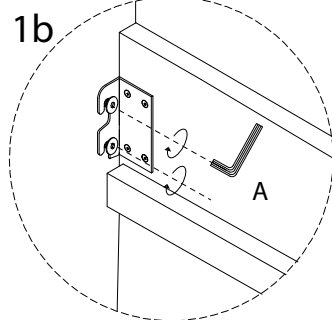
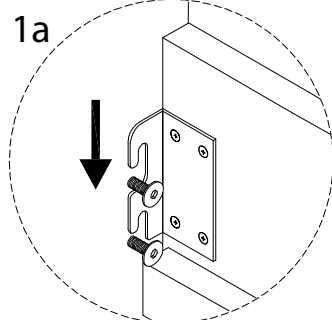
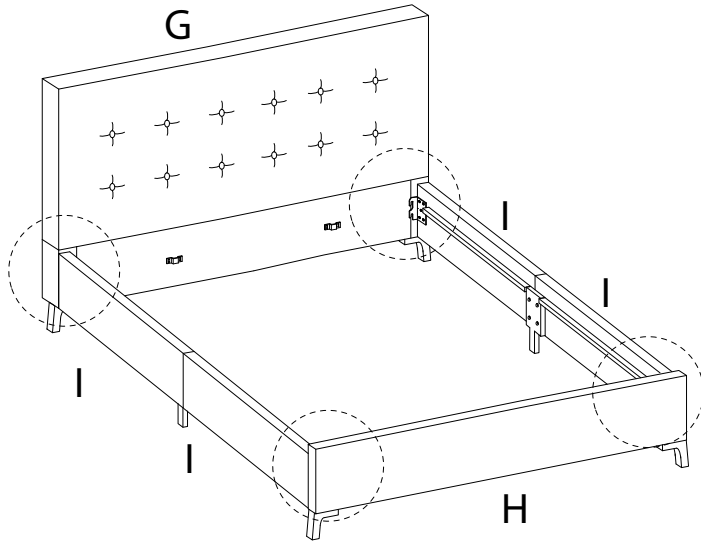
3 x 2



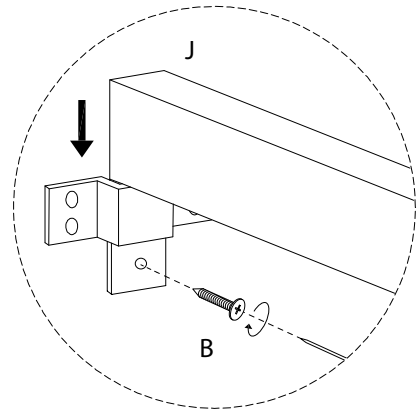
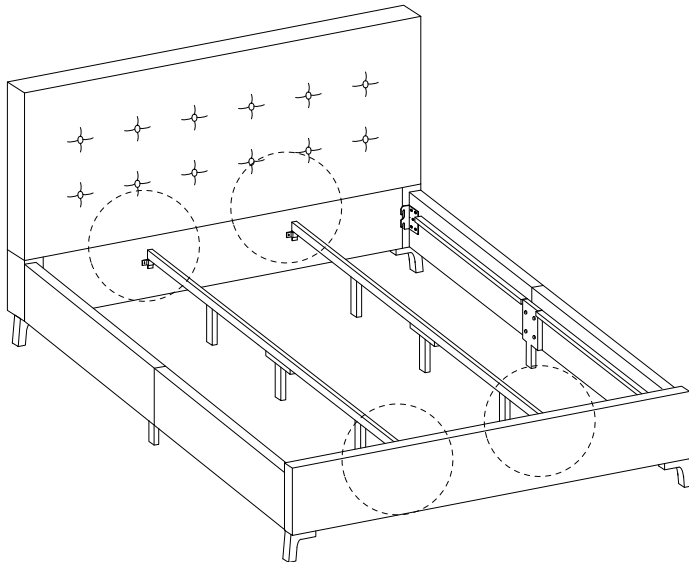
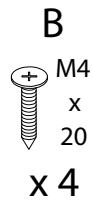
4 x 2



5



6



7

D  
M4  
x  
25  
x 16

O  
x 1

