

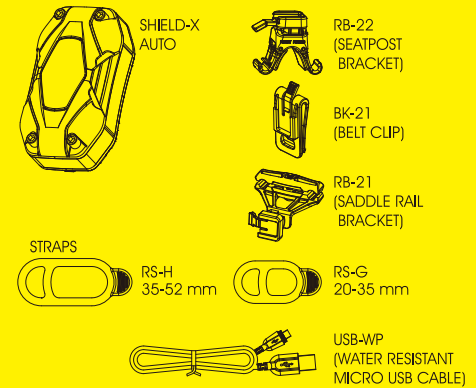
SHIELD-X AUTO

MANUAL



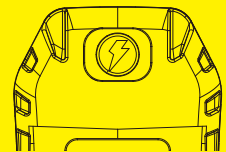
Read this manual carefully before using and keep for future reference. Visit www.moon-sport.com for manual updates.

CONTENTS



Optional accessories:
 RB-19 (REAR RACK MOUNT)
 RB-23 (HELMET MOUNT)
 USB-RM-1200 (USB REMOTE CONTROL)

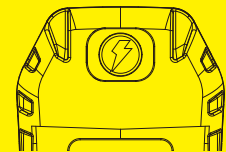
OPERATION



ON / OFF : Press 1s
 MODE SELECT : Click
 STEADY / FLASH : Double Click

* Mode memory: The light resumes previous mode upon next usage.

LIGHT SENSITIVE AUTO ON/OFF



The intelligent light sensitive system automatically turns light on/off according to environmental brightness.

1. Turn on the light: Press 1s
 2. Auto/Normal status: Press 3s
 3. Select mode and turn off light
- *Sensor has a 30 seconds delay when in well-lit environment before light turns off.
 *Max Auto on/off standby time: 250 hrs.

Auto status (GREEN) Normal status
 Turn off the light sensitive function before storing

RUNTIME

ANSI FL1	MODE1	MODE2	MODE3	MODE4	
LUMEN	15	30	50	80	
H:MIN	7:00	3:45	2:00	1:30	
ANSI FL1	FLASH 1	FLASH 2	FLASH 3	FLASH + SD	DAY FLASH
LUMEN	15	35	80	35	300
H:MIN	42:00	19:00	8:30	11:00	18:00

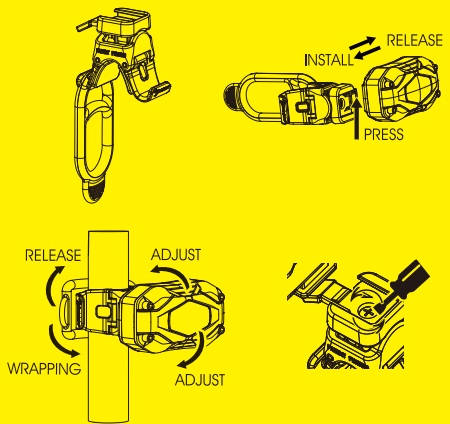
AUTO SAFE MODE



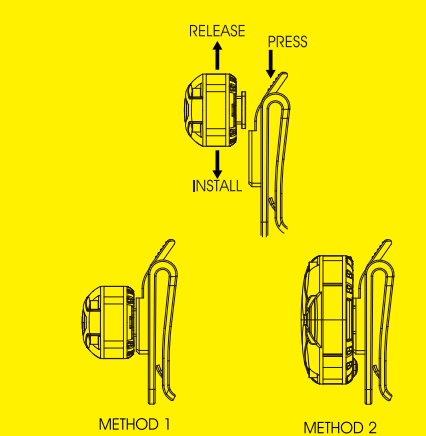
To preserve battery when power is low, the light will enter safe mode with less light output for extra **1hour**. Safe mode cannot be override. Recharge battery for maximum performance.

MOUNTING

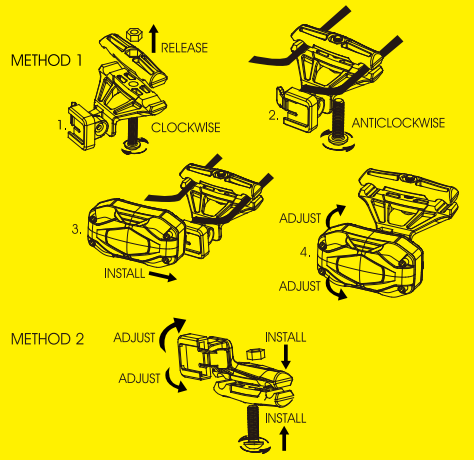
SEATPOST MOUNTING



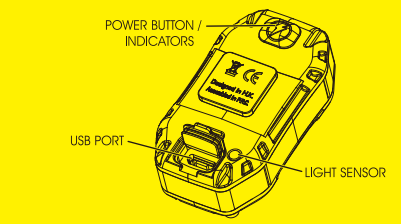
BELT CLIP MOUNTING



SADDLE RAIL BRACKET MOUNTING



CHARGING



CHARGING
 1. Power off
 2. Plug USB cable to USB port
 3. Unplug after fully charged

* Do not charge over 5V.
 * Keep away from flammable objects while charging.

INDICATOR (BLUE)
 Low battery Auto safe Charging Fully Charged

WARNING

Understand country lighting laws and regulations before use. Do not shine light directly into eyes. Do not mount near wireless computer. Do not blind the oncoming vehicles. Always adjust the angle downward. Do not submerge the light into water. Keep light in cool and dry place when storing. Fully recharge the light at least every 3 months during storage.

WARRANTY

MOON lights are covered by a ONE YEAR LIMITED WARRANTY while MOON batteries are covered by 120 days warranty from the date of purchase. This warranty covers the defects in material and workmanship only with proof of purchase. Please contact original dealer for warranty service. For lights bought on MOON website, please contact cs@moon-sport.com for help.

ONLINE WARRANTY REGISTRATION
 Visit www.moon-sport.com for online warranty registration.