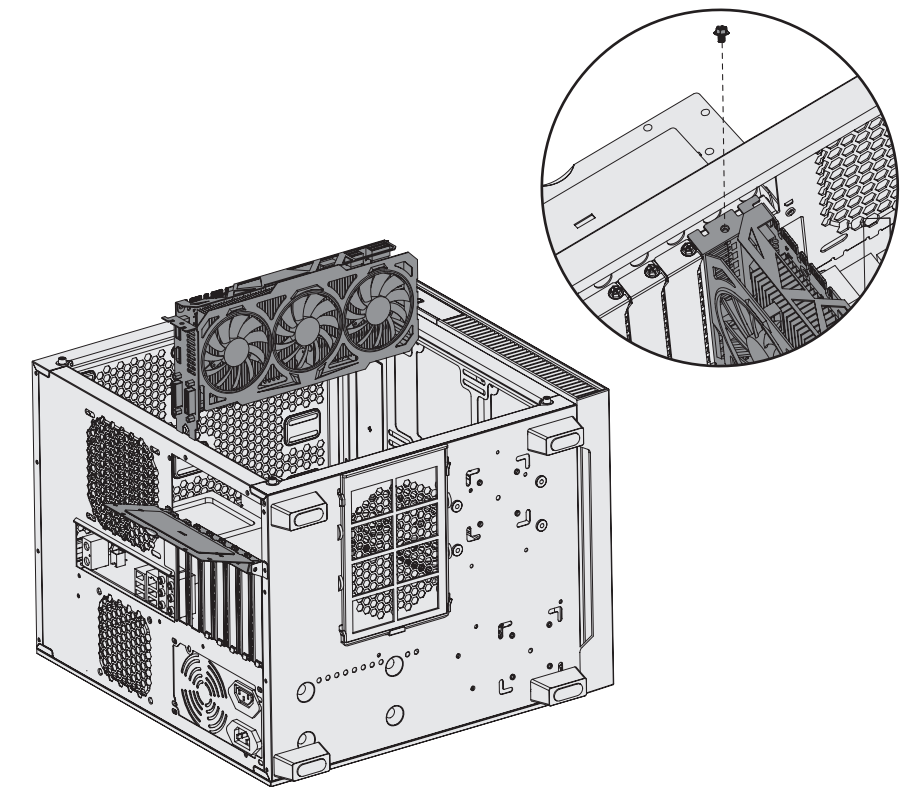
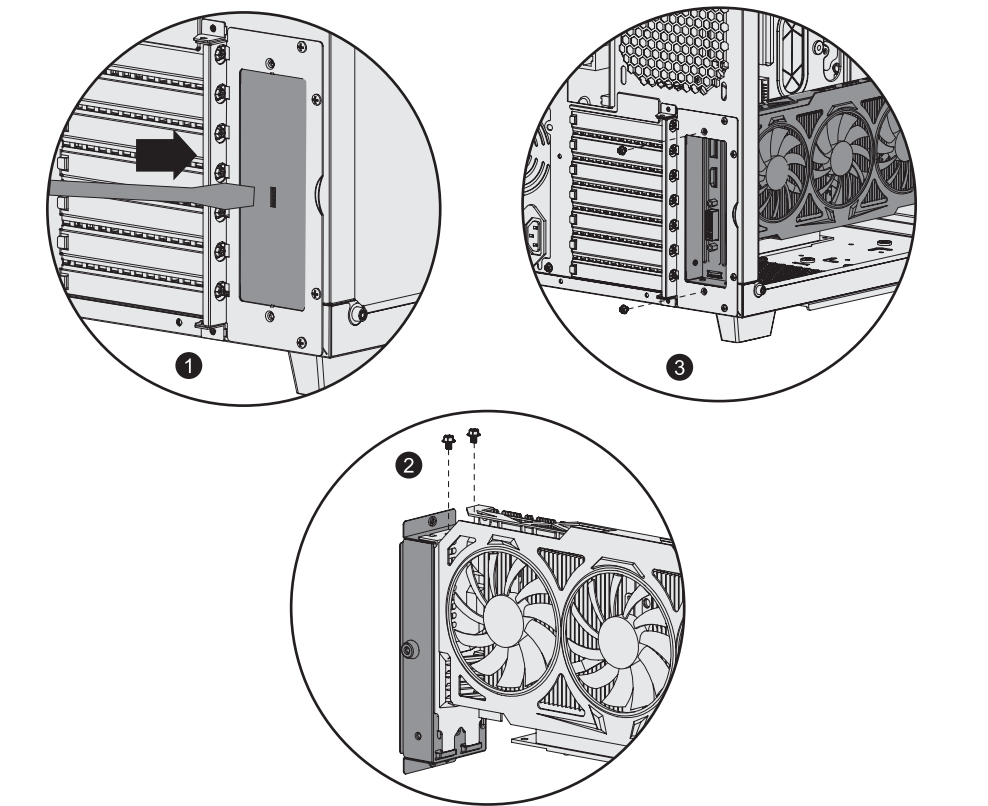


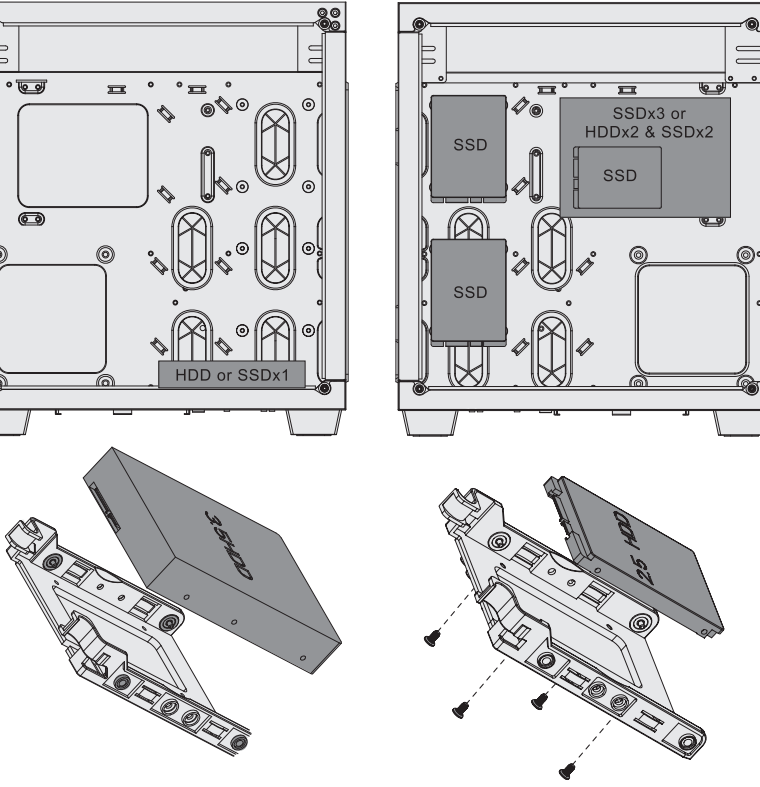
7. Graphic Card



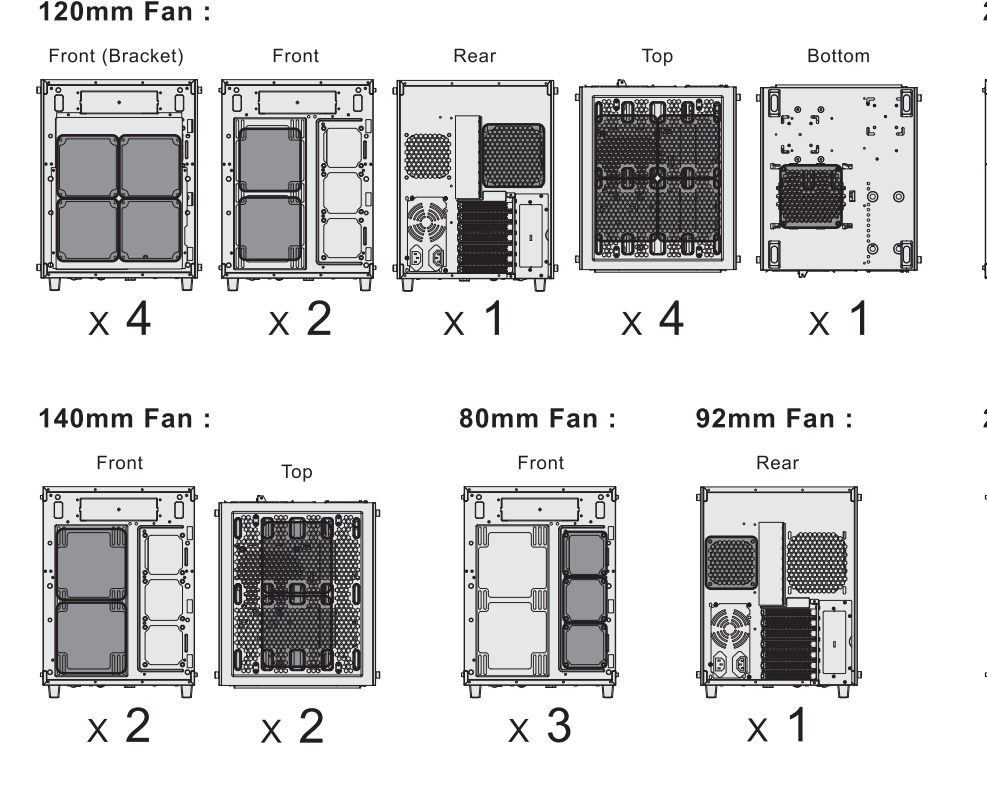
8. Graphic Card (Vertical)



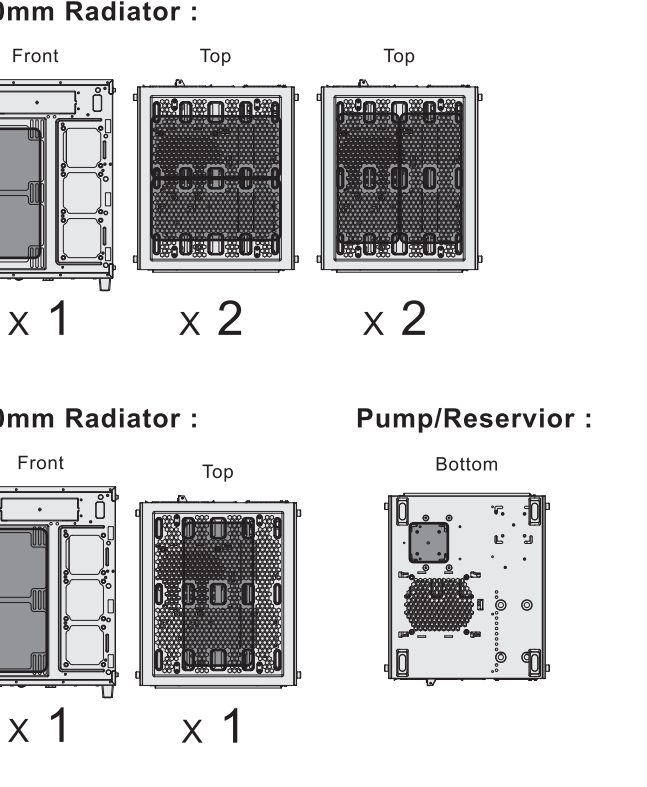
9. 3.5 HDD, 2.5 SSD



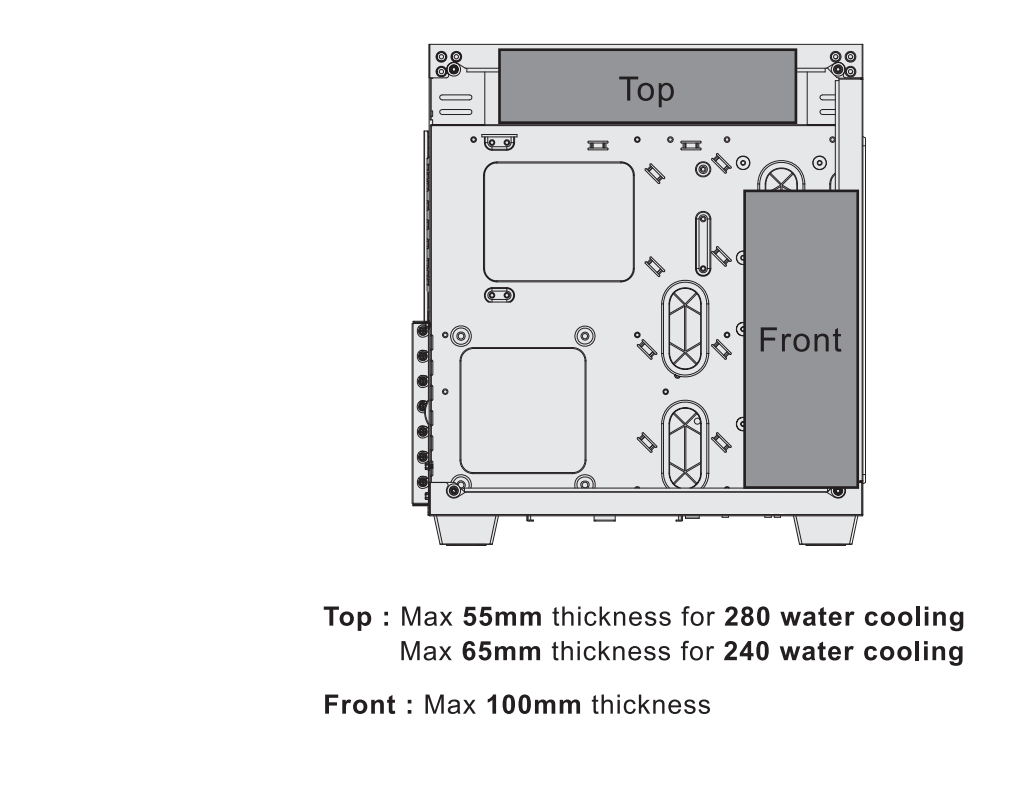
10. Fan installation



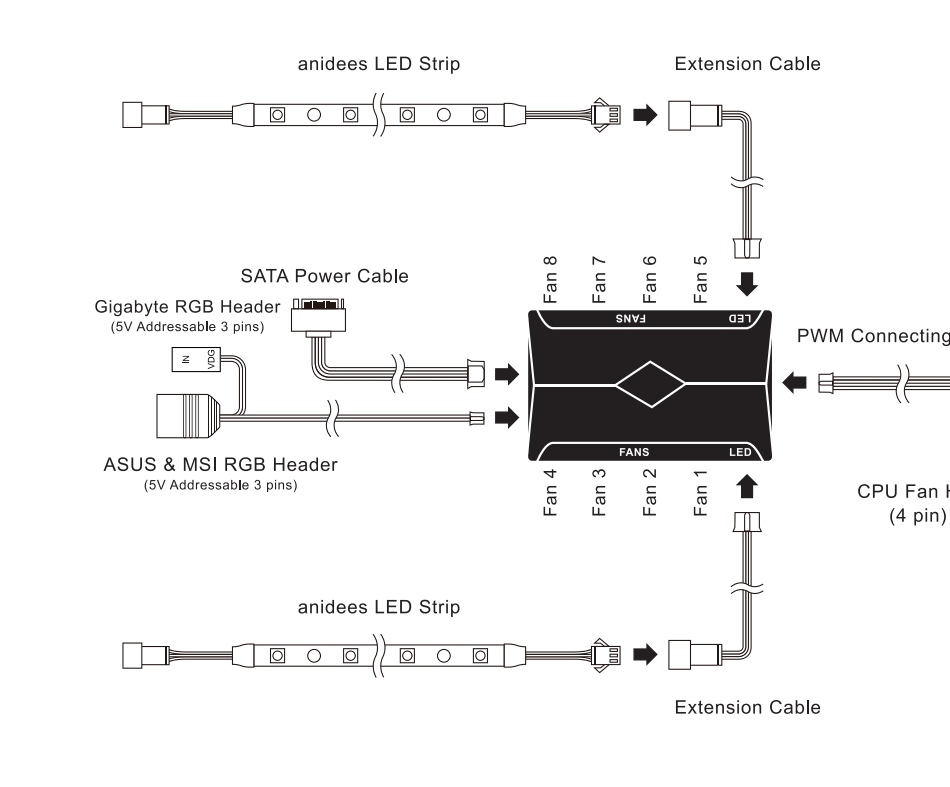
11. Radiator installation



12. Max Water Cooling Compatibility (the total thickness of fan and rad)



13. Installation Diagram :



14. RF Wireless LED / Fan Speed Control

LED On / Off

LED On / (Fan Hub connect to RGB Header on motherboard) / Off

LED Fast / Slow

Cycling through lighting effects automatically

Mode 1 - 9

Brightness Down / Up

Static White

Static Red

Static Green

Static Blue

No Function

Press five time in a row to lock the remote control, unlock to press 5 time again.

Fan Speed Control Low / Medium / High

*NO Function once PWM works, Fan Hub connect to CPU Fan Header on MB