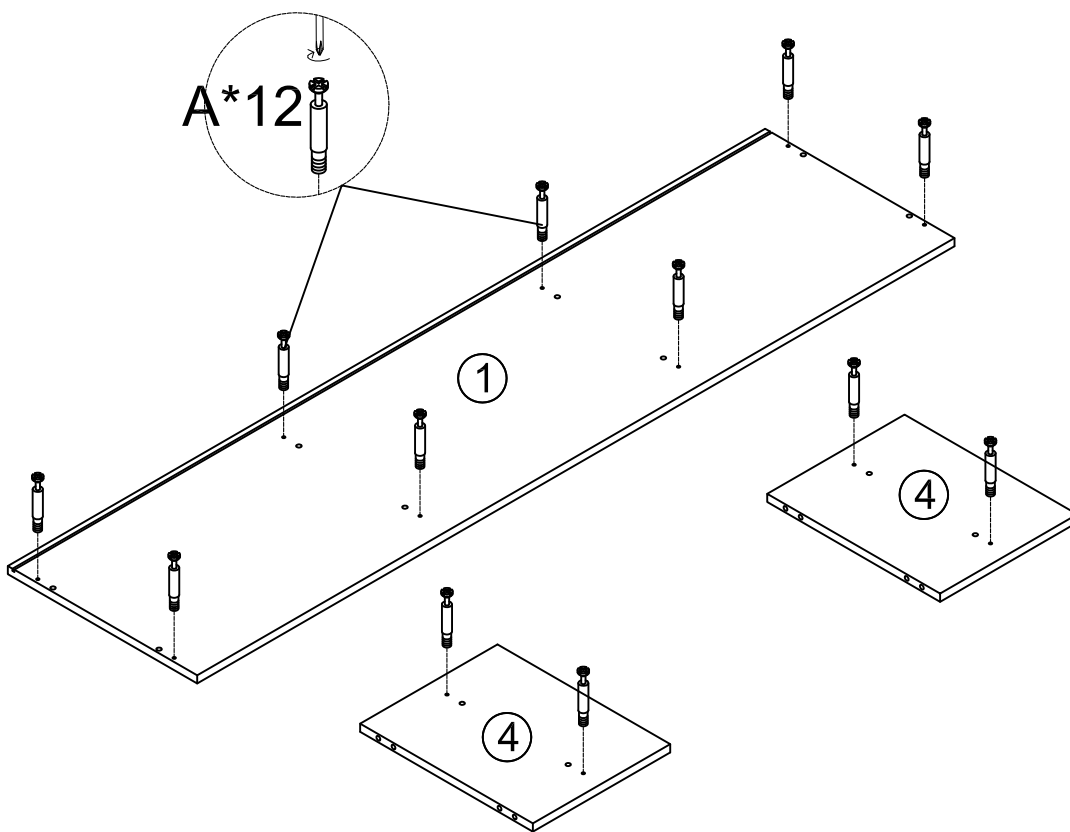
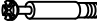
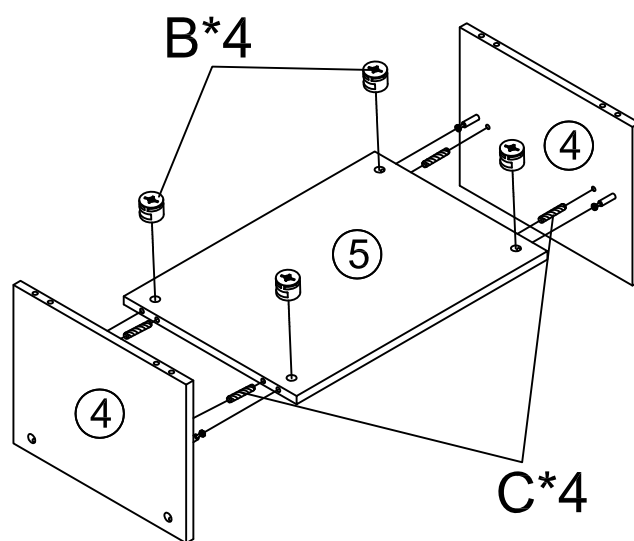



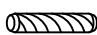
1



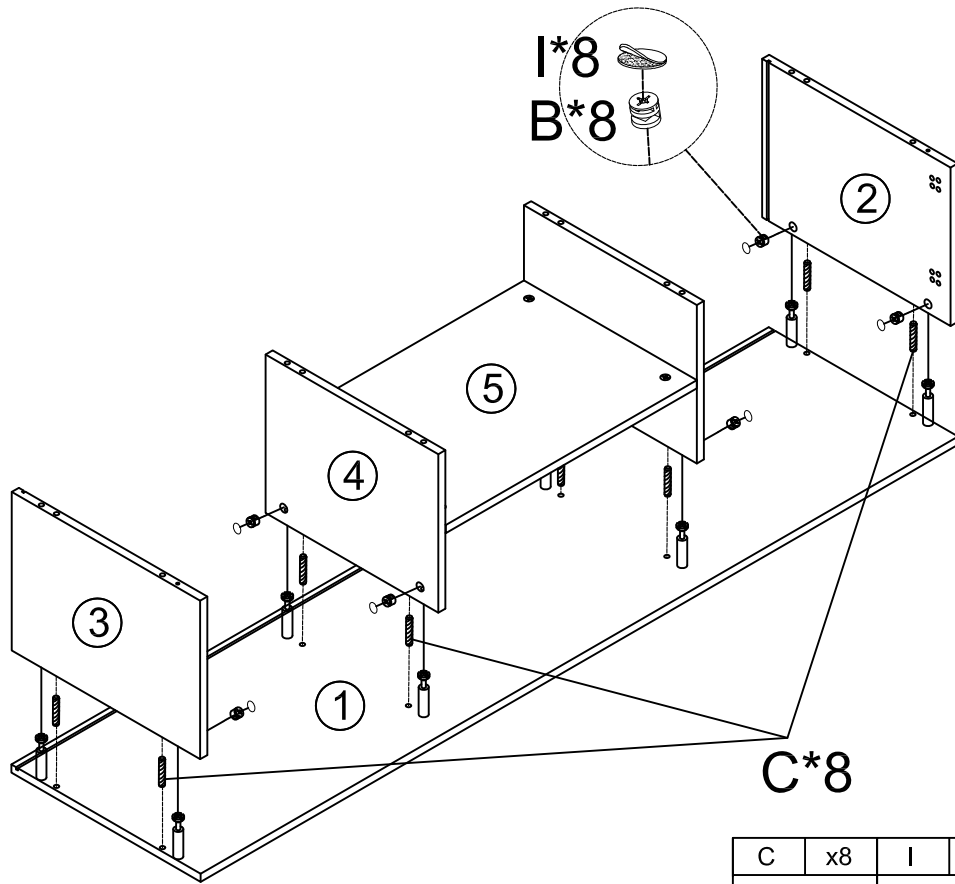
A	x12
	
M6*35mm	




2



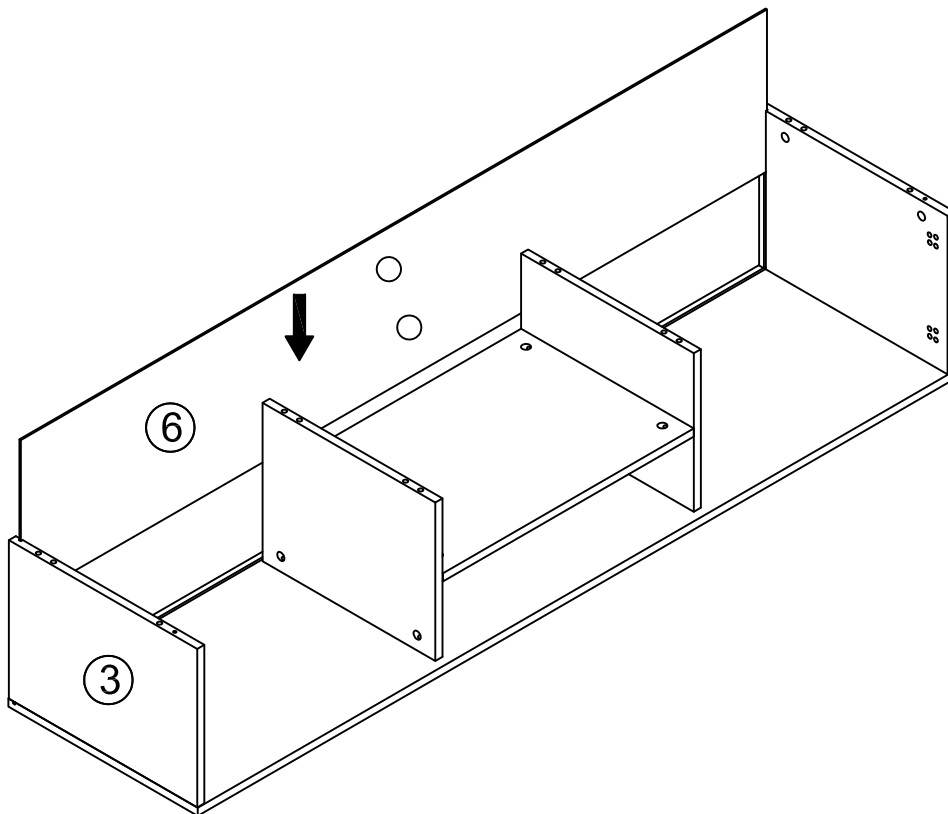
B	x4	C	x4
			
Ø15mm		Ø8*30mm	

3

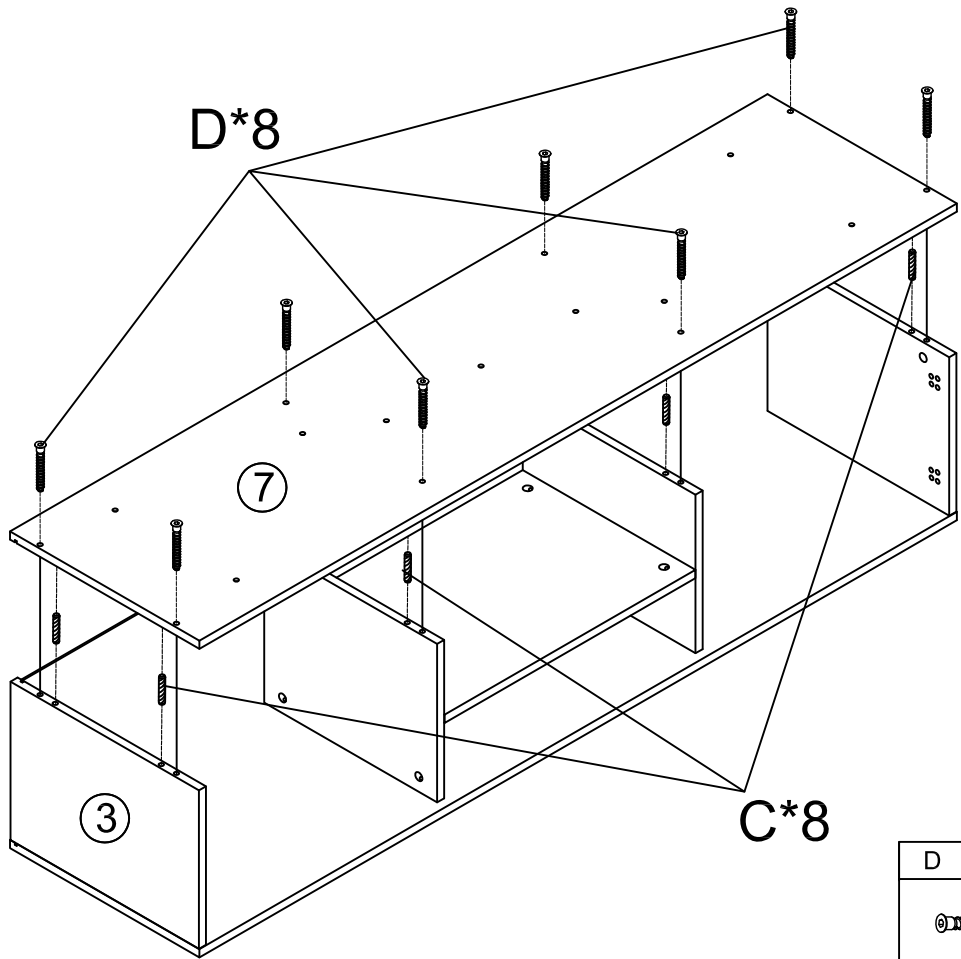


C	x8	I	x8	B	x8
					
Ø8*30mm		Ø20		Ø15mm	

4

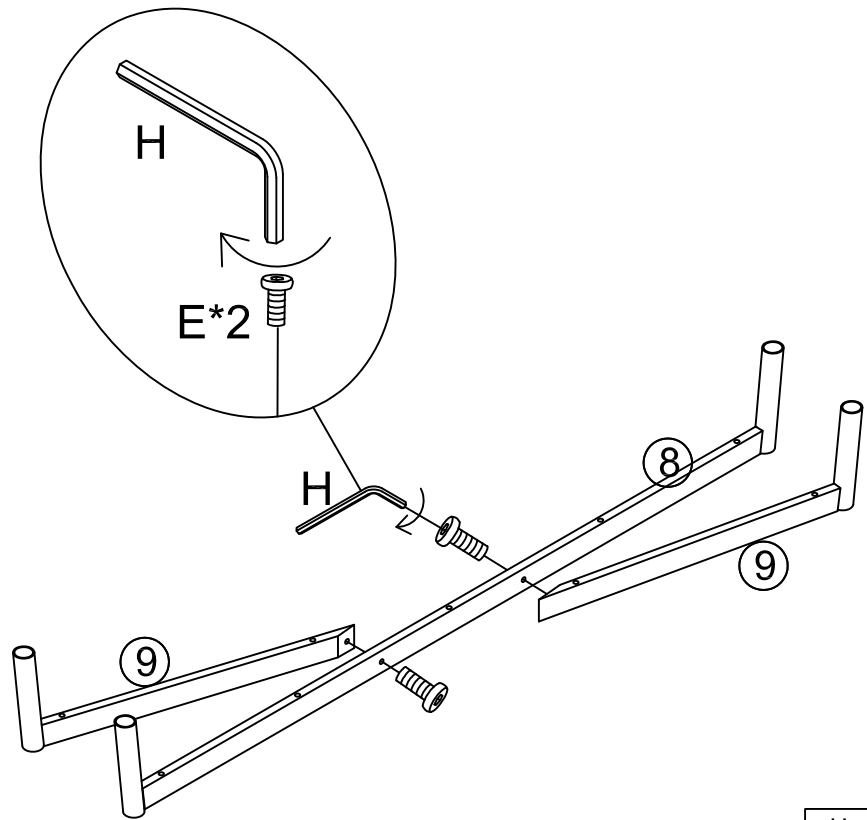


5



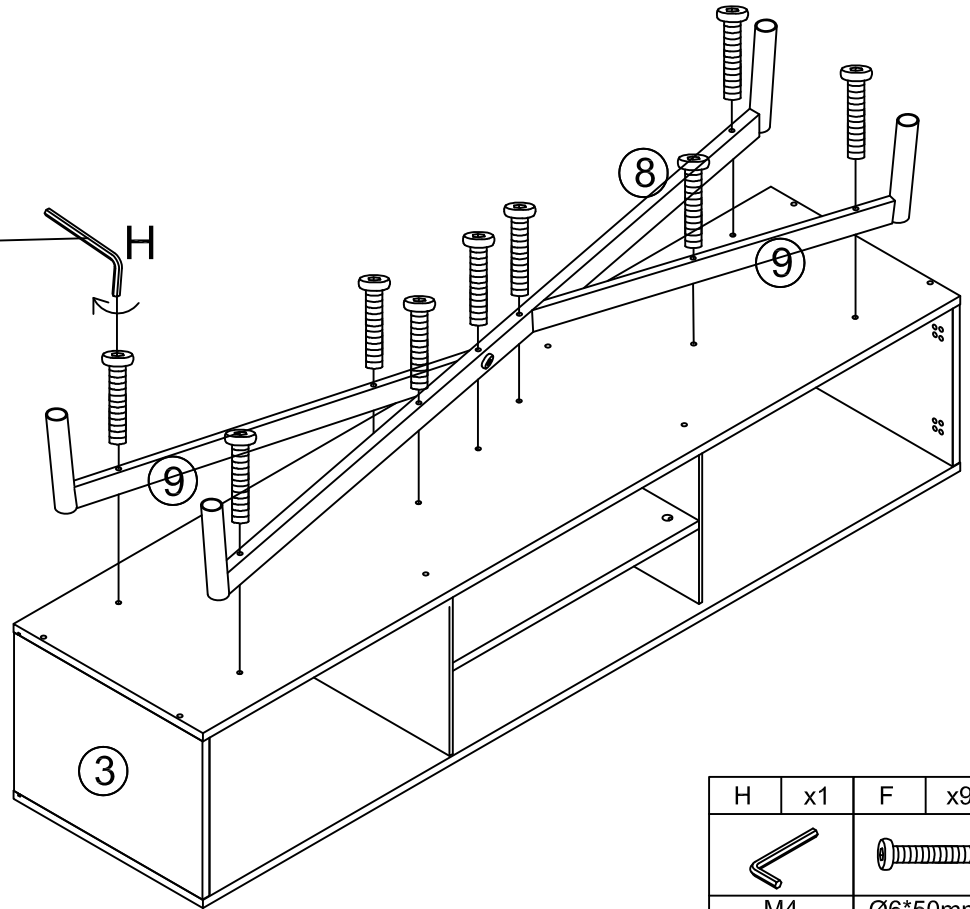
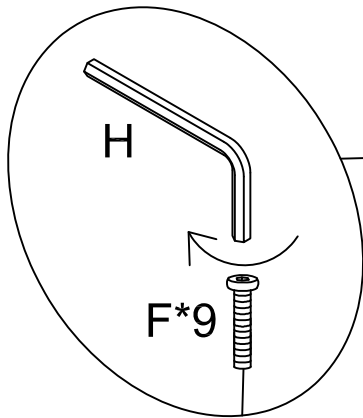
D	x8	C	x8
Ø6*50mm		Ø8*30mm	


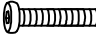
6



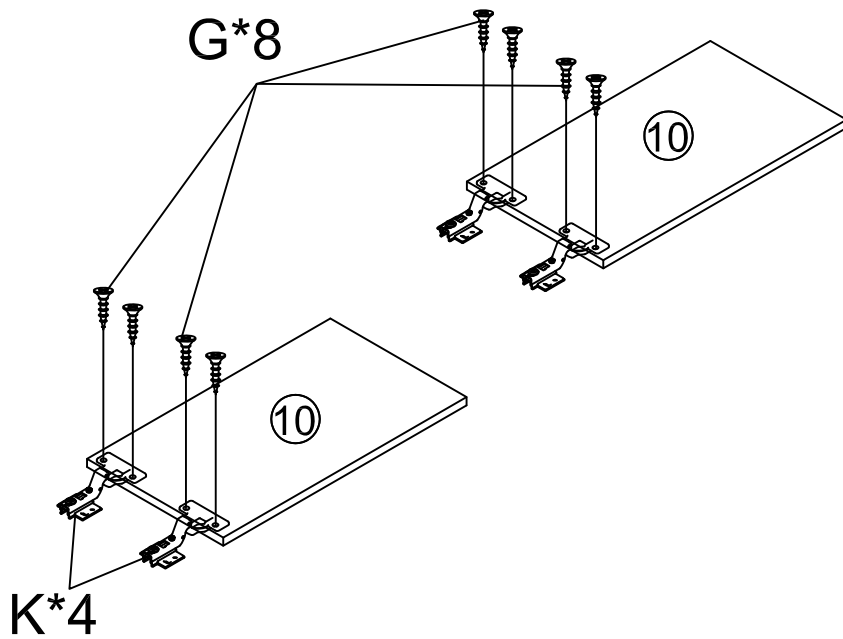
H	x1	E	x2
M4		Ø6*20mm	



7



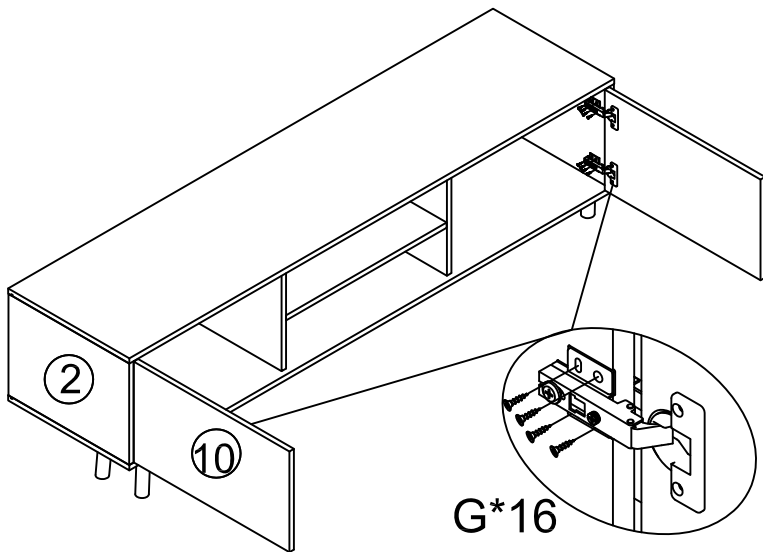
H	x1	F	x9
			
M4		Ø6*50mm	

8

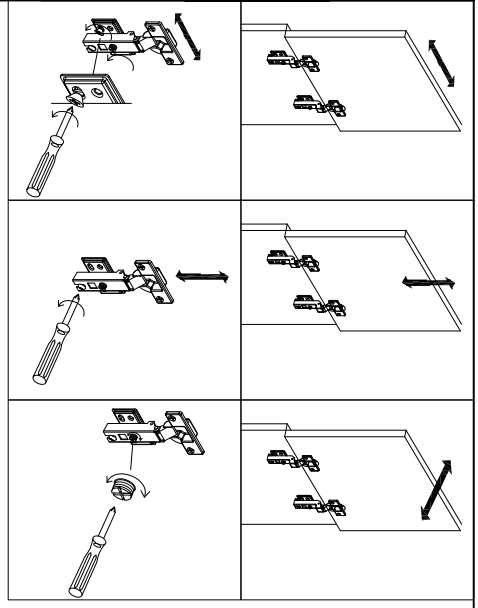


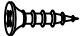
G	x8	K	x4
			
Ø3.5*14mm			

9

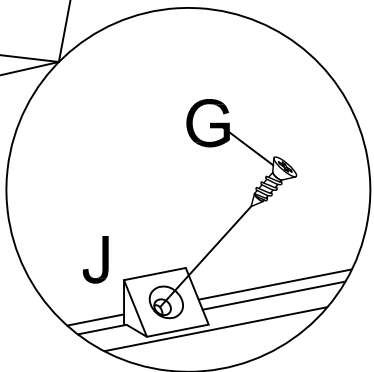
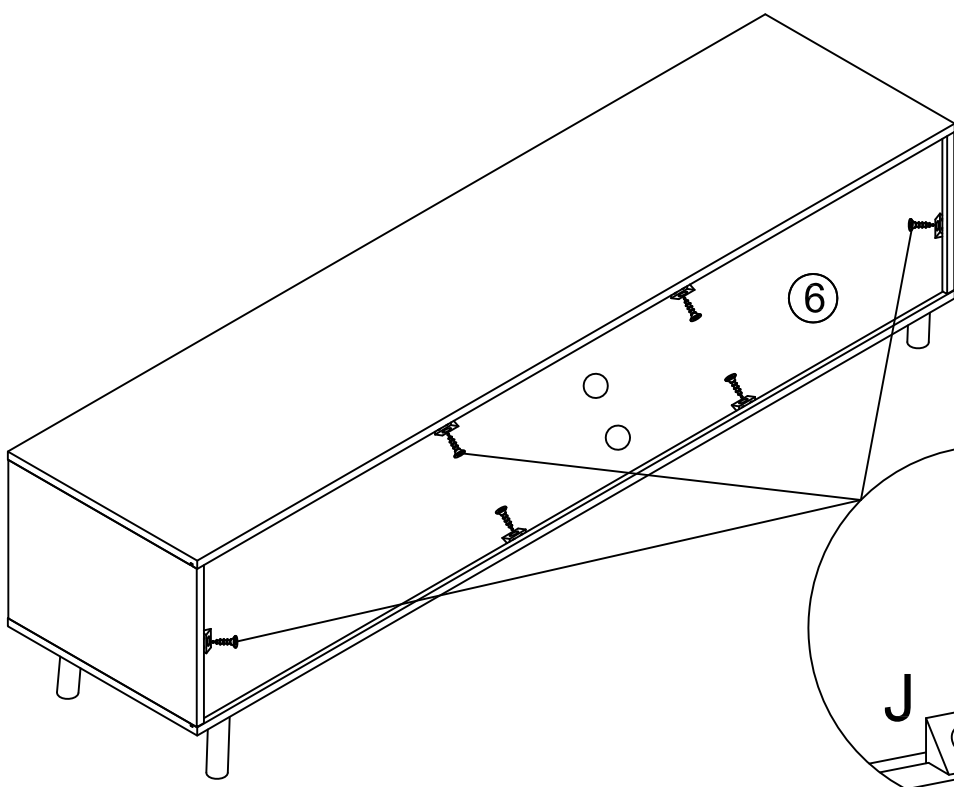


G\*16





G	x16
	
Ø3.5*14mm	

10



x6

G	x6	J	x6
			
Ø3.5*14mm			