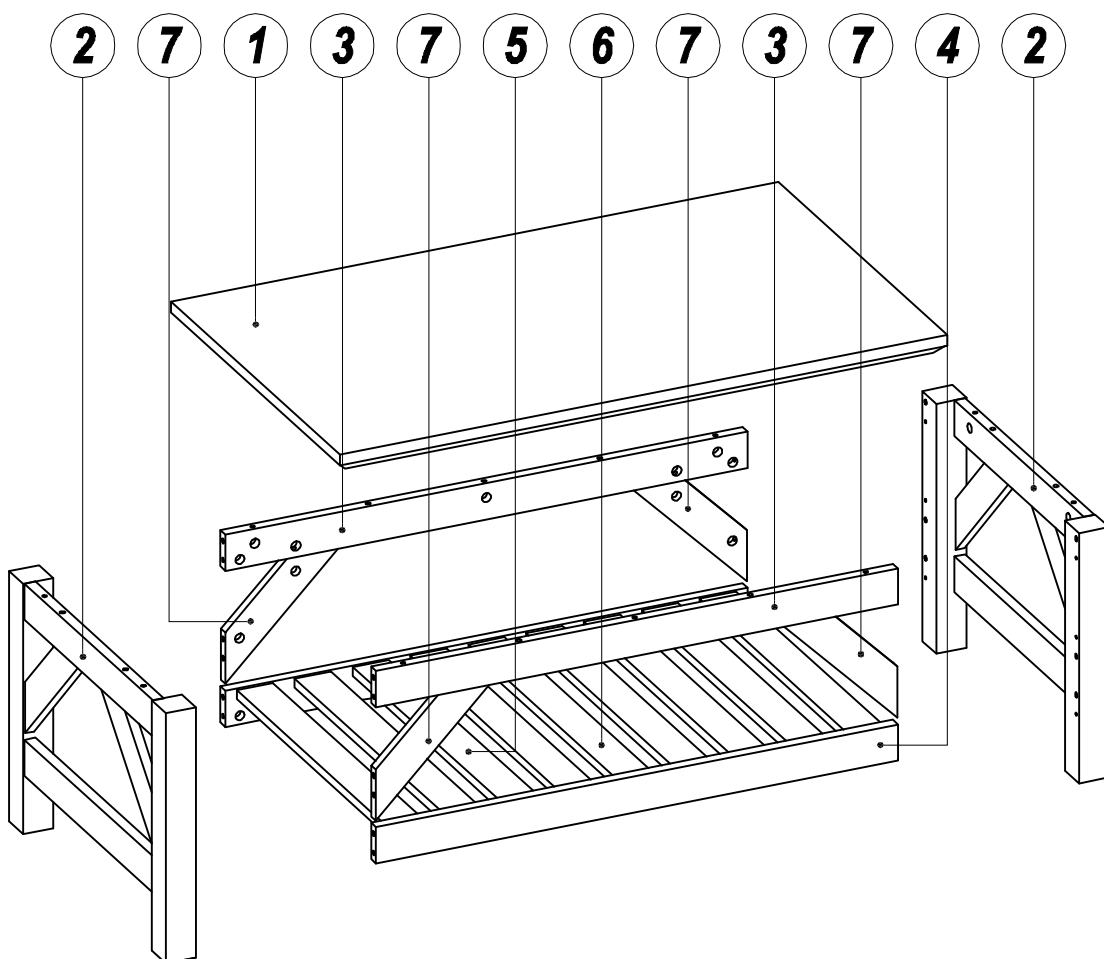
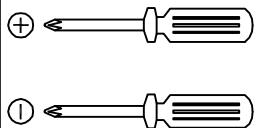
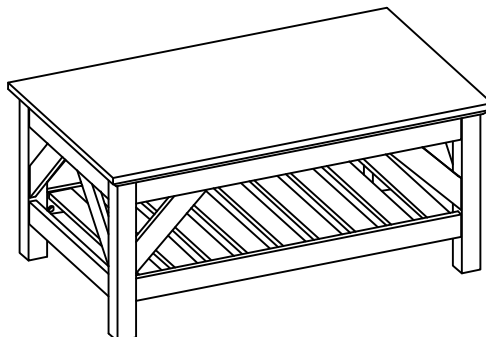
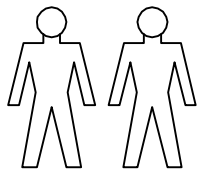
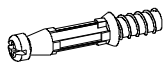


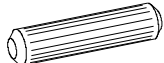




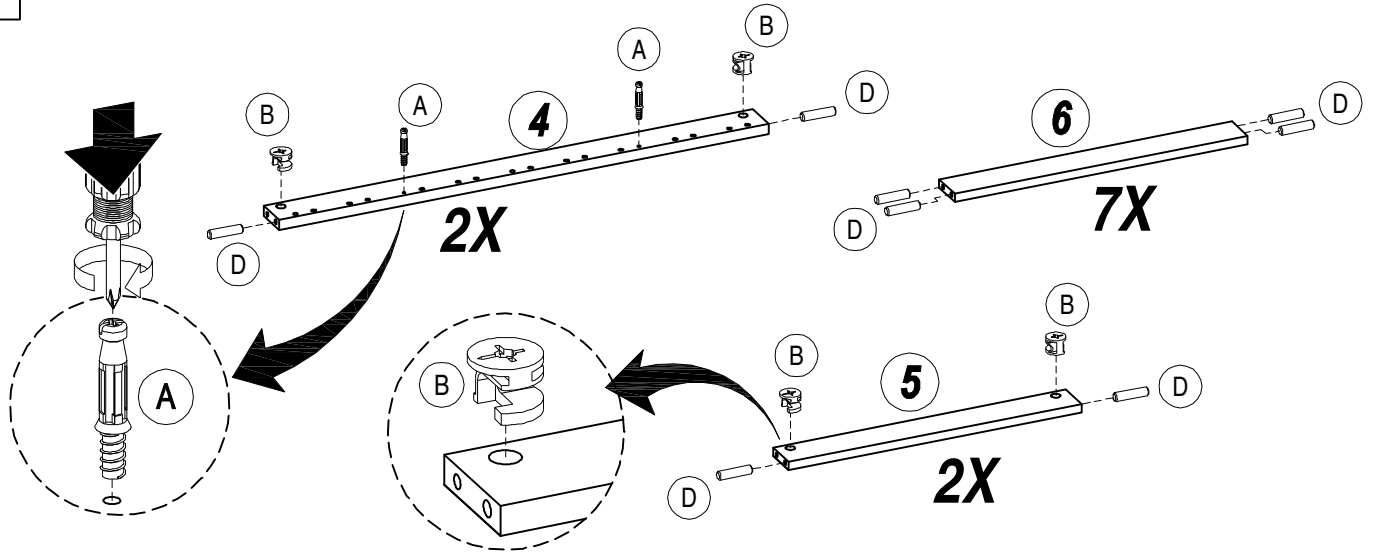


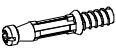


# 12742 / 12743 / 12744 / 12745



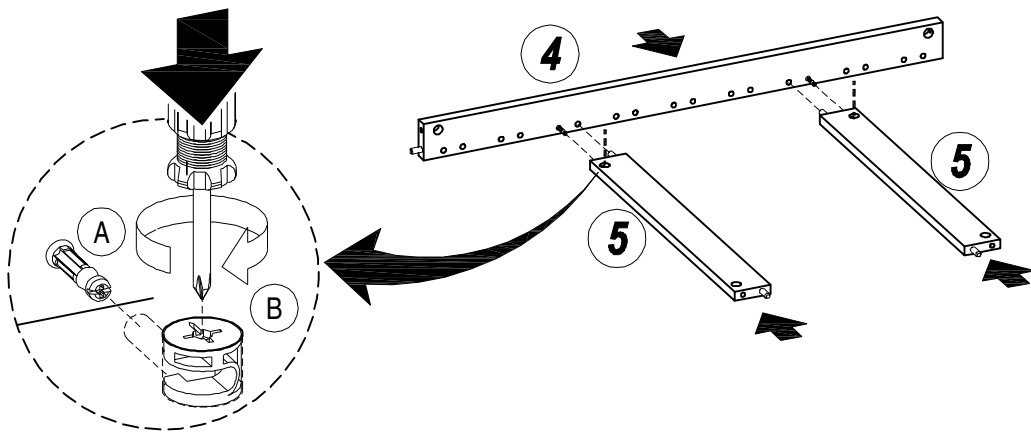
<b>A</b> x 26  7.5 X 32 mm	<b>B</b> x 30  Ø15 X 12 mm	<b>C</b> x 8  Ø17.5 mm	<b>D</b> x 56  Ø7.8 X 32 mm	<b>E</b> x 4  Ø25 mm	<b>F</b> x 4  M6 X 42 mm
<b>G</b> x 4  Ø15 X 10 mm	<b>H</b> x 4  Ø40 mm				

1

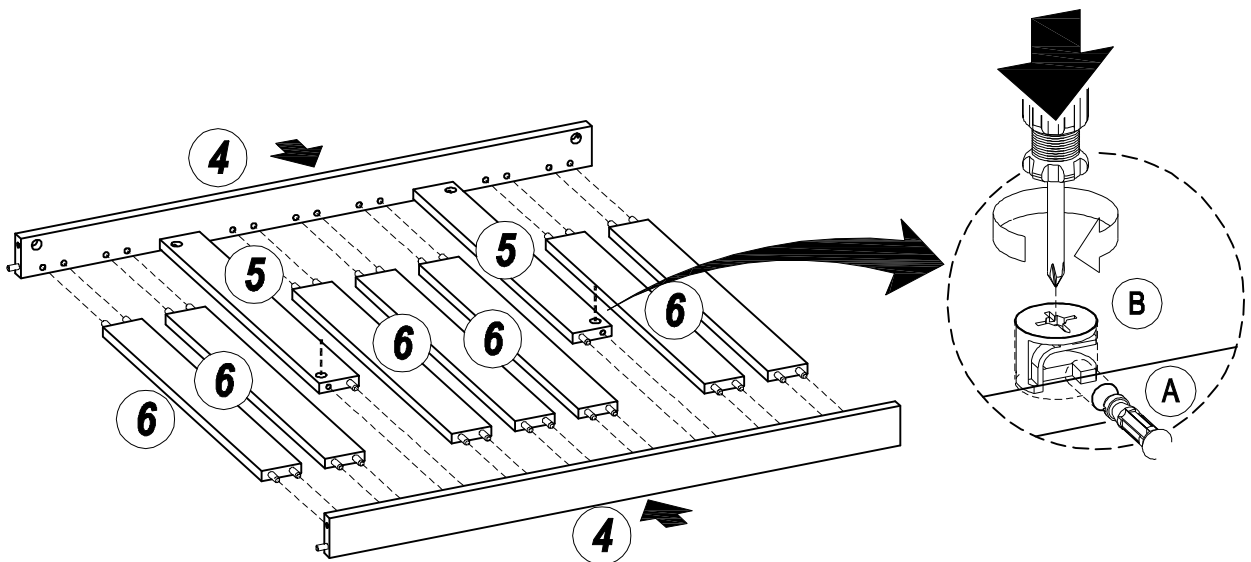


<b>A</b> x 4	<b>B</b> x 8	<b>D</b> x 36
		
7.5 X 32 mm	Ø15 X 12 mm	Ø7.8 X 32 mm

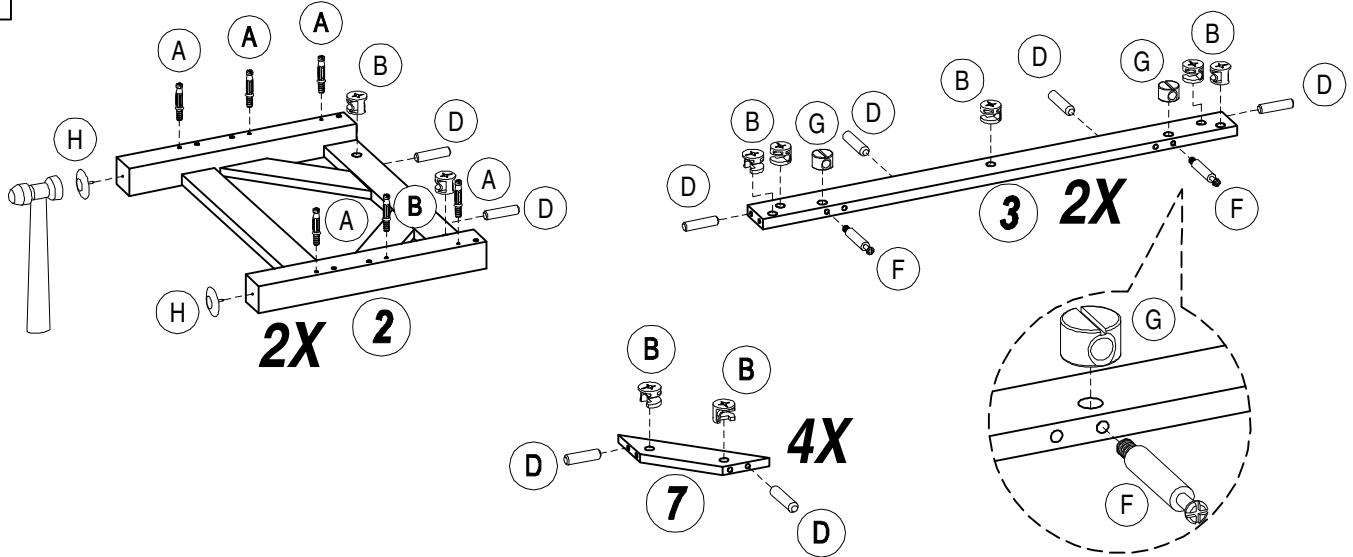
2

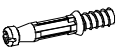


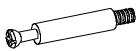




3

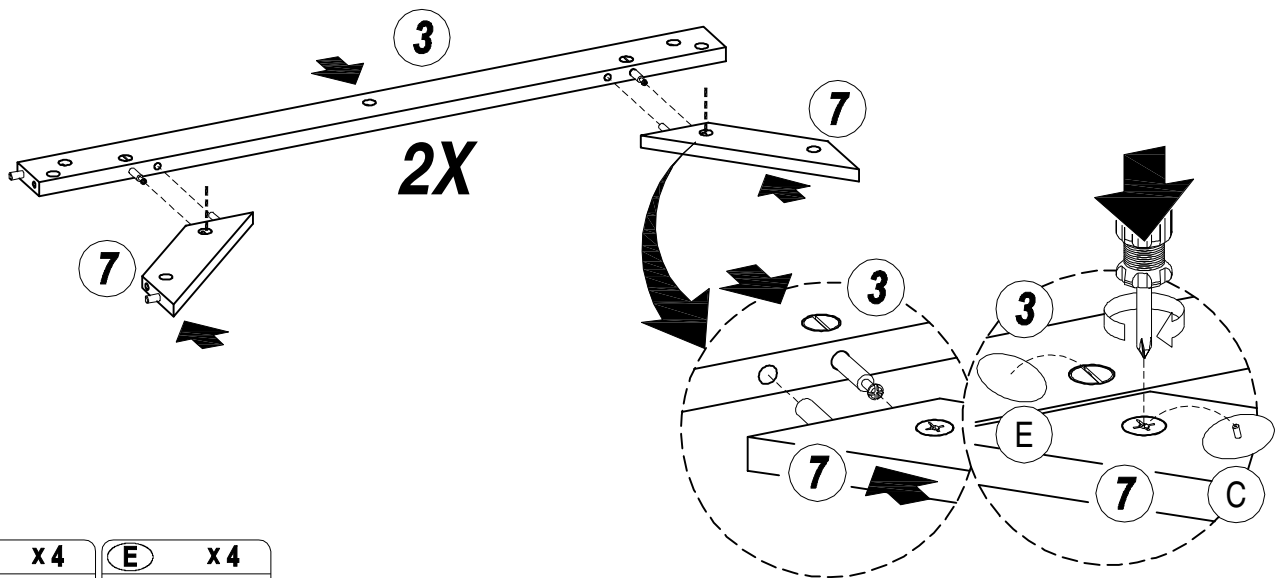




4



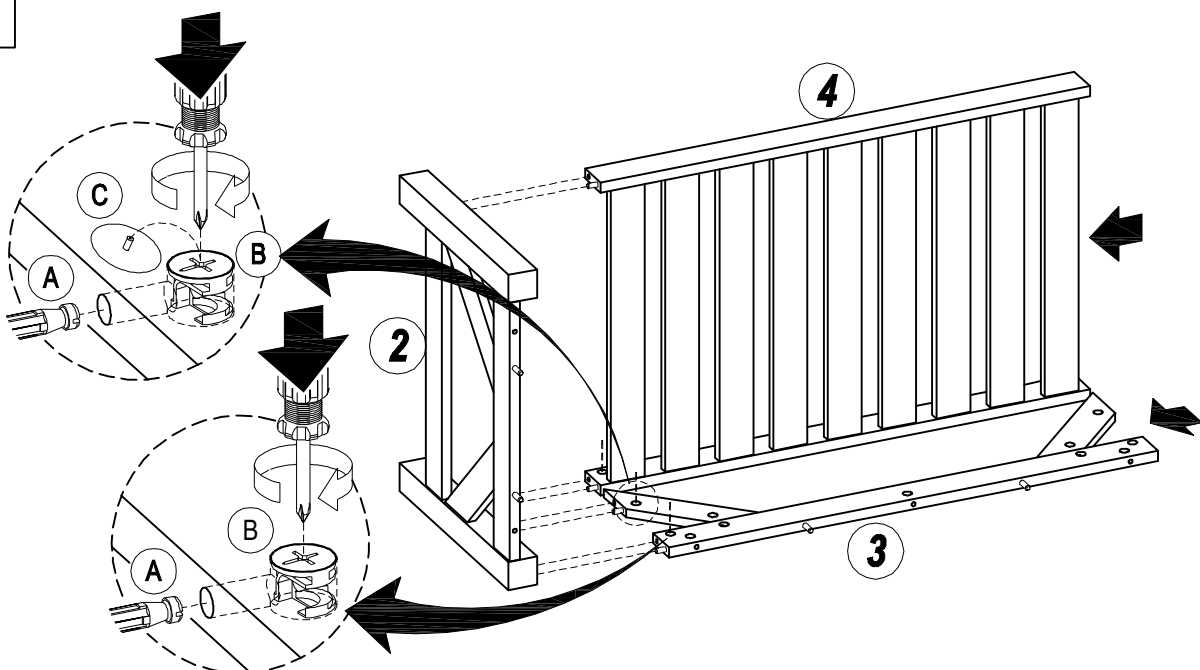
<b>A</b> x 12	<b>B</b> x 22	<b>D</b> x 20	<b>F</b> x 4	<b>G</b> x 4	<b>H</b> x 4
 7.5 X 32 mm	 Ø15 X 12 mm	 Ø7.8 X 32 mm	 M6 X 42 mm	 Ø15 X 10 mm	 Ø40 mm


5



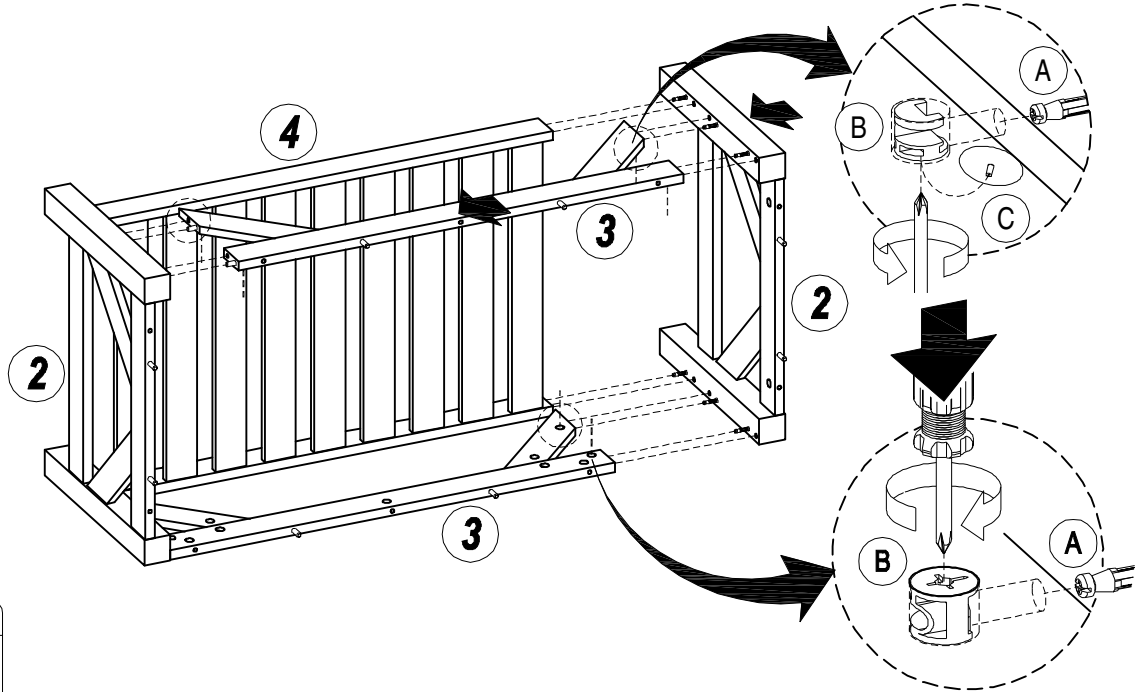
<b>C</b> x 4	<b>E</b> x 4
 Ø17.5 mm	 Ø25 mm


6



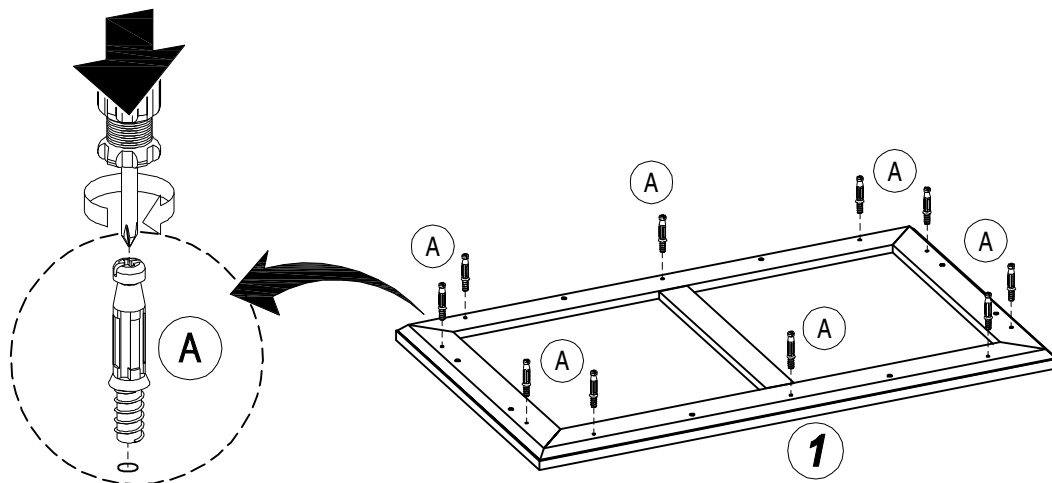
<b>C</b> x 1
 Ø17.5 mm

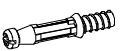
7



**C** x 3  
  
 Ø17.5 mm

8



**A** x 10  
  
 7.5 X 32 mm

9

