



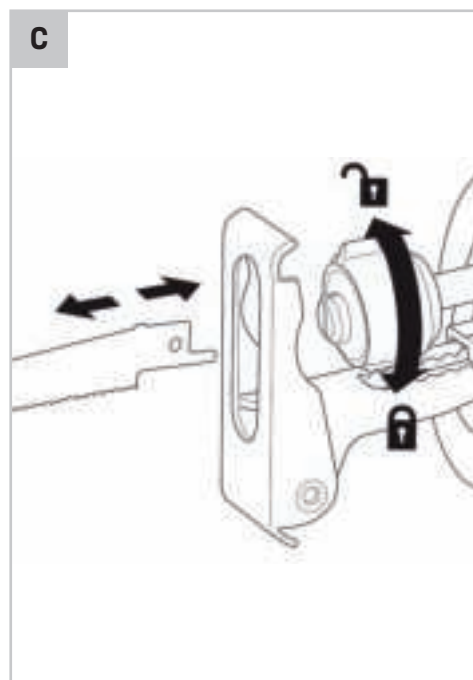
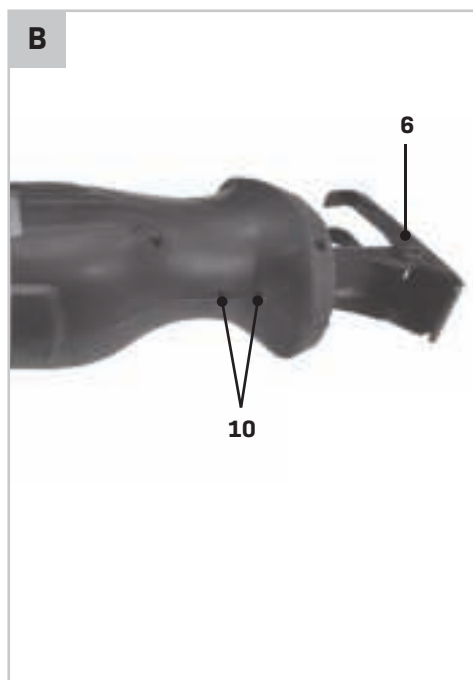
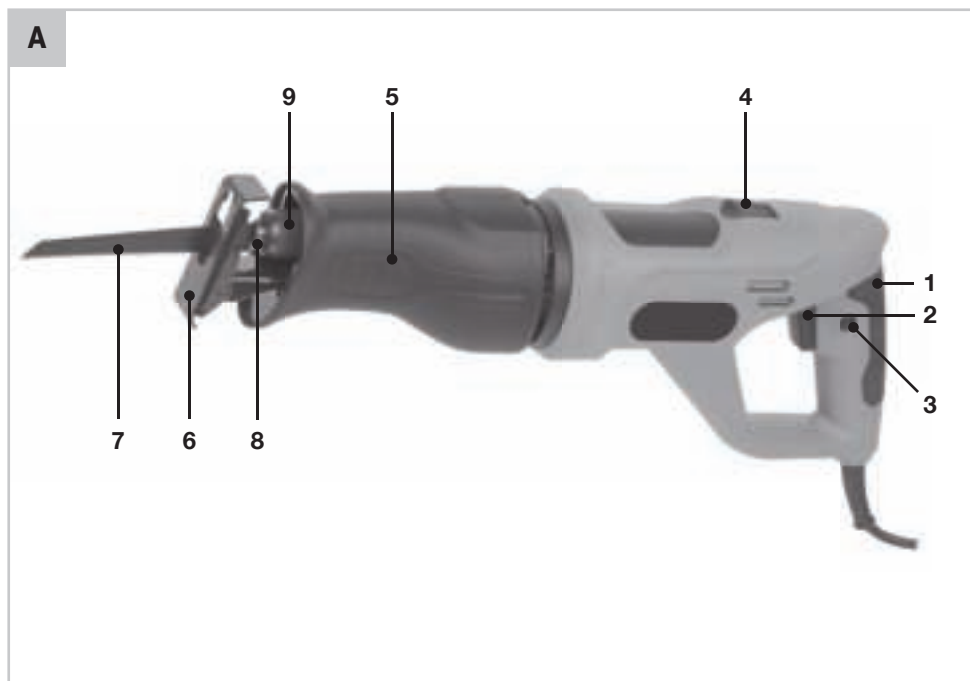
VONROC®

BUILD YOUR FUTURE

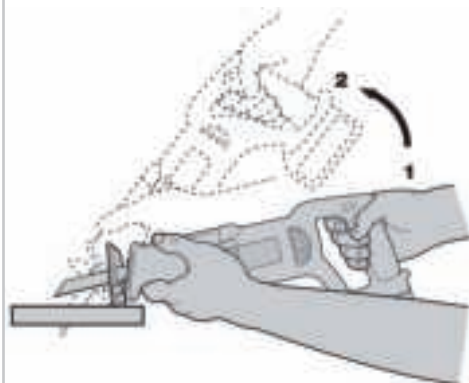
RECIPROCATING SAW RS502AC



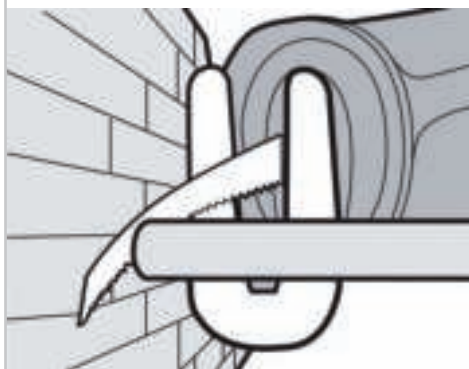
EN	Original Instructions	04
DE	Übersetzung Der Originalbetriebsanleitung	09
NL	Vertaling van de oorspronkelijke gebruiksaanwijzing	15
FR	Traduction de la notice originale	21
ES	Traducción del manual original	27
IT	Traduzione delle istruzioni originali	33
PL	Tłumaczenie instrukcji oryginalnej	39
TR	Orijinal talimatların çevirisi	45



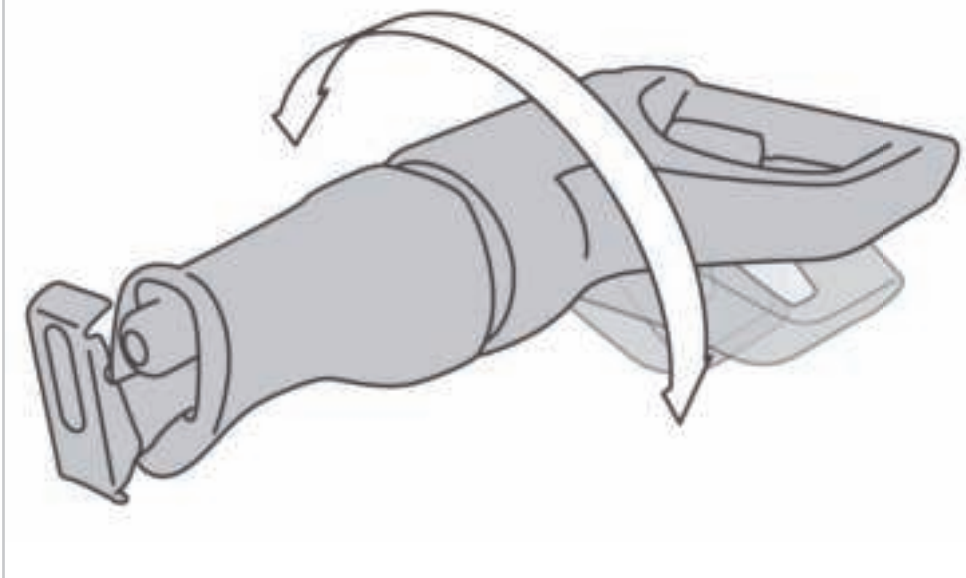
D



E



F



1. SAFETY INSTRUCTIONS

Read the enclosed safety warnings, the additional safety warnings and the instructions. Failure to follow the safety warnings and the instructions may result in electric shock, fire and/or serious injury. Save the safety warnings and the instructions for future reference.

The following symbols are used in the user manual or on the product:



Read the user manual.



Denotes risk of personal injury, loss of life or damage to the tool in case of non-observance of the instructions in this manual.



Keep bystanders, especially children and pets, at a distance greater than 10m.



Wear eye protection.



Wear ear protection.



Wear a dust mask protection.



Danger Area! Keep hands far away (10cm) from the cutting area while the machine is running. Danger of injury when coming in contact with the saw blade.



The product is in accordance with the applicable safety standards in the European directives.

GENERAL POWER TOOL SAFETY WARNINGS



WARNING! Read all safety warnings and all instructions. Failure to follow the warnings and instructions may result in electric shock, fire and/or serious injury.

Save all warnings and instructions for future reference.

The term "power tool" in the warnings refers to your mains-operated (corded) power tool or battery-operated (cordless) power tool.

1) Work area safety

- a) **Keep the work area clean and well lit.** Cluttered or dark areas invite accidents.

- b) **Do not operate power tools in explosive atmospheres, such as in the presence of flammable liquids, gases or dust.** Power tools create sparks which may ignite the dust or fumes.
- c) **Keep children and bystanders away while operating a power tool.** Distractions can cause you to lose control.

2) Electrical safety

- a) **Power tool plugs must match the outlet. Never modify the plug in any way. Do not use any adapter plugs with earthed (grounded) power tools.** Unmodified plugs and matching outlets will reduce risk of electric shock.
- b) **Avoid body contact with earthed or grounded surfaces, such as pipes, radiators, ranges and refrigerators.** There is an increased risk of electric shock if your body is earthed or grounded.
- c) **Do not expose power tools to rain or wet conditions.** Water entering a power tool will increase the risk of electric shock.
- d) **Do not abuse the cord. Never use the cord for carrying, pulling or unplugging the power tool. Keep cord away from heat, oil, sharp edges or moving parts.** Damaged or entangled cords increase the risk of electric shock.
- e) **When operating a power tool outdoors, use an extension cord suitable for outdoor use.** Use of a cord suitable for outdoor use reduces the risk of electric shock.
- f) **If operating a power tool in a damp location is unavoidable, use a residual current device (RCD) protected supply.** Use of an RCD reduces the risk of electric shock.

3) Personal safety

- a) **Stay alert, watch what you are doing and use common sense when operating a power tool. Do not use a power tool while you are tired or under the influence of drugs, alcohol or medication.** A moment of inattention while operating power tools may result in serious personal injury.
- b) **Use personal protective equipment. Always wear eye protection.** Protective equipment such as dust mask, non-skid safety shoes, hard hat, or hearing protection used for appropriate conditions will reduce personal injuries.
- c) **Prevent unintentional starting. Ensure the switch is in the off-position before connecting to power source and/or battery pack, picking up or carrying the tool.** Carrying power tools with

your finger on the switch or energising power tools that have the switch on invites accidents.

- d) **Remove any adjusting key or wrench before turning the power tool on.** A wrench or a key left attached to a rotating part of the power tool may result in personal injury.
 - e) **Do not overreach. Keep proper footing and balance at all times.** This enables better control of the power tool in unexpected situations.
 - f) **Dress properly. Do not wear loose clothing or jewellery. Keep your hair, clothing and gloves away from moving parts.** Loose clothes, jewellery or long hair can be caught in moving parts.
 - g) **If devices are provided for the connection of dust extraction and collection facilities, ensure these are connected and properly used.** Use of dust collection can reduce dust related hazards.
 - h) **Do not let familiarity gained from frequent use of tools allow you to become complacent and ignore tool safety principles.** A careless action can cause severe injury within a fraction of a second.
- 4) Power tool use and care**
- a) **Do not force the power tool. Use the correct power tool for your application.** The correct power tool will do the job better and safer at the rate for which it was designed.
 - b) **Do not use the power tool if the switch does not turn it on and off.** Any power tool that cannot be controlled with the switch is dangerous and must be repaired.
 - c) **Disconnect the plug from the power source and/or the battery pack from the power tool before making any adjustments, changing accessories, or storing power tools.** Such preventive safety measures reduce the risk of starting the power tool accidentally.
 - d) **Store idle power tools out of the reach of children and do not allow persons unfamiliar with the power tool or these instructions to operate the power tool.** Power tools are dangerous in the hands of untrained users.
 - e) **Maintain power tools. Check for misalignment or binding of moving parts, breakage of parts and any other condition that may affect the power tool's operation. If damaged, have the power tool repaired before use.** Many accidents are caused by poorly maintained power tools.
 - f) **Keep cutting tools sharp and clean.** Properly maintained cutting tools with sharp cutting edges are less likely to bind and are easier to control.

- g) **Use the power tool, accessories and tool bits etc. in accordance with these instructions, taking into account the working conditions and the work to be performed.** Use of the power tool for operations different from those intended could result in a hazardous situation.
- h) **Keep handles and grasping surfaces dry, clean and free from oil and grease.** Slippery handles and grasping surfaces do not allow for safe handling and control of the tool in unexpected situations.

5) Battery tool use and care

- a) **Recharge only with the charger specified by the manufacturer.** A charger that is suitable for one type of battery pack may create a risk of fire when used with another battery pack.
- b) **Use power tools only with specifically designed battery packs.** Use of any other battery packs may create a risk of injury and fire.
- c) **When battery pack is not in use, keep it away from other metal objects, like paper clips, coins, keys, nails, screws or other small metal objects that can make a connection from one terminal to another.** Shorting the battery terminals together may cause burns or a fire.
- d) **Under abusive conditions, liquid may be ejected from the battery; avoid contact. If contact accidentally occurs, flush with water. If liquid contacts eyes, additionally seek medical help.** Liquid ejected from the battery may cause irritation or burns.
- e) **Do not use a battery pack or tool that is damaged or modified.** Damaged or modified batteries may exhibit unpredictable behaviour resulting in fire, explosion or risk of injury.
- f) **Do not expose a battery pack or tool to fire or excessive temperature.** Exposure to fire or temperature above 130 °C may cause explosion. NOTE The temperature „130 °C“ can be replaced by the temperature „265 °F“.
- g) **Follow all charging instructions and do not charge the battery pack or tool outside the temperature range specified in the instructions.** Charging improperly or at temperatures outside the specified range may damage the battery and increase the risk of fire.

6) Service

- a) **Have your power tool serviced by a qualified repair person using only identical replacement parts.** This will ensure that the safety of the power tool is maintained.
- b) **Never service damaged battery packs.** Service of battery packs should only be performed by the manufacturer or authorized service providers.

SAFETY WARNINGS FOR RECIPROCATING SAWS

- **Hold power tool by insulated gripping surfaces, when performing an operation where the cutting accessory may contact hidden wiring.** Cutting accessory contacting a "live" wire may make exposed metal parts of the power tool "live" and could give the operator an electric shock.
- **Keep hands away from the sawing range. Do not reach under the workpiece.** Contact with the saw blade can lead to injuries.
- **Apply the machine to the workpiece only when switched on.** Otherwise there is danger of kickback when the cutting tool jams in the workpiece.
- **When sawing, the base plate must always faces against the workpiece.** The saw blade can become wedged and lead to loss of control over the machine.
- **When the cut is completed, switch off the machine and then pull the saw blade out of the cut only after it has come to a standstill.** In this manner you can avoid kickback and can place down the machine securely.
- **Use only undamaged saw blades that are in perfect condition.** Bent or dull saw blades can break, negatively influence the cut, or lead to kickback.
- **Do not brake the saw blade to a stop by applying side pressure after switching off.** The saw blade can be damaged, break or cause kickback.
- **Clamp material well.** Do not support the workpiece with your hand or foot. Do not touch objects or the floor with the the saw running. Danger of kickback.
- **Use appropriate detectors to determine if utility lines are hidden in the work area or call the local utility company for assistance.** Contact with electric lines can lead to fire and electric shock. Damaging a gas line can lead to explosion. Penetrating a water line causes property damage.
- **When working with the machine, always hold it firmly with both hands and provide for a secure**

stance. The power tool is guided more secure with both hands.

- **Secure the workpiece.** A workpiece clamped with clamping devices or in a vice is held more secure than by hand.
- **Always wait until the machine has come to a complete stop before placing it down.** The tool insert can jam and lead to loss of control over the power tool.

2. MACHINE INFORMATION**Intended use**

The machine is intended for sawing wood, plastic and metal while keeping the baseplate resting firmly on the workpiece. It is suitable for straight and curved cuts. It is also possible to cut flush to the workpiece surface. A suitable saw blade must always be used.

TECHNICAL SPECIFICATIONS

Model No.	RS502AC
Voltage	220-240V
Frequency	50/60Hz
No load speed	2600/min
Saw stroke	20mm
Max. saw capacity wood	115mm
Max. saw capacity steel	5mm
Weight	2.74 kg
Sound pressure level L_{PA}	82.2 dB(A), K=3dB(A)
Sound power level L_{WA}	93.2 dB(A), K=3dB(A)
Vibration rear handle	16.844 m/s ² K=1.5 m/s ²
Vibration front handle	18.067 m/s ² K=1.5 m/s ²

Vibration level

The vibration emission level stated in this instruction manual has been measured in accordance with a standardized test given in EN60745; it may be used to compare one tool with another and as a preliminary assessment of exposure to vibration when using the tool for the applications mentioned.

- Using the tool for different applications, or with different or poorly maintained accessories, may significantly increase the exposure level.
- The times when the tool is switched off or when it is running but not actually doing the job, may significantly reduce the exposure level.

Protect yourself against the effects of vibration by maintaining the tool and its accessories, keeping your hands warm, and organizing your work patterns.

DESCRIPTION

The numbers in the text refer to the diagrams on page 2-3.

1. Handle
2. Lock-on button
3. On/Off button
4. Handle unlock button
5. Auxiliary handle
6. Baseplate
7. Saw blade
8. Chuck
9. Clamping lever
10. Baseplate bolts

3. ASSEMBLY



Before carrying out any work on the machine, disconnect the mains plug from the power supply.

Replacing the saw blade (Fig. A, C)



When mounting the saw blade, wear protective gloves. Danger of injury when touching the saw blade.



Only use saw blades that correspond with the characteristic data given in the operating instructions.

Mounting the saw blade



Make sure the blade holder is free of material debris (such as splinters of wood or metal).

1. Turn the clamping lever (9) as far to the left as possible and hold it in this position.
2. Insert the saw blade in the chuck (8). Check that the saw blade is securely fixed and that the teeth are pointing downwards.
3. Let go of the clamping lever. Check whether the saw blade is locked in place.

Make sure to use the right sawblade for the corresponding material. Included with the machine is a coarse sawblade for wood and a fine sawblade for metal and plastics.

Removing the saw blade

1. Turn the clamping lever (9) as far to the left as possible and hold it in this position.
2. Remove the saw blade from the chuck (8).
3. Let go of the clamping lever.

4. OPERATION

Switching on and off (Fig. A)

- To switch on the machine, press the on/off switch (3).
- To switch the machine to continuous mode, keep the on/off switch (3) pressed and simultaneously press the lock-on button (2).
- To switch off continuous mode, press the on/off switch (3) again.
- To switch off the machine, release the on/off switch (3).

Adjusting the base plate (Fig. B)

Due to its movability, the baseplate (6) angle adapts to the workpiece. Furthermore, the length of the baseplate can be adjusted depending on the required sawing depth.

1. Loosen the baseplate bolts (10) using the hex key provided.
2. Adjust the baseplate (6).
3. Tighten the baseplate bolts (10) using the hex key provided.

Plunge cutting (Fig. D)

Plunge cutting may only be used on soft materials such as wood, aerated concrete, gypsum plaster boards, etc. However, this requires a certain practise and is only possible with short saw blades.

1. Place the saw onto the workpiece and switch it on.
2. Ensure that the bottom edge of the footplate rests on the workpiece surface as shown.
3. Slowly saw into the workpiece at an angle, moving the saw to a vertical position and continue to saw along the cutting line.
4. Switch the saw off and lift off the workpiece when the work is complete.

Flush cutting (Fig. E)

Elastic bi-metal saw blades allow you to saw protruding objects (e.g. water pipes, iron bars, etc.) nearby the wall.

1. Apply the saw blade directly to the wall and bend slightly so that the footplate rests against the wall. Pay attention that the saw blade

always extends beyond the diameter of the material being worked.

2. Switch the machine on and saw off the workpiece keeping constant lateral pressure against the wall.

Adjusting the main handle

Before starting operation you can adjust the main handle (1) to the position most comfortable for the task. The handle can be set up in 5 positions within 180° rotation range in long axis of the tool body (90° left or right from the base position).

1. Move the handle unlock button (4) back.
2. Rotate the main handle around long axis of the tool to desired position (fig. F).
3. The main handle automatically locks in desired position.

Optimum use

- Adjust saw blade and stroke rate to suit the material to be processed. For right radius curves it is best to use a narrow saw blade. Apply coolant or lubricant to deal with the fluttering produced along the cut line when sawing metal.
- Check wood, chip boards, building materials etc, for hard materials (nails, screws etc.), before sawing and remove them, if necessary.
- Clamp material well. Do not support the workpiece with hand or foot. Do not touch objects or the floor with the saw running (danger of backlash).
- Put the footplate on the surface of the workpiece, and saw through it with constant contact pressure or feed. If the saw blade seizes switch the machine off immediately. Spread the gap with a suitable tool and pull out the saw blade.
- After finishing work, switch off the machine and only put down after it has come to a complete standstill.

5. MAINTENANCE



Before cleaning and maintenance, always switch off the machine and remove the battery pack from the machine.

Clean the machine casings regularly with a soft cloth, preferably after each use. Make sure that the ventilation openings are free of dust and dirt. Remove very persistent dirt using a soft cloth moistened with soapsuds. Do not use any solvents such as gasoline, alcohol, ammonia, etc. Chemicals such as these will damage the synthetic components.

ENVIRONMENT



Faulty and/or discarded electrical or electronic apparatus have to be collected at the appropriate recycling locations.

Only for EC countries

Do not dispose of power tools into domestic waste. According to the European Guideline 2012/19/EC for Waste Electrical and Electronic Equipment and its implementation into national right, power tools that are no longer usable must be collected separately and disposed of in an environmentally friendly way.

WARRANTY

VONROC products are developed to the highest quality standards and are guaranteed free of defects in both materials and workmanship for the period lawfully stipulated starting from the date of original purchase. Should the product develop any failure during this period due to defective material and/or workmanship then contact VONROC directly.

The following circumstances are excluded from this guarantee:

- Repairs and/or alterations have been made or attempted to the machine by unauthorized service centers;
- Normal wear and tear;
- The tool has been abused, misused or improperly maintained;
- Non-original spare parts have been used.

This constitutes the sole warranty made by company either expressed or implied. There are no other warranties expressed or implied which extend beyond the face hereof, herein, including the implied warranties of merchantability and fitness for a particular purpose. In no event shall VONROC be liable for any incidental or consequential damages. The dealers remedies shall be limited to repair or replacement of nonconforming units or parts.

The product and the user manual are subject to change. Specifications can be changed without further notice.

1. SICHERHEITSANWEISUNGEN

Lesen Sie die beiliegenden Sicherheitsanweisungen, die zusätzlichen Sicherheitsanweisungen sowie diese Bedienungsanleitung sorgfältig durch. Bei Nichtbeachten der Sicherheitsanweisungen und der Bedienungsanleitung kann es zu einem Stromschlag, einem Brand und/oder schweren Verletzungen kommen. Bewahren Sie die Sicherheitsanweisungen und die Bedienungsanleitung zur künftigen Bezugnahme sicher auf.

Folgende Symbole werden im Benutzerhandbuch oder auf dem Produkt verwendet:



Benutzerhandbuch/Bedienungsanleitung lesen.



Lebens- und Verletzungsgefahr und Gefahr von Beschädigungen am Werkzeug/Gerät bei Nichteinhaltung der Anweisungen in dieser Bedienungsanleitung.



Halten Sie Zuschauer fern.



Augenschutz tragen.



Ohrenschützer tragen.



Tragen Sie eine Staubschutzmaske.



Gefahrenbereich! Halten Sie die Hände (10 cm) vom Schnittbereich entfernt während die Maschine in Betrieb ist. Verletzungsgefahr, wenn man in Kontakt mit dem Sägeblatt gerät.



Das Produkt entspricht den geltenden Sicherheitsnormen der europäischen Richtlinien.

ALLGEMEINE SICHERHEITSHINWEISE



ACHTUNG! Lesen Sie alle Sicherheitshinweise und Anweisungen. Fehler bei der Einhaltung der nachstehend aufgeführten Anweisungen können elektrischen Schlag, Brand und/oder schwere Verletzungen verursachen.

Bewahren Sie diese Anweisungen gut auf. Der nachfolgend verwendete Begriff „Elektrowerkzeug“ bezieht sich auf netzbetriebene Elektrowerkzeuge

(mit Netzkabel) und auf akkubetriebene Elektrowerkzeuge (ohne Netzkabel).

1) Arbeitsplatz

- a) **Halten Sie Ihren Arbeitsbereich sauber und aufgeräumt.** Unordnung und unbeleuchtete Arbeitsbereiche können zu Unfällen führen.
- b) **Arbeiten Sie mit dem Gerät nicht in explosionsgefährdeter Umgebung, in der sich brennbare Flüssigkeiten, Gase oder Staub befinden.** Elektrowerkzeuge erzeugen Funken, die den Staub oder die Dämpfe entzünden können.
- c) **Halten Sie Kinder und andere Personen während der Benutzung des Elektrowerkzeugs fern.** Bei Ablenkung können Sie die Kontrolle über das Gerät verlieren.

2) Elektrische Sicherheit

- a) **Der Anschlussstecker des Gerätes muss in die Steckdose passen. Der Netzstecker darf in keener Weise verändert werden. Verwenden Sie keine Adapterstecker gemeinsam mit schutzgeerdeten Geräten. Unveränderte Netzstecker** und passende Steckdosen verringern das Risiko eines elektrischen Schlages.
- b) **Vermeiden Sie Körperkontakt mit geerdeten Oberflächen, wie von Rohren, Heizungen, Herden und Kühlschränken.** Es besteht ein erhöhtes Risiko durch elektrischen Schlag, wenn Ihr Körper geerdet ist.
- c) **Halten Sie das Gerät von Regen oder Nässe fern.** Das Eindringen von Wasser in ein Elektrogerät erhöht das Risiko eines elektrischen Schlages.
- d) **Zweckentfremden Sie das Netzkabel nicht, um das Gerät zu tragen, aufzuhängen oder um den Netzstecker aus der Steckdose zu ziehen. Halten Sie das Netzkabel fern von Hitze, Öl, scharfen Kanten oder sich bewegenden Geräteteilen.** Beschädigte oder verwickelte Netzkabel erhöhen das Risiko eines elektrischen Schlages.
- e) **Wenn Sie mit einem Elektrowerkzeug im Freien arbeiten, verwenden Sie nur Verlängerungskabel, die auch für den Außenbereich zugelassen sind.** Die Anwendung eines für den Außenbereich geeigneten Verlängerungskabels verringert das Risiko eines elektrischen Schlages.
- f) **Wenn sich Arbeiten mit einem Elektrowerkzeug in feuchten Umgebungen nicht vermeiden lassen, verwenden Sie eine Stromversorgung mit einer Fehlerstrom-Schutzeinrichtung (RCD).**

Durch die Verwendung einer RCD wird die Gefahr eines elektrischen Schlags verringert.

3) Sicherheit von Personen

- a) **Seien Sie aufmerksam. Achten Sie darauf, was Sie tun, und gehen Sie mit Vernunft an die Arbeit mit einem Elektrowerkzeug. Benutzen Sie das Gerät nicht, wenn Sie müde sind oder unter dem Einfluss von Drogen, Alkohol oder Medikamenten stehen.** Ein Moment der Unachtsamkeit beim Gebrauch des Gerätes kann zu ernsthaften Verletzungen führen.
- b) **Tragen Sie persönliche Schutzausrüstung und immer eine Schutzbrille.** Das Tragen persönlicher Schutzausrüstung, wie Staubmaske, rutschfeste Sicherheitsschuhe, Schutzhelm oder Gehörschutz, je nach Art und Einsatz des Elektrowerkzeuges, verringert das Risiko von Verletzungen.
- c) **Vermeiden Sie eine unbeabsichtigte Inbetriebnahme. Vergewissern Sie sich, dass der Schalter in der Position „AUS(0)“ ist, bevor Sie den Netzstecker in die Steckdose stecken.** Wenn Sie beim Tragen des Geräts den Finger am Schalter haben oder das Gerät eingeschaltet an die Stromversorgung anschließen, kann dies zu Unfällen führen.
- d) **Entfernen Sie Einstellwerkzeuge oder Schraubenschlüssel, bevor Sie das Gerät einschalten.** Ein Werkzeug oder Schlüssel, der sich in einem drehenden Geräteteil befindet, kann zu Verletzungen führen.
- e) **Überschätzen Sie sich nicht. Sorgen Sie für einen sicheren Stand und halten Sie jederzeit das Gleichgewicht.** Dadurch können Sie das Gerät in unerwarteten Situationen besser kontrollieren.
- f) **Tragen Sie geeignete Kleidung. Tragen Sie keine weite Kleidung oder Schmuck. Halten Sie Haare, Kleidung und Handschuhe fern von sich bewegenden Teilen.** Lockere Kleidung, Schmuck oder lange Haare können von sich bewegenden Teilen erfasst werden.
- g) **Wenn Staubabsaug- und -auffangeinrichtungen montiert werden können, vergewissern Sie sich, dass diese angeschossen sind und richtig verwendet werden.** Das Verwenden dieser Einrichtungen verringert Gefährdungen durch Staub.
- h) **Achten Sie darauf, nicht durch häufigen Gebrauch von Werkzeugen nachlässig zu werden und die Prinzipien zum sicheren Umgang mit den Werkzeugen zu ignorieren.**

Eine unachtsame Handlung kann innerhalb von Sekundenbruchteilen schwere Verletzungen verursachen.

4) Sorgfältiger Umgang und Gebrauch von Elektrowerkzeugen

- a) **Überlasten Sie das Gerät nicht. Verwenden Sie für Ihre Arbeit das dafür bestimmte Elektrowerkzeug.** Mit dem passenden Elektrowerkzeug arbeiten Sie besser und sicherer im angegebenen Leistungsbereich.
- b) **Benutzen Sie kein Elektrowerkzeug, dessen Schalter defekt ist.** Ein Elektrowerkzeug, das sich nicht mehr ein- oder ausschalten lässt, ist gefährlich und muss repariert werden.
- c) **Ziehen Sie den Netzstecker aus der Steckdose, bevor Sie Geräteeinstellungen vornehmen, Zubehörteile wechseln oder das Gerät weglegen.** Diese Vorsichtsmaßnahme verhindert den unbeabsichtigten Start des Geräts.
- d) **Bewahren Sie unbenutzte Elektrowerkzeuge außerhalb der Reichweite von Kindern auf. Lassen Sie Personen das Gerät nicht benutzen, die mit diesem nicht vertraut sind oder diese Anweisungen nicht gelesen haben.** Elektrowerkzeuge sind gefährlich, wenn Sie von unerfahrenen Personen benutzt werden.
- e) **Pflegen Sie das Gerät mit Sorgfalt. Kontrollieren Sie, ob bewegliche Geräteteile einwandfrei funktionieren und nicht klemmen, ob Teile gebrochen oder so beschädigt sind, dass die Funktion des Gerätes beeinträchtigt ist. Lassen Sie beschädigte Teile vor dem Einsatz des Gerätes reparieren.** Viele Unfälle haben ihre Ursache in schlecht gewarteten Elektrowerkzeugen.
- f) **Halten Sie Schneidwerkzeuge scharf und sauber.** Sorgfältig gepflegte Schneidwerkzeuge mit scharfen Schneidkanten verklemmen sich weniger und sind leichter zu führen.
- g) **Verwenden Sie Elektrowerkzeug, Zubehör, Einsatzwerkzeuge usw. entsprechend diesen Anweisungen und so, wie es für diesen speziellen Gerätetyp vorgeschrieben ist. Berücksichtigen Sie dabei die Arbeitsbedingungen und die ausführende Tätigkeit.** Der Gebrauch von Elektrowerkzeugen für andere als die vorgesehenen Anwendungen kann zu gefährlichen Situationen führen.
- h) **Halten Sie Griffe und Greifflächen immer trocken, sauber und frei von Öl und Fett.** Rutschige Griffe und Greifflächen verhindern in unerwarteten

Situationen den sicheren Umgang mit dem Werkzeug und die richtige Kontrolle darüber.

5) Umgang mit Akkuwerkzeugen

- a) **Zum Laden ist ausschließlich das vom Hersteller angegebene Ladegerät zu verwenden.** Ein Ladegerät, das für eine Art von Akkus geeignet ist, kann bei Verwendung mit einer anderen Art von Akku Brandgefahr verursachen.
- b) **Elektrowerkzeuge dürfen nur mit speziell dazu bestimmten Akkus verwendet werden,** da bei der Verwendung anderer Akkus Verletzungs- und Brandgefahr entstehen kann.
- c) **Wenn der Akku nicht in Gebrauch ist, ist er von Büroklammern, Münzen, Schlüsseln, Nägeln, Schrauben und anderen kleinen Metallobjekten fernzuhalten, die eine Verbindung zwischen den Polen bilden können.** Kurzschließen der Pole kann Brand oder Verbrennungen verursachen.
- d) **Bei falschem Umgang mit dem Akku kann Flüssigkeit aus dem Akku austreten. Die Berührung dieser Flüssigkeit ist zu vermeiden. Bei Berührung den betroffenen Körperteil mit Wasser abspülen. Bei Berührung der Flüssigkeit mit den Augen muss zusätzlich ärztliche Hilfe gerufen werden.** Die Akkuflüssigkeit kann Reizungen oder Verbrennungen verursachen.
- e) **Verwenden Sie keinesfalls Akkus und Werkzeuge, die beschädigt oder verändert wurden.** Beschädigte oder veränderte Akkus können ein unvorhersehbares Verhalten zeigen, das zu Feuer, Explosionen oder Verletzungsgefahren führt.
- f) **Setzen Sie Akkus oder Werkzeuge keinem Feuer oder übermäßigen Temperaturen aus.** Feuer oder Temperaturen über 130 °C können zu Explosionen führen. HINWEIS: Die Temperaturangabe „130 °C“ kann durch die Temperaturangabe „265 °F“ ersetzt werden.
- g) **Beachten Sie alle Hinweise zum Aufladen und laden Sie Akkus oder Werkzeuge nicht außerhalb der in der Anleitung angegebenen Temperaturbereiche auf.** Unsachgemäßes Aufladen oder Aufladen bei Temperaturen außerhalb des angegebenen Bereichs kann den Akku schädigen und die Brandgefahr erhöhen.

6) Service

- a) **Lassen Sie Ihre Werkzeuge durch einen qualifizierten Reparaturtechniker ausschließlich mit identischen Ersatzteilen**

warten. So lässt sich eine gleich bleibende Sicherheit des Elektrowerkzeugs gewährleisten.

- b) **Beschädigte Akkus dürfen keinesfalls gewartet werden.** Die Wartung von Akkus darf nur vom Hersteller oder von Vertragswerkstätten durchgeführt werden.

SICHERHEITSHINWEISE FÜR SÄBELSÄGEN

- **Halten Sie das Gerät an den isolierten Griffflächen, wenn Sie Arbeiten ausführen, bei denen das Einsatzwerkzeug verborgene Stromleitungen treffen kann.** Der Kontakt mit einer spannungsführenden Leitung kann auch metallene Geräteteile unter Spannung setzen und zu einem elektrischen Schlag führen.
- **Halten Sie die Hände vom Sägebereich fern.** Greifen Sie nicht unter das Werkstück. Bei Kontakt mit dem Sägeblatt besteht Verletzungsgefahr.
- **Führen Sie das Elektrowerkzeug nur eingeschaltet gegen das Werkstück.** Es besteht sonst die Gefahr eines Rückschlages, wenn sich das Einsatzwerkzeug im Werkstück verhakt.
- **Achten Sie darauf, dass die Fußplatte beim Sägen immer am Werkstück anliegt.** Das Sägeblatt kann sich verhaken und zum Verlust der Kontrolle über das Elektrowerkzeug führen.
- **Schalten Sie nach Beendigung des Arbeitsvorgangs das Elektrowerkzeug aus und ziehen Sie das Sägeblatt erst dann aus dem Schnitt, wenn dieses zum Stillstand gekommen ist.** So vermeiden Sie einen Rückschlag und können das Elektrowerkzeug sicher ablegen.
- **Verwenden Sie nur unbeschädigte, einwandfreie Sägeblätter.** Verbogene oder unscharfe Sägeblätter können brechen, den Schnitt negativ beeinflussen oder einen Rückschlag verursachen.
- **Bremsen Sie das Sägeblatt nach dem Ausschalten nicht durch seitliches Gegendrücken ab.** Das Sägeblatt kann beschädigt werden, brechen oder einen Rückschlag verursachen.
- **Spannen Sie das Material gut fest.** Stützen Sie das Werkstück nicht mit der Hand oder dem Fuß ab. Berühren Sie keine Gegenstände oder den Erdboden mit der laufenden Säge. Es besteht Rückschlaggefahr.
- **Verwenden Sie geeignete Suchgeräte, um verborgene Versorgungsleitungen aufzuspüren, oder ziehen Sie die örtliche Versorgungsgesellschaft hinzu.** Kontakt mit Elektroleitungen kann zu Feuer und elektrischem Schlag führen.

Beschädigung einer Gasleitung kann zur Explosion führen. Eindringen in eine Wasserleitung verursacht Sachbeschädigung.

- **Halten Sie das Elektrowerkzeug beim Arbeiten fest mit beiden Händen und sorgen Sie für einen sicheren Stand.** Das Elektrowerkzeug wird mit zwei Händen sicherer geführt.
- **Sichern Sie das Werkstück.** Ein mit Spannvorrichtungen oder Schraubstock festgehaltenes Werkstück ist sicherer gehalten als mit Ihrer Hand.
- **Warten Sie, bis das Elektrowerkzeug zum Stillstand gekommen ist, bevor Sie es ablegen.** Das Einsatzwerkzeug kann sich verhaken und zum Verlust der Kontrolle über das Elektrowerkzeug führen.

2. ANGABEN ZUM WERKZEUG

Verwendungszweck

Die Maschine ist zum Sägen von Holz, Kunststoff und Metall bestimmt, wobei die Basisplatte fest auf dem Werkstück aufliegt. Es eignet sich für gerade und gebogene Schnitte. Es ist auch möglich, bündig an der Werkstückoberfläche zu schneiden. Es ist immer ein geeignetes Sägeblatt zu verwenden.

TECHNISCHE DATEN

Model Nr.	RS502AC
Netzspannung	220-240V
Frequenz	50/60Hz
Leerlaufdrehzahl	2600/min
Sägehub	20mm
Max. Sägeleistung Holz	115mm
Max. Sägeleistung Stahl	5mm
Gewicht	2,74 kg
Schalldruckpegel L_{pA}	82.2 dB(A), K=3dB(A)
Schallleistungspegel L_{WA}	93.2 dB(A), K=3dB(A)
Schwingung hinterer Griff	16.844 m/s ² K=1.5 m/s ²
Schwingung vorderer Griff	18.067 m/s ² K=1.5 m/s ²

Vibrationsintensität

Die in dieser Bedienungsanleitung angegebene Vibrationsintensität wurde mit einem standardisierten Test gemäß EN60745 gemessen. Anhand dieser Größe können Werkzeuge miteinander verglichen werden. Außerdem eignet sich diese Größe für eine erste Beur-

teilung der Vibrationsbelastung bei Verwendung des Werkzeugs für die angegebenen Anwendungszwecke.

- Bei Verwendung des Werkzeugs für andere Anwendungen oder mit anderem oder unzureichend gewartetem Zubehör kann sich die Vibrationsbelastung erheblich erhöhen.
- Wenn das Werkzeug ausgeschaltet ist, oder wenn es eingeschaltet ist, jedoch nicht genutzt wird, kann sich die Vibrationsbelastung erheblich verringern.

Schützen Sie sich vor den Auswirkungen der Vibration durch Wartung des Werkzeugs und des Zubehörs, halten Sie Ihre Hände warm, und organisieren Sie Ihren Arbeitsablauf.

BESCHREIBUNG

Die Buchstaben und Ziffern im folgenden Text verweisen auf die Abbildungen auf den Seiten 2 bis 3.

1. Griff
2. Lock-on-Taste
3. Ein / Aus-Taste
4. Griffentriegelungstaste
5. Zusatzhandgriff
6. Basisplatte
7. Sägeblatt
8. Spannfutter
9. Klemmhebel
10. Basisplattenschrauben

3. MONTAGE



Schalten Sie die Maschine vor der Montage aus und ziehen Sie den Netzstecker aus der Steckdose.

Wechseln des Sägeblatts (Abb. A, C)



Tragen Sie beim Anbringen des Sägeblatts Schutzhandschuhe. Verletzungsgefahr beim Berühren des Sägeblattes.



Verwenden Sie nur Sägeblätter, die den Kenndaten in der Betriebsanleitung entsprechen.

Anbringen des Sägeblatts



Achten Sie darauf, dass der Sägeblatthalter frei von Materialrückständen ist (zum Beispiel Holz- oder Metallsplinter).

1. Drehen Sie den Klemmhebel (9) so weit wie möglich nach links und halten Sie ihn in dieser Position fest.
2. Setzen Sie das Sägeblatt in das Spannfutter (8) ein. Überprüfen Sie, dass das Sägeblatt sicher befestigt ist und die Zähne nach unten zeigen.
3. Lassen Sie den Klemmhebel los. Überprüfen Sie, ob das Sägeblatt richtig eingerastet ist.

Stellen Sie sicher, dass Sie das richtige Sägeblatt für das entsprechende Material verwenden. Zur Maschine gehört ein grobes Sägeblatt für Holz und ein feines Sägeblatt für Metall und Kunststoff.

Abnehmen des Sägeblatts

1. Drehen Sie den Klemmhebel (9) so weit wie möglich nach links und halten Sie ihn in dieser Position fest.
2. Nehmen Sie das Sägeblatt aus dem Spannfutter (8).
3. Lassen Sie den Klemmhebel los.

4. BETRIEB

Ein- und Ausschalten (Abb. A)

- Um die Maschine einzuschalten, drücken Sie auf den Ein-/Aus-Schalter (3).
- Um die Maschine auf Dauerbetrieb zu schalten, halten Sie den Ein-/Aus-Schalter (3) gedrückt und drücken Sie gleichzeitig auf die Ausschaltsperre (2).
- Um den Dauerbetrieb auszuschalten, drücken Sie erneut auf den Ein-/Aus-Schalter (3).
- Um die Maschine auszuschalten, lassen Sie den Ein-/Aus-Schalter (3) los.

Anpassung der Basisplatte (Abb. B)

Aufgrund ihrer Beweglichkeit passt sich der Winkel der Basisplatte (6) an das Werkstück an. Zudem kann die Länge der Basisplatte je nach erforderlicher Sägetiefe angepasst werden.

1. Lösen Sie die Schrauben der Basisplatte (10) mit dem mitgelieferten Sechskantschlüssel.
2. Passen Sie die Basisplatte (6) an.
3. Ziehen Sie die Schrauben der Basisplatte (10) mit dem mitgelieferten Sechskantschlüssel fest.

Einstechschneiden (Abb. D)

Einstechschneiden darf nur an weichen Stoffen wie Holz, Gasbeton, Gipskartonplatten usw. angewendet werden. Das erfordert jedoch eine gewisse Erfahrung und ist nur mit kurzen Sägeblättern möglich.

1. Setzen Sie die Säge auf das Werkstück auf und schalten sie an.
2. Achten Sie darauf, dass der untere Rand der Fußplatte auf der Werkstückoberfläche ruht, wie es gezeigt ist.
3. Sägen Sie langsam in einem Winkel in das Werkstück hinein, indem Sie die Säge in eine vertikale Lage bringen und entlang der Schneidlinie weitersägen.
4. Schalten Sie die Säge aus, und nehmen Sie das Werkstück auf, wenn die Arbeit beendet ist.

Bündiges Sägen (Abb. E)

Elastische Bimetall-Sägeblätter ermöglichen Ihnen, hervorstehende Gegenstände (z.B. Wasserleitungen, Eisenstangen usw.) in der Nähe der Wand abzusägen.

1. Legen Sie das Sägeblatt direkt an die Wand und biegen es leicht, so dass die Fußplatte direkt an der Wand ruht.
2. Schalten Sie das Gerät an und sägen das Werkstück ab, wobei ein konstanter seitlicher Druck auf die Wand beibehalten wird.

Anpassen der Haupthandgriff

Vor dem Betrieb kann man die Position des Haupthandgriffs (1) so anpassen, dass sie die Arbeit am bequemsten ausführen lässt. Der Handgriff kann in 5 Positionen eingestellt werden, indem er um 180° um die Längsachse des Gehäuses (jeweils 90° links oder rechts in Bezug auf die Grundposition) gedreht wird.

1. Die Taste der Handgriffverriegelung (4) nach hinten schieben.
2. Den Haupthandgriff in gewünschte Position um die Längsachse des Gehäuses (Fig. F) drehen.
3. Der Haupthandgriff wird automatisch in der gewählten Stellung arretiert.

Optimale Nutzung

- Stellen Sie das Sägeblatt und die Hubgeschwindigkeit entsprechend dem zu bearbeitenden Material ein. Für genaue kreisrunde Kurven ist es am besten, ein schmales Sägeblatt zu benutzen. Beim Sägen von Metall kann Gleichlaufschwankungen durch Auftragen von Kühlmitteln oder Schmiermitteln entlang der Schneidlinie begegnet werden.
- Untersuchen Sie Holz, Spanplatten, Baumaterialien usw. vor dem Sägen auf Fremdkörper (Nägel, Schrauben usw.) und entfernen diese, wenn nötig.

- Klemmen Sie das Material gut fest. Stützen Sie das Werkstück nicht mit der Hand oder dem Fuß. Berühren Sie Gegenstände oder den Fußboden nicht mit der laufenden Säge (Rückstoßgefahr).
- Legen Sie die Fußplatte auf die Oberfläche des Werkstücks, und durchsägen Sie es mit einem konstanten Kontaktdruck oder Vorschub. Wenn das Sägeblatt blockiert wird, schalten Sie das Gerät sofort aus. Dehnen Sie den Spalt mit einem geeigneten Werkzeug aus und ziehen das Sägeblatt heraus.
- Wenn Sie mit der Arbeit fertig sind, schalten Sie das Gerät aus und legen es erst ab, wenn es völlig zum Stillstand gekommen ist.

5. WARTUNG



Schalten Sie das Werkzeug immer aus, und entnehmen Sie den Akku aus dem Gerät, bevor Sie Reinigungs- oder Wartungsarbeiten am Werkzeug vornehmen.

Reinigen Sie das Werkzeuggehäuse regelmäßig mit einem weichen Lappen, vorzugsweise nach jeder Verwendung. Stellen Sie sicher, dass die Lüftungsöffnungen frei von Staub und Schmutz sind. Entfernen Sie anhaftenden Schmutz mit einem weichen Lappen, der leicht mit Seifenwasser befeuchtet wurde. Verwenden Sie keine Lösungsmittel wie Benzin, Alkohol, Ammoniak usw., da Chemikalien dieser Art die Kunststoffteile beschädigen.

UMWELTSCHUTZ



Schadhafte und/oder zu entsorgende elektrische oder elektronische Werkzeuge und Geräte müssen an den dafür vorgesehenen Recycling-Stellen abgegeben werden.

Nur für EG-Länder

Entsorgen Sie Elektrowerkzeuge nicht über den Hausmüll. Entsprechend der EU-Richtlinie 2012/19/EG über Elektro- und Elektronik-Altgeräte sowie der Umsetzung in nationales Recht müssen Elektrowerkzeuge, die nicht mehr im Gebrauch sind, getrennt gesammelt und umweltschonend entsorgt werden.

GARANTIE

VONROC-Produkte werden nach den höchsten Qualitätsstandards entwickelt und sind für den gesetzlich festgelegten Zeitraum, ausgehend von dem ursprünglichen Kaufdatum, garantiert frei von Fehlern in Material und Ausführung. Sollte das Produkt in diesem Zeitraum aufgrund von Material- und/oder Verarbeitungsmängeln Fehler aufweisen, wenden Sie sich bitte direkt an VONROC Kundendienst.

Folgende Umstände sind von der Garantie ausgeschlossen:

- Reparaturen und oder Änderungen an der Maschine, die durch nicht-autorisierte Servicetechniken vorgenommen oder versucht wurden.
- Normale Abnutzung und Verschleiß.
- Das Werkzeug wurde übermäßig beansprucht, missbräuchlich verwendet oder falsch gewartet.
- Es wurden keine Original-Ersatzteile verwendet.

Dies stellt die einzige Gewährleistung des Unternehmens dar, sowohl ausdrücklich als auch implizit. Es gibt keine anderen ausdrücklichen oder stillschweigenden Garantien, die über das hier Genannte hinausgehen, einschließlich der stillschweigenden Garantien der Marktgängigkeit oder Eignung für einen bestimmten Zweck. In keinem Fall ist VONROC haftbar für Neben- oder Folgeschäden. Die Rechtsmittel des Händlers beschränken sich auf Reparatur oder Ersatz fehlerhafter Einheiten oder Teile.

Am Produkt und am Benutzerhandbuch können Änderungen vorgenommen werden. Die technischen Daten können sich ohne Vorankündigung ändern.

1. VEILIGHEIDSVOORSCHRIFTEN

Lees de bijgesloten veiligheidswaarschuwingen, de aanvullende veiligheidswaarschuwingen en de instructies. Het niet opvolgen van de veiligheidswaarschuwingen kan elektrische schokken, brand en/of ernstig letsel tot gevolg hebben. Bewaar de veiligheidswaarschuwingen en instructies als naslagwerk voor later.

De volgende symbolen worden gebruikt in de gebruikershandleiding of op het product:



Lees de gebruikershandleiding.



Gevaar voor lichamelijk letsel, overlijden of schade aan de machine wanneer de instructies in deze handleiding niet worden opgevolgd.



Houd omstanders op afstand.



Draag oogbescherming.



Draag gehoorbescherming.



Draag een stofmasker.



Gevaarlijk gebied! Houd uw handen (10cm) van het zaaggebied verwijderd.



Het product is in overeenstemming met de van toepassing zijnde veiligheidsnormen in de Europese richtlijnen.

ALGEMENE VEILIGHEIDSVOORSCHRIFTEN



WAARSCHUWING! Lees alle veiligheidswaarschuwingen en alle instructies. Het niet opvolgen van onderstaande instructies kan leiden tot een elektrische schok, brand en/of ernstig persoonlijk letsel.

Bewaar deze instructies.

De term "elektrisch gereedschap" in onderstaande waarschuwingen heeft betrekking op zowel apparatuur met een vaste elektriciteitskabel als op apparatuur met een accu (draadloze apparatuur).

1) Werkgebied

- a) **Zorg voor een opgeruimde en goed verlichte werkomgeving.** Rommelige en donkere werkomgevingen leiden tot ongelukken
- b) **Gebruik elektrisch gereedschap nooit in een omgeving waar explosiegevaar bestaat, zoals in de nabijheid van ontvlambare vloeistoffen, gassen, dampen of andere stoffen.** Elektrische gereedschappen kunnen vonken veroorzaken, die deze stoffen tot ontbranding kunnen brengen.
- c) **Wanneer u elektrisch gereedschap gebruikt, houd dan kinderen en omstanders op afstand.** Wanneer u wordt afgeleid, kunt u de controle over het gereedschap verliezen.

2) Elektrische veiligheid

- a) **Stekkers van elektrische gereedschappen moeten probleemloos passen op het stopcontact. Breng nooit wijzigingen aan in of aan de stekker. Gebruik geen adapters voor gearde elektrische gereedschappen.** Standaardstekkers en passende stopcontacten verkleinen de kans op een elektrische schok.
- b) **Voorkom lichamelijk contact met gearde oppervlakken van bijvoorbeeld pijpen, leidingen, radiatoren, fornuizen en koelkasten.** Wanneer uw lichaam geaard is, wordt de kans op een elektrische schok groter.
- c) **Stel elektrische gereedschappen nooit bloot aan regen of vocht.** Wanneer er water binnendringt in een elektrisch gereedschap, wordt de kans op een elektrische schok groter.
- d) **Gebruik het snoer niet om het elektrisch gereedschap te dragen, te verplaatsen of de stekker uit het stopcontact te trekken. Bescherm het snoer tegen olie, warmte, scherpe randen en bewegende delen.** Beschadigde of vastzittende snoeren vergroten de kans op een elektrische schok.
- e) **Wanneer u elektrische gereedschappen buiten gebruikt, gebruik dan een verlengkabel die geschikt is voor buitengebruik.** Door een kabel te gebruiken die geschikt is voor buitengebruik, wordt de kans op een elektrische schok kleiner.
- f) **Gebruik een aardlekbeveiliging (RCD) als niet te voorkomen is dat een powertool moet worden gebruikt in een vochtige omgeving.** Gebruik van een RCD vermindert het risico van elektrische schokken.

- 3) Persoonlijke veiligheid**
- a) **Blijf altijd alert, kijk goed wat u doet en gebruik uw gezonde verstand wanneer u een elektrisch gereedschap gebruikt. Gebruik geen elektrische gereedschappen wanneer u moe bent, of drugs, alcohol of medicijnen hebt gebruikt.** Eén moment van onachtzaamheid bij het gebruik van elektrische gereedschappen kan ernstige verwondingen tot gevolg hebben.
 - b) **Gebruik persoonlijke beschermingsmiddelen. Draag altijd een veiligheidsbril.** Een gepast gebruik van veiligheidsvoorzieningen, zoals een stof masker, speciale werkschoenen met antislipzolen, een veiligheidshelm en gehoorbescherming verkleinen de kans op persoonlijk letsel.
 - c) **Voorkom dat het gereedschap per ongeluk wordt gestart. Zorg dat de schakelaar op de UITpositie staat, voordat u de stekker in het stopcontact steekt.** Draag elektrisch gereedschap nooit met uw vinger op de schakelaar en steek ook nooit de stekker van ingeschakelde elektrische gereedschappen in het stopcontact: dit leidt tot ongelukken.
 - d) **Verwijder alle instel en andere sleutels uit het elektrisch gereedschap voordat u hem inschakelt.** Instel en andere sleutels aan een ronddraaiend onderdeel van het elektrisch gereedschap kunnen tot verwondingen leiden.
 - e) **Zorg dat u nooit uw evenwicht kunt verliezen; houd altijd twee voeten stevig op de vloer.** Hierdoor kunt u het elektrisch gereedschap in onverwachte situaties beter onder controle houden.
 - f) **Zorg dat u geschikte kleding draagt. Draag geen loshangende kleding of sieraden. Houd uw haar, kleding en handschoenen uit de buurt van bewegende delen.** Loshangende kleding, sieraden en lang haar kunnen vast komen te zitten in bewegende delen.
 - g) **Wanneer er voorzieningen zijn voor de aansluiting van stofafzuiginstallaties, zorg dan dat ze op de juiste wijze worden aangesloten en gebruikt.** Gebruik van deze voorzieningen vermindert de gevaren die door stof worden veroorzaakt.
 - h) **Denk niet dat doordat u gereedschap vaak gebruikt, u wel weet hoe het allemaal werkt en dat u de veiligheidsbeginselen voor het gebruik van het gereedschap wel kunt negeren.** Een onbezonnen actie kan in een fractie van een seconde ernstig letsel tot gevolg hebben.
- 4) Gebruik en onderhoud van elektrisch gereedschap**
- a) **Oefen geen overmatige kracht uit op elektrisch gereedschap. Gebruik het juiste gereedschap voor uw specifieke toepassing.** Met het juiste elektrische gereedschap voert u de taak beter en veiliger uit wanneer dit op de snelheid gebeurt waarvoor het apparaat is ontworpen.
 - b) **Gebruik nooit elektrisch gereedschap waarvan de AAN/UITschakelaar niet werkt.** Ieder elektrisch gereedschap dat niet kan worden in en uitgeschakeld met de schakelaar is gevaarlijk en moet worden gerepareerd.
 - c) **Trek de stekker uit het stopcontact voordat u wijzigingen aanbrengt aan elektrische gereedschappen, accessoires verwisselt of het elektrisch gereedschap opbergt.** Wanneer u zich aan deze preventieve veiligheidsmaatregelen houdt, beperkt u het risico dat het gereedschap per ongeluk wordt gestart.
 - d) **Berg elektrisch gereedschap dat niet in gebruik is op buiten bereik van kinderen en laat personen die niet bekend zijn met het gereedschap of deze instructies het apparaat niet gebruiken.** Elektrisch gereedschap is gevaarlijk in de handen van ongeoeffende gebruikers.
 - e) **Zorg voor een goed onderhoud van elektrisch gereedschap. Controleer of bewegende delen op de juiste wijze zijn vastgezet. Controleer ook of er geen onderdelen defect zijn of dat er andere omstandigheden zijn die van invloed kunnen zijn op de werking van het gereedschap. Laat het gereedschap bij beschadigingen repareren vóór gebruik.** Veel ongelukken worden veroorzaakt door slecht onderhoud van het gereedschap.
 - f) **Zorg dat snij en zaagwerktuigen scherp en schoon blijven.** Goed onderhouden snij en zaagwerktuigen met scherpe randen zullen minder snel vastlopen en zijn eenvoudiger onder controle te houden.
 - g) **Gebruik alle elektrische gereedschappen, accessoires, bitjes etc., zoals aangegeven in deze instructies en op de wijze waarvoor het gereedschap is ontworpen. Houd daarbij rekening met de werkomstandigheden en de uit te voeren taak.** Gebruik van elektrisch gereedschap voor handelingen die afwijken van de taken waarvoor het apparaat is ontworpen kunnen leiden tot gevaarlijke situaties.
 - h) **Houd handgrepen en greepoppervlakken droog, schoon en vrij van olie en vet.** Gladde

handgrepen en greepoppervlakken maken veilig werken en controle over het gereedschap in onverwachte situaties onmogelijk.

5) Gebruik en onderhoud accugereedschap

- a) **Laad alleen op met de lader die door de fabrikant is gespecificeerd.** Een lader die voor een bepaalde accu geschikt is, kan brand veroorzaken wanneer deze met een andere accu wordt gebruikt.
 - b) **Gebruik elektrisch gereedschap alleen met de speciaal hiervoor bedoelde accu's.** Gebruik van andere accu's kan kans op letsel en brand geven.
 - c) **Wanneer de accu niet in gebruik is, houd deze dan uit de buurt van andere metalen voorwerpen zoals paperclips, munten, sleutels, spijkers, schroeven of andere kleine metalen voorwerpen die een verbinding tussen twee polen kunnen maken.** Kortsluiting tussen de accupolen kan brandwonden of brand veroorzaken.
 - d) **Wanneer de accu niet juist wordt gebruikt, kan er vloeistof uit lopen; raak dit niet aan. Wanneer dit per ongeluk wel gebeurt, spoel dan met water. Wanneer de vloeistof in de ogen komt, moet u een arts raadplegen.** De vloeistof uit de accu kan irritaties of brandwonden veroorzaken.
 - e) **Gebruiken niet een accu of gereedschap dat beschadigd is of gemodificeerd.** Beschadigde of gemodificeerde accu's kunnen onvoorspelbaar gedrag vertonen, wat brand, explosie of een risico van letsel met zich meebrengt.
 - f) **Stel een accu over het gereedschap niet bloot aan open vuur of een uitzonderlijk hoge temperatuur.** Blootstelling aan vuur of een temperatuur hoger dan 130 °C, kan een explosie veroorzaken. NB De temperatuur van "130 °C" kan worden vervangen door de temperatuur van "265 °F".
 - g) **Houd u aan alle instructies voor het laden en laad de accu of het gereedschap niet op buiten het temperatuurbereik dat in de instructies wordt aangeduid.** Op een onjuiste wijze laden of laden bij temperaturen buiten het aangeduide bereik kan de accu beschadigen en het risico van brand doen toenemen.
- 6) Service**
- a) **Laat uw gereedschap onderhouden door een gekwalificeerde onderhoudstechnicus die alleen gebruikmaakt van identieke vervangingsonderdelen.** Dit zorgt ervoor dat de

veiligheid van de power tool intact blijft.

- b) **Voer nooit servicewerkzaamheden uit aan beschadigde accu's.** Alleen de fabrikant of geautoriseerde service-providers mogen servicewerkzaamheden aan accu's uitvoeren.

VEILIGHEIDSVORSCHRIFTEN VOOR RECIPROZAGEN

- **Houd het gereedschap aan de geïsoleerde greepvlakken vast als u werkzaamheden uitvoert waarbij het inzetgereedschap verborgen stroomleidingen kan raken.** Contact met een onder spanning staande leiding kan ook metalen delen van het gereedschap onder spanning zetten en tot een elektrische schok leiden.
- **Houd uw handen uit de buurt van de plaats waar wordt gezaagd.** Grijp niet onder het werkstuk. Bij aanraking van het zaagblad bestaat verwondingsgevaar.
- **Beweeg het elektrische gereedschap alleen ingeschakeld naar het werkstuk.** Anders bestaat er gevaar voor een terugslag als het inzetgereedschap in het werkstuk vasthaakt.
- **Let erop dat de voetplaat tijdens het zagen altijd tegen het werkstuk ligt.** Het zaagblad kan vasthaken en dit kan tot het verlies van de controle over het elektrische gereedschap leiden.
- **Schakel het elektrische gereedschap na beëindiging van de werkzaamheden uit en trek het zaagblad pas uit de zaagsnede nadat het gereedschap tot stilstand is gekomen.** Zo voorkomt u een terugslag en kunt u het elektrische gereedschap veilig neerleggen.
- **Gebruik alleen onbeschadigde zaagbladen die helemaal in orde zijn.** Verbogen of niet-scherpe zaagbladen kunnen breken, het zagen negatief beïnvloeden of een terugslag veroorzaken.
- **Rem het zaagblad na het uitschakelen niet af door er aan de zijkant tegen te drukken.** Anders kan het zaagblad beschadigd worden, breken of een terugslag veroorzaken.
- **Span het materiaal goed vast.** Ondersteun het werkstuk niet met uw hand of voet. Raak geen voorwerpen of de vloer met de lopende zaag aan. Er bestaat gevaar voor terugslag.
- **Gebruik een geschikt detectieapparaat om verborgen stroom-, gas- of waterleidingen op te sporen of raad pleeg het plaatselijke energie- of waterleidingbedrijf.** Contact met elektrische leidingen kan tot brand of een elektrische schok leiden. Beschadiging van een gasleiding kan tot

een explosie leiden. Breuk van een waterleiding veroorzaakt materiële schade.

- **Houd het elektrische gereedschap tijdens de werkzaamheden stevig met beide handen vast en zorg ervoor dat u stevig staat.** Het elektrische gereedschap wordt met twee handen veiliger geleid.
- **Zet het werkstuk vast.** Een met spanvoorzieningen of een bankschroef vastgehouden werkstuk wordt beter vastgehouden dan u met uw hand kunt doen.
- **Wacht tot het elektrische gereedschap tot stilstand is gekomen voordat u het neerlegt.** Het inzetgereedschap kan vasthaken en dit kan tot het verlies van de controle over het elektrische gereedschap leiden.

2. TECHNISCHE INFORMATIE

Bedoeld gebruik

De machine is bedoeld voor het zagen van hout, plastic en metaal terwijl de grondplaat stevig op het werkstuk rust. Het is geschikt voor rechte en gebogen zaagsneden. Het is ook mogelijk om vlak op het werkstukoppervlak te snijden. Er moet altijd een geschikt zaagblad worden gebruikt.

TECHNISCHE SPECIFICATIES

Model Nr.	RS502AC
Spanning	220-240V
Frequentie	50/60Hz
Onbelast toerental	2600/min
Zaagbeweging	20mm
Max. zaagcapaciteit hout	115mm
Max. zaagcapaciteit staal	5mm
Gewicht	2,74 kg
Geluidsdruk L_{PA}	82.2 dB(A), K=3dB(A)
Geluidsniveau L_{WA}	93.2 dB(A), K=3dB(A)
Trillingen achterste handgreep	16.844 m/s ² K=1.5 m/s ²
Trillingen voorste handgreep	18.067 m/s ² K=1.5 m/s ²

Trillingsniveau

Het trillingsmissieniveau, dat in deze gebruiksaanwijzing wordt vermeld, is gemeten in overeenstemming met een gestandaardiseerde test volgens EN 60745; deze mag worden gebruikt om twee machines met elkaar te vergelijken en als voorlopige beoordeling van de blootstelling aan trilling bij gebruik van de machine voor de vermelde toepassingen.

- Het gebruik van de machine voor andere toepassingen, of met andere of slecht onderhouden accessoires, kan het blootstellingsniveau aanzienlijk verhogen.
- Wanneer de machine is uitgeschakeld of wanneer deze loopt maar geen werk verricht, kan dit het blootstellingsniveau aanzienlijk reduceren.

Bescherm uzelf tegen de gevolgen van trilling door de machine en de accessoires te onderhouden, uw handen warm te houden en uw werkwijze te organiseren.

BESCHRIJVING

De nummers in de tekst verwijzen naar de diagrammen op pagina 2-3.

1. Handvat
2. Vergrendelknop
3. Aan / uit-knop
4. Handvat ontgrendelknop
5. Extra handgreep
6. Voetplaat
7. Zaagblad
8. Zaaghouder
9. Klemhendel
10. Voetplaatbouten

3. ASSEMBLAGE



Schakel voor assemblage altijd de machine uit en verwijder de netstekker uit het stopcontact.

Het zaagblad vervangen (Afb. A, C)



Draag beschermende handschoenen wanneer u het zaagblad monteert. Gevaar voor persoonlijk letsel wanneer u het zaagblad aanraakt.



Gebruik alleen zaagbladen waarvan de typische gegevens overeenkomen met die in de bedieningsinstructies.

Het zaagblad monteren



Let erop dat de zaagbladhouder vrij is van resten van materiaal (zoals splinters van hout of metaal).

1. Draai de klemhendel (9) zover mogelijk naar links en houd de hendel in die positie.
2. Steek het zaagblad in de zaaghouder (8). Con-

troleer dat het zaagblad stevig bevestigd is en dat de tanden naar beneden wijzen.

3. Laat de klemhendel los. Controleer dat het zaagblad op z'n plaats is vergrendeld.

Zorg ervoor dat u het juiste zaagblad voor het overeenkomstige materiaal gebruikt. Inbegrepen bij de machine is een grof zaagblad voor hout en een fijn zaagblad voor metaal en kunststoffen.

Het zaagblad verwijderen

1. Draai de klemhendel (9) zover mogelijk naar links en houd de hendel in die positie.
2. Haal het zaagblad uit de zaaghouder (8).
3. Laat de klemhendel los.

4. BEDIENING

In- en uitschakelen (Afb. A)

- Om de machine in te schakelen, drukt u de aan/uit-schakelaar (3) in.
- Om de machine naar continubedrijf te schakelen, houdt u de aan/uit-schakelaar (3) ingedrukt en drukt gelijktijdig de vergrendelingsknop (2) in.
- Om continubedrijf uit te schakelen, drukt u de aan/uit-schakelaar (3) nogmaals in.
- Om de machine uit te schakelen, laat u de aan/uit-schakelaar (3) los.

De voetplaat afstellen (Afb. B)

Doordat de voetplaat (6) beweegbaar is, past de hoek ervan zich aan het werkstuk aan. Verder kan de lengte van de voetplaat worden afgesteld, afhankelijk van de vereiste zaagdiepte.

1. Draai de bouten van de voetplaat (10) los met de bijgeleverde inbussleutel.
2. Stel de voetplaat (6) af.
3. Draai de bouten van de voetplaat (10) vast met de bijgeleverde inbussleutel.

Invallend zagen (Fig. D)

Het maken van een gat mag alleen worden gedaan bij zachte materialen zoals hout, cellenbeton, gipsplaten, enz. Dit vereist echter enige oefening en is alleen mogelijk met korte zaagbladen.

1. Plaats de zaag op het werkstuk en schakel het in.
2. Zorg ervoor dat de onderste hoek van de zool rust op het werkstuk zoals is afgebeeld.
3. Zaag rustig onder een hoek in het werkstuk, beweeg de zaag naar een verticale positie en ga verder met zagen langs de zaaglijn.

4. Schakel de zaag uit en til hem van het werkstuk wanneer u klaar bent met zagen.

Vlak afzagen (Fig. E)

Elastische bi-metalen zaagbladen maken het mogelijk om uitstekende objecten (bijv. waterleidingen, ijzeren stangen, enz.) nabij een muur af te zagen.

1. Druk het zaagblad direct tegen de muur en buig het enigszins zodat de zool tegen de muur rust.
2. Schakel de machine in en zaag het werkstuk af door een constant laterale druk uit te oefenen langs de muur.

Verstellen van het handvat

Alvorens met het werk te beginnen, kan de meest comfortabele positie van het handvat worden ingesteld. Het handvat kan in 5 standen gepositioneerd worden door deze 180° rond de as van de behuizing te draaien (90° naar links of rechts ten opzichte van de basispositie).

1. Schuif de blokkadeknop van het handvat (4) naar achteren.
2. Draai het handvat naar de gekozen positie rond de as van de behuizing (Fig. F).
3. Het handvat blokkeert automatisch in de gekozen stand.

Zaagtips

- Pas het zaagblad en het toerental aan op het materiaal dat u gaat bewerken. Het is het beste om een smal zaagblad te gebruiken voor bochten. Gebruik een koel- of glijmiddel wanneer u metaal zaagt om vibraties te voorkomen.
- Controleer hout, spaanplaat, bouw materiaal enz., op harde objecten (spijkers, schroeven enz.), voordat u gaat zagen en verwijder deze indien nodig.
- Klem het materiaal stevig vast. Ondersteun het werkstuk nooit met uw hand of voet. Raak nooit objecten of de vloer aan wanneer de zaag nog ingeschakeld is (gevaar op een terugslag).
- Druk de zool stevig tegen het werkstuk en zaag net een constante druk en snelheid. Wanneer het zaagblad vastloopt schakel dan onmiddellijk de zaag uit. Maak de zaagsnede wijder met een geschikt stuk gereedschap en verwijder het zaagblad.
- Schakel de machine na het werk uit en leg het pas neer wanneer het zaagblad volledig stil staat.

5. ONDERHOUD



Schakel, voordat u met de reiniging en het onderhoud begint, altijd de machine uit en haal het accupack uit de machine.

Reinig de machinebehuizing regelmatig met een zachte doek, bij voorkeur iedere keer na gebruik. Zorg dat de ventilatiesleuven vrij van stof en vuil zijn. Gebruik bij hardnekkig vuil een zachte doek bevochtigd met zeepwater. Gebruik geen oplosmiddelen als benzine, alcohol, ammonia, etc. Dergelijke stoffen beschadigen de kunststof onderdelen.

MILIEU



Defecte en/of afgedankte elektrische of elektronische gereedschappen dienen ter verwerking te worden aangeboden aan een daarvoor verantwoordelijke instantie.

Uitsluitend voor EG-landen

Werp elektrisch gereedschap niet weg bij het huisvuil. Conform de Europese Richtlijn 2012/19/EG voor Afgedankte Elektrische en Elektronische Apparatuur en de implementatie ervan in nationaal recht moet niet langer te gebruiken elektrisch gereedschap gescheiden worden verzameld en op een milieuvriendelijke wijze worden verwerkt.

GARANTIE

VONROC producten zijn ontworpen volgens de hoogste kwaliteitsstandaarden en gegarandeerd vrij van defecten, zowel materieel als fabrieksfouten, tijdens de wettelijk vastgestelde garantieperiode vanaf de eerste aankoopdatum. Mocht het product tijdens deze periode gebreken vertonen veroorzaakt door defecte materialen en/of fabrieksfouten, neem dan rechtstreeks contact op met VONROC.

De volgende situaties vallen niet onder de garantie:

- Er zijn reparaties of aanpassingen aan de machine uitgevoerd, of er is een poging daartoe ondernomen, door een nietgeautoriseerd servicecentrum.
- Normale slijtage.
- De machine is misbruikt, verkeerd gebruikt of slecht onderhouden.
- Er zijn niet-originele reserveonderdelen gebruikt.

Dit vormt de enige garantie opgesteld door het bedrijf zowel expliciet als impliciet. Er bestaan geen andere garanties expliciet of impliciet welke verder gaan dan deze garantie, inclusief impliciete garanties van verkoopbaarheid en geschiktheid voor bepaalde doeleinden. In geen enkel geval kan VONROC aansprakelijk worden gesteld voor incidentele schade of gevolgschade. Reparaties van dealers zijn gelimiteerd tot de reparatie of vervanging van defecte producten of onderdelen.

Het product en de gebruikershandleiding zijn onderhevig aan wijzigingen. Specificaties kunnen zonder opgaaf van redenen worden gewijzigd.

1. CONSIGNES DE SÉCURITÉ

En plus des avertissements de sécurité suivants, veuillez également lire les avertissements de sécurité additionnels ainsi que les instructions. Le non-respect des avertissements de sécurité et des instructions peut entraîner une décharge électrique, un incendie et/ou des blessures graves. Veuillez conserver les avertissements de sécurité et les instructions pour consultation ultérieure.

Les symboles suivants sont utilisés dans le manuel d'utilisation ou apposés sur le produit:



Lisez le manuel d'utilisation.



Signale un risque de blessures, un danger mortel ou un risque d'endommagement de l'outil en cas de non-respect des instructions de ce manuel.



Tenir les autres personnes à distance.



Porter une protection oculaire.



Porter une protection auditive.



Porter un masque antipoussière.



Zone de danger ! Tenir les mains éloignées (10 cm) de la zone de coupe lorsque la machine est en marche. Risque de blessure en cas de contact avec la lame de scie.



Avertissement de rayonnement laser.



Le produit est conforme aux normes de sécurité en vigueur spécifiées dans les directives européennes.

CONSIGNES GÉNÉRALES DE SÉCURITÉ



AVERTISSEMENT! Veuillez lire l'intégralité des avertissements de sécurité et des instructions. Le nonrespect de toutes les instructions indiquées cidessous peut entraîner un risque de choc électrique, d'incendie et/ou de blessures graves.

Conservez ces instructions.

Le terme "appareil électrique" mentionné dans tous les avertissements cidessous se rapporte à un appareil électrique qui se branche au réseau électrique (grâce à un câble d'alimentation) ou à un appareil électrique (sans fil) fonctionnant grâce à une batterie.

1) espace de travail

- Veillez toujours à garder votre espace de travail propre et bien éclairé.** Les espaces mal rangés et sombres peuvent être la cause d'accidents.
- N'utilisez pas les appareils électriques dans des environnements susceptibles d'explosion, par exemple en présence de liquides inflammables, de gaz ou de particules.** Les appareils électriques provoquent des étincelles qui peuvent enflammer les particules des émanations.
- Veillez à garder éloignés les enfants et les personnes se trouvant dans votre voisinage, lors de l'utilisation d'un appareil électrique.** Les distractions peuvent vous faire perdre le contrôle de l'appareil.

2) mesures de sécurité électriques

- Les prises des appareils électriques doivent être raccordées à la prise murale correspondante. Ne modifiez jamais la prise de l'appareil, de quelque façon que ce soit. N'utilisez pas d'adaptateurs qui mettent les appareils électriques à la terre (mise à la masse).** Des prises non modifiées et branchées à la prise murale correspondante réduiront les risques de choc électrique.
- Évitez le contact direct avec les surfaces mises à la terre ou mises à la masse comme les canalisations, les radiateurs, les cuisinières et les réfrigérateurs.** En effet, le risque de choc électrique s'accrut si votre corps est mis à la terre ou à la masse.
- N'utilisez pas d'outils électriques dans des environnements pluvieux ou humides.** Si de l'eau s'introduit dans un appareil électrique, le risque de choc électrique augmentera.
- N'utilisez pas le câble de manière abusive. N'utilisez jamais le câble pour transporter, tirer ou débrancher l'appareil électrique. Veillez à garder le câble éloigné des sources de chaleur, des huiles, des rebords coupants ou des pièces actionnées.** Les câbles endommagés ou entremêlés augmentent le risque de choc électrique.

- e) **Lorsque un appareil est utilisé à l'extérieur, utilisez uniquement un câble prolongateur prévu à cet effet.** L'utilisation d'un câble à usage extérieur réduit le risque de choc électrique.
- f) **Si vous êtes contraint d'utiliser un outil électrique dans un environnement humide, utilisez une alimentation protégée par un dispositif à courant résiduel (RCD).** L'utilisation d'un RCD réduit le risque de décharge électrique.
- 3) Sécurité personnelle**
- a) **Restez vigilant, gardez un œil sur ce que vous faites et utilisez votre sens commun lors de l'utilisation d'un appareil électrique. N'utilisez pas un appareil électrique si vous êtes fatigué ou si vous êtes sous l'influence de drogues, d'alcool ou si vous prenez des médicaments.** Un moment d'inattention lors de l'utilisation des appareils électriques peut entraîner des blessures graves.
- b) **Utilisez un équipement de protection personnelle. Protégez-vous toujours les yeux.** Les équipements de protection, tels qu'un masque à poussière, des chaussures antidérapantes, des protections auditives ou un casque de sécurité, utilisés dans de bonnes conditions, réduiront le risque de blessures.
- c) **Prévenez tout démarrage involontaire. Assurez-vous que l'interrupteur est sur la position "arrêt avant de brancher l'appareil.** En effet, le transport des appareils électriques en gardant vos doigts sur l'interrupteur, ou le branchement de ces appareils en ayant l'interrupteur sur "marche accidents.
- d) **Retirez les clés de réglage ou les clés de vis de réglage avant d'allumer l'appareil électrique.** Une clé de vis de réglage ou une clé, laissée sur une pièce en mouvement de l'appareil électrique, peut entraîner des lésions corporelles.
- e) **Ne pas se précipiter. Gardez toujours vos pieds à plat et gardez votre équilibre.** Ceci permet de mieux contrôler l'appareil électrique dans des situations imprévues.
- f) **Habillez-vous convenablement. Ne portez pas de vêtements lâches ou de bijoux. Gardez vos cheveux, vêtements et gants éloignés des pièces actionnées.** En effet, ces derniers peuvent être pris dans les pièces en action.
- g) **Si les appareils sont fournis pour la connexion des équipements d'évacuation et de récupération de la poussière, assurez-vous que ces derniers soient correctement connectés et utilisés.** L'utilisation de ces appareils peut réduire les risques liés à la poussière.
- h) **Ne pensez pas être familiarisé avec l'outil après l'avoir utilisé à de nombreuses reprises, au point de ne plus rester vigilant et d'en oublier les consignes de sécurité.** Toute action imprudente peut engendrer de graves blessures en une fraction de seconde.
- 4) Utilisation et entretien d'un appareil électrique**
- a) **Ne forcez pas l'appareil électrique. Utilisez l'appareil électrique adéquat pour votre application.** Un appareil électrique correctement choisi assurera un meilleur travail et un travail sans danger, au rythme auquel il a été conçu.
- b) **N'utilisez pas l'appareil électrique si l'interrupteur marche/arrêt ne fonctionne pas.** Un appareil électrique qui ne peut pas être commandé par l'interrupteur de contrôle est dangereux et doit être réparé.
- c) **Débranchez la prise du bloc d'alimentation avant d'effectuer des réglages, de changer des accessoires, ou de ranger les appareils électriques.** Ces mesures de sécurité préventives réduiront le risque de démarrage involontaire de l'appareil électrique.
- d) **Rangez les appareils électriques arrêtés hors de la portée des enfants et ne laissez aucune personne, non familiarisée avec l'outil ou ces instructions, utiliser l'appareil électrique.** Les appareils électriques sont dangereux entre les mains d'utilisateurs non formés.
- e) **Entretenez les appareils électriques. Vérifiez tout défaut d'alignement et l'enchaînement des pièces actionnées, la rupture de ces dernières, et les autres conditions qui peuvent affecter le fonctionnement des appareils électriques. En cas de dommages, faites réparer l'appareil électrique avant de le réutiliser.** Nombreux sont les accidents provoqués par des appareils électriques mal entretenus.
- f) **Veillez à garder les outils coupants aiguisés et propres.** Des outils coupants correctement entretenus avec des lames aiguisées sont moins susceptibles de se bloquer et sont plus faciles à contrôler.
- g) **Utilisez l'appareil électrique, les accessoires et les embouts, etc., conformément à ces instructions et de la manière prévue pour le type spécifique de l'appareil électrique, en prenant en compte les conditions de travail et**

le travail à effectuer. L'utilisation de l'appareil électrique dans des applications différentes de celles prévues peut entraîner des situations dangereuses.

- h) **Gardez les poignées et les surfaces de préhension sèches, propres et exemptes d'huile et de graisse.** Des poignées et des surfaces de préhension glissantes ne permettent pas de manipuler et de contrôler l'outil correctement en cas de situations inattendues.
- h) **Gardez les poignées et les surfaces de préhension sèches, propres et exemptes d'huile et de graisse.** Des poignées et des surfaces de préhension glissantes ne permettent pas de manipuler et de contrôler l'outil correctement en cas de situations inattendues.
- 5) Utiliser et soigner les outils à batterie**
- a) **Rechargez la batterie uniquement avec le chargeur spécifié par le fabricant.** Un chargeur adapté à une certaine batterie peut être cause de danger d'incendie quand on l'utilise avec une batterie différente.
- b) **Utilisez chaque outil uniquement avec la batterie conçue pour lui.** L'utilisation de toute autre batterie peut être cause de danger de blessure ou d'incendie.
- c) **Lorsque une batterie n'est pas en usage, gardez-la hors d'atteinte d'objets métalliques tels que les trombones, pièces de monnaie, clés, clous, vis et autres petits objets métalliques pouvant faire le contact entre une borne et l'autre.** Un court-circuit entre les bornes de la batterie peut être cause de brûlures ou d'incendie.
- d) **Dans des circonstances extrêmes, du liquide peut gicler hors de la batterie ; évitez tout contact. En cas de contact accidentel, rincez à l'eau. En cas de contact du liquide avec les yeux, consultez un médecin.** Le liquide qui gicle d'une batterie peut causer irritations ou brûlures.
- e) **N'utilisez pas un bloc-batterie ou un outil endommagé ou modifié.** Une batterie endommagée ou altérée peut avoir un comportement imprévisible qui peut conduire à un incendie, une explosion ou un risque de blessure.
- f) **N'exposez pas le bloc-batterie ou l'outil au feu ou à des températures excessives.** L'exposition au feu ou à des températures dépassant 130 °C peut provoquer une explosion. REMARQUE La température de "130°C" peut être remplacé par

la température de "265°F".

- g) **Respectez les instructions pour la charge et ne rechargez pas le bloc-batterie ou l'outil à une plage de températures hors de celle spécifiée dans les instructions.** Une charge mal effectuée ou à des températures hors de la plage spécifiée peut endommager la batterie et augmente le risque d'incendie.
- 6) Maintenance**
- a) **L'entretien de votre outil électrique doit être confié à un réparateur qualifié qui utilise uniquement des pièces de rechange identiques aux pièces d'origine.** Cela permet d'assurer la sécurité de l'outil électrique.
- b) **Ne réparez jamais des blocs-batteries endommagés.** Les réparations sur les blocs-batteries ne doivent être effectuées que par le fabricant ou l'un de ses prestataires de services agréés.

INSTRUCTIONS DE SÉCURITÉ POUR SCIES SABRE

- **Tenir l'outil par les surfaces de préhension isolées, lors de la réalisation d'une opération au cours de laquelle l'organe de coupe peut entrer en contact avec un câblage non apparent.** Le contact avec un fil « sous tension » peut également mettre « sous tension » les parties métalliques exposées de l'outil électrique et provoquer un choc électrique sur l'opérateur.
- **Garder les mains à distance de la zone de sciage.** Ne pas passer les mains sous la pièce à travailler. Lors d'un contact avec la lame de scie, il y a risque de blessures.
- **N'approchez l'outil électroportatif de la pièce à travailler que quand l'appareil est en marche.** Sinon, il y a risque d'un contrecoup, au cas où l'outil se coincerait dans la pièce.
- **Veiller à ce que la plaque de base repose bien sur la pièce à travailler lors du sciage.** La lame de scie risque de se coincer, ce qui entraîne une perte de contrôle de l'outil électroportatif.
- **Une fois l'opération terminée, arrêter l'outil électroportatif et ne retirer la lame de scie de sa ligne de coupe que lorsque celle-ci est complètement à l'arrêt.** Ainsi, un contrecoup est évité et l'outil électroportatif peut être retiré en toute sécurité.
- **N'utiliser que des lames de scie en parfait état.** Les lames de scie déformées ou émoussées

peuvent se casser, avoir des effets négatifs sur la qualité de la coupe ou causer un contrecoup.

- **Une fois l'appareil arrêté, ne pas stopper la lame de scie en exerçant une pression latérale sur celle-ci.** La lame de scie peut être endommagée, se casser ou causer un contrecoup.
- **Bien serrer le matériau dans l'étau.** Ne pas soutenir la pièce à travailler avec la main ou le pied. Ne pas toucher d'objets ou le sol avec la scie en fonctionnement. Il y a risque de contrecoup.
- **Utiliser des détecteurs appropriés afin de déceler des conduites cachées ou consulter les entreprises d'approvisionnement locales.** Un contact avec des conduites d'électricité peut provoquer un incendie ou un choc électrique. Un endommagement d'une conduite de gaz peut provoquer une explosion. La perforation d'une conduite d'eau provoque des dégâts matériels.
- **Toujours bien tenir l'outil électroportatif des deux mains et veiller à toujours garder une position de travail stable.** Avec les deux mains, l'outil électroportatif est guidé de manière plus sûre.
- **Bloquer la pièce à travailler.** Une pièce à travailler serrée par des dispositifs de serrage appropriés ou dans un étau est fixée de manière plus sûre que tenue dans les mains.
- **Avant de déposer l'outil électroportatif, attendre que celui-ci soit complètement à l'arrêt.** L'outil risque de se coincer, ce qui entraînerait une perte de contrôle de l'outil électroportatif.

2. INFORMATIONS RELATIVES À LA MACHINE

Utilisation prévue

La machine est conçue pour scier le bois, le plastique et le métal tout, en maintenant la semelle reposer fermement sur l'ouvrage. Il convient aux coupes droites et incurvées. Il est également possible de couper au ras de la surface de la pièce. Une lame de scie adaptée doit toujours être utilisée.

SPÉCIFICATIONS TECHNIQUES

N° de modèle	RS502AC
Tension du réseau	220-240V
Fréquence	50/60Hz
Vitesse à vide	2600/min
Course de la scie	20mm

Capacité maximale, bois	115mm
Capacité maximale, acier	5mm
Poids	2,74 kg
pression sonore L_{PA}	82.2 dB(A), K=3dB(A)
puissance sonore L_{WA}	93.2 dB(A), K=3dB(A)
Vibration poignée arrière	16.844 m/s ² K=1.5 m/s ²
Vibration poignée avant	18.067 m/s ² K=1.5 m/s ²

Niveau de vibrations

Le niveau des vibrations émises, indiqué dans ce manuel, a été mesuré conformément à la procédure décrite par la norme EN60745. Il peut être utilisé pour comparer deux outils ou pour réaliser une estimation préalable de l'exposition aux vibrations lors de l'utilisation de l'outil pour les applications mentionnées.

- L'utilisation de l'outil dans d'autres applications ou avec des accessoires différents ou mal entretenus peut considérablement augmenter le niveau d'exposition.
- La mise hors tension de l'outil et sa non-utilisation pendant qu'il est allumé peuvent considérablement réduire le niveau d'exposition.

Protégez-vous contre les effets des vibrations par un entretien correct de l'outil et de ses accessoires, en vous échauffant les mains et en organisant vos rythmes de travail.

DESCRIPTION

Les numéros dans le texte se rapportent aux schémas des pages 2-3.

1. Poignée
2. Bouton de verrouillage
3. Bouton marche / arrêt
4. Bouton de déverrouillage
5. Poignée auxiliaire
6. Semelle
7. Lame de scie
8. Mandrin
9. Levier de serrage
10. Boulon de la semelle

3. MONTAGE



Si vous voulez procéder à des travaux d'entretien sur le mécanisme, mettez la machine hors secteur.

Remplacer la lame de scie (Fig. A)

Portez des gants de protection pour installer la lame de scie. Risque de blessure en cas de contact avec la lame.



N'utilisez que des lames de scie correspondant aux caractéristiques mentionnées dans les instructions d'utilisation.

Installer la lame de scie

Assurez-vous que le porte-lame est exempt de tout débris de matériau (éclats de bois ou de métal par exemple).

1. Tournez le levier de serrage (9) aussi loin que possible vers la gauche et maintenez-le en position.
2. Insérez la lame de scie dans le mandrin (8). Contrôlez que la lame de scie est bien sécurisée et que les dents pointent vers le bas.
3. Relâchez le levier de serrage. Contrôlez que la lame de scie est bien verrouillée en place.

Assurez-vous d'utiliser la bonne lame de scie pour le matériau correspondant. Inclus avec la machine est une lame de scie grossière pour le bois et une lame de scie fine pour le métal et les plastiques.

Retirer la lame de scie

1. Tournez le levier de serrage (9) aussi loin que possible vers la gauche et maintenez-le en position.
2. Retirez la lame de scie du mandrin (8).
3. Relâchez le levier de serrage.

4. FONCTIONNEMENT**Mise en marche et arrêt (Fig. A)**

- Pour mettre la machine en marche, appuyez sur l'interrupteur marche/arrêt (3).
- Pour mettre la machine en fonctionnement continu, enfoncez l'interrupteur marche/arrêt (3) sans le relâcher et appuyez sur le bouton de verrouillage (2).
- Pour arrêter la machine en fonctionnement continu, appuyez encore une fois sur l'interrupteur marche/arrêt (3).
- Pour arrêter la machine, relâchez l'interrupteur marche/arrêt (3).

Régler la semelle (Fig. B)

Du fait de sa mobilité, l'angle de la semelle (6) peut s'adapter à l'ouvrage. De plus, la longueur de la se-

melle peut être réglée en fonction de la profondeur de coupe voulue.

1. Dévissez les boulons de la semelle (10) à l'aide de la clé à six pans fournie.
2. Réglez la semelle (6).
3. Revissez les boulons de la semelle (10) à l'aide de la clé à six pans fournie.

Sciage en plongée (Fig. D)

Le sciage en plongée peut être effectuée uniquement sur des matériaux tendres comme le bois, les bétons cellulaires, les plaques de plâtre etc.. Cela exige cependant une certaine pratique et est uniquement possible avec des lames courtes.

1. Appuyez la scie sur la pièce à découper et mettez la sous tension.
2. Assurez-vous que le bord inférieur de la semelle est en appui sur la surface de la pièce à découper comme le montre le schéma.
3. Commencez à découper en pénétrant la scie selon un angle incliné, puis mettez la scie verticalement et continuez à scier long de la ligne de coupe.
4. Mettez la scie hors tension et retirez-la de la pièce lorsque le travail est terminé.

Sciage des pièces affleurantes (Fig. E)

Les lames souples bi métal vous permettent de scier les objets rencontrés dans le mur (ex: tuyaux, barreaux etc.)

1. Posez directement contre le mur la lame de la scie et ensuite incurvez-la de manière à ce que la semelle reste en appui contre le mur.
2. Mettez l'outil sous tension et découpez la pièce en maintenant une pression latérale constante contre le mur.

Réglage de la poignée principale

Avant de commencer, vous pouvez régler la poignée principale (1) sur le position la plus confortable pour la tâche. La poignée peut être mise en place en 5 positions dans la plage de rotation de 180 ° dans l'axe long du corps de l'outil (90 ° à gauche ou à droite de la position de base).

1. Déplacez le bouton de déverrouillage de la poignée (4) vers l'arrière.
2. Tournez la poignée principale autour de l'axe long de l'outil pour obtenir position (fig. F).
3. La poignée principale se verrouille automatiquement dans la position souhaitée.

Utilisation optimale

- Réglez la lame de sciage et la cadence en fonction du matériau. Pour des découpes à angle droit il est conseillé d'utiliser une lame étroite. Utilisez un produit refroidissant ou lubrifiant pour éviter les vibrations se manifestant le long de la ligne de coupe des métaux.
- Préalablement à toute découpe, vérifiez que le bois, l'aggloméré, les matériaux de construction ne comportent pas de corps étrangers (clous, vis, etc...), le cas échéant les retirer, si nécessaire.
- Fixez correctement le matériau. Ne le maintenez pas en place manuellement ou avec le pied. Ne touchez pas les objets ou le sol avec la scie sous tension (risque de coup de fouet).
- Appuyez la semelle sur la surface de la pièce à découper et sciez en effectuant une pression et progression constantes. En cas de blocage de la lame, éteignez immédiatement l'outil. Écartez les deux bords de la pièce avec un outil approprié et dégagez la lame.
- la fin de la découpe, éteignez l'outil et attendez qu'il soit complètement arrêté avec de le poser.

5. ENTRETIEN



Avant le nettoyage et l'entretien, mettez toujours la machine hors tension et retirez la batterie de la machine.

Nettoyez le corps de la machine régulièrement au moyen d'un chiffon doux, de préférence après chaque utilisation. Vérifiez que les ouvertures d'aération ne sont pas obstruées ni sales. Utilisez un chiffon doux légèrement humidifié avec de la mousse de savon pour nettoyer les taches persistantes. N'utilisez pas de produits de nettoyage tels que l'essence, l'alcool, l'ammoniac, etc.; ces produits peuvent endommager les parties synthétiques.

ENVIRONNEMENT



Les équipements électroniques ou électriques défectueux ou destinés à être mis au rebut doivent être déposés aux points de recyclage appropriés.

Uniquement pour les pays de l'UE

Ne jetez pas les outils électriques avec les déchets domestiques. Selon la Directive européenne 2012/19/CE relative aux déchets d'équipements électriques et électroniques et sa mise en œuvre dans le droit national, les outils électriques hors d'usage doivent être collectés séparément et mis au rebut de manière écologique.

GARANTIE

Les produits VONROC sont développés aux plus hauts standards de qualité et ils sont garantis contre les défauts de pièces et de main d'oeuvre pendant la durée légale stipulée à partir de la date d'achat d'origine du produit. En cas d'une quelconque panne du produit pendant cette durée qui serait due à un défaut matériel et/ou de main d'oeuvre, contactez directement VONROC.

Les circonstances suivantes ne sont pas prises en charge par la garantie:

- Des réparations ou altérations ont été effectuées ou tentées sur la machine par un centre de réparation non agréé.
- L'usure normale.
- L'outil a été maltraité, mal utilisé ou mal entretenu.
- Des pièces détachées non d'origine ont été utilisées.

Ceci constitue l'unique garantie accordée par la société explicitement ou implicitement. Il n'existe aucune autre garantie, explicite ou implicite, qui peut s'étendre au delà du contenu ici présent, y compris les garanties marchandes ou d'adaptation à des fins particulières. En aucun cas VONROC ne sera tenu responsable de dommages accidentels ou consécutifs. Les solutions proposées par les revendeurs devront se limiter à la réparation ou le remplacement des éléments ou pièces non conformes.

Le produit et le manuel d'utilisation sont sujets à modifications. Les spécifications peuvent changer sans préavis.

1. ADVERTENCIAS DE SEGURIDAD

Lea las advertencias de seguridad, las advertencias de seguridad adicionales y las instrucciones adjuntas. Si no respeta las advertencias de seguridad y las instrucciones, pueden ocasionarse descargas eléctricas, incendios y/o lesiones graves. Guarde las advertencias de seguridad y las instrucciones para su futura consulta.

En el manual de usuario y en el producto se emplean los siguientes símbolos:



Lea el manual de usuario.



Denota riesgo de lesiones personales, pérdida de vida o daños a la herramienta en caso de incumplimiento de las instrucciones del presente manual.



Mantenga a las personas ajenas a la herramienta y especialmente a los niños y a las mascotas a una distancia mayor de 10 m.



Utilice protección ocular.



Utilice protección auditiva.



Use mascarilla contra el polvo.



¡Zona de peligro! Mantenga las manos alejadas (10 cm) del área de corte cuando la máquina está en funcionamiento. Peligro de lesiones al entrar en contacto con la hoja de la sierra.



El producto es conforme a las normas de seguridad aplicables según las directivas europeas.

INSTRUCCIONES GENERALES DE SEGURIDAD



PRECAUCIÓN!

Lea todas las advertencias de seguridad y todas las instrucciones. Si no lo hace, el uso indebido puede acarrear cortocircuitos, fuego o lesiones graves.

Conserve estas instrucciones.

El término "herramienta eléctrica", en todas las advertencias enumeradas a continuación se refiere a su herramienta eléctrica (i nalámbrica) que funciona con una batería o a través de la red eléctrica.

1) Área de trabajo

- Trabaje en un lugar limpio y bien iluminado.** Lugares no iluminados o sucios propician accidentes.
- No use herramientas eléctricas donde haya riesgo de fuego o explosión, p.ej: cerca de líquidos o gases inflamables, polvo etc.** Las herramientas eléctricas producen chispas que pueden producir la ignición de partículas de humo.
- Mantenga a los niños y otras personas alejados mientras utiliza la herramienta eléctrica.** Las distracciones pueden hacer que pierda el control de la herramienta.

2) Seguridad eléctrica

- Cerciórese de que las clavijas de la herramienta eléctrica están correctamente enchufadas. Nunca modifique la clavija. No utilice ningún adaptador para la clavija de una herramienta eléctrica con conexión a tierra.** Las clavijas que no se hayan cambiado y los enchufes adecuados reducen el riesgo de cortocircuitos.
- Evite el contacto humano con superficies con conexiones a tierra como tubos metálicos, conductos, tubos de la calefacción, radiadores y refrigeradores.** El riesgo de cortocircuitos es mayor cuando el cuerpo está en contacto con el suelo.
- No use herramientas eléctricas bajo la lluvia o en entornos húmedos.** Si entra agua en una herramienta eléctrica aumenta el riesgo de cortocircuito.
- No utilice el cable para todo. Nunca utilice el cable para mover la máquina, empujarla o sacar la clavija del enchufe. Mantenga el cable alejado del calor, aceite, zonas cortantes o piezas en movimiento.** Los cables dañados o enredados aumentan el riesgo de cortocircuito.
- Use un cable alargador impermeable adecuado para exteriores cuando trabaje con la herramienta eléctrica al aire libre.** El riesgo de cortocircuito es menor si utiliza un cable alargador adecuado para exteriores.
- Si no se puede evitar el uso de la herramienta eléctrica en un lugar húmedo, use suministro protegido mediante dispositivo diferencial resi-**

dual (DDR). El uso de un DDR reduce el riesgo de choque eléctrico.

- h) **No permita que la familiaridad adquirida con el uso frecuente de las herramientas le haga confiarse e ignorar los principios de seguridad de las herramientas.** Una acción descuidada puede causar lesiones graves en una fracción de segundo.
- 3) Seguridad personal**
- a) **No se descuide, preste atención a lo que está haciendo y utilice el sentido común mientras trabaje con esta herramienta. No use herramientas eléctricas cuando esté cansado o esté bajo los efectos del alcohol, las drogas o los medicamentos.** Un momento de distracción, mientras utilice la herramienta eléctrica, puede provocar lesiones personales graves.
- b) **Use equipo de protección individual. Use siempre gafas protectoras.** El uso en condiciones apropiadas del equipo de seguridad como por ejemplo: mascarilla antipolvo, zapatos antideslizantes de seguridad, casco o protección para los oídos, disminuye el riesgo de sufrir lesiones personales.
- c) **Evite arranques involuntarios. Asegúrese de que el interruptor está en la posición de apagado antes de conectarlo a la fuente de electricidad.** Transportar herramientas eléctricas con el dedo puesto sobre el interruptor o enchufarlas con el interruptor encendido puede causar accidentes.
- d) **Quite cualquier llave de ajuste antes de encender la herramienta eléctrica.** Una llave olvidada junto a una pieza móvil de la herramienta eléctrica puede provocar lesiones personales graves.
- e) **No se estire demasiado. Mantenga siempre el equilibrio y tenga los pies en el suelo.** Esto permite un mayor control de la herramienta eléctrica en situaciones inesperadas.
- f) **Vístase apropiadamente. No lleve prendas holgadas o joyas. Mantenga su pelo, ropa y guantes alejados de las piezas móviles.** Las prendas holgadas, las joyas y el pelo largo pueden quedar atrapados en las piezas móviles.
- g) **Si se han suministrado dispositivos para la extracción y recogida de polvo asegúrese de que estos estén conectados y se utilicen correctamente.** El uso de estos dispositivos puede reducir los riesgos relacionados con el polvo.
- h) **Mantenga las asas y las superficies de agarre secas, limpias y libres de aceite y grasa.** Las asas y las superficies de agarre resbaladizas no permiten un manejo y control seguros de la herramienta en situaciones inesperadas.
- 4) Utilización y cuidados de la herramienta eléctrica**
- a) **No fuerce la herramienta eléctrica. Utilice la herramienta eléctrica adecuada para el trabajo que vaya a realizar.** Una herramienta eléctrica apropiada realizará un trabajo mejor y más seguro si se utiliza para el objetivo con el que ha sido diseñada.
- b) **No use herramientas que no pueden encenderse o apagarse con el interruptor.** Las herramientas que ya no se puedan encender y apagar son peligrosas y deben repararse.
- c) **Desenchufe la clavija de la toma de electricidad antes de realizar modificaciones, cambiar accesorios o guardar las herramientas eléctricas.** Tales medidas de seguridad preventivas reducen el riesgo de la puesta en marcha accidental.
- d) **Mantenga a los niños alejados de una herramienta eléctrica sin utilizar y no permita a personas que no estén familiarizadas con la máquina o estas instrucciones utilizar la herramienta.** La herramienta eléctrica puede ser peligrosa cuando la utilicen personas sin experiencia.
- e) **Conserve sus herramientas cuidadosamente. Verifique cualquier desalineación o agarrotamiento de piezas móviles, piezas dañadas y cualquier otra causa, que pudiera repercutir en el buen funcionamiento de la herramienta eléctrica. Si la herramienta está estropeada, repárela antes de utilizarla.** Muchos de los accidentes están causados por un mantenimiento insuficiente del equipo eléctrico.
- f) **Mantenga las herramientas de corte limpias y afiladas.** Sierras con esquinas cortantes con un buen mantenimiento se bloquean menos y son más fáciles de controlar.
- g) **Utilice la herramienta eléctrica, accesorios y brocas etc. Siguiendo las instrucciones atendiendo al tipo de herramienta eléctrica y tenga en cuenta las condiciones de trabajo y el tipo de trabajo que se va a realizar.** Puede ser peligroso realizar trabajos con la herramienta diferentes de aquellos para los que está diseñada.
- 5) Uso y cuidado de las herramientas alimentadas por batería**
- a) **Recargue las baterías únicamente con el cargador recomendado por el fabricante.** Un

cargador que es apto para un tipo de baterías determinado puede provocar riesgo de incendio si se usa para cargar otra clase de baterías.

- b) **Use las herramientas eléctricas sólo con las baterías indicadas específicamente.** El uso de otra clase de baterías diferente puede ocasionar el riesgo de derivar en lesiones o un incendio.
- c) **Cuando el paquete de baterías no esté en uso, consérvelo retirado de objetos metálicos como sujetapapeles, monedas, llaves, clavos, tornillos o cualquier otro objeto metálico pequeño que pueda hacer puente entre las terminales.** El contacto entre las terminales de la batería puede causar quemaduras o incendio.
- d) **Bajo condiciones extremas de abuso la batería podría expulsar un líquido; evite todo contacto. Si se produjese contacto accidentalmente, lávese bien con agua. Si el líquido hace contacto con los ojos, consulte también al médico.** El líquido emanado de la batería puede causar irritaciones o quemaduras.
- e) **No utilice una batería o una herramienta que esté dañada o modificada.** Las baterías dañadas o modificadas pueden presentar un comportamiento impredecible y provocar un incendio, una explosión o riesgo de lesiones.
- f) **No exponga una batería o una herramienta al fuego o a temperatura excesiva.** La exposición al fuego o a temperaturas superiores a 130 °C puede provocar una explosión.
NOTA: La temperatura "130 °C" puede sustituirse por la temperatura "265 °F".
- g) **Siga todas las instrucciones de carga y no cargue la batería o la herramienta fuera del rango de temperatura especificado en las instrucciones.** La carga incorrecta o a temperaturas fuera del rango especificado puede causar daños a la batería y aumentar el riesgo de incendio.
- 6) Servicio**
- a) **Haga reparar su herramienta eléctrica por una persona cualificada, usando solo piezas de repuesto idénticas.** Esto garantiza que se mantenga la seguridad de la herramienta eléctrica.
- b) **Nunca repare las baterías dañadas.** El mantenimiento de las baterías debe ser realizado solo por el fabricante o los proveedores de servicio autorizados.

ADVERTENCIAS DE SEGURIDAD PARA SIERRAS ALTERNATIVAS

- Aferre la herramienta eléctrica por las superficies de agarre aisladas cuando realice alguna operación en la que el accesorio de corte pueda entrar en contacto con cables ocultos. Si el accesorio de corte entra en contacto con un cable bajo tensión, puede exponer las partes metálicas de la herramienta a tensión y ocasionar una descarga eléctrica al operador.
- Mantenga las manos alejadas de la zona de corte. No ponga la mano debajo de la pieza de trabajo. El contacto con la hoja de la sierra puede causar lesiones.
- Coloque la máquina sobre la pieza de trabajo solo cuando la máquina está encendida. De lo contrario, existe el riesgo de contragolpes si la herramienta de corte se atasca en la pieza de trabajo.
- Al serrar, la placa de apoyo debe mirar siempre a la pieza de trabajo. La hoja de la sierra puede quedar atascada y provocar la pérdida de control de la máquina.
- Después de terminar el corte, desconecte la máquina y extraiga la hoja de la sierra del corte solo después de que se haya detenido. De esta manera puede evitar el contragolpe y apoyar la máquina de forma segura.
- Use solo hojas de sierra en perfecto estado y que no estén dañadas. Las hojas de sierra dobladas o desafiladas pueden romperse, arruinar el corte o causar un contragolpe.
- No frene la hoja de sierra para pararla aplicando una presión lateral después de desconectarla. La hoja de la sierra puede dañarse, romperse o causar un contragolpe.
- Sujete bien el material. No sujete la pieza de trabajo con la mano o el pie. No toque objetos ni el suelo con la sierra en funcionamiento. Peligro de contragolpe.
- Use detectores apropiados para determinar si hay líneas de servicios ocultas en el área de trabajo o llame a la compañía de servicios local para obtener información. Cualquier contacto con las líneas eléctricas puede provocar incendios y descargas eléctricas.
Si se daña un tubo de gas, se puede provocar una explosión. Si se penetra en una línea de agua, se pueden causar daños a la propiedad.
- Cuando trabaje con la máquina, sujétela siempre firmemente con ambas manos y adopte una

- postura firme. La herramienta eléctrica se guía de modo más seguro con ambas manos.
- Afiance la pieza de trabajo. Una pieza de trabajo fijada con dispositivos de fijación o en un tornillo de banco se sujeta de forma más segura que con la mano.
 - Espere siempre a que la máquina se detenga completamente antes de apoyarla. La pieza insertada puede atascarse y provocar la pérdida de control de la herramienta eléctrica.

2. INFORMACIÓN DE LA MÁQUINA

Uso previsto

La máquina ha sido diseñada para serrar madera, plástico y metal mientras se mantiene la placa de apoyo firmemente asentada en la pieza de trabajo. Es adecuada para cortes rectos y curvos. También se puede cortar a ras de la superficie de la pieza. Siempre se debe usar una hoja de sierra adecuada.

DATOS TÉCNICOS

Modelo n.º	RS502AC
Tensión	220-240V
Frecuencia	50/60Hz
Potencia	900W
Velocidad sin carga	0-2600/min
Carrera de la sierra	20mm
Cap. máx. de la sierra, madera	115mm
Capacidad máx. de serrado del acero	5mm
Peso	2.74 kg
Nivel de presión acústica (L_{pA})	82.2 dB(A), K=3dB(A)
Nivel de potencia acústica (L_{wA})	93.2 dB(A), K=3dB(A)
Mango trasero antivibraciones	16.844 m/s ² K=1.5 m/s ²
Mango frontal antivibraciones	18.067 m/s ² K=1.5 m/s ²

Nivel de vibración

El nivel de emisión de vibraciones declarado en el presente manual de instrucciones ha sido medido de acuerdo con una prueba normalizada establecida por la norma EN 60745; puede usarse para comparar una herramienta con otra y como evaluación preliminar de exposición a la vibración cuando se usa la herramienta para las aplicaciones mencionadas

- usar la herramienta para diferentes aplicaciones o con accesorios diferentes o escasamente mantenidos, puede aumentar significativamente el nivel de exposición
- cuando la herramienta está apagada o está en funcionamiento, pero no ejecuta realmente ninguna tarea, puede reducir significativamente el nivel de exposición.

Protéjase contra los efectos de las vibraciones haciendo el mantenimiento de la herramienta y sus accesorios, manteniendo las manos calientes y organizando sus patrones de trabajo.

DESCRIPCIÓN

Los números del texto se refieren a los diagramas de la página 2-3.

1. Asa
2. Botón de bloqueo
3. Botón de encendido/apagado
4. Botón de desbloqueo del mango
5. Empuñadura auxiliar
6. Placa de apoyo
7. Hoja de la sierra
8. Portaherramienta
9. Palanca de sujeción
10. Pernos de la placa de apoyo

3. MONTAJE



Antes de realizar cualquier trabajo en la máquina, desconecte el cable de alimentación de la red eléctrica.

Sustitución de la hoja de sierra (figuras A y C)



Cuando monte la hoja de la sierra, use guantes protectores. Peligro de lesiones al tocar la hoja de la sierra.



Utilice únicamente hojas de sierra que correspondan con los datos de las características indicados en las instrucciones de funcionamiento.

Montar la hoja de la sierra



Compruebe que el portahoja no tenga restos de material (como astillas de madera o metal).

1. Gire la palanca de sujeción (9) lo más a la izquierda posible y mantenerla en esa posición.
2. Insertar la hoja de la sierra en el mandril (8). Compruebe que la hoja de la sierra está bien sujeta y que los dientes apuntan hacia abajo.
3. Suelte la palanca de sujeción. Compruebe si la hoja de la sierra está bloqueada en su sitio. Asegúrese de usar la hoja de sierra adecuada para el material que corresponda. La máquina se suministra con una hoja de sierra para madera y una hoja de sierra fina para metal y plástico.

Desmontar la hoja de la sierra

1. Gire la palanca de sujeción (9) lo más a la izquierda posible y mantenerla en esa posición.
2. Extraer la hoja de sierra del mandril (8).
3. Suelte el anillo de sujeción.

4. OPERACIÓN

Encendido y apagado (fig. A)

- Para encender la máquina, presione el interruptor de encendido/apagado (3).
- Para cambiar la máquina al modo continuo, mantenga presionado el interruptor de encendido/apagado (3) y presione a la vez el botón de bloqueo (2).
- Para apagar el modo continuo, presione de nuevo el interruptor de encendido/apagado (3).
- Para apagar la máquina, suelte el interruptor de encendido/apagado (3).

Ajuste de la placa de apoyo (fig. B)

Gracias a su movilidad, el ángulo de la placa de apoyo (6) se adapta a la pieza de trabajo. Además, la longitud de la placa de apoyo puede ajustarse en función de la profundidad de aserrado necesaria.

1. Afloje los pernos de la placa de apoyo (10) utilizando la llave hexagonal suministrada.
2. Ajuste la placa de apoyo (6).
3. Apriete los pernos de la placa de apoyo (10) utilizando la llave hexagonal suministrada.

Corte de desplome (Fig. D)

El corte de desplome tan sólo puede utilizarse con materiales suaves como la madera, el hormigón aireado, los paneles de yeso, etc. Sin embargo, exige una determinada práctica y tan sólo es posible con hojas de sierra cortas.

1. Coloque la sierra en la pieza de trabajo y enciéndala.
2. Asegúrese de que el borde inferior de la placa base permanece en la pieza de trabajo tal y como se indica.
3. Corte lentamente la pieza de trabajo en ángulo, moviendo la sierra en posición vertical a lo largo de la línea de corte.
4. Apague la sierra y retirela de la pieza cuando haya acabado el trabajo.

Corte a ras (Fig. E)

Las hojas de las sierras elásticas bi-metálicas le permiten cortar objetos salientes (tuberías de agua, barras de acero, etc.) cercanas a la pared. Asegúrese de que la hoja de sierra se extiende más allá del diámetro del material que esté trabajando.

1. Aplique la hoja de la sierra directamente a la pared y tuerza ligeramente para que la placa base descansa en la pared.
2. Encienda la herramienta y sierre la pieza de trabajo manteniendo una presión lateral constante contra la pared.

Ajuste del mango principal (figuras A y F)

Antes de empezar a utilizar la herramienta puede ajustar el mango principal (1) en la posición más cómoda para la tarea. El mango puede ajustarse en 5 posiciones y en un rango de rotación de 180° en el eje largo del cuerpo de la herramienta (90° a la izquierda o a la derecha desde la posición de base).

1. Mueva hacia atrás el botón de desbloqueo del mango (4).
2. Gire el mango principal en torno al eje largo de la herramienta hasta la posición deseada (fig. F).
3. El mango principal se bloquea automáticamente en la posición deseada.

Uso óptimo

- Utilice la hoja de la sierra y la frecuencia de impulsos adecuadas para el material con el que vaya a trabajar. Para lograr curvas de radio correctas, lo más recomendable es utilizar una hoja de sierra estrecha. Aplique refrigerante o lubricante para tratar las oscilaciones que se producen a lo largo de la línea de corte al serrar metal.
- Antes de serrar, compruebe que en la madera, la madera aglomerada, los materiales de cons-

trucción, etc. no haya objetos duros (clavos, tornillos, etc.) y retírelos en caso necesario.

- Inmovilice bien el material. No sujete la pieza de trabajo con la mano o el pie. No toque objetos o el suelo con la sierra en funcionamiento (peligro de contragolpe).
- Coloque la plataforma en la superficie de la pieza de trabajo y sierre con ella mediante presión de contacto o avance constante. Si la hoja de sierra se atasca, apague la máquina de inmediato.
Separe el espacio con una herramienta adecuada y extraiga la hoja de sierra.
- Tras finalizar el trabajo, apague la máquina y apóyela únicamente cuando se haya parado del todo.

5. MANTENIMIENTO



Antes de hacer la limpieza y el mantenimiento, apague siempre la máquina y extraiga el paquete de baterías de la misma.

Limpie regularmente la carcasa de la máquina con un paño suave, preferentemente después de cada uso. Compruebe que los orificios de ventilación estén libres de polvo y suciedad. Elimine el polvo persistente utilizando un paño suave humedecido con agua y jabón. No use disolventes tales como gasolina, alcohol, amoníaco, etc. Tales productos químicos pueden dañar los componentes sintéticos.

MEDIOAMBIENTE



Los aparatos eléctricos o electrónicos defectuosos y/o desechados deben recogerse en lugares de reciclado apropiado.

Solo para países de la Comunidad Europea

No elimine las herramientas eléctricas como residuos domésticos. De acuerdo con la Directiva europea 2012/19/EU sobre residuos de aparatos eléctricos y electrónicos, y su transposición a las legislaciones nacionales, las herramientas eléctricas que ya no se utilizan deben recogerse por separado y eliminarse en modo ecológico. El producto y el manual de usuario están sujetos a variaciones. Las especificaciones pueden variarse sin previo aviso.

CONDICIONES DE GARANTÍA

Los productos VONROC han sido desarrollados con los más altos estándares de calidad y VONROC garantiza que están exentos de defectos relacionados con los materiales y la fabricación durante el periodo legalmente estipulado, a contar desde la fecha de compra original. En caso de que el producto presente defectos relacionados con los materiales y/o la fabricación durante este periodo, póngase directamente en contacto VONROC.

La presente garantía se excluye en los siguientes casos:

- Si centros de servicios no autorizados han realizado o han intentado realizar reparaciones y/o alteraciones a la máquina.
- Si se ha producido un desgaste normal.
- Si la herramienta ha sido mal tratada o usada en modo impropio, o se ha realizado incorrectamente su mantenimiento.
- Si se han utilizado piezas de repuesto no originales.

La presente constituye la única garantía implícita y explícita que ofrece la compañía. No existen otras garantías explícitas o implícitas que excedan las citadas aquí, incluidas las garantías implícitas de comerciabilidad e idoneidad para una finalidad en especial. VONROC no será considerada responsable en ningún caso por daños incidentales o consecuentes. Los recursos a disposición de los distribuidores se limitan a la reparación o a la sustitución de las unidades o piezas no conformes.

El producto y el manual de usuario están sujetos a variaciones. Las especificaciones pueden variarse sin previo aviso.

1. AVVERTENZE DI SICUREZZA

Leggere le avvertenze di sicurezza contenute nel presente manuale, le avvertenze di sicurezza aggiuntive e le istruzioni. La mancata osservanza delle avvertenze di sicurezza e delle istruzioni potrebbe causare scosse elettriche, incendi e/o lesioni gravi. Conservare le avvertenze di sicurezza e le istruzioni per una futura consultazione.

I simboli riportati di seguito vengono utilizzati all'interno del manuale per l'utente oppure sono indicati sul prodotto:



Leggere il manuale per l'utente.



Denota il rischio di lesioni personali, morte o danni all'utensile in caso di mancata osservanza delle istruzioni contenute nel presente manuale.



Tenere i presenti (in particolare bambini e animali domestici) a più di 10 metri di distanza



Indossare dispositivi di protezione per gli occhi.



Indossare dispositivi di protezione per l'udito.



Indossare una maschera antipolvere.



Area di pericolo! Tenere le mani a debita distanza (10 cm) dall'area di taglio mentre la macchina è in funzione. Pericolo di lesioni personali in caso di contatto con la lama.



Il prodotto è conforme alle norme di sicurezza vigenti ai sensi delle direttive europee.

REGOLE GENERALI DI SICUREZZA



ATTENZIONE! Leggere tutte le avvertenze di sicurezza e tutte le istruzioni. Se non si seguono tutte le istruzioni sotto elencate, si può incorrere in uno shock elettrico, in un incendio e/o in lesioni serie.

Conservare queste istruzioni.

Il termine "arnese elettrico" in tutti gli avvertimenti sotto elencati si riferisce al vostro arnese elettrico che funziona a corrente (con filo) o ad un arnese che funziona a pile (senza filo).

1) Area di lavoro

- a) **Mantenere l'area di lavoro pulita e ben illuminata.** Aree buie e disordinate favoriscono gli incidenti.
- b) **Non usare arnesi elettrici in atmosfere esplosive, come vicino ai liquidi infiammabili, gas o polveri.** Gli arnesi elettrici creano scintille che possono incendiare la polvere dei vapori.
- c) **Tenere lontani bambini e altre persone mentre si accende l'arnese elettrico.** Le distrazioni possono farvi perdere il controllo.

2) Sicurezza elettrica

- a) **Le spine dell'arnese elettrico devono andare bene per la presa di corrente. Non modificare mai la spina in alcun modo. Non usare alcun adattatore con arnesi elettrici a terra (messo a terra).** Spine non modificate che vanno bene per le prese di corrente ridurranno il rischio di shock elettrico.
- b) **Evitare il contatto corporeo con superfici a terra come tubature, radiatori, fornelli e frigoriferi.** C'è un rischio maggiore di shock elettrico se il vostro corpo è a terra.
- c) **Non esporre arnesi elettrici alla pioggia o a condizioni di umidità.** Se dell'acqua penetra nell'arnese elettrico aumenterà il rischio di shock elettrico.
- d) **Non abusare del filo. Non usare mai il filo per trasportare, spingere o staccare dalla presa l'arnese elettrico. Tenere il filo lontano da calore, olio, bordi taglienti o parti mobili.** Fili danneggiati o aggrovigliati aumentano il rischio di shock elettrico.
- e) **Quando si accende un arnese elettrico all'aperto, usare una prolunga adatta a tale uso.** Usare un filo adatto all'uso all'aperto ridurrà il rischio di shock elettrico.
- f) **Se non è possibile evitare l'uso di un elettro-utensile in ambiente umido, usare una rete di alimentazione protetta da un interruttore differenziale (salvavita).** L'uso di un salvavita riduce il rischio di scosse elettriche.

- 3) Sicurezza personale**
- a) **Stare vigili e attento quando si accende un arnese elettrico. Non usare un arnese elettrico mentre si è stanco o sotto l'effetto di droghe, alcool o medicinali.** Un momento di disattenzione mentre si accendono arnesi elettrici può causare delle gravi lesioni personali.
- b) **Usare dispositivi di protezione individuale. Indossare sempre una protezione per gli occhi.** Dispositivi di sicurezza come mascherina per la polvere, scarpe di sicurezza antiscivolo, casco, o protezioni per le orecchie usate nelle appropriate condizioni, ridurranno le lesioni personali.
- c) **Prevenire l'avvio accidentale. Assicurarsi che l'interruttore sia spento prima di collegarsi.** Trasportare elettrotensili tenendo il dito sull'interruttore di accensione o dare corrente ad elettrotensili con l'interruttore acceso può dare luogo a incidenti.
- d) **Rimuovere ogni chiave regolatrice o chiave per dadi prima di accendere l'arnese elettrico.** Una chiave per dadi o una chiave lasciata attaccata ad una parte rotante dell'arnese elettrico può provocare lesioni personali.
- e) **Cercare di mantenere l'equilibrio. Mantenere sempre un punto d'appoggio appropriato.** Questo consente un controllo migliore dell'arnese elettrico in situazioni inaspettate.
- f) **Vestirsi adeguatamente. Non indossare vestiti larghi o gioielli. Tenere lontano capelli, vestiti e guanti dalle parti mobili.** Vestiti larghi, gioielli o capelli lunghi possono essere presi nelle parti mobili.
- g) **Se vengono forniti dispositivi per la connessione dell'estrazione della polvere e attrezzature di raccolta, assicurarsi che questi siano collegati e usati correttamente.** L'uso di questi dispositivi può ridurre i rischi correlati alla polvere.
- h) **Non lasciare che la confidenza acquisita dall'uso frequente induca l'utilizzatore ad assumere comportamenti imprudenti e a ignorare i principi di sicurezza per l'utensile.** Una semplice distrazione può provocare gravi lesioni personali in una frazione di secondo.
- 4) Uso e manutenzione dell'arnese elettrico**
- a) **Non forzare l'arnese elettrico. Usare l'arnese elettrico corretto per il vostro impiego.** L'arnese elettrico corretto farà il lavoro meglio e in maniera più sicura alla velocità per la quale è stato progettato.
- b) **Non usare l'arnese elettrico se l'interruttore non si accende o non si spegne.** Ogni arnese elettrico che non può essere controllato con l'interruttore è pericoloso e deve essere riparato.
- c) **Scollegare la spina dalla sorgente di elettricità prima di fare qualsiasi regolazione, cambiare gli accessori, o conservare arnesi elettrici.** Tali misure di sicurezza preventive riducono il rischio di accendere l'arnese elettrico accidentalmente.
- d) **Conservare gli arnesi elettrici inattivi fuori dalla portata dei bambini e non permettere a persone che non hanno confidenza con l'arnese elettrico o con queste istruzioni di usare l'arnese elettrico.** Gli arnesi elettrici sono pericolosi per utenti inesperti.
- e) **Mantenere gli arnesi elettrici. Controllare il non allineamento o l'attacco di parti mobili, la rottura di parti ed ogni altra condizione che può influire sul funzionamento degli arnesi elettrici. Se è danneggiato, far riparare l'arnese elettrico prima dell'uso.** Molti incidenti sono causati da arnesi elettrici mantenuti male.
- f) **Mantenere gli arnesi da taglio affilati e puliti.** È meno probabile che si attacchino degli arnesi da taglio mantenuti correttamente con tagli affilate e questi sono anche più facili da controllare.
- g) **Usare l'arnese elettrico, gli accessori e le parti dell'arnese ecc, secondo queste istruzioni e nel modo pensato per il particolare tipo di arnese elettrico, tenendo conto delle condizioni di lavoro e del lavoro da svolgere.** L'uso dell'arnese elettrico per operazioni diverse da quelle pensate potrebbe causare situazioni pericolose.
- h) **Mantenere le impugnature e le superfici di presa asciutte, pulite e libere da olio e grasso.** Impugnature e superfici di presa scivolose non consentono di maneggiare e controllare in sicurezza l'utensile in situazioni impreviste.
- 5) Uso e manutenzione dell'utensile a batteria**
- a) **Ricaricare l'apparecchio esclusivamente con il caricabatterie specificato dal fabbricante.** Se si utilizza un caricabatterie di diverso tipo potrebbero verificarsi incendi.
- b) **Utilizzare gli utensili elettrici solo con i pacchi batterie appositamente prescritti.** L'uso di pacchi batterie di diverso tipo aumenta il rischio di infortunio o incendio.
- c) **Quando il pacco batterie non è in uso, tenerlo lontano da oggetti metallici quali fermagli, monete, chiavi, chiodi, viti o altri piccoli oggetti metallici che potrebbero mettere in collega-**

mento i due poli. Se i poli vengono messi in corto circuito, la batteria potrebbe emettere scintille o fiammate.

- d) **In condizioni di uso scorretto, la batteria potrebbe emettere liquido: evitare pertanto di entrarvi in contatto. In caso di contatto accidentale, risciacquare con acqua. Se il liquido entra a contatto con gli occhi, consultare immediatamente un medico.** Il liquido emesso dalla batteria può causare irritazioni o ustioni.
- e) **Non utilizzare un pacco batterie o l'utensile se danneggiati o manomessi.** Pacchi batterie danneggiati o manomessi potrebbero avere comportamenti imprevedibili con il rischio di incendiarsi, esplodere o provocare lesioni a persone.
- f) **Non esporre un pacco batterie o l'utensile alle fiamme o a temperature eccessivamente elevate.** L'esposizione alle fiamme o a temperature superiori a 130 °C potrebbe provocare un'esplosione.
- NOTA:** la temperatura di "130 °C" corrisponde a "265 °F".
- g) **Seguire tutte le istruzioni per la ricarica e non caricare il pacco batterie o l'utensile a temperature che non rientrino nell'intervallo specificato nelle istruzioni.** Se si effettua la ricarica in modo improprio o a temperature non comprese nell'intervallo specificato, il pacco batterie potrebbe subire danni e potrebbe aumentare il rischio di incendi.

6) Riparazione

- a) **L'assistenza per l'elettrotensile deve essere prestata da un tecnico qualificato che utilizzi soltanto ricambi originali.** In questo modo viene garantita la sicurezza dell'elettrotensile.
- b) **Non tentare di riparare pacchi batterie danneggiati.** La riparazione dei pacchi batteria deve essere effettuata esclusivamente dal produttore o presso centri di assistenza autorizzati.

AVVERTENZE DI SICUREZZA PER LE SEGHE ALTERNATIVE

- Quando si eseguono operazioni in cui l'accessorio da taglio potrebbe entrare in contatto con fili elettrici nascosti, tenerlo esclusivamente dalle superfici di presa isolate. Gli accessori da taglio che vengono a contatto con un cavo sotto tensione trasmettono la corrente elettrica anche alle parti metalliche esposte dell'elettrotensile,

con il pericolo di provocare la folgorazione dell'operatore.

- Tenere le mani lontane dal disco di taglio. Non sporgersi sotto il pezzo in lavorazione. Il contatto con la lama della sega può provocare lesioni personali.
- Appoggiare la lama sul pezzo in lavorazione solo una volta acceso l'elettrotensile. In caso contrario sussiste il pericolo di contraccolpo, se l'utensile da taglio si dovesse inceppare nel pezzo in lavorazione.
- Durante l'esecuzione di un taglio il piedino deve essere sempre rivolto verso il pezzo in lavorazione. La lama della sega può incastrarsi e comportare la perdita di controllo dell'elettrotensile.
- Una volta terminata l'esecuzione del taglio, spegnere l'elettrotensile e, prima di estrarre la lama dal taglio eseguito, attendere che si sia arrestata completamente. In questo modo è possibile evitare contraccolpi e appoggiare la macchina in sicurezza.
- Usare esclusivamente lame integre, in perfette condizioni. Lame deformate o non affilate possono rompersi, influenzare negativamente il taglio oppure causare un contraccolpo.
- Dopo aver spento l'elettrotensile, non cercare di arrestare la lama esercitando una pressione laterale. La lama può danneggiarsi, rompersi o provocare un contraccolpo.
- Bloccare saldamente il materiale. Non sostenere il pezzo in lavorazione con la mano o con il piede. Non toccare oggetti o il pavimento con la sega in funzione. Pericolo di contraccolpo.
- Utilizzare rilevatori appropriati per stabilire se nell'area di lavoro sono presenti fili elettrici o tubature nascoste oppure telefonare all'azienda di erogazione locale per richiedere assistenza. Un contatto accidentale con un filo elettrico può provocare un incendio e una scossa elettrica. Una tubatura del gas danneggiata può causare un'esplosione. La perforazione di una tubatura dell'acqua provoca danni materiali.
- Durante il lavoro tenere saldamente la macchina con entrambe le mani e mantenere sempre un appoggio e un equilibrio adeguati. Con entrambe le mani l'elettrotensile viene condotto in modo più sicuro.
- Fissare il pezzo in lavorazione. Un pezzo bloccato con dispositivi di bloccaggio o in una morsa viene tenuto fermo più saldamente che con le mani.

- Attendere sempre che l'elettro utensile si sia arrestato completamente prima di appoggiarlo. L'utensile accessorio può incepparsi e portare alla perdita di controllo dell'elettro utensile.
- I momenti in cui l'utensile è spento o quando è acceso ma non viene utilizzato potrebbero ridurre sensibilmente il livello di esposizione a vibrazioni.

2. INFORMACIÓN DE LA MÁQUINA

Uso previsto

Questa sega alternativa è concepita per tagliare legno, materiale plastico e metallo, appoggiando il piedino con decisione sul pezzo in lavorazione. Esso è adatta per eseguire tagli curvi e tagli dritti. Inoltre è possibile eseguire tagli a filo della superficie del pezzo in lavorazione. Usare sempre una lama idonea.

DATI TECNICI

Numero modello	RS502AC
Tensione	220-240V
Frequenza	50/60Hz
Potenza	900W
Velocità a vuoto	0-2600/min
Corsa della sega	20mm
Max. capacità di segatura legno	115mm
Spessore max. sega in acciaio	5mm
Peso	2.74 kg
Livello di pressione sonora L_{WA}	93.2 dB(A), K=3dB(A)
Vibrazione impugnatura posteriore	16.844 m/s ² K=1.5 m/s ²
Vibrazione impugnatura anteriore	18.067 m/s ² K=1.5 m/s ²

Livello di emissione di vibrazioni

Il livello di emissione di vibrazioni indicato nel presente manuale d'istruzioni è stato misurato in base al test standardizzato previsto dalla normativa EN 60745; può essere utilizzato per confrontare vari apparecchi fra loro e come valutazione preliminare dell'esposizione alle vibrazioni quando si utilizza l'utensile per le applicazioni menzionate.

- L'uso dell'utensile per applicazioni o con accessori diversi o in condizioni di scarsa manutenzione, potrebbe aumentare notevolmente il livello di esposizione a vibrazioni.

Proteggersi contro gli effetti delle vibrazioni sottoponendo l'utensile e i relativi accessori a regolare manutenzione, evitare il raffreddamento delle mani, organizzare opportunamente i turni di lavoro.

DESCRIZIONE

I numeri che compaiono nel testo si riferiscono agli schemi riportati alle pagine 2-3.

1. Impugnatura
2. Tasto di blocco dell'interruttore
3. Pulsante di accensione/spengimento
4. Pulsante di sblocco impugnatura
5. Impugnatura ausiliaria
6. Piedino
7. Lama
8. Mandrino
9. Leva di bloccaggio
10. Bulloni di fissaggio del piedino

3. MONTAGGIO



Prima di eseguire qualsiasi lavoro sulla macchina, scollegare la spina dalla presa di corrente.

Sostituzione della lama (figg. A, B e C)



Per installare la lama indossare guanti di protezione. Pericolo di lesioni personali in caso di contatto con la lama.



Utilizzare esclusivamente lame che corrispondano alle caratteristiche riportate nelle istruzioni per l'uso.

Installazione della lama



Assicurarsi che il portalama sia libero da residui di materiale (come schegge di legno o di metallo).

1. Ruotare la leva di bloccaggio lama (9) il più possibile verso sinistra e mantenerla in quella posizione.
2. Inserire la lama nel mandrino (8). Verificare che la lama sia fissata saldamente e che i denti siano rivolti verso il basso.

3. Lasciare la leva di bloccaggio lama. Controllare che la lama sia bloccata in posizione.

Assicurarsi di utilizzare la lama idonea per il materiale da tagliare. In dotazione con la sega viene fornita una lama da legno per tagli grossolani e una lama da metalli e materiali plastici per tagli fini.

Rimozione della lama della sega

1. Ruotare la leva di bloccaggio lama (9) il più possibile verso sinistra e mantenerla in quella posizione.
2. Rimuovere la lama dal mandrino (8).
3. Lasciar andare l'anello di fissaggio.

4. FUNZIONAMENTO

Accensione e spegnimento (fig. A)

- Per accendere l'elettrotensile, premere l'interruttore on/off (3).
- Per commutare l'elettrotensile sulla modalità continua, mantenere premuto l'interruttore on/off (3) e contemporaneamente premere il pulsante di blocco (2).
- Per disattivare la modalità continua, premere nuovamente l'interruttore on/off (3).
- Per spegnere l'elettrotensile, rilasciare l'interruttore on/off (3).

Regolazione del piedino (fig. B)

Essendo il piedino (6) mobile, la sua angolazione si adatta al pezzo in lavorazione. Inoltre la lunghezza del piedino può essere regolata in base alla profondità di taglio richiesta.

1. Allentare i bulloni di fissaggio del piedino (10) con la chiave a brugola in dotazione.
2. Regolare il piedino (6).
3. Stringere i bulloni di fissaggio del piedino (10) con la chiave a brugola in dotazione.

Taglio a tuffo (Fig. D)

Il taglio a tuffo può essere utilizzato solo su materiali morbidi come legno, calcestruzzo aerato, cartoni in pietra da gesso, ecc. Tuttavia, questo richiede un certo esercizio ed è possibile solamente con lame di sega corte.

1. Posizionare la sega sul pezzo da lavorare e accenderla.
2. Assicurarsi che l'estremità inferiore della piastra di base sia appoggiata sulla superficie del pezzo da lavorare come indicato.

3. Segare lentamente il pezzo da lavorare ad un'angolazione, spostando la sega in posizione verticale e continuando a segare lungo la linea di taglio.
4. Spegner la sega e sollevare il pezzo da lavorare quando il lavoro è completato.

Segatura a filo (Fig. E)

Le lame di sega elastiche bimetalliche consentono la segatura di oggetti sporgenti (es. tubi dell'acqua, barre di ferro, ecc) vicino a una parete. Prestare attenzione che la lama si estenda oltre il diametro del materiale attualmente lavorato.

1. Applicare la lama della sega direttamente alla parete e piegarla leggermente in modo che la piastra di base rimanga appoggiata contro la parete.
2. Accendere la macchina e segare il pezzo da lavorare mantenendo una pressione laterale costante contro la parete.

Regolazione dell'impugnatura principale (Fig. A e F)

Prima di eseguire l'azione è possibile regolare l'impugnatura principale (1) sulla posizione più comoda per il compito da svolgere. L'impugnatura può essere impostata su 5 posizioni entro un ambito di rotazione di 180° sull'asse oblunga del corpo dell'utensile (90° a sinistra o a destra dalla posizione di base).

1. Spostare indietro il pulsante di sblocco impugnatura (4).
2. Ruotare l'impugnatura principale lungo l'asse oblunga dell'utensile per raggiungere la posizione desiderata (fig. F).
3. L'impugnatura principale si blocca automaticamente nella posizione desiderata.

Utilizzo ottimale

- Regolare la lama e la forza dei colpi per l'adeguamento al materiale da lavorare. Per ottenere le curve corrette del raggio la cosa migliore è utilizzare una lama sottile. Applicare il refrigerante o il lubrificante per compensare l'ondeggiamento lungo la linea di taglio quando viene segato il metallo.
- Verificare il legno, i pannelli truciolati, i materiali da costruzione ecc. per i materiali solidi (chiodi, viti, ecc.) prima di eseguire la segatura e rimuoverli in caso di necessità.

- Bloccare saldamente il materiale. Non sostenere il pezzo in lavorazione con la mano o con il piede. Non toccare oggetti o il pavimento con la sega in funzione (pericolo di contraccolpi).
- Collocare il piedino sulla superficie del pezzo da lavorare e segare attraverso di esso con una pressione o avanzamento di contatto costante. Se la lama prende l'interruttore, la macchina si spegne immediatamente.
Allargare il divario con un utensile adeguato ed estrarre la lama.
- Dopo il completamento del lavoro, spegnere la macchina e posarla solo quando essa si è arrestata completamente.

5. MANUTENZIONE



Prima di eseguire qualsiasi operazione di pulizia e intervento di manutenzione spegnere sempre l'elettro utensile e rimuovere la batteria dall'elettro utensile.

Pulire regolarmente il corpo dell'elettro utensile con un panno morbido, preferibilmente dopo ogni uso. Assicurarsi che le prese d'aria siano libere da polvere e sporcizia. Rimuovere lo sporco particolarmente ostinato con un panno morbido inumidito con acqua e sapone. Non utilizzare solventi come benzina, alcol, ammoniaca, ecc. Le sostanze chimiche di questo tipo danneggiano i componenti sintetici.

RISPETTO AMBIENTALE



Le apparecchiature elettriche o elettroniche difettose e/o scartate devono essere raccolte presso gli opportuni siti di riciclaggio.

Solo per i Paesi CE

Non smaltire gli elettro utensili insieme ai rifiuti domestici. Secondo la Direttiva europea 2012/19/EU sui rifiuti delle apparecchiature elettriche ed elettroniche e relativa implementazione nelle normative locali, gli elettro utensili ormai inutilizzabili devono essere raccolti separatamente e smaltiti in modo ecologico. Il prodotto e il manuale per l'utente sono soggetti a modifiche. I dati tecnici possono essere modificati senza ulteriore notifica.

DEFINIZIONI DELLA GARANZIA

I prodotti VONROC sono sviluppati secondo i più elevati standard di qualità e viene garantita l'assenza di difetti nei materiali e nella manodopera per il periodo contrattuale a partire dalla data di acquisto originale. Qualora il prodotto dovesse subire un guasto qualsiasi durante questo periodo a causa di difetti nei materiali e/o nella manodopera, si prega di contattare direttamente il VONROC.

Le seguenti circostanze sono escluse da questa garanzia:

- Riparazioni e/o modifiche alla macchina sono state eseguite o tentate da centri di assistenza non autorizzati.
- Normale usura.
- L'utensile è stato abusato, utilizzato o manuttenuto in modo improprio.
- Sono state utilizzate parti di ricambio non originali

Ciò costituisce l'unica garanzia espressa o implicita fornita dall'azienda. Non esistono altre garanzie espresse o implicite che si estendono oltre il presente documento, ivi comprese le garanzie implicite di commerciabilità e idoneità per uno scopo particolare. In nessun caso VONROC sarà responsabile di eventuali danni incidentali o consequenziali. I rimedi dei rivenditori saranno limitati alla riparazione o sostituzione di unità o parti non conformi.

Il prodotto e il manuale per l'utente sono soggetti a modifiche. I dati tecnici possono essere modificati senza ulteriore notifica.

1. INSTRUKCJE DOTYCZĄCE

Przeczytać dołączone ostrzeżenia dotyczące bezpieczeństwa, dodatkowe ostrzeżenia dotyczące bezpieczeństwa oraz instrukcje. Nieprzestrzeganie ostrzeżeń dotyczących bezpieczeństwa oraz instrukcji może prowadzić do porażenia prądem, pożaru i/lub poważnych obrażeń ciała. Zachować ostrzeżenia dotyczące bezpieczeństwa oraz instrukcje na przyszłość.

Następujące symbole są umieszczone w instrukcji obsługi lub na produkcie:



Przeczytać instrukcje obsługi.



Oznacza ryzyko obrażeń ciała, śmierci lub uszkodzenia narzędzia w razie nieprzestrzegania poleceń z instrukcji.



Osoby postronne, zwłaszcza dzieci, oraz zwierzęta powinny się znajdować w odległości większej niż 10 metrów od maszyny.



Korzystać ze środków ochrony wzroku.



Korzystać ze środków ochrony słuchu.



Noś maskę przeciwpyłową.



Obszar niebezpieczny! Trzymać dłonie z dala (10 cm) od obszaru cięcia podczas pracy maszyny. Ryzyko obrażeń ciała w wyniku zetknięcia się z tarczą.



Nie wolno obsługiwać kosiarki bez założonego pojemnika na trawę lub osłony.

OGÓLNE ZALECENIA DOTYCZĄCE BEZPIECZEŃSTWA



UWAGA! Przeczytać wszystkie ostrzeżenia dotyczące bezpieczeństwa i wszystkie instrukcje. Nieprzestrzeganie wszystkich poniższych instrukcji może być przyczyną porażenia prądem, pożaru i/lub poważnych obrażeń.

Zachowaj poniższe instrukcje.

Termin „elektronarzędzia akumulatorowe” we wszystkich ostrzeżeniach zamieszczonych poniżej odnosi się do elektronarzędzi akumulatorowych zasilanych sieciowo (przewodowych) lub elektronarzędzi akumulatorowych działających na baterie (beprzewodowych).

1) Obszar roboczy

- Obszar roboczy należy utrzymywać w czystości.** Powinien on być dobrze oświetlony. Nieład i złe oświetlenie mogą z łatwością doprowadzić do wypadku.
- Nie korzystaj z elektronarzędzi akumulatorowych w warunkach, w których łatwo może dojść do wybuchu, np. w obecności łatwopalnych cieczy, gazów lub pyłu.** Podczas pracy elektronarzędzi akumulatorowych powstają iskry, które mogą doprowadzić do zapłonu pyłu lub oparów.
- Dzieci i inne osoby postronne powinny pozostać w bezpiecznej odległości od pracującego urządzenia.** Rozproszenie uwagi może spowodować utratę kontroli nad urządzeniem.

2) Bezpieczeństwo związane z elektrycznością

- Wtyczki elektronarzędzi akumulatorowych muszą być odpowiednio do danego gniazda. Pod żadnym pozorem nie należy modyfikować wtyczki w jakikolwiek sposób. Nie należy używać adapterów, które uziemiają elektronarzędzia akumulatorowe.** Stosowanie wtyczek niepoddanych modyfikacjom oraz odpowiednich gniazd zmniejsza ryzyko porażenia prądem.
- Należy unikać bezpośredniego kontaktu fizycznego z powierzchniami uziemionymi, takimi jak rury, grzejniki, kuchenki, lodówki.** Ryzyko porażenia prądem jest większe, jeśli ciało osoby obsługującej urządzenie jest uziemione.
- Nie należy wystawiać elektronarzędzi akumulatorowych na działanie deszczu lub wilgoci.** Dostanie się wody do wnętrza elektronarzędzia akumulatorowego zwiększy ryzyko porażenia prądem.
- Nie należy używać przewodu w niewłaściwy sposób. Pod żadnym pozorem nie należy wykorzystywać przewodu do przenoszenia lub ciągnięcia elektronarzędzia akumulatorowego, ani do jego odłączania od sieci. Przewodu nie należy wystawiać na działanie ciepła, smarów. Powinien on znajdować się w bezpiecznej**

- odległości od ostrych krawędzi i części ruchomych. Przewody uszkodzone lub poplątane zwiększają ryzyko porażenia prądem.
- e) **Podczas korzystania z elektronarzędzia akumulatorowego na wolnym powietrzu, należy używać przewodu przedłużacza przystosowanego do użytku na zewnątrz.** Używanie przewodu nadającego się do użytku na wolnym powietrzu zmniejsza ryzyko porażenia prądem.
- f) **Jeśli obsługa elektronarzędzia w wilgotnym miejscu jest nieunikniona, użyć zasilania wyposażonego w wyłącznik różnicowo-prądowy.** Użycie wyłącznika różnicowo-prądowego zmniejsza ryzyko porażenia prądem.
- 3) Bezpieczeństwo osoby obsługującej urządzenie**
- a) **Przez cały czas należy mieć się na baczności, uważać na to, co się robi, a w czasie obsługi elektronarzędzia akumulatorowego postępować mając na uwadze zdrowy rozsądek. Urządzenia nie powinny obsługiwać osoby zmęczone lub będące pod wpływem narkotyków, alkoholu lub leków.** Chwila nieuwagi w czasie obsługi elektronarzędzi akumulatorowych może być przyczyną powstania poważnych obrażeń ciała.
- b) **Należy korzystać ze sprzętu ochronnego oraz zawsze nosić okulary ochronne.** Sprzęt ochronny, jak na przykład maska przeciwpyłowa, antypoślizgowe obuwie ochronne, kask lub słuchawki ochronne używany we właściwych sytuacjach pozwoli na zmniejszenie ryzyka obrażeń ciała.
- c) **Unikać niezamierzonego uruchomienia. Przed podłączeniem urządzenia do sieci, zawsze sprawdzić, czy przełącznik znajduje się w pozycji „wyłączony”.** Przenoszenie elektronarzędzi z palcem na przełączniku lub włączonych elektronarzędzi z przełącznikiem w położeniu włączenia jest bardzo niebezpieczne i może powodować wypadki.
- d) **Przed włączeniem elektronarzędzia akumulatorowego należy usunąć z niego wszystkie klucze nastawcze lub maszynowe.** Pozostawienie klucza zamocowanego na jednej z części obrotowych urządzenia może spowodować powstanie obrażeń ciała.
- e) **Nie należy sięgać ponad urządzeniem. Przez cały czas należy zachować odpowiednią równowagę i zapewnić odpowiednie oparcie dla stóp.** Pozwoli to na lepsze kontrolowanie urządzenia w nieoczekiwanych sytuacjach.
- f) **Należy nosić odpowiednie ubranie. Do pracy z urządzeniem nie wkładać luźnych ubrań ani biżuterii. Włosy, ubranie i rękawiczki trzymać z dala od części ruchomych.** Luźne części ubrania, biżuteria lub długie włosy mogą zostać wciągnięte przez części ruchome.
- g) **Jeśli w urządzeniu przewidziano elementy służące do odprowadzania i zbierania pyłu, należy sprawdzić, czy są podłączone, i czy działają we właściwy sposób.** Korzystanie z tego typu elementów pozwala ograniczyć ryzyko związane z wydzielaniem pyłu podczas pracy urządzenia.
- h) **Nie zezwalać na to, aby rutyna związana z częstym korzystaniem z narzędzi powodowała nadmierną pewność siebie i ignorowanie zasad bezpiecznego korzystania z narzędzi.** Nieodpowiedzialne działanie może spowodować poważne obrażenia ciała w ułamku sekundy.
- 4) Obsługa i konserwacja elektronarzędzi akumulatorowych**
- a) **Urządzenia nie należy przeciążać. Należy korzystać z narzędzia odpowiedniego do danego typu pracy.** Odpowiednio dobrane urządzenie pozwoli na lepsze i bezpieczniejsze wykonanie pracy, we właściwym dla urządzenia tempie.
- b) **Z elektronarzędzia akumulatorowego nie należy korzystać, jeśli nie można go włączyć i wyłączyć przy pomocy przełącznika.** Urządzenie, którego nie można kontrolować używając przełącznika jest niebezpieczne i powinno być oddane do naprawy.
- c) **Przed przystąpieniem do regulowania elektronarzędzi akumulatorowych, wymiany akcesoriów lub przygotowywania urządzeń do okresu przechowywania, należy odłączyć wtyczkę od źródła zasilania.** Tego typu środki ostrożności zmniejszają ryzyko przypadkowego uruchomienia urządzenia.
- d) **Nieczynne elektronarzędzia akumulatorowe należy przechowywać poza zasięgiem dzieci. Nie należy pozwolić, aby osoby nie znające urządzenia lub niniejszych instrukcji obsługiwały urządzenie.** Elektronarzędzia akumulatorowe w rękach niekompetentnych użytkowników stanowią zagrożenie.
- e) **Elektronarzędzia akumulatorowe należy utrzymywać w dobrym stanie technicznym. Należy sprawdzać, czy części ruchome są właściwie założone, i czy się nie zacinają. Należy również sprawdzać, czy jakieś części nie są uszkodzone**

- oraz sprawdzać wszelkie inne elementy, które mogą wpłynąć na pracę urządzeń. Jeśli urządzenie jest uszkodzone, przed przystąpieniem do jego użytkowania, należy je naprawić. Częstoą przyczyną wypadków jest zły stan techniczny urządzeń.
- f) **Narzędzia służące do cięcia powinny być naostrzone i utrzymywane w czystości.** Jeśli narzędzia służące do cięcia, które posiadają ostre krawędzie tnące, są właściwie konserwowane, istnieje mniejsze prawdopodobieństwo ich zacinania się. Ponadto, łatwiej je kontrolować.
- g) **Elektronarzędzia akumulatorowego, akcesoriów, nakładek, itp. należy używać zgodnie z niniejszymi instrukcjami oraz w sposób właściwy dla danego rodzaju urządzenia, z uwzględnieniem warunków pracy oraz jej rodzaju.** Używanie urządzenia niezgodnie z przeznaczeniem może prowadzić do powstania sytuacji niebezpiecznych.
- h) **Uchwyty należy utrzymywać w stanie suchym, czystym i niezabrudzonym olejem lub smarem.** Śliskie uchwyty i powierzchnie do chwytania nie pozwalają na bezpieczne obchodzenie się z narzędziem i panowanie nad nim w nieoczekiwanych sytuacjach.
- 5) Użytkowanie i konserwacja urządzenia zasilanego akumulatorkami**
- a) **Ładować tylko przy użyciu ładowarki określonej przez producenta.** Ładowarka przewidziana dla jednego rodzaju akumulatorów stwarza ryzyko pożaru w przypadku użycia jej z innym zestawem akumulatorów.
- b) **Należy używać jedynie akumulatorów przeznaczonych dla danego urządzenia.** Użycie innych akumulatorów stwarza ryzyko wystąpienia obrażeń ciała lub pożaru.
- c) **Kiedy akumulatorki nie są używane, należy przechowywać je z dala od przedmiotów metalowych, takich jak spinacze do papieru, monety, klucze, gwoździe, śruby lub inne niewielkie przedmioty metalowe, które mogłyby spowodować zwarcie pomiędzy stykami.** Zwarcie styków akumulatorka może spowodować pożar.
- d) **W przypadku przecięcia z akumulatorka może wycieknąć płyn; nie należy go dotykać. W razie przypadkowego kontaktu przemyć skórę wodą. W przypadku dostania się płynu do oczu należy skontaktować się z lekarzem.** Płyn z akumulatorka może powodować podrażnienia lub oparzenia.
- e) **Nie używać uszkodzonego ani zmodyfikowanego akumulatora lub narzędzia.** Uszkodzone lub zmodyfikowane akumulatory mogą działać w sposób nieoczekiwany, co może powodować pożar, wybuch lub ryzyko obrażeń ciała.
- f) **Nie wystawiać akumulatora ani narzędzia na działanie płomienia lub zbyt wysokiej temperatury.** Narażenie na działanie płomienia lub temperatury powyżej 130°C może spowodować wybuch.
UWAGA Temperaturę „130 °C“ można zastąpić temperaturą „265 °F“.
- g) **Przestrzegać wszystkich instrukcji ładowania i nie ładować akumulatora ani narzędzia poza zakresem temperatury podanym w instrukcji.** Nieprawidłowe ładowanie lub ładowanie w temperaturze poza podanym zakresem może spowodować uszkodzenie akumulatora i zwiększyć ryzyko pożaru.
- 6) Serwis**
- a) **Zlecać serwisowanie elektronarzędzie wykwalifikowanemu technikowi stosującymi jedynie części zamienne identyczne z oryginalnymi.** Zapewni to zachowanie bezpieczeństwa elektronarzędzia.
- b) **Nigdy nie serwisować uszkodzonych akumulatorów.** Serwisowanie akumulatorów może przeprowadzać wyłącznie producent lub autoryzowany serwis.

OSTRZEŻENIA DOTYCZĄCE BEZPIECZEŃSTWA UŻYTKOWANIA PIŁ SZABLASTYCH

- Trzymać elektronarzędzie tylko za izolowane powierzchnie do chwytania podczas wykonywania prac, podczas których akcesorium tnące może zetknąć się z ukrytym okablowaniem. Zetknięcie się osprzętu tnącego z przewodem pod napięciem może sprawić, że odstąpione metalowe części narzędzia również będą pod napięciem i spowodować porażenie operatora prądem.
- Trzymać dłonie z dala od zakresu pracy brzeszczota. Nie sięgać pod obrabiany element. Kontakt z brzeszczotem może prowadzić do obrażeń ciała.
- Przykładać maszynę do obrabianego elementu tylko wtedy, gdy jest włączona. W przeciwnym razie istnieje ryzyko odrzucenia maszyny po utknięciu brzeszczota w obrabianym elemencie.
- Podczas piłowania płyta podstawy musi być zawsze przyłożona do obrabianego elementu.

Brzeszczot może się zaklinować i spowodować utratę panowania nad maszyną.

- Po zakończeniu piłowania wyłączyć maszynę, a następnie wyjąć brzeszczot z cięcia, dopiero gdy się zatrzyma. W ten sposób można uniknąć odrzutu i bezpiecznie odłożyć maszynę.
- Używać wyłącznie nieuszkodzone brzeszczoty w idealnym stanie. Zgięte lub stępione brzeszczoty mogą pękać, negatywnie wpływać na jakość cięcia lub prowadzić do odrzutu.
- Nie hamować brzeszczota do zatrzymania poprzez naciskanie na brzeszczot z boku po wyłączeniu. Brzeszczot może ulec uszkodzeniu, pęknąć lub spowodować odrzut.
- Dobrze zaciskać materiał. Nie podierać obrabianego elementu dłonią lub stopą. Nie dotykać przedmiotów ani podłogi uruchomioną piłą. Ryzyko odrzutu.
- Użyć odpowiednich detektorów do sprawdzenia, czy w miejscu pracy nie znajdują się ukryte kable elektryczne/rury wodne/gazowe lub skontaktować się z lokalnym dostawcą energii/wody/gazu w celu uzyskania pomocy. Kontakt z kablem elektrycznym może prowadzić do pożaru i porażenia prądem. Uszkodzenie rury z gazem może prowadzić do wybuchu. Przebicie rury z wodą spowoduje uszkodzenie mienia.
- Podczas pracy maszyną zawsze mocno trzymać ją obiema rękami i stać w stabilnej pozycji. Tym elektronarzędziem pracuje się i kieruje bezpiecznie przy użyciu obu rąk.
- Zamocować obrabiany element. Obrabiany element zaciśnięty zaciskami lub w imadle jest zamocowany mocniej niż trzymany ręką.
- Przed odłożeniem maszyny zawsze poczekać na jej całkowite zatrzymanie. Końcówka narzędziowa może utknąć i doprowadzić do utraty panowania nad elektronarzędziem.

2. INFORMACJE O MASZYNIE

Przeznaczenie

Ta maszyna służy do piłowania drewna, tworzyw sztucznych i metalu po mocnym przyłożeniu płyty podstawy do obrabianego elementu. Nadaje się do wykonywania cięć prostych i zakrzywionych. Można również wykonywać cięcia na płasko z powierzchnią obrabianego elementu. Należy zawsze używać właściwego brzeszczota.

DANE TECHNICZNE

Model No.	RS502AC
Napięcie	220-240V
Częstotliwość	50/60Hz
Moc	900W
Obroty bez obciążenia	0-2600/min
Maks. grubość piłowania drewna	115 mm
Maks. grubość piłowania stali	5mm
Ciężar	2.74 kg
Poziom ciśnienia akustycznego L_{PA}	82.2 dB(A), K=3dB(A)
Poziom mocy akustycznej L_{WA}	93.2 dB(A), K=3dB(A)
Antywibracyjny uchwyt tylny	16.844 m/s ² K=1.5 m/s ²
Antywibracyjny uchwyt przedni	18.067 m/s ² K=1.5 m/s ²

Poziom drgań

Poziom emisji drgań podany w niniejszej instrukcji został zmierzony zgodnie ze zharmonizowanym testem podanym w normie EN60745 i może być stosowany do porównywania narzędzi ze sobą oraz w celu wstępnego oszacowania narażenia na drgania podczas stosowania narzędzia zgodnie z podanym przeznaczeniem

- Używanie narzędzia do innych zastosowań lub z innymi albo źle konserwowanymi akcesoriami może znacząco zwiększać poziom ekspozycji.
- Okresy, kiedy narzędzie jest wyłączone, lub gdy jest włączone, ale nie jest używane, mogą znacząco ograniczać poziom ekspozycji.

Chroń się przed wpływem drgań, konserwując odpowiednio narzędzie i akcesoria, utrzymując ciepłotę dłoni oraz odpowiednio organizując pracę.

OPIS

Liczby w tekście odnoszą się do rysunków na stronach 2-3.

1. Uchwyt
2. Przycisk uruchamiania blokady
3. Właznik
4. Przycisk odblokowania uchwytu
5. Uchwyt pomocniczy
6. Płyta podstawy
7. Tarcza
8. Uchwyt

9. Dźwignia zaciskająca
10. Śruby płyty podstawy

3. MONTAŻ



Przed rozpoczęciem wykonywania jakichkolwiek prac dotyczących maszyny, odłączyć wtyczkę zasilania od gniazda zasilania.

Wymiana brzeszczota (rys. A, C)



Podczas wymiany brzeszczota nosić rękawice ochronne. Ryzyko obrażeń ciała w wyniku dotknięcia brzeszczota.



Używać wyłącznie brzeszczotów zgodnych z danymi technicznymi podanymi w instrukcji.

Montaż brzeszczota



Dopilnować, aby uchwyt brzeszczota był wolny od resztek materiału (np. drewnianych lub metalowych wiórów)

1. Obrócić dźwignię zaciskającą (9) do oporu w lewo i zatrzymać ją w tym położeniu.
2. Włożyć brzeszczot w uchwyt (8). Sprawdzić, czy brzeszczot jest mocno zamocowany i jego zęby są skierowane w dół.
3. Puścić dźwignię zaciskającą. Sprawdzić, czy brzeszczot jest zablokowany.

Dopilnować stosowania brzeszczota dopasowanego do obrabianego materiału. Do maszyny dołączony jest brzeszczot do drewna z dużymi zębami i brzeszczot do metalu i tworzyw sztucznych z małymi zębami.

Demontaż brzeszczota

1. Obrócić dźwignię zaciskającą (9) do oporu w lewo i zatrzymać ją w tym położeniu.
2. Wyjąć brzeszczot z uchwytu (8).
3. Puścić dźwignię zaciskającą.

4. OBSŁUGA

Włączanie i wyłączenie (Fig. A)

- Aby włączyć narzędzie, wcisnąć włącznik (3).
- Aby włączyć maszynę w trybie pracy ciągłej, trzymać włącznik (3) wcisnięty i jednocześnie wcisnąć przycisk blokady (2).

- Aby wyłączyć ciągły tryb pracy maszyny, nacisnąć włącznik (3) ponownie.
- Aby włączyć narzędzie, zwolnić włącznik (3).

Regulacja płyty podstawy (rys. B)

Z uwagi na możliwość ruchu, kąt nachylenia płyty podstawy (6) dostosowuje się do obrabianego elementu. Poza tym długość płyty podstawy można dostosować w zależności od wymaganej głębokości piłowania.

1. Poluzować śruby płyty kluczem imbusowym (10) dołączonym do zestawu.
2. Wyregulować płytę podstawy (6).
3. Dokręcić śruby płyty podstawy kluczem imbusowym (10) dołączonym do zestawu.

Piłowanie wgłębne (rys. D)

Piłowanie wgłębne można stosować wyłącznie do materiałów miękkich, jak drewno, gazobeton, płyta gipsowo-kartonowa itp. Wymaga to jednak pewnej wprawy i jest możliwe wyłącznie w połączeniu z krótkimi brzeszczotami.

1. Umieścić piłę na obrabianym przedmiocie i włączyć ją.
2. Dopilnować, aby dolna krawędź płyty podstawy spoczywała na powierzchni obrabianego elementu zgodnie z rysunkiem.
3. Powoli wcinać się piłą w obrabiany element pod kątem, przesuwając piłę do położenia pionowego, a następnie piłować dalej wzdłuż linii cięcia.
4. Wyłączyć piłę i unieść ją z obrabianego elementu po zakończeniu pracy.

Cięcie na płasko z powierzchnią (rys. E)

Elastyczne bimetalowe brzeszczoty pozwalają na piłowanie przedmiotów wystających (np. Rur wodociągowych, żelaznych prętów itp.) ze ściany w pobliżu jej powierzchni.

1. Przyłożyć brzeszczot bezpośrednio do ściany i lekko zgiąć brzeszczot, aby płyta podstawy opierała się o ścianę. Uważać, aby brzeszczot zawsze wystawał poza średnicę obrabianego materiału.
2. Włączyć maszynę i odciąć obrabiany element, wywierając stale nacisk poprzeczny na ścianę.

Regulacja uchwytu głównego (rys. A, F)

Przed rozpoczęciem pracy można wyregulować uchwyt główny (1), ustawiając go w położeniu najwygodniejszym do wykonywania zadania. Uchwyt można ustawić w jednej z 5 pozycji w zak-

resie obrotów 180° wzdłuż wzdłużnej osi korpusu narzędzia (90° w lewo lub w prawo od położenia wyjściowego).

1. Przesztać przycisk odblokowania uchwytu (4) wstecz.
2. Obrócić główny uchwyt w żądane położenie wzdłuż osi wzdłużnej narzędzia (rys. F).
3. Uchwyt główny automatycznie zablokuje się w żądanym położeniu.

Optymalne stosowanie

- Dostosować brzeszczot i prędkość pracy piły do obrabianego materiału. Do wycinania krzywych pod kątem prostym najlepiej używać wąskich brzeszczotów. Zastosować środek chłodzący lub smary, aby poradzić sobie z drżeniem wzdłuż linii cięcia podczas piłowania metalu.
- Sprawdzić drewno, płyty wiórowe, materiały budowlane itp. pod kątem twardych materiałów (gwoździ, wkrętów itp.) przed piłowaniem i usunąć je w razie potrzeby.
- Dobrze zacisnąć materiał. Nie podierać obrabianego elementu dłonią lub stopą. Nie dotykać przedmiotów ani podłogi uruchomioną piłą (ryzyko odrzutu).
- Przyłożyć płytę podstawy do powierzchni obrabianego przedmiotu i piłować, utrzymując stały nacisk płyty na przedmiot i stałą prędkość posuwu. Jeśli brzeszczot utknie, natychmiast wyłączyć maszynę. Rozszerzyć szczelinę cięcia właściwym narzędziem I wyciągnąć brzeszczot.
- Po skończeniu pracy wyłączyć maszynę i odłożyć ją dopiero po jej całkowitym zatrzymaniu.

5. KONSERWACJA



Przed rozpoczęciem czyszczenia i konserwacji zawsze wyłączać maszynę i wyjąć z niej akumulator.

Czyścić obudowę maszyny regularnie miękką ściereczką, najlepiej po każdym użyciu. Dopilnować, aby otwory wentylacyjne były wolne od pyłu, kurzu i zabrudzeń. Usuwać oporne zabrudzenia miękką ściereczką zwilżoną mydlinami. Nie używać żadnych rozpuszczalników, takich jak benzyna, alkohol, amoniak itp. Takie substancje chemiczne spowodują uszkodzenie części z tworzyw sztucznych.

ŚRODOWISKO



Uszkodzone i/lub niepotrzebne urządzenia elektryczne lub elektroniczne podlegają zbiórce w odpowiednich punktach recyklingu.

Tylko kraje WE

Nie wyrzucać elektronarzędzi wraz z odpadami z gospodarstw domowych. Zgodnie z dyrektywą 2012/19/WE dotyczącą zużytych urządzeń elektrycznych i elektronicznych oraz jej wdrożeniem do prawodawstwa krajowego, elektronarzędzia, które już nie nadają się do użytku, podlegają oddzielnej zbiórce oraz utylizacji w sposób przyjazny dla środowiska.

GWARANCJA

Produkty VONROC są wytwarzane zgodnie z najwyższymi standardami jakości i producent udziela gwarancji na wady materiałowe i wady wykonania na okres wymagany prawem, licząc od dnia zakupu. Jeśli wystąpi usterka produktu w tym okresie spowodowana wadą materiałową i/lub wadą wykonania, proszę bezpośrednio skontaktować się ze sprzedawcą VONROC.

Następujące okoliczności powodują unieważnienie gwarancji:

- Przeprowadzono naprawy lub modyfikacje narzędzia w serwisie innym lub autoryzowany lub podjęto ich próbę;
- Normalne zużycie nie jest objęte gwarancją;
- Narzędzie było używane niezgodnie z przeznaczeniem, źle z nim się obchodzono lub było nieprawidłowo konserwowane;
- Użyto części zamiennych innych niż oryginalne.

Niniejsza gwarancja to wyłączna gwarancja producenta i nie obowiązują żadne inne wyrażone ani dorozumiane gwarancje. Nie obowiązują żadne inne wyrażone ani dorozumiane gwarancje o zakresie przekraczającym niniejszą gwarancję, co obejmuje dorozumiane gwarancje przydatności do sprzedaży i przydatności do określonego celu. W żadnym przypadku firma VONROC nie ponosi odpowiedzialności za straty przypadkowe lub wynikowe. Zadośćuczynienie sprzedawcy jest ograniczone do naprawy lub wymiany niezgodnych urządzeń lub części.

**Produkt i instrukcja obsługi podlegają zmianom.
Dane techniczne podlegają zmianom bez uprzedzenia.**

1. GÜVENLİK TALİMATLARI

Ekteki güvenlik uyarılarını, ilave güvenlik uyarılarını ve talimatları okuyun. Güvenlik uyarılarını ve talimatları izlememek elektrik çarpması, yangın ve/veya ciddi yaralanma ile sonuçlanabilir. Güvenlik uyarılarını ve talimatları ilerde bakmak üzere muhafaza edin.

Aşağıdaki semboller kullanıcı kılavuzunda veya ürün üzerinde kullanılmaktadır:



Kullanıcı kılavuzunu okuyun.



Bu kılavuzdaki talimatlara uymama durumunda bedensel yaralanma, can kaybı veya alete hasat riskini belirtir.



Başta çocuklar ve evcil hayvanlar olmak üzere etrafta bulunanları yaklaşık 10 m'den daha uzak mesafede tutun



Göz koruması takın.



Duyuma koruması takın



Bir toz maskesi takın.



Tehlike Bölgesi! Makine çalışırken elinizi kesme alanından uzak tutun (10 cm). Testere bıçağına temas ettiğinizde yaralanma tehlikesi mevcuttur.



Ürün, Avrupa yönergelerindeki geçerli güvenlik standartlarına uygundur.

GENEL ELEKTRİKLİ ALET GÜVENLİK UYARILARI



UYARI Tüm güvenlik uyarılarını ve tüm talimatları okuyun. Uyarılara uyulmadı ve talimatlar elektrik çarpmasına, yangına ve/veya ciddi yaralanmalara neden olabilir.

Tüm uyarıları ve talimatları gelecekte başvurmak üzere saklayın.

Uyarılardaki "elektrikli alet" terimi, şebeke elektriği ile çalışan (kablolu) elektrikli alet veya pil ile çalışan (kablosuz) elektrikli alet anlamına gelir.

- 1) **İş aşanı güvenliği**
 - a) **İş alanını temiz ve aydınlık tutun.** Dağınık veya karanlık bölgeler, kazalara davetiye çıkarır.
 - b) **Elektrikli aletleri, yanıcı sıvıların, gazların veya tozun var olduğu patlayıcı atmosferlerde kullanmayın.** Elektrikli aletler, tozu veya dumanları ateşleyebilecek kıvılcımlar oluşturur.
 - c) **Bir elektrikli aleti kullanırken, çocukları ve çevredekileri uzak tutun.** Dikkatiniz dağılırsa kontrolü kaybedebilirsiniz.
 - 2) **Elektrik güvenliği**
 - a) **Elektrikli alet fişleri, prize uygun olmalıdır. Fişi, hiçbir şekilde modifiye etmeyin. Topraklı elektrikli aletlerle, herhangi bir fiş adaptörü kullanmayın.** Modifiye edilmemiş fişler ve buna uygun prizler, elektrik çarpması riskini azaltır.
 - b) **Borular, radyatörler, ocaklar ve buzdolapları gibi topraklı yüzeylerle temastan kaçınin.** Eğer vücudunuz topraklanmışsa, elektrik çarpması riski daha fazla olur.
 - c) **Elektrikli aletleri yağmura veya ıslaklığa maruz bırakmayın.** Bir elektrikli alete su girmesi durumunda, elektrik çarpması riski artacaktır.
 - d) **Kabloya kötü davranmayın. Kabloyu taşıma amacıyla, elektrikli aleti ya da elektrikli aletin fişini çekmek için kullanmayın. Kabloyu ısıdan, yağdan, keskin kenarlardan ya da hareketli parçalardan uzak tutun.** Hasar görmüş ya da dolanmış kablolar, elektrik çarpması riskini artırır.
 - e) **Bir elektrikli aleti dış mekanlarda kullanırken, dış mekan kullanımına uygun bir uzatma kablosu kullanın.** Dış mekan kullanımına uygun ir kablo kullanıldığında, elektrik çarpması riski azalır.
 - f) **Elektrikli aleti nemli bir konumda çalıştırmak kaçınılmazsa, kaçak akım cihazı (RCD) korumalı bir kaynak kullanın.** RCD kullanımı elektrik çarpması riskini azaltır.
 - 3) **Kişisel güvenlik**
 - a) **Elektrikli aleti kullanırken tetikte kalın, ne yaptığınıza dikkat edin ve sağlıklı davranın. Bir elektrikli aleti yorgun olduğunuzda ya da uyuşturucu, alkol veya ilaç etkisindeyken kullanmayın.** Elektrikli aleti kullanırken bir anlık dikkatsizlik ciddi kişisel yaralanmalara neden olabilir.
 - b) **Kişisel koruyucu donanım kullanın. Her zaman göz koruması takın.** Uygun durumlar için kullanılan toz maskesi, kaymaz güvenlik ayakkabıları, baret veya kulak tıkacı gibi koruyucu donanımlar, kişisel yaralanma riskini azaltacaktır.
 - c) **Kasıtsız çalışmayı önleyin. Bir elektrik kaynağını ve/veya pil takımını bağlamadan, aleti kaldırmadan ya da taşımadan önce elektrikli aletin anahtarının kapalı durumda olduğundan emin olun.** Elektrikli aletleri parmağınız anahtar üzerindeki taşımacı veya anahtarı açık elektrikli aletleri harekete geçirmek kazalara davetiye çıkarır.
 - d) **Elektrikli aleti açık duruma getirmeden önce her türlü ayar anahtarını çıkarın.** Elektrikli aletin dönen bir parçasında kalan bir anahtar, kişisel yaralanmalara neden olabilir.
 - e) **Fazla uzanmayın. Ayaklarınızı sağlam basın ve her zaman dengeli olun.** Böylece beklenmeyen durumlarda elektrikli aleti daha iyi kontrol edebilirsiniz.
 - f) **Uygun kıyafetler giyin. Bol kıyafetler giymeyin, takılar takmayın. Saçınızı, kıyafetlerinizi ve eldivenlerinizi, hareketli parçalardan uzak tutun.** Bol kıyafetler, takılar veya uzun saç, hareketli parçalara takılabilir.
 - g) **Eğer cihazlar toz giderme ve toplama tesislerinin bağlantısı için sağlanmışsa, bunların bağlandığından ve düzgün bir şekilde kullanıldığından emin olun.** Toz toplama ile tozla ilgili tehlikeleri azaltılabilir.
 - h) **Aletlerin sık kullanılmasından edindiğiniz bilgi birikiminin sizi aşırı rehavete sürüklemesine izin vermeyin ve araç güvenliği ilkelerini göz ardı etmeyin.** Dikkatsiz bir hareket, bir saniyeden bile kısa sürede ciddi yaralanmalara neden olabilir.
- 4) **Elektrikli alet kullanımı ve bakımı**
 - a) **Elektrikli aleti zorlamayın. Uygulamanız için doğru elektrikli aleti kullanın.** Doğru elektrikli alet, tasarım amacına uygun olarak işi daha iyi yapacaktır.
 - b) **Eğer anahtarlar açılıp kapatılmıyorsa, elektrikli aleti kullanmayın.** Anahtarla kumanda edilemeyen elektrikli aletler tehlikelidir ve tamir edilmelidir.
 - c) **Herhangi bir ayar, aksesuar değişimi ya da depolama işleminden önce elektrikli aletin fişini elektrik kaynağından çıkarın ve/veya pil takımını elektrikli aletten çıkarın.** Bu tür önleyici güvenlik önlemleri, elektrikli aletin kazara çalışma riskini azaltır.
 - d) **Boş durumdaki elektrikli aletleri çocukların erişemeyeceği bir yerde muhafaza edin ve elektrikli aletin nasıl çalıştığını ya da bu talimatları bilmeyen kişilerin elektrikli aleti kullanmasında izin vermeyin.** Elektrikli aletler, eğitimsiz kullanıcıların elinde tehlikeli olur.

- e) **Elektrikli aletlerin bakımını yapın. Hatalı ayarlar veya hareketli parçaların bağlanması, parça kırılmaları ve elektrikli aletin çalışmasını etkileyebilecek diğer durumlar için kontrol gerçekleştirin. Eğer herhangi bir hasar varsa, elektrikli alet kullanılmadan önce tamir edilmelidir.** Çoğu kazaya bakımı iyi yapılmayan elektrikli aletler neden olur.
- f) **Kesme aletlerini keskin ve temiz tutun.** Bakımı iyi yapılan ve keskin kenarlara sahip kesme aletlerinde donmalar daha az yaşanır ve kontrol edilmeleri daha kolay olur.
- g) **Elektrikli aleti, aksesuarlarını ve torna kalemlerini bu talimatlara uygun olarak kullanın, çalışma koşullarını ve gerçekleştirecek olan işi dikkate alın.** Elektrikli aletin kullanım amacı dışında kullanılması, tehlikeli durumlara sonuçlanabilir.
- h) **Tutamakları ve tutma yerlerini kuru, temiz ve yağdan arındırılmış şekilde muhafaza edin.** Kaygan tutamaklar ve tutma yerleri, beklenmedik durumlarda aletin güvenli şekilde taşınmasına ve kontrol edilmesine izin vermez.
- 5) Pili alet kullanımı ve bakımı**
- a) **Yalnızca üretici tarafından belirtilen şarj aletiyle şarj edin.** Bir türde pil takımı için uygun bir şarj cihazı, başka bir pil takımı ile kullanıldığında yangın riski oluşturabilir.
- b) **Elektrikli aletleri yalnızca özel olarak belirlenmiş pil takımlarıyla kullanın.** Başka pil takımlarının kullanımı yaralanma ve yangın riski oluşturabilir.
- c) **Pil takımı kullanılmadığı zamanda, ataşlar, bozuk paralar, anahtarlar, çiviler, vidalar veya diğer küçük metal nesnelere gibi bir uçtan diğerine bir bağlantı yapabilecek diğer metal nesnelere uzak tutun.** Pil uçlarını birbirine kısa devre yaptırmak yanıklara veya yangına neden olabilir.
- d) **Bozulma durumlarında pilden sıvı çıkabilir; temastan kaçının. Kazara temas gerçekleşirse, suyla yıkayın. Sıvı gözlerle temas ederse ayrıca tıbbi yardım isteyin.** Pilden çıkan sıvı tahrişe veya yanıklara neden olabilir.
- e) **Hasarlı veya üzerinde değişiklik yapılmış bir batarya veya aleti kullanmayın.** Hasarlı veya üzerinde değişiklik yapılmış bataryalar, yangın, patlama ya da yaralanma riskiyle sonuçlanan beklenmedik davranışlar sergileyebilir.
- f) **Batarya veya aleti ateşe veya aşırı sıcaklığa maruz bırakmayın.** Ateşe veya 130 °C üzeri sıcaklıklara maruz kalması patlamaya yol açabilir.

NOT Sıcaklık birimi olarak kullanılan „130 °C“ yerine „265 °F“ kullanılabilir.

- g) **Tüm şarj talimatlarına uyun ve batarya veya aleti talimatlarda belirtilen sıcaklık aralığının dışındaki ortamlarda şarj etmeyin.** Yanlış şekilde veya belirtilen aralığın dışındaki sıcaklıklarda şarj etmek bataryaya zarar verebilir ve yangın riskini artırabilir.

6) Servis

- a) **Elektrikli aletinizin servis işlemlerini, yalnızca aynı yedek parçaları kullanan vasıflı bir tamircinin yapmasını sağlayın.** Bu, elektrikli aletin güvenliğinin korunmasını sağlayacaktır.
- b) **Hasarlı bataryalara asla kendiniz bakım yapmaya çalışmayın.** Bataryadaki bakım işlemleri sadece üretici veya yetkili servisler tarafından yapılmalıdır.

TİLKİ KUYRUĞU TESTERELER İÇİN GÜVENLİK UYARILARI

- **Bir işlem sırasında kesme aleti gizli kablolarla temas edebileceği için kesim aksesuarını yalıtımlı tutma yüzeylerinden tutun.** Kesici aletin, “elektrik akımı” bulunan kablolarla temas halinde “akım”, elektrikli aletin iletken metal parçaları üzerinden operatöre iletilerek elektrik çarpmasına yol açabilir.
- **Ellerinizi kesim alanından uzak tutun. Üzerinde çalıştığınız parçaya altından ulaşmayı denemeyin.** Testere bacağı ile temas yaralanmalara neden olabilir.
- **Makineyi ancak çalıştırdıktan sonra iş parçasına doğru ilerletin.** Aksi halde, kesici alet iş parçasında sıkıştığında geri tepme tehlikesi vardır.
- **Testereyle kesim yaparken, taban plakası her zaman iş parçasına bakmalıdır.** Testere bacağı sıkışabilir ve makede kontrol kaybına yol açabilir.
- **Kesim tamamlandığında, makineyi kapatın ve ardından testere bacağıni kesilen yerden ancak durduktan sonra çekin.** Bu şekilde geri tepmeyi önleyebilir ve makineyi güvenli bir şekilde yerleştirebilirsiniz.
- **Sadece hasar görmemiş, mükemmel durumda olan testere bıçaklarını kullanın.** Kıvrılmış veya korelmiş testere bıçakları kırılabilir, kesimi olumsuz etkileyebilir veya geri tepmeye neden olabilir.
- **Kapattıktan sonra yandan baskı uygulayarak testere bacağıni durdurmayın.** Testere bacağı zarar görebilir, kırılabilir veya geri tepmeye neden olabilir.

- **Malzemeyi kelepçeyle iyi tutturun.** İş parçasını elinizle veya ayağınızla desteklemeyin. Testere çalışırken başka nesnelere veya yere dokunmayın. Geri tepme tehlikesi.
- **Çalışma alanında gizli tesisat hattı olup olmadığını belirlemek için uygun detektörler kullanın veya yardım için yerel kamu hizmet şirketini arayın.** Elektrik hatları ile temas yangına ve elektrik carpmasına neden olabilir. Bir doğalgaz hattının hasar görmesi patlamaya neden olabilir. Su hattını delmek maddi hasara neden olur.
- **Makine ile çalışırken aleti daima iki elinizle sıkıca tutun ve sağlam bir duruş sağlayın.** Elektrikli alet iki elinizle daha güvenli yönlendirilir.
- **İş parçasını sabitleyin.** Kelepçeleme aletleriyle veya bir mengene ile sıkıştırılmış bir iş parçası, elle olduğundan daha güvenli tutulur.
- **Makineyi yere koymadan önce tamamen durmasını bekleyin.** Alet ek parçası sıkışabilir ve elektrikli alet üzerinde kontrol kaybına yol açabilir.

2. MAKİNE BİLGİSİ

Kullanım amacı

Makine, taban levhasını iş parçası üzerine sıkıca tutmak koşuluyla ahşap, plastik ve metal kesmek için tasarlanmıştır. Düz ve kıvrımlı kesimler için uygundur. İş parçası yüzeyiyle aynı hızda kesmek de mümkündür. Her zaman uygun bir testere bacağı kullanılmalıdır.

TEKNİK SPESİFİKASYONLAR

Model numarası	RS502AC
Voltaj	220-240V
Frekans	50/60Hz
Yüksüz hız	2600/min
Testere vuruşu	20mm
Maks. testere kapasitesi ahşap	115mm
Maks. testere kapasitesi çeli	5mm
Ağırlık	2.74 kg
Ses basıncı seviyesi LpA	82.2 dB(A), K=3dB(A)
Ses gücü seviyesi LwA	93.2 dB(A), K=3dB(A)
Titreşim arka tutamak	16.844 m/s ² K=1.5 m/s ²
Titreşim ön tutamak	18.067 m/s ² K=1.5 m/s ²

Vibrasyon seviyesi

Bu talimat kılavuzunda belirtilen vibrasyon emisyon seviyesi EN 60745'te verilen bir standart teste uygun olarak ölçülmüştür; bir aleti diğeriyle karşılaştırmak ve aleti bahsedilen uygulamaları için kullanırken vibrasyona maruz kalmanın ön değerlendirmesi olarak kullanılabilir.

- Aleti farklı uygulamalar veya farklı ya da kötü bakılan aksesuarlarla kullanmak, maruz kalma seviyesini büyük ölçüde artırabilir.
- Aletin kapalı olduğu veya çalışıp gerçekten iş yapmadığı zamanlar maruz kalma seviyesini büyük ölçüde düşürebilir.

Aletin ve aksesuarların bakımını yaparak, ellerinizi sıcak tutarak ve çalışma düzenlerinizi organize ederek vibrasyonun etkilerine karşı kendinizi koruyun.

AÇIKLAMA

Metindeki numaralar sayfa 2-3'teki semaları isaret etmektedir.

1. Tutamak
2. Kilitleme düğmesi
3. Açma/Kapama düğmesi
4. Tutamak kilidini açma düğmesi
5. İlave tutamak
6. Taban plakası
7. Testere bıçağı
8. Matkap kovani
9. Kelepçeleme kolu
10. Taban plakası civataları

3. MONTAJ



Makine üzerinde herhangi bir çalışma yapmadan önce, elektrik fişini prizden çekin.

Testere bıçağının değiştirilmesi (Şekil A, C)



Testere bıçağını monte ederken koruyucu eldiven kullanın. Testere bıçağına dokunulduğunda yaralanma tehlikesi. Sadece kullanım talimatlarında verilen karakteristik verilere karşılık gelen testere bıcağını kullanın.



Sadece kullanım talimatlarında verilen karakteristik verilere karşılık gelen testere bıcağını kullanın.

Testere bıçağının takılması

Bıçak tutucusunda malzeme artıkları (tahta kıymıkları veya metal gibi) bulunmadığından emin olun.

1. Kelepçeleme kolunu (9) mümkün olduğunca sola çevirin ve bu konumda tutun.
2. Testere bıçağını kovana (8) yerleştirin. Testere bıçağının sağlam bir şekilde sabitlendiğinden ve dişlerin aşağıya donuk olduğundan emin olun.
3. Kelepçeleme kolunu bırakın. Testere bıçağının yerine kilitleyip kilitlemediğini kontrol edin.

İlgili malzeme için doğru testere bıçağını kullandığınızdan emin olun. Makine ile birlikte ahşap için kalın dişli bir testere bıçağı ve metal ve plastik için ince dişli bir testere bıçağı verilir.

Testere bıçağının çıkartılması

1. Kelepçeleme kolunu (9) mümkün olduğunca sola çevirin ve bu konumda tutun.
2. Testere bıçağını kovandan (8) çıkartın.
3. Kelepçeleme kolunu bırakın.

4. ÇALIŞTIRMA**Açma ve kapatma (Şekil A)**

- Makineyi açmak için açma/kapama anahtarına (3) basın.
- Makineyi sürekli çalışma moduna almak için, açma/kapama anahtarına (3) basılı tutun ve aynı anda kilitleme düğmesine (2) basın.
- Makineyi kapamak için açma/kapama anahtarını (3) bırakın.

Taban plakasının ayarlanması (Şekil B)

Hareketliği sayesinde taban plakası (6) acısı iş parçasına adapte olur. Ayrıca, taban plakasının uzunluğu, gerekli kesme derinliğine bağlı olarak ayarlanabilir.

1. Urune gelen allen anahtarını (10) kullanarak taban plakası civatalarını gevşetin.
2. Taban plakası (6) ayarlayın.
3. Urune gelen allen anahtarını (10) kullanarak taban plakası civatalarını sıkın. Allen anahtarını, Şekil B'de gösterildiği gibi makinede saklamak mümkündür.

Daldırma kesimi (Şekil D)

Daldırma kesimi sadece ahşap, gozenekli beton, alçı levha ürünleri gibi yumuşak materyallerle

kullanılabilir. Bununla birlikte bu kesim için belirli bir pratik gerekir ve sadece kısa testere bıcağıyla mümkündür.

1. Testere tabanını iş parçası üzerine koyun ve aleti çalıştırın.
2. Ayaklığın alt kenarının şekilde gösterildiği gibi iş parçasına yaslandığından emin olun.
3. Testereyi dikey bir konuma hareket ettirerek iş parçasını yavaşça kesin ve kesim çizgisi boyunca kesme işlemine devam edin.
4. İş tamamlandığında testereyi kapatın ve iş parçasını kaldırın.

Kenar kesimi (Fig. E)

Elastik bi-metal testere bıcağı duvar yakınında çıkıntı yapan nesnelere (örn. su boruları, demir cubuklar vb.) kesmenizi sağlar.

1. Testere bıçağını doğrudan duvara uygulayın ve ayaklık duvara dayanacak şekilde hafifçe eğin.
2. Makineyi çalıştırın ve iş parçasını duvara karşı sabit bir yatay basıncı koruyarak kesin.

Ana tutamağın ayarlanması

Çalışmaya başlamadan önce ana tutamağı (1) yapılan iş için en rahat konuma ayarlayabilirsiniz. Tutamak, alet gövdesinin uzun ekseninde (taban konumundan 90° sola veya sağa) 180° dönüş aralığında 5 farklı konuma ayarlanabilir.

1. Tutamak kilitleme düğmesini (4) geriye doğru oynatın.
2. Ana tutamağı aletin uzun eksenine etrafında istenen konuma çevirin (Şekil F).
3. Ana tutamak otomatik olarak istenilen konuma kilitletir.

Kesim önerileri

- Testere bıçağını ve vuruş hızını işlenecek malzemeye uygun şekilde ayarlayın. Sağa doğru kıvrımlar için dar bir testere bıçağının kullanılması daha iyidir. Metal kesimi sırasında kesim hattında oluşan titreşimle başa çıkmak için soğutucu veya yağlayıcı kullanın.
- Kesmeden önce ahşap, sunta, inşaat malzemelerinin vb. yabancı maddeler (tırnak, vida vb.) açısından kontrol edin ve gerekirse bunları kaldırın.
- Malzemeyi kelepçeyle iyi tutturun. İş parçasını el veya ayakla desteklemeyin. Testere çalışırken diğer nesnelere veya zemine temas etmeyin (geri tepme riski).

- Ayaklığı iş parçasının üzerine koyun ve sabit temas basıncı veya besleme yoluyla kesim işlemini yapın. Testere bacağı takılırsa makineyi hemen durdurun. Boşluğu uygun bir aletle gecin ve testere bacağına cekip çıkartın.
- İş sona erdikten sonra makineyi durdurun ve ancak tamamen durduktan sonra yere indirin.

- Normal aşınma ve eskime.
- Cihazın kötü ve yanlış kullanılması veya cihaza yanlış bakım yapılması.
- Orijinal olmayan yedek parçaların kullanılması

5. BAKIM



Arızalı ve/veya atılmış elektrikli veya elektronik ekipmanların uygun geri dönüşüm konumlarında toplanması gerekir.

Makine kaplamalarını yumuşak bir bezle, tercihen her kullanımdan sonra düzenli olarak temizleyin. Havalandırma deliklerinin toz ve kirden arınmış olduğundan emin olun. Çok inatçı kirleri sabun köpüğüyle ıslatılmış yumuşak bir bezle çıkarın. Benzin, alkol, amonyak vs. gibi çözücü maddeleri kullanmayın. Bunlar gibi kimyasallar sentetik bileşenlere zarar verecektir.

ÇEVRE



Arızalı ve/veya atılmış elektrikli veya elektronik ekipmanların uygun geri dönüşüm konumlarında toplanması gerekir.

Yalnızca AT ülkeleri için

Elektrikli aletleri evsel atık olarak atmayın. Atık Elektrikli ve Elektronik Donanım için Avrupa İlkeleri 2012/19/EU'ya ve bunun yerel hukuk çerçevesinde uygulamasına göre, artık kullanılamaz olan elektrikli aletler ayrı olarak toplanmalı ve çevre dostu bir yolla imha edilmelidir.

GARANTİ

VONROC ürünleri yüksek kalite standartları doğrultusunda geliştirilmiştir ve ilk satın alımdan itibaren kanunen belirlenen süre boyunca materyal ve işçilik açısından kusursuz olacağı garanti edilmektedir. Bu süre zarfında, kusurlu materyal ve/veya işçilikten dolayı üründe herhangi bir arıza meydana gelmesi durumunda, doğrudan VONROC iletişim kurun.

Takip eden durumlar bu garanti kapsamı dışındadır:

- Yetkisiz servis merkezleri tarafından yapılan veya yapılmaya teşebbüs edilen onarım ve/veya değişiklikler.

Bu, şirket tarafından açık ya da zımnı verilmiş tek garantiyi oluşturur. Belirli bir amaç için ticarete elverişlilik ve uygunluğun zımnı garantileri dahil dış görünüşünün ötesine uzanan açık veya zımnı başka hiçbir garanti yoktur. VONROC herhangi bir arızı veya dolaylı zarardan hiçbir halükarda sorumlu olmayacaktır. Bayilerin getireceği çözümler uygunsuz birimlerin veya parçaların onarımı veya değiştirilmesiyle sınırlı olacaktır.

Ürün ve kullanıcı kılavuzu değişikliğe tabidir. Spesifikasyonlar başka bir uyarı olmaksızın değiştirilebilir.



DECLARATION OF CONFORMITY RS502AC - RECIPROCATING SAW

- (EN) We declare under our sole responsibility that this product is in conformity with directive 2011/65/EU of the European parliament and of the council of 8 June on the restriction of the use of certain hazardous substances in electrical and electronic equipment is in conformity and accordance with the following standards and regulations:
- (DE) Der Hersteller erklärt eigenverantwortlich, dass dieses Produkt der Direktive 2011/65/ EU des Europäischen Parlaments und des Rats vom 8. Juni 2011 über die Einschränkung der Anwendung von bestimmten gefährlichen Stoffen in elektrischen und elektronischen Geräten entspricht. den folgenden Standards und Vorschriften entspricht:
- (NL) Wij verklaren onder onze volledige verantwoordelijkheid dat dit product voldoet aan de conform Richtlijn 2011/65/EU van het Europees Parlement en de Raad van 8 juni 2011 betreffende beperking van het gebruik van bepaalde gevaarlijke stoffen in elektrische en elektronische apparatuur en in overeenstemming is met de volgende standaarden en reguleringen:
- (FR) Nous déclarons sous notre seule responsabilité que ce produit est conforme aux standards et directives suivants: est conforme à la Directive 2011/65/EU du Parlement Européen et du Conseil du 8 juin 2011 concernant la limitation d'usage de certaines substances dangereuses dans l'équipement électrique et électronique.
- (ES) Declaramos bajo nuestra exclusiva responsabilidad que este producto cumple con las siguientes normas y estándares de funcionamiento: se encuentra conforme con la Directiva 2011/65/UE del Parlamento Europeo y del Consejo de 8 de junio de 2011 sobre la restricción del uso de determinadas sustancias peligrosas en los equipos eléctricos y electrónicos.
- (IT) Dichiariamo, sotto la nostra responsabilità, che questo prodotto è conforme alle normative e ai regolamenti seguenti: è conforme alla Direttiva 2011/65/UE del Parlamento Europeo e del Consiglio dell'8 giugno 2011 sulla limitazione dell'uso di determinate sostanze pericolose nelle apparecchiature elettriche ed elettroniche.
- (PL) Deklarujemy na własną odpowiedzialność, że ten produkt spełnia wymogi zawarte w następujących normach i przepisach: jest zgodny z Dyrektywą 2011/65/UE Parlamentu Europejskiego i Rady z dnia 8 czerwca 2011 r. w sprawie ograniczenia stosowania niektórych niebezpiecznych substancji w sprzęcie elektrycznym i elektronicznym.
- (TR) Tek sorumlusu biz olmak üzere bu ürünün Avrupa Parlamentosunun 2011/65/EU ve 8 Haziran 2011 tarihli konseyin elektrikli ve elektronik ekipmanlarda belirlenmiş tehlikeli malzeme kullanımının kısıtlanması hakkındaki talimatları ile birlikte aşağıda belirtilen standart ve yönergelere uygun ve uyumlu olduğunu beyan ederiz:

2011/65/EU, 2014/30/EU, 2006/42/EC, EN 62841-1, EN 62841-2-11, EN 55014-1, EN 55014-2, EN 61000-3-2, EN 61000-3-3, 2012/19/EU

Zwolle, 01-05-2020

H.G.F Rosberg
CEO

VONROC - Lingenstraat 6 - 8028 PM Zwolle - The Netherlands



VONROC®
BUILD YOUR FUTURE

©2020 VONROC
WWW.VONROC.COM

2005-07