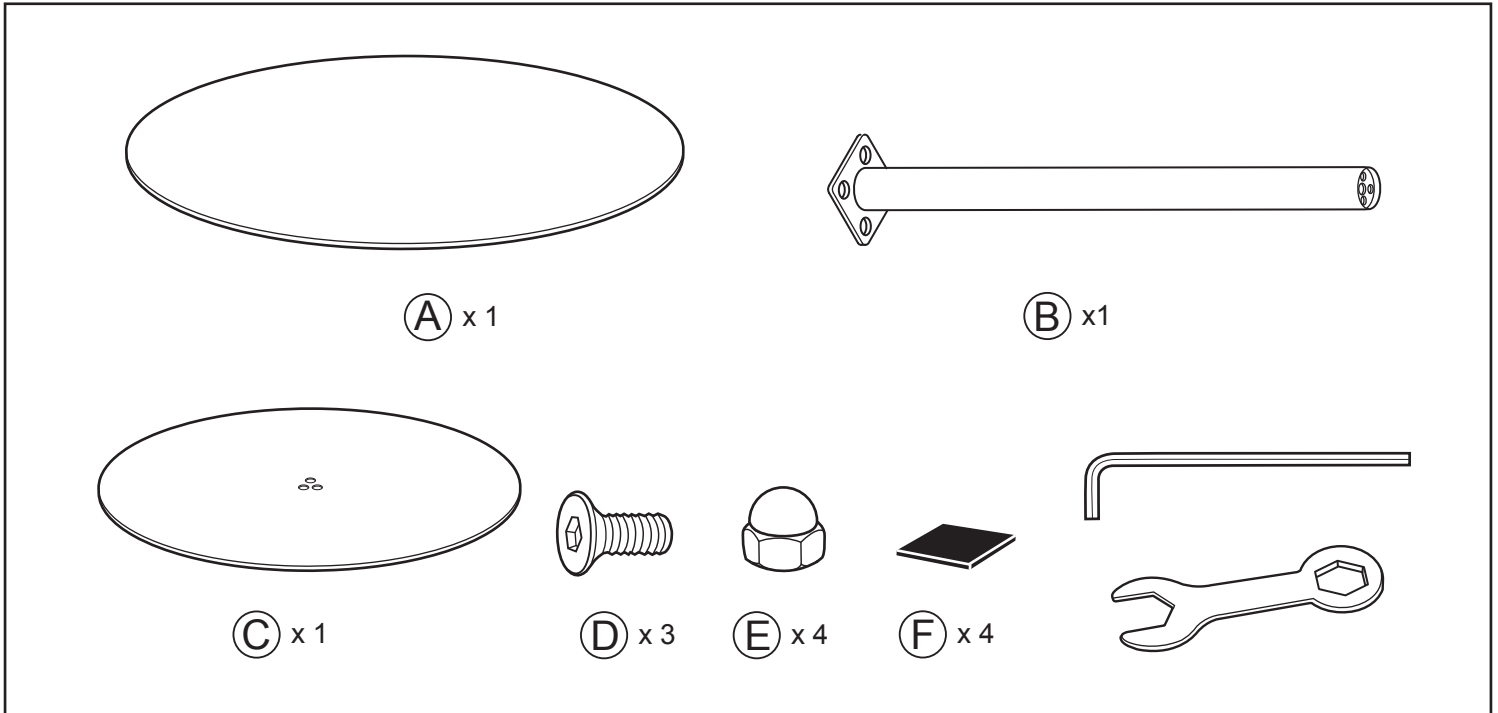


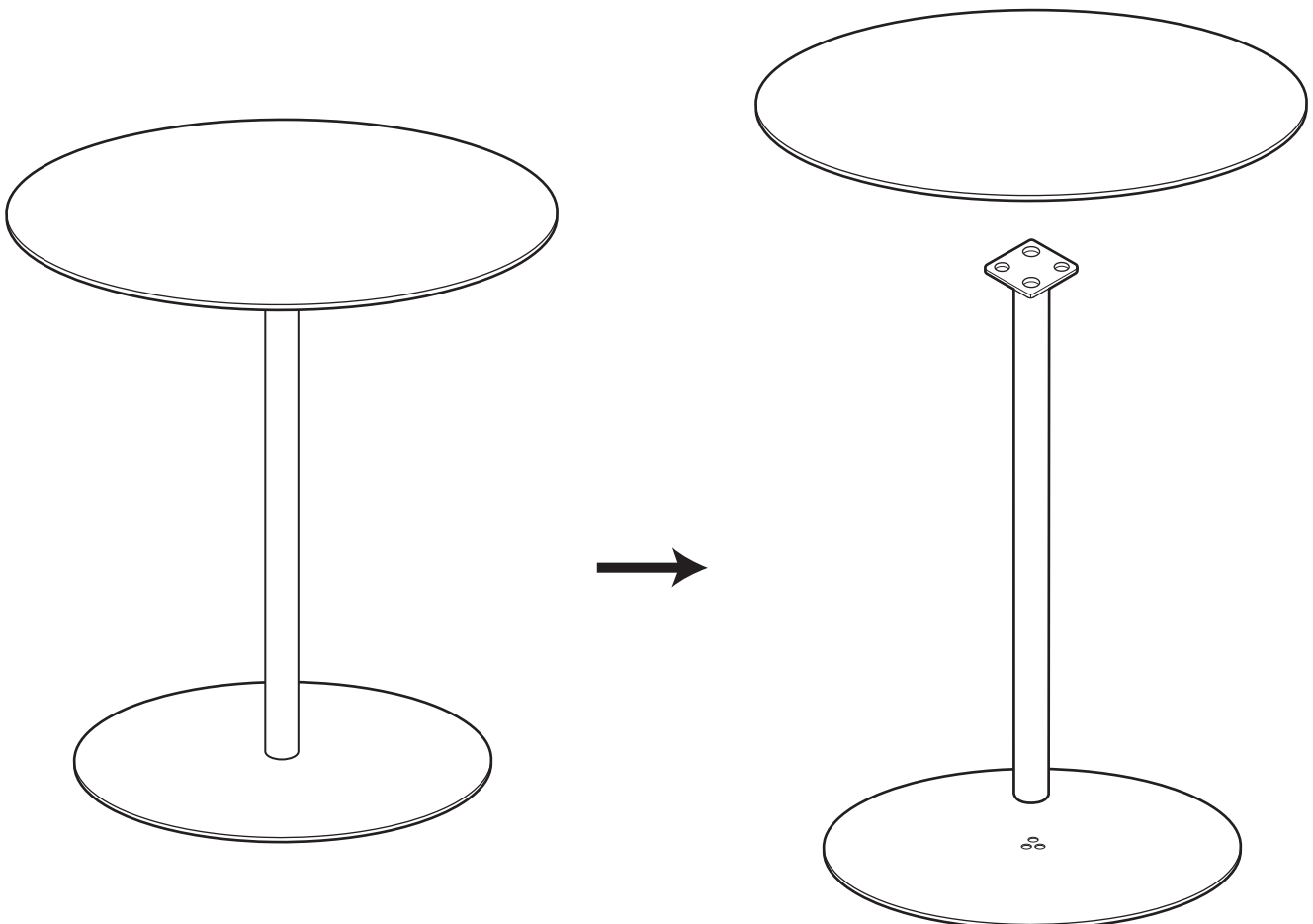
# Assembly instructions

2100101/2100102 BISTRO TABLE

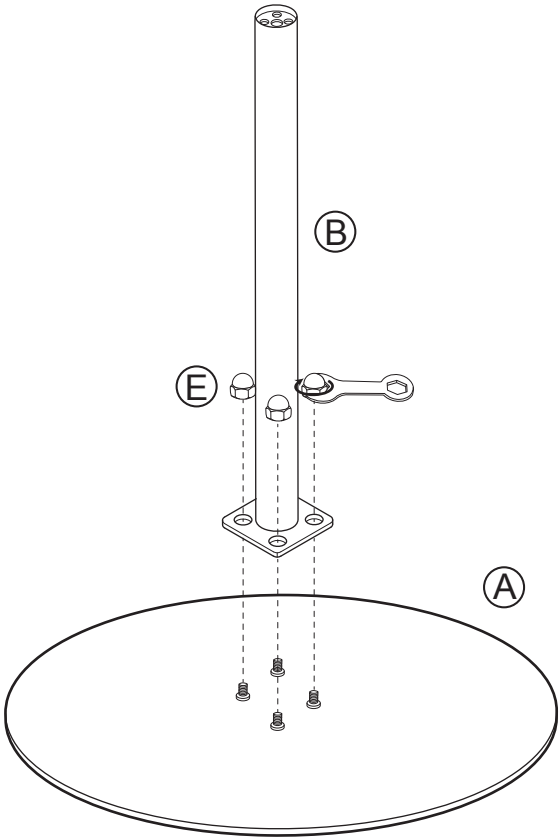
ZUIVER<sup>o</sup>



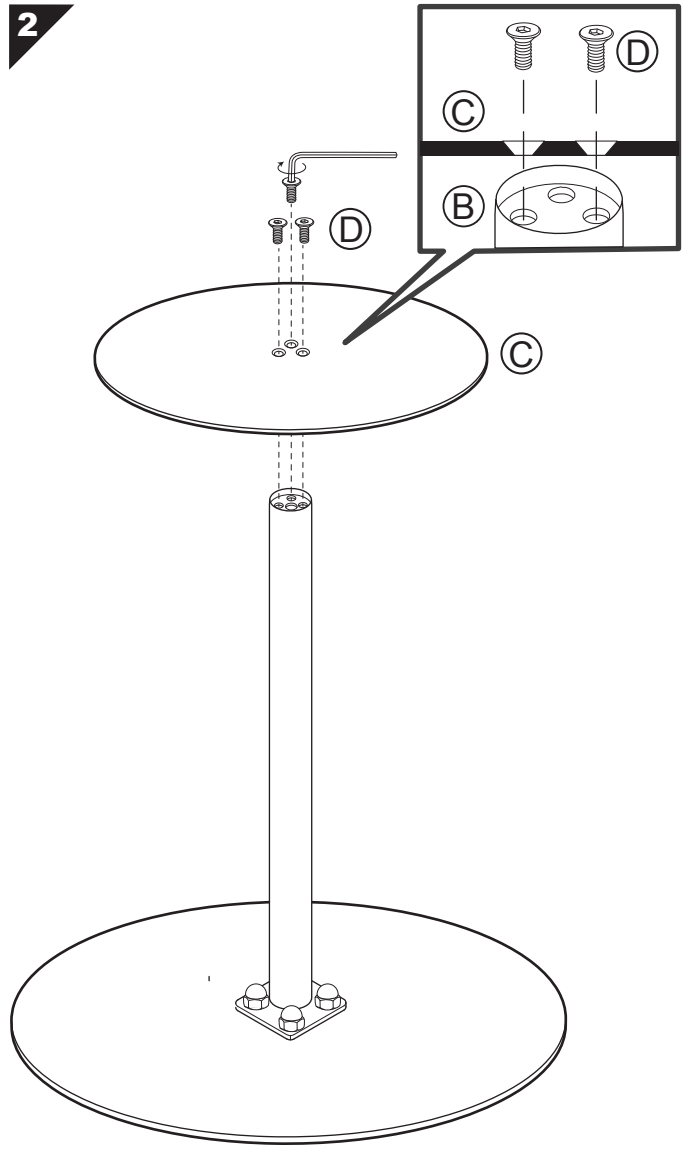
CAUTION : DO NOT TIGHTEN SCREWS COMPLETELY UNTIL ALL THE SCREWS ARE FIXED IN THE CORRECT POSITION. TO MAINTAIN YOUR PRODUCT, WE RECOMMEND THAT YOU TAKE EXTRA CARE BY USING COASTERS FOR PROTECTION AND IN CASE OF SPILLING, CLEAN DIRECTLY.



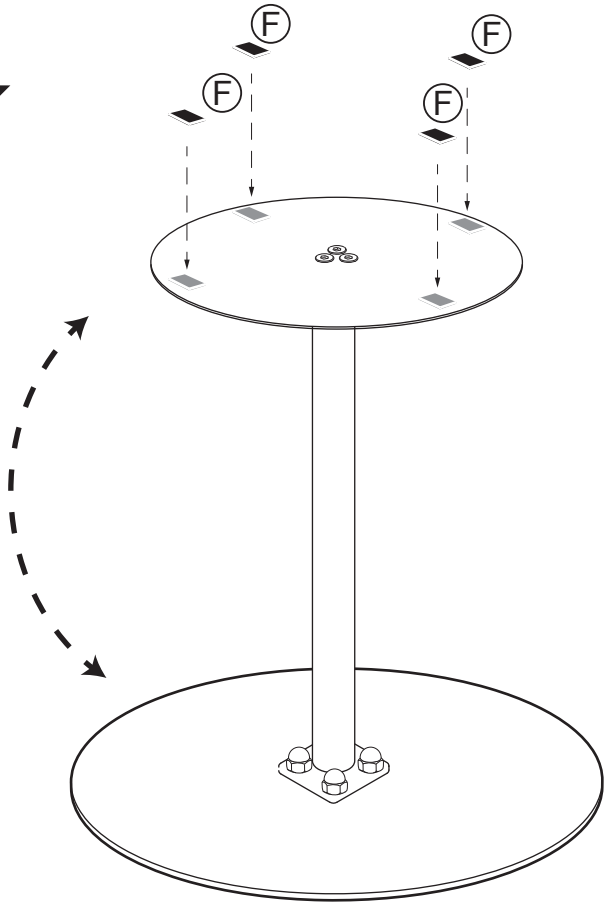
1



2



3



4

