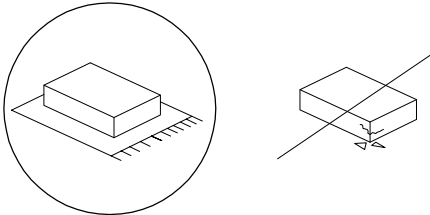
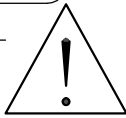

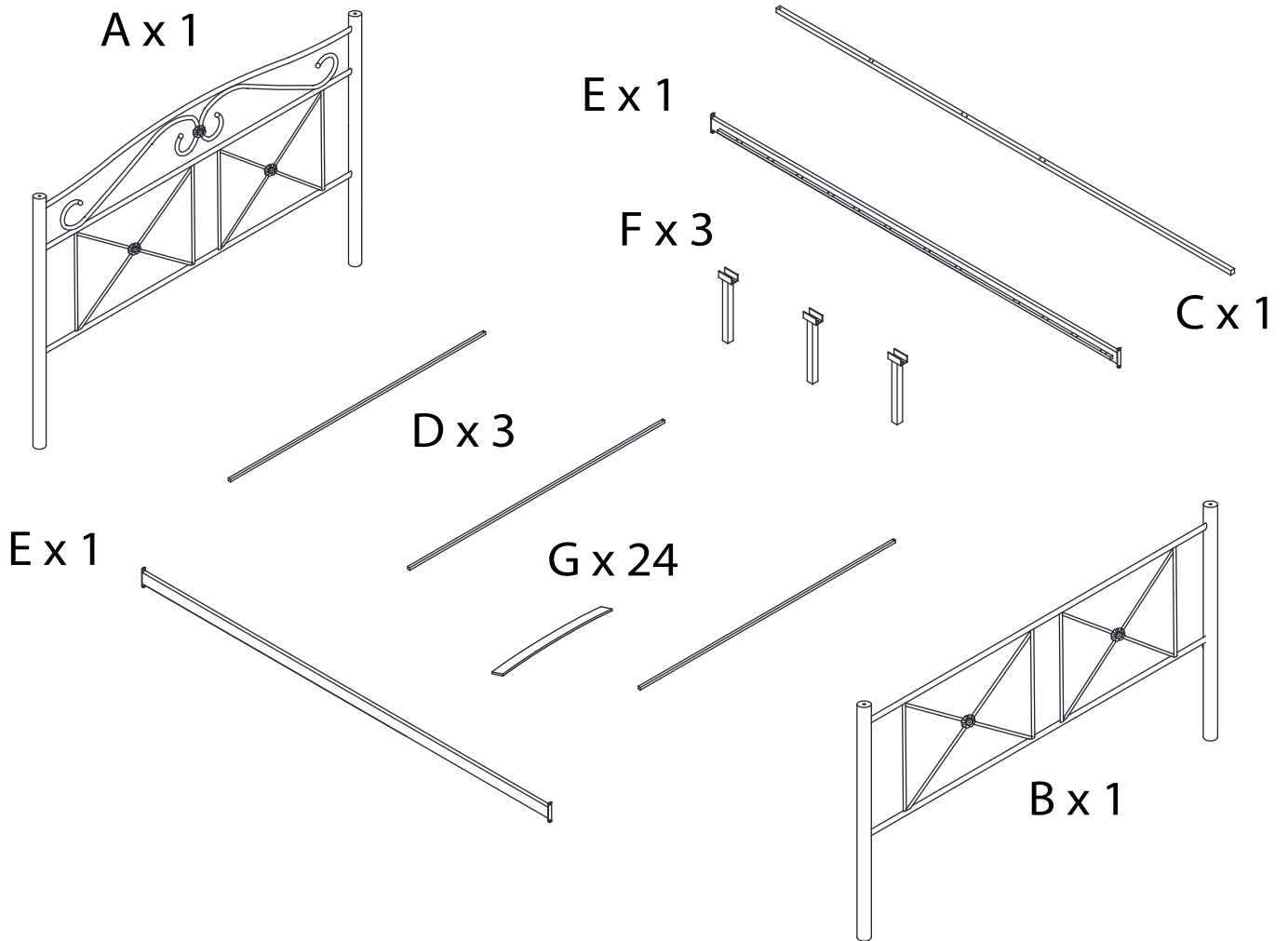
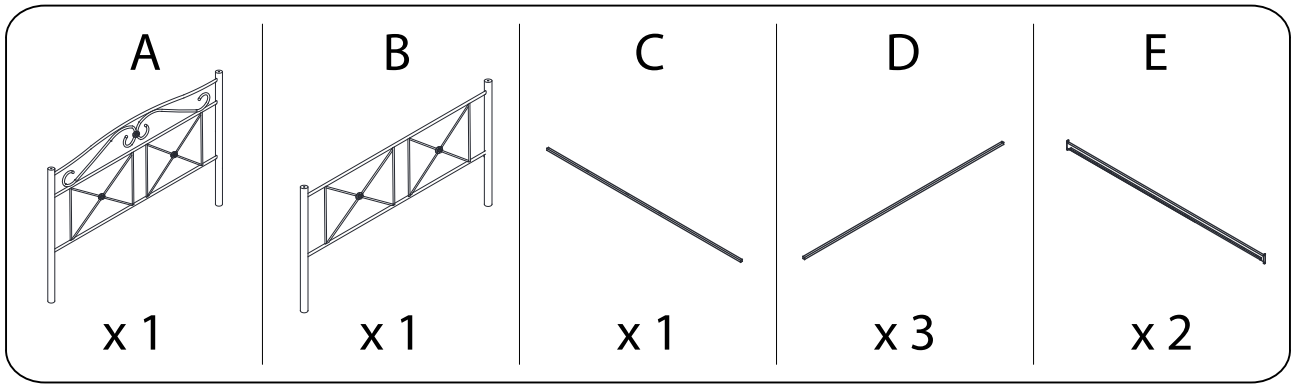
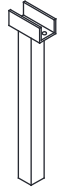

		<p>45'</p>
		
		<p>2</p>

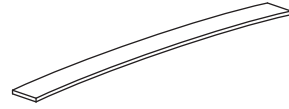


F



x 3

G



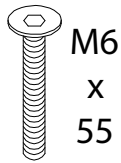
x 24

H



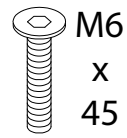
x 4

I



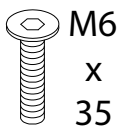
x 3

J



x 6

K



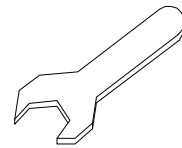
x 5

L



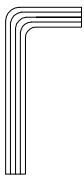
x 4

M



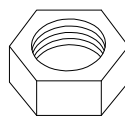
x 1

N



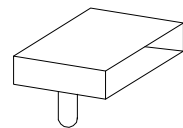
x 1

O



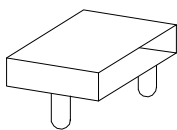
x 16

P



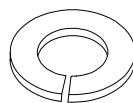
x 12

Q



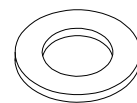
x 24

R



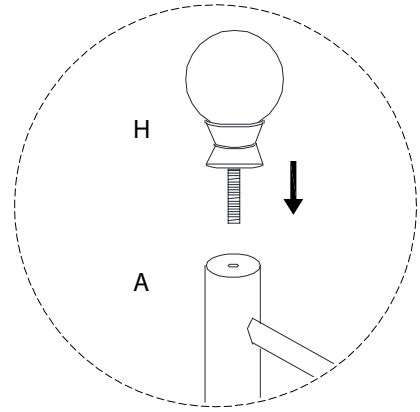
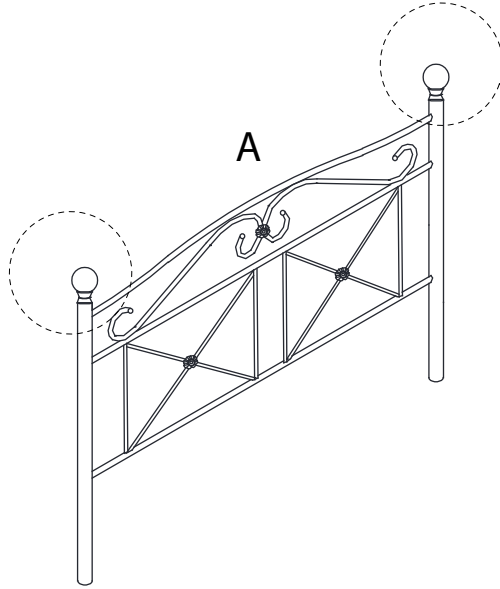
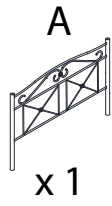
x 4

S

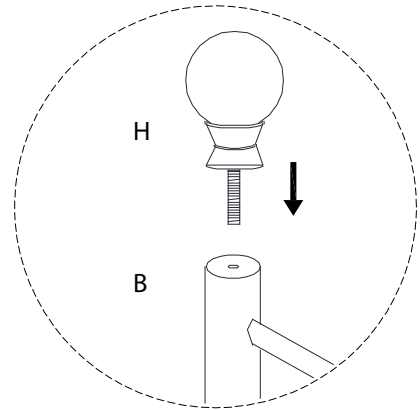
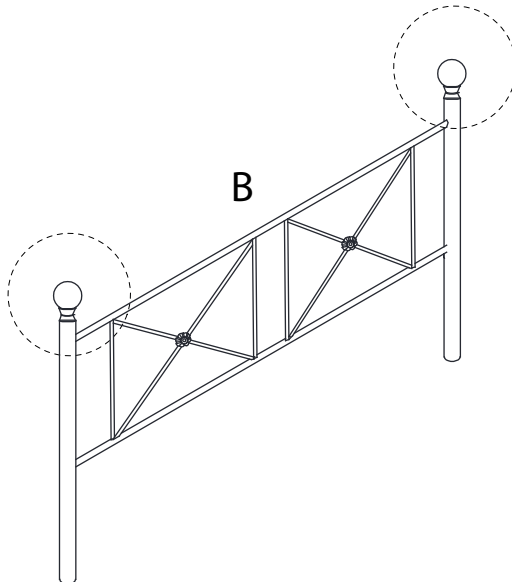
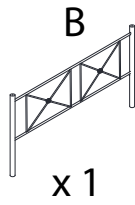


x 18



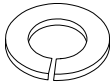
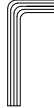
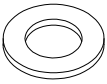
1

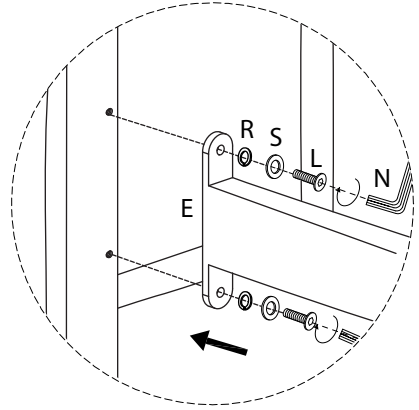
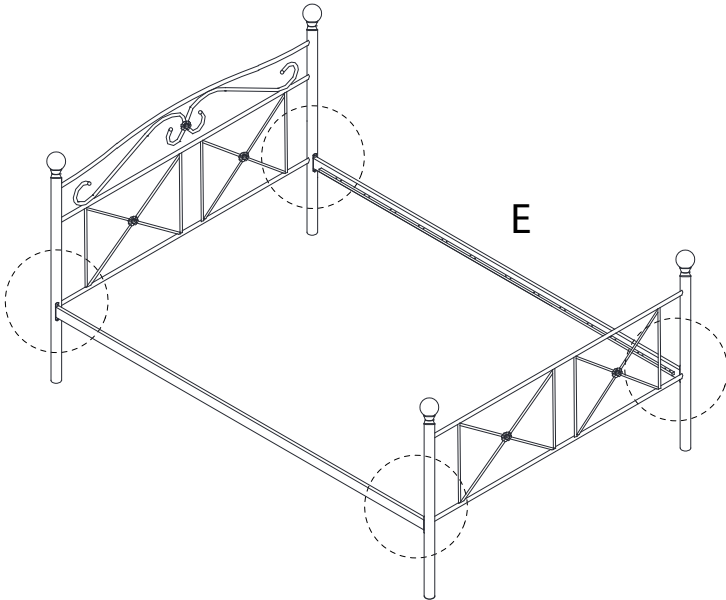


2


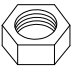
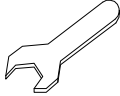
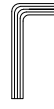
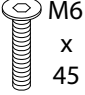


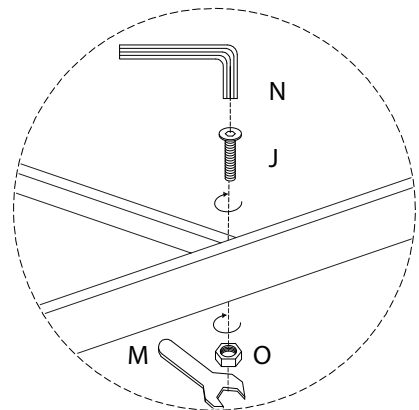
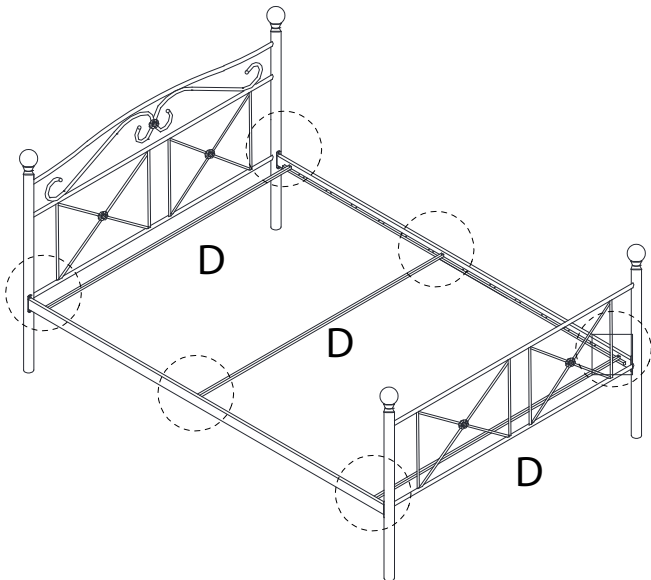
3

<p>E</p>  <p>x 2</p>	<p>L</p>  <p>M6 x 20</p> <p>x 8</p>	<p>R</p>  <p>x 8</p>	<p>N</p>  <p>x 1</p>	<p>S</p>  <p>x 8</p>
---	--	---	---	---


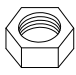
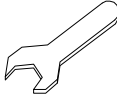
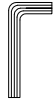
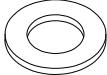
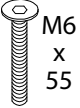


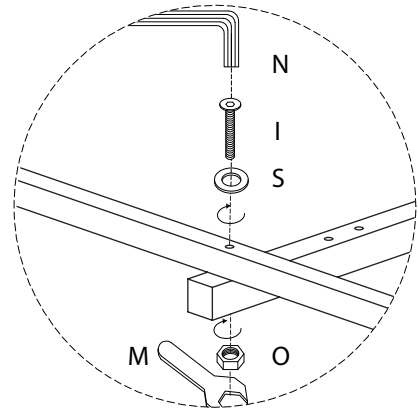
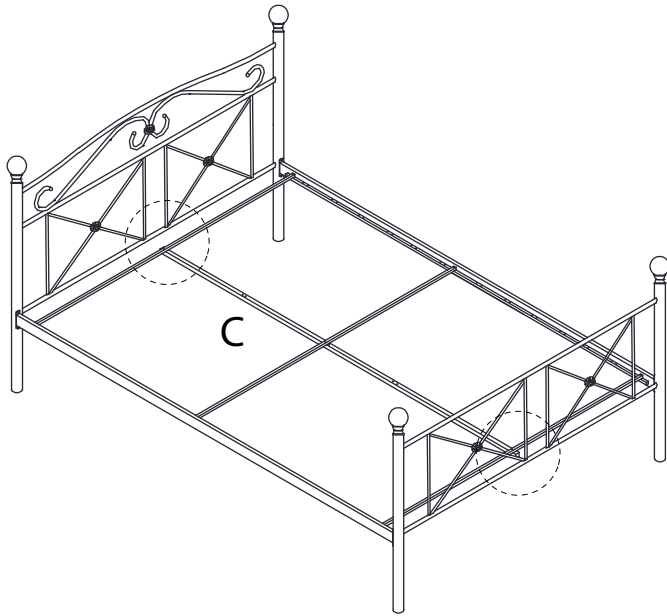
4

<p>D</p>  <p>x 3</p>	<p>O</p>  <p>x 6</p>	<p>M</p>  <p>x 1</p>	<p>N</p>  <p>x 1</p>	<p>J</p>  <p>M6 x 45</p> <p>x 6</p>
---	---	---	---	--


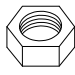

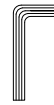
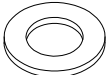
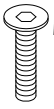
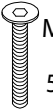


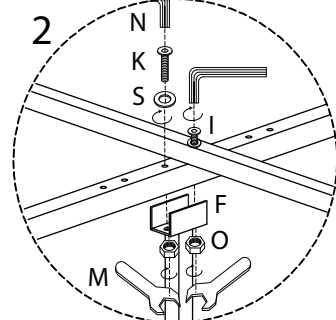
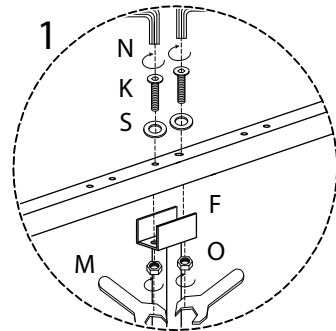
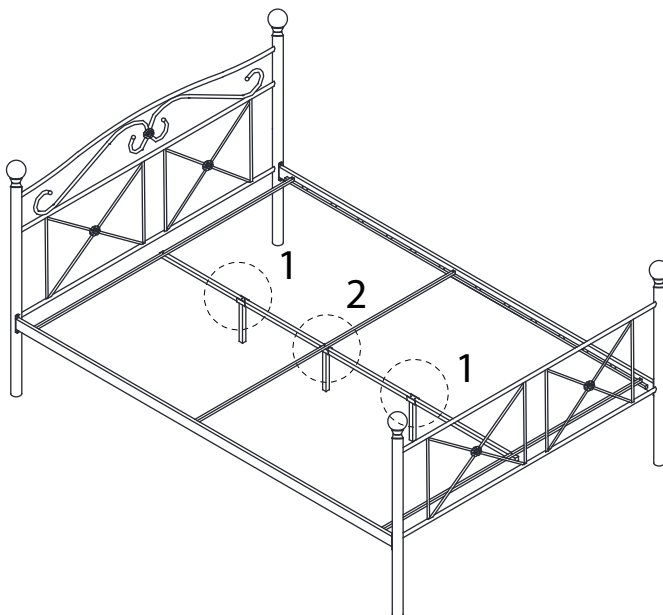
5

C	O	M	N	S	I
					
x 1	x 2	x 1	x 1	x 2	x 2

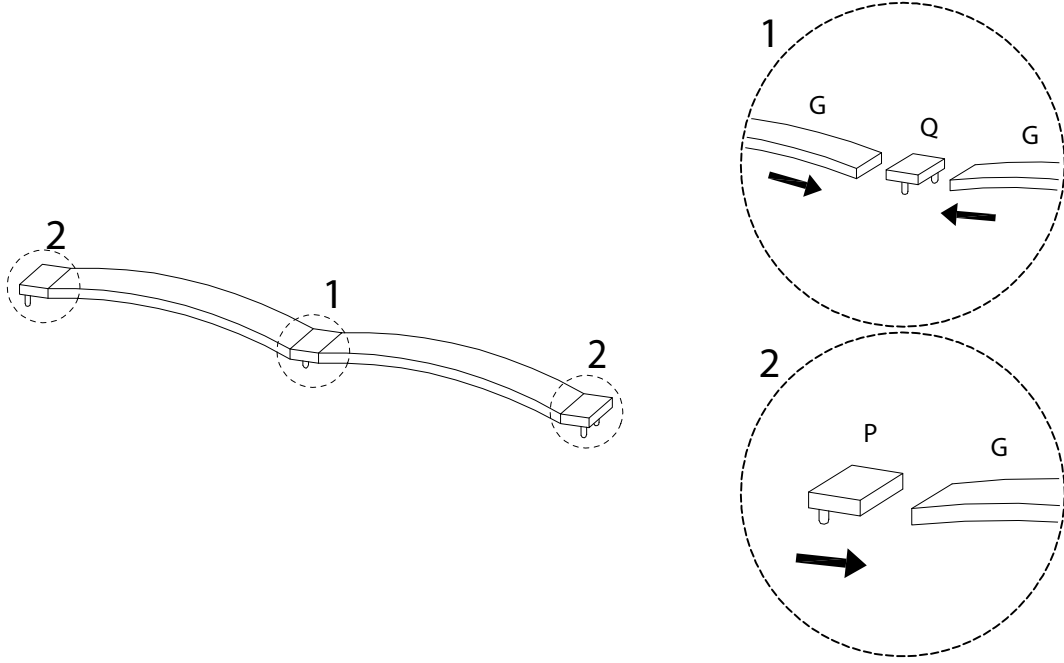
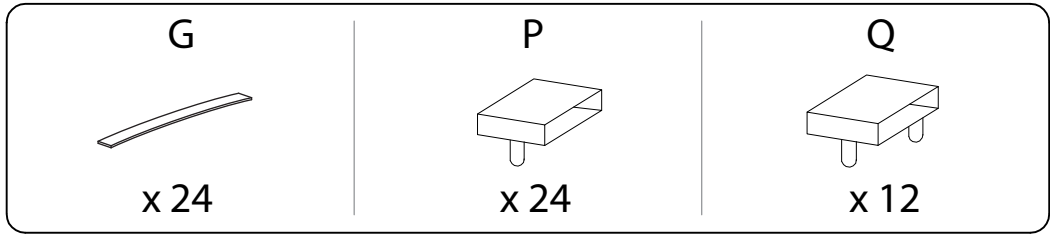


7

F	O	M	N	S	K	I
						
x 3	x 6	x 1	x 1	x 6	x 5	x 1



8



9

