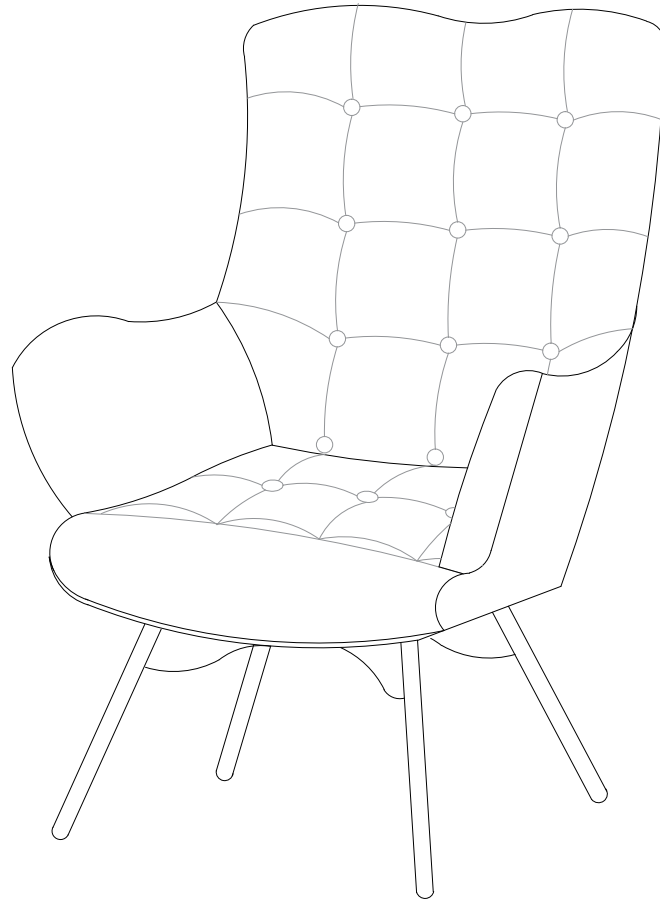
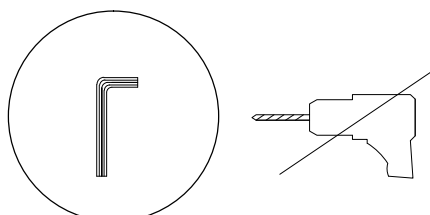

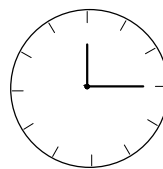
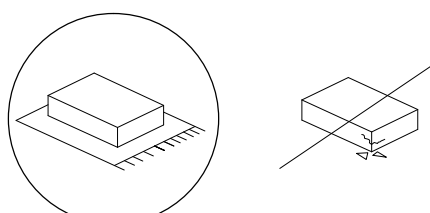

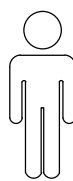
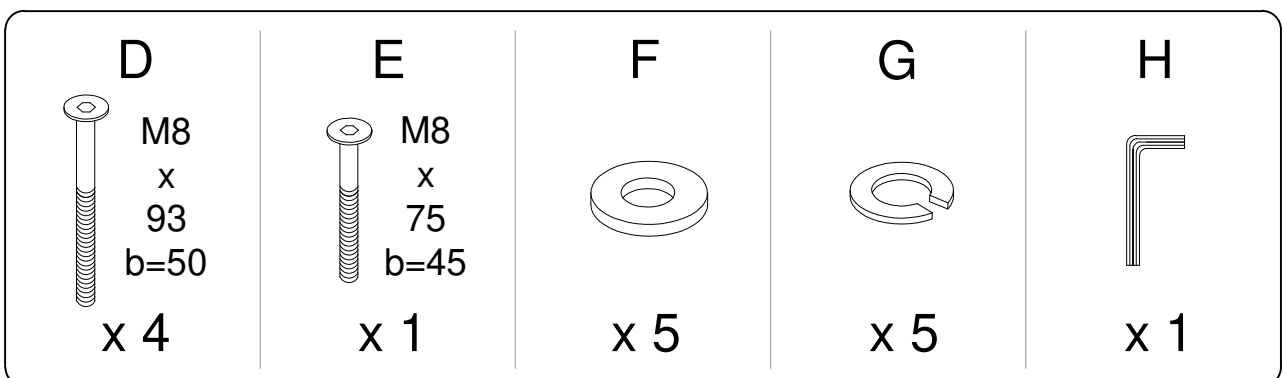
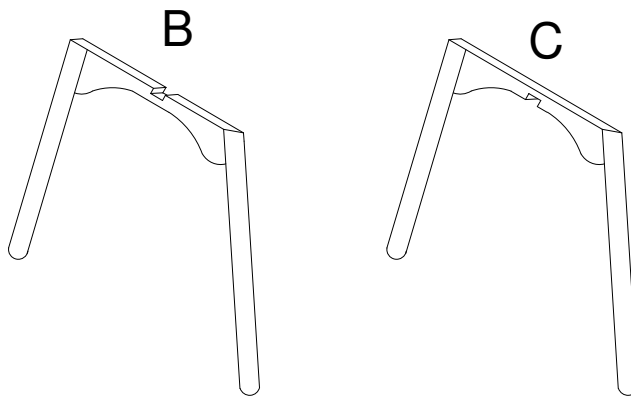
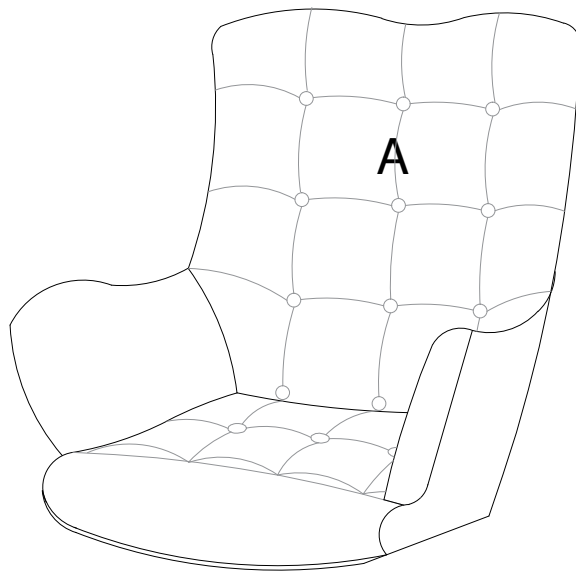
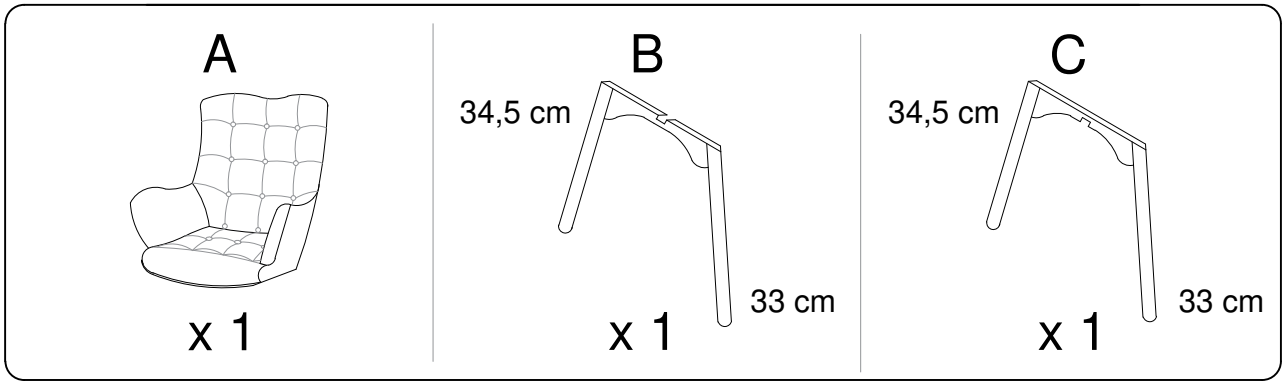


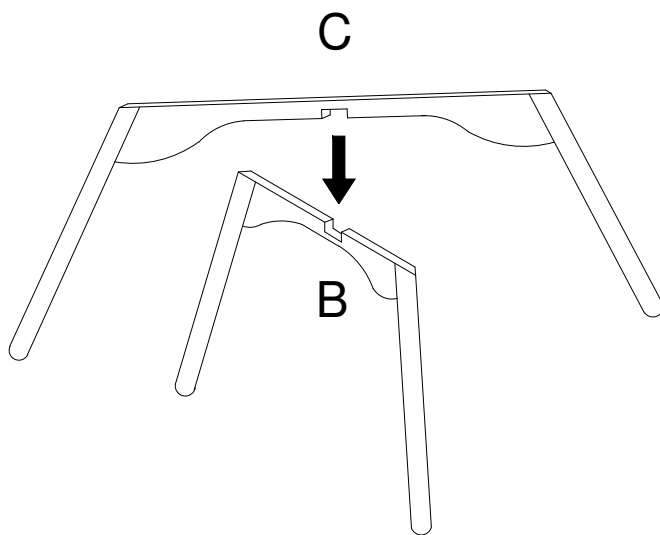
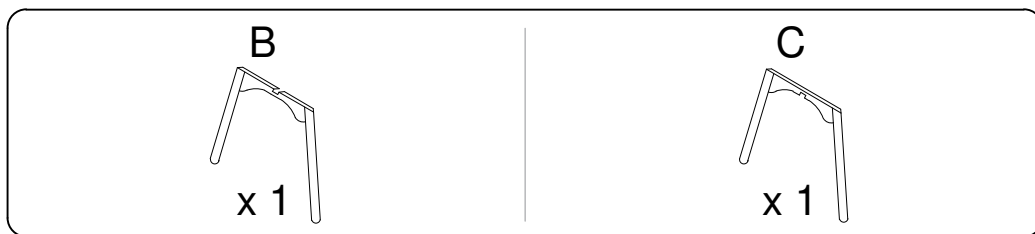
A



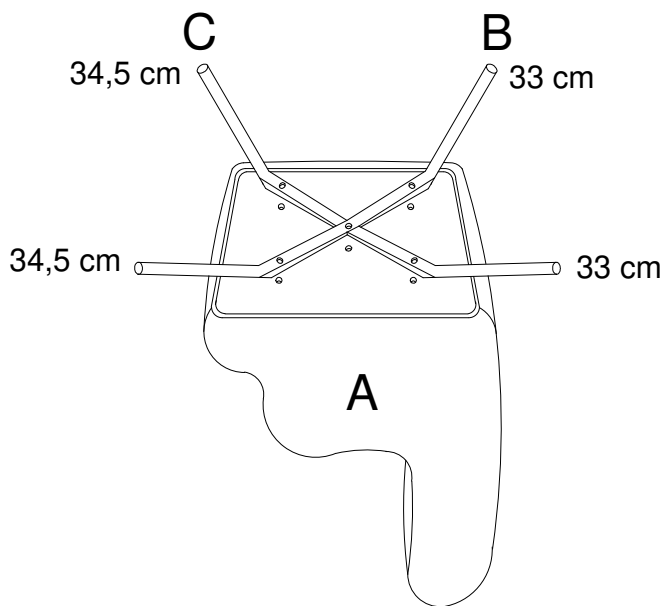
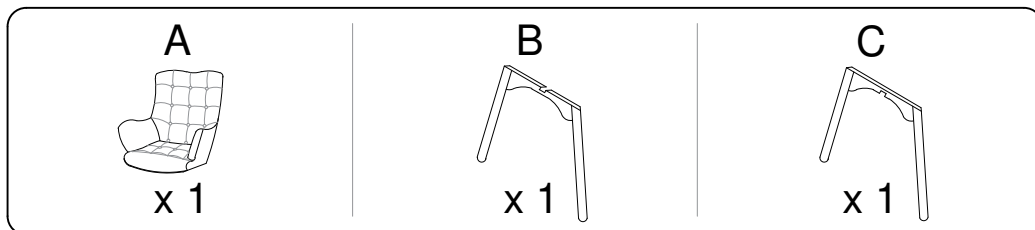
		
		15'
		
		1




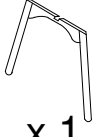
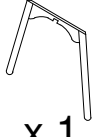
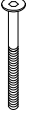
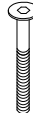


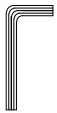
1

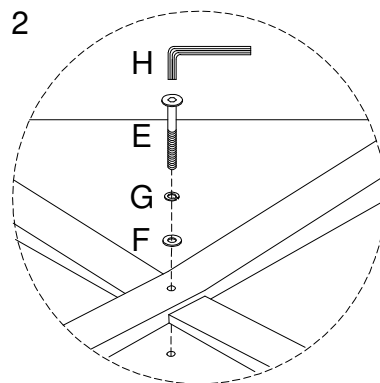
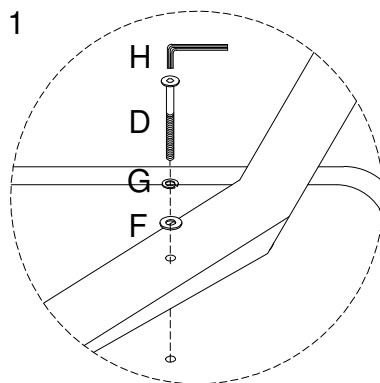
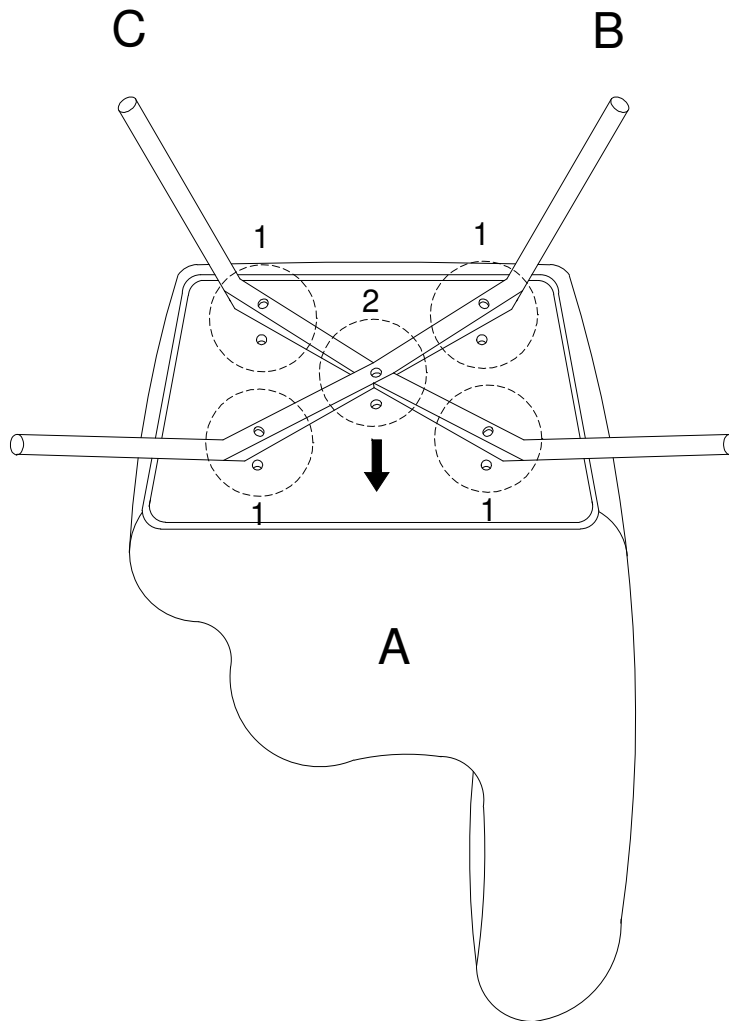


2

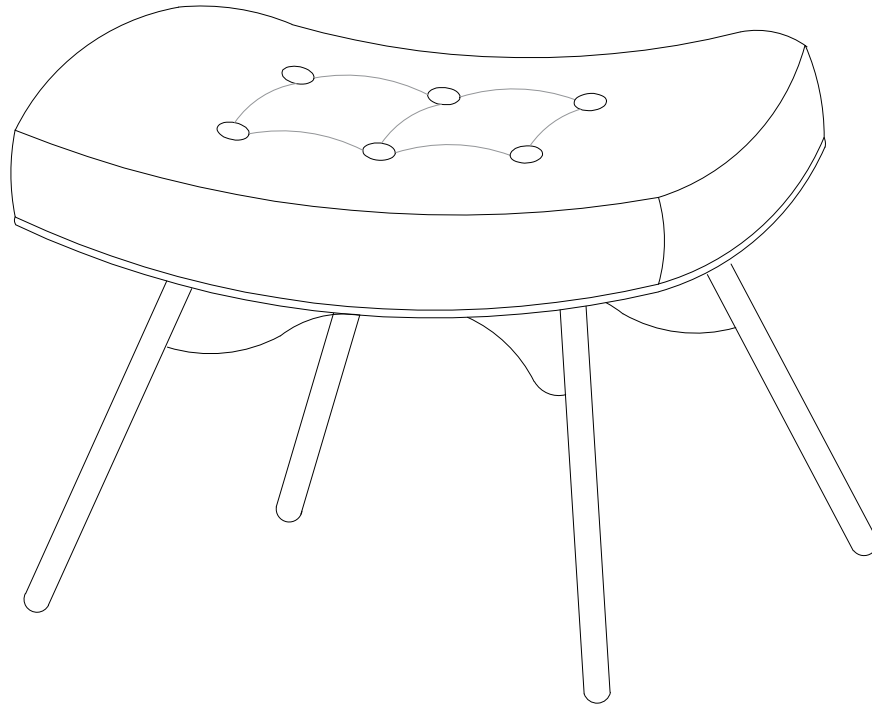


3

 x 1	 x 1	 x 1	 M8 x 93 b=50 x 4
 M8 x 75 b=45 x 1	 x 5	 x 5	 x 1



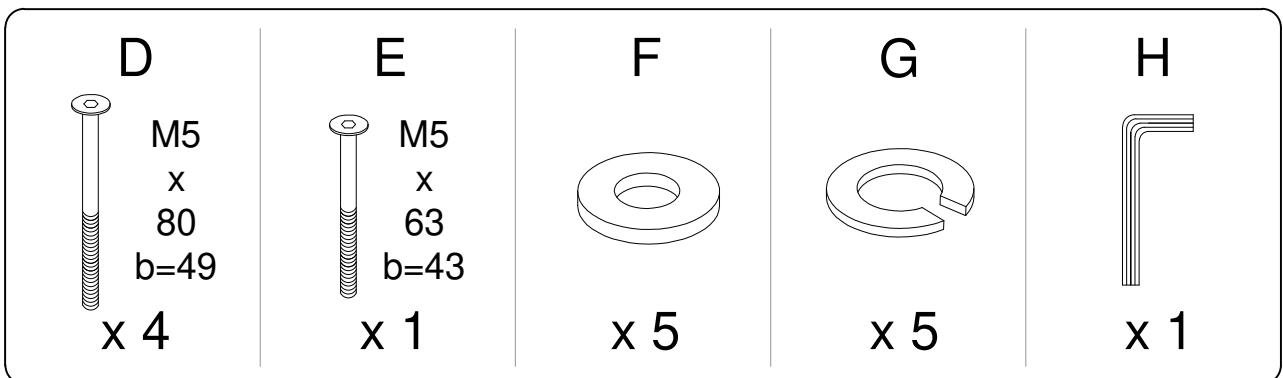
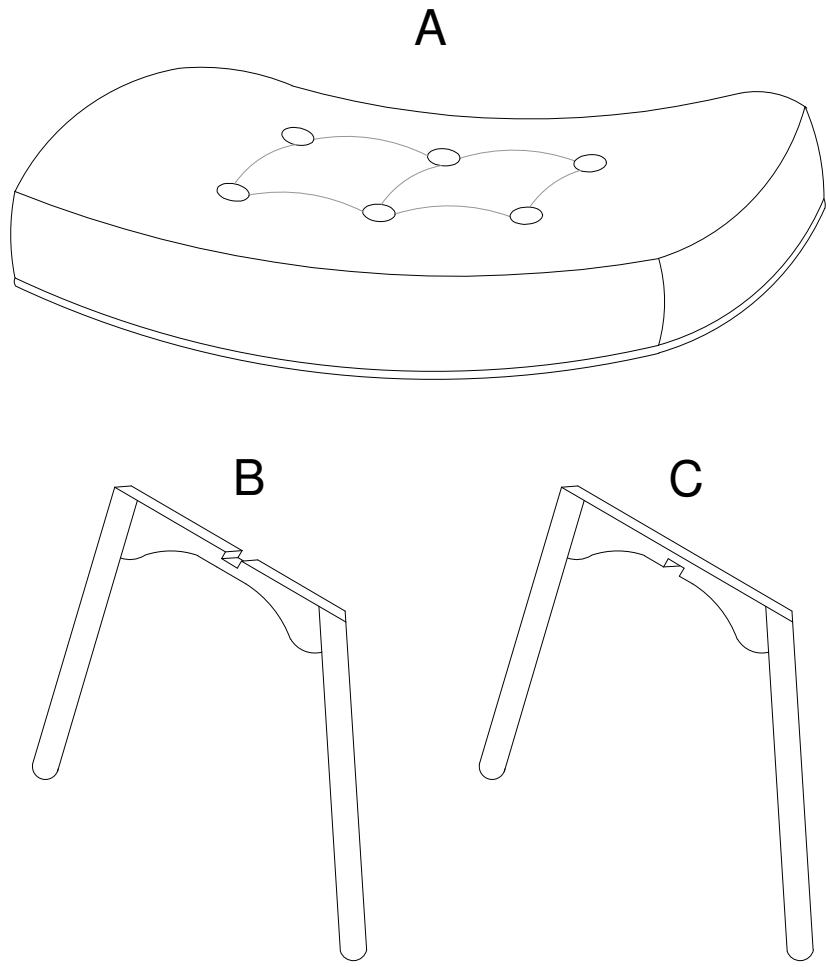
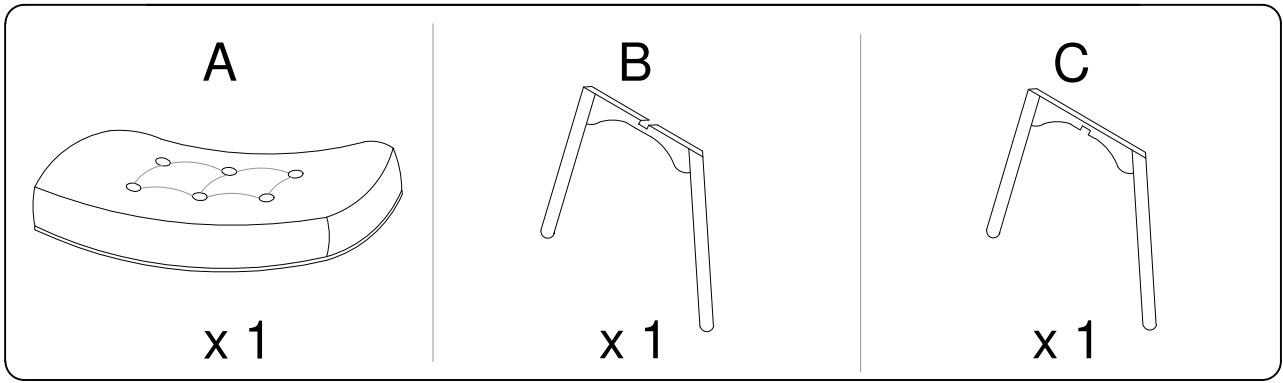
B



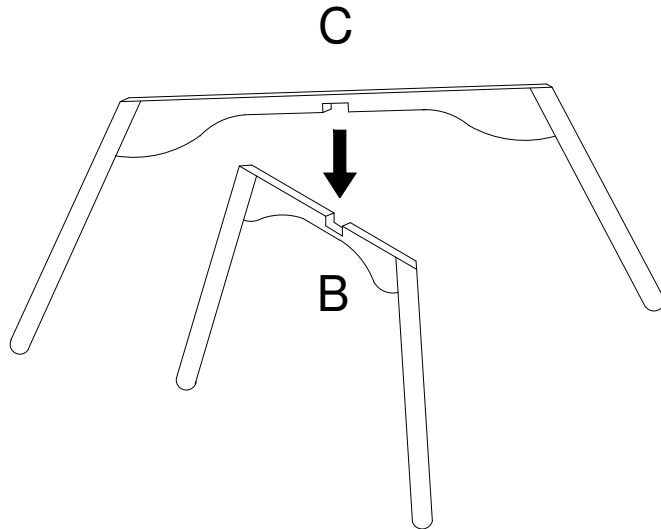
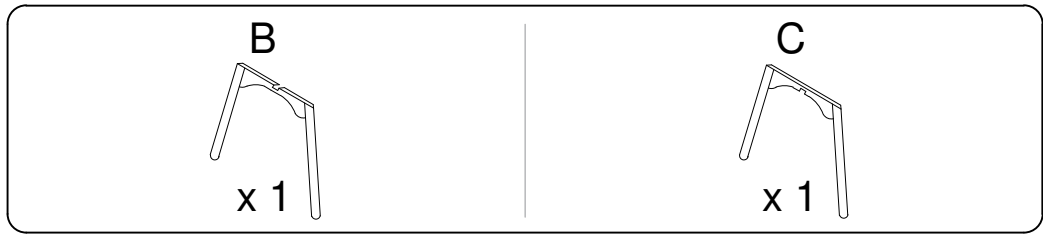
An icon of an L-shaped metal bracket inside a circle. To its right is a power drill with a diagonal line through it, indicating it should not be used.	A warning triangle containing an exclamation mark.	A clock face showing 15 minutes.
An icon of a rectangular block being placed on a surface with a hatched pattern. To its right is a block being lifted by a hand, with a diagonal line through it, indicating it should not be lifted.	A warning triangle containing an exclamation mark.	A simple icon of a person.

15'

1



1



2

