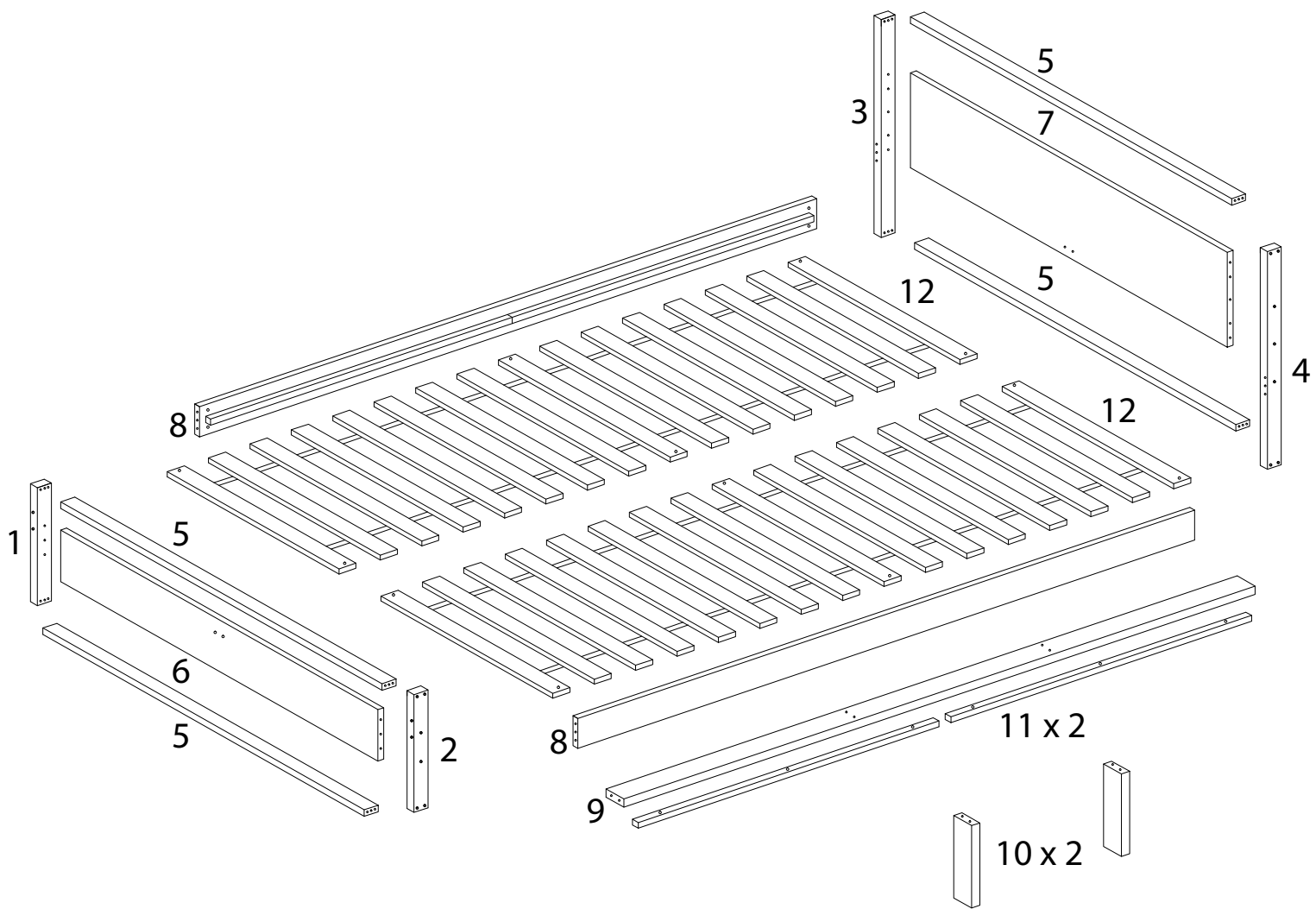


Assembly instructions for step 1/8:

- Tools:** A circular icon contains a screwdriver and an Allen key. A power drill icon is crossed out with a diagonal line, indicating it should not be used.
- Warning:** A triangle with an exclamation mark.
- Time:** A clock icon with the text "90'" below it, indicating a 90-minute assembly time.
- Personnel:** A person icon with the number "2" below it, indicating that two people are required for assembly.
- Diagram:** A circular icon shows a rectangular block being placed on a textured surface. A second diagram shows the block being lifted, with a diagonal line through it, indicating that the block should not be lifted or moved in a certain way.

1/8



1



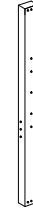
x 1

2



x 1

3



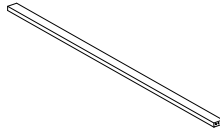
x 1

4



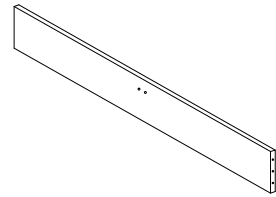
x 1

5



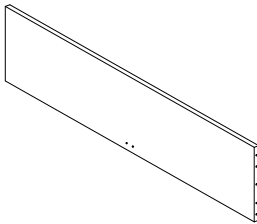
x 4

6



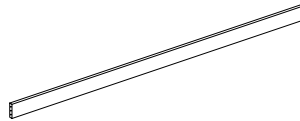
x 1

7



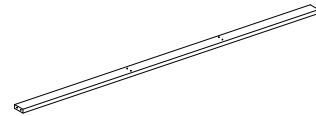
x 1

8



x 2

9



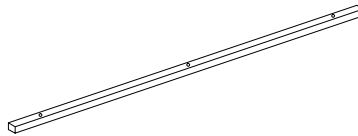
x 1

10



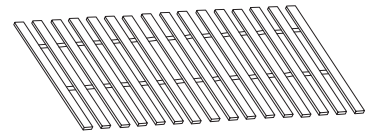
x 2

11



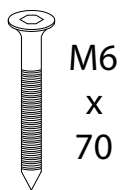
x 2

12



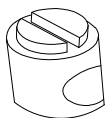
x 2

A



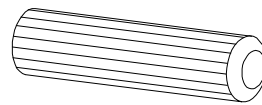
x 26

B



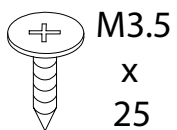
x 34

C



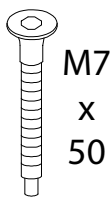
x 18

D



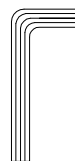
x 18

E



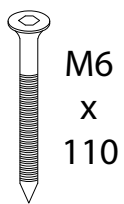
x 6

F



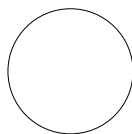
x 1

G



x 8

H



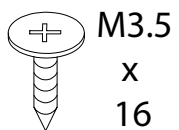
x 34

I



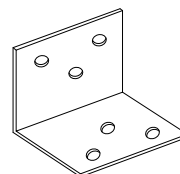
x 4

J

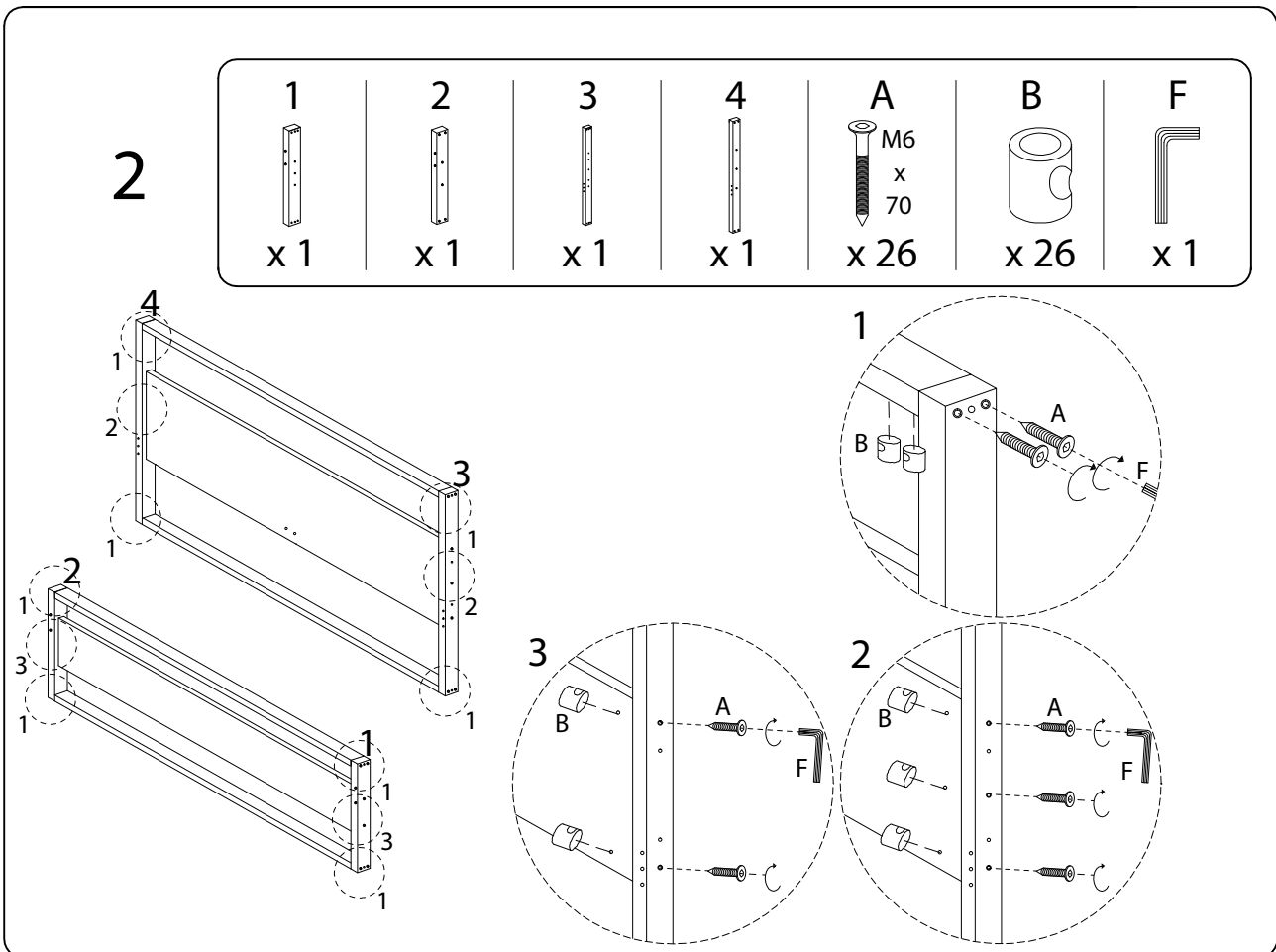
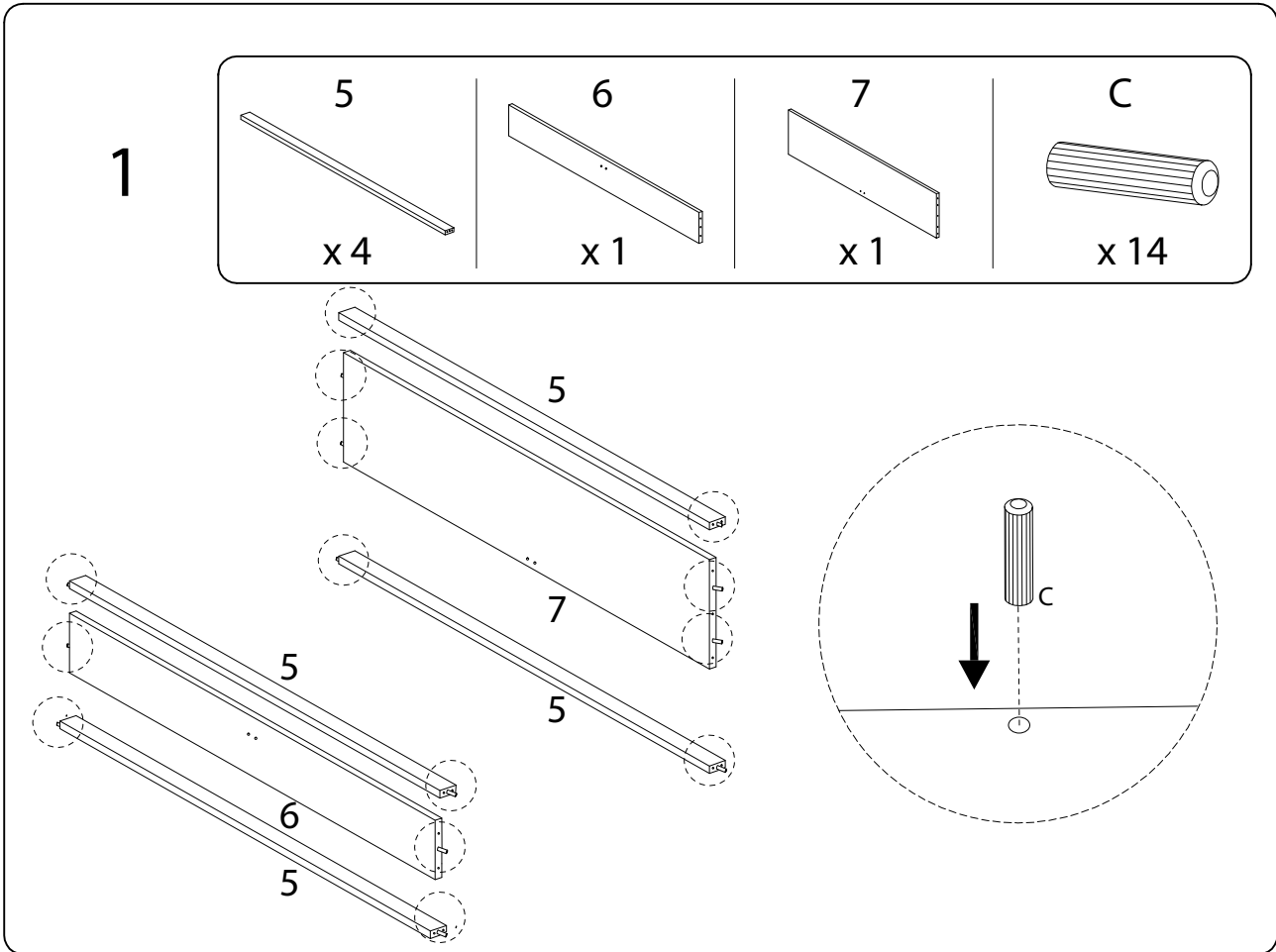


x 6

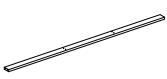

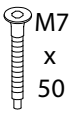
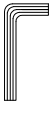

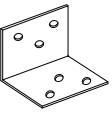
K

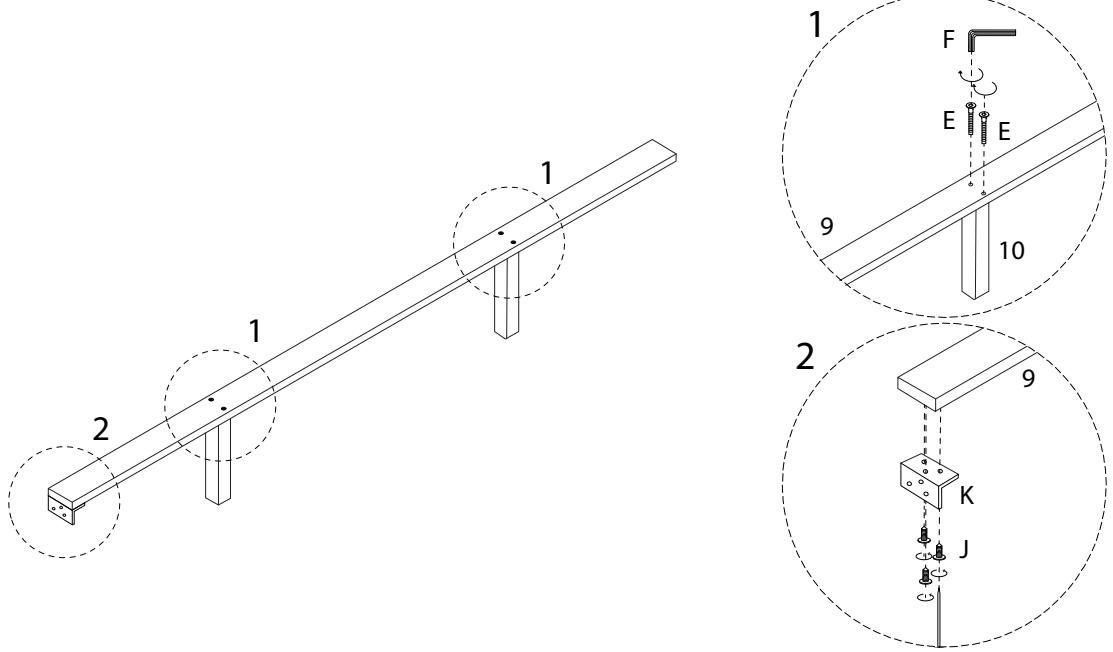


x 1

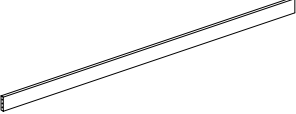
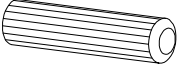


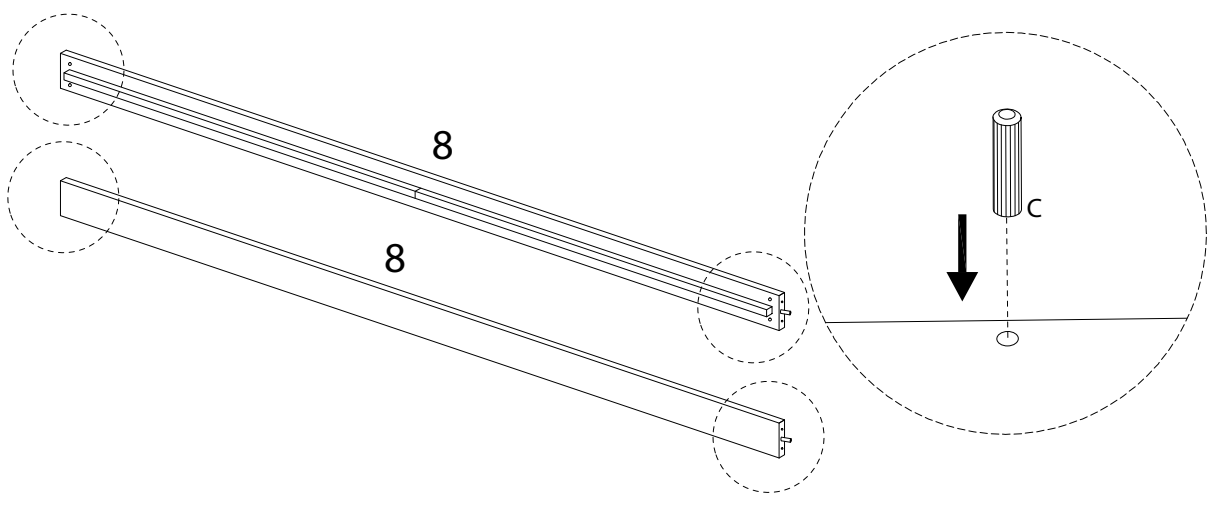
3

<p>9</p>  <p>x 1</p>	<p>10</p>  <p>x 2</p>	<p>E</p>  <p>M7 x 50</p> <p>x 4</p>	<p>F</p>  <p>x 1</p>	<p>J</p>  <p>M3.5 x 16</p> <p>x 3</p>	<p>K</p>  <p>x 1</p>
---	--	--	--	--	---

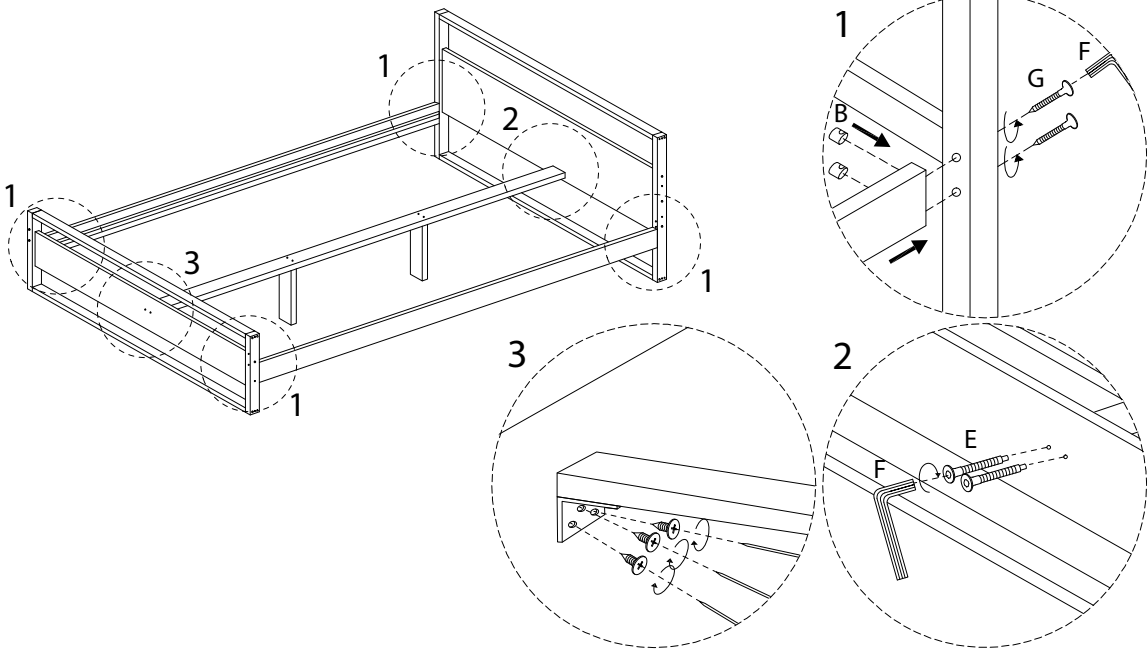
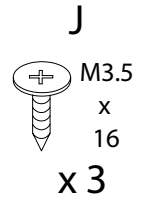
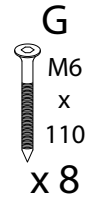
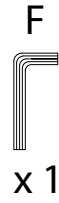
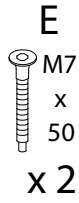
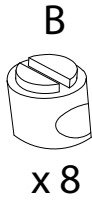


4

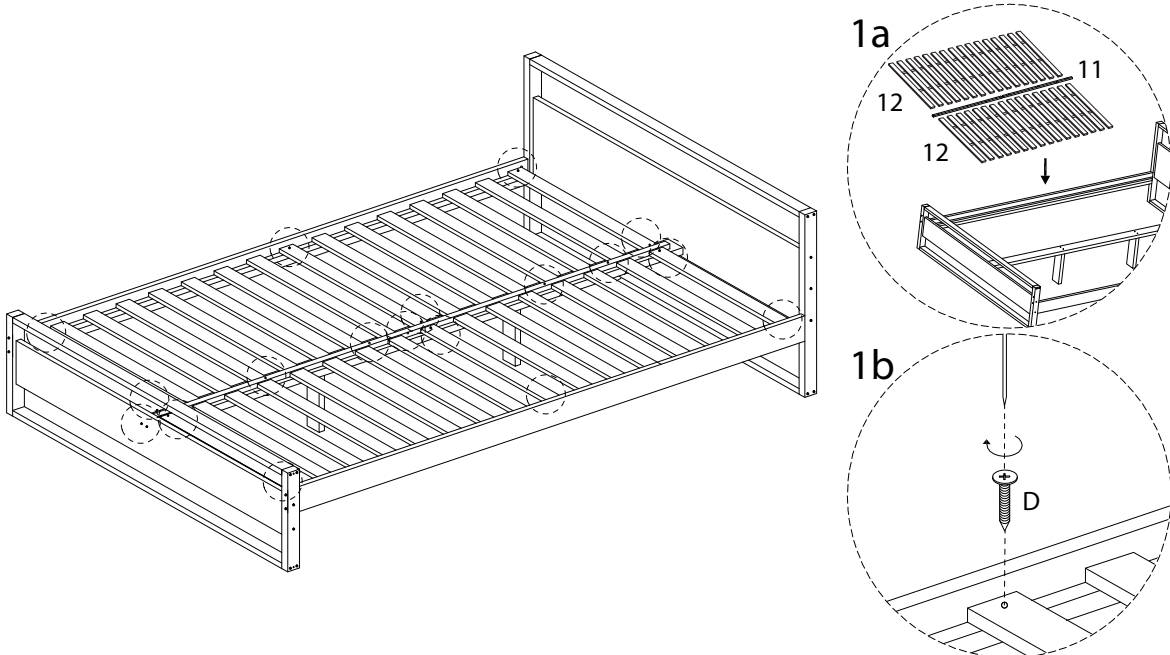
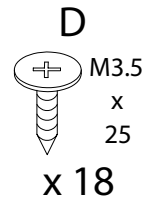
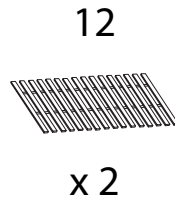
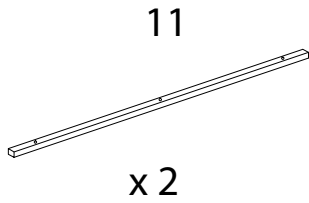
<p>8</p>  <p>x 2</p>	<p>C</p>  <p>x 4</p>
---	---



5



6



7

