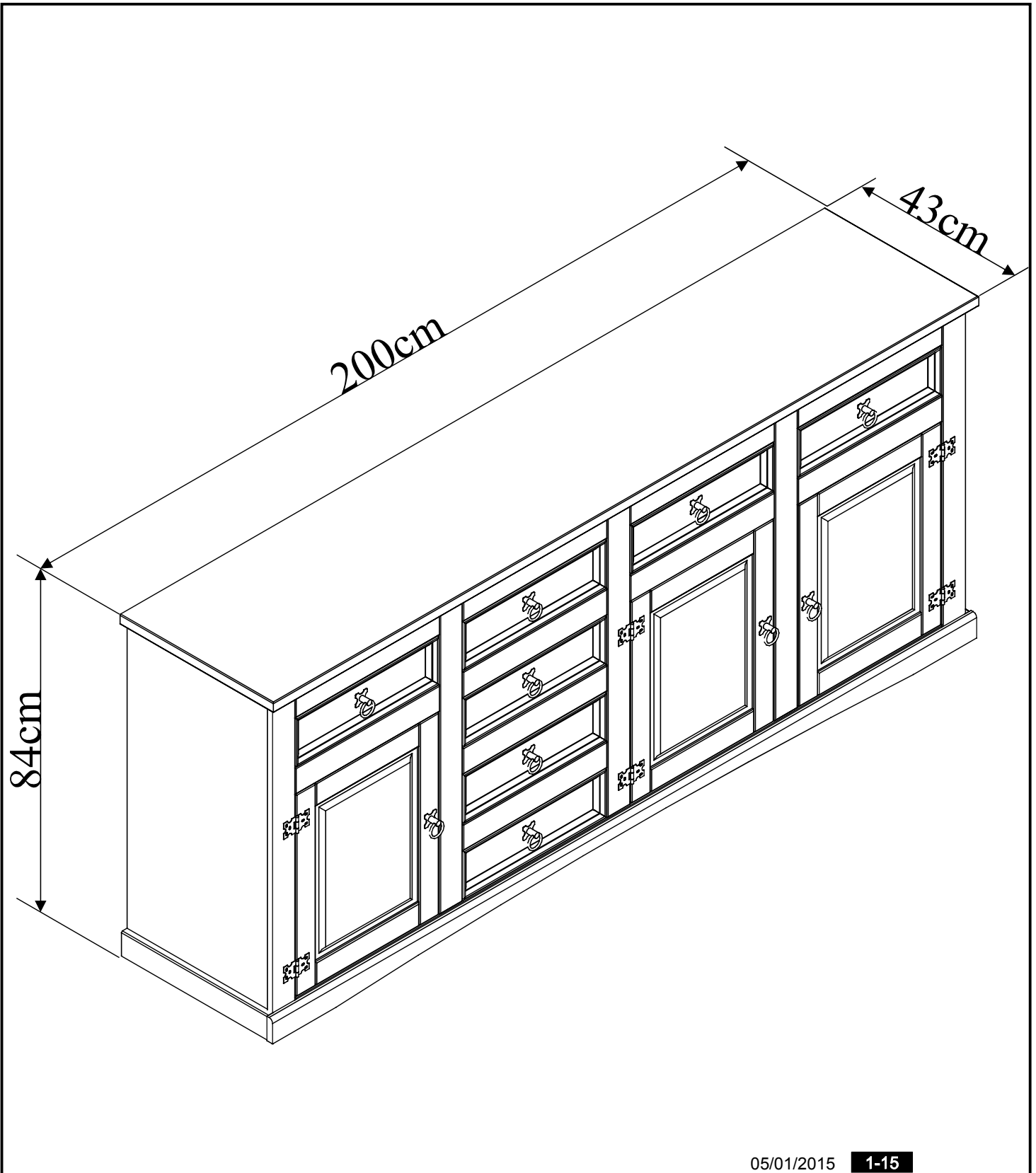
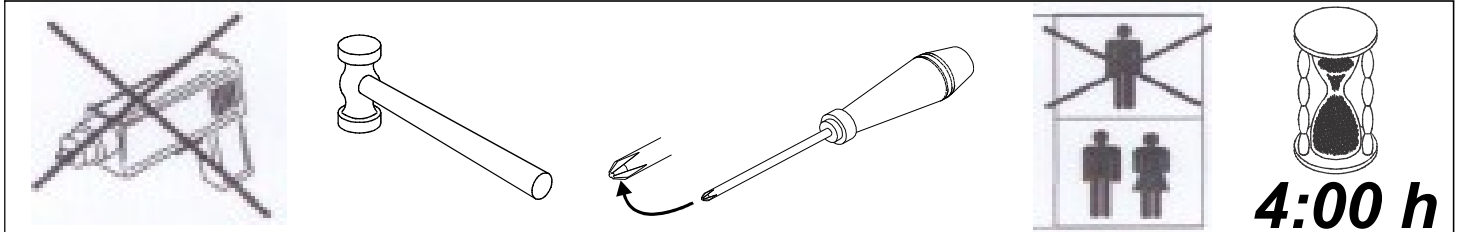
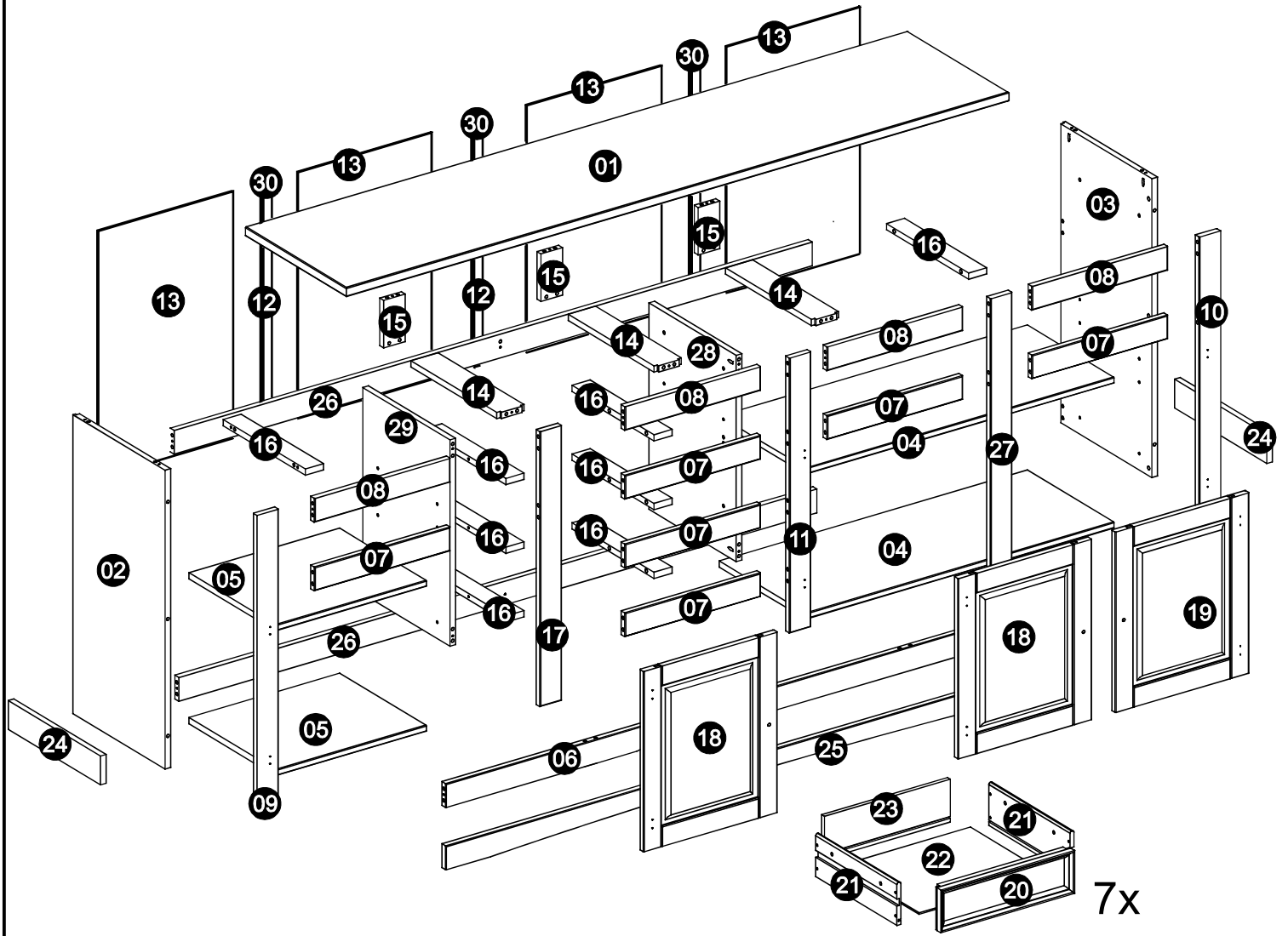
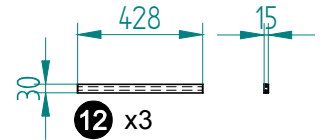
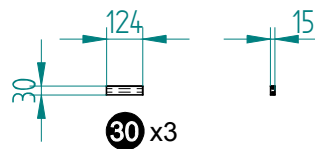
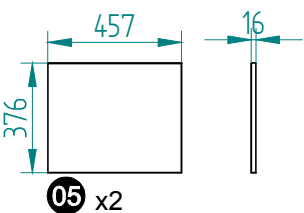
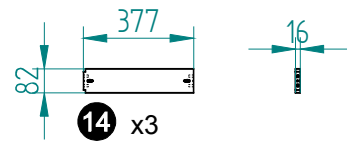
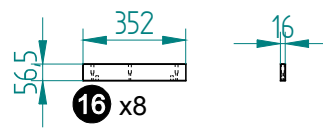
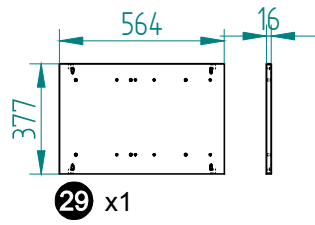
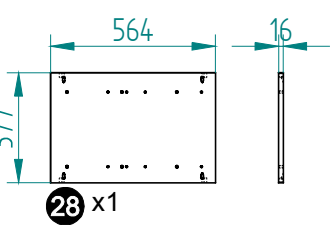
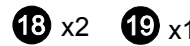
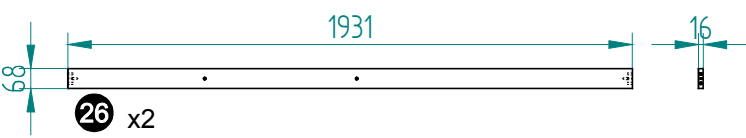
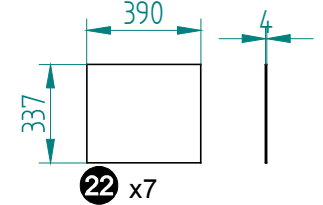
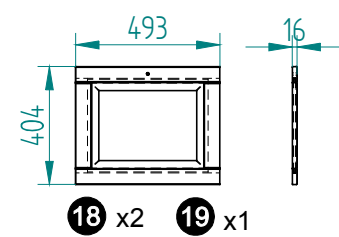
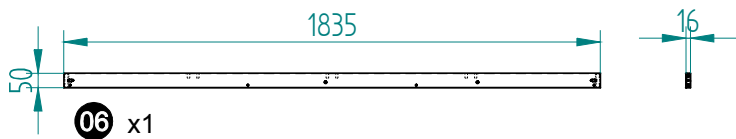
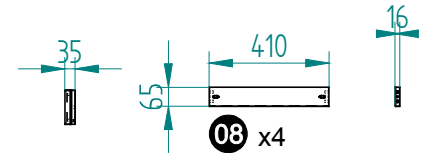
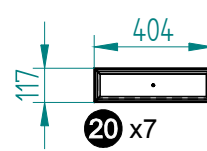
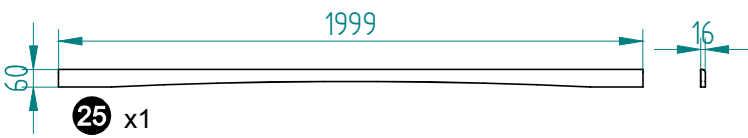
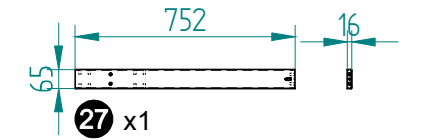
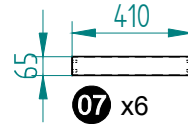
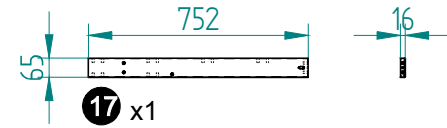
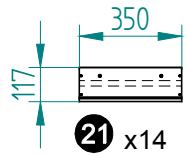
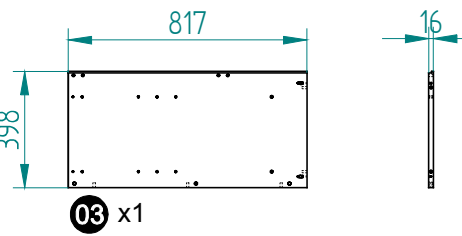
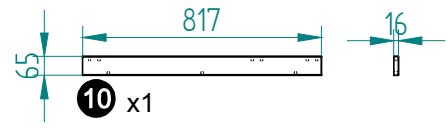
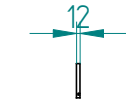
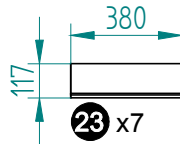
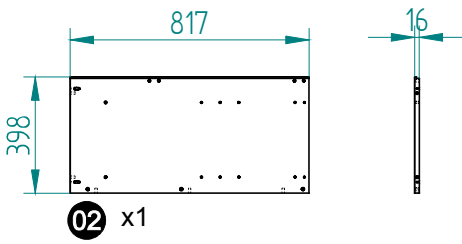
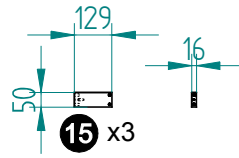
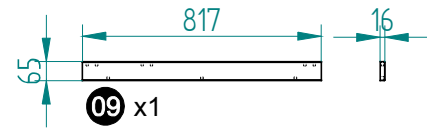
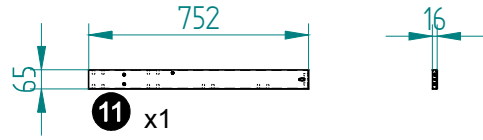
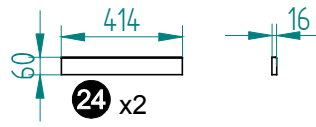
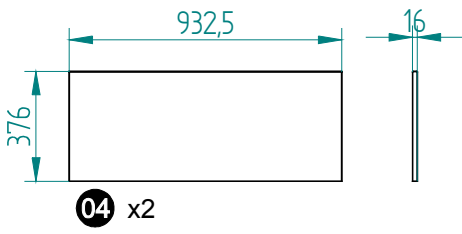
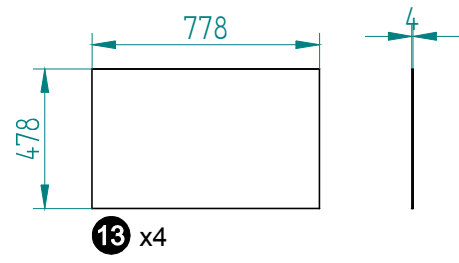
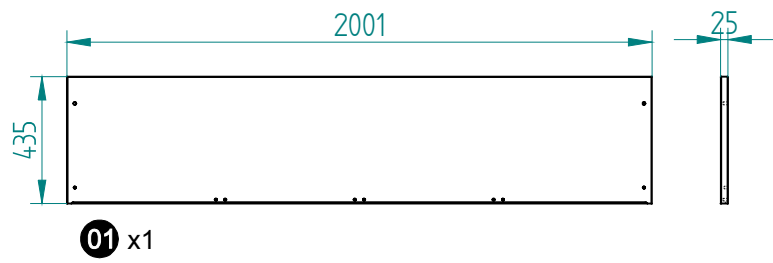
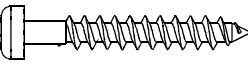



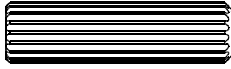

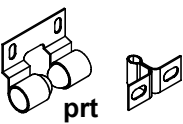
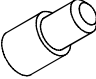

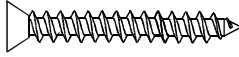
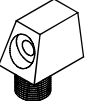

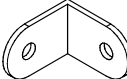
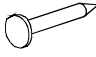


24-3790 / 24-3791 / 24-3792

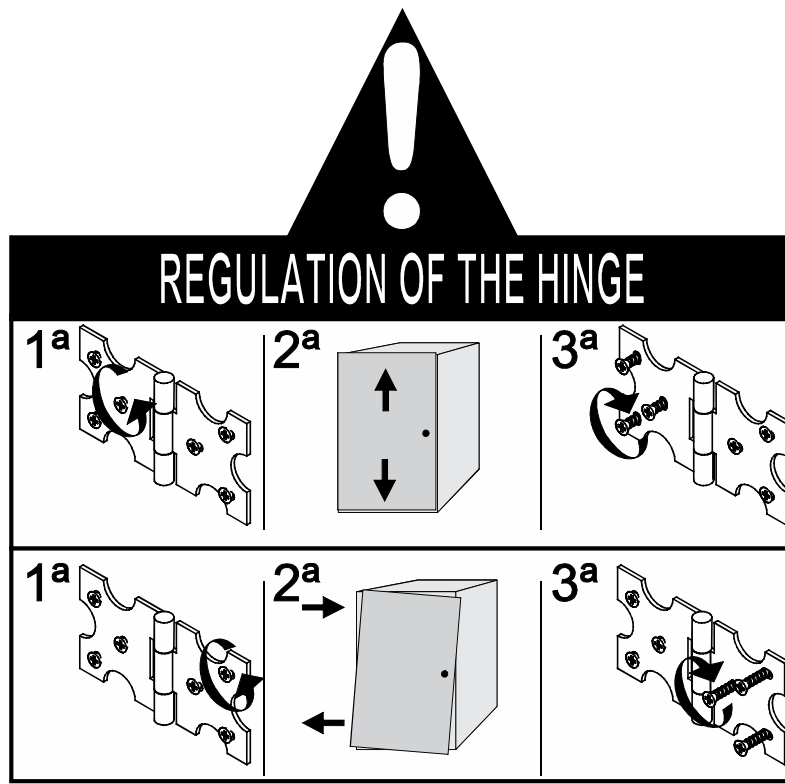




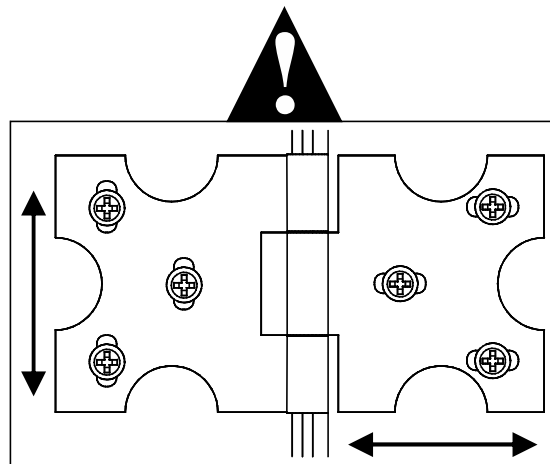


<p>A x 65</p>  <p>4,5X28</p>	<p>B x 46</p>  <p>3,5X14 prt</p>	<p>C x 06</p>  <p>3,0X16 prt</p>	<p>D x 02</p>  <p>20g</p>	<p>E x 124</p>  <p>8,0x25</p>
<p>F x 10</p> 	<p>G x 03</p>  <p>prt</p>	<p>H x 16</p> 	<p>J x 13</p>  <p>3,5X25</p>	<p>K x 56</p>  <p>3,5X30</p>
<p>L x 12</p> 	<p>M x 06</p>  <p>32x32</p>	<p>N x 02</p> 	<p>Z x 50</p>  <p>8 X 8</p>	



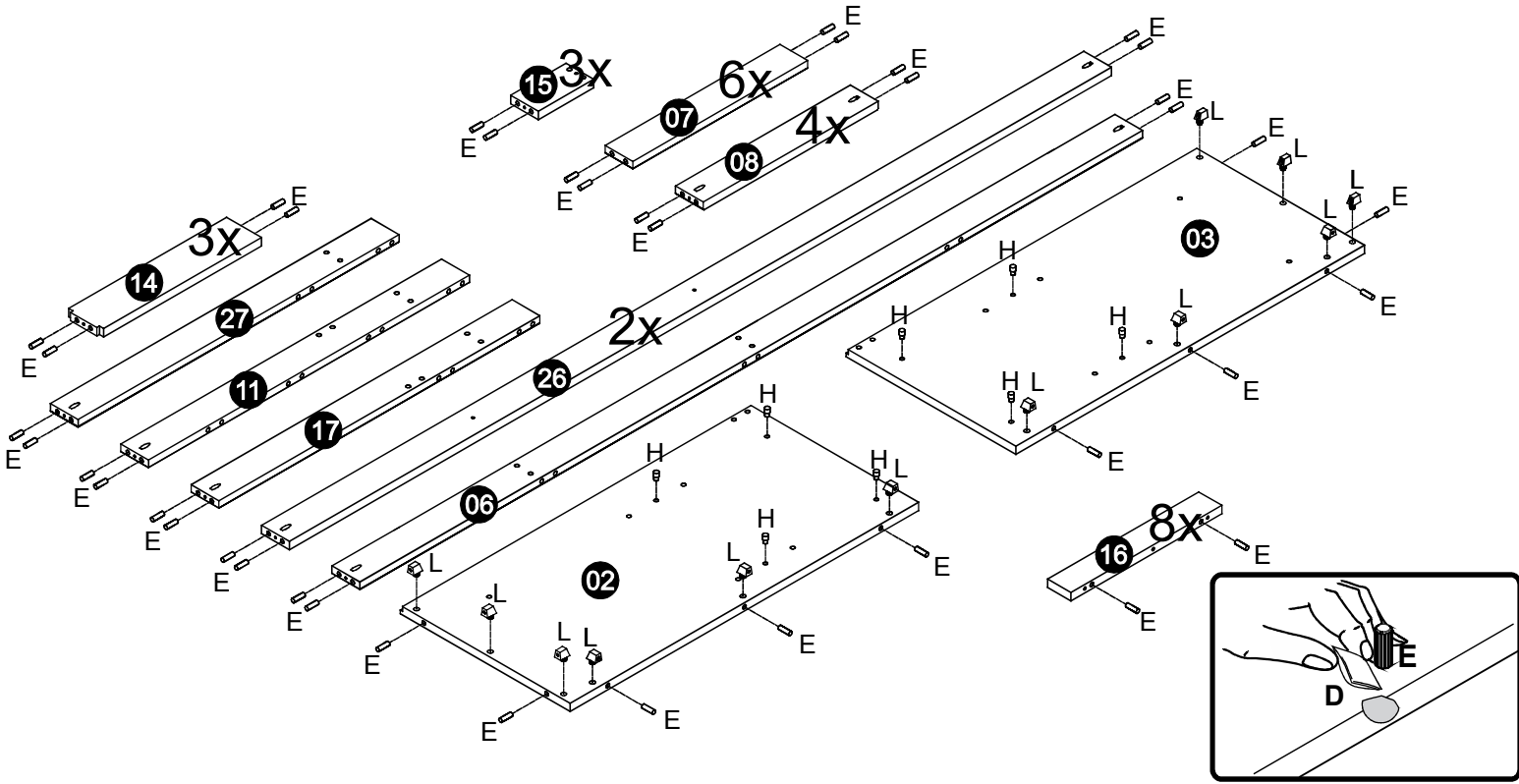
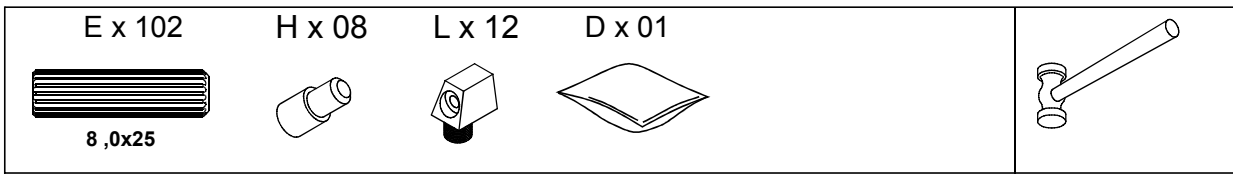


Cabinet
Schrankseite
Skabsside

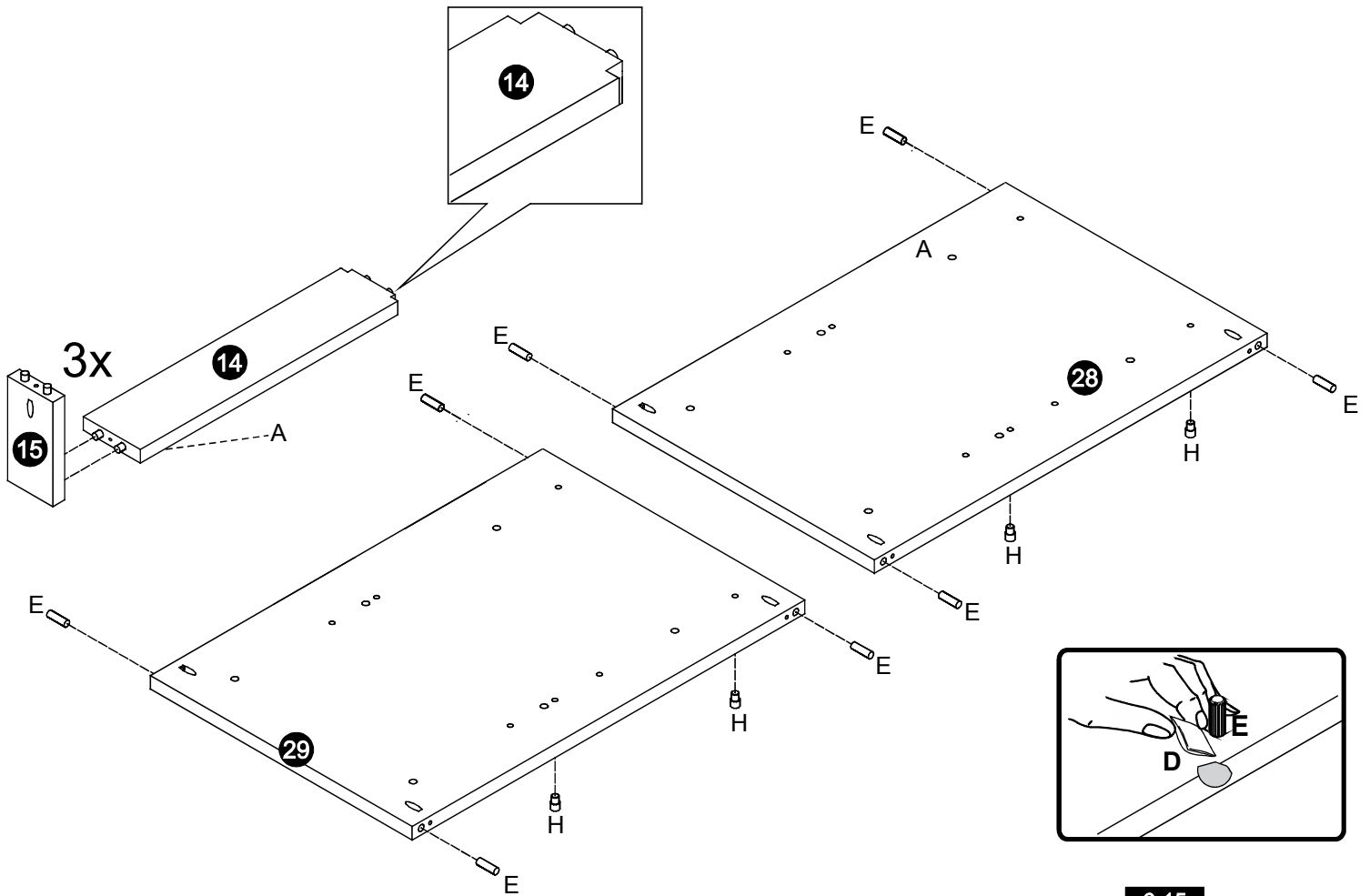
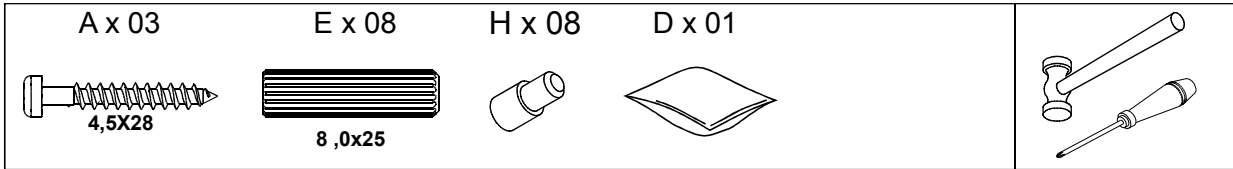


Door
Schranktür
Låge

1

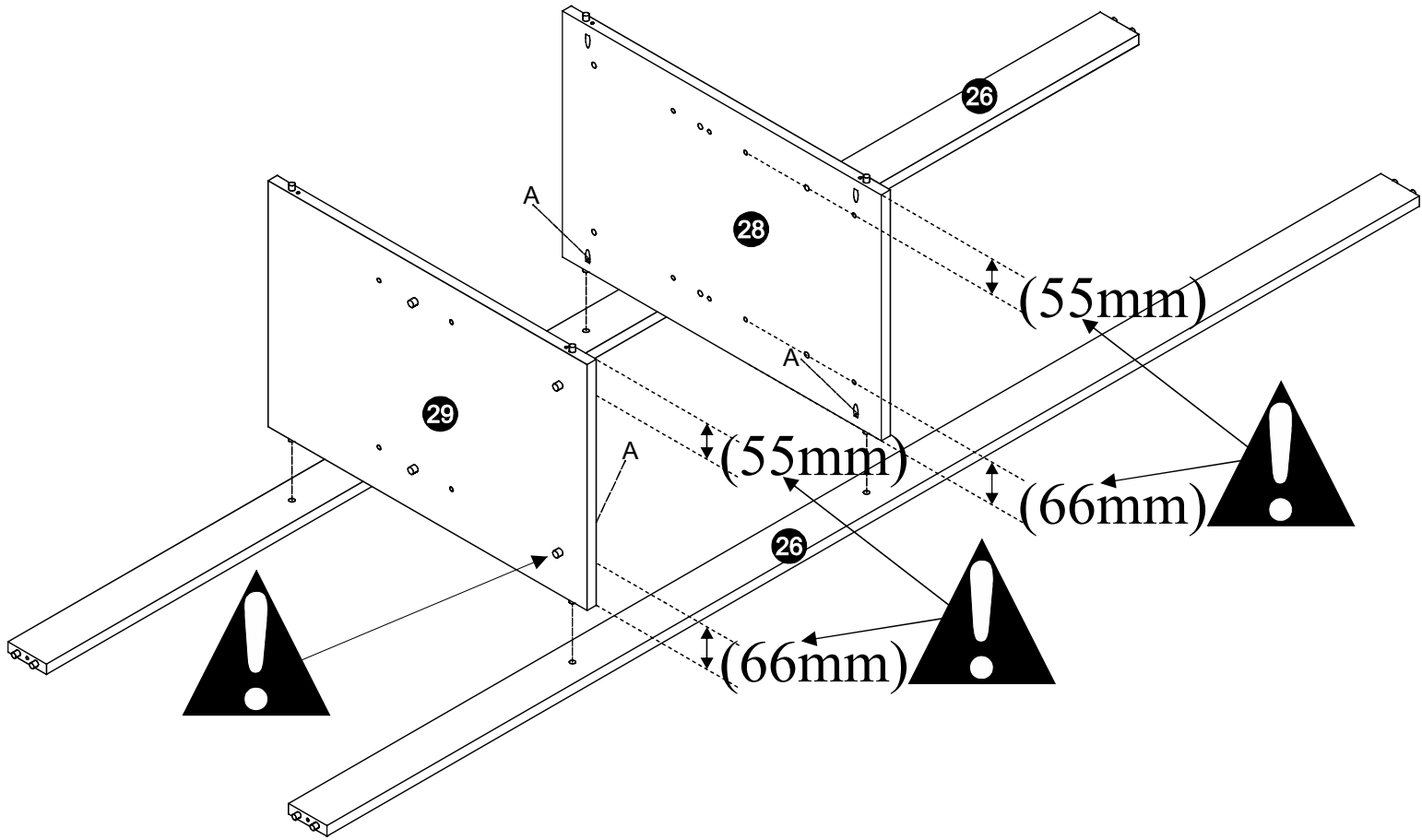
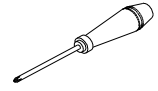
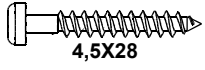


2



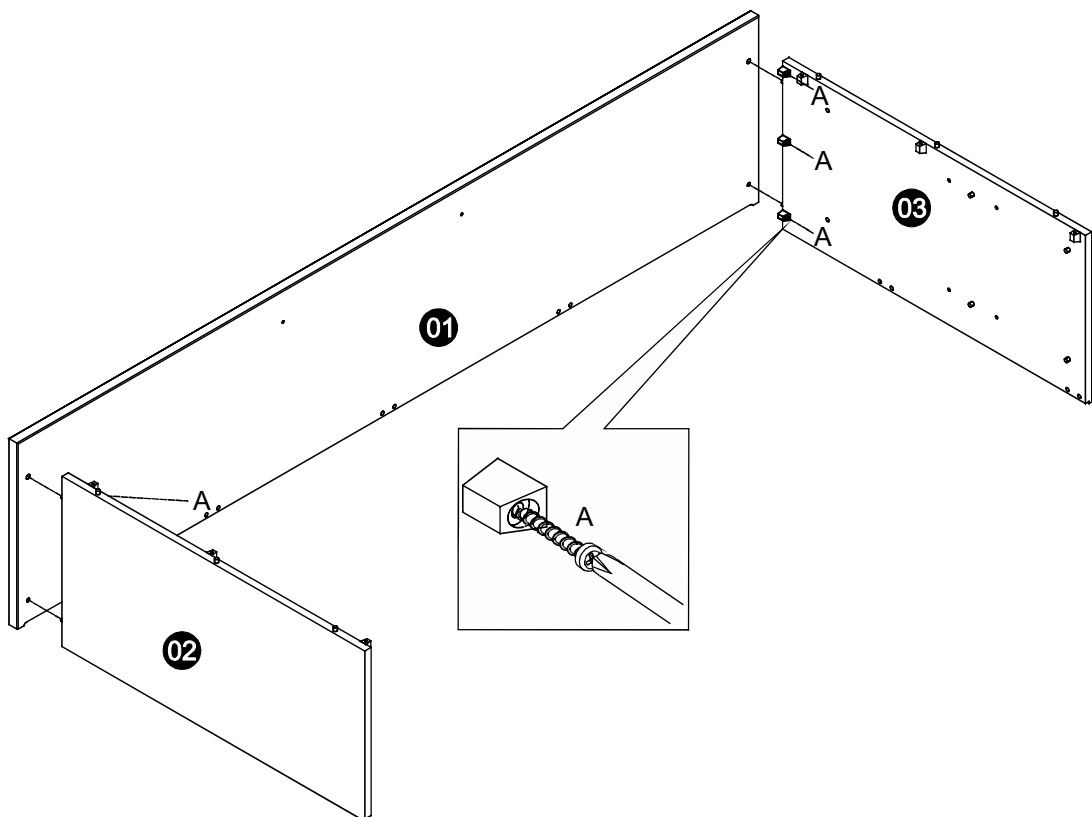
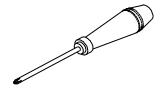
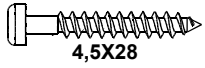
3

A x 04



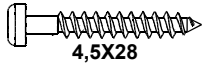
4

A x 06

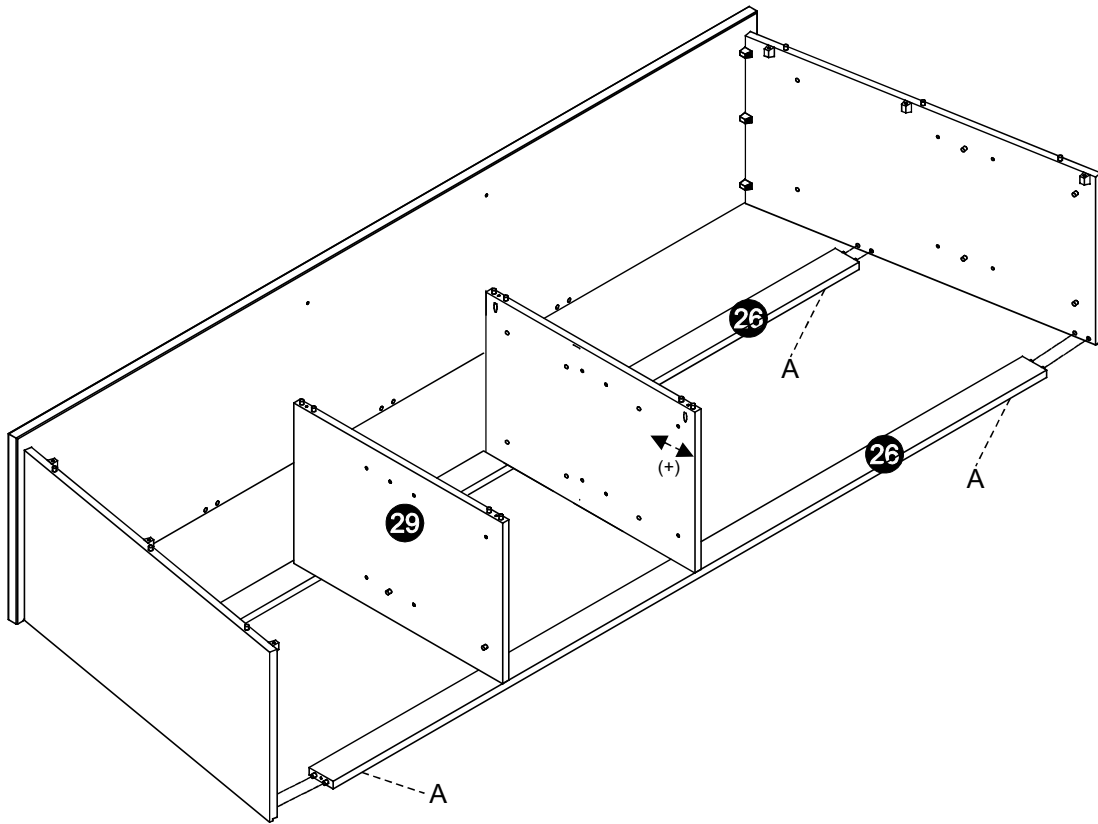
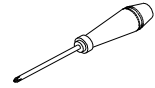


5

A x 04

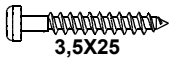


4,5X28

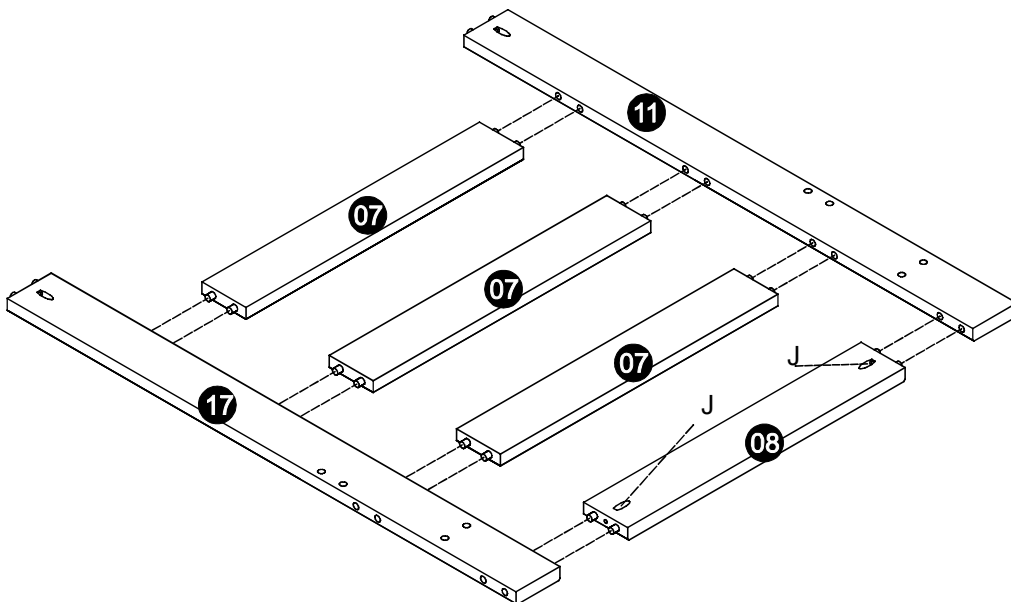
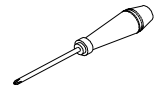


6

J x 02

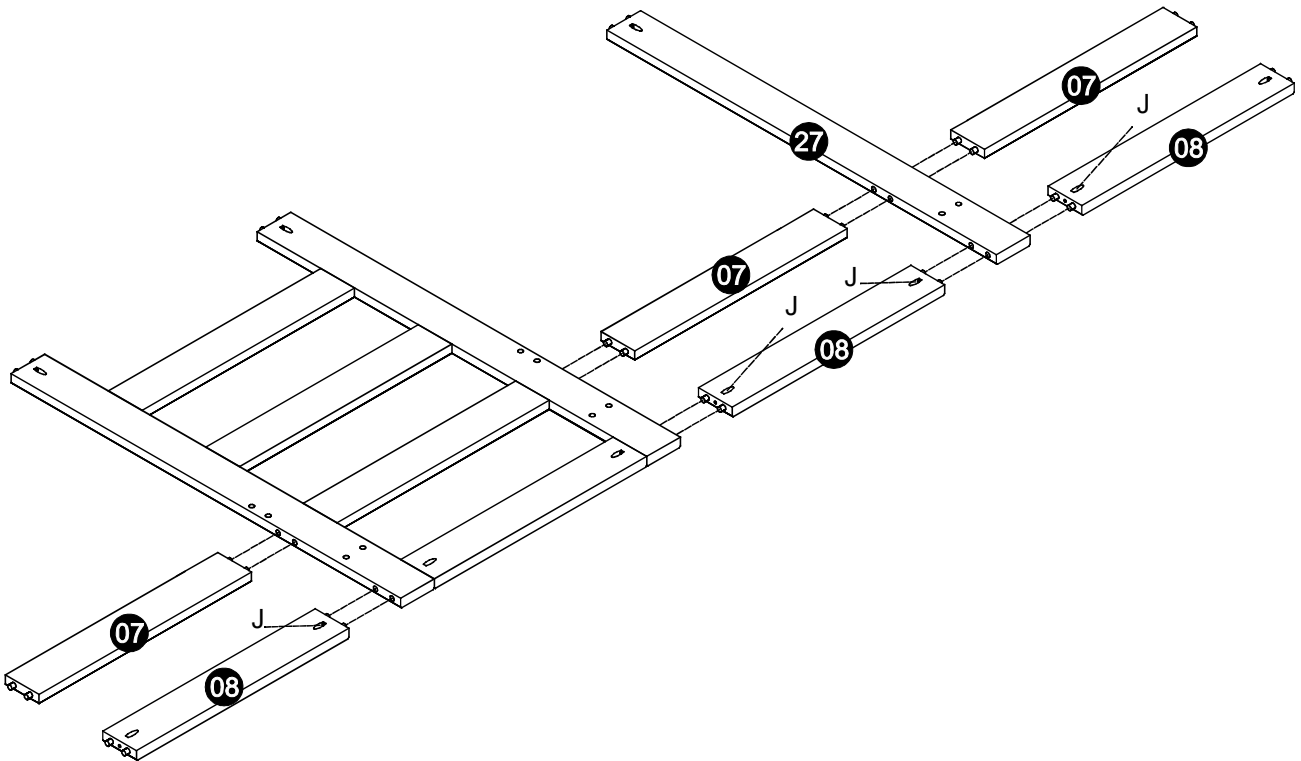
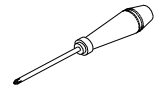
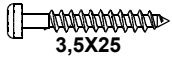


3,5X25



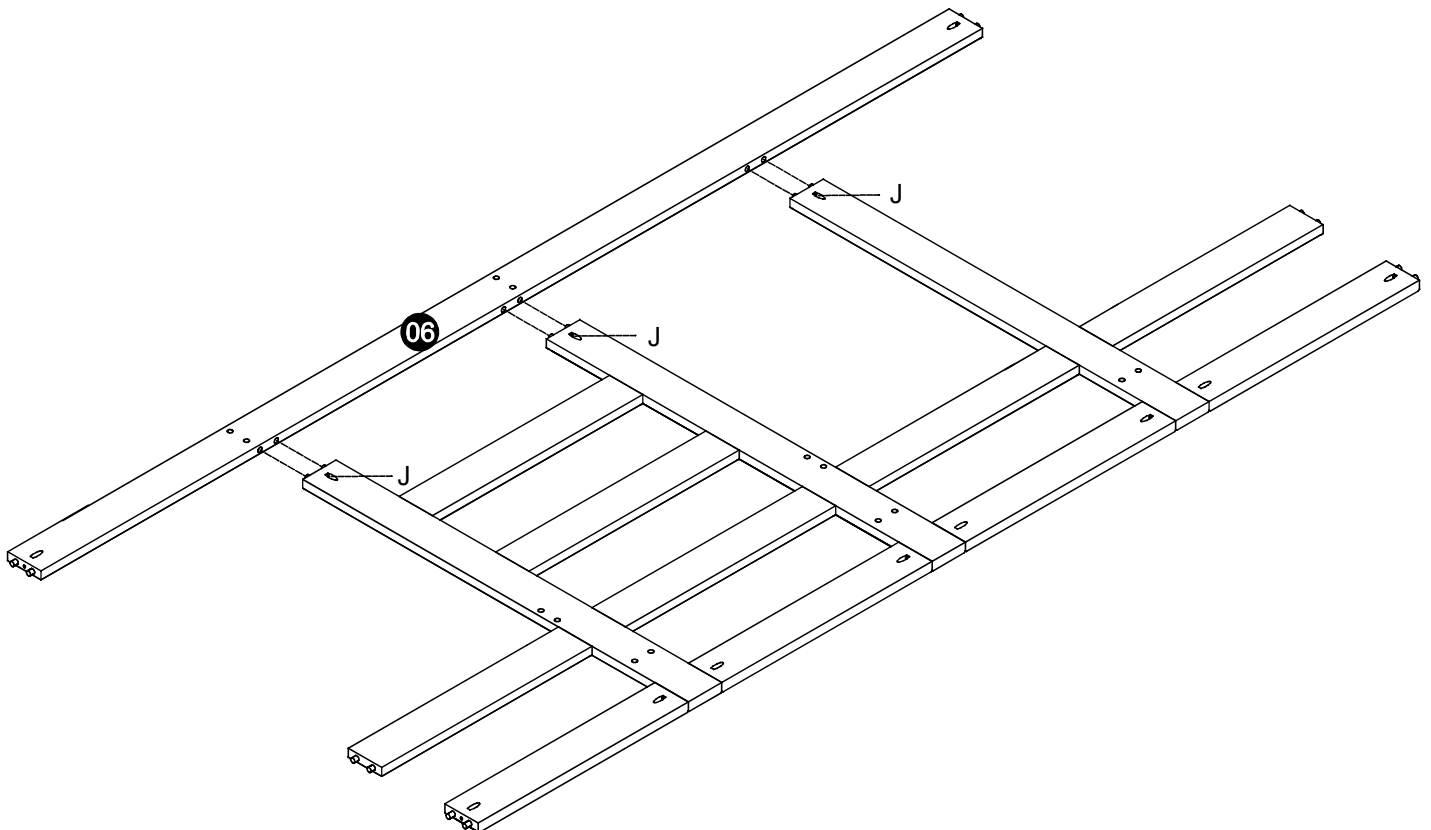
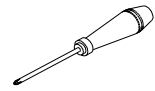
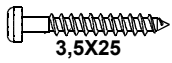
7

J x 04



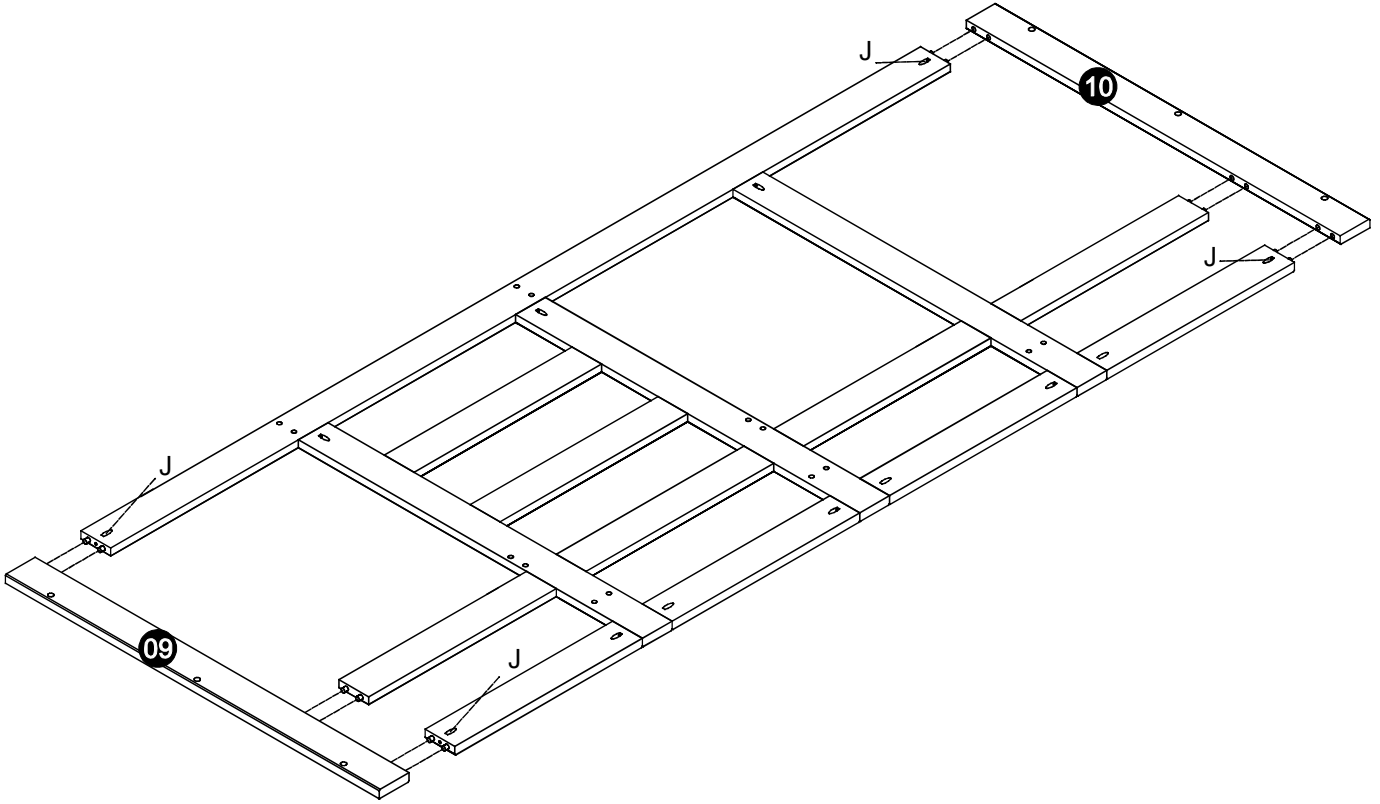
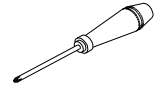
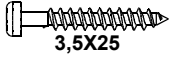
8

J x 03



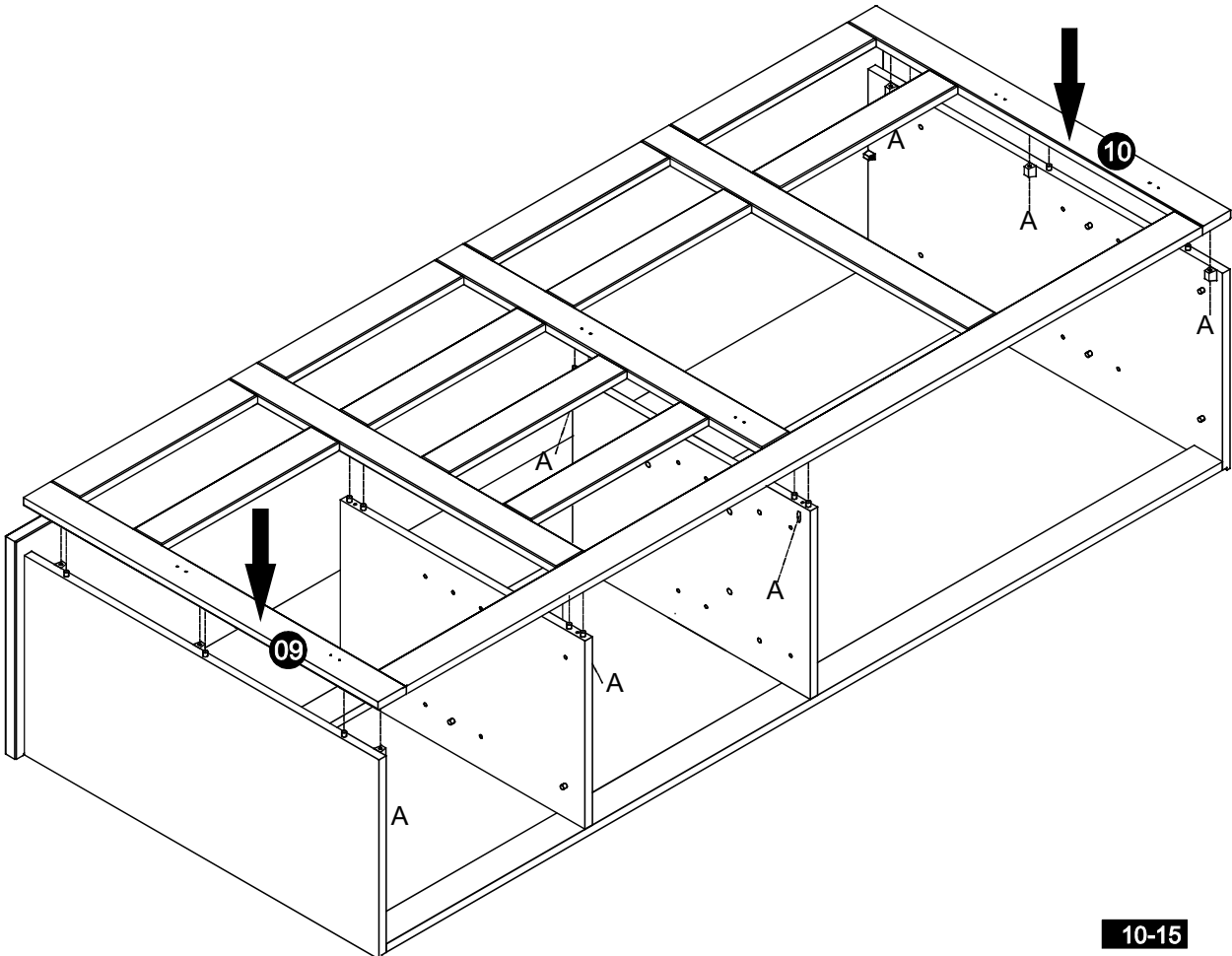
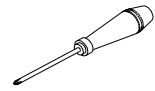
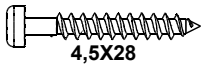
9

J x 04



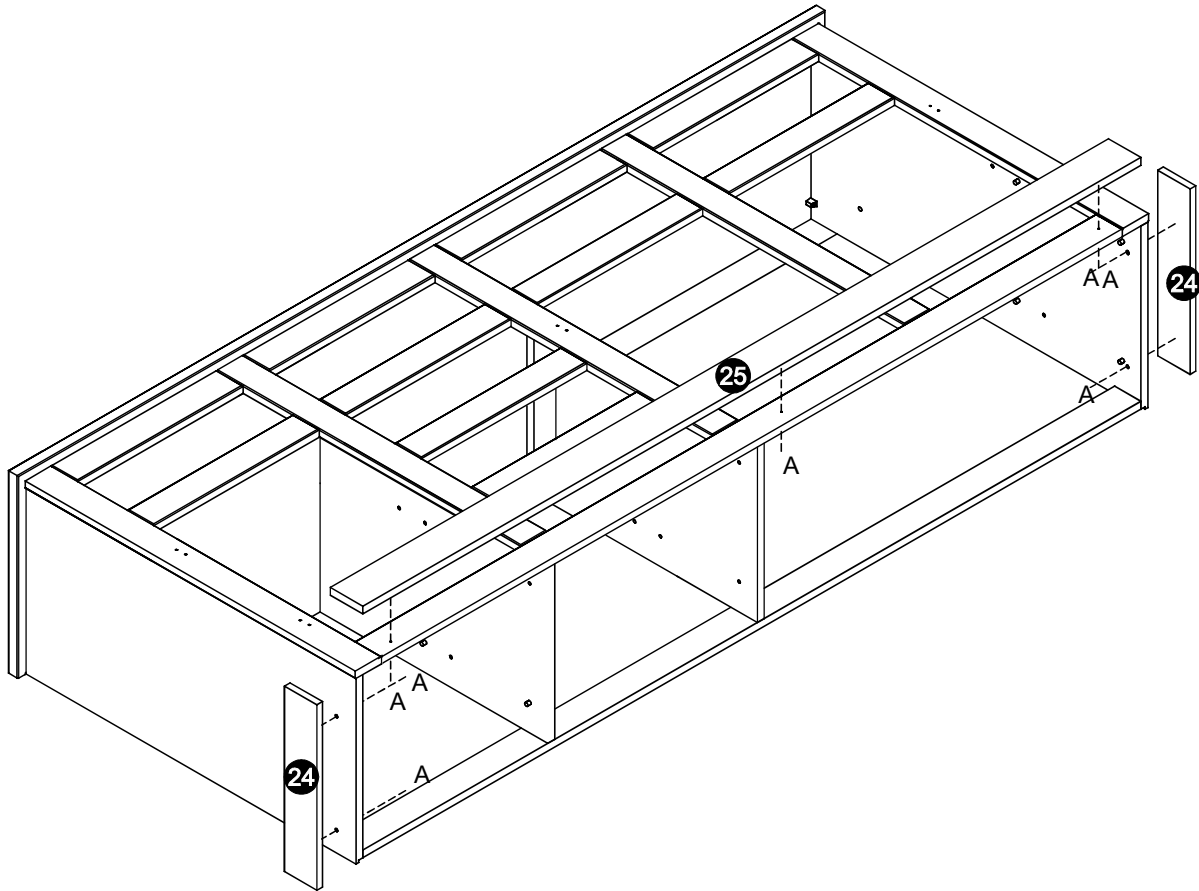
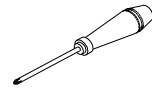
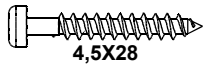
10

A x 10



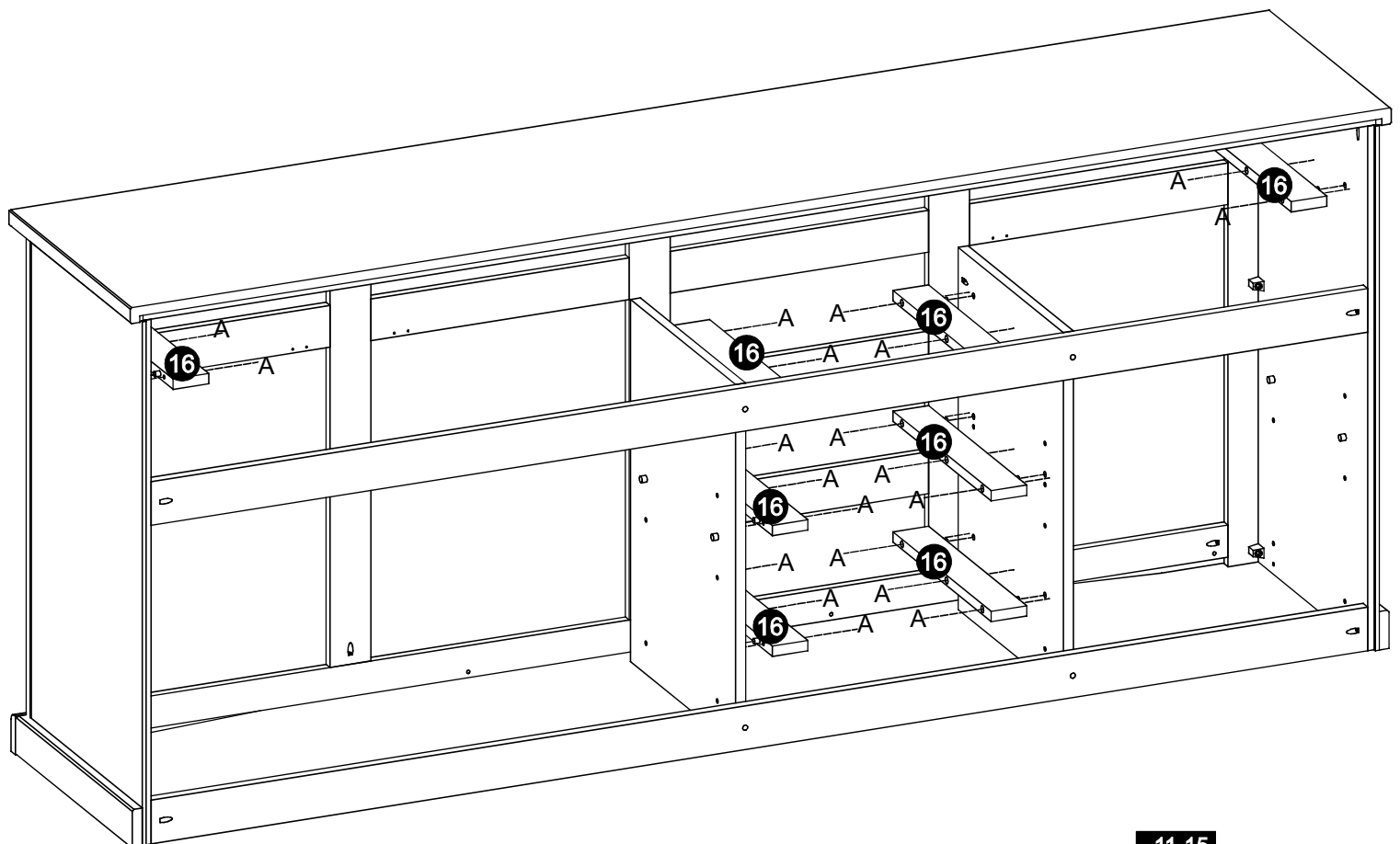
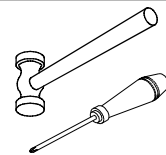
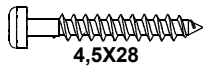
11

A x 08

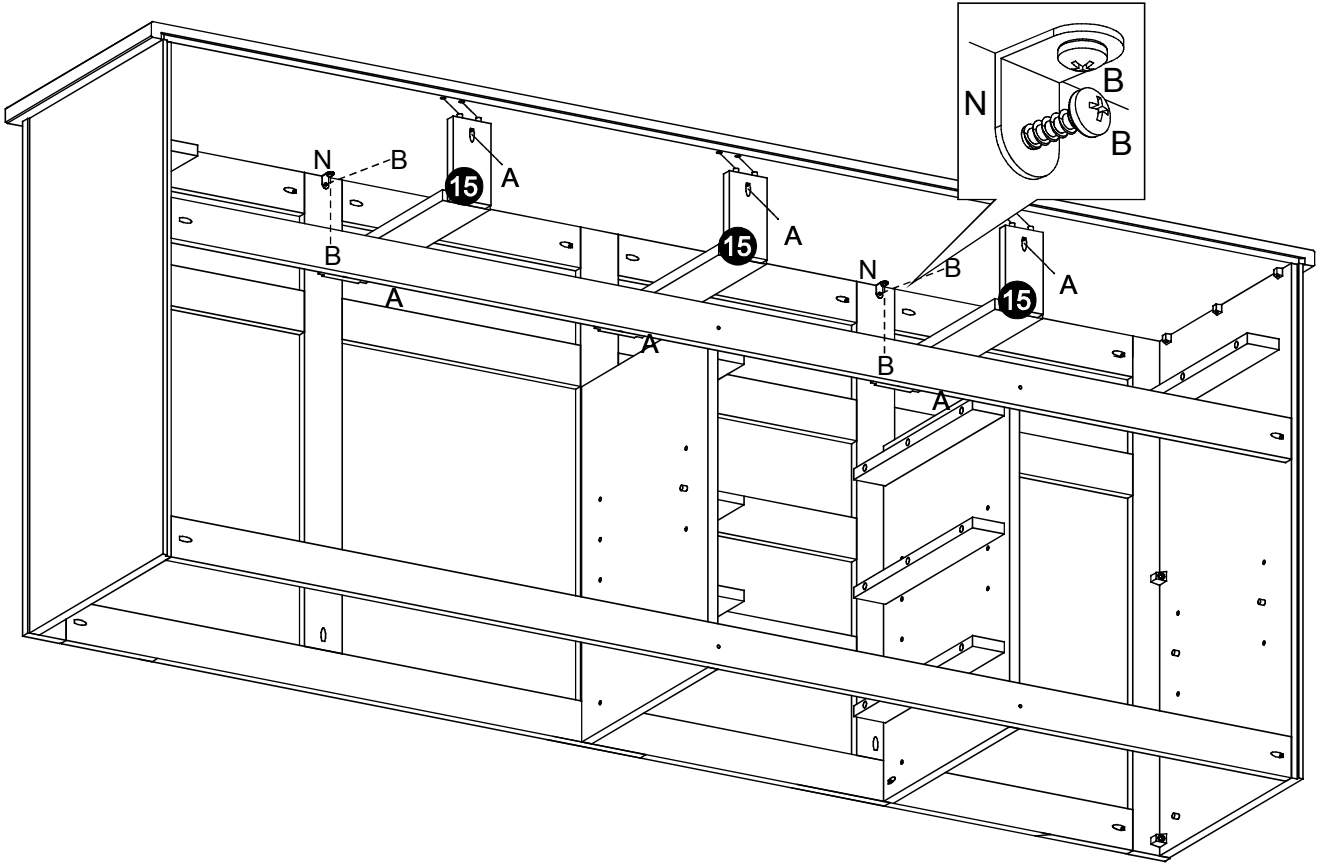
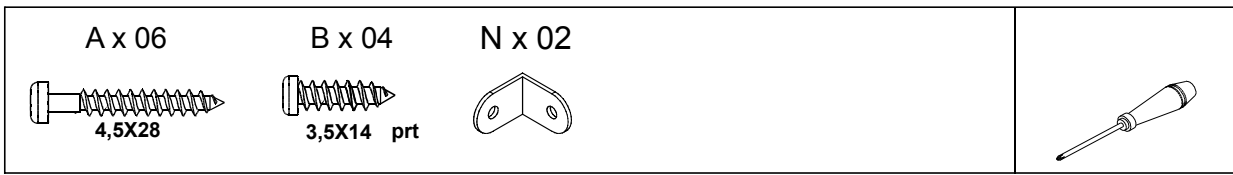


12

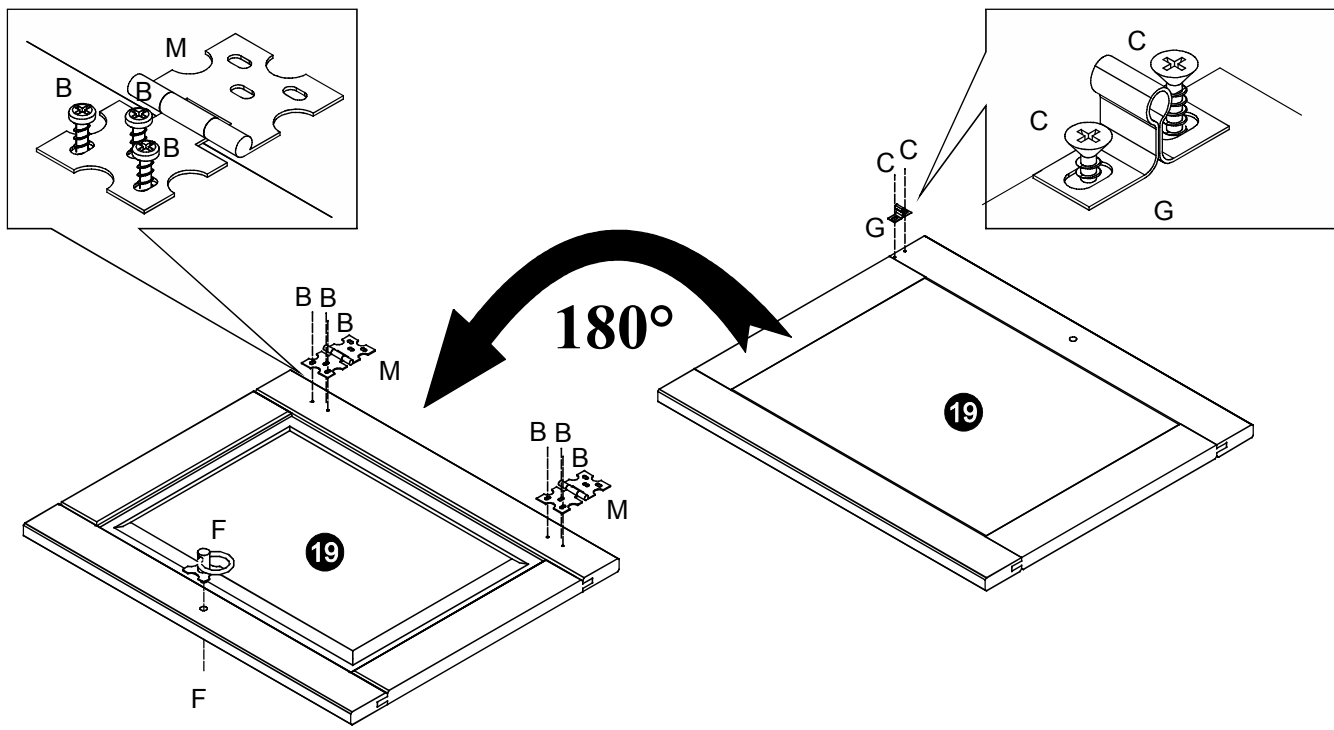
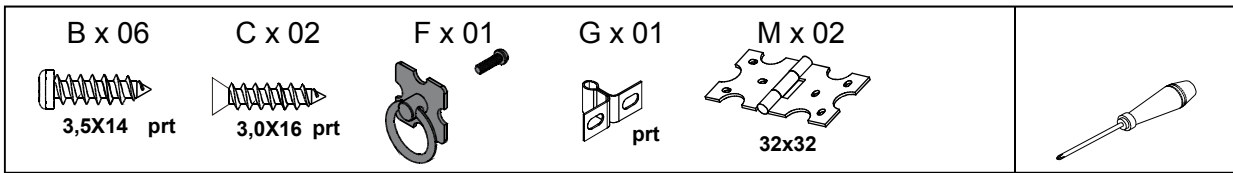
A x 24



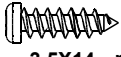
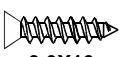



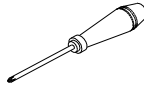
13

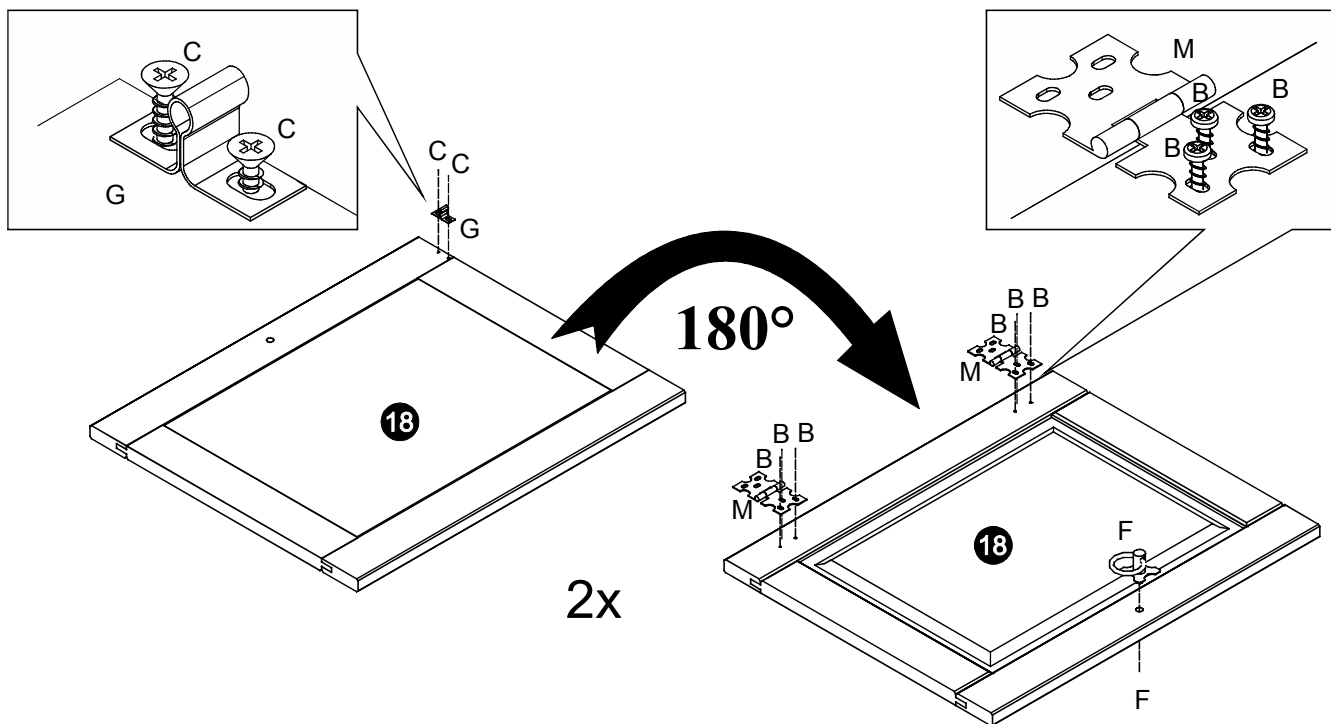


14



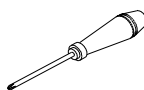


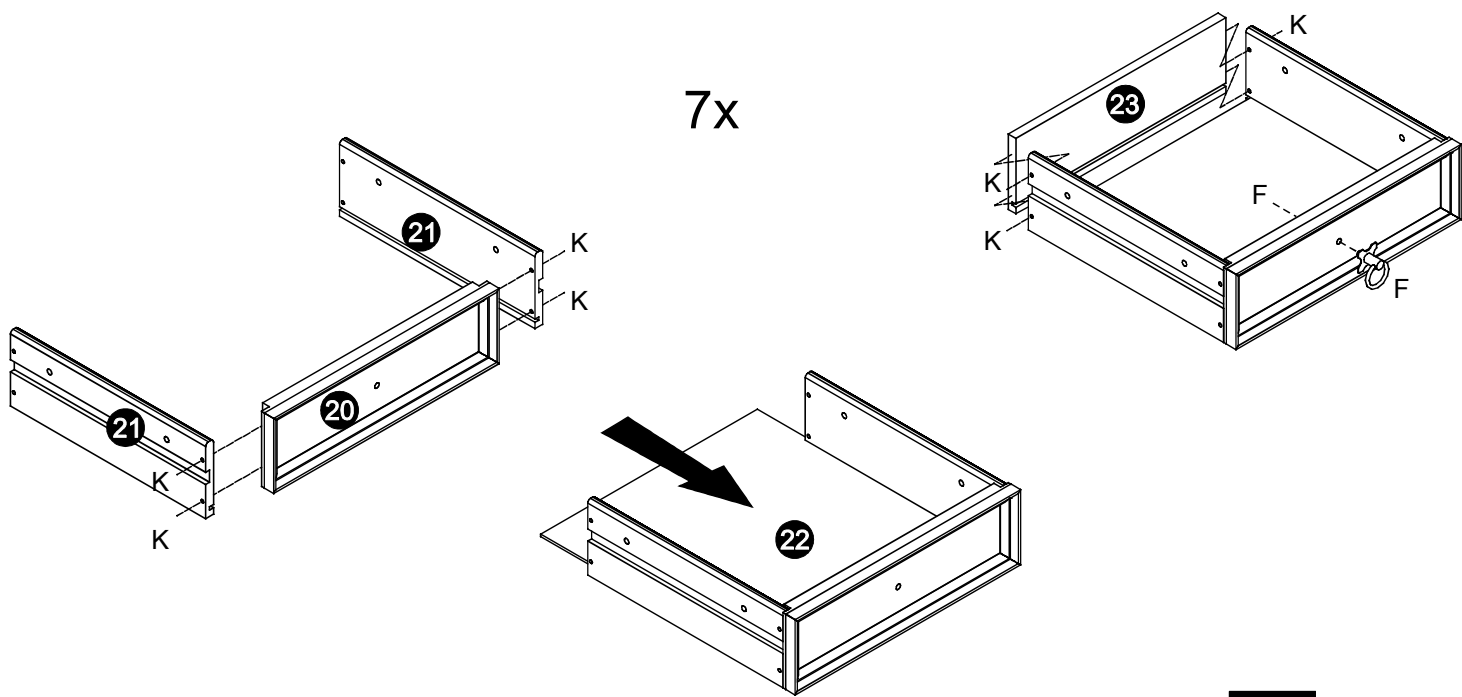
15

<p>B x 12</p>  <p>3,5X14 prt</p>	<p>C x 04</p>  <p>3,0X16 prt</p>	<p>F x 02</p> 	<p>G x 02</p>  <p>prt</p>	<p>M x 04</p>  <p>32x32</p>	
--	--	--	---	--	--



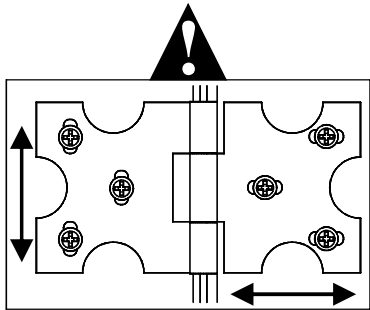
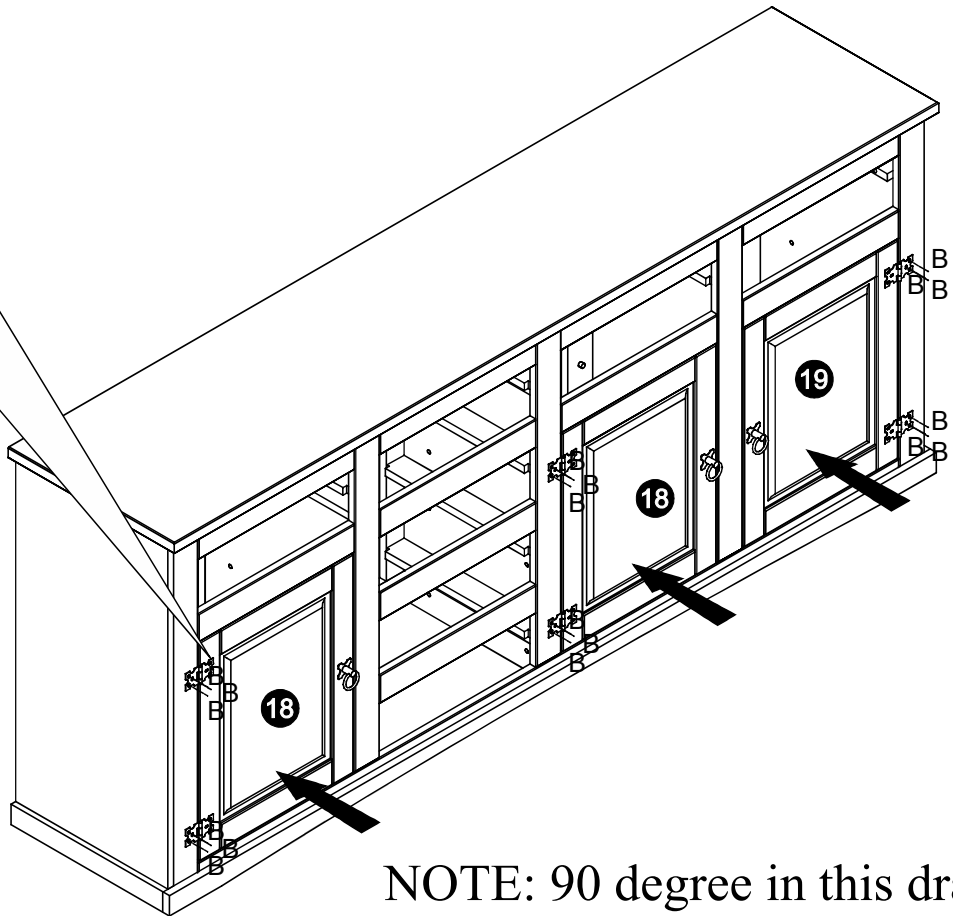
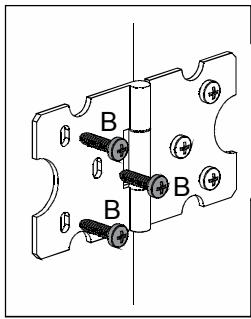
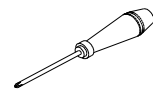
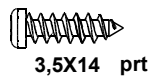
16

<p>F x 07</p> 	<p>K x 56</p>  <p>3,5X30</p>	
---	---	---



17

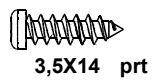
B x 18



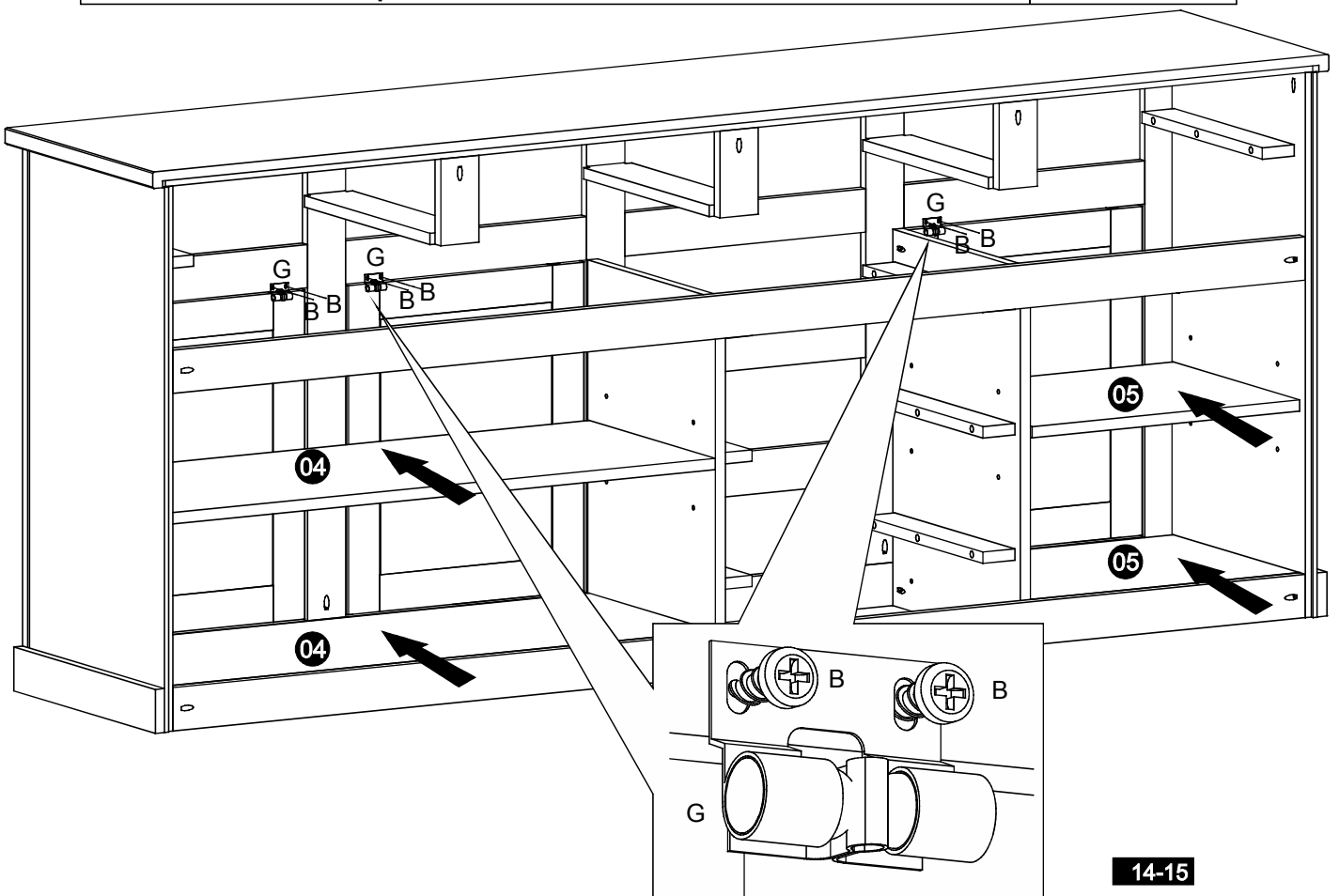
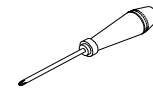
NOTE: 90 degree in this drawing

18

B x 06



G x 03

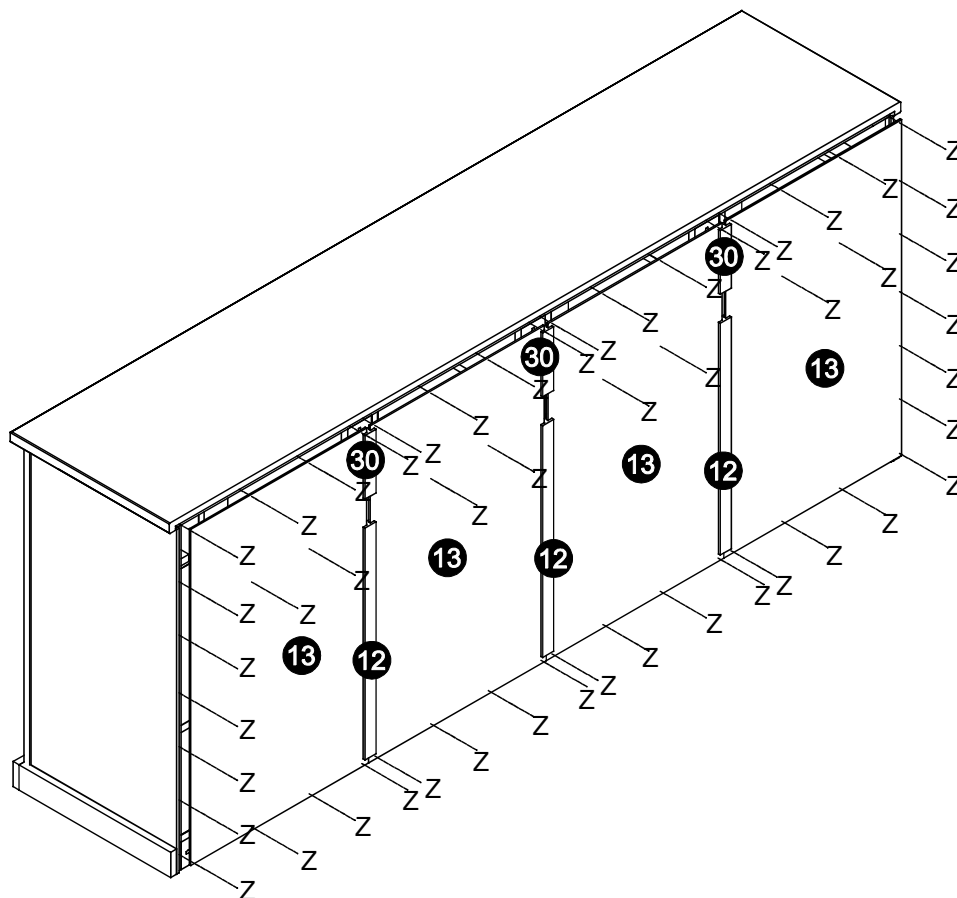
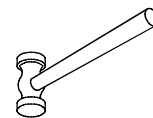


19

Z x 50



8 X 8



20

E x 14



8,0x25

