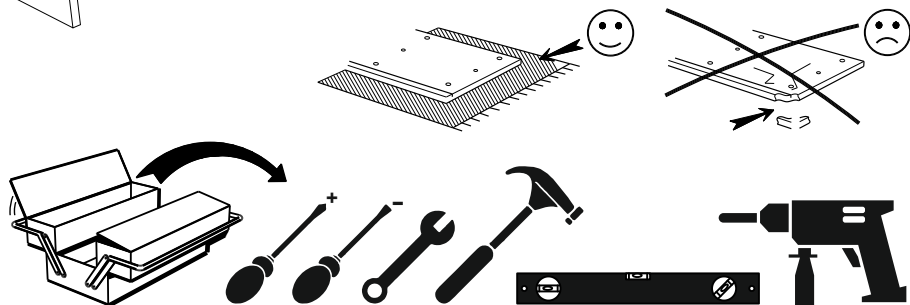
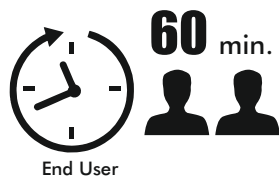
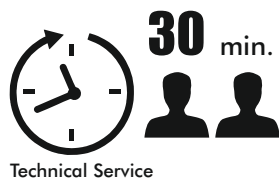
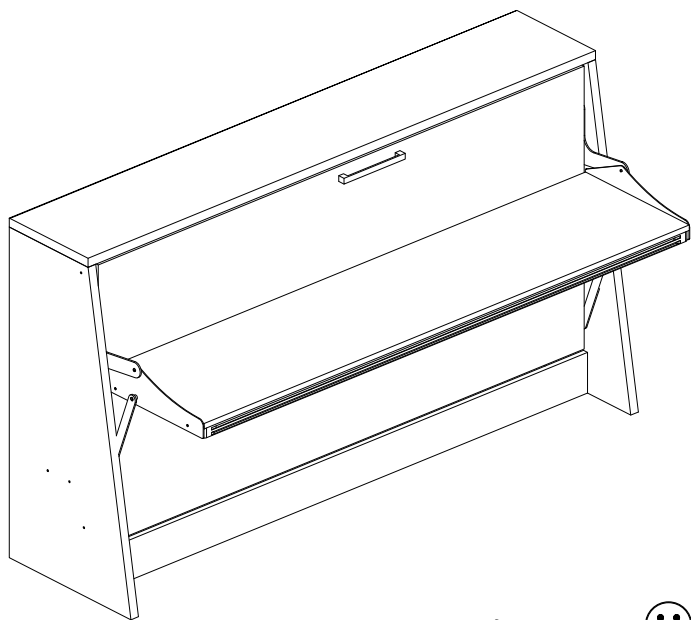




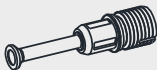

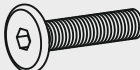
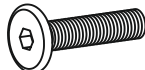
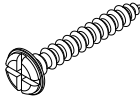
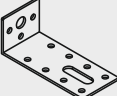
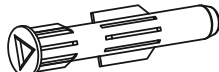






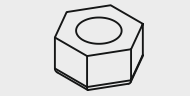



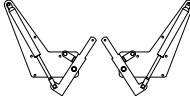
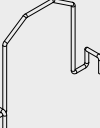
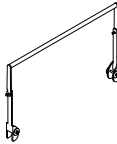


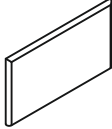

MULTIMO

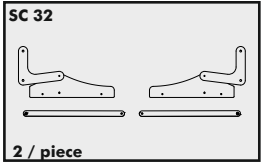
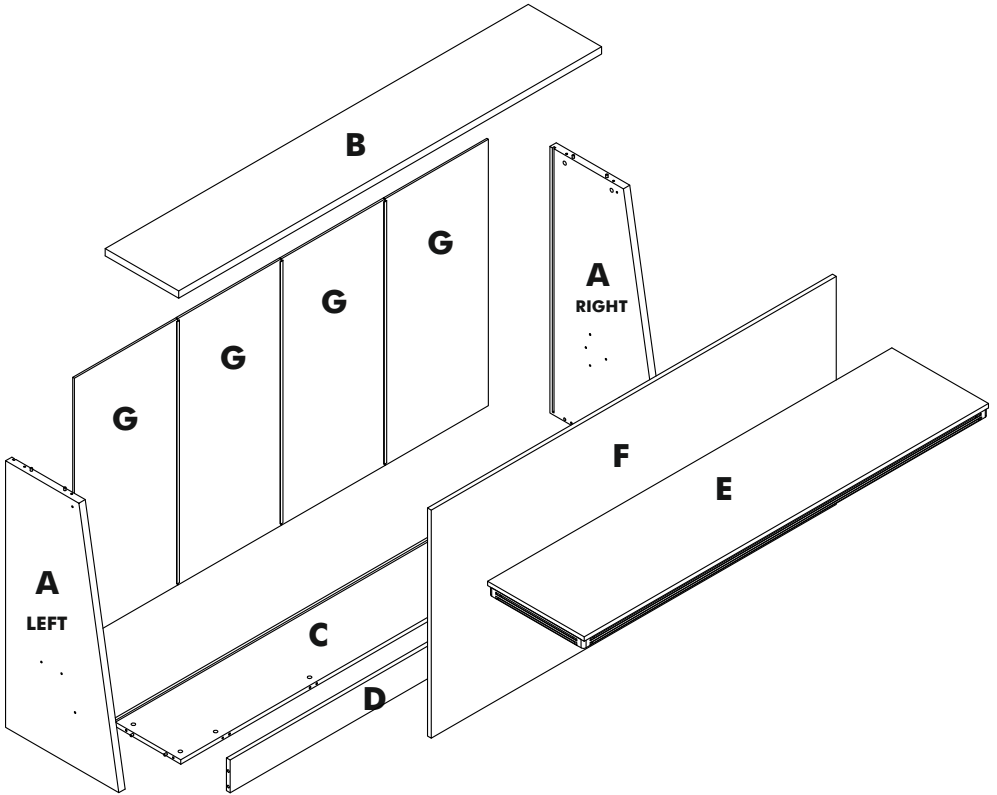
121 DIVA TABLE BED



Track Title	Piece	(inch)			(mm)			
		Thickness	Length	Width	Piece	Thick	Height	Most
A		1,18	43,31	21,26	2	30	1100	540
B		1,18	79,45	13,78	1	30	2018	350
C		0,71	77,01	12,99	1	18	1956	330
D		0,71	77,01	5,31	1	18	1956	135
E		0,71	75,75	17,72	1	18	1924	450
F		0,71	75,98	37,01	1	18	1930	940
G		0,31	43,19	19,37	4	8	1097	492

Accessories List

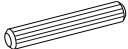
MNX 02  12 / piece VD - 02 (3,5x25) mm	MNG - 01  12 / piece DSE - 01 (40x90x32) mm	CT - 02 (6x30) mm  2 / piece DD - 01 (R10)	CT - 01 (6x40) mm  6 / piece PL - 02 (8x19x2) mm
 12 / piece VD - 01(6X70) mm	 2 / piece VTB - 01 (4,8x16) mm	 2 / piece IM - 01 (6x30) mm	 2 / piece KP - 01 (224) mm
 2 / piece VKP - 01 (22) mm	 8 / piece SN - 01 (M6)	 4 / piece SG - 01	 1 / piece BSK - 01
 2 / piece PL - 01 (6x19x2) mm	 4 / piece MKZ - 01E	 2 / piece TTC 01	 2 / piece KOR 01
 6 / piece H 01	 1 / piece 800 N KVL 01	 4 / piece KLF 01	 1 / piece TAP - 01
 3 / piece	 16 / piece	 1 / piece	 12 / piece



STEP 1

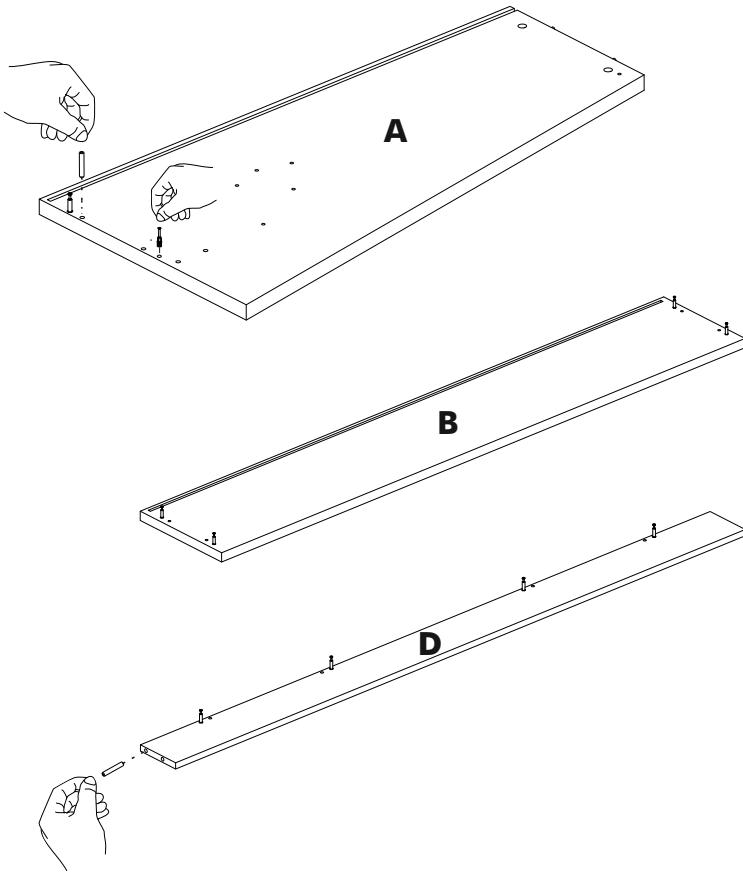


MNX - 02

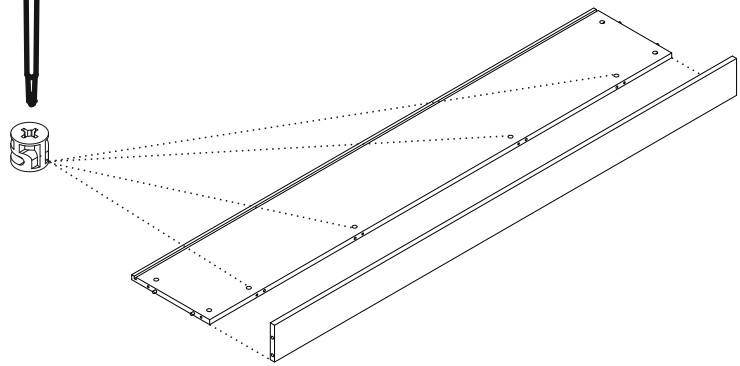
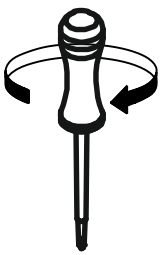


KVL 01

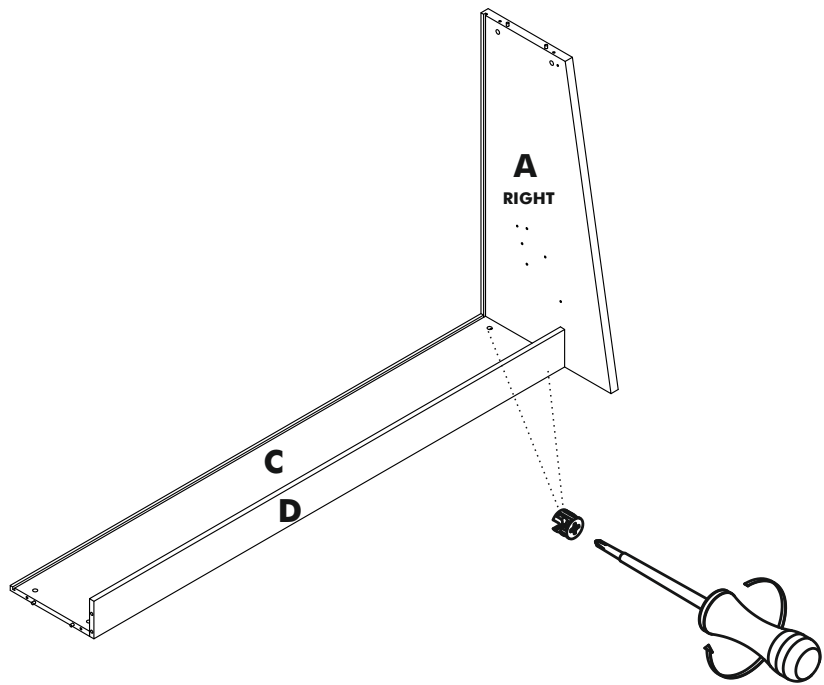
**TRACK TITLE
A LEFT / A RIGHT**



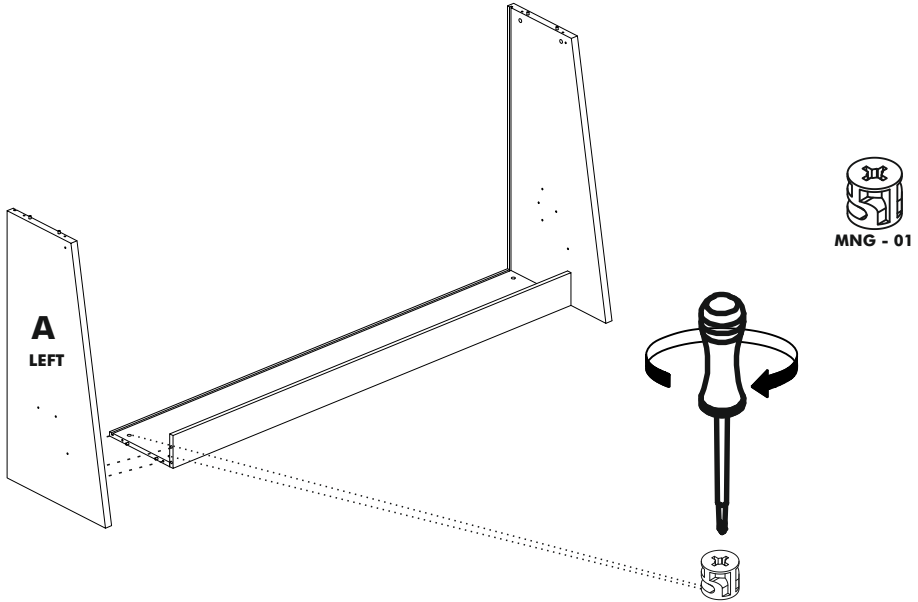
STEP 2



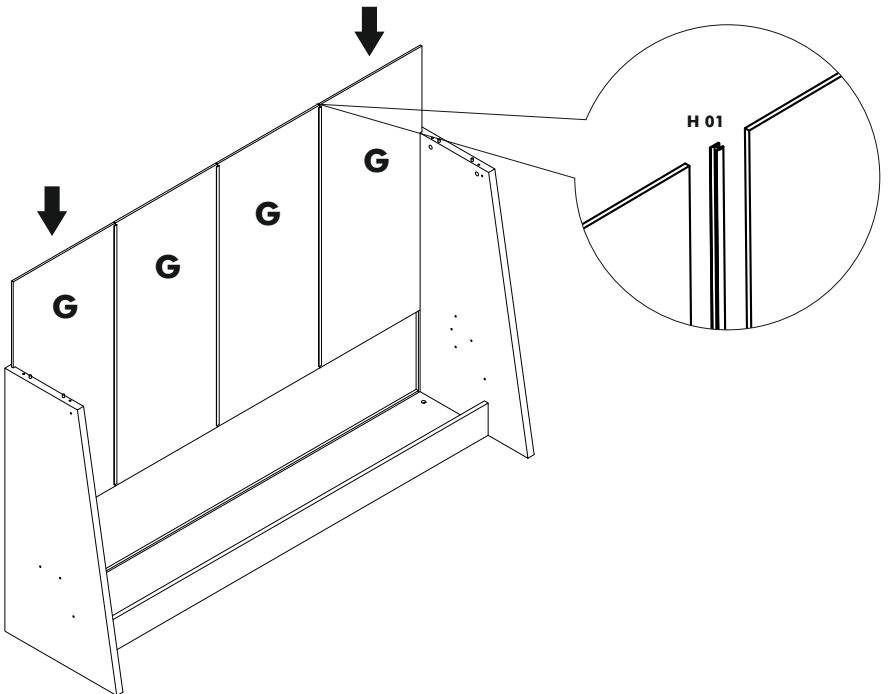
STEP 3



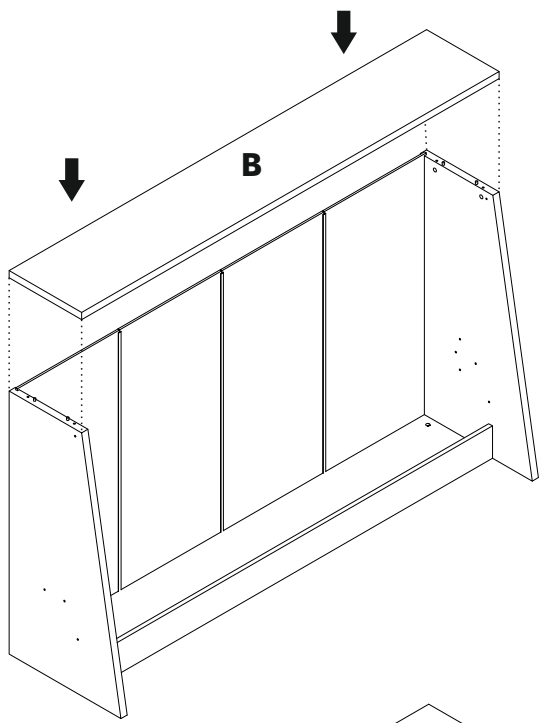
STEP 4



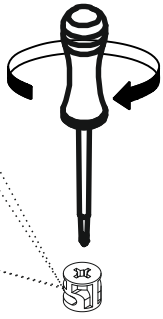
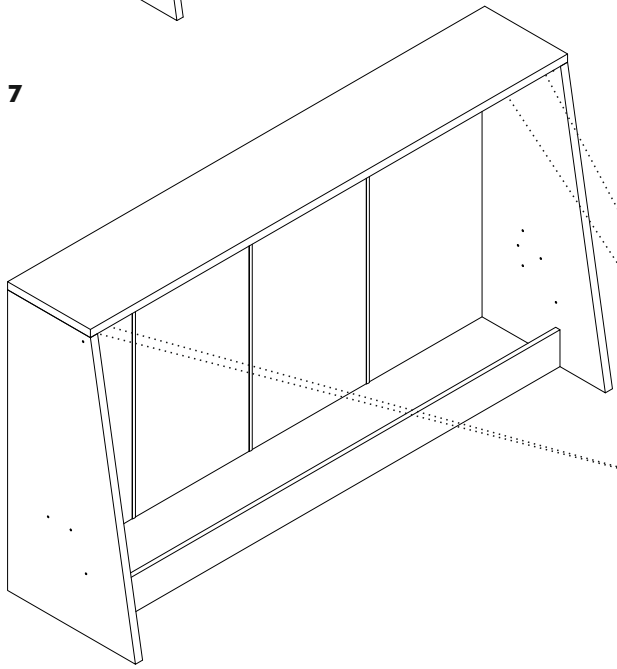
STEP 5



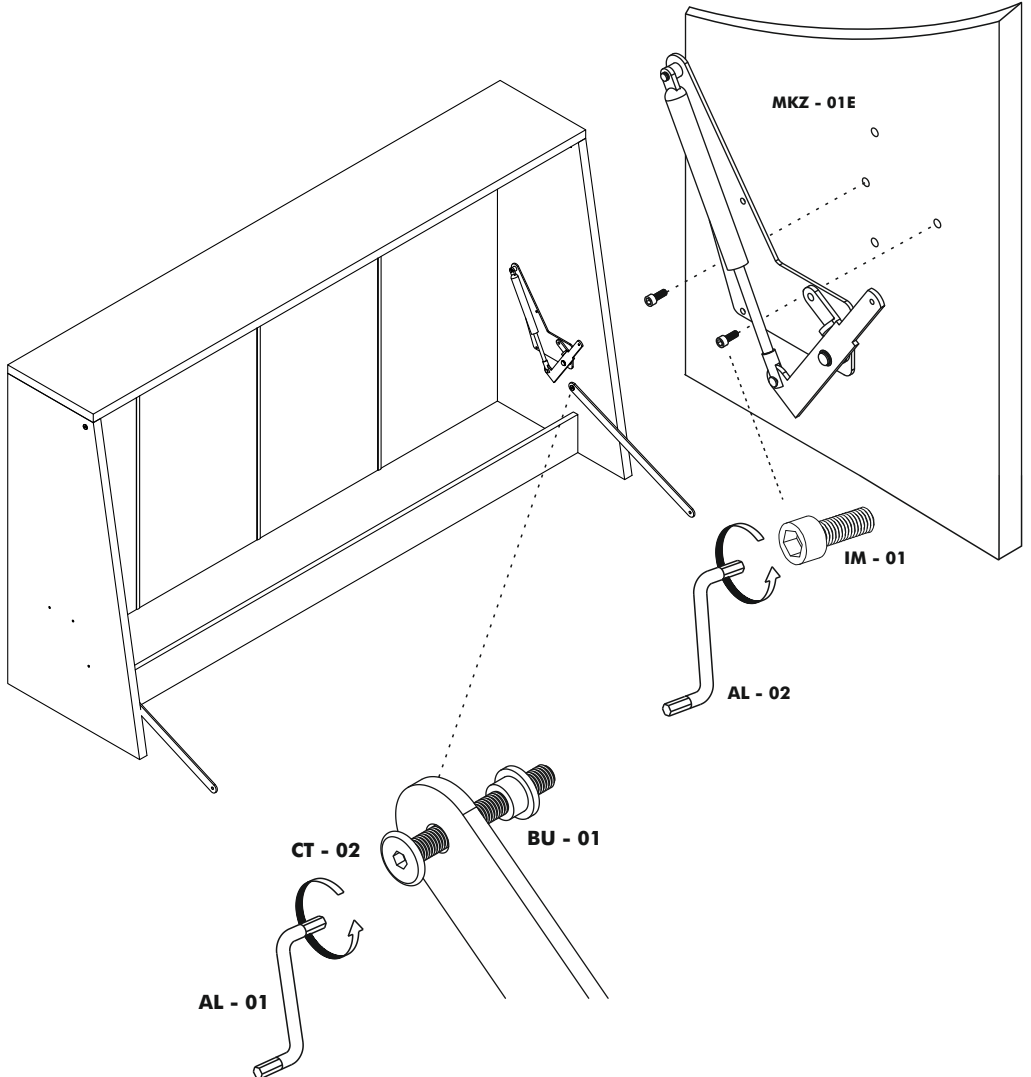
STEP 6



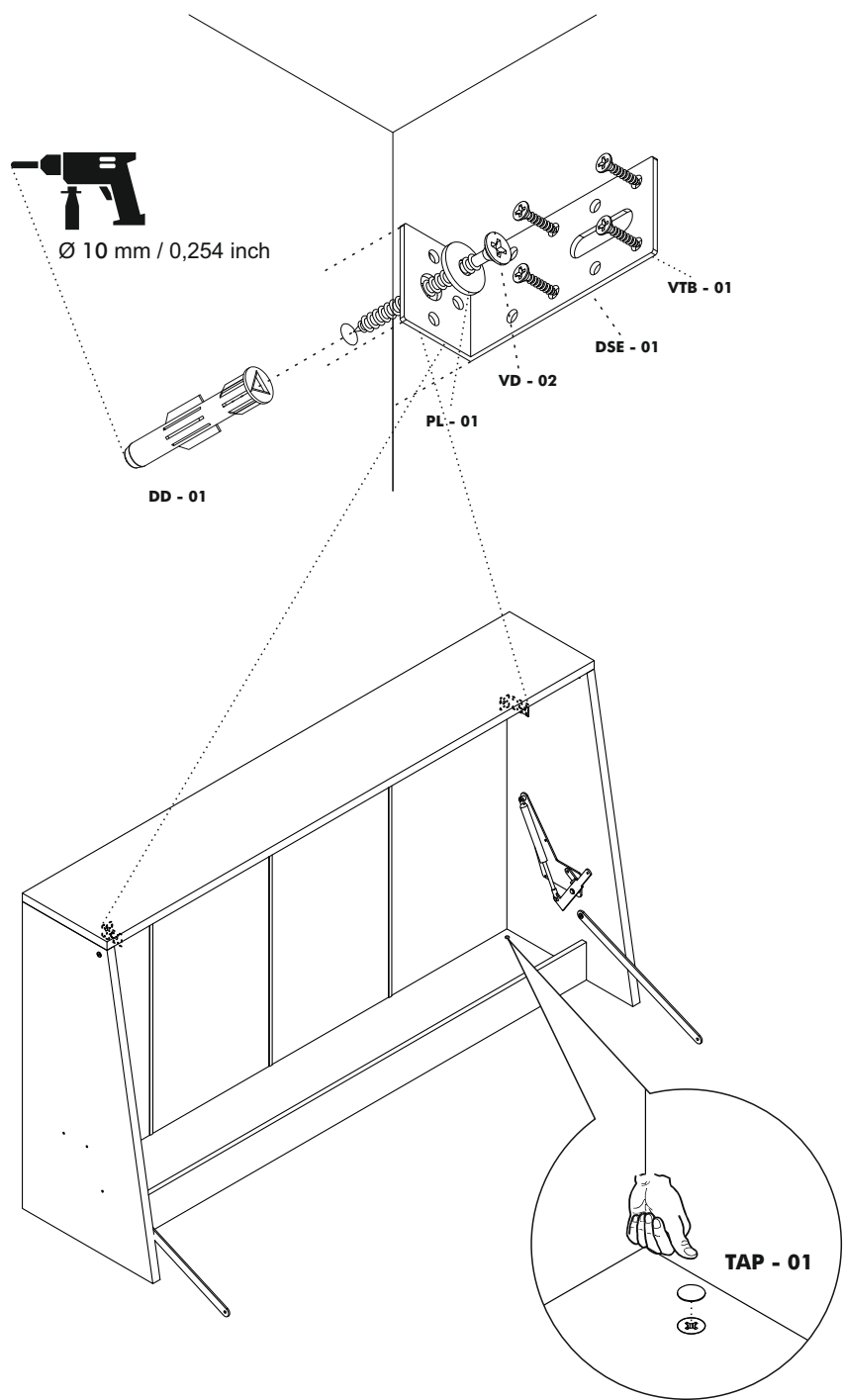
STEP 7



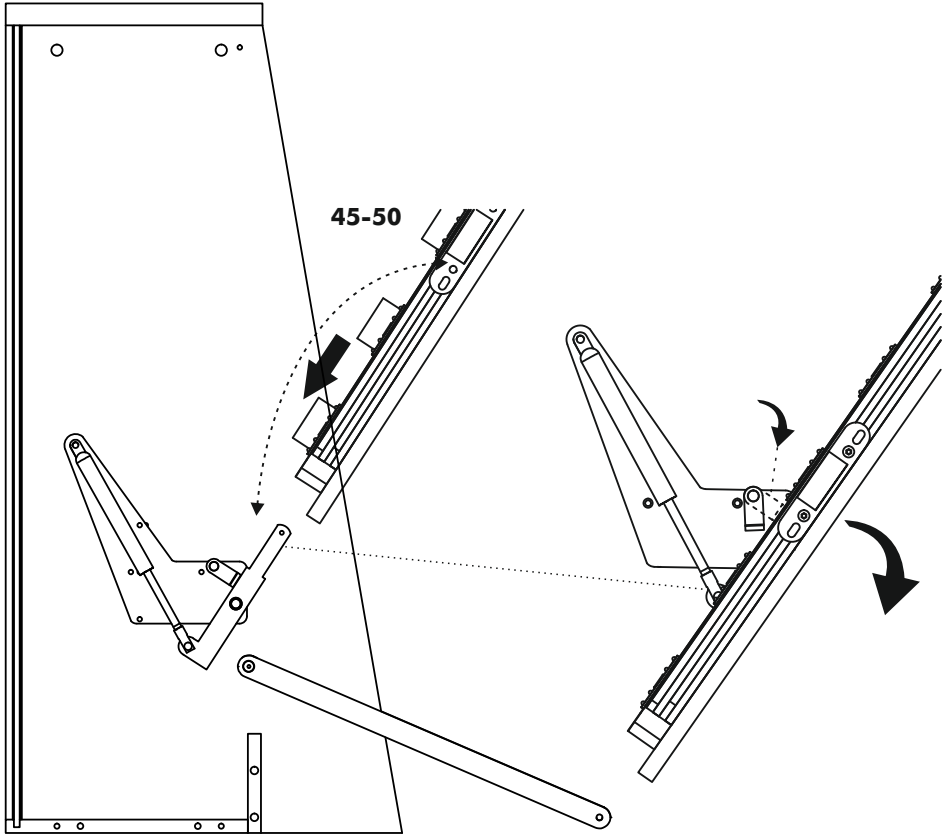
STEP 8



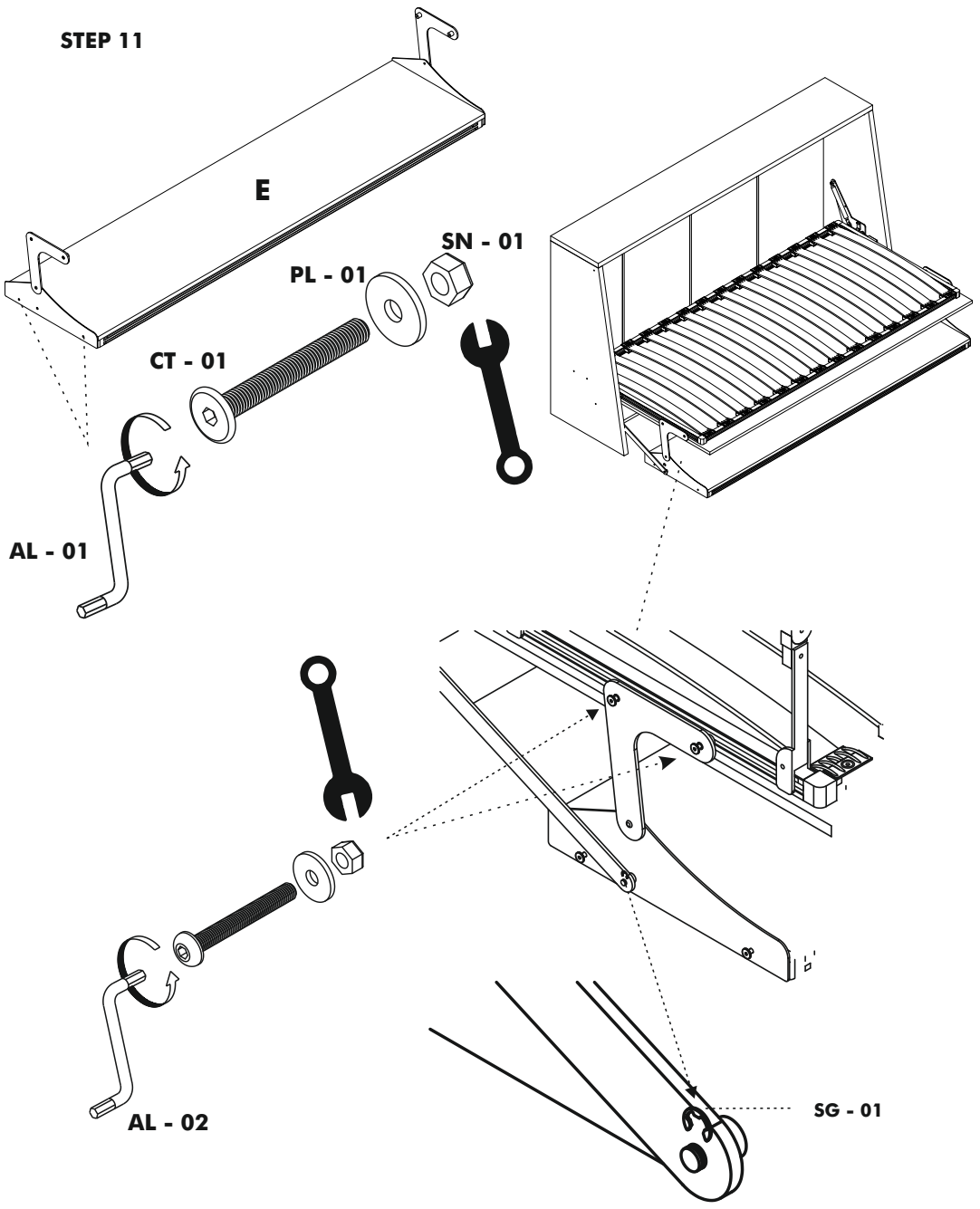
STEP 9



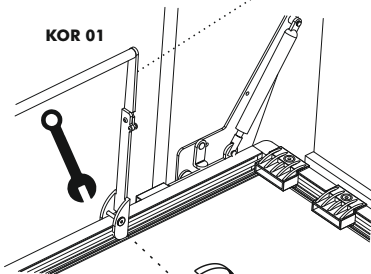
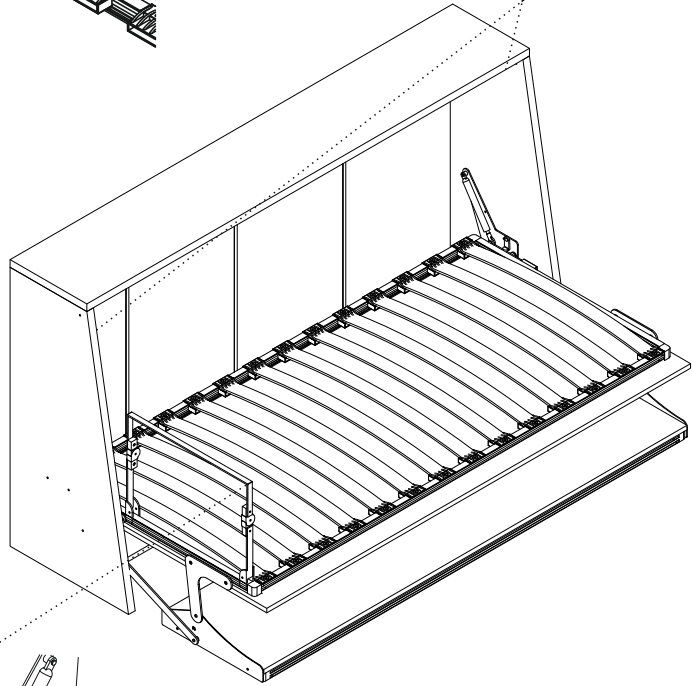
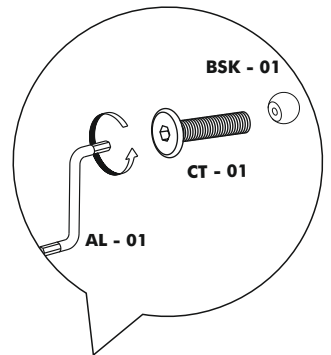
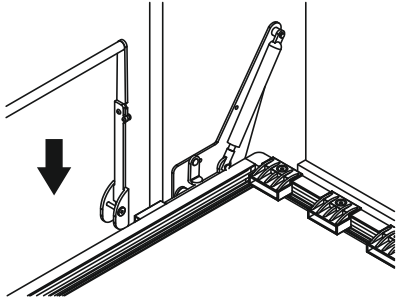
STEP 10



STEP 11

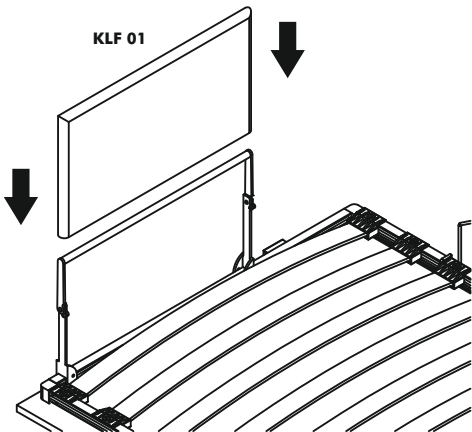
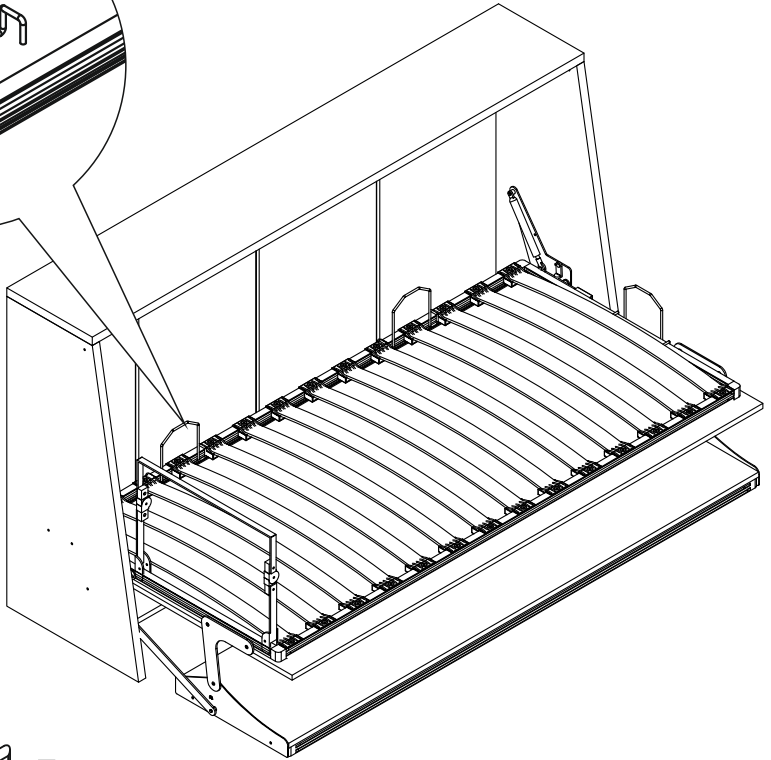
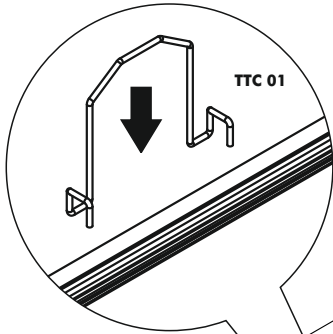


STEP 12



AL - 02

STEP 13





MULTiMO

Masko Furniture Site 5B Block No: 22
Başakşehir İSTANBUL
Tel: +90 (212) 675 06 07
www.multimo.com.tr
info@multimo.com.tr