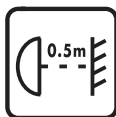


INSTRUCTION MANUAL

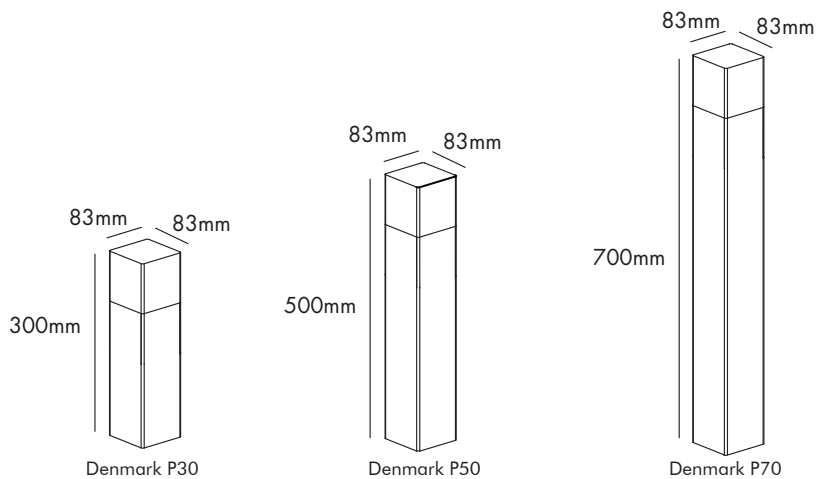


Denmark P30/50/70 Black

102681 / 102682 / 102683 / 104338 / 104339

| | | |
|--|-----------|-----------|
| <p>1.</p> | <p>2.</p> | <p>3.</p> |
| <p>4.</p> <p>INCOMING SUPPLY</p> <p>LIVE (Brown or Red) → [] → TO FITTING LIVE</p> <p>EATRH (Green & Yellow) → [] → EATRH ⊕</p> <p>NEUTRAL (Blue or Black) → [] → NEUTRAL</p> | <p>5.</p> | <p>6.</p> |

Overall Size:



FittinQ B.V.

Smaragdweg 52, 5527 LB Hapert, The Netherlands
www.qazqa.nl

QAZQA