

# ALLOY

---

# WOLFER

# WOLFER RS

# TREXX

# TREXX DISC

---

**User manual**

Yedoo

Wolfer 28"/20"

Product Number:  
12701-Y30

Maximum load:  
120 kg/265 lb

Wolfer RS 28"/28"

Product Number:  
12721

Maximum load:  
120 kg/265 lb

Trexx 26"/20"

Product Number:  
12702-Y30

Maximum load:  
130 kg/287 lb

Trexx Disc 26"/20"

Product Number:  
12722

Maximum load:  
150 kg/330 lb



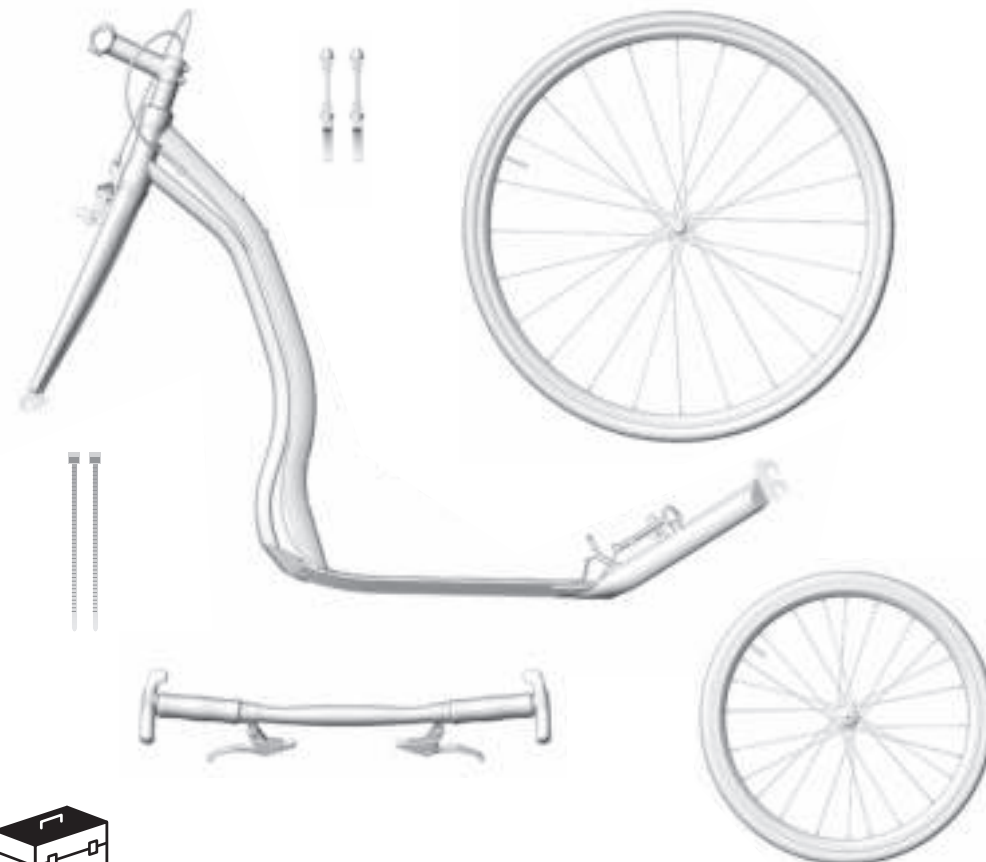
## Contents

EN	7	RU	34
CZ	16	SK	43
DE	25	FR	52

Visit our website [www.yedoo.eu](http://www.yedoo.eu)  
for more language versions.



## Yedoo Wolfer

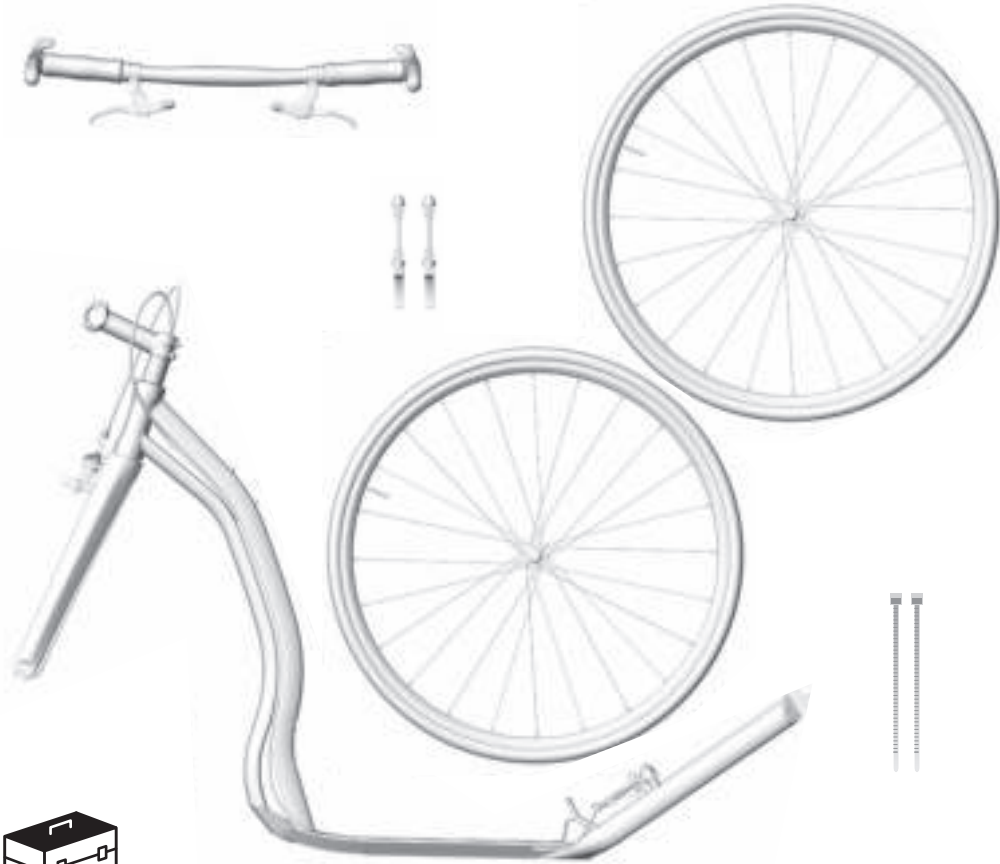


3 mm, 4 mm, 5 mm





## Yedoo Wolfer RS



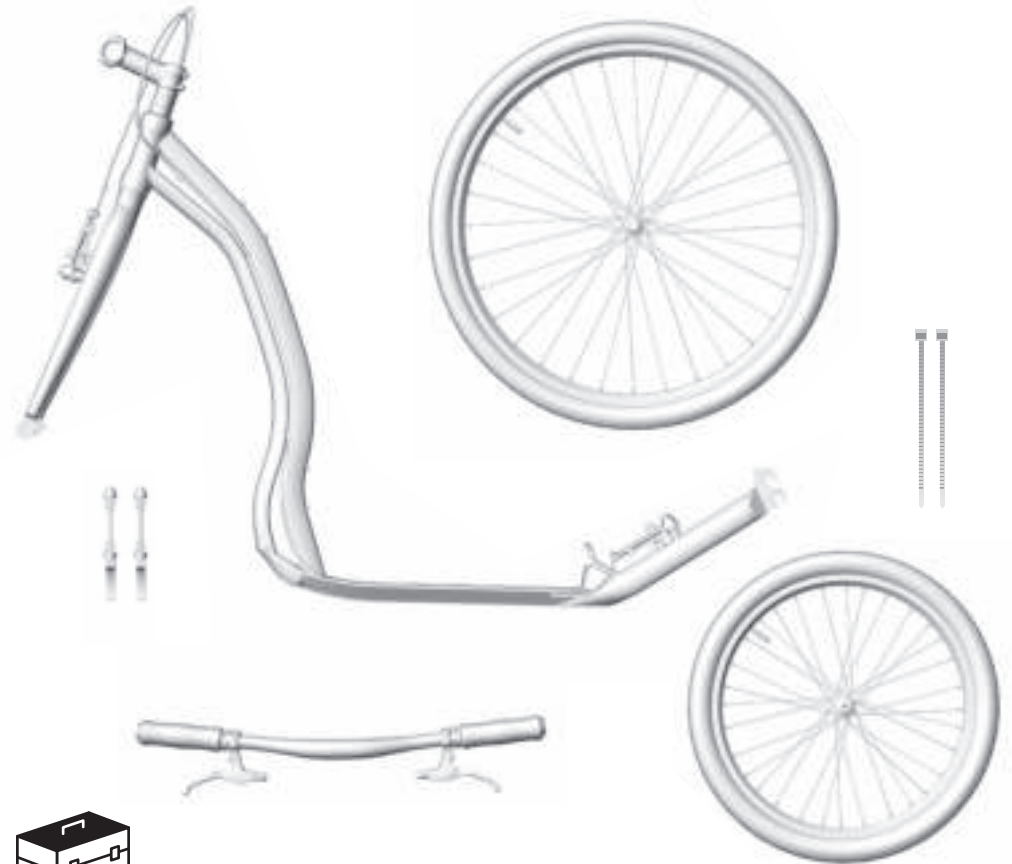
3 mm, 4 mm, 5 mm



4



## Yedoo Trexx



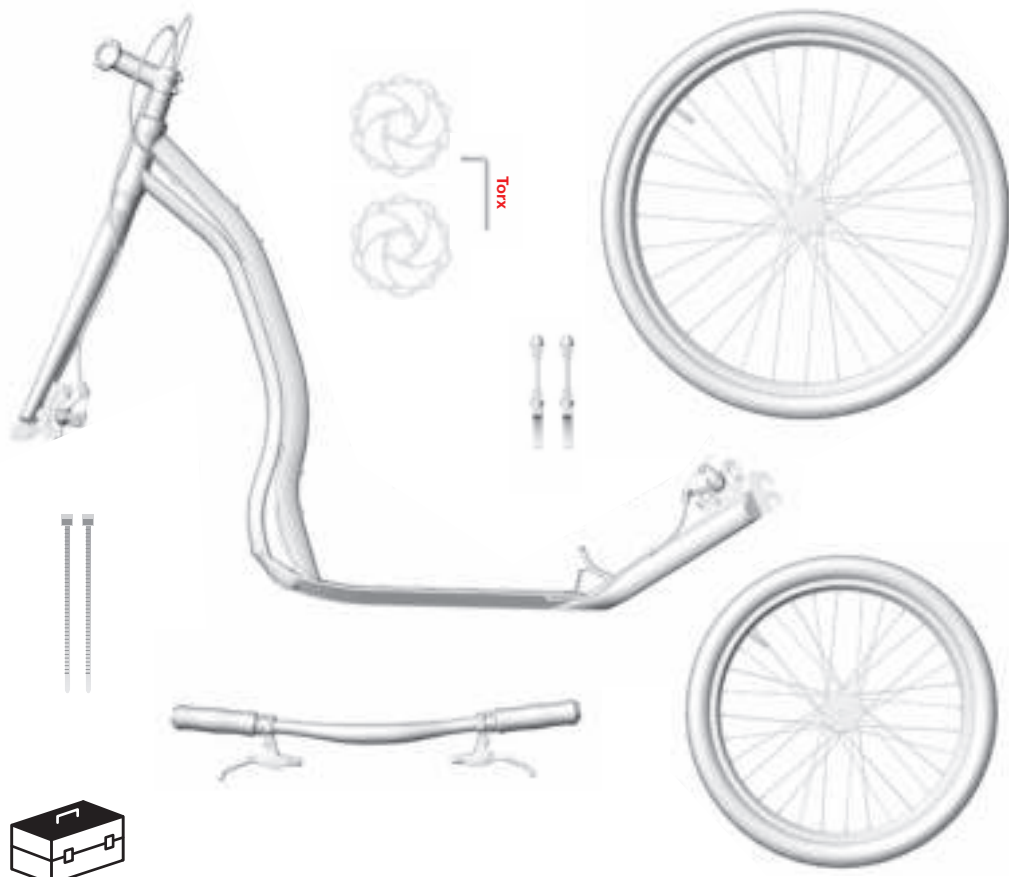
3 mm, 4 mm, 5 mm



5



## Yedoo Trexx Disc



3 mm, 4 mm, 5 mm



6

## Introduction

We recommend that you entrust the installation, adjustment and regular maintenance to a specialist bicycle shop. Improper intervention can lead to damage of the scooter or to an accident with serious health consequences.

If you are technically capable, do not worry, this manual contains all the information you need to help you assemble your new scooter.

Send your questions, comments and suggestions for improvement of our products by e-mail to: [info@yedoo.eu](mailto:info@yedoo.eu).

Yedoo frames are protected by a Registered Community Design(RCD), the commercial names are protected by registered trade marks.

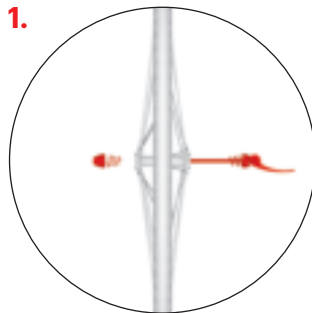
More information from the world of scooters and the list of distributors can be found at [www.yedoo.eu](http://www.yedoo.eu).

7

# Installation manual

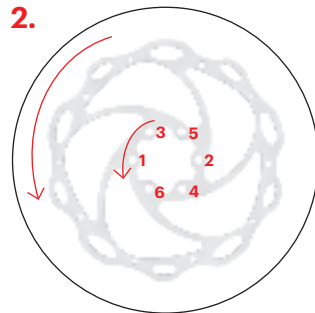
The assembly procedure is the same for all models, it only differs in details, see accompanying pictures.

**When tightening the connections do not exceed the specified tightening torque.**



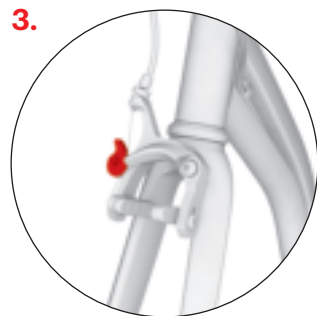
## 1. Installing the wheels

Insert the quick release mechanism into the wheel ensuring that on both sides of the wheel the narrow ends of the springs face the centre of the wheel. In case the quick-release levers are of different length, use the shorter one for the rear wheel.



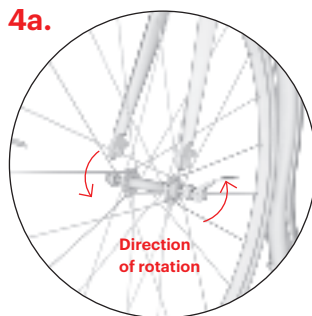
## 2. Disc brakes - Trexx Disc

Put the separately packaged brake discs on wheel hubs. Attach the rotor of the disc brake so that the arrow on the rotor would correspond to the rotation of the wheel. Screw the rotor to the hub using the attached key (torx). When fastening the screws, make sure you follow the sequence according to the picture.

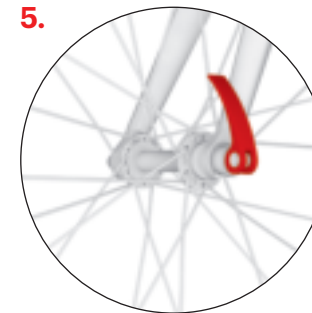
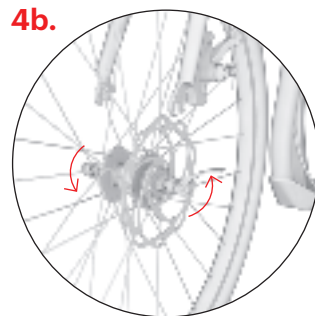


First, check if the front fork of the scooter is turned in the proper direction (the V-brake arms / wheel holders are facing forward),

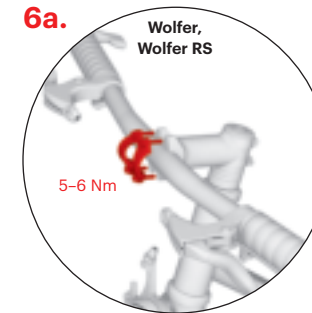
For the Wolfer and Wolfer RS models, release the brake jaws by slightly turning the lever. In case of the Trexx model, release the brake wire from the housing and release the brake arms.



Insert the wheel into the front fork so it is exactly in the middle. **Caution:** When inserting the wheel, ensure that the arrow on the tyre sidewall points in the direction of rotation when the scooter is rolling forwards.

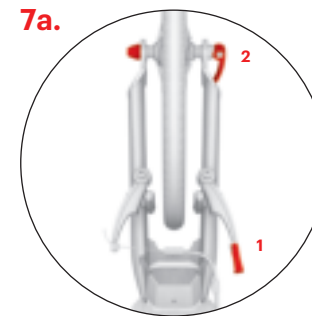
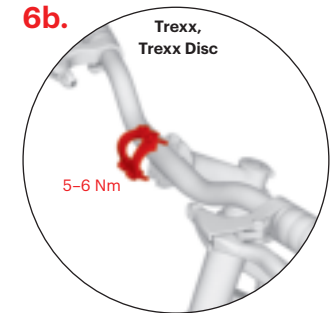


Tighten the adjustment nut of the quick release mechanism to the correct position. When it is in the correct position you will feel a noticeable resistance just before you close the mechanism completely. Close the quick release lever in a position where it does not touch the fork and simultaneously it cannot be opened accidentally while riding.



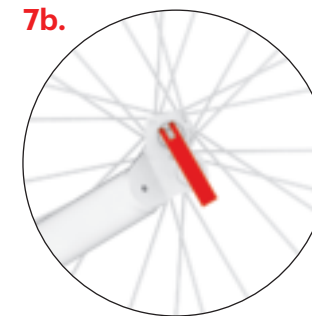
## 6a. Handlebars installation

Insert the handlebars on the stem and tighten the screws of the sleeve. The labels (not shown in a picture) should be clearly visible from the front view.

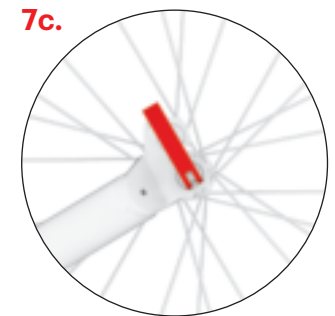


## 7a. Installing the rear wheel (V-brake)

Release the brake cable from the guide (1). Put the wheel in one of the two fork dropouts (see 7b., 7c.) then centre the wheel and tighten the quick release mechanism (2).



Two-position rear fork enables you to adjust the height of the footrest above the ground. The upper fork position, which reduces the height of the footrest, is designed for riding on a smooth, flat surface. Riding will be less physically demanding. The closed quick release lever should point downwards.



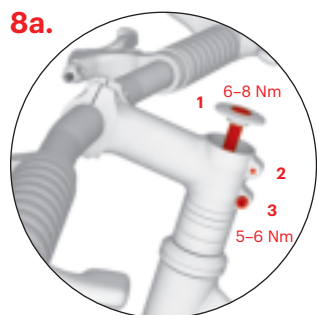
Use the lower position for riding over a rough terrain. Close the quick release lever. It should point upwards.

# Installation manual



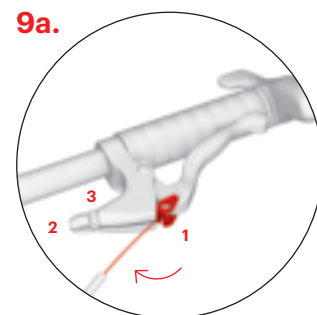
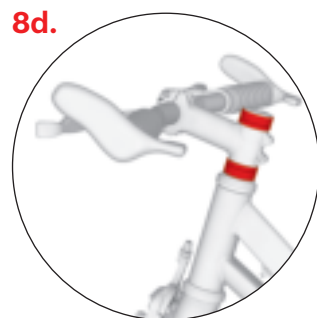
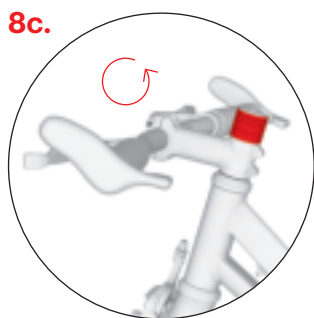
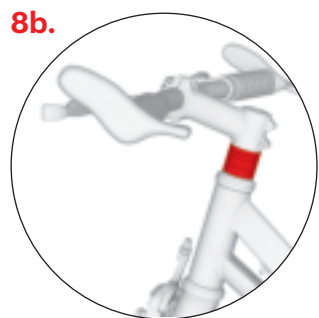
**Rear wheel installation (disc brake)**

Put the wheel into the upper holder of the fork, centre the wheel and fasten the quick-release lever. It is not possible to use the lower holder with the basic setup of the scooter.



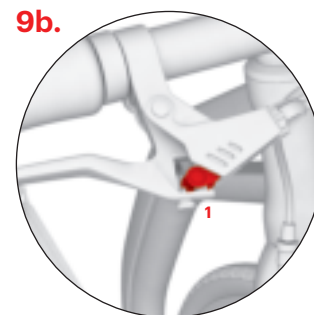
**Adjusting the height of the handlebars**

Loosen the screws on the stem and adjust the handlebars to the desired height using spacer rings. To set the handlebars to the lowest position, turn the stem so it points downwards, see fig. 8c. After adjusting the handlebar height, first tighten the head-set screw (1), then the side screws (2, 3).

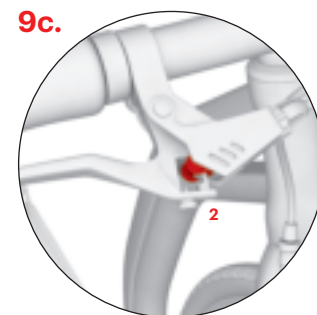


**Installing the brake cables**

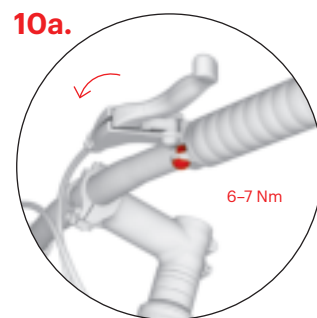
Squeeze the brake lever to the maximum and insert the end of the brake cable into the round lug (1). Insert the cable into the groove and tighten the set screw (2) and the nut (3). Repeat the process with the other brake. The rear brake cable is usually mounted on the right brake lever and the front brake cable on the left.



**Wolfer and Wolfer RS** use special levers that enable correct change of lever according to the type of brake. If the brake lever controls a V-brake (rear wheel), the brake wire needs to be put in position (1). If the brake lever controls a front Caliper brake (front wheel), the brake wire needs to be put in position (2).

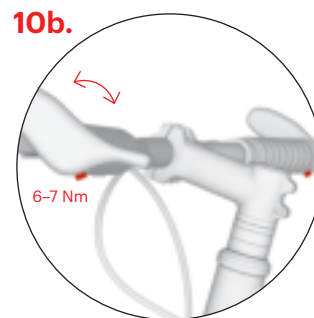


**Setting up the position:** Press the brake lever slightly, in order to see the attachment of the brake wire. Turn the safety pin and move the attachment of the brake wire to the required position. By turning the safety pin again, you will lock the attachment of the brake wire.



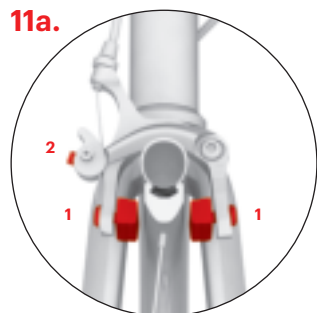
**Adjusting the angle of the brake levers**

On both brake levers loosen the screw on the sleeve. For the best results, stand on the footrest, grab the handlebars and stretch your fingers so they extend in a straight line from your hands. Set the brake levers in this position and tighten the two mounting screws.



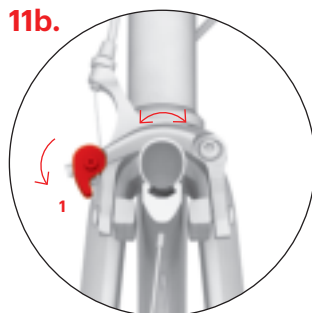
You can adjust the position of the handlebar ends on the **Yedoo Wolfer and Wolfer RS** model using the mounting screws shown on the picture.

# Installation manual

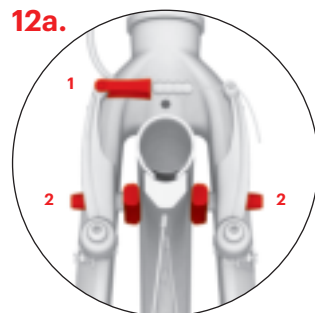


**Adjusting the front brakes – Wolfier, Wolfier RS**

The entire surface of the brake pads should fit tightly against the side of the rim while braking. If not, adjust the position of the brake pads using the screws which attach the brake pads to the arms of the brakes (1). The pads should not touch the tyre and when the brake levers are released the pads should be 1–2 mm away from the rim. The distance of the brake pads can be adjusted by tightening or releasing of the brake cable in the anchor bolt (2).

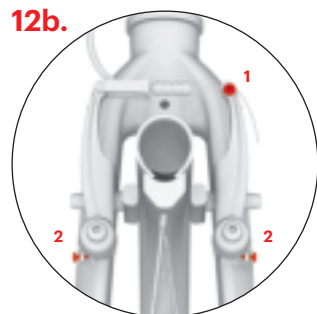


If the wheel touches the brake pad at some point during the rotation, turn the whole brake mechanism until the brake arms are evenly spaced from the rim. To lock the position of the arms, turn the lever downwards (1).



**Adjusting the front brakes – Trexx**

Insert the brake cable back into the guide (1) and check the brake pads during braking, ensuring that their entire surface fits tightly against the side of the rim. If not, adjust the brake pads position with the screw (2), which attaches the brake pads to the shoulders of V-brakes. The brake pads must not touch the tyre.

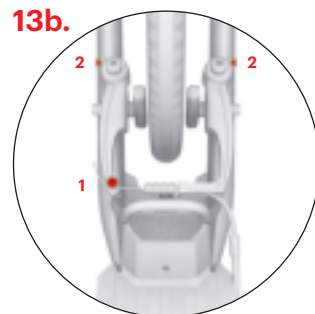


Check that the brake pads move away from the rim sufficiently (1–2 mm) when the brake lever is released. The distance of the brake pads can be adjusted by tightening or loosening the brake cable anchor bolt (1). If the brake pads come into contact with the rim while the wheel spins, adjust the spacing of the brake arms symmetrically with the tensioning bolts (2).

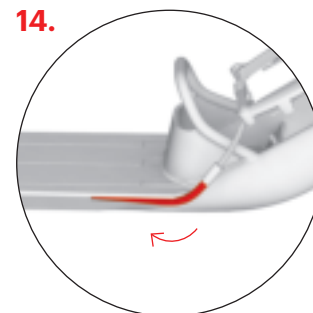


**Adjusting the rear brake (V-brake)**

Insert the brake cable back into the guide (1). Check the brake pads during braking, ensuring that their entire surface fits tightly against the side of the rim. If not, adjust the screw (2), which attaches the brake pads to the shoulders of the V-brakes. The brake pads must not touch the tyre.

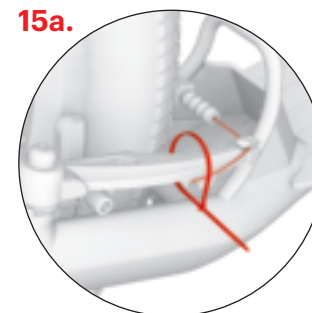


Check that the brake pads move away from the rim sufficiently (1–2 mm) when the brake lever is re-released. The distance of the brake pads can be adjusted by tightening or loosening the brake cable anchor bolt (1). If the brake pads come into contact with the rim while the wheel spins, adjust the spacing of the brake arms symmetrically with the tensioning bolts (2).

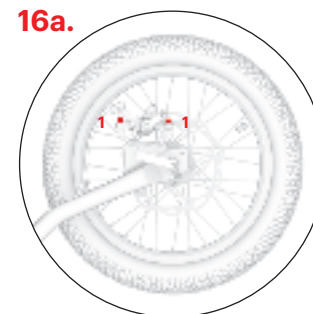
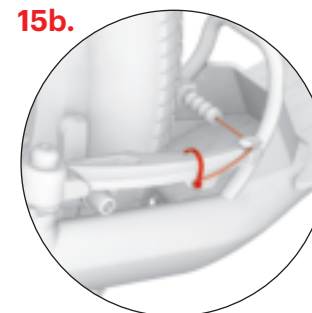


**Adjusting the bowden cables (V-brake)**

Adjust the position of the cables and make sure they do not extend outside the frame of the scooter (especially in the rear fork area).

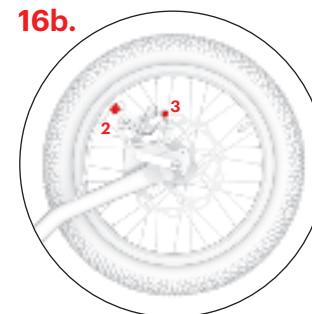


Fasten the end of the brake cable in the lock and secure with the cable tie, then trim the tie (applies to both front and rear brake).

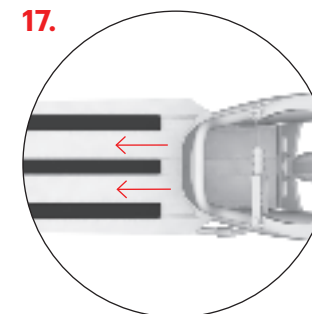


**Adjustment of brakes - Trexx Disc**

On the front as well as the rear wheel, check, if the disc of the brake does not scrape the brake pad. If so, loosen the adjusting screws (1) and set up the position of both pads so that their entire surface would be parallel with the disc, then fasten the adjusting screws again.



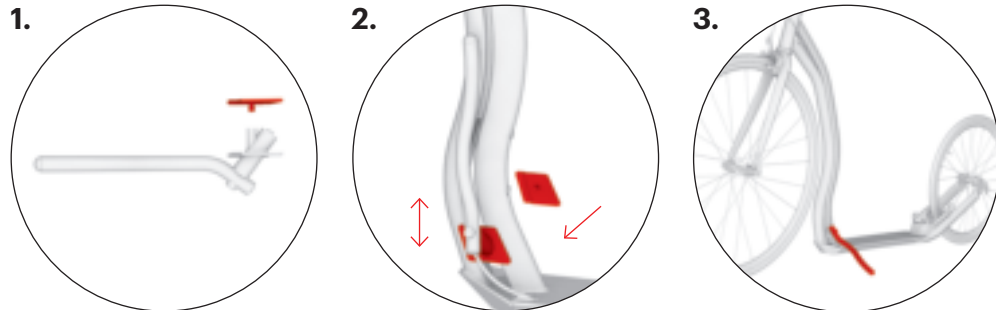
The distance between the brake pads and the disc should be as small as possible. You can set it up using an adjustment roller (2), which adjusts the tension of the brake wire. If this is not enough, you may loosen the wire in the anchor bolt (3).



**Anti-slip tapes**

In case tapes become worn and their anti-slip effect is reduced, we recommend replacing them. Replacements tapes are available to buy. See more on [www.yedoo.eu](http://www.yedoo.eu). **Attention:** Clean and degrease the footboard thoroughly before application.

# Installation manual



## Assembling the stand

The stand is not included. You can purchase it together with other Yedoo accessories at your local dealer. See [www.yedoo.eu](http://www.yedoo.eu).

Mount the stand in the area where the front profile of the frame is spread out. For the best stability for a given model choose the right height for mounting the stand. The stand should not extend outside the frame of the scooter when in the riding position.

The maximum capacity of the stand is about 15 kg. Do not stand on the parked scooter.

## Safety recommendations

The scooter in its basic configuration is designed for riding in daylight in areas designated for sport and recreation, ideally on a smooth, dry surface.

For riding on roads and in the dark you must equip the scooter with additional safety devices (lights, reflectors etc.) in compliance with applicable regulations in your country. Observe traffic rules, principles of safe riding and wear personal protective equipment (helmet, bike gloves, knee and elbow pads, boots, etc.).

Before each ride check your brakes and the overall technical condition of the scooter. Inflate the tyres to the recommended maximum pressure (see the side of the tyre). Do not exceed its capacity. The scooter is designed only for one rider. Do not overload the scooter. The scooter is not intended for jumps or acrobatic riding.

All components designed to decrease the speed (brake pads, rims, tyres, etc.) get hot while in use. Do not touch any of the parts until they have cooled down!

## Riding instructions

When riding, always grip the handlebar with both hands. While pushing with one foot, place the other foot on the footboard of the scooter. Regularly exchange feet. In order to brake, press the brake levers on the handlebars. Usually you would use the right lever which controls the rear brake. The front brake should only be used to supplement the stopping power of the rear brake. Never squeeze the front brake without also squeezing the rear brake with equal or greater force. **Warning:** sudden braking may cause a fall.

## Maintenance

Proper maintenance will improve safety and extend the life of your scooter. Therefore, tighten the screw connections, check the condition of the quick release mechanisms, check the tyre pressures and lubricate moving parts (bearings in the wheels and handlebars, brake lever pins, brake mechanism pivot points, brake cables, etc.) regularly.

Make sure that the applied lubricant does not get on the rims and brake pads. Grease reduces their effect! If that happens, degrease soiled areas with, for example, technical gasoline. Check the tyre tread depth regularly and replace the tyres with new ones with the same parameters if necessary. If the scooter is not ready to be used, clearly mark it as such.

Check the condition of self-locking nuts regularly (if they become loose spontaneously, replace them with new ones).

**Check the wheel spokes regularly. Uneven tension of wires in the spokes may cause their rupture or loss of wheel centering. It is important to additionally adjust the new scooter after running in, when the parts have settled against one another (the period is individual and should not exceed 150 km). Neglect may lead to destruction of loosened parts.**

Keep the scooter clean, if dirty, wipe with a wet cloth. Store it indoors in a dry shaded place, do not expose to increased humidity or extreme temperatures in the long term. In case of long-term storage, for example over winter, keep tyres sufficiently inflated or hang the scooter up, so that they would not be burdened.

The product complies with the relevant EU standards (EN 14619) and it also received certificates of quality and safety by a leading Czech testing institute (Strojirnský zkušební ústav, s. p.).

The manufacturer and importer in the EU is INTREA – PIKO, s.r.o., Sasanková 2657/2, 106 00 Prague 10, Czech Republic, [www.yedoo.eu](http://www.yedoo.eu).

## Exercise of rights arising from defective performance

### General provisions

Content, scope and duration of the purchaser's rights arising from defective performance is governed by the applicable laws of the Czech Republic, in particular the relevant regulations of the Civil Code (Act No. 89/2012 Coll.) and the Consumer Protection Act (Act No. 634/1992 Coll.). The rights of the purchaser within these regulations are not affected by this document or the information contained in it.

### Period for exercising of rights arising from defective performance

The purchaser can apply the right from defects in newly bought Yedoo scooter (hereinafter goods) within a period of 36 months from the day of receipt. If the buyer defines the defect of the goods legitimately, the period for exercising rights arising from defective performance is suspended for the time during which the buyer cannot use the goods.

### Specifications of application of rights arising from the defective performance

Rights arising from the defective performance are applied to the dealer where the goods were purchased (see details below). We recommend to submit this document, proof of purchase and a complete scooter free from any impurities when applying the rights from defects.

The seller will issue a written confirmation of the exercise of rights arising from defective performance or a confirmation of repair.

### Specification of rights of defective performance

When assembling the scooter the instructions given in the installation manual must be followed. The scooter must be used exclusively for the purpose for which it was made. The scooter must be stored and maintained according to the provided manufacturer's instructions. The manufacturer's liability does not apply to defects caused exclusively by improper installation or use of scooters in conflict with the user manual.

**Model of the scooter:**

**Serial number of the frame:**

**Date of sale:**

**Vendor:**

**Stamp and signature:**



# Úvod

Montáž, seřízení a pravidelnou údržbu doporučujeme svěřit odbornému cykloservisu. Neodborné zásahy mohou vést k poškození koloběžky či nehodě s vážnými zdravotními následky.

Pokud jste ale technicky zdatní, ničeho se nebojte a s chutí se do montáže pusťte s námi.

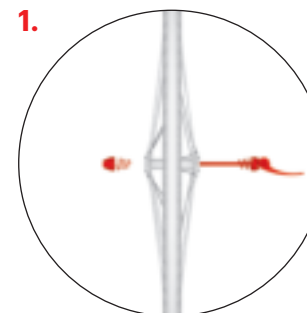
Dotazy, připomínky a náměty na zlepšení našich výrobků nám prosím posílejte na e-mail: [info@yedoo.cz](mailto:info@yedoo.cz).

Rámy kolobežek Yedoo jsou chráněny zapsanými průmyslovými vzory. Společností, obchodní názvy jsou chráněny zapsanými ochrannými známkami.

Více informací ze světa kolobežek a seznam distributorů najdete na [www.yedoo.cz](http://www.yedoo.cz).

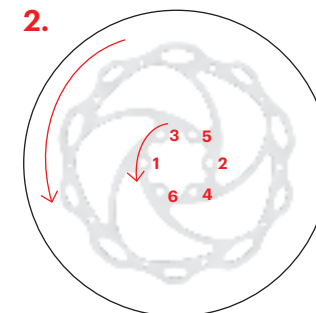
# Montážní návod

Postup montáže je pro všechny modely stejný, liší se jen v detailech viz doplňující obrázky. Při utahování spojů nepřekračujte uvedený moment utažení.



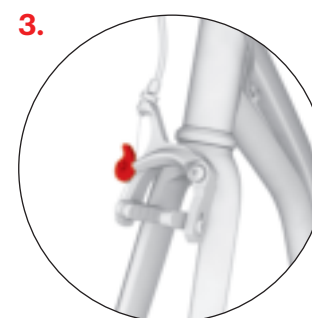
Montáž předního a zadního kola

Do kola vložte rychloupínák tak, aby na každé straně byla jedna pružinka se zúžením směřujícím ke středu kola. V případě, že jsou rychloupínáky různě dlouhé, použijte kratší pro zadní kolo.

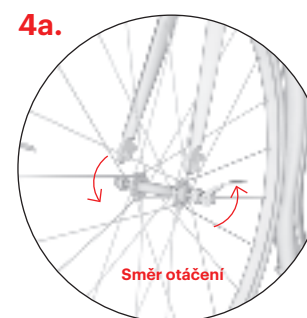


Kotoučové brzdy – Trexx Disc

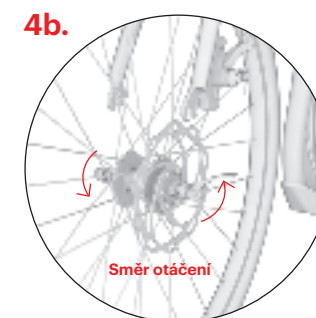
Nasadte samostatně balené brzdové kotouče na náboje kol. Rotor diskové brzdy připevněte tak, aby šípka zobrazená na rotoru odpovídala rotaci kola. Přišroubujte rotor k náboji pomocí přiloženého klíče (torx). Během dotahování šroubů dbejte na dodržení posloupnosti dle obrázku.



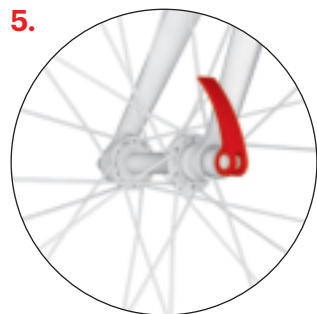
Nejprve zkontrolujte, zda je přední vidlice koloběžky natočená ve správném směru (ramena V-brzdy / úchyty na kolo směřují dopředu). U modelů Wolfer, Wolfer RS uvolněte brzdové čelisti pootočením páčky. U modelu Trexx uvolněte brzdové lanko z vodítka a uvolněte brzdová ramena.



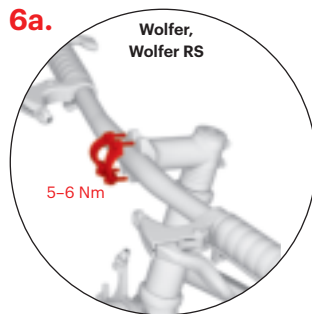
Kolo vsadte do přední vidlice tak, aby bylo přesně uprostřed. **Pozor:** Vzorek pneumatiky by měl směřovat dopředu po směru jízdy, viz směrová šípka na boku pláště.



# Montážní návod

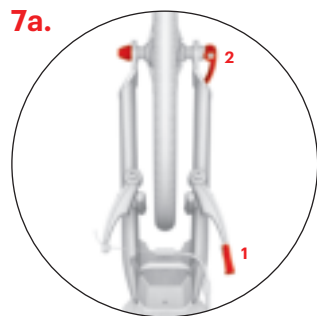
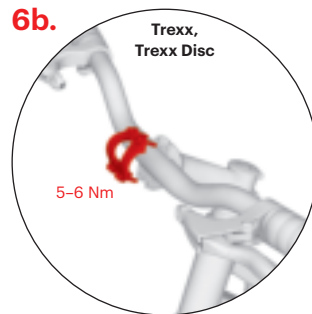


Dotáhněte seřizovací matici rychloupínáku, těsně před dovřením rychloupínací páčky byste měli cítit ztuhlý odpor. Páčku zavřete na doraz v takové pozici, aby se nedotýkala vidlice a zároveň nemohlo dojít k jejímu náhodnému otevření během jízdy.



## Instalace řídítek

Řídítka nasadte na představec a utáhněte šrouby objímky. Nápis na řídítkách (nejsou zobrazené na obrázku) by měly být při čelním pohledu čitelné.



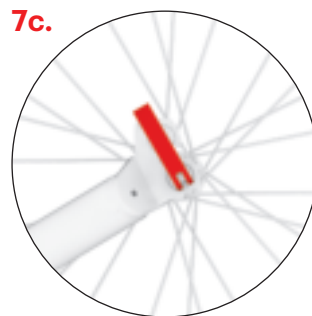
## Montáž zadního kola (V-brzda)

Uvolněte brzdové lanko z vodítka (1), vložte kolo do jednoho ze dvou úchytů vidlice, viz obr. 7.b, 7.c., kolo vycentrujte a dotáhněte rychloupínák (2).

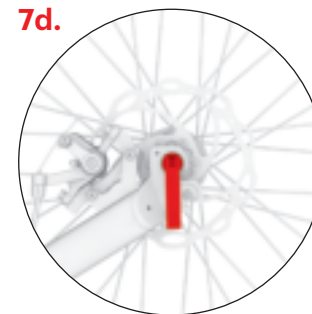


## Dvoupolohová zadní vidlice

umožňuje uzpůsobit výšku stupátka. Horní úchyt vidlice, který sníží výšku stupátka a zároveň odlehčí stojné noze, je určen pro jízdu na hladkém a rovném povrchu. Jízda bude méně fyzicky namáhavá. Rychloupínací páčku dovřete směrem dolů.

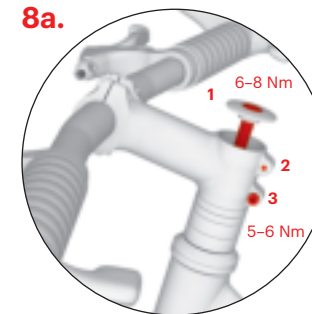


Spodní úchyt použijte pro jízdu terénem. Rychloupínací páčku dovřete tak, aby směřovala nahoru.



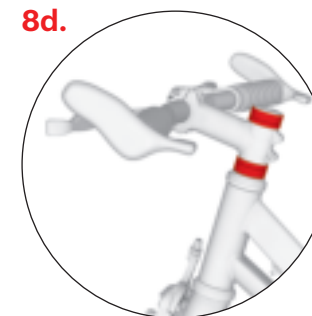
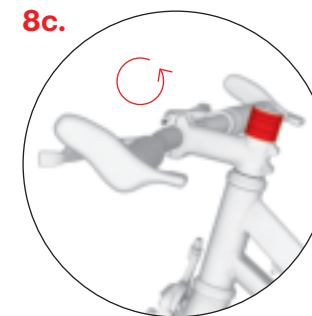
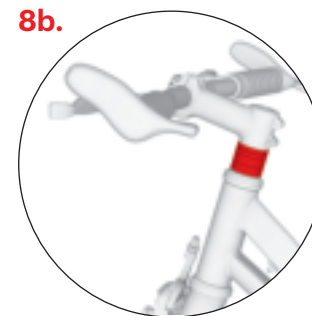
## Montáž zadního kola (disc brzda)

Kolo vložte do horního úchytu vidlice, vycentrujte a dotáhněte rychloupínák. Spodní úchyt vidlice není v základním nastavení koloběžky možné použít.

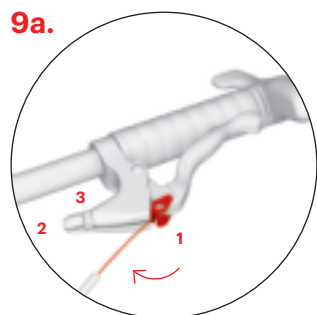


## Nastavení výšky řídítek

Uvolněte šrouby na představci a nastavte požadovanou výšku řídítek pomocí vymeřovacích kroužků. Pro nastavení nejnižší polohy přetočte představce tak, aby směřoval dolů, viz obr. 8.c. Po nastavení výšky řídítek nejprve dotáhněte šroub hlavového složení (1), pak teprve boční šroubky (2, 3).

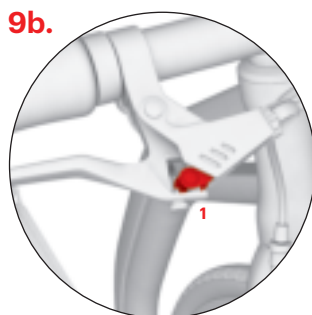


# Montážní návod

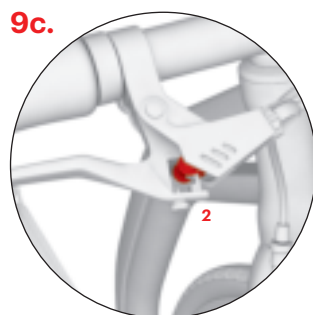


## Instalace brzdových lanek

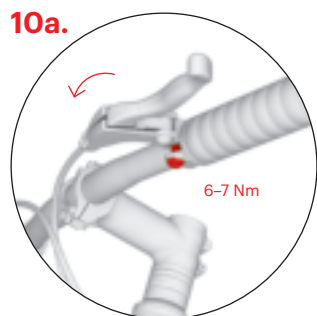
Zmáčkněte brzdovou páčku na maximum a do kulatého oka (1) vložte konec brzdového lanka. Lanko vložte do drážky a utáhněte stavěcí šroub (2) a matici (3). Stejný postup zopakujte i na druhé brzdě. Zadní brzdové lanko se zpravidla upevňuje do pravé brzdové páčky, přední do levé.



**Wolfer a Wolfer RS** používají speciální páčky umožňující správné přepákování dle typu brzdy. Pokud brzdová páčka brzdí V-brzdu (zadní kolo), je potřeba umístit brzdové lanko do polohy (1). Pokud brzdová páčka brzdí přední Caliper brzdu (přední kolo), je potřeba umístit brzdové lanko do polohy (2).

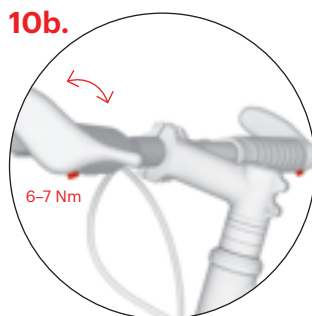


**Nastavení polohy:** Mírně zmáčkněte brzdovou páčku, abyste viděli na uchycení brzdového lanka. Otočte pojistným čepem a přemístěte uchycení brzdového lanka do potřebné polohy. Otočením pojistného čepu opět uzamknete uchycení brzdového lanka.

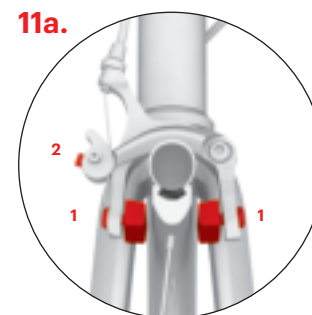


## Nastavení sklonu brzdových páček

U obou brzdových páček povolte upevňovací šroubek na objímce. Správný sklon brzdových páček nastavíte tak, že si stoupnete na stupátko, uchopíte řídítka a natáhněte prsty tak, aby prodlužovaly přímkou ruky. Do této polohy nastavte páčky a u obou dotáhněte upevňovací šroubek.

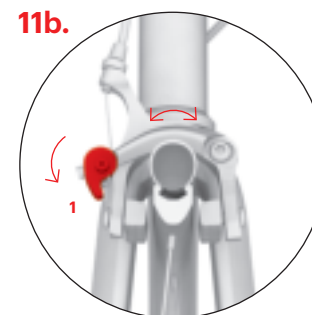


U modelu **Yedoo Wolfer, Wolfer RS** můžete pomocí upevňovacích šroubků na obrázku upravit také polohu rohů.

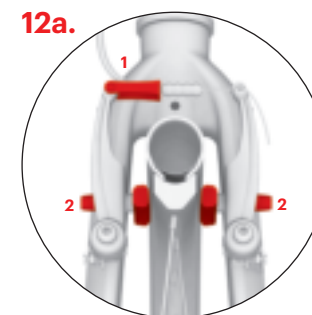


## Seřízení přední brzdy – Wolfer, Wolfer RS

Brzdové špalíky by při zabrzdění měly dosedat celou svou plochou na bok ráfku. Pokud ne, upravte jejich polohu pomocí šroubku, kterým jsou špalíky přichyceny k ramenům brzdy (1). Špalíky se nesmí dotýkat pláště a při uvolnění brzdové páčky by se měly 1-2 mm oddálit od ráfku. Vzdálenost špalíků lze upravit přitážením nebo povolením brzdového lanka v kotevním šroubu (2).

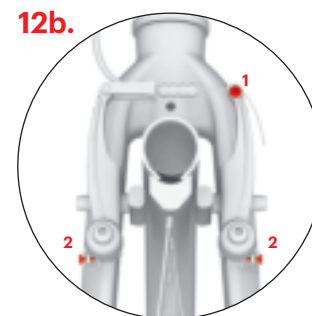


Pokud kolo při otáčení škrτά o brzdový špalík, pootočte celým brzdovým mechanismem tak, aby byla brzdová ramena stejnomořně vzdálena od ráfku. Polohu ramen uzamkněte otočením páčky (1) směrem dolů.

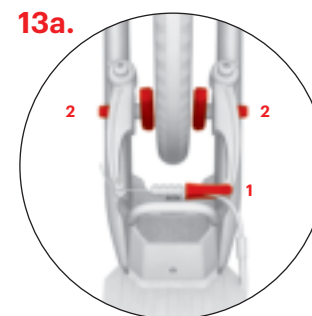


## Seřízení přední brzdy – Trexx

Vložte brzdové lanko zpět do vodička (1) a zkontrolujte, zda brzdové špalíky při zabrzdění dosedají celou svou plochou na bok ráfku. Pokud ne, upravte jejich polohu pomocí šroubku (2), kterým jsou špalíky přichyceny k ramenům V-brzdy. Špalíky se nesmí dotýkat pláště.

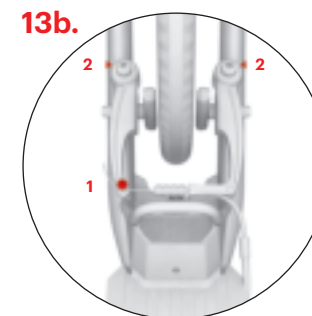


Zkontrolujte, zda se špalíky při uvolnění brzdové páčky dostatečně oddálí od ráfku (1-2 mm). Vzdálenost špalíků lze upravit přitážením či povolením brzdového lanka v kotevním šroubu (1). Pokud kolo při otáčení v některém místě škrτά o brzdový špalík, symetricky upravte vzdálenost brzdových ramen napínacími šroubky (2).



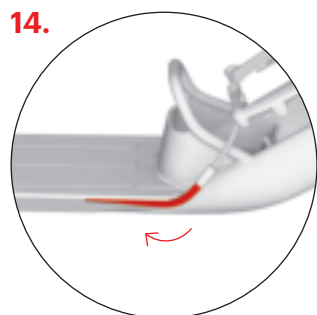
## Seřízení zadní brzdy (V-brzda)

Vložte brzdové lanko zpět do vodička (1). Zkontrolujte, zda brzdové špalíky při zabrzdění dosedají celou svou plochou na bok ráfku. Pokud ne, upravte jejich polohu pomocí šroubku (2), kterým jsou špalíky přichyceny k ramenům V-brzdy. Špalíky se nesmí dotýkat pláště.



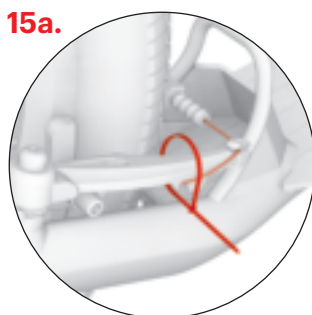
Zkontrolujte, zda se špalíky při uvolnění brzdové páčky dostatečně oddálí od ráfku (1-2 mm). Vzdálenost špalíků lze upravit přitážením či povolením brzdového lanka v kotevním šroubu (1). Pokud kolo při otáčení v některém místě škrτά o brzdový špalík, symetricky upravte vzdálenost brzdových ramen napínacími šroubky (2).

# Montážní návod

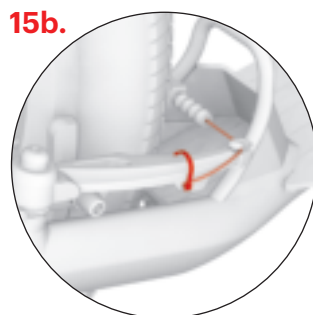


## 14. Upravení bowdenů (V-brzda)

Upravte polohu bowdenů tak, aby nikde (obzvláště u zadní vidlice) nepřesahovaly rám koloběžky.



15a. Konec brzdového lanka zafixujte do zámku a zabezpečte stahovací páskou.

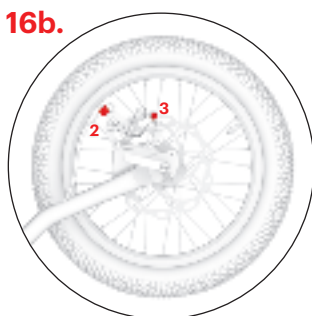


15b. Pásku poté zastříhnete (platí pro přední i zadní brzdu).

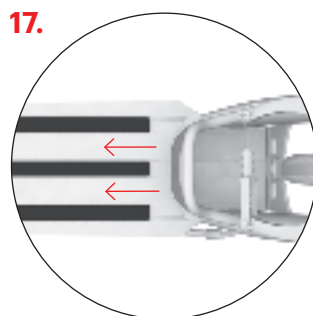


## 16a. Seřízení brzd - Trexx Disc

Na předním i zadním kole zkontrolujte, zda kotouč brzdy při roztočení kolečka neškrtná o brzdovou destičku. Pokud ano, povolte seřizovací šroubky (1) a nastavte polohu obou destiček tak, aby byly po celé své ploše rovnoběžné s kotoučem, poté seřizovací šroubky opět dotáhněte.

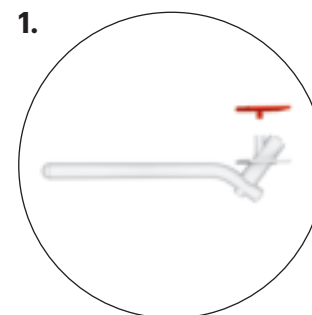


16b. Vzdálenost brzdových destiček od kotouče by měla být co nejmenší. Nastavit ji můžete pomocí seřizovacího válečku (2), který upravuje napětí brzdového lanka. Pokud to nestačí, přitáhněte, případně povolte lanko v kotevním šroubku (3).



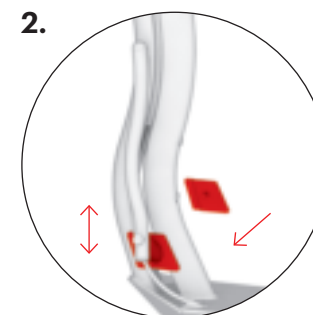
## 17. Protiskluzové pásky

V případě většího opotřebení pásek a snížení protiskluzového účinku doporučujeme jejich výměnu. Náhradní pásky lze dokoupit. Více na yedoo.eu. **Pozor:** Před aplikací stupátko řádně očistěte a odmastěte.

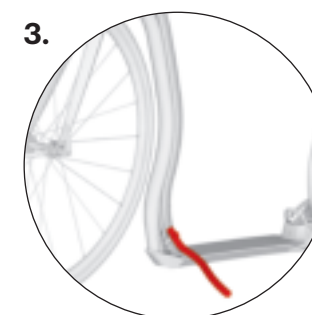


## 1. Montáž stojánu

Stojánek není součástí balení, stejně jako ostatní doplňky Yedoo si jej můžete dokoupit. Více na yedoo.cz.



2. Stojánek namontujte v místě, kde je přední profil rámu rozevřen. Výšku upevnění stojánu zvolte tak, aby pro daný model poskytl největší stabilitu. Stojánek by v záložní poloze neměl přesahovat rám koloběžky.



3. Maximální nosnost stojánu je cca 15 kg. Na zaparkovanou koloběžku nestoupejte.

## Bezpečnostní doporučení

Koloběžka je v základní výbavě určena pro jízdu za denního světla v prostorách vymezených pro sport a rekreaci, ideálně na hladkém a suchém povrchu.

Pro jízdu na pozemních komunikacích a pro jízdu za tmy ji musíte dovybavit bezpečnostními prvky (světla, odrazky atd.) v souladu s platnými předpisy ve vaší zemi. Dodržujte pravidla silničního provozu, zásady bezpečné jízdy a noste osobní ochranné pomůcky (přilbu, cyklistické rukavice, chrániče kolen a loktů, pevné boty apod.).

Před každou jízdou zkontrolujte funkčnost brzd a celkový technický stav koloběžky. Pneumatiky hustěte na maximální doporučenou hodnotu tlaku, viz boční strana pláště. Nepřekračujte její nosnost. Koloběžka je určena pouze pro jednoho jezdce. Vyvarujte se přetěžování koloběžky, koloběžka není určena pro skoky ani akrobatickou jízdu.

Všechny komponenty snižující rychlost (brzdové špalíky, ráfky, pneumatiky apod.) se při používání zahřívají, nedotýkejte se jich, dokud nevychladnou!

## Jízdní pokyny

Při jízdě mějte vždy obě ruce na říditkách. Zatímco se jednou nohou odrážíte, druhou nohou stůjte na stupátku koloběžky. Pravidelně střídějte odrazovou nohu. Pro zabrzdění stiskněte brzdové páčky na říditkách. Brzděte pomocí zadní brzdy, tu zpravidla ovládá pravá páčka. Přední brzdu používejte jen při přibrzdování nebo v případě nouze. **Pozor:** prudké zabrzdění může způsobit pád.

## Údržba

Řádná údržba zvýší bezpečnost a prodlouží životnost vaší koloběžky. Proto pravidelně dotahujte šroubové spoje, kontrolujte stav rychloupínáků, tlak v pneumatikách a mazávejte pohyblivé části (ložiska kol a řídiček, čepy brzdových páček, čelisti brzd, brzdová lanka atd.).

Dejte však pozor, aby se mazivo nedostalo na ráfky a brzdové destičky. Mastnota snižuje jejich účinek! Pokud se tak stane, odmastěte znečištěné části např. technickým benzínem. Pravidelně kontrolujte výšku vzorku na pláštích kol, v případě potřeby vyměňte pláště za nové se shodnými parametry. Koloběžku, která není připravena pro použití, vhodně označte.

Kontrolujte stav samojistných matic (pokud se za jízdy samovolně uvolňují, vyměňte je za nové).

**Pravidelně kontrolujte výplet kol, nestejněměrné napnutí drátů ve výpletu může způsobit jejich praskání nebo rozcentrování kol. Důležité je doseřízení nové koloběžky po záběhu, kdy dochází ke vzájemnému usazování dílů (tato doba je individuální a neměla by přesáhnout 150 km). Zanedbání může vést ke zničení uvolněných dílů.**

Koloběžku udržujte v čistotě, zašpinění otřete vlhkým hadrem. Skladujte ji uvnitř na suchém a stinném místě, dlouhodobě ji nevystavujte zvýšené vlhkosti ani extrémním teplotám. V případě dlouhodobého uskladnění, například při zazimování, udržujte pneumatiky dostatečně nahuštěné nebo koloběžku zavěste tak, aby nedocházelo k jejich zatěžování.

Výrobek splňuje náležitě normy EU (ČSN EN 14619 SPORTOVNÍ POTŘEBA) a získal certifikáty kvality a bezpečnosti od předního českého zkušebního ústavu (Strojirenský zkušební ústav, s. p.). Výrobce a dovozce do EU INTREA – PIKO, s.r.o., Sasanková 2657/2, 106 00 Praha 10, Česká republika, [www.yedoo.cz](http://www.yedoo.cz).

## Uplatnění práv z vadného plnění

### Obecná ustanovení

Obsah, rozsah a trvání práv kupujícího z vadného plnění zboží se řídí platnými právními předpisy České republiky, a to především příslušnými ustanoveními občanského zákoníku (z. č. 89/2012 Sb.) a zákona o ochraně spotřebitele (z. č. 634/1992 Sb.). Práva kupujícího ve smyslu těchto předpisů nejsou tímto dokladem ani v něm uvedenými informacemi nijak dotčena.

### Doba pro uplatnění práv z vadného plnění

Právo z vady u nově zakoupené koloběžky Yedoo (dále jen zboží) může kupující uplatnit v době 36 měsíců od jejího převzetí. Vytkne-li kupující vadu zboží oprávněně, lhůta pro uplatnění práv z vadného plnění neběží po dobu, po kterou kupující nemůže zboží užívat.

### Způsob uplatnění práv z vadného plnění

Práva z vadného plnění se uplatňují u prodejce, u kterého kupující zboží zakoupil (viz údaje níže). Při uplatnění vad zboží doporučujeme předložit tento doklad, doklad o koupi a kompletní, nečistot zbavenou koloběžku. O uplatnění práv z vadného plnění, případně o provedení opravy vystaví prodejce kupujícímu písemné potvrzení.

### Podmínky trvání práv z vadného plnění

Při montáži koloběžky musí být dodrženy pokyny uvedené v montážním návodu. Koloběžka musí být používána výhradně k účelu, k jakému byla vyrobena. Koloběžka musí být skladována a udržována podle výrobcem uvedených pokynů. Na vady způsobené výlučně nesprávnou montáží či používáním koloběžky v rozporu s uživatelskou příručkou se odpovědnost výrobce nevztahuje.

### Model koloběžky:

### Výrobní číslo rámu:

### Datum prodeje:

### Prodejce:

### Razítko a podpis:

# Einleitung

**Grundsätzlich empfehlen wir die Montage, Einstellung und regelmäßige Wartung einem spezialisierten Fahrradservice zu überlassen. Unsachgemäße Einsatz oder Veränderungen am Tretroller können Materialschäden und schwere Unfälle zur Folge haben.**

**Falls Sie technische Fertigkeiten besitzen und sich nicht davor scheuen, werden Sie allerdings sehen, dass die Montage ganz leicht ist.**

**Fragen, Bemerkungen und Verbesserungsvorschläge zu unseren Produkten schicken Sie uns bitte an unsere E-Mail Adresse: [info@yedoo.eu](mailto:info@yedoo.eu).**

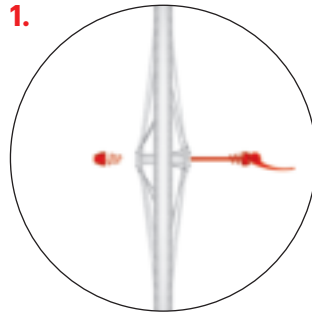
**Die Rahmen der Tretroller Yedoo sind geschützt durch ein eingetragenes Gemeinschaftsgeschmacksmuster, die kommerziellen Bezeichnungen sind durch eingetragene Marken geschützt.**

**Mehr Informationen aus der „Tretroller-Welt“ und eine Liste der Vertreiber finden Sie unter [www.yedoo.eu](http://www.yedoo.eu).**

# Montageanleitung

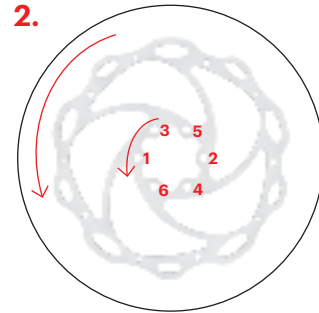
Das Montageverfahren ist für alle Modelle das gleiche, es unterscheidet sich nur in Details, siehe ergänzende Bilder.

Beim Festziehen überschreiten Sie nicht den angegebenen Festziehmoment.



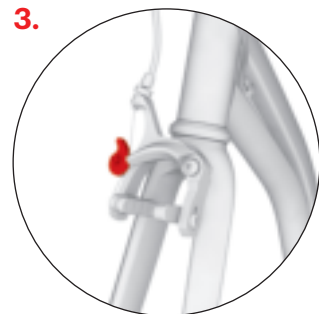
Montage des Rades

Setzen Sie den Schnellspannhebel in das Rad so ein, dass an jeder Seite eine Feder mit Verengung zur Radmitte ist. Wenn die Schnellspannhebel unterschiedlich lang sind, dann nehmen Sie den kürzeren fürs Hinterrad.

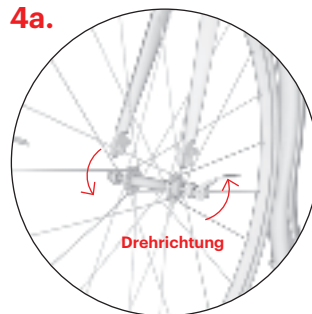


Bremsscheiben - Trexx Disc

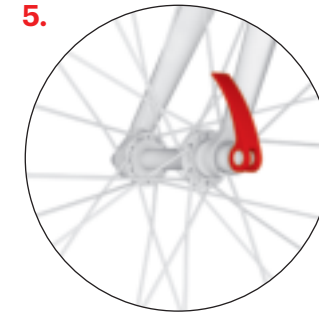
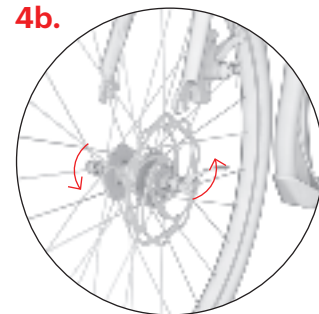
Stecken Sie die gesondert verpackten Bremsscheiben auf die Radnaben. Befestigen Sie den Rotor der Scheibenbremse so, dass der auf dem Rotor abgebildete Pfeil der Radrotation entspricht. Schrauben Sie den Rotor mit Hilfe des beiliegenden Schlüssels (Torx) an die Nabe. Beim Anziehen der Schrauben achten Sie bitte auf die Einhaltung der Aufeinanderfolge laut Bild.



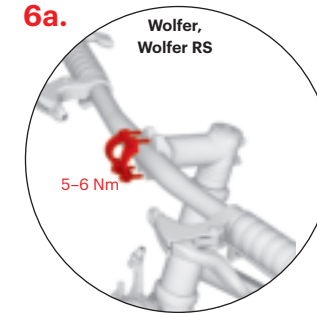
Kontrollieren Sie zuerst, ob die Vorderradgabel in die richtige Richtung gedreht ist (die Schenkel der V-Bremse / die Halterung am Rad zeigen nach vorn). Bei den Modellen Wolfer, Wolfer RS lockern Sie die Bremsbacken durch leichtes Drehen des Hebels. Beim Modell Trexx lösen Sie das Bremsseil vom Lenker und lockern so die Bremschenkel.



Führen Sie die Radachse in die Schlitz der vorderen Gabel so, dass es in der Mitte ist. **Achtung:** Das Laufflächenprofil des Reifens (Rillen in Form von Pfeilen) muss nach vorne in Fahrrichtung zeigen.

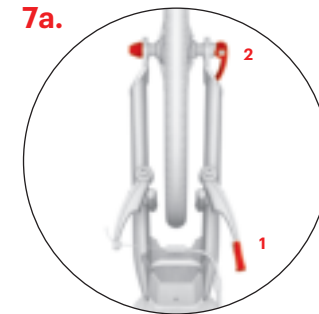
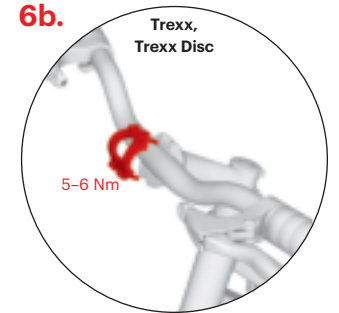


Drehen Sie die Schraubenmutter nur so nach, dass Sie vor dem Schließen des Schnellspannhebels einen Widerstand fühlen. Schließen Sie den Hebel so, dass er die Gabel nicht berührt und sich während der Fahrt nicht öffnen kann.



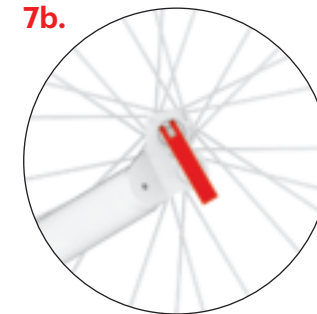
Anbringen der Lenkerstange

Installieren Sie die Lenkerstange an den Anbau und ziehen Sie die Schrauben des Lenkstangenvorbaus fest. Die Logos (auf der Abbildung nicht dargestellt) sollten bei Frontansicht lesbar sein.

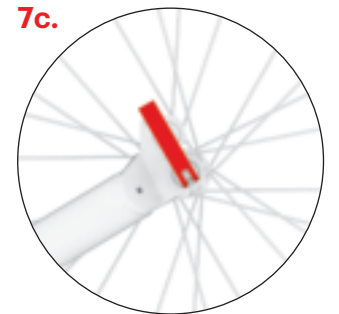


Montage des hinteren Rades (V-brake)

Hängen Sie das Bremsseil aus (1), setzen Sie das Rad in einen der beiden Gabelhalter ein, siehe Abb. 7b., 7c., das Rad zentrieren und den Schnellspannhebel (2) festziehen.

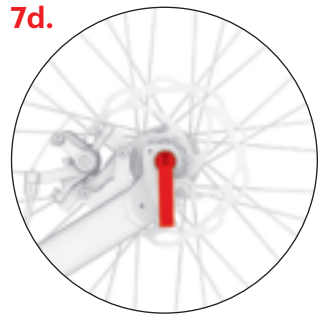


Die hintere Gabel mit zwei Positionen ermöglicht die Einstellung der Trittbrethöhe. Die obere Gabelhalterung, verringert die Höhe des Trittbretts und entlastet zugleich das Standbein, ist für Fahrten auf ebener Oberfläche bestimmt. Die Fahrt ist somit weniger anstrengend. Schließen Sie den Schnellspannhebel so, dass er nach unten zeigt.



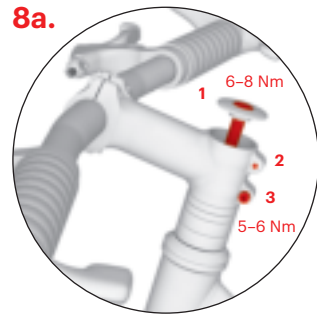
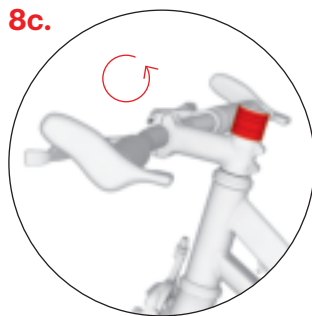
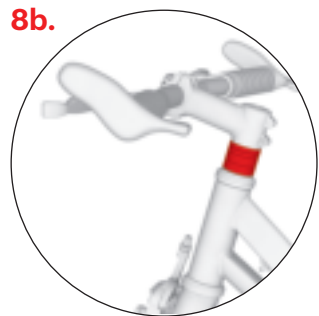
Die untere Gabelhalterung ist für Geländefahrten bestimmt. Schließen Sie den Schnellspannhebel so, dass er nach oben zeigt.

# Montageanleitung



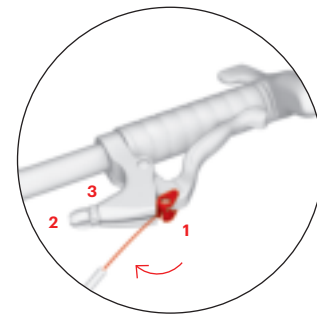
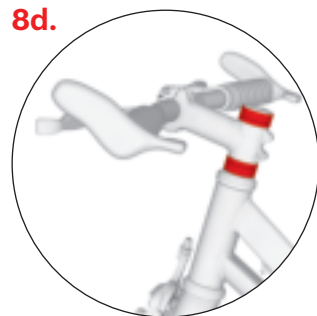
## Montage des Hinterrads (Bremscheibe)

Setzen Sie das Rad in die obere Halterung der Radgabel ein, zentrieren Sie es und ziehen Sie die Schnellspannhebel an. Die untere Halterung der Radgabel kann in der Grundeinstellung des Tretrollers nicht benutzt werden.



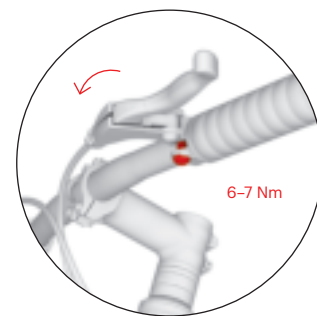
## Einstellung der Lenkerhöhe

Lockern Sie die Schrauben des Lenkstangenvorbaus und stellen Sie die gewünschte Höhe des Lenkers mit Hilfe der Ringe ein. Um die niedrigste Position einzustellen, drehen Sie den Lenkstangenvorbau nach unten, siehe Abb. 8c.. Nach der Einstellung ziehen Sie zuerst die Kopfschraube (1) fest, dann die Seitenschrauben (2, 3).



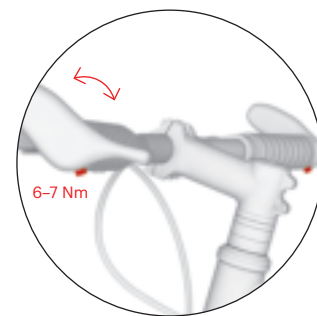
## Montage der Bremszüge

Ziehen Sie den Bremshebel auf das Maximum an und schieben Sie das verdickte Ende des Bremsseils in die Halterung. (1). Schieben Sie das Seil in die Nut und ziehen Sie die Stellschraube (2) und Mutter (3) fest. Wiederholen Sie den gleichen Vorgang bei beiden Hebeln. Der hintere Bremssteil wird in der Regel im rechten Bremshebel befestigt, der vordere im linken.



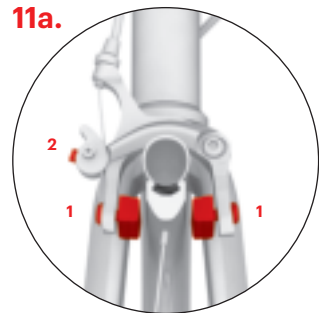
## Einstellen der Bremshebel

Lösen Sie bei beiden Bremshebeln die Schrauben Bremshebelbefassung. Richtiger Winkel der Bremshebel: Stellen Sie sich auf das Trittbrett, greifen Sie die Lenkstange so, damit sie die Gerade der Hände verlängert. Fixieren Sie die Bremshebel in diesem Winkel mit Hilfe der Schraube.



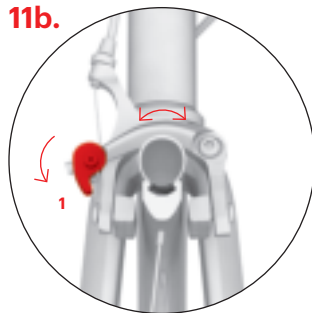
Beim **Yedoo Wolfer und Wolfer RS-Modell** können Sie mit Hilfe von Schrauben siehe Abbildung auch die Position der Hörner einstellen.

# Montageanleitung

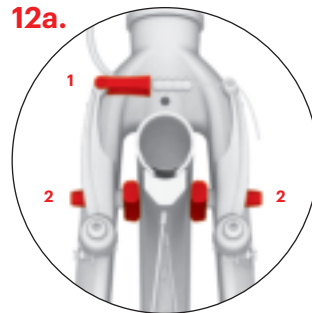


## Einstellung der vorderen Bremse – Wolfers, Wolfers RS

Die Bremsbeläge sollten beim Bremsen mit ihrer ganzen Fläche auf der Seitenwand der Felge aufliegen. Falls nicht, lösen Sie die Schraube der Bremsklötze an den Armen der V-Bremse (1) und positionieren diese. Die Klötze dürfen nie den Mantel des Reifens berühren und bei unbetätigtem Bremshebel sollte deren Abstand von der Felge etwa 1–2 mm betragen. Dieser Abstand lässt sich durch Anziehen oder Lockern des Bremsseils in der Fixierschraube (2) regulieren.

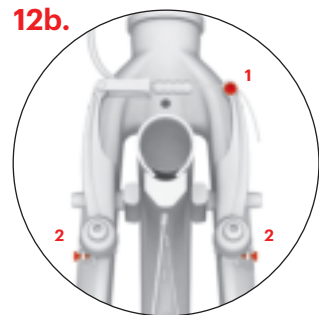


Falls der Reifen beim Drehen an irgendeiner Stelle den Bremsbelag streift, drehen Sie das ganze Bremssystem so, dass die Bremsarme von der Felge gleichmäßig entfernt sind. Durch das Drehen des Hebels nach unten (1) stellen Sie die Position ein.

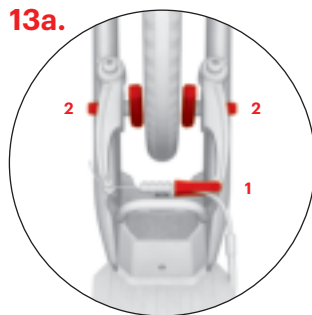


## Einstellung der vorderen Bremse – Trexx

Bremsseil in den Bremszug einhängen (1) und prüfen Sie, ob die Bremsbeläge beim Bremsen mit ihrer ganzen Fläche auf der Seitenwand der Felge aufliegen. Falls nicht, korrigieren Sie die Position mit Hilfe der Feststellschraube (2), mit der die Bremsklötze am Armen der V-Bremse fixiert sind. Die Klötze dürfen den Mantel des Reifens nicht berühren.

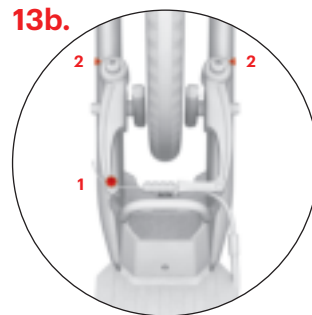


Überprüfen Sie, dass der Abstand der Bremsbeläge von der Felge bei unbetätigtem Bremshebel etwa 1–2 mm beträgt. Dieser Abstand lässt sich durch das Anziehen oder Lockern des Bremsseils in der Fixierschraube (1) regulieren. Falls der Reifen beim Drehen an irgendeiner Stelle den Bremsbelag streift, stellen Sie die Entfernung der Bremsarme durch die Spannschrauben (2) symmetrisch ein.

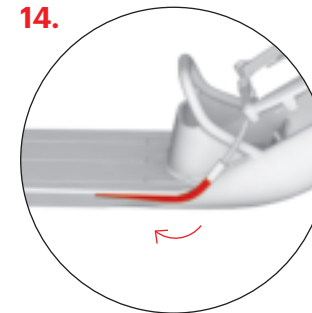


## Einstellung der hinteren Bremse

Bremsseil in den Bremszug einhängen (1) und prüfen Sie, ob die Bremsbeläge beim Bremsen mit ihrer ganzen Fläche auf der Seitenwand der Felge aufliegen. Falls nicht, korrigieren Sie die Position mit Hilfe der Feststellschraube (2), mit der die Bremsklötze am Armen der V-Bremse fixiert sind. Die Klötze dürfen den Mantel des Reifens nicht berühren.

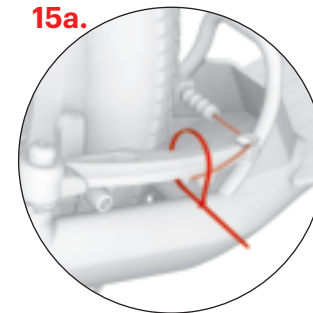


Überprüfen Sie, dass der Abstand der Bremsbeläge von der Felge bei unbetätigtem Bremshebel etwa 1–2 mm beträgt. Dieser Abstand lässt sich durch das Anziehen oder Lockern des Bremsseils in der Fixierschraube (1) regulieren. Falls der Reifen beim Drehen an irgendeiner Stelle den Bremsbelag streift, stellen Sie die Entfernung der Bremsarme durch die Spannschrauben (2) symmetrisch ein.

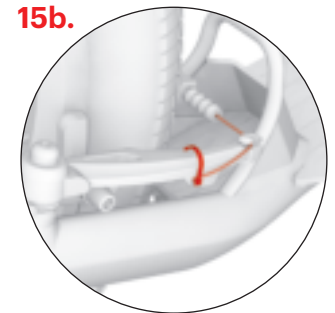


## Bowden-Einstellung (V-brake)

Positionieren Sie die Bowdens so, damit sie den Rahmen des Tretollers nicht überschreiten (insbesondere bei hinterer Gabel).

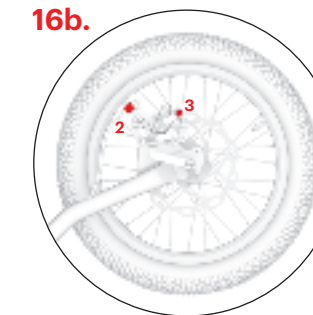


Biegen Sie das Ende des Bremsseiles so, dass es das Kind nicht stört wenn es fährt (gilt für die vordere und hintere Bremse).

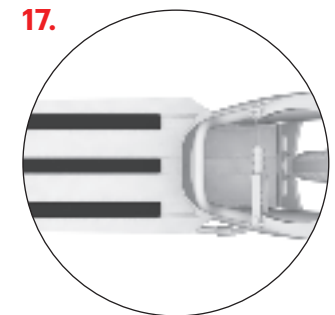


## Einstellen der Bremsen - Trexx Disc

Kontrollieren Sie am Vorder- und Hinterrad, ob die Bremsscheibe beim Andrehen des Rädchens nicht am Bremsbelag reibt. Wenn ja, dann lockern Sie die Stellschrauben (1) und stellen Sie die Position beider Beläge so ein, dass sie mit ihrer ganzen Fläche parallel zur Scheibe laufen, dann ziehen Sie die Stellschrauben wieder fest.



Der Abstand der Bremsbeläge von der Scheibe sollte so gering wie möglich sein. Sie können ihn mit Hilfe der Stellwalze (2) einstellen, die die Spannung des Bremsseils reguliert. Wenn das nicht ausreicht, dann ziehen Sie das Seil in der Ankerschraube (3) entweder an, oder lockern Sie es.

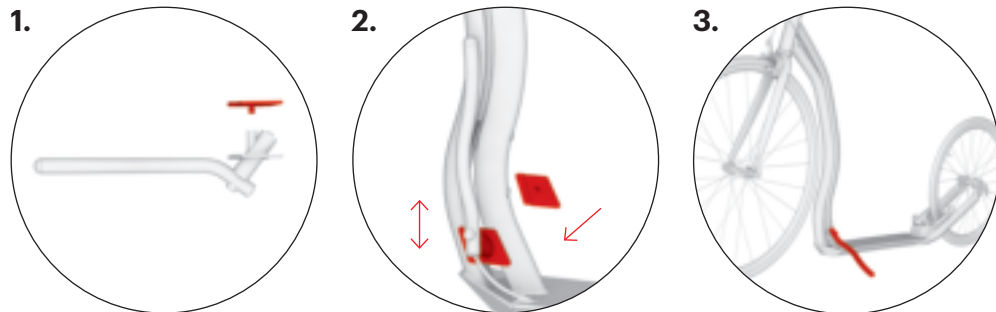


## Antirutsch-Streifen

Im Falle einer starken Abnutzung der Antirutsch-Streifen, wodurch deren Effekt herabgesetzt wird, empfehlen wir sie auszuwechseln. Ersatzstreifen sind erhältlich. Mehr unter [www.yedoo.eu](http://www.yedoo.eu). **Achtung:** Reinigen und entfetten Sie das Trittbrett vor der Aufbringung.



# Montageanleitung



## Montage des Ständers

Der Ständer ist im Lieferumfang nicht enthalten, sowie weiteres Zubehör, dass Sie bestellen können.

Montieren Sie den Ständer an der Stelle, wo das vordere Rahmenprofil geöffnet ist. Wählen Sie bei gegebenem Modell solche Befestigungshöhe, damit der Ständer genügend Stabilität bieten kann. Während der Fahrt sollte der Ständer nicht den Rahmen des Tretrollers überschreiten.

Maximale Tragfähigkeit des Ständers beträgt ca. 15 kg. Bei ausgeklappten Ständer nicht auf den Tretroller steigen.

## Sicherheits-Empfehlungen

Der Tretroller ist in seiner Grundausstattung für eine Fahrt bei Tageslicht auf Sportplätzen und Geländen in mäßig strukturiertem Gelände bestimmt.

Für die Fahrten auf Verkehrswegen und für die Fahrt im Dunkeln ist er mit Sicherheitselementen (Licht, Rückstrahler usw.) gemäß den geltenden Straßenvorschriften in Ihrem Land auszustatten. Halten Sie die Straßenverkehrsregeln sowie die Grundsätze des sicheren Betriebes ein und benutzen Sie Schutzmittel (Helm, Handschuhe, Ellbogen- und Knieschützer, feste Schuhe usw.).

Überprüfen Sie vor jeder Fahrt die Funktionsfähigkeit der Bremsen und den gesamten technischen Zustand des Tretrollers. Überschreiten Sie auf keinen Fall den max. Reifendruck, siehe an der Seite des Reifenmantels. Überschreiten Sie nicht die max. Tragfähigkeit. Der Tretroller ist nur für eine Person bestimmt. Der Tretroller ist nicht für Belastungen wie Akrobatik und Sprünge ausgelegt.

Alle Bauteile, die die Geschwindigkeit regulieren (Bremsbeläge, Felgen, Reifen usw.) erwärmen sich während der Nutzung, fassen Sie diese nicht an, solange sie nicht abgekühlt sind!

## Fahrhinweise

Halten Sie bei der Fahrt immer beide Hände auf der Lenkstange. Während Sie sich mit einem Fuß abstoßen, stehen Sie mit dem Anderen auf dem Trittblech des Tretrollers. Wechseln Sie regelmäßig das Bein mit dem Sie sich abstoßen. Ziehen Sie für das Bremsen die Bremshebel in Richtung Lenkerstange. Bremsen Sie mit Hilfe der hinteren Bremse, diese wird in der Regel mit dem rechten Hebel bedient. Die vordere Bremse benutzt man beim leichten Anbremsen oder im Notfall gemeinsam mit der Hinter Bremse bei gezielten Notbremsungen. **Vorsicht:** ein scharfes Bremsen kann einen Sturz zur Folge haben.

## Wartung

Richtige und regelmäßige Wartung erhöht die Sicherheit und verlängert die Lebensdauer Ihres Tretrollers. Deshalb ziehen Sie regelmäßig die Schraubenverbindungen nach, prüfen Sie den Zustand der Schnellspannhebel, den Luftdruck in den Reifen und schmieren Sie die beweglichen Teile (Lager der Räder und Lenkerstange, Stifte der Bremshebel, Bremsbacken, Bremsseile usw.).

Achten Sie aber darauf, dass das Schmiermittel nicht auf die Felgen oder Bremsbeläge gelangt. Das Schmiermittel reduziert die Bremswirkung entscheidend! Falls es trotzdem passiert, entfetten Sie die verunreinigten Teile z.B. mit technischem Benzin. Prüfen Sie regelmäßig die Profiltiefe an den Reifen, bei Bedarf gegen neue mit gleichen Parametern tauschen. Fahruntüchtige Tretroller sollten geeignet gekennzeichnet werden.

Prüfen Sie den Zustand der Sicherheitsmutter (werden sie während der Fahrt locker, tauschen Sie sie gegen neue).

**Kontrollieren Sie regelmäßige die Speichen, durch ungleichmäßige Drahtspannung können sie Brechen oder die Räder exzentrisch werden. Wichtig ist, einen neuen Tretroller / ein neues Laufrad**

nach dem Einfahren, bei dem die Teile sich setzen (diese Zeit ist individuell und sollte 150 km nicht überschreiten), nachzustellen. Vernachlässigung kann zur Zerstörung locker gewordener Teile führen.

Halten Sie den Tretroller sauber, wischen Sie Schmutz mit einem feuchten Tuch ab. Bewahren Sie die Geräte drinnen, an einem trockenen, schattigen Platz auf, setzen Sie sie nicht langfristig hoher Feuchtigkeit oder extremen Temperaturen aus. Wenn der Roller längere Zeit untergebracht werden soll, beim Überwintern zum Beispiel, achten Sie darauf, dass die Reifen ausreichend aufgepumpt sind, oder hängen Sie den Roller so auf, dass er nicht belastet wird.

Das Produkt erfüllt die erforderlichen EU Normen (ČSN EN 14619 SPORTBEDARF) und erhielt ein Qualitäts- und Sicherheitszertifikat von der führenden tschechischen Prüfanstalt (Maschinenbau-Prüfanstalt, s. p.).

Hersteller und Einführer in EU INTREA-PIKO, s.r.o., Sasanková 2657/2, 106 00 Praha 10, Tschechische Republik, [www.yedoo.eu](http://www.yedoo.eu).

## Garantieschein

### Allgemeine Bestimmungen

Der Inhalt, Umfang, sowie die zeitliche Gültigkeit der Garantie richten sich nach den gesetzlichen Rechtsvorschriften der Tschechischen Republik, insbesondere nach den Bestimmungen des Bürgerlichen Gesetzbuches (Nr. 89/2012 Slg.) und des Verbraucherschutzgesetzes (Nr. 634/1992 Slg.). Die Käuferrechte bleiben im Sinne dieser Vorschriften durch diese Informationen unberührt.

### Garantiebedingungen

Das Produkt muss gemäß der Montageanleitung zusammengebaut werden. Der Tretroller muss gemäß den Herstelleranweisungen gelagert und gewartet werden und darf nicht zweckentfremdet verwendet werden. Der Hersteller haftet nicht für Schäden, die durch falsche Montage oder durch Nutzung in anderer als in diesem Benutzerhandbuch erläuterten Art und Weise entstehen.

### Garantiedauer

Die Garantiedauer beträgt bei einem neu gekauften Tretroller Yedoo (weiter nur Produkt) 36 Monate ab Abnahme. Ist der Anspruch aufgrund tatsächlicher Produktmängel berechtigt, so läuft ist bis zur Behebung der Mängel die Laufzeit der Garantie ausgesetzt.

### Garantieanspruch

Der Garantieanspruch wird beim Händler geltend gemacht, bei dem die Ware gekauft wurde (siehe unten). Wir empfehlen, die Rechnung, die ausgefüllte Garantiekarte, sowie das vollständig gereinigte Produkt beim Händler vorzulegen. Der Händler wird dem Käufer im Gegenzug eine Übergabebestätigung für die Übernahme zur Garantieabwicklung aushändigen.

Produkt/Modell:

Produktionsnummer des Rahmens:

Verkaufsdatum:

Verkäufer:

Stempel und Unterschrift:

# Введение

Для монтажа, настройки и регулярного ухода рекомендуем обратиться в профессиональный велосервис. Непрофессиональные вмешательства могут привести к повреждению самоката или аварии с серьезными последствиями для здоровья.

Однако если вы технически подкованы, ничего не бойтесь и займитесь сборкой вместе с нами.

Вопросы, замечания и предложения по улучшению наших изделий, пожалуйста, посылайте нам на e-mail: [info@yedoo.eu](mailto:info@yedoo.eu).

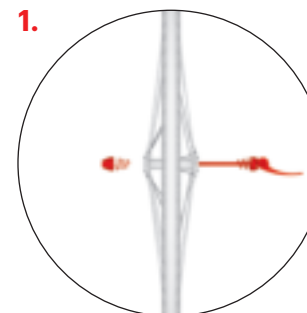
Рамы самокатов Yedoo являются защищенными и зарегистрированными промышленными образцами Евросоюза, коммерческие названия защищены зарегистрированными товарными знаками.

Дополнительную информацию о свете самокатов и список дистрибуторов найдете на [www.yedoo.eu](http://www.yedoo.eu).

# Инструкция по монтажу

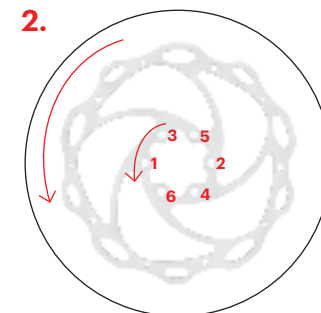
Процесс сборки одинаков для всех моделей, отличается только деталями, см. дополнительные иллюстрации.

При затяжке соединений не превышайте указанного момента усилия.



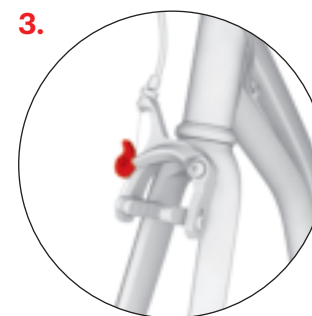
Монтаж колес

В колесо вложите эксцентрик так, чтобы на каждой стороне была одна пружинка со суженным концом, направленным к центру колеса. Если быстросъемные зажимы разной длины, для заднего колеса используйте тот, что короче.



Тормозные диски

Прикрепите отдельно упакованные тормозные диски к ступицам колес. Установите ротор дискового тормоза так, чтобы стрелка на роторе соответствовала вращению колеса. Закрепите ротор на ступице с помощью прилагаемого ключа (torx). При затягивании винтов обязательно соблюдайте последовательность, как показано на рисунке.



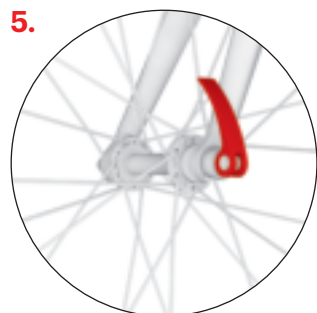
Вначале убедитесь, находится ли передняя вилка в правильном положении (рычаги V-тормоза и место крепления колеса находятся впереди). У моделей Wolfer, Wolfer RS ослабьте тормозные колодки, повернув рычаг. Для Tgexx ослабьте тормозной трос в хомуте и затем разведите рычаги тормоза.



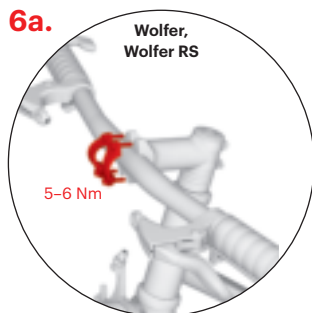
Колесо вставьте в переднюю вилку так, чтобы оно было точно посередине. **Внимание:** Рисунок покрышки должен быть направлен в сторону движения, см. стрелку направления на боку покрышки.



# Инструкция по монтажу

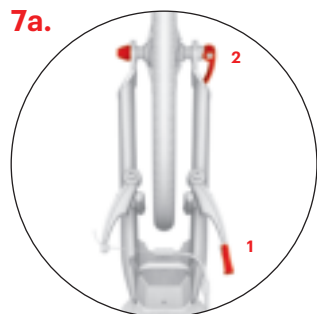
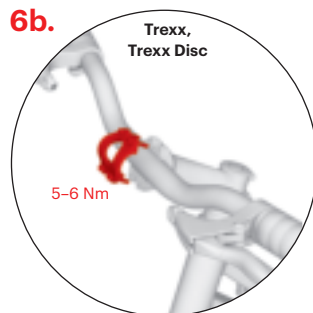


Затяните настроечную гайку эксцентрика так, чтобы перед закрытием рычажка эксцентрика вы почувствовали значительное сопротивление. Рычажок закройте в таком положении, чтобы он не прикасался к вилке, и в то же время чтобы исключить его случайное открытие во время езды.



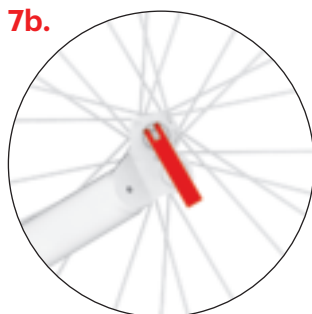
## Установка руля

Руль установите на вынос руля и затяните болты хомута. Надписи на руле (не изображены на рисунке) должны быть видны при взгляде спереди.

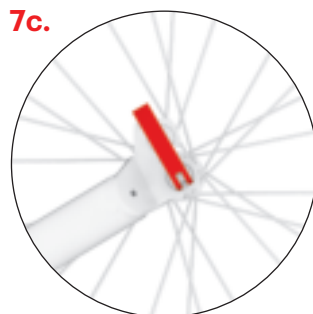


## Монтаж заднего колеса

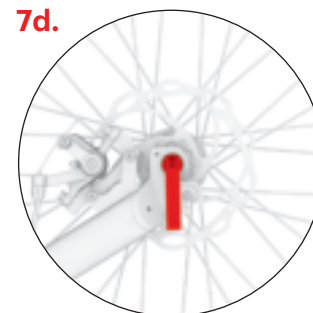
Ослабьте тормозной трос в хомуте (1), вложите колесо в одну из скоб вилки, см. рис. 7b., 7c., колесо отцентрируйте и затяните эксцентрик (2).



Двухпозиционная задняя вилка позволяет приспособить высоту деки. Верхняя скоба вилки, которая снизит высоту деки и в то же время разгрузит опорную ногу, предназначена для езды по гладкой и ровной поверхности. Езда будет физически легче. Рычаг эксцентрика закройте в направлении вниз.

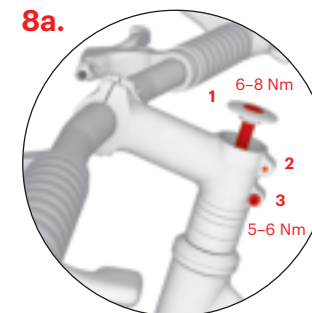


Нижнюю скобу используйте для езды по бездорожью. Эксцентрик закройте так, чтобы его рычажок был направлен вверх.



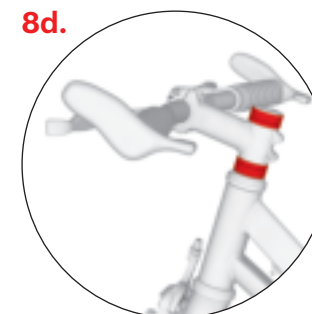
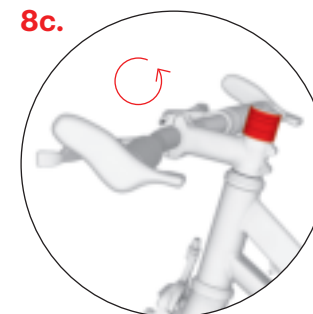
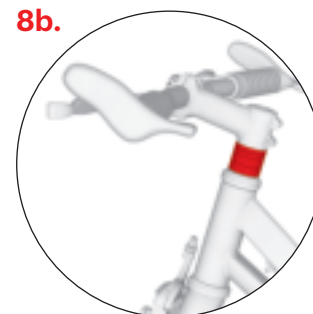
## Установка заднего колеса (дисковые тормоза)

Колесо вставьте в верхнее посадочное место вилки, отцентрируйте и затяните быстросъемный зажим. Нижнее посадочное место вилки нельзя использовать для базовой настройки самоката.

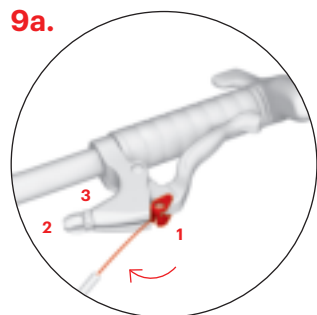


## Настройка высоты руля

Ослабьте болты на выносе руля и установите требуемую высоту руля с помощью дистанционных колец. Для получения минимальной высоты поверните вынос руля так, чтобы он был направлен вниз, см. рис. 8c.. После настройки высоты руля сначала затяните головной болт (1), только после этого боковые винты (2, 3).

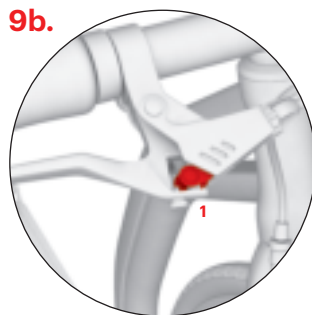


# Инструкция по монтажу

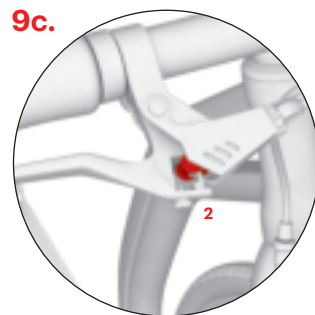


## Установка тормозных тросов

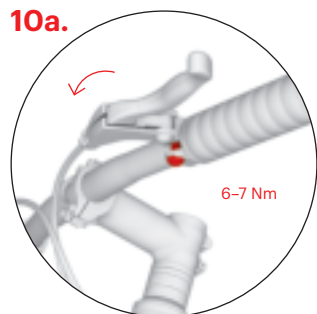
Нажмите ручку тормоза до упора, а в круглое гнездо (1) вложите конец тормозного троса. Трос вложите в канавку и затяните установочный болт (2) и гайку (3). Монтаж второго тормоза проводится аналогичным способом. Задний тормозной трос, как правило, крепится к правой ручке тормоза, передний к левой.



**Wolfier и Wolfier RS** используют специальные рычаги, которые позволяют их правильно перенастроить в зависимости от типа тормоза. Если тормозной рычаг включает V-тормоз (заднее колесо), то тормозной трос должен быть помещен в положение (1). Если рычаг управляет передним Caliper-тормозом (переднее колесо), тормозной трос должен быть помещен в положение (2).

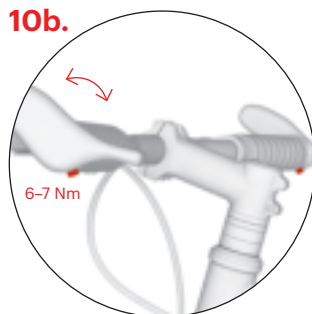


**Регулировка положения:** слегка нажмите на тормозной рычаг, чтобы увидеть крепление тормозного троса. Поверните предохранительный штифт и переместите крепление тормозного троса в требуемое положение. Поворотом предохранительного штифта снова заблокируете крепление тормозного троса.

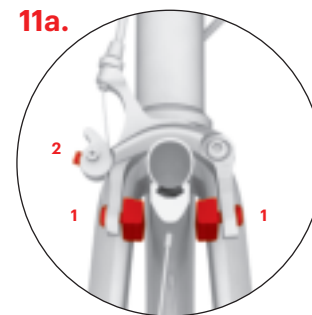


## Настройка наклона ручек тормоза

Ослабьте крепёжные винты на хомутах обеих ручек тормоза. Правильный наклон ручек тормоза настройте так: встаньте на деку, возьмитесь за руль и протяните пальцы так, чтобы они продолжали прямую руку. В это положение настройте ручки, и затяните крепёжные винты у обеих ручек.

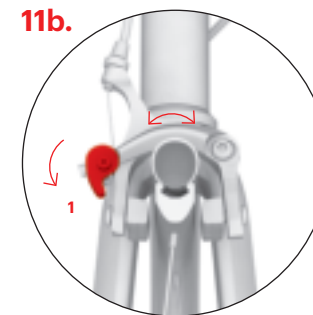


В модели Yedoo **Wolfier и Wolfier RS** можете с помощью крепёжных болтиков (на рисунке) также настроить положение рогов.

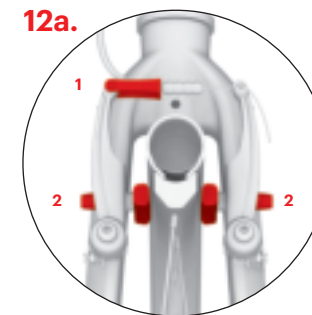


## Настройка переднего тормоза – Wolfier и Wolfier RS

Тормозные колодки при торможении должны прилегать всей своей поверхностью на боковину обода. В противном случае измените их положение с помощью болтика, которым эти колодки прикреплены к плечам тормоза (1). Колодки не должны прикасаться к покрышке и при отпущенной ручке тормоза должны быть на расстоянии 1–2 мм от обода. Расстояние между колодками и ободом можно настроить, прижав или ослабив тормозной трос в крепёжном болте (2).

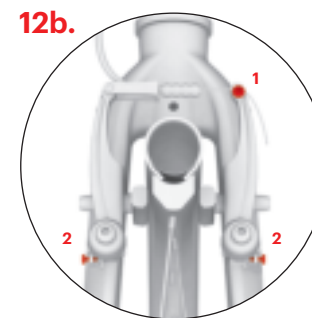


Если колесо при вращении задевает тормозную колодку, поверните слегка весь тормозной механизм так, чтобы плечи тормоза были на одинаковом расстоянии от обода. Положение плеч зафиксорируйте, повернув рычажок вниз (1).

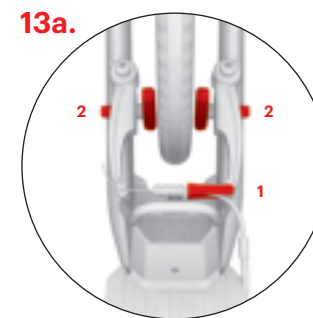


## Настройка переднего тормоза – Trexx

Вставьте тормозной трос обратно в хомут (1) и проверьте, чтобы тормозные колодки при торможении прилегали всей своей поверхностью на боковину обода. В противном случае настройте их положение с помощью болтиков (2), которым колодки прикреплены к рычагам ободного тормоза. Колодки не должны прикасаться к покрышке.

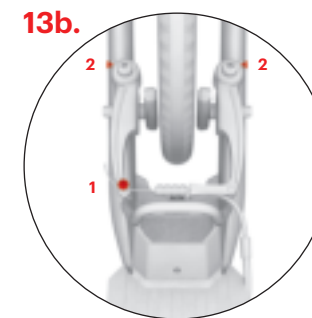


Проверьте, чтобы при отпуске ручки тормоза колодки достаточно отделились от обода (1–2 мм). Расстояние между колодками и ободом можно настроить, прижав или ослабив тормозной трос в крепёжном болте (1). Если колесо при вращении в каком-либо месте трётся о тормозную колодку, измените симметрично расстояние до рычагов тормоза с помощью натяжных болтиков (2).



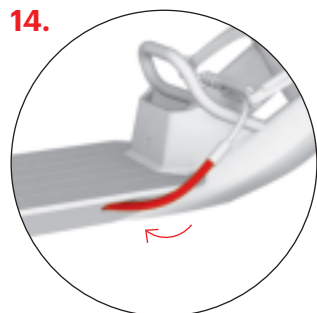
## Настройка заднего тормоза (V-brake)

Вложите тормозной трос обратно в хомут (1). Проверьте, чтобы тормозные колодки при торможении прилегали всей своей поверхностью на бок обода. В противном случае настройте их положение с помощью болтиков (2), которым колодки прикреплены к рычагам ободного тормоза. Колодки не должны прикасаться к покрышке.



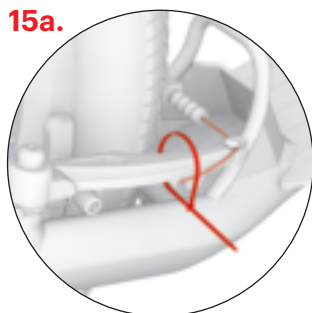
Проверьте, чтобы при отпуске ручки тормоза колодки достаточно отделились от обода (1–2 мм). Расстояние между колодками и ободом можно настроить, прижав или ослабив тормозной трос в крепёжном болте (1). Если колесо при вращении в каком-либо месте трётся о тормозную колодку, измените симметрично расстояние до рычагов тормоза с помощью натяжных болтиков (2).

# Инструкция по монтажу



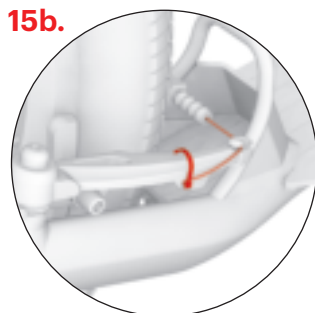
## 14. Настройка тросов Боудена (V-brake)

Настройте положение тросов Боудена так, чтобы они нигде (особенно в области задней вилки) не выходили за пределы рамы самоката.



## 15a.

Закрепите конец троса тормоза в замке и закрепите его затяжным хомутом, затем отрежьте лишний конец (относится как к передним, так и к задним тормозам).

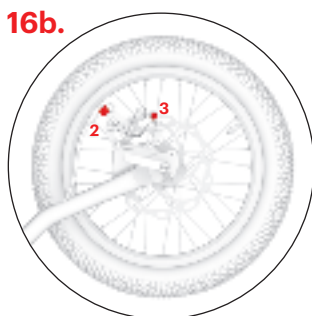


## 15b.



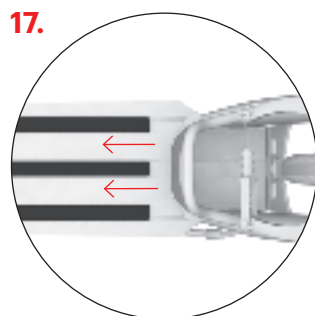
## 16a. Регулировка тормозов - Trexx Disc

На переднем и заднем колесах убедитесь, что тормозной диск при прокрутке колеса не задевает за тормозную колодку. Если это случается, то ослабьте регулировочные винты (1) и отрегулируйте положение обеих колодок так, чтобы они были по всей плоскости параллельны поверхности диска, затем снова затяните регулировочные винты.



## 16b.

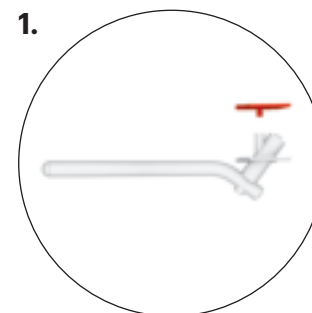
Расстояние тормозных колодок от диска должно быть как можно меньше. Вы можете отрегулировать его с помощью подстроечного ниппеля (2), который регулирует натяжение тормозного троса. Если этого недостаточно, подтяните или ослабьте трос в анкерном болте (3).



## 17.

## Противоскользящие ленты

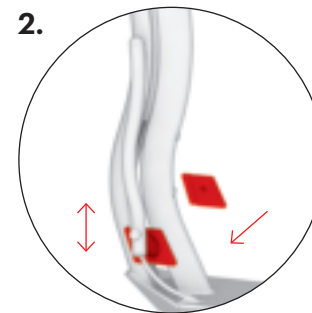
В случае сильного износа лент и уменьшения противоскользящего эффекта рекомендуем их заменить. Запасные ленты можно докупить. Подробнее на [yedoo.eu](http://yedoo.eu).  
**Внимание:** Перед применением подножку следует тщательно очистить и обезжирить.



## 1.

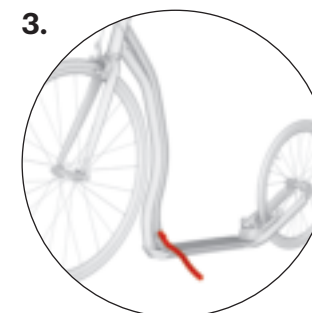
## Монтаж подножки

Подножка не входит в комплект; её, как и остальные принадлежности Yedoo можете купить дополнительно. Подробности на [yedoo.cz](http://yedoo.cz).



## 2.

Подножку установите в месте, где раскрывается передний профиль рамы. Высоту крепления подножки выберите так, чтобы для данной модели обеспечить максимальную стабильность. Подножка в сложенном положении не должна выходить за пределы рамы самоката.



## 3.

Максимальная несущая способность подножки – около 15 кг. Не вставляйте на запаркованный самокат.

## Рекомендации по безопасности

Самокат с базовым оснащением предназначен для езды при дневном свете на площадках, предназначенных для спорта и отдыха, предпочтительно на гладкой и сухой поверхности.

Для езды по дорогам и в тёмное время суток его необходимо дооснастить элементами безопасности (фонари, катафоты и т.д.) в соответствии с предписаниями, действующими в вашей стране. Соблюдайте правила дорожного движения, принципы безопасной езды и носите индивидуальные защитные средства (шлем, велосипедные перчатки, защитные наколенники и налокотники, прочную обувь и т.д.)

Перед каждой ездой проверьте работоспособность тормозов и общее техническое состояние самоката. Покрышки накачивайте на максимальное рекомендуемое значение давления, см. боковую сторону покрышки. Не превышайте их несущую способность. Самокат предназначен только для одного ездока. Избегайте перегрузки самоката, самокат не предназначен для прыжков или акробатической езды.

Все компоненты, снижающие скорость (тормозные колодки, обода, покрышки и т.д.) при использовании нагреваются, не прикасайтесь к ним, пока они не остынут!

## Советы по использованию самоката

Во время катания всегда держите руль обеими руками. При отталкивании одной ногой, поместите другую ногу на подножку самоката. Регулярно меняйте толчковую ногу. Для того чтобы тормозить, нажмите на тормозные рычаги на руле. Чаще используется правый рычаг, который управляет задними тормозами. Передний тормоз служит для редких торможений и торможений при чрезвычайных ситуациях  
**Предупреждение:** насильственное внешнее торможение самоката может привести к травме.

## Уход

Надлежащий уход способствует повышению безопасности и увеличивает срок службы вашего самоката. Поэтому регулярно подтягивайте болтовые соединения, проверяйте состояние эксцентриксов, давление в колёсах и смазывайте движущиеся части (подшипники колёс, оси ручек тормоза, плечи тормозов, тормозные тросы и т.д.).

При этом следите за тем, чтобы смазка не попала на обод и тормозные колодки. Наличие смазки на них снижает их эффективность! Если это все же произойдет, обезжирьте загрязнённые части, например, техническим бензином. Регулярно проверяйте глубину рисунка на покрышках колёс, при необходимости замените покрышки новыми с подобными параметрами. Самокат, не готовый к использованию, обозначьте подходящим способом.

Контролируйте состояние самостопорных гаек (если они при езде самопроизвольно ослабляются, то замените их новыми).

Регулярно проверяйте спицовку колеса: неравномерное натяжение спиц может привести к их обрыву или расцентровке колес. Важно подрегулировать новый самокат/ беговел после обкатки, когда все детали приработаются (это время индивидуально, но не должно

превышать 150 км). Невыполнение этого требования может привести к повреждению ослабившихся частей.

Содержите самокат в чистоте и протирайте от загрязнений влажной тканью. Храните его в помещении в сухом и темном месте, не подвергайте длительному воздействию повышенной влажности и экстремальных температур. В случае длительного хранения, например, зимой, держите шины достаточно накаченными или подвесьте самокат так, чтобы они не были нагружены.

Изделие отвечает соответствующим нормам ЕС (ČSN EN 14619 СПОРТИВНЫЕ СРЕДСТВА) и получило сертификаты качества и безопасности от головного чешского испытательного органа (ГУ «Машиностроительный испытательный центр»).

Производитель и импортёр в ЕС INTREA – PIKO, s.r.o., ул. Сасанкова 2657/2, 106 00 Прага 10, Чешская Республика, www.yedoo.eu.

## Порядок предъявления рекламаций

### Общие положения

Содержание, диапазон и продолжительность гарантийного периода руководствуются правовыми нормами Чешской Республики, главным образом соответствующими положениями Гражданского кодекса (закон № 89/2012 Св.), и закона об охране потребителя (закон № 634/1992 Св.). Права покупателя в соответствии с данными правовыми нормами не затронуты ни настоящим документом, ни содержащейся в нём информацией.

### Гарантийный период

Гарантийный период на новый купленный самокат Yedoo (далее только «товар») составляет 36 месяца от момента его первого приобретения. В случае обоснованной рекламации покупателя, гарантийный период продлевается на время, в течение которого покупатель не мог товаром пользоваться.

### Порядок подачи рекламации

Рекламация подаётся у продавца, у которого покупатель товар купил (см. данные ниже). При подаче рекламации рекомендуем предъявить настоящий документ, документ, подтверждающий покупку, и комплектный, очищенный от загрязнений самокат. О предъявлении рекламации и о возможном проведении ремонта продавец оформит письменное подтверждение для покупателя.

### Гарантийные условия

При монтаже самоката должны соблюдаться указания, приведённые в инструкции по монтажу. Самокат должен применяться исключительно для целей, для которых он был произведён. Самокат должен храниться и обслуживаться в соответствии с указаниями, установленными производителем. На дефекты, возникшие исключительно в результате неправильного монтажа или использования самоката в противоречии с инструкцией по применению, не распространяется ответственность производителя.

### Модель самоката:

### Серийный номер рамы:

### Дата продажи:

### Продавец:

### Печать и подпись:

# Úvod

Montáž, nastavenie a pravidelnú údržbu odporúčame zveriť odbornému cykloservisu. Neodborné zásahy môžu poškodiť kolobežku alebo zapríčiniť nehodu s vážnymi zdravotnými následkami.

Ak ste však technicky zdatní, ničoho sa nebojte a s chuťou sa do montáže pusťte s nami.

Otázky, pripomienky a návrhy na zlepšenie našich výrobkov nám prosím posielajte na e-mail: [info@yedoo.eu](mailto:info@yedoo.eu).

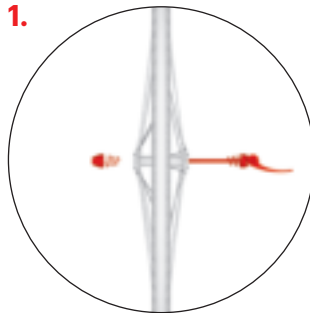
Rámy kolobežiek Yedoo sú chránené zapísanými priemyslovými vzormi Spoločenstva, obchodné názvy sú chránené zapísanými ochrannými známkami.

Viacej informácií zo sveta kolobežiek a zoznam distribútorov nájdete na [www.yedoo.eu](http://www.yedoo.eu)

# Návod na montáž

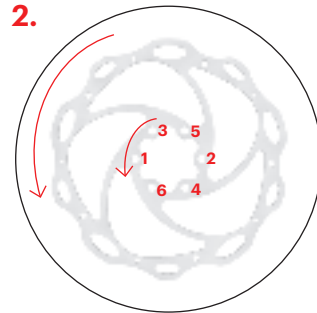
Postup montáže je pre všetky modely rovnaký, líši sa len v detailoch – pozri doplňujúce obrázky.

**Pri utahovaní spojov neprekračujte uvedený moment utiahnutia.**



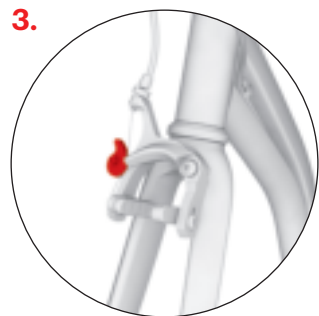
## Montáž koles

Do kolesa vložte rýchlopínač tak, aby na každej strane bola jedna pružinka so zúžením smerujúcim k stredu kolesa. V prípade, že sú rýchlopínače rôzne dlhé, použite kratšie pre zadné koleso.

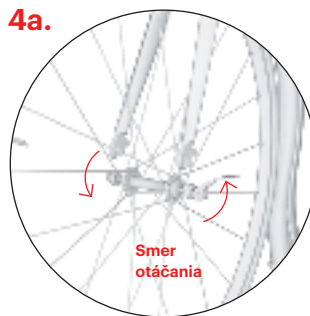


## Kotúčové brzdy – Trexx Disc

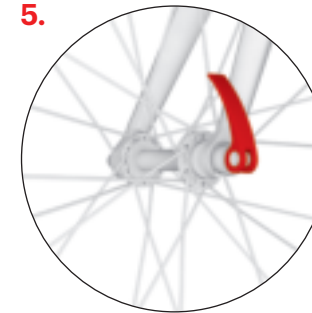
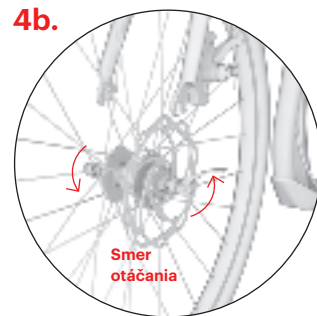
Nasaďte samostatne balené brzdové kotúče na náboje kolies. Rotor diskovkej brzdy pripievajte tak, aby šípka zobrazená na rotore zodpovedala rotácii kolesa. Priskrutkujte rotor k náboju pomocou priloženého kľúča (torx). Počas dotahovania skrutiek dbajte na dodržanie postupnosti podľa obrázka.



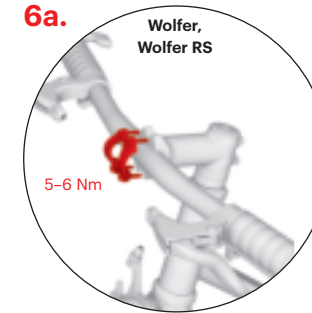
Najprv skontrolujte, či je predná vidlica kolobežky natočená v správnom smere (ramená V-brzdy/úchyty na koleso smerujú dopredu). Pri modeloch Wolfer, Wolfer RS uvoľnite brzdové čelusti pootočením páčky. Pri modeli Trexx uvoľnite brzdové lanko z vodidla a uvoľnite brzdové ramená.



Koleso vsaďte do prednej vidlice tak, aby bolo presne uprostred. **Pozor:** vzor pneumatiky by mal smerovať dopredu v smere jazdy, pozri smerovú šípku na boku pláštá.

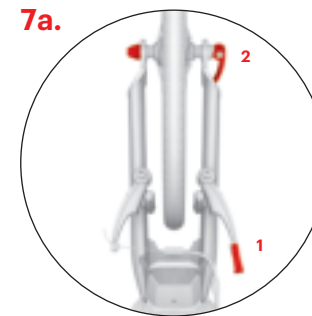
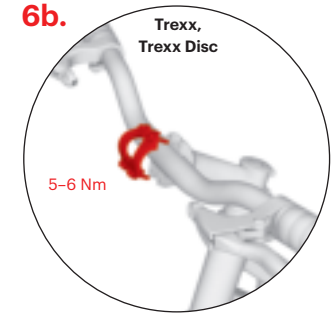


Dotiahnite nastavovaciu maticu rýchlopínača tak, aby ste tesne pred dovretím rýchlopínacej páčky cítili značný odpor. Páčku zavrite v takej pozícii, aby sa nedotýkala vidlice a zároveň nemohlo dôjsť k jej náhodnému otvoreniu počas jazdy.



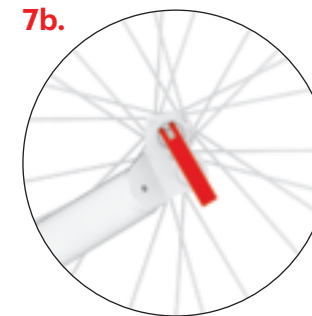
## Montáž riadidiel

Riadidlá inštalujete na predstavec a utiahnite skrutky objímky. Logá (nie sú zobrazené na obrázku) by mali byť pri čelnom pohľade čitateľné.

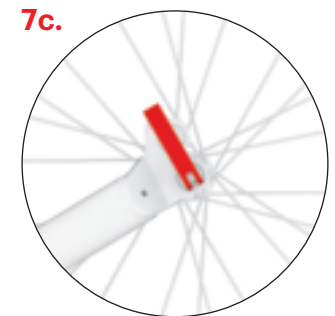


## Montáž zadného kolesa (V-brzda)

Uvoľnite brzdové lanko z vodidla (1), koleso vložte do jedného z dvoch úchytoz vidlice, pozri obr. 7b., 7c., koleso vycentrujte a dotiahnite rýchlopínač (2).



Dvojpolohová zadná vidlica umožňuje prispôbiť výšku stúpadla. Horný úchyt vidlice, ktorý zníži výšku stúpadla a zároveň odľahčí stojacej nohe, je určený pre jazdu na hladkom a rovnom povrchu. Jazda bude fyzicky menej namáhavá. Rýchlopínaciu páčku dovrite tak, aby smerovala nadol.



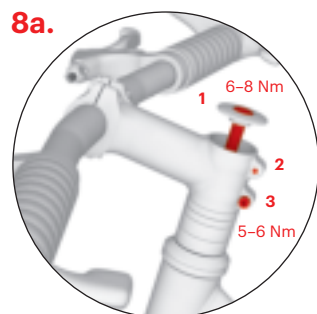
Spodný úchyt použite pri jazde po teréne. Rýchlopínaciu páčku dovrite tak, aby smerovala nahor.

# Návod na montáž



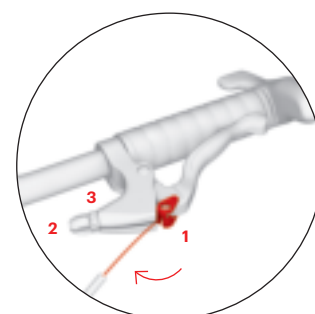
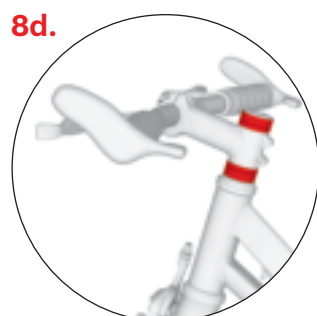
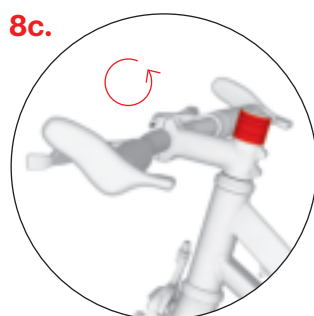
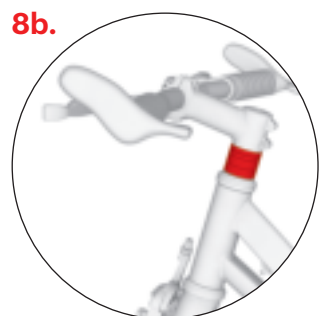
## Montáž zadného kolesa (disc brzda)

Koleso vložte do horného úchytu vidlice, vycentrujte a dotiahnite rýchloupínač. Spodný úchyt vidlice nie je v základnom nastavení kolobežky možné použiť.



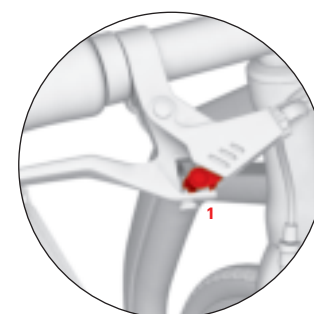
## Nastavenie výšky riadidiel

Uvoľnite skrutky na predstavci a nastavte požadovanú výšku riadidiel pomocou vymedzovacích krúžkov. Pre nastavenie najnižšej polohy pretočte predstavec tak, aby smeroval dolu, pozri obr. 8c.. Po nastavení výšky riadidiel najprv dotiahnite skrutku hlavového zloženia (1), potom bočné skrutky (2, 3).

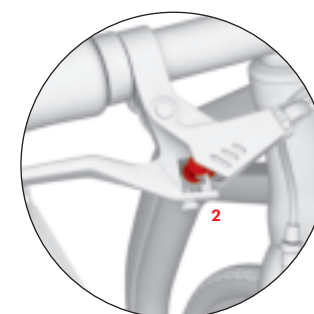


## Montáž brzdových laniek

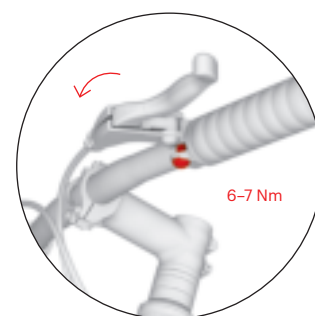
Stlačte brzdovú páčku na maximum a do guľatého oka vložte koniec brzdového lanka (1). Lanko vložte do drážky a utiahnite stavaciu skrutku (2) a maticu (3). Rovnaký postup zopakujte aj s druhou brzdou. Zadné brzdové lanko sa spravidla upevňuje do pravej brzdovej páčky, predné do ľavej.



**Wolfer a Wolfer RS** používajú špeciálne páčky umožňujúce správne prepákovanie podľa typu brzdy. Pokiaľ brzdová páčka brzdí V-brzdu (zadné koleso), je potrebné umiestniť brzdové lanko do polohy (1). Pokiaľ brzdová páčka brzdí prednú brzdou Caliper (predné koleso), je potrebné umiestniť brzdové lanko do polohy (2).

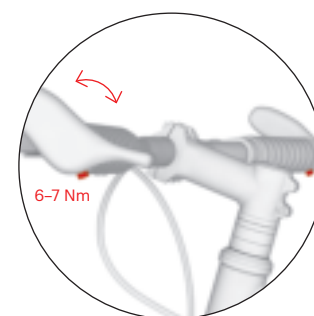


**Nastavenie polohy:** Mierne stlačte brzdovú páčku, aby ste videli na uchytienie brzdového lanka. Otočte poistným čapom a premiestnite uchytienie brzdového lanka do potrebnej polohy. Otočením poistného čapu opäť uzamknite uchytienie brzdového lanka.



## Nastavenie sklonu brzdových páčok

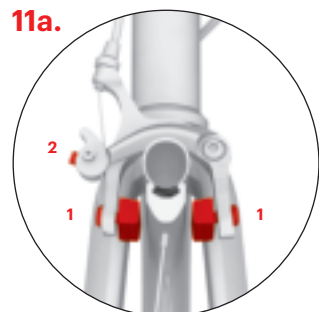
U oboch brzdových páčok povolte upevňovaciu skrutku na objímke. Správny sklon brzdových páčok nastavíte tak, že si stúpnete na stúpadlo, uchopíte riadidlá a natiahnete prsty tak, aby predĺžili priamku ruky. V tejto polohe nastavte páčky a u oboch dotiahnite upevňovaciu skrutku.



Pri modeli **Yedoo Wolfer a Wolfer RS** môžete pomocou upevňovacích skrutiek na obrázku upraviť aj polohu rohov.

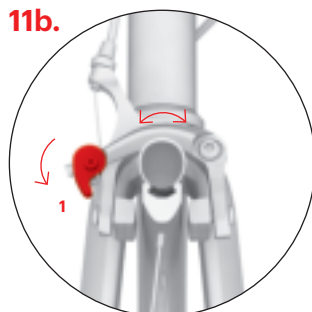


# Návod na montáž

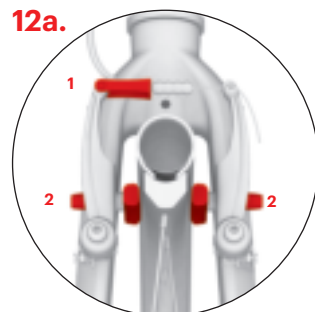


**11a. Nastavenie prednej brzdy – Wolfers a Wolfers RS**

Brzdové špalky by pri zabrzdení mali dosadať celou svojou plochou na bok ráfika. Ak nie, upravte ich polohu pomocou skrutiek, ktorými sú špalky prichytené k ramenám brzdy (1). Špalky sa nesmú dotýkať pláštá a pri uvoľnení brzdovej páčky by sa mali 1–2 mm oddialiť od ráfika. Vzďialenosť špalkov možno upraviť pritiažením alebo uvoľnením brzdového lana v kotevnej skrutke (2).

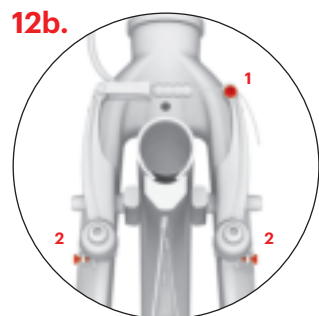


Ak sa koleso pri otáčaní trie o brzdový špalok, pootočte celým brzdovým mechanizmom tak, aby brzdové ramená boli rovnomerne vzdialené od ráfika. Polohu ramien uzamknite otočením páčky smerom dolu (1).



**12a. Nastavenie prednej brzdy – Trexx**

Vložte brzdové lanko naspäť do vodidla (1) a skontrolujte, či brzdové špalky pri zabrzdení dosadajú celou svojou plochou na bok ráfika. Ak nie, upravte ich polohu pomocou skrutiek (2), ktorými sú špalky prichytené k ramenám V-brzdy. Špalky sa nesmú dotýkať pláštá.

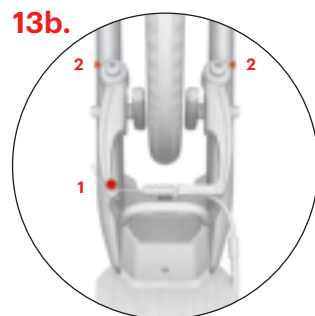


Skontrolujte, či sa špalky pri uvoľnení brzdovej páčky dostatočne oddialia od ráfika (1–2 mm). Vzďialenosť špalkov možno upraviť pritiažením alebo povením brzdového lana v kotevnej skrutke (1). Ak sa koleso pri otáčaní v niektorom mieste trie o brzdový špalok, symetricky upravte vzdialenosť brzdových ramien napínacími skrutkami (2).

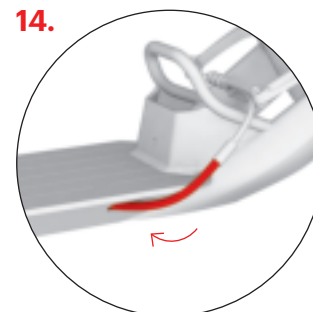


**13a. Nastavenie brzdy (V-brzda)**

Vložte brzdové lanko naspäť do vodidla (1) a skontrolujte, či brzdové špalky pri zabrzdení dosadajú celou svojou plochou na bok ráfika. Ak nie, upravte ich polohu pomocou skrutiek (2), ktorými sú špalky prichytené k ramenám V-brzdy. Špalky sa nesmú dotýkať pláštá.

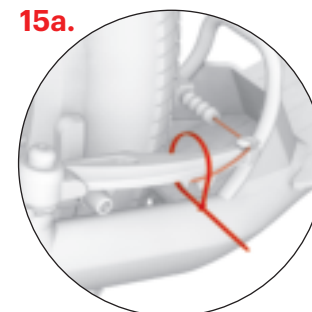


Skontrolujte, či sa špalky pri uvoľnení brzdovej páčky dostatočne oddialia od ráfika (1–2 mm). Vzďialenosť špalkov možno upraviť pritiažením alebo povením brzdového lana v kotevnej skrutke (1). Ak sa koleso pri otáčaní v niektorom mieste trie o brzdový špalok, symetricky upravte vzdialenosť brzdových ramien napínacími skrutkami (2).

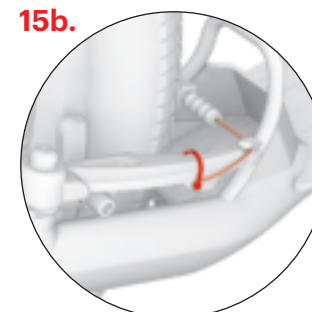


**14. Upravenie bowdenov (V-brzda)**

Polohu bowdenov upravte tak, aby nikde (najmä pri zadnej vidlici) nepresahovali rám kolobežky.

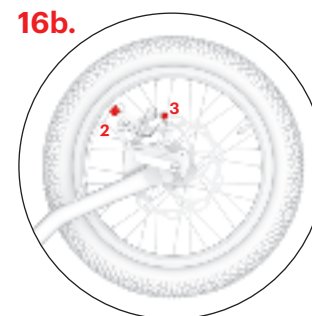


Koniec brzdového lanka zafixujte do zámku a zabezpečte sťahovacou páskou, pásku potom zastrihnite (platí pre prednú aj zadnú brzdú).

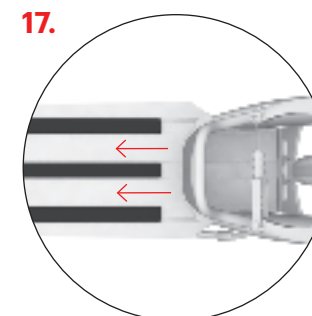


**16a. Nastavenie brzd – Trexx Disc**

Na prednom aj zadnom kolese skontrolujte, či kotúč brzdy pri roztočení kolieska neškrťá o brzdovú platničku. Ak áno, povelte nastavovacie skrutky (1) a nastavte polohu oboch platničiek tak, aby boli po celej svojej ploche rovnobežné s kotúčom, potom nastavovacie skrutky opäť dotiahnite.



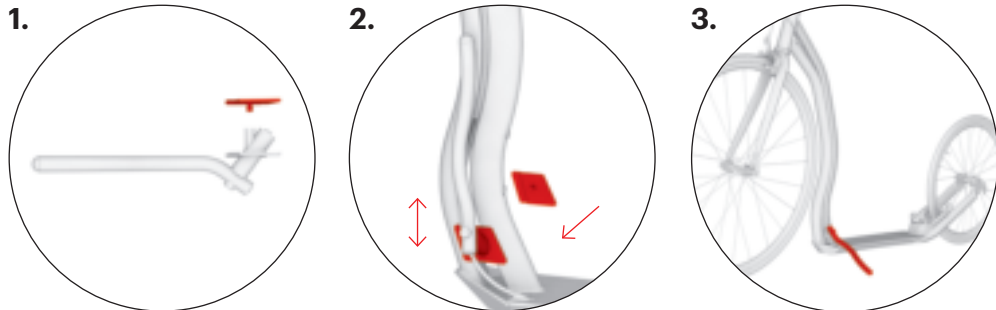
Vzďialenosť brzdových platničiek od kotúča by mala byť čo najmenšia. Nastaví ju môžete pomocou nastavovacieho valčeka (2), ktorý upravuje napätie brzdového lanka. Ak to nestačí, pritiahnite, prípadne povelte lanko v kotviacej skrutke (3).



**17. Protišmykové pásky**

V prípade väčšieho opotrebenia pásky a zníženie protišmykového účinku doporučujeme ich výmenu. Náhradné pásky možno dokúpiť. **Pozor:** Pred aplikáciou stúpadlo dobre očistite a zbavte mastnoty.

# Návod na montáž



## Montáž stojančeka

Stojanček nie je súčasťou balenie, podobne ako ostatné doplnky Yedoo si ho môžete dokúpiť. Viac na [yedoo.cz](http://yedoo.cz).

Stojanček namontujte na mieste, kde je predný profil rámu roztvorený. Výšku upevnenia stojančeka zvolte tak, aby pre daný model poskytla najväčšiu stabilitu. Stojanček by v záložnej polohe nemal presahovať rám kolobežky.

Maximálna nosnosť stojančeka je cca 15 kg. Na zaparkovanú kolobežku nestrupajte.

## Bezpečnostné odporúčania

Kolobežka je v základnej výbave určená pre jazdu za denného svetla v priestoroch určených pre šport a rekreáciu, ideálne na chladkom a suchom povrchu.

Pre jazdu na pozemných komunikáciách a pre jazdu za tmy ju treba vybaviť bezpečnostnými prvkami (svetlami, odrazovými svetlami atď.) v súlade s platnými predpismi v príslušnom štáte. Dodržujte pravidlá cestnej premávky, zásady bezpečnej jazdy a nosite osobné ochranné pomôcky (prilbu, cyklistické rukavice, chrániče kolien a lakťov, pevnú obuv a pod.).

Pred každou jazdou skontrolujte funkčnosť brzd a celkový technický stav kolobežky. Pneumatiky hustite na maximálnu odporúčanú hodnotu tlaku, pozri bočnú stranu plášta. Neprekračujte jej nosnosť. Kolobežka je určená len pre jedného jazdca. Vyvarujte sa preťažovania kolobežky, kolobežka nie je určená pre skoky ani akrobatickú jazdu.

Všetky komponenty znižujúce rýchlosť (brzdové tyčky, ráfiky, pneumatiky a pod.) sa pri používaní zahrievajú, nedotýkajte sa ich, dokým nevychladnú!

## Pokyny pre jazdu

Pri jazde majte vždy obe ruky nariadidlách. Pokiaľ sa jednou nohou odrážate, druhou nohou stojte nastúpadle kolobežky. Pravidelne striedajte odrazovú nohu. Nazabrzdzenie stlačte brzdové páčky nariadidlách. Brzdite pomocou zadnej brzdy, tú ovládate pravou páčkou. Prednú brzdu používajte len pri príbrzdovaní, alebo v prípade núdze. **Pozor:** prudké zabrzdzenie môže spôsobiť pád.

## Údržba

Dobrá údržba zvýši bezpečnosť a predĺži životnosť kolobežky. Preto pravidelne dofahujte skrutkové spoje, kontrolujte stav rýchlopínáčov, tlak v pneumatikách a mažte pohyblivé časti (ložiská kolies a riadidiel, čapy brzdových páčok, čeluste brzd, brzdové lanká atď.).

Dajte však pozor, aby sa mazivo nedostalo na ráfiky a brzdové doštičky. Mastnota znižuje ich účinky! Ak sa tak stane, znečistené časti zbaďte mastnoty napr. technickým benzínom. Pravidelne kontrolujte výšku vzoru na plášťoch kolies a podľa potreby vymeňte plášte za nové so zhodnými parametrami. Kolobežku, ktorá nie je pripravená na použitie, vhodne označte.

Kontrolujte stav samoistiaciach matic (ak sa za jazdy samovoľne uvoľňujú, vymeňte ich za nové).

**Pravidelne kontrolujte výplet kolies, nerovnomerné napnutie drôtov vo výplete môže spôsobiť ich praskanie alebo rozcentrovanie kolies. Dôležité je dodatočné nastavenie novej kolobežky/odrážadla po zábehu, keď dochádza k vzájomnému usadzovaniu dielov (tento čas je individuálny)**

a nemal by presiahnuť 150 km). Zanedbanie môže viesť k zničeniu uvoľnených dielov.

Kolobežku udržiavajte v čistote, zašpinenie utrite vlhkou handrou. Skladujte ju vnútri na suchom a tienistom mieste, dlhodobo ju nevystavujte zvýšenej vlhkosti ani extrémnym teplotám. V prípade dlhodobého uskladnenia, napríklad pri zázimovaní, udržiavajte pneumatiky dostatočne nahustené alebo kolobežku zaveste tak, aby nedochádzalo k ich zatažovaniu.

Výrobok spĺňa príslušné normy EÚ (ČSN EN 14619 ŠPORTOVÁ POTREBA) a získal certifikáty kvality a bezpečnosti od popredného českého skúšobného ústavu (Strojárske skúšobný ústav, s. p.).

Výrobca a dovozca v EÚ INTREA-PIKO, s.r.o., Sasanková 2657/2, 106 00 Praha 10, Česká republika, [www.yedoo.eu](http://www.yedoo.eu).

## Uplatnenie práv pri nedostatočnej kvalite

### Všeobecné ustanovenia

Obsah, rozsah a trvanie práv kupujúceho pri nedostatočnej kvalite tovaru sa riadia platnými právnymi predpismi Českej republiky, predovšetkým príslušnými ustanoveniami občianskeho zákonníka (z. č. 89/2012 Zb.) a zákona o ochrane spotrebiteľa (z. č. 634/1992 Zb.). Práva kupujúceho podľa týchto predpisov nie sú týmto dokladom, ani v ňom uvedenými informáciami nijako porušené.

### Lehota na uplatnenie práva pri nedostatočnej kvalite

Právo pri nedostatočnej kvalite u novo zakúpenej kolobežky Yedoo (ďalej len tovar) môže kupujúci uplatniť v lehote 36 mesiacov od jej prevzatia. Ak kupujúci oprávnené vytkne nedostatočnú kvalitu, do lehoty na uplatnenie práva pri nedostatočnej kvalite sa nepočíta čas, počas ktorého kupujúci nemohol tovar používať.

### Spôsob uplatnenia práva pri nedostatočnej kvalite

Právo pri nedostatočnej kvalite sa uplatňuje u predajcu, u ktorého kupujúci tovar kúpil (pozri údaje nižšie). Pri uplatnení práva pri nedostatočnej kvalite odporúčame predložiť tento doklad, doklad o kúpe a kompletnú, nečistú zbavenú kolobežku. O uplatnenie práva pri nedostatočnej kvalite, prípadne o vykonaní opravy vystaví predajca kupujúcemu písomné potvrdenie.

### Podmienky trvania práva z nedostatku kvality

Pri montáži kolobežky treba dodržať pokyny uvedené v návode na montáž. Kolobežku možno používať iba na účel, na aký bola vyrobená. Kolobežku treba skladovať a udržiavať podľa pokynov výrobcu. Na poruchy spôsobené výlučne nesprávnou montážou alebo používaním kolobežky v rozpore s užívateľskou príručkou sa zodpovednosť výrobcu nevzťahuje.

Model kolobežky:

Výrobné číslo rámu:

Dátum predaja:

Predajca:

Pečiatka a podpis:

# Introduction

Nous vous recommandons de confier le montage, le réglage et l'entretien régulier à un spécialiste du vélo. Les interventions incorrectes peuvent entraîner un endommagement de la trottinette ou un accident avec des conséquences graves pour la santé.

Cependant, si vous êtes doué pour la technique, ne craignez rien et lancez-vous dans le montage avec nous.

Veuillez nous envoyer vos questions, commentaires et suggestion pour améliorer nos produits à l'adresse e-mail : [info@yedoo.cz](mailto:info@yedoo.cz).

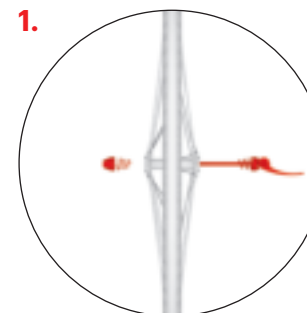
Les châssis des trottinettes Yedoo sont protégés par des modèles industriels communautaires, les noms commerciaux sont protégés par des marques déposées.

Pour davantage d'informations sur le monde des draisienues et la liste des distributeurs : [www.yedoo.eu](http://www.yedoo.eu).

# Notice de montage

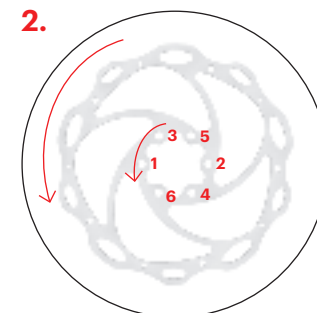
Le procédé d'assemblage est le même pour tous les modèles, il ne diffère que par certains détails – voir les dessins additionnels.

Lors du serrage des vis, ne dépassez pas le couple de serrage indiqué.



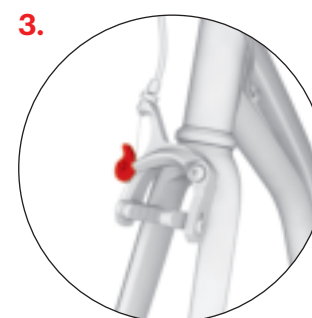
Montage des roues avant et arrière

Insérez dans la roue l'attache rapide de sorte que des deux côtés soit un ressort se rétrécissant vers le centre de la roue. Si les axes à serrage rapide sont de différente longueur, utiliser l'axe plus court pour la roue arrière.

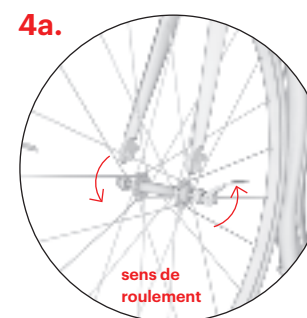


Freins à disque – Trexx Disc

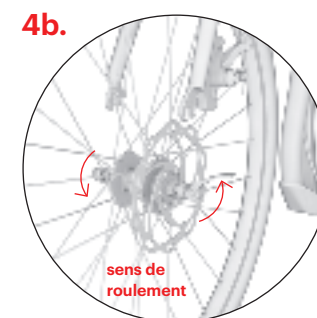
Placez les disques de freins emballés séparément sur le moyeu des roues. Montez le rotor des freins à disque de sorte que la flèche représentée sur le rotor corresponde à la rotation des roues. Vissez le rotor sur le moyeu en utilisant la clé fournie (torx). Lors du resserrage des vis, veuillez à bien respecter l'ordre indiqué sur les dessins.



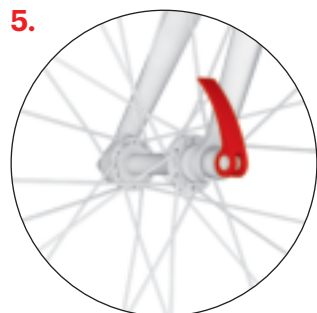
Assurez-vous d'abord que la fourche avant de la trottinette est orientée dans la bonne direction (les bras de frein V-Break sont orientés vers l'avant). En ce qui concerne les modèles Wolfer et Wolfer RS, desserrez légèrement les mâchoires de frein en tournant légèrement les leviers.



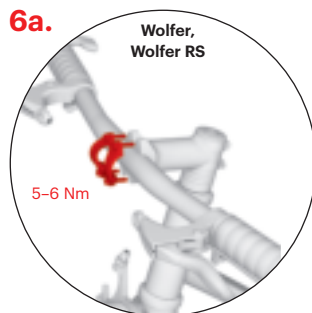
Insérez la roue dans la fourche avant de sorte qu'elle soit exactement au milieu. **Attention :** La sculpture de la bande de roulement des pneus devrait être orientée vers l'avant dans le sens de roulement, voir la flèche de direction sur le flanc du pneu.



# Notice de montage

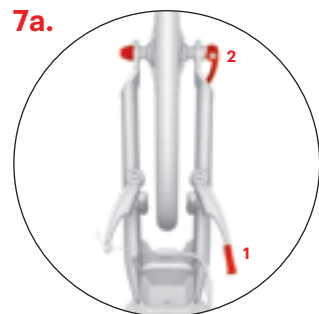
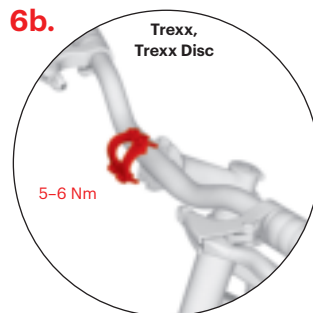


Resserrez l'écrou de réglage de l'attache rapide de sorte que vous sentiez juste avant de la fermeture de l'attache rapide une résistance sensible. Fermez l'attache dans une telle position qu'elle ne touche pas la fourche et en même temps que son ouverture accidentelle lors de l'utilisation soit empêchée.



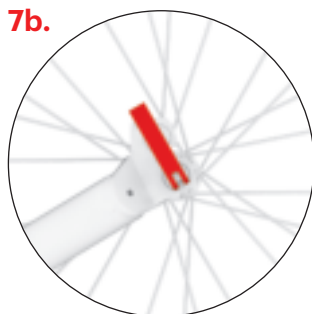
## Installation des guidons

Positionnez les guidons sur la potence et serrez les vis du manchon. Les inscriptions sur les guidons (qui ne sont pas représentées sur le dessin) devraient être lisibles en regardant de face.

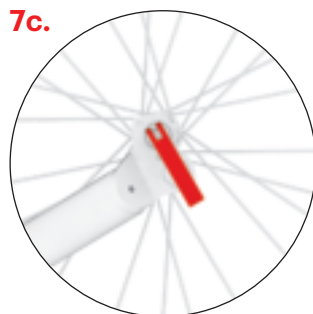


## Montage de la roue arrière (V-brake)

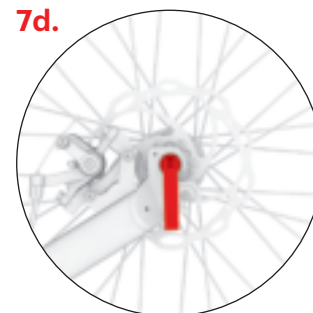
Libérez le câble de frein du guide (1), insérez la roue dans une de deux supports de la fourche, voir les dessins 7b., 7c., centrez la roue et resserrez l'attache rapide (2).



La fourche arrière à deux positions permet d'ajuster la hauteur du repose-pied au-dessus du sol. Le support supérieur de la fourche qui diminue la hauteur du repose-pied et en même temps fait soulager la jambe d'appui est conçu pour l'utilisation sur une surface plane. La conduite sera moins difficile physiquement. Fermez l'attache rapide de sorte qu'elle soit orientée vers le bas.

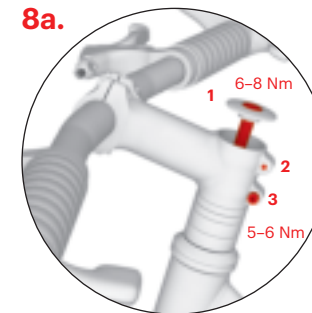


Utilisez le support inférieur pour une conduite plus sportive. Fermez l'attache rapide de sorte qu'elle soit orientée vers le haut.



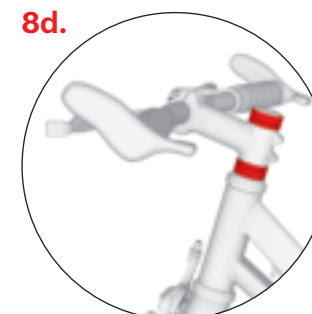
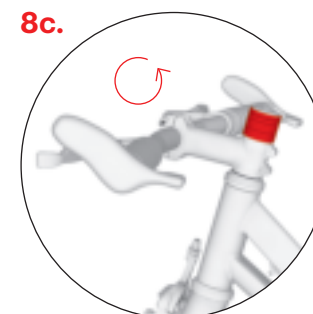
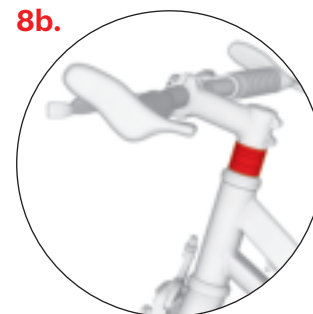
## Montage de la roue arrière (frein à disque)

Insérez la roue dans le support supérieur de la fourche, centrez-la et resserrez l'attache rapide. Il n'est pas possible d'utiliser le support de fourche inférieur dans le montage de base de la trottinette.

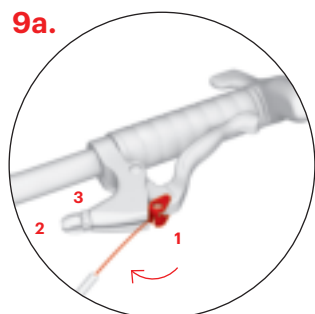


## Ajustement de la hauteur des guidons

Desserrez les vis sur la potence et ajustez la hauteur désirée des guidons. À l'aide des bagues de centrage. Pour ajuster la position la plus basse, tournez la potence de sorte qu'elle soit orientée vers le bas, voir le dessin 8c.. Pour ajuster la hauteur des guidons resserez d'abord la vis de plongeur (1), ensuite les vis latérales (2, 3).

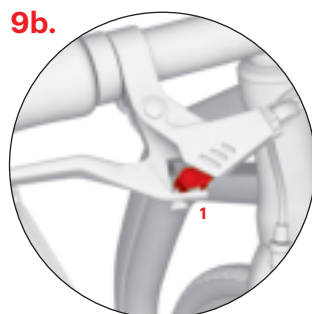


# Notice de montage

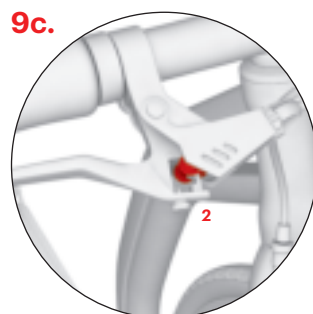


## Appuyez la manette de frein au

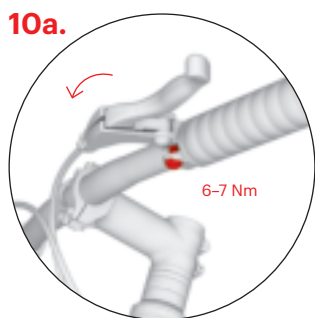
maximum et insérez dans l'oeillet rond (1) l'extrémité du câble de frein. Insérez le câble dans la rainure et serrez la vis sans tête (2) et l'écrou (3). Répétez la même procédure aussi avec le second frein. Le câble de frein arrière est d'habitude fixé dans la manette de frein droite, celui de l'avant dans la manette de frein gauche.



**Wolfer a Wolfer RS** utilisent des leviers spécifiques qui permettent deux types de réglage selon le type de freins. Si le levier de frein freine la roue en V (roue arrière) il est nécessaire de placer le câble de frein en position (1). Si le levier de frein active le frein avant (roue avant) il est nécessaire de placer le câble de frein en position (2).

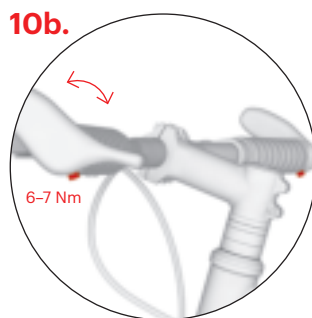


**Réglage de la position :** Appuyez délicatement sur le levier de frein pour voir la fixation du câble de frein. Tournez la goupille de verrouillage et placez la fixation du câble de frein dans la position voulue. Verrouillez de nouveau la fixation du câble de frein en tournant de nouveau la goupille de verrouillage.

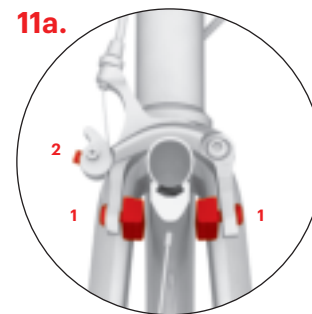


## Ajustement de l'inclinaison des manettes de frein

Desserrez légèrement la vis de fixation sur le manchon des deux manettes de frein. Ajustez la bonne inclinaison des manettes de frein en vous montant sur le repose-pied , en saisissant les guidons et en étendant les doigts de sorte qu'ils prolongent la ligne de la main. Ajustez les manettes dans cette position et resserrez la vis de fixation des deux manettes.

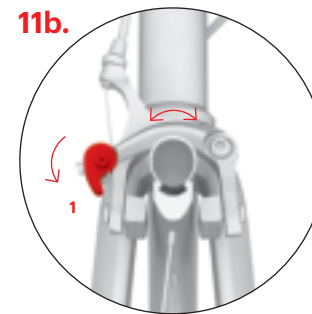


Pour le modèle **Yedoo Wolfer et Wolfer RS**, vous pouvez ajuster aussi la position des cornes du cintre à l'aide des vis de fixation.

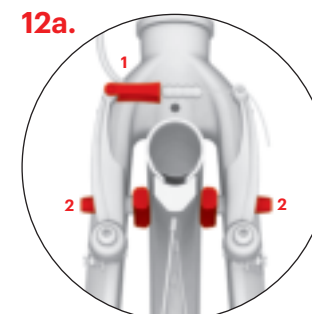


## Réglage du frein avant – Wolfer, Wolfer RS

Lors du freinage, les patins de frein devraient s'appuyer par toute leur surface sur le flanc de la jante. Si ce n'est pas le cas, ajustez leur position à l'aide de la vis qui assure la fixation des patins de frein aux bras du frein (1). Les patins ne doivent pas toucher la bande de roulement et lors de la libération de la manette de frein ils devraient s'écarter de la jante de 1-2 mm. La distance des patins peut être ajustée en resserrant ou en desserrant le boulon d'ancrage du câble de frein (2).

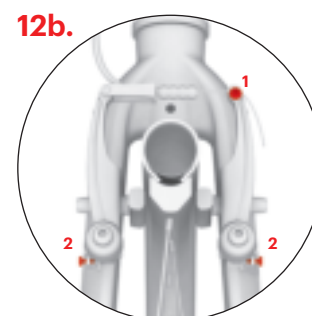


Si la roue en tournant entre en contact avec le patin de frein, tournez légèrement le mécanisme de frein de sorte que les bras de frein soient écartés de la jante d'une distance identique. Les bras seront bloqués dans cette position en tournant le levier vers le bas (1).

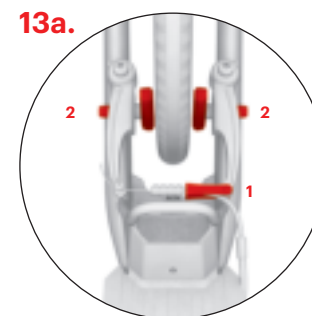


## Réglage du frein avant – Trexx

Réinsérez le câble de frein dans le guide (1) et vérifiez si lors du freinage les patins de frein s'appuient par toute leur surface sur le flanc de la jante. Si ce n'est pas le cas, ajustez leur position à l'aide de la vis (2), qui assure la fixation des patins de frein aux bras du frein V-brake. Les patins ne doivent pas toucher la bande de roulement.

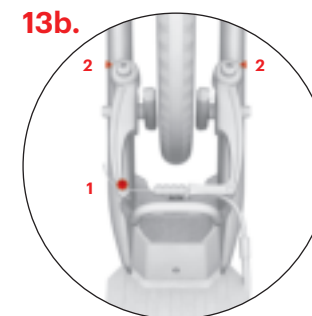


Vérifiez si les patins s'écartent suffisamment de la jante (1-2 mm) lors de la libération de la manette de frein. La distance des patins peut être ajustée en resserrant ou en desserrant le boulon d'ancrage du câble de frein (1). Si la roue en tournant entre en contact avec le patin de frein, ajustez de manière symétrique la distance des bras de frein à l'aide des vis de tension (2).



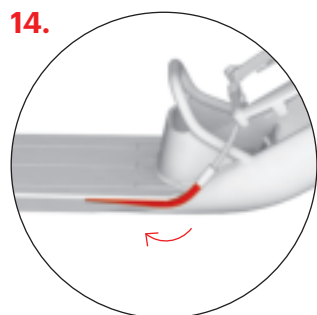
## Régage du frein arrière (V-brake)

Régage du frein arrière et identique Réinsérez le câble de frein dans le guide (1). Vérifiez si lors du freinage les patins de frein s'appuient par toute leur surface sur le flanc de la jante. Si ce n'est pas le cas, ajustez leur position à l'aide de la vis (2) qui assure la fixation des patins de frein aux bras du frein V-brake. Les patins ne doivent pas toucher la bande de roulement.



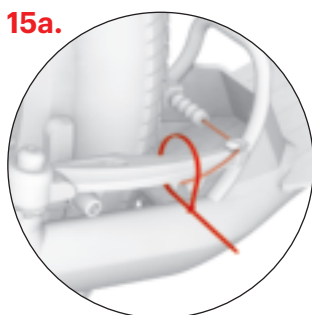
Vérifiez si les patins s'écartent suffisamment de la jante (1-2 mm) lors de la libération de la manette de frein. La distance des patins peut être ajustée en resserrant ou en desserrant le boulon d'ancrage du câble de frein (1). Si la roue en tournant entre en contact avec le patin de frein, ajustez de manière symétrique la distance des bras de frein à l'aide des vis de tension (2).

# Notice de montage

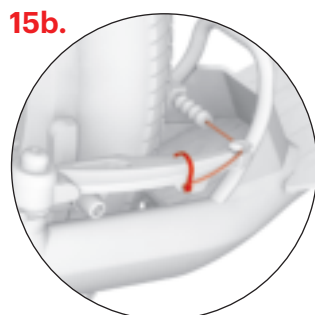


## Ajustement des bowdens (V-brake)

Ajustez la position des bowdens de manière qu'ils ne dépassent nullepart (en particulier pour la fourche arrière) le cadre de la trottinette.



Fixer l'extrémité du câble de frein dans le verrou et la serrer ensuite avec un collier serre-câble. Couper le bout du collier qui dépasse.

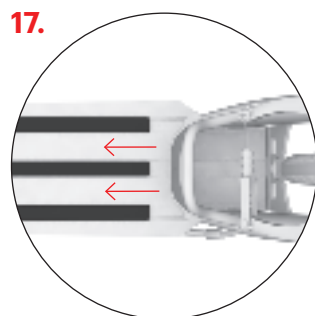


## Réglage des freins – Trexx Disc

Sur les roues avant et arrière, vérifiez que le disque de frein ne frotte pas contre le patin de frein lorsque la roue tourne. Si c'est le cas, desserrez légèrement les vis de réglages (1) et ajustez la position des deux patins de sorte à ce qu'ils soient parallèles à toute la surface du disque avant de serrer de nouveau les vis de réglage.



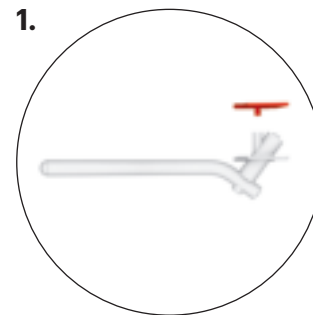
La distance entre les patins de freins et le disque doit être minimale. Vous pouvez l'ajuster à l'aide du rouleau de réglage (2), qui règle la tension du câble de frein. Si ce n'est pas suffisant, resserrez ou éventuellement desserrez le câble à l'endroit du boulon d'accroche (3).



## Bandes antidérapantes

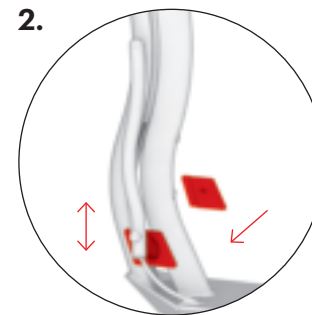
Nous vous recommandons de remplacer les bandes si elles sont trop usées et que leur efficacité antidérapante s'amoindrit. Il est possible d'acheter des bandes de remplacement. Plus d'informations sur [yedoo.eu](http://yedoo.eu).

**Attention :** Nettoyez soigneusement et dégraissez avant de passer à l'étape de l'application.

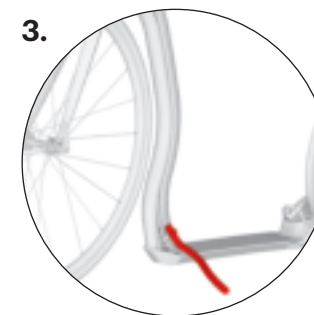


## Montage de la béquille

La béquille ne fait pas partie du kit, vous pouvez l'acheter, ainsi que d'autres accessoires Yedoo. Plus d'informations sur [yedoo.cz](http://yedoo.cz).



Installez la béquille dans l'endroit, où s'ouvre le profil avant du cadre. Sélectionnez la hauteur de fixation de la béquille de manière qu'elle fournisse au modèle concret la plus grande stabilité. Dans la position conçue pour l'utilisation, la béquille ne devrait pas dépasser le cadre de la trottinette.



La capacité de charge maximale de la béquille est d'environ 15 kg. Ne pas monter sur la trottinette garée.

## Recommandations de sécurité

Dans sa configuration de base la trottinette est conçue pour une utilisation en plein jour, dans les espaces désignés pour le sport et les loisirs, idéalement pour l'usage sur une surface plane et sèche.

Pour la conduite sur les voies publiques et pour la conduite la nuit vous devez l'équiper des éléments de sécurité (phares, réflecteurs etc.) conformément à la législation en vigueur de votre pays. Respectez le code de la route, les principes de conduite en toute sécurité et portez les équipements de protection (casque, gants de vélo, protections aux genoux et aux coudes, chaussures solides etc.).

Avant toute utilisation, vérifiez le fonctionnement des freins et l'état technique de la trottinette. Gonflez les pneus à la valeur maximale recommandée de pression, voir le flanc de la bande de roulement. Ne dépassez pas sa capacité de charge. La trottinette est conçue seulement pour un utilisateur. Évitez la surcharge de la trottinette, la trottinette ne convient pas pour les sauts ni pour un usage acrobatique.

Tous les composants diminuant la vitesse (patins de frein, jantes, pneus, etc.) se réchauffent lors de leur utilisation, ne les touchez pas avant qu'ils ne soient refroidis !

## Instructions d'utilisation

Lorsque vous conduisez, gardez toujours les deux mains sur le guidon. Tout en vous donnant de l'élan avec une jambe, tenez vous debout sur la marche de la trottinette de l'autre. Alternez régulièrement votre jambe porteuse. Pour freiner, appuyez sur les leviers de freins situés sur le guidon. Freinez à l'aide du frein arrière, habituellement contrôlé par le levier droit. N'utilisez le frein avant que si vous souhaitez freiner très légèrement ou en cas d'urgence. **Attention** : un freinage brusque peut entraîner une chute.

## Entretien

Un entretien correct augmentera la sécurité et prolongera la durée de vie de votre trottinette. Pour cette raison, resserrez régulièrement les vis, vérifiez l'état des attaches rapides, la pression des pneus et graissez les pièces mobiles (roulements des roues et des guidons, axes des manettes de frein, mâchoirs de freins, câbles de frein etc.).

Faites attention à ce que la graisse n'atteigne par les jantes et les patins de frein. La graisse réduit leur effet ! Si cela se produit, dégraissez les zones encrassées par ex. à l'aide de la benzine technique. Vérifiez régulièrement la hauteur de sculpture de la bande de roulement, le cas échéant remplacer les pneus pour de nouveaux pneus ayant les paramètres identiques. Désignez la trottinette qui n'est pas convenable à l'usage de manière appropriée.

Vérifiez l'état des écrous autobloquants (si elles se dégagent spontanément lors de l'usage, remplacez-les par de nouveaux écrous).

**Vérifiez régulièrement le rayonnage des roues, une tension inégale des rayons peut provoquer leur rupture ou entraîner un décentrage des roues. Il est important d'effectuer un dernier réglage de la nouvelle trottinette après sa période de rodage, lorsque les différentes pièces détachées se sont bien articulées les unes aux autres (cette période dépend des individus mais elle ne devrait pas excéder les 150 km effectués). Le non-respect de cette consigne peut entraîner la détérioration des pièces détachées.**

Garez votre trottinette dans un endroit propre, ôtez la poussière qui peut s'y déposer à l'aide d'un chiffon humide. Conservez-la dans un endroit sec et ombragé, ne l'exposez pas une humidité

élevée ou à des températures extrêmes. Si vous devez la conserver longtemps sans l'utiliser, par exemple pendant l'hiver, maintenez ses pneus suffisamment gonflés ou bien suspendez la trottinette pour qu'elle ne pèse pas sur eux.

Le produit est conforme aux normes pertinentes de l'UE (ČSN EN 14619 ÉQUIPEMENT DE SPORT) et il a reçu des certificats de qualité et de sécurité de la part du principal institut tchèque d'essai (Strojirenský zkušební ústav, s. p. (Institut d'essais mécaniques)).

Fabricant et importateur à l'UE : INTREA – PIKO, s.r.o., Sasanková 2657/2, 106 00 Praha 10, République tchèque, www.yedoo.cz.

## Exercice des droits découlant de l'exécution défectueuse d'une prestation

### Dispositions générales

Le contenu, l'étendue et la durée des droits de l'acheteur qui découlent de l'exécution défectueuse d'une prestation relative aux marchandises sont régis par les lois en vigueur de la République tchèque, notamment par les dispositions pertinentes du Code civil (loi n° 89/2012 du Recueil des lois) et de la loi sur la protection du consommateur (loi n° 634/1992 du Recueil des lois). Les droits de l'acheteur conformément à ces dispositions législatives ne sont aucunement affectés par le présent document ni par les informations y figurant.

### Délai pour faire valoir les droits découlant de l'exécution défectueuse d'une prestation

Le droit associé à la nouvelle trottinette Yedoo présentant un défaut (ci-après la marchandise) peut être exercé par l'acheteur au cours des 36 mois à compter de sa reprise. Si l'acheteur réclame le défaut de marchandise de manière justifiée, le délai pour exercer les droits découlant de l'exécution défectueuse cesse à courir pour la période pendant laquelle l'acheteur ne peut pas utiliser la marchandise.

### Modalité d'exercice des droits découlant de l'exécution défectueuse d'une prestation

Les droits découlant de l'exécution défectueuse d'une prestation doivent être exercés auprès du vendeur qui a vendu à l'acheteur la marchandise (voir les données ci-dessous). Lors de l'exercice des droits associés au défaut de marchandise, nous recommandons de présenter le présent document, le justificatif d'achat et la trottinette complète, bien nettoyée. Le vendeur établit une confirmation écrite pour l'acheteur sur l'exercice des droits associés à l'exécution défectueuse d'une prestation, éventuellement sur la réparation effectuée.

### Conditions de la durée des droits découlant de l'exécution défectueuse d'une prestation

Lors du montage de la trottinette les instructions figurant dans la notice de montage doivent être respectées. La trottinette doit être utilisée exclusivement dans le but, pour lequel elle a été conçue. La trottinette doit être stockée et entretenue conformément aux instructions du fabricant. La responsabilité du fabricant ne s'applique pas aux défauts causés exclusivement par un montage ou usage incorrect de la trottinette, en conflit avec le mode d'emploi.

### Modèle de la trottinette :

### No de série du cadre :

### Date de vente :

### Vendeur :

### Cachet et signature :

# Yedoo Wolfer



# Yedoo Wolfer RS







