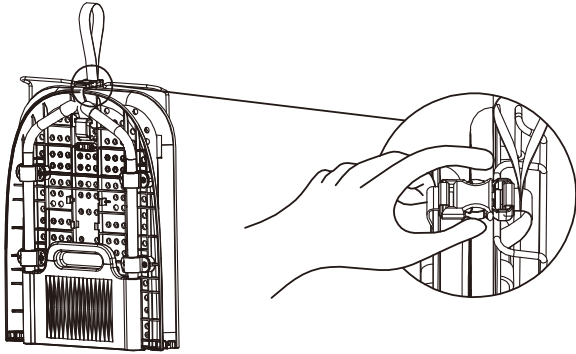


ASSEMBLY INSTRUCTIONS

ITEM: P1232D4-16

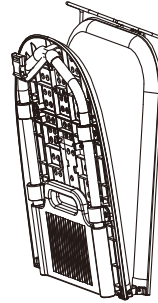
Unfold the ironing board

Step 1



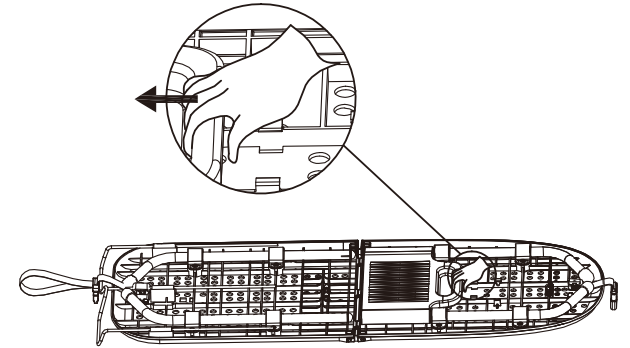
Unbuttoning

Step 2



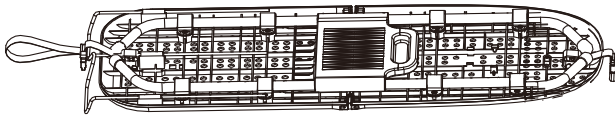
Open the product

Step 3



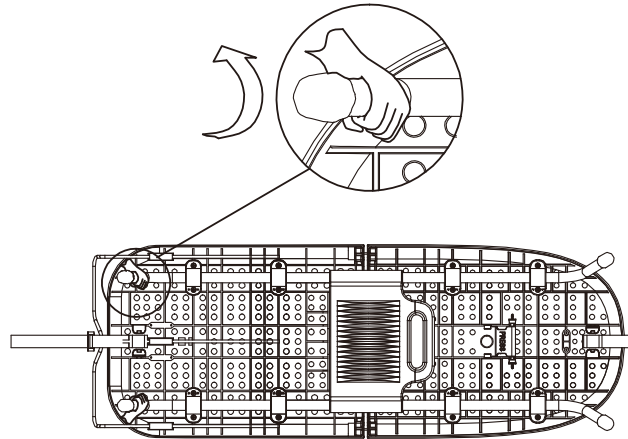
Push the pusher to the left to connect the two panels

Step 4



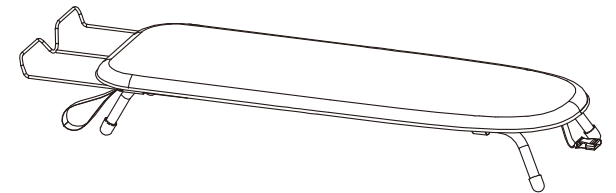
Pusher has two panels connected

Step 5



Turn over four feet

Step 6



Turn the product over and pull away the wire ironing tray