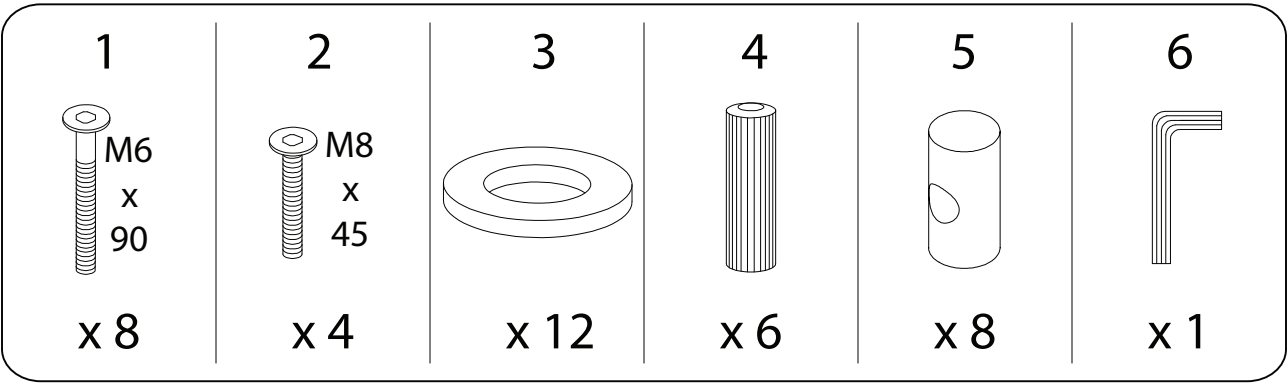
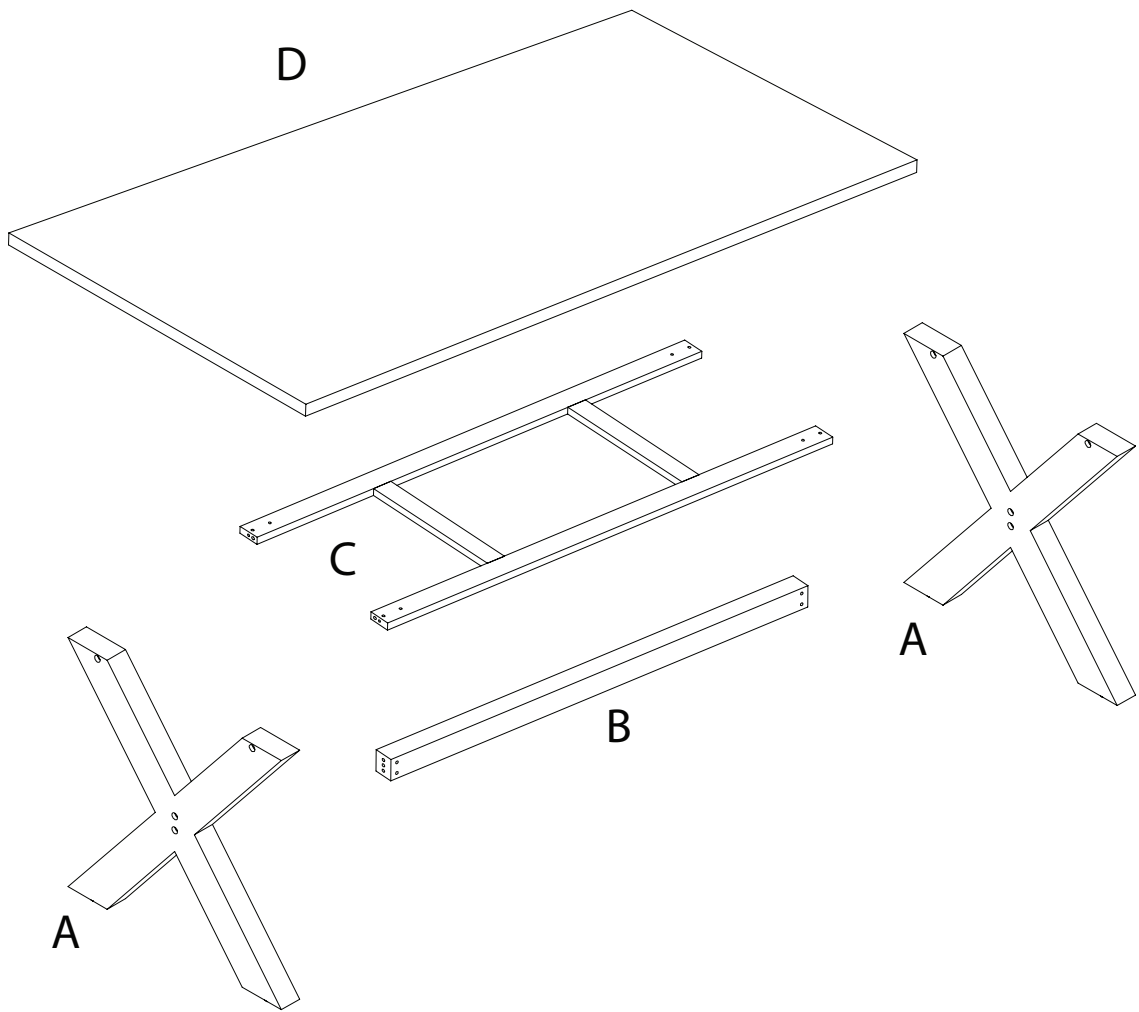
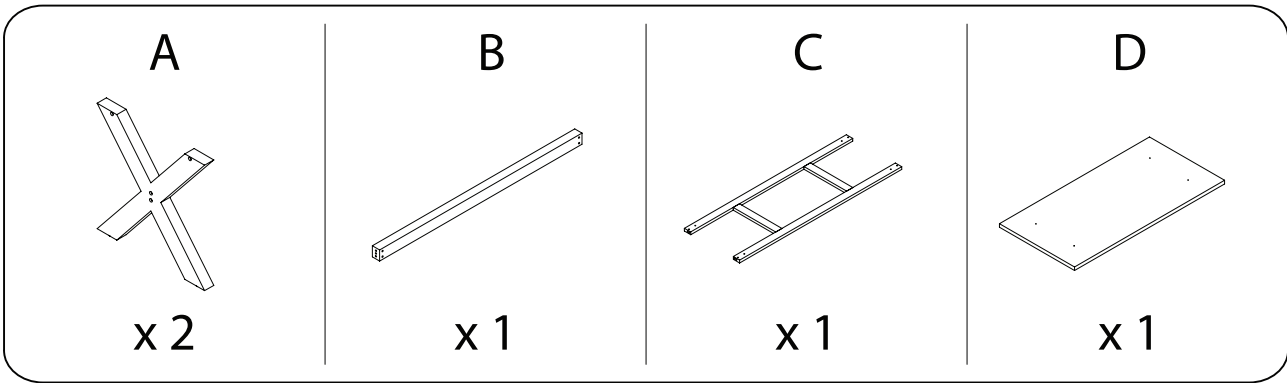


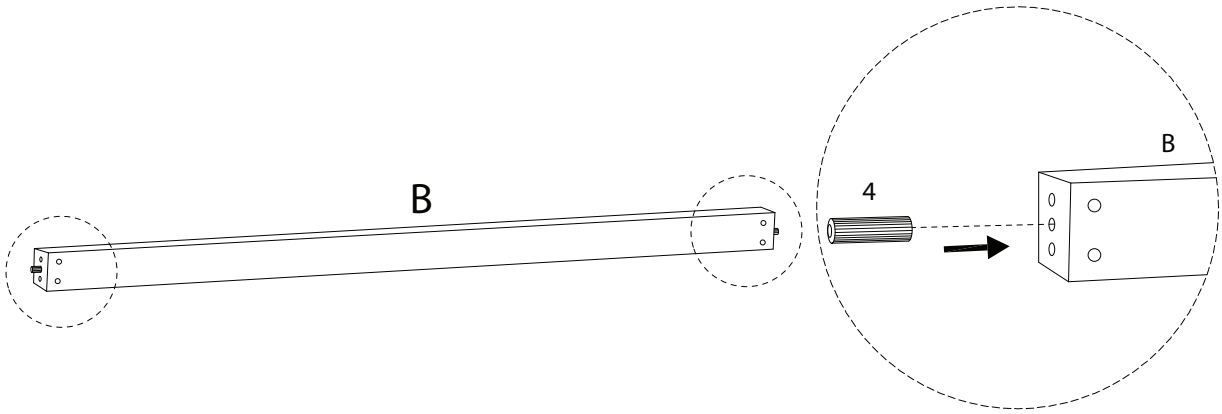
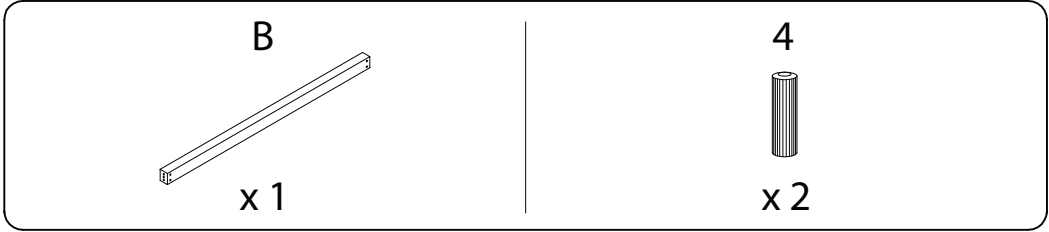
Assembly instructions for the table legs, including safety warnings, a 30-minute time limit, and a requirement for two people.

The instructions are organized into two rows, each with a warning icon (a triangle with an exclamation mark) and a corresponding icon:

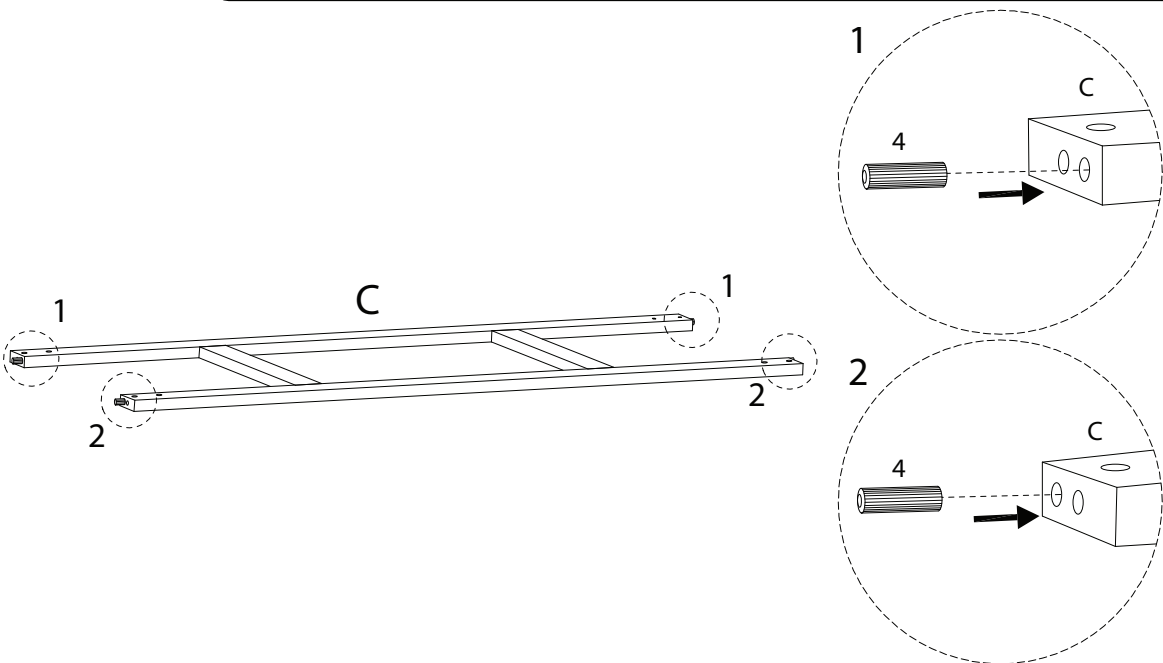
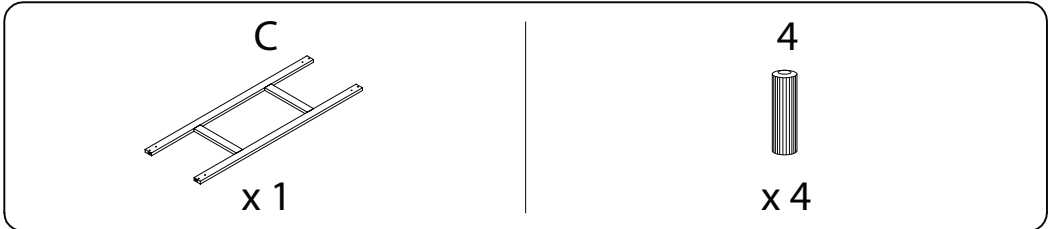
- Top Row:** A warning icon is positioned to the right of a box containing an L-shaped metal bracket and a crossed-out power drill icon. To the right of this box is a clock icon with the text "30'" below it.
- Bottom Row:** A warning icon is positioned to the right of a box containing a rectangular block being placed on a surface and a crossed-out block being lifted. To the right of this box is a person icon with the number "2" below it.



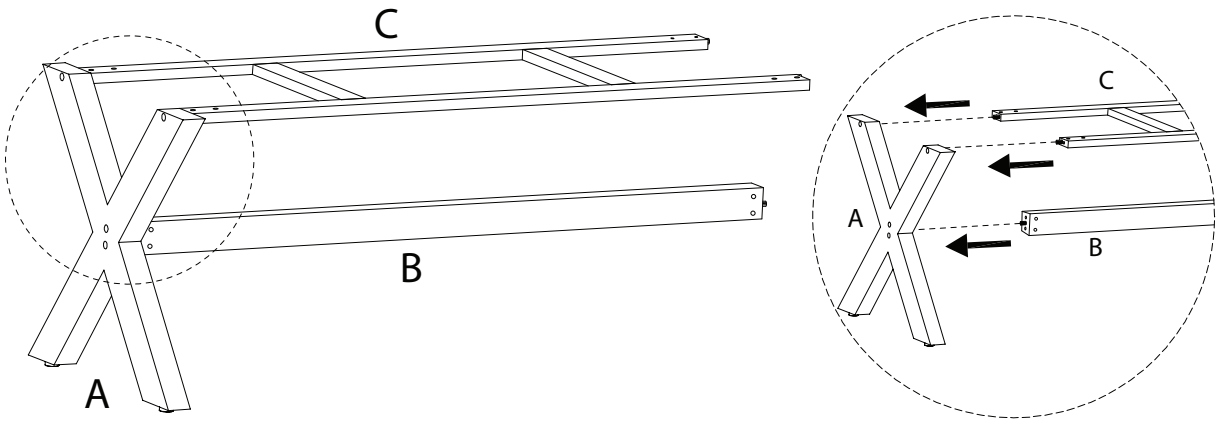
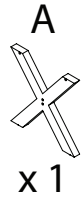
1



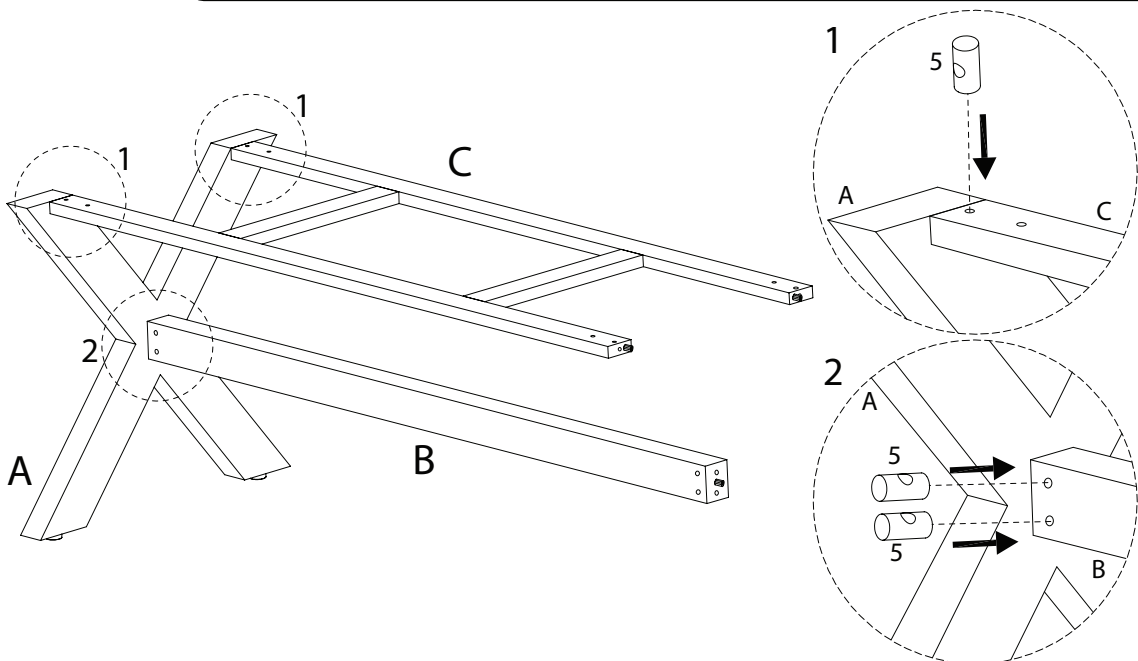
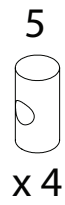
2



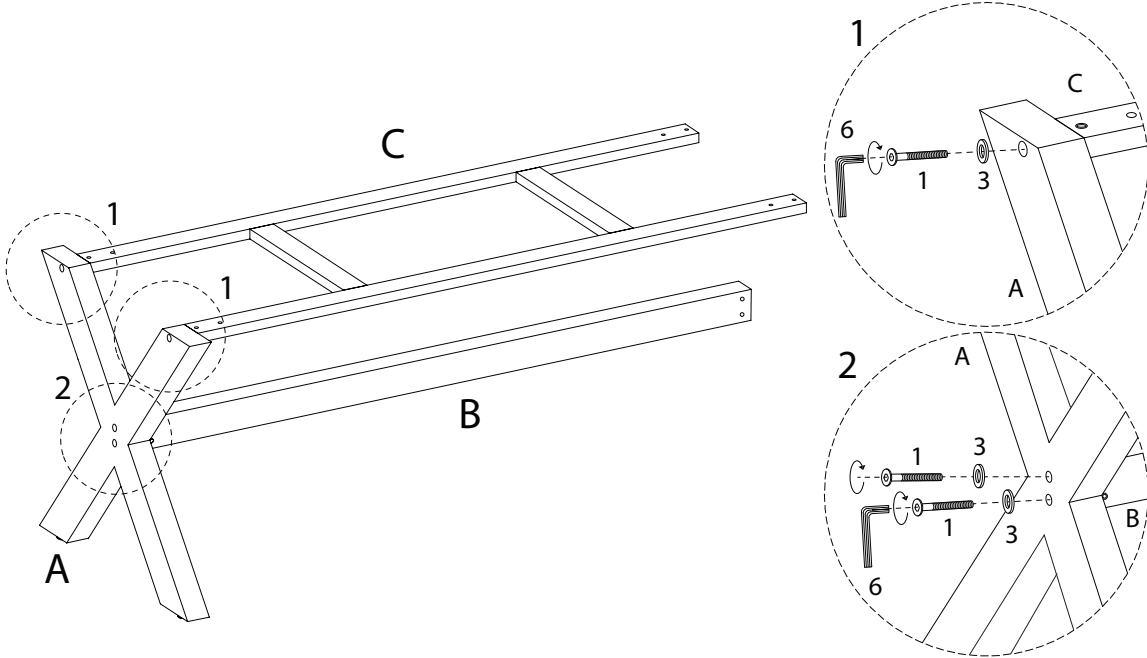
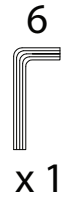
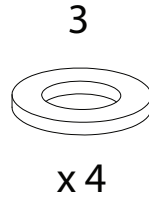
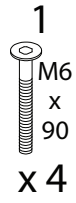
3



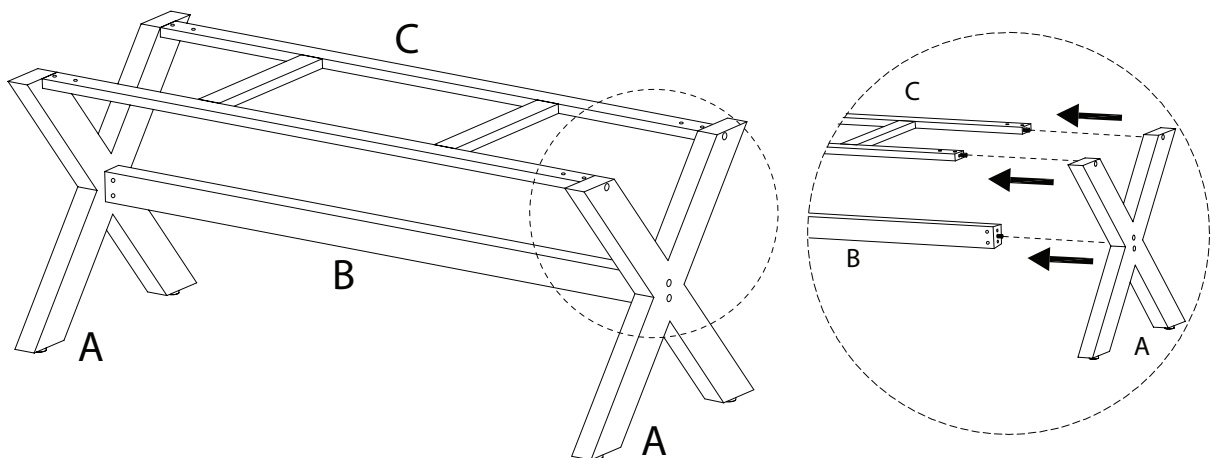
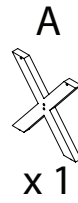
4



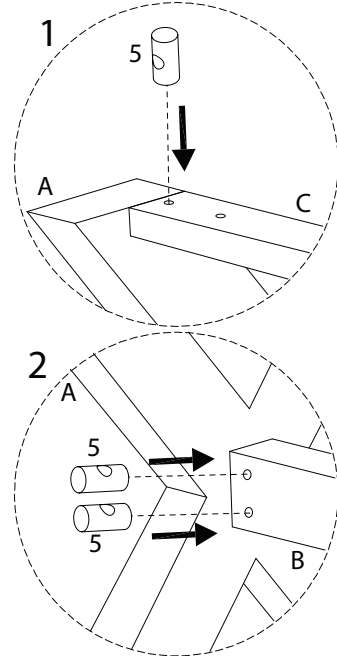
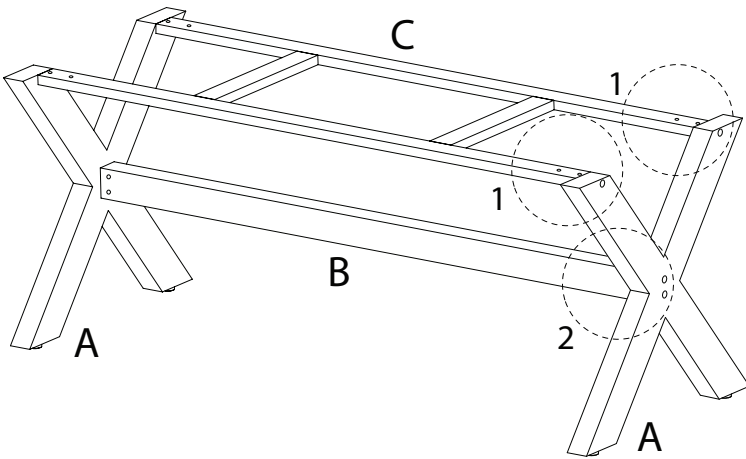
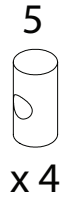
5



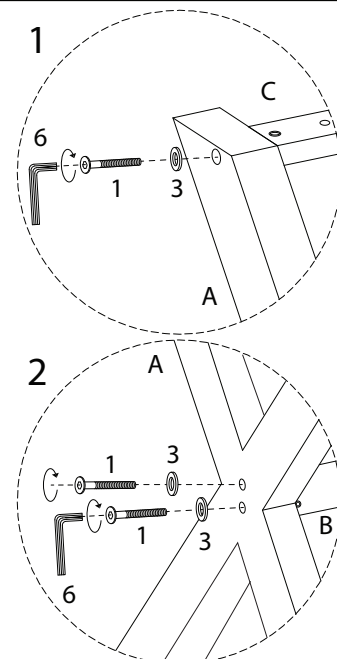
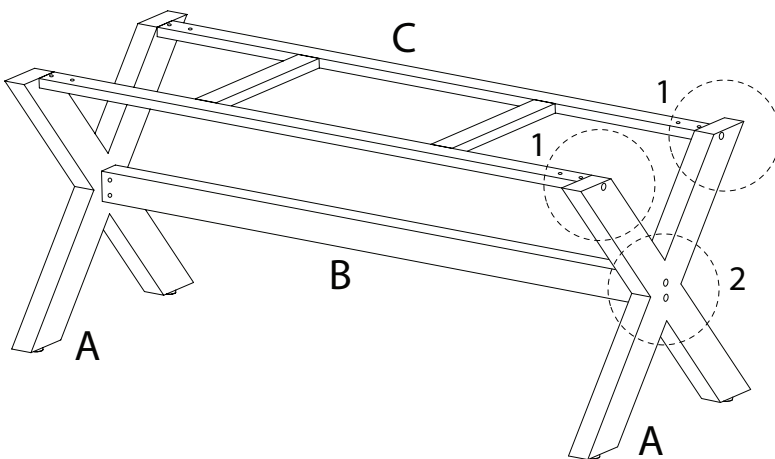
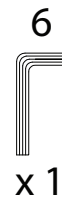
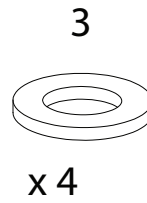
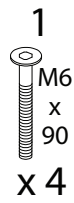
6



7



8



9

